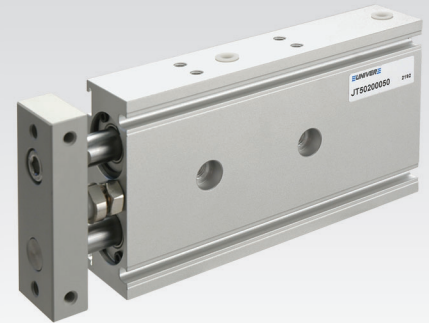


# JTE

## Ø 6 ÷ 32 mm - Twin Rod Guided Cylinder

- Compact in width and length with precision guidance
- High lateral loads can be applied on both unit models
- Non rotation
- Magnetic as standard



### TECHNICAL CHARACTERISTICS

|                     |   |           |             |
|---------------------|---|-----------|-------------|
| Ambient temperature | -5 ÷ 60 °C                                |           |             |
| Fluid               | filtered air, with or without lubrication |           |             |
| Working pressure    | Ø6  | Ø10-15    | Ø20-25-32   |
|                     | 1,5 ÷ 7 bar                               | 1 ÷ 7 bar | 0,5 ÷ 7 bar |
| Bores               | Ø 6 - 10 - 15 - 20 - 25 - 32 mm           |           |             |
| Cushionings         | elastic buffers                           |           |             |

### CONSTRUCTIVE CHARACTERISTICS

|                      |   |
|----------------------|---|
| Body                 | aluminium   |
| Piston               | aluminium   |
| Piston rod           | chromium-plated steel C45                                   |
|                      | chromium-plated stainless steel AISI 303 (JTEV Ø6-10-15-20) |
| Guide bearing        | bearings (JTES) ball bushing (JTEV)                         |
| Piston seals         | nitrile rubber  |
| Plate                | aluminium   |
| Shock absorber seals | nitrile rubber in both sides                                |
| Magnet               | standard supplied   |

### CODIFICATION KEY

|   |   |   |   |   |   |   |   |   |   |   |
|---|---|---|---|---|---|---|---|---|---|---|
| J | T | E | S | 0 | 1 | 0 | 0 | 0 | 1 | 0 |
| 1 |   | 2 |   | 3 |   |   | 4 |   |   |   |

| 1 Series                                     | 2 Type                           | 3 Bore (mm)                        |                                     |   | 4 Stroke (mm)   |  |  |
|--|----------------------------------|------------------------------------|-------------------------------------|---|---|--|--|
| JTE = Ø 6 ÷ 32 mm - Twin Rod Guided Cylinder | S = Bearings<br>V = Ball bushing | 006 = Ø6<br>010 = Ø10<br>015 = Ø15 | 020 = Ø20<br>025 = Ø25<br>032 = Ø32 | 0010 = 10<br>0015 = 15<br>0020 = 20<br>0025 = 25<br>0030 = 30 | 0035 = 35<br>0040 = 40<br>0045 = 45<br>0050 = 50<br>0060 = 60 | 0070 = 70<br>0075 = 75<br>0080 = 80<br>0090 = 90<br>0100 = 100 |  |

| Ø  | Strokes (mm) |    |    |    |    |    |    |    |    |    |    |    |    |    |     |
|----|--------------|----|----|----|----|----|----|----|----|----|----|----|----|----|-----|
|    | 10           | 15 | 20 | 25 | 30 | 35 | 40 | 45 | 50 | 60 | 70 | 75 | 80 | 90 | 100 |
| 6  | —            | —  | —  | —  | —  | —  | —  | —  | —  | —  | —  | —  | —  | —  | —   |
| 10 | —            | —  | —  | —  | —  | —  | —  | —  | —  | —  | —  | —  | —  | —  | —   |
| 15 | —            | —  | —  | —  | —  | —  | —  | —  | —  | —  | —  | —  | —  | —  | —   |
| 20 | —            | —  | —  | —  | —  | —  | —  | —  | —  | —  | —  | —  | —  | —  | —   |
| 25 | —            | —  | —  | —  | —  | —  | —  | —  | —  | —  | —  | —  | —  | —  | —   |
| 32 | —            | —  | —  | —  | —  | —  | —  | —  | —  | —  | —  | —  | —  | —  | —   |

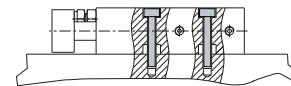
Stroke adjustment: 0 ÷ 5 mm

Magnetic sensor DF-T series, see chapter 5 accessories.

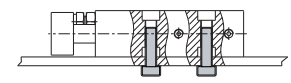
Subject to change

### Fixing schemes

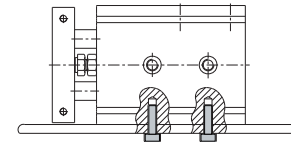
#### Top fixing



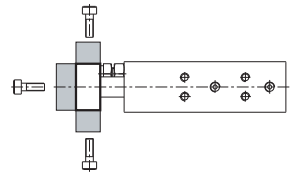
#### Bottom fixing



#### Side fixing



#### on the plate



### Theoretical forces (N)

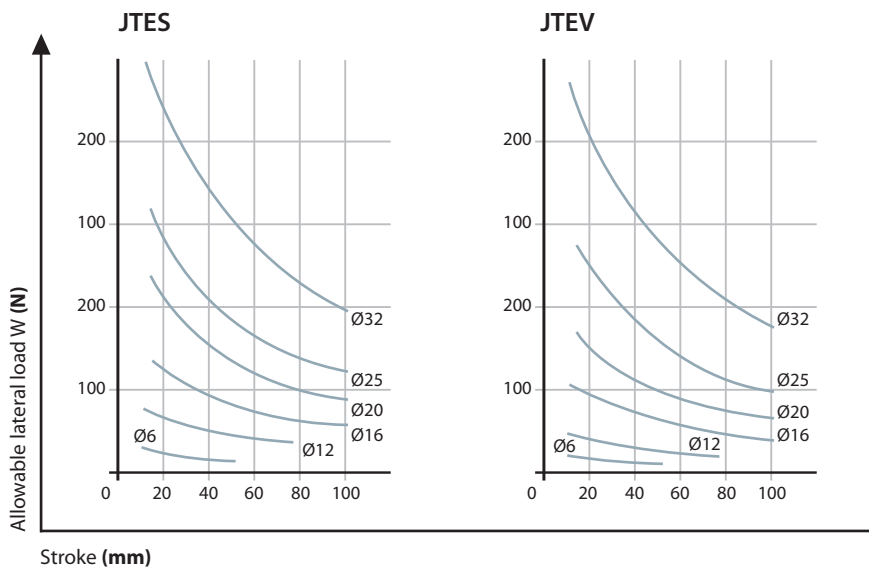
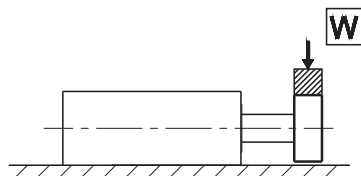
| Cylinder Ø | Working surface area (mm <sup>2</sup> ) |          | Working pressure (bar) |     |     |     |     |     |     |      |          |     |     |     |     |     |     |     |
|------------|---|----------|------------------------|-----|-----|-----|-----|-----|-----|------|----------|-----|-----|-----|-----|-----|-----|-----|
|            | Thrust                                  | Traction | Thrust                 |     |     |     |     |     |     |      | Traction |     |     |     |     |     |     |     |
|            |   |          | 1                      | 1,5 | 2   | 3   | 4   | 5   | 6   | 7    | 1        | 1,5 | 2   | 3   | 4   | 5   | 6   | 7   |
| 6          | 57                                      | 31       | -                      | 9   | 11  | 17  | 23  | 28  | 34  | 40   | -        | 5   | 6   | 9   | 13  | 16  | 19  | 22  |
| 10         | 226                                     | 170      | 23                     | -   | 45  | 68  | 90  | 113 | 136 | 158  | 17       | -   | 34  | 51  | 68  | 85  | 102 | 119 |
| 15         | 402                                     | 301      | 40                     | -   | 80  | 121 | 161 | 201 | 241 | 281  | 30       | -   | 60  | 90  | 121 | 151 | 181 | 211 |
| 20         | 628                                     | 471      | 63                     | -   | 126 | 188 | 251 | 314 | 377 | 440  | 47       | -   | 94  | 141 | 188 | 236 | 283 | 330 |
| 25         | 981                                     | 755      | 98                     | -   | 196 | 294 | 393 | 491 | 589 | 687  | 76       | -   | 151 | 227 | 302 | 378 | 453 | 529 |
| 32         | 1608                                    | 1206     | 161                    | -   | 322 | 482 | 643 | 804 | 965 | 1125 | 121      | -   | 241 | 362 | 482 | 603 | 723 | 844 |

### Cylinder mass

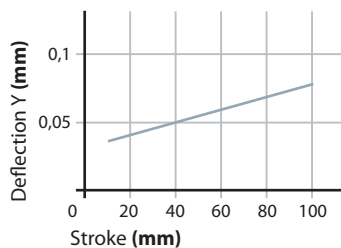
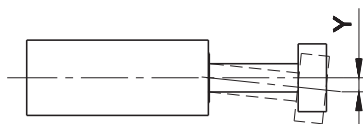
| Cylinder Ø | Cylinder Stroke 0 | Increase per 5 mm stroke |
|------------|-------------------|--------------------------|
|            | g                 | g                        |
| 6          | 67                | 7                        |
| 10         | 150               | 8                        |
| 15         | 222               | 13                       |
| 20         | 376               | 18                       |
| 25         | 557               | 27                       |
| 32         | 1105              | 42                       |

## OPERATING CONDITIONS

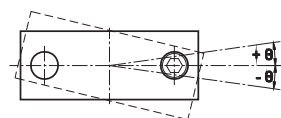
### 1 Allowable lateral load (N)



### Deflection under its own weight

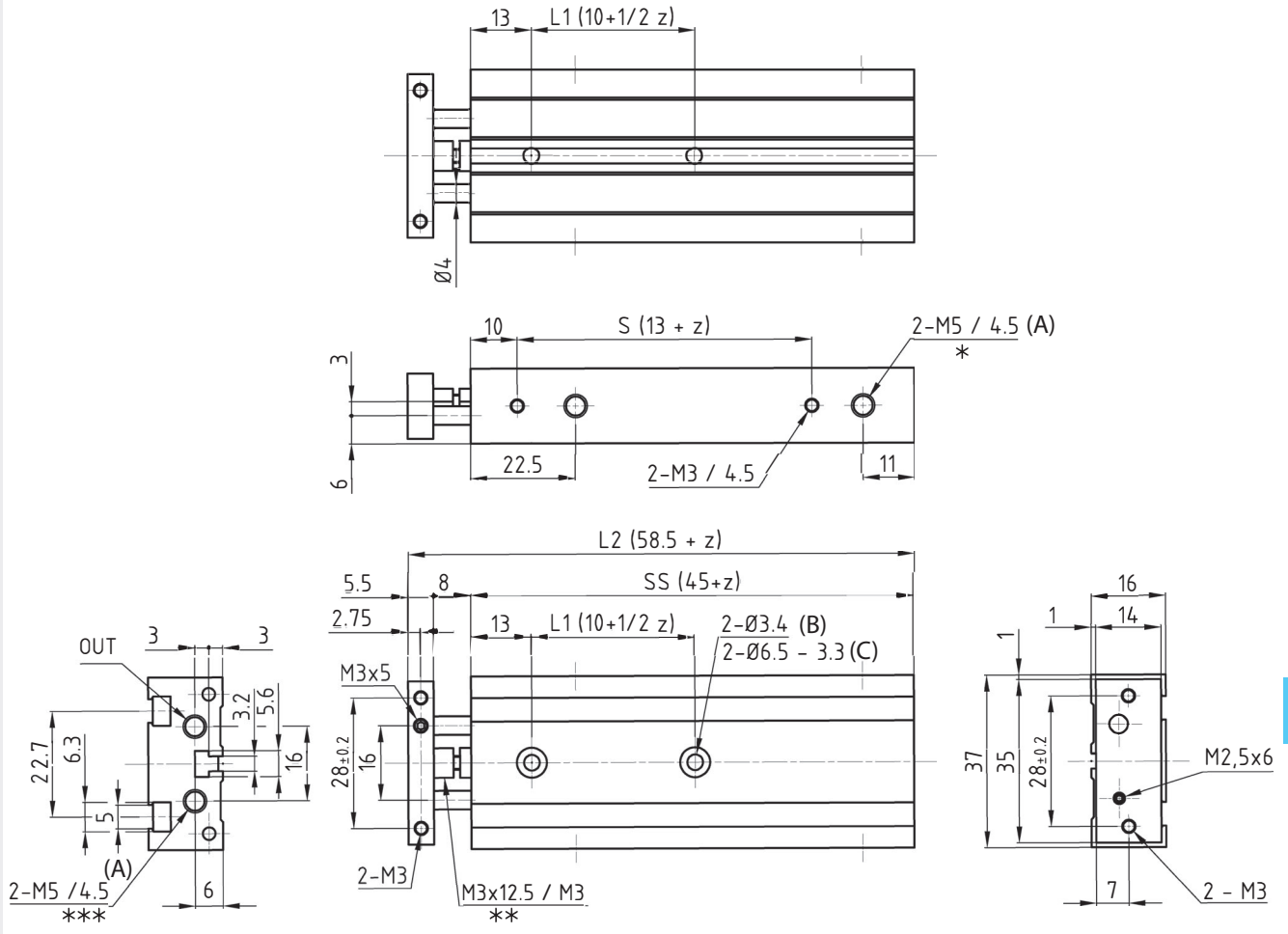


### Precision



| Cylinder Ø | Precision θ | Part no. |
|------------|-------------|----------|
| 6 - 32     | ± 0,1°      | JTES     |
|            | ± 0,15°     | JTEV     |

Ø6



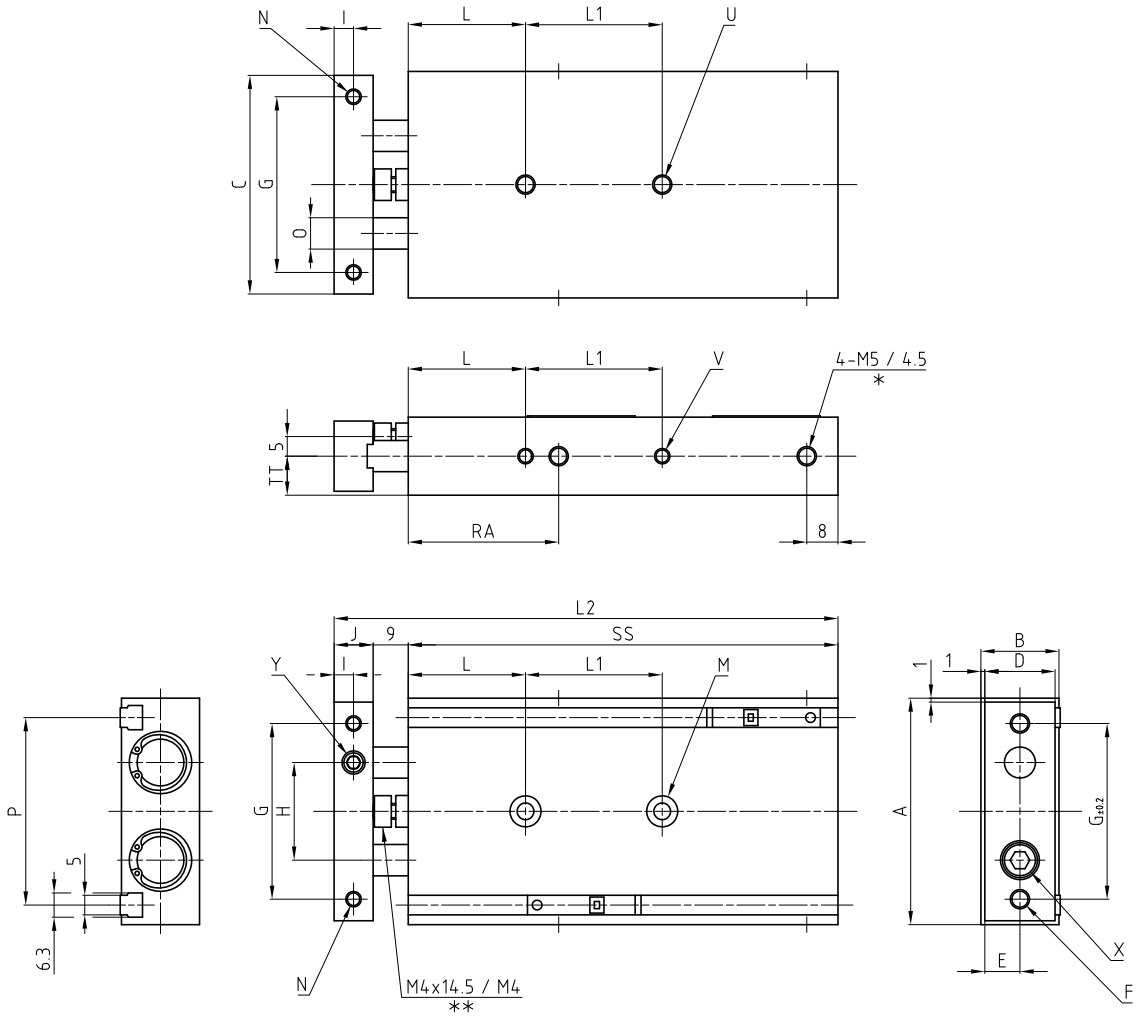
\* = Connection thread, same as opposite side  
 \*\* = Hex screw/hex nut dimension  
 \*\*\* = Connection thread "IN"

(A) = Depth 4,5  
 (B) = Through  
 (C) = Counterhole depth 3,3

Z = Stroke

| Part No.    | S  | SS | Z  | ZZ    | Stroke |
|-------------|----|----|----|-------|--------|
| JTE_0060010 | 23 | 55 | 15 | 68,5  | 10     |
| JTE_0060020 | 33 | 65 | 20 | 78,5  | 20     |
| JTE_0060030 | 43 | 75 | 25 | 88,5  | 30     |
| JTE_0060040 | 53 | 85 | 30 | 98,5  | 40     |
| JTE_0060050 | 63 | 95 | 35 | 108,5 | 50     |

Ø10 - 15



\* = Connection thread, same as opposite side  
 \*\* = Hex screw/hex nut dimension

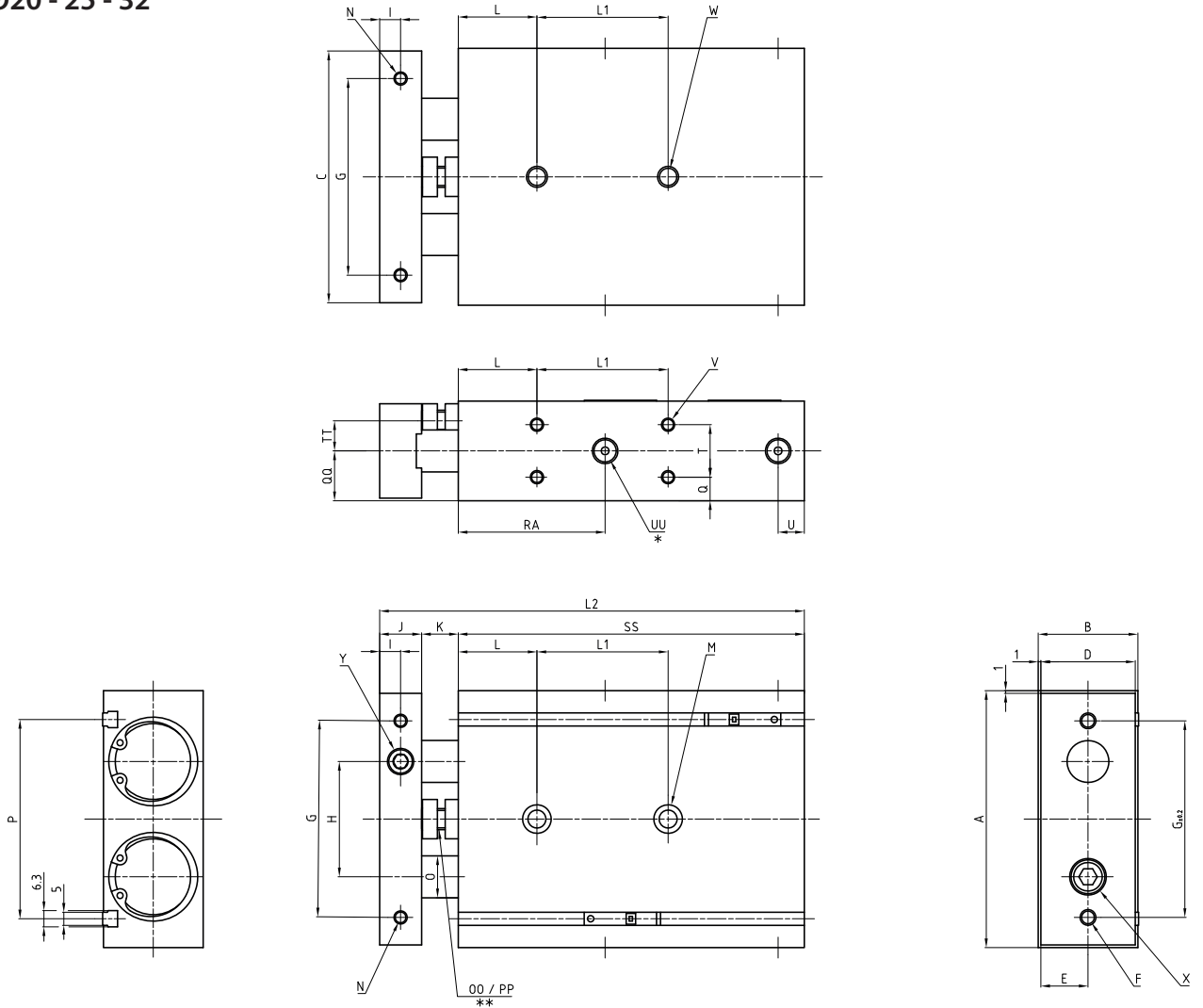
| Part No. | A  | B  | C  | D  | E   | F    | G  | H  | I | J  | L  | M                    | N      | O  | P    | RA   | TT | U      | V        | X     | Y     |
|----------|----|----|----|----|-----|------|----|----|---|----|----|----------------------|--------|----|------|------|----|--------|----------|-------|-------|
| JTE_010  | 46 | 17 | 44 | 15 | 7,5 | 2-M4 | 35 | 20 | 4 | 8  | 20 | 2-Ø3,4<br>2-Ø6,5x3,3 | 2-M3x5 | Ø6 | 33,6 | 30   | 7  | 2-M4x7 | 4-M3x4,5 | M3x10 | M5x5L |
| JTE_015  | 58 | 20 | 56 | 18 | 9   | 2-M5 | 45 | 25 | 5 | 10 | 30 | 2-Ø4,3<br>2-Ø8x4,4   | 2-M4x6 | Ø8 | 48   | 38,5 | 10 | 2-M5x8 | 4-M4x5   | M5x10 | M6x6L |

| Part No. | Stroke |    |    |    |    |    |     |     |     |     |     |     |     |     |     |
|----------|--------|----|----|----|----|----|-----|-----|-----|-----|-----|-----|-----|-----|-----|
|          | 10     | 15 | 20 | 25 | 30 | 35 | 40  | 45  | 50  | 60  | 70  | 75  | 80  | 90  | 100 |
|          | SS     |    |    |    |    |    |     |     |     |     |     |     |     |     |     |
| JTE_010  | 65     | 70 | 75 | 80 | 85 | 90 | 95  | 100 | 105 | 115 | 125 | 130 | -   | -   | -   |
| JTE_015  | 70     | 75 | 80 | 85 | 90 | 95 | 100 | 105 | 110 | 120 | 130 | 135 | 140 | 150 | 160 |

| Part No. | Stroke            |                        |              |    |          |
|----------|-------------------|------------------------|--------------|----|----------|
|          | 10 - 15 - 20 - 25 | 30 - 35 - 40 - 45 - 50 | 60 - 70 - 75 | 80 | 90 - 100 |
|          | L1                |                        |              |    |          |
| JTE_010  | 30                | 40                     | 50           | -  | -        |
| JTE_015  | 25                | 35                     | 45           | 45 | 55       |

| Part No. | Stroke |    |    |     |     |     |     |     |     |     |     |     |     |     |     |
|----------|--------|----|----|-----|-----|-----|-----|-----|-----|-----|-----|-----|-----|-----|-----|
|          | 10     | 15 | 20 | 25  | 30  | 35  | 40  | 45  | 50  | 60  | 70  | 75  | 80  | 90  | 100 |
|          | L2     |    |    |     |     |     |     |     |     |     |     |     |     |     |     |
| JTE_010  | 82     | 87 | 92 | 97  | 102 | 107 | 112 | 117 | 122 | 132 | 142 | 147 | -   | -   | -   |
| JTE_015  | 89     | 94 | 99 | 104 | 109 | 114 | 119 | 124 | 129 | 139 | 149 | 154 | 159 | 169 | 179 |

Ø20 - 25 - 32



\* = Connection thread, same as opposite side  
 \*\* = Hex screw/hex nut dimension

| Part No. | A  | B  | C  | D  | E    | F    | G  | H  | I | J  | K  | L  | M                    | N        | O   | OO       | P  | PP | Q    | QQ   | RA | T   |
|----------|----|----|----|----|------|------|----|----|---|----|----|----|----------------------|----------|-----|----------|----|----|------|------|----|-----|
| JTE_020  | 64 | 25 | 62 | 23 | 11,5 | 2-M5 | 50 | 28 | 6 | 12 | 12 | 30 | 2-Ø5,5<br>2-Ø9,5x5,3 | 2-M4x6   | Ø10 | M6x18,5L | 53 | M6 | 7,75 | 12,5 | 45 | 9,5 |
| JTE_025  | 80 | 30 | 78 | 28 | 14   | 2-M6 | 60 | 35 | 6 | 12 | 12 | 30 | 2-Ø6,9<br>2-Ø11x6,3  | 2-M5x7,5 | Ø12 | M6x18,5L | 64 | M6 | 8,5  | 15   | 46 | 13  |
| JTE_032  | 98 | 38 | 96 | 36 | 18   | 2-M6 | 75 | 44 | 8 | 16 | 14 | 30 | 2-Ø6,9<br>2-Ø11x6,3  | 2-M5x8   | Ø16 | M8x23L   | 76 | M8 | 9    | 19   | 56 | 20  |

| Part No. | TT   | U  | UU         | V        | W       | X     | Y      |
|----------|------|----|------------|----------|---------|-------|--------|
| JTE_020  | 6,5  | 8  | 4-M5x4,5   | 8-M4x5,5 | 2-M6x10 | M6x12 | M8x6L  |
| JTE_025  | 9    | 9  | 4-G1/8x6,5 | 8-M5x7,5 | 2-M8x12 | M6x14 | M8x6L  |
| JTE_032  | 11,5 | 10 | 4-G1/8x6,5 | 8-M5x7,5 | 2-M8x12 | M8x16 | M10x8L |

| Part No. | Stroke |    |     |     |     |     |     |     |     |     |     |     |     |     |     |
|----------|--------|----|-----|-----|-----|-----|-----|-----|-----|-----|-----|-----|-----|-----|-----|
|          | 10     | 15 | 20  | 25  | 30  | 35  | 40  | 45  | 50  | 60  | 70  | 75  | 80  | 90  | 100 |
|          | SS     |    |     |     |     |     |     |     |     |     |     |     |     |     |     |
| JTE_020  | 80     | 85 | 90  | 95  | 100 | 105 | 110 | 115 | 120 | 130 | 140 | 145 | 150 | 160 | 170 |
| JTE_025  | 82     | 87 | 92  | 97  | 102 | 107 | 112 | 117 | 122 | 132 | 142 | 147 | 152 | 162 | 172 |
| JTE_032  | 92     | 97 | 102 | 107 | 112 | 117 | 122 | 127 | 132 | 142 | 152 | 157 | 162 | 172 | 182 |

| Part No. | Stroke            |                        |                              |
|----------|-------------------|------------------------|------------------------------|
|          | 10 - 15 - 20 - 25 | 30 - 35 - 40 - 45 - 50 | 60 - 70 - 75 - 80 - 90 - 100 |
|          | L1                |                        |                              |
| JTE_020  | 30                | 40                     | 60                           |
| JTE_025  | 30                | 40                     | 60                           |
| JTE_032  | 40                | 50                     | 70                           |

| Part No. | Stroke |     |     |     |     |     |     |     |     |     |     |     |     |     |     |
|----------|--------|-----|-----|-----|-----|-----|-----|-----|-----|-----|-----|-----|-----|-----|-----|
|          | 10     | 15  | 20  | 25  | 30  | 35  | 40  | 45  | 50  | 60  | 70  | 75  | 80  | 90  | 100 |
|          | L2     |     |     |     |     |     |     |     |     |     |     |     |     |     |     |
| JTE_020  | 104    | 109 | 114 | 119 | 124 | 129 | 134 | 139 | 144 | 154 | 164 | 169 | 174 | 184 | 194 |
| JTE_025  | 106    | 111 | 116 | 121 | 126 | 131 | 136 | 141 | 146 | 156 | 166 | 171 | 176 | 186 | 196 |
| JTE_032  | 122    | 127 | 132 | 137 | 142 | 147 | 152 | 157 | 162 | 172 | 182 | 187 | 192 | 202 | 212 |