

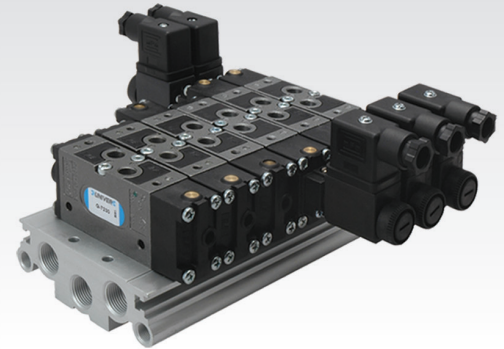
G-7

26 mm G1/8 valves and solenoid valves

- G1/8 threaded body valves with UNIVER traditional spool system
- Versions available: 5/2 - 5/3
- Standard version with ports 2 and 4 on both sides
- Aluminum multiple sub-bases

Available ATEX version upon request

CE Ex II 2Gc IIC T5 II 2Dc T100°C



TECHNICAL CHARACTERISTICS

Ambient temperature	-10 ÷ +45 °C
Fluid temperature	Max +50 °C
Fluid	50 µm filtered air, with or without lubrication
Commutation system	spool
Ways/Positions	5/2, 5/3
Pressure	Max 10 bar
Control	indirect electro - pneumatic, pneumatic
Return	mechanical spring, pneumomechanical spring
Connections	G1/8
Nominal Ø	6 mm
Nominal flow rate	860 NI/min

CONSTRUCTIVE CHARACTERISTICS

Valve body	zamak
Seals	nitrile rubber
Actuators	technopolymer
Spool	aluminum

ELECTRIC CHARACTERISTICS

Electropilot	AA series
Coil	U1-U3
Power consumption	3,5 W (DC) - 5 VA (AC)
Connector	AM-5110
Voltage	12 V DC - 24 V DC - 24 V AC - 110 V AC - 230 V AC
Manual override	impulse screw - 2 positions

CODIFICATION KEY

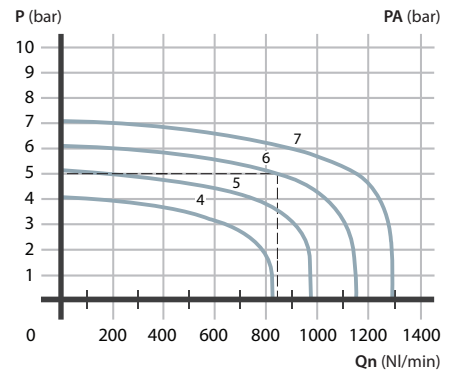
G	-	7	3	9	0		
1		2	3	4	5	6	

1 Series G-7 = 26 mm G1/8 valves and solenoid valves	2 Type 2 = 5/2 3 = 5/3 c.c. 4 = 5/3 o.c. 5 = 5/3 p.c.	3 Control 14 3 = Pneumatic on the body 9 = In-line electric U1 pilot	4 Return 12 0 = Pneumomechanical spring 1 = Mechanical spring 3 = Pneumatic on the body 9 = In-line electric U1 pilot
--	--	---	--

5 Option D = Pilot external servo-assistance on valve body (M5) G = Manual override on the valve body (only bistable versions)	6 ATEX version X = Atex (upon request)
---	--

See ATEX Catalogue for types and versions

Flow rate characteristics



P = Working pressure
PA = Supply pressure
Qn = Flow rate

SPOOL VALVES 3.3

Single/double pneumatic impulse

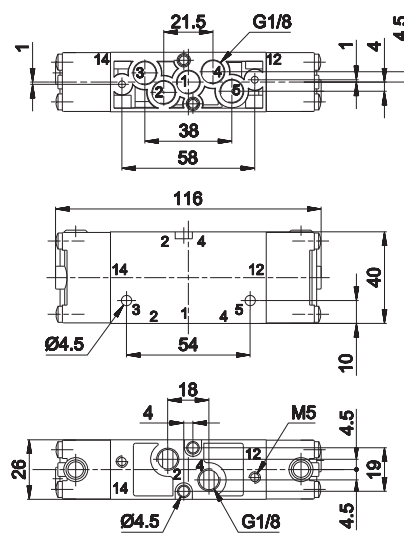
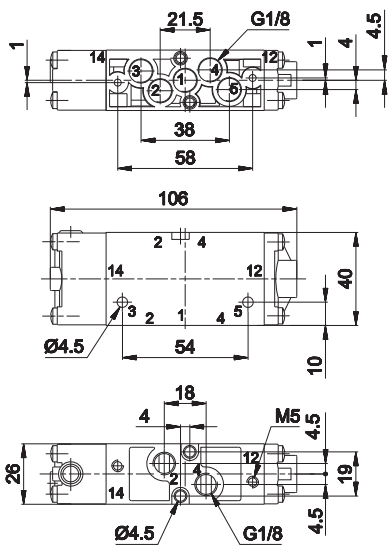


	Symbol	Control	Return	Pressure bar	Resp. Time (ms)		Weight Kg	Part no.
		14	12		En.	De-en.		
SINGLE PNEUMATIC IMPULSE								
5/2		pneumatic amplified	pneumomechanical spring	1,5÷10	8	14	0,190	G-7230
5/2		pneumatic amplified	mechanical spring	1,5÷9	18	64	0,190	G-7231
DOUBLE PNEUMATIC IMPULSE								
5/2		pneumatic amplified	pneumatic amplified	0,7÷10	4	4	0,190	G-7233
5/3 c.c.		pneumatic amplified	pneumatic amplified	2÷10	8	8	0,200	G-7333
5/3 o.c.		pneumatic amplified	pneumatic amplified	2÷10	8	8	0,200	G-7433
5/3 p.c.		pneumatic amplified	pneumatic amplified	2÷10	8	8	0,200	G-7533

o.c. = open centres c.c. = closed centres p.c. = pressurized centres

Single pneumatic impulse

Double pneumatic impulse



- 1 = Supply port
- 2 - 4 = Use
- 3 - 5 = Exhaust
- 14 = Control
- 12 = Return

The valve is supplied with two plugs to be mounted with loctite onto the unused 2-4 connections
Electropilots are supplied without coil, connector and locking ring

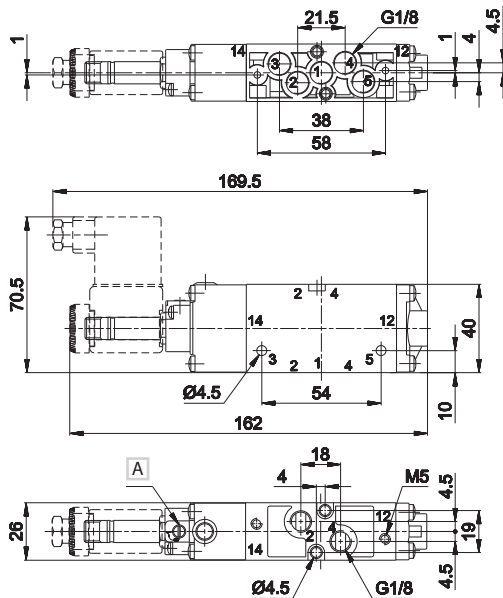
Single/double electric impulse



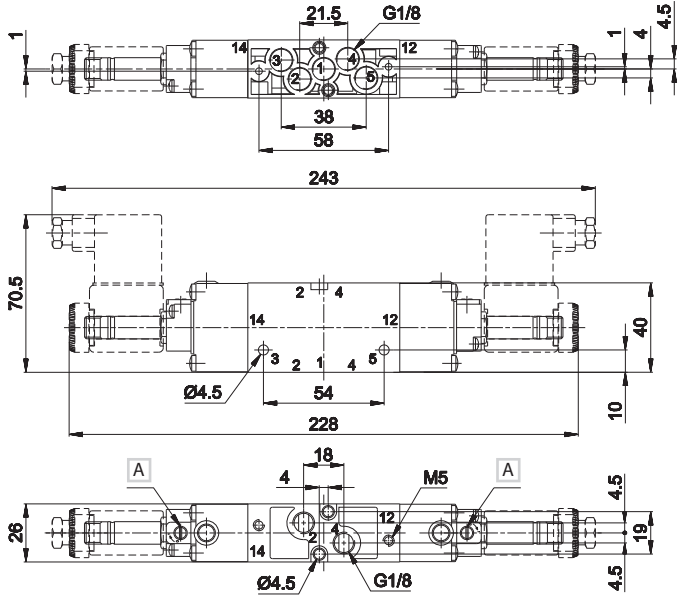
	Symbol	Control	Return	Pressure bar	Resp. Time (ms)		Weight Kg	Part no.
		14	12		En.	De-en.		
SINGLE ELECTRIC IMPULSE								
5/2		electric amplified	pneumomechanical spring	1,5÷10	15	23	0,214	G-7290
5/2		electric amplified	mechanical spring	1,5÷9	13	34	0,214	G-7291
DOUBLE ELECTRIC IMPULSE								
5/2		electric amplified	electric amplified	0,7÷10	12	12	0,280	G-7299
5/3 c.c.		electric amplified	electric amplified	2÷10	14	18	0,309	G-7399
5/3 o.c.		electric amplified	electric amplified	2÷10	14	18	0,309	G-7499
5/3 p.c.		electric amplified	electric amplified	2÷10	14	18	0,309	G-7599

o.c. = open centres c.c. = closed centres p.c. = pressurized centres

Single electric impulse



Double electric impulse



A Manual override

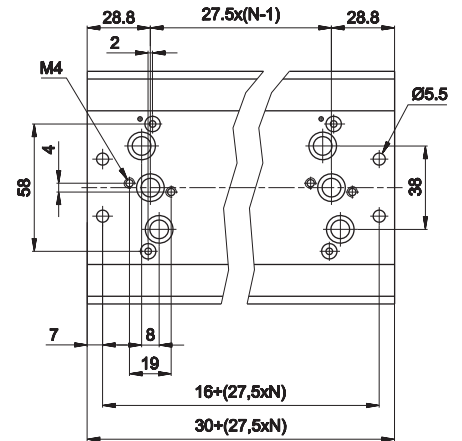
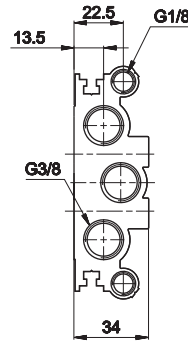
- 1 = Supply port
- 2 - 4 = Use
- 3 - 5 = Exhaust
- 14 = Control
- 12 = Return

The valve is supplied with two plugs to be supplied with locite onto the unused ports 2 and 4
Electropilots are supplied without coil, connector and locking ring

Multiple sub-base G1/8

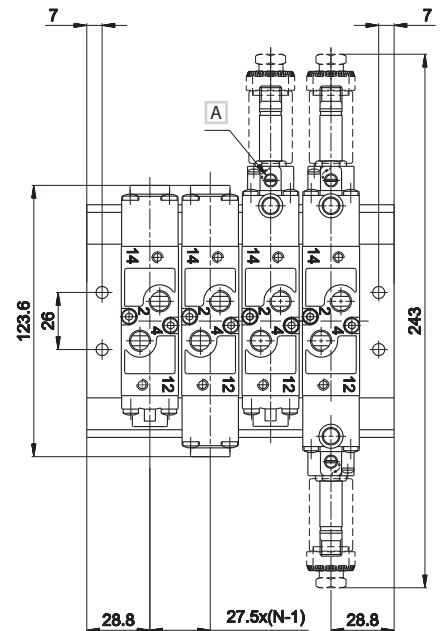
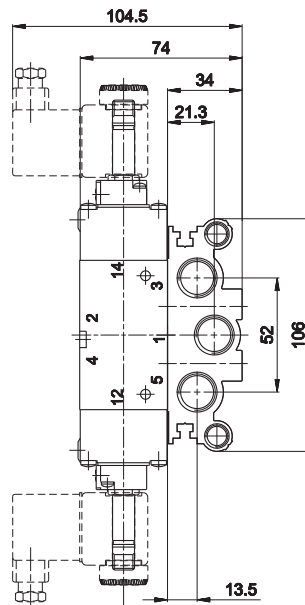


Places N.	Weight Kg	Part no.
2	0,455	G-7900-02
3	0,594	G-7900-03
4	0,733	G-7900-04
5	0,872	G-7900-05
6	1,011	G-7900-06
7	1,150	G-7900-07
8	1,289	G-7900-08
9	1,428	G-7900-09
10	1,567	G-7900-10
11	1,706	G-7900-11
12	1,845	G-7900-12

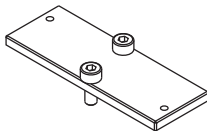


A Manual override

- 1 = Supply port
- 2 - 4 = Use
- 3 - 5 = Exhaust
- 14 = Control
- 12 = Return

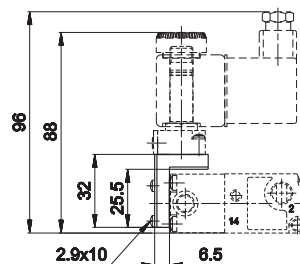
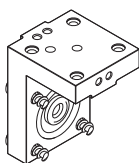


G-7885



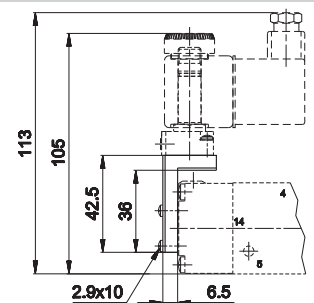
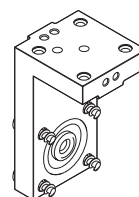
covering-plate for sub-base place
weight: 0,019 Kg

AM-5151



"H" option solenoid square
weight: 0,035 Kg

AM-5152



"P" option solenoid square
weight: 0,05 Kg

3