

# ULZ 40

Irreversible pneumatic retractable locating pin unit, single rod, Ø40 mm

Irreversible pneumatic retractable pin unit, single rod, typically used in welding applications to locate metal sheets in a definite position.

- Toggle-joint system to hold the position even in case of air loss
- Metal rod scraper
- Antirotation system
- Optical sensor
- Many rod end styles available
- Version with hand lever available (ULY)



3

## CHARACTERISTICS

Operating temperature	5° ÷ 45° C
Min./Max. operating pressure	0,4 / 0,6 MPa
Bore Ø	40 mm
Min. Pull force (0,5 MPa)	200 N
Max Push force (0,5 MPa)**	3100 N
Max. Torque (6 Nm)	± 0,06 mm
Max. Deflection (7,5 Nm)	± 0,03 mm
Weight	5,7 Kg
Pneumatic supply ports	G 1/8
Sensor	electronic (optical)
Supply voltage	10 ÷ 30 Vdc
IP code	IP 65

\*\*Max. push force at end stroke position

## CODIFICATION KEY

UL | Z | 40 | 040 | A | E | K | 0 | | |

1 2 3 4 5 6 7 8 9



IRREVERSIBLE



OPTICAL SENSOR



METAL SCRAPER



ANTI ROTATION

1

**SERIES**  
UL = UNICLAMP locating pin unit

2

**VERSION**  
Z = Pneumatic, with toggle-joint mechanism, single rod

3

**SIZE**  
40 = Ø40 mm

4

**STROKE**  
040 = 40 mm

5

**ROD END STYLE**  
A = Rod for offset pins  
B = Rod with profiled end  
C = Rod with cross-profiled end inner Ø16 mm  
D = Rod for offset pins with oversized dowel holes

6

**ROD ORIENTATION**  
X = Symmetrical

E\* = East

O\* = West

N\* = North

S\* = South

\*only with "A" and "D" rod style

7

**SENSOR**  
N = No sensor (with protection plate)  
K = Electronic sensor PNP, M12 (DF-K)  
J = Electronic sensor NPN, optical (DF-J)  
Y = Electronic sensor PNP, M12 (DF-Y) white LED

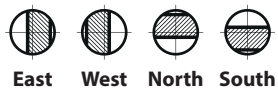
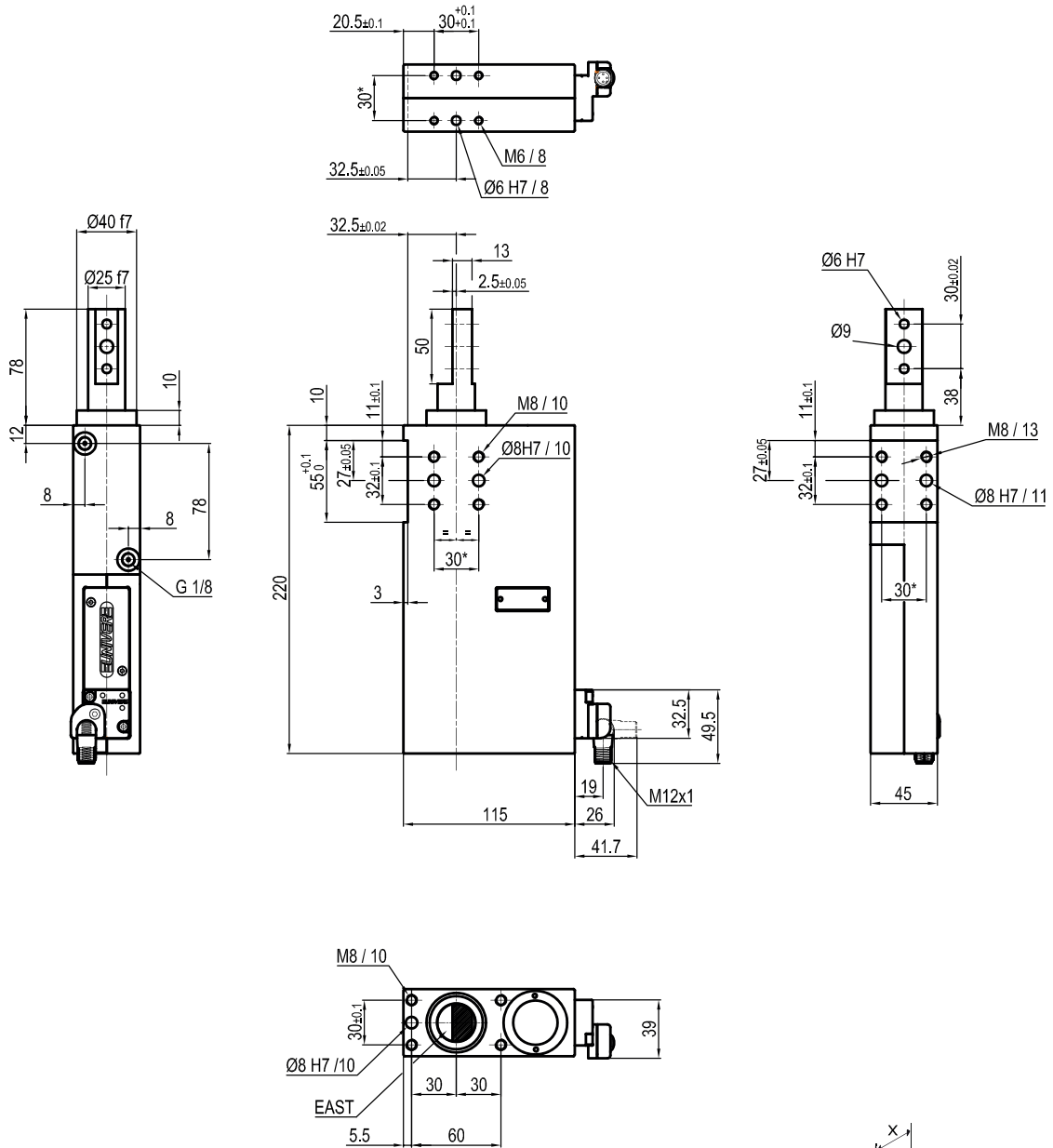
8

**PRODUCT REVISION**  
Assigned by UNIVER

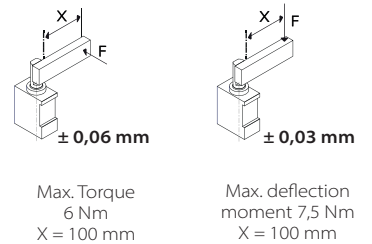
9

**ATEX**  
X = ATEX option  
See ATEX Catalogue for types and versions

**A** Rod for offset pins



\*TOLERANCE BETWEEN DOWELS ± 0,02 BETWEEN SCREW HOLES ± 0,1



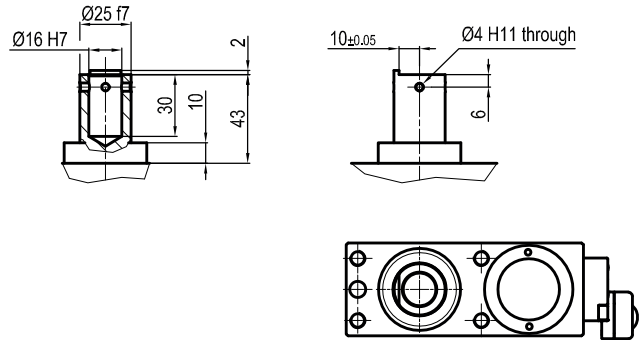
Sensors



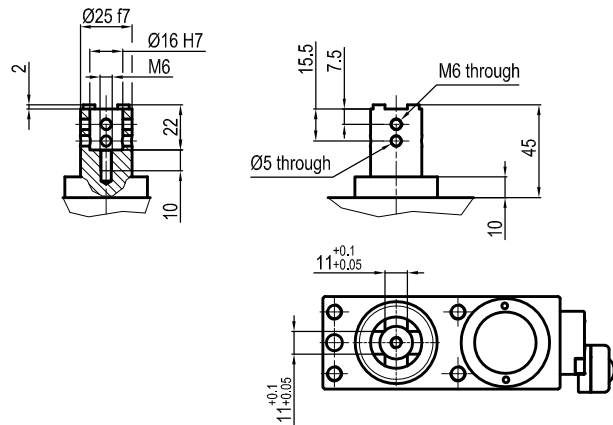
Electronic (optical)

- DF-K PNP M12
- DF-J NPN M12
- DF-Y PNP M12 White LED

**B** Rod with profiled end



**C** Rod with cross-profiled end  
Inner Ø16 mm



**D** Rod for offset pins  
Oversized dowel holes

Max. deflection moment 7,5 Nm

