

# ULR 63

Compact pneumatic retractable locating pin unit, single rod, Ø63 mm

Compact pneumatic retractable pin unit, single rod, typically used in welding applications to locate metal sheets in a definite position.

- Metal rod scraper
- Antirotation system
- Double guide to avoid backlash
- Compact dimensions
- Electronic or pneumatic sensor
- Many rod end styles available



3

## CHARACTERISTICS

Operating temperature	5° ÷ 45° C
Min./Max. operating pressure	0,4 / 0,6 MPa
Bore Ø	63 mm
Max Pull force (0,5 MPa)	1430 N
Max Push force (0,5 MPa)	1530 N
Max. Torque (6 Nm)	± 0,06 mm
Max. Deflection (7,5 Nm)	± 0,03 mm
Weight	3,2 Kg
Pneumatic supply ports	G 1/4
Sensor	electronic (optical)
Supply voltage	10 ÷ 30 Vdc
IP code	IP 65

## CODIFICATION KEY

**UL | R | 63 | 040 | C | X | K | 0 | |**

1 2 3 4 5 6 7 8 9



OPTICAL SENSOR



LIGHTWEIGHT



COMPACT



METAL SCRAPER



DOUBLE GUIDE



ANTI ROTATION

1

**SERIES**  
UL = UNICLAMP locating pin unit

2

**VERSION**  
R = Pneumatic, single rod

3

**SIZE**  
63 = Ø63 mm

4

**STROKE**  
015 = 15 mm  
025 = 25 mm  
040 = 40 mm  
050 = 50 mm  
060 = 60 mm

5

**ROD END STYLE**  
A = Rod for offset pins  
B = Rod with profiled end  
C = Rod with cross-profiled end inner Ø 16 mm  
D = Rod for offset pins with oversized dowel holes  
E = Rod with cross profiled end inner Ø 10 mm  
F = Compatible with NAAMS, inner Ø 16  
H = Rod with flat end, inner Ø10 mm  
I = Rod with flat end, inner Ø12 mm  
L\* = Rod with inner Ø12 mm  
M\* = Rod with inner Ø 20 mm  
\*compatible with CNOMO standard

6

**ROD ORIENTATION**  
X = Symmetrical

E\* = East

O\* = West

N\* = North

S\* = South

\*only with "A" and "D" rod style

7

**SENSOR**  
N = No sensor (with protection plate)  
K = Electronic sensor PNP, M12 (DF-K)  
J = Electronic sensor NPN, optical (DF-J)  
Y = Electronic sensor PNP, M12 (DF-Y) white LED

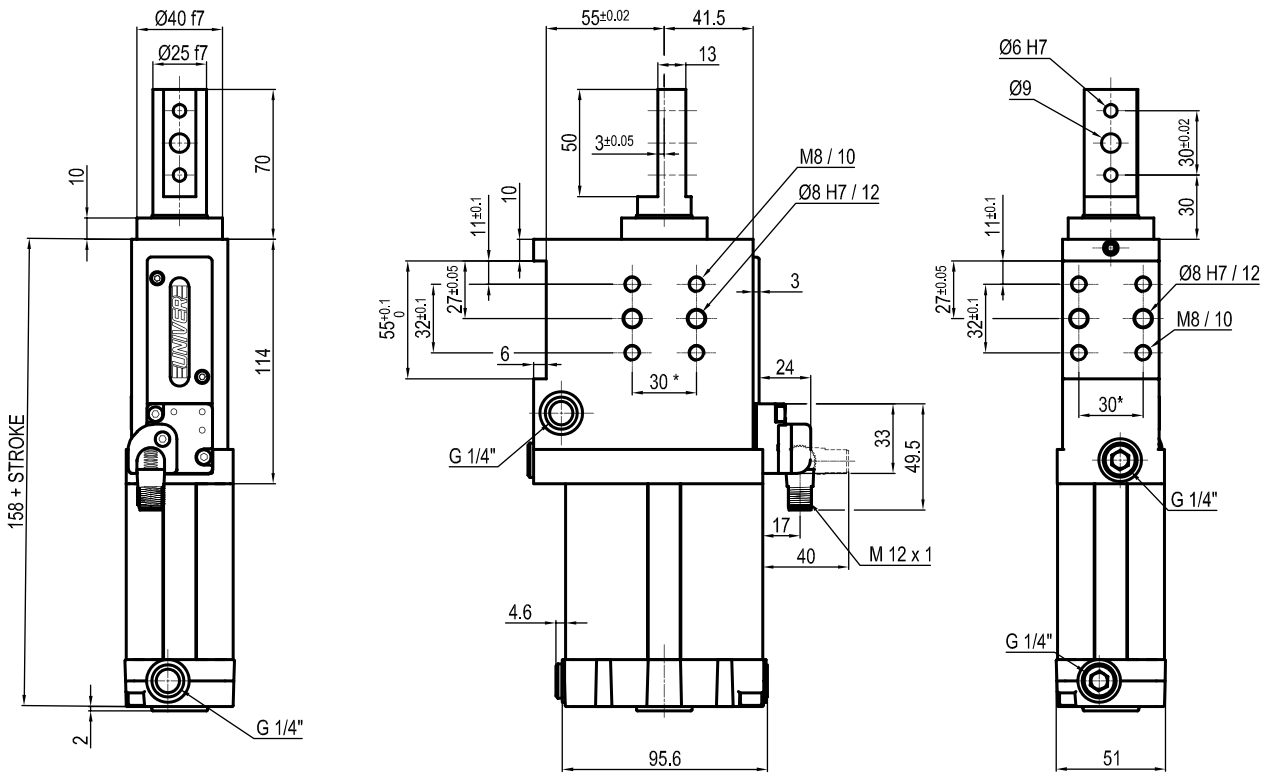
8

**PRODUCT REVISION**  
Assigned by UNIVER

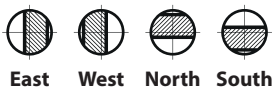
9

**ATEX**  
X = ATEX option  
See ATEX Catalogue for types and versions

**A** Rod for offset pins

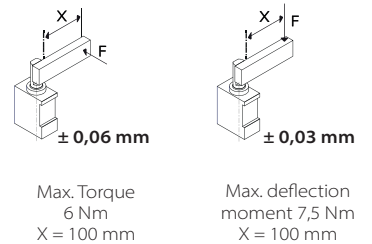


3



East West North South

\*TOLERANCE BETWEEN DOWELS ± 0,02 BETWEEN SCREW HOLES ± 0,1



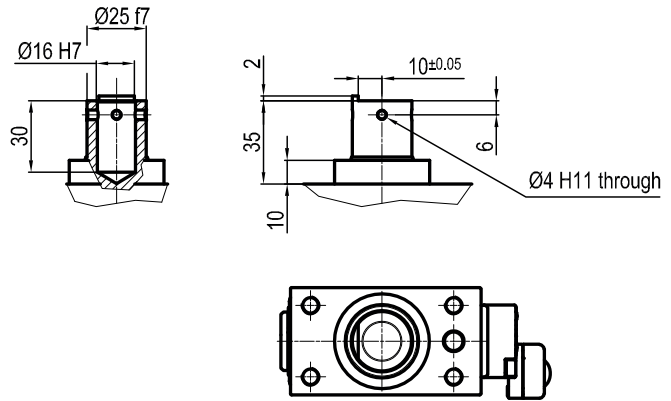
Sensors



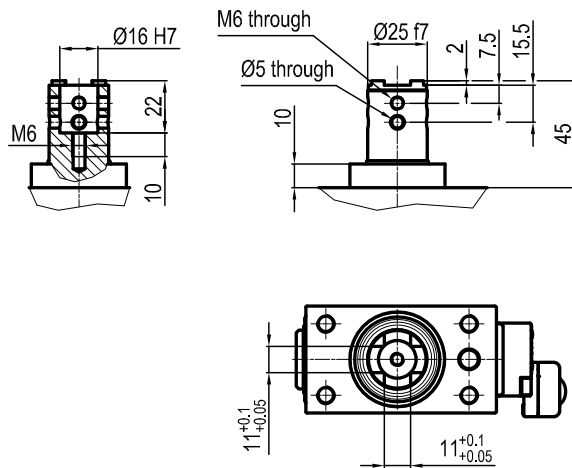
Electronic (optical)

- DF-K PNP M12
- DF-J NPN M12
- DF-Y PNP M12 White LED

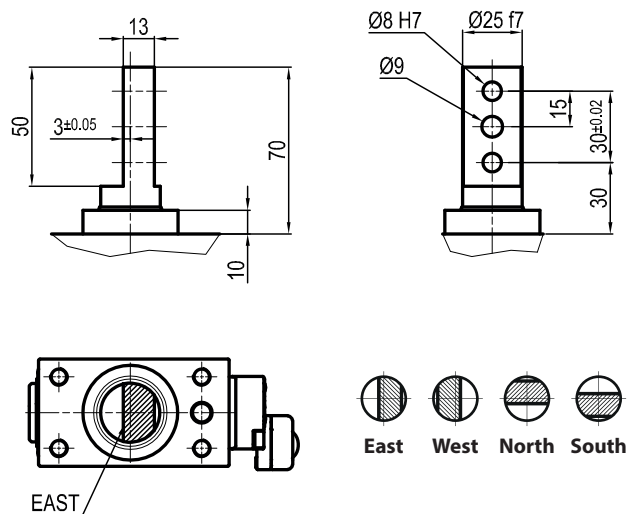
**B** Rod with profiled end



**C** Rod with cross-profiled end  
Inner Ø16 mm



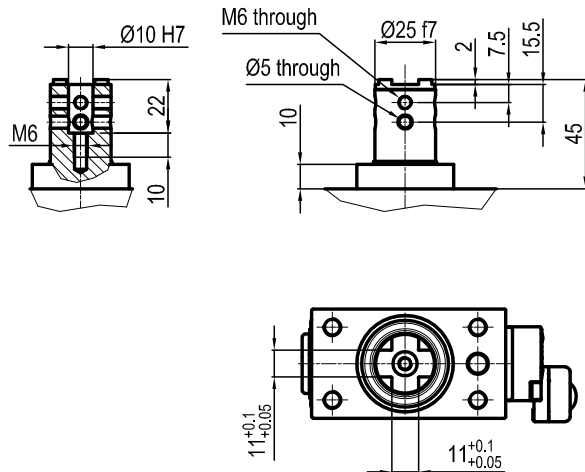
**D** Rod for offset pins  
Oversized dowel holes



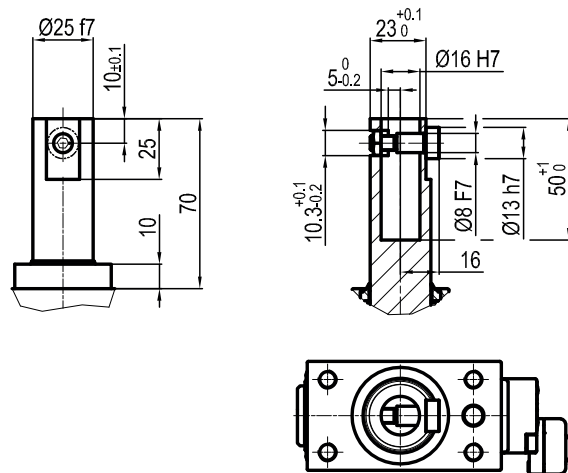
3

3

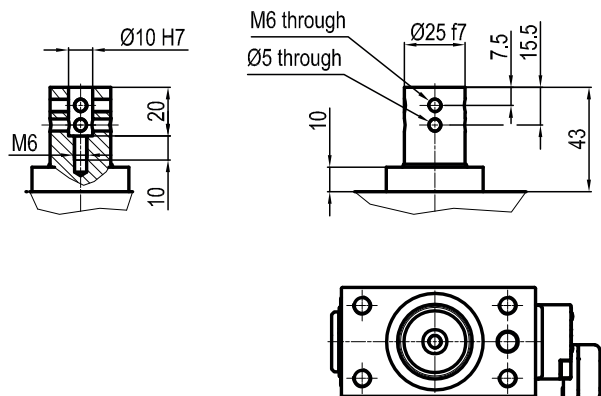
**E** Rod with cross-profiled end  
Inner Ø10 mm



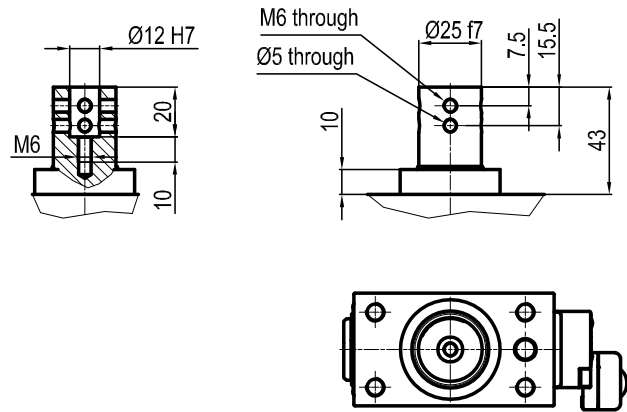
**F** Compatible with NAAMS  
Inner Ø16 mm



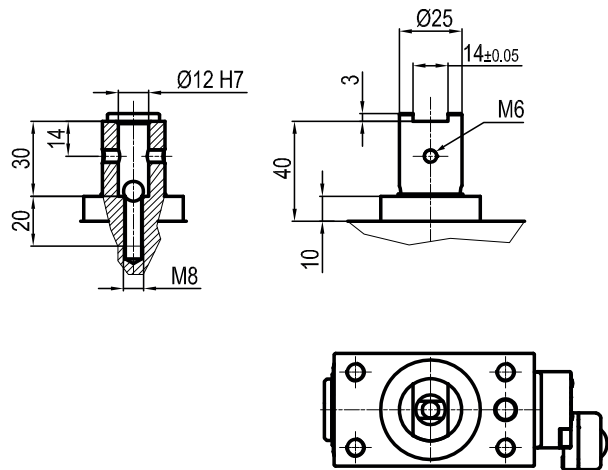
**H** Rod with flat end  
Inner Ø10 mm



**I** Rod with flat end  
Inner Ø12 mm



**L** Rod compatible with CNOMO standard  
Inner Ø12 mm



**M** Rod compatible with CNOMO standard  
Inner Ø20 mm

