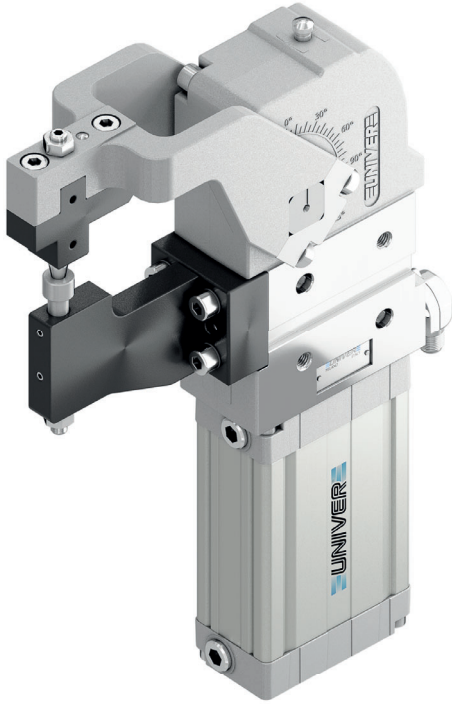


UPD 02

Marking unit with single character, 250 Nm



Marking unit with 250 Nm clamping moment specially designed for marking one single character on metal sheets. High customisation rate thanks to adjustable opening angle and the possibility to choose the marking position and character.

- Different marking characters available
- Possibility to choose the marking position (from above or from below)
- 120° adjustable opening angle
- Optical sensor
- Version with 500 Nm clamping moment available
- Integrated compensation up to 2 mm
- Possibility to translate the position of the metal sheet vertically

CHARACTERISTICS

Operating temperature	5° ÷ 45° C
Min./Max. Operating pressure	0,4 / 0,6 MPa
Opening angle	0 ÷ 120°
Cylinder bore Ø	63 mm
Marking force (0,5 MPa)	2 KN
Clamping moment (0,55 Mpa)	250 Nm
Weight	6,1 kg
Air cycle (0,5 MPa)	3,4 NI
Pneumatic supply ports	G1/4 on both sides
Sensor	electronic (optical)
Supply voltage	10 ÷ 30 Vdc
IP code	IP 65

CODIFICATION KEY

UPD | 02 | 08 | OR | M | 00 | 0 | |

1 2 3 4 5 6 7 8



COMPENSATION



ANGLE ADJUSTMENT



OPTICAL SENSOR

1 SERIES
UPD = UNICLAMP Marking units
single character

2 VERSION
02 = 250Nm Ø 63 mm cylinder

3 SIZE
08 = 84 mm

4 OPENING ANGLE
OR = 120° adjustable

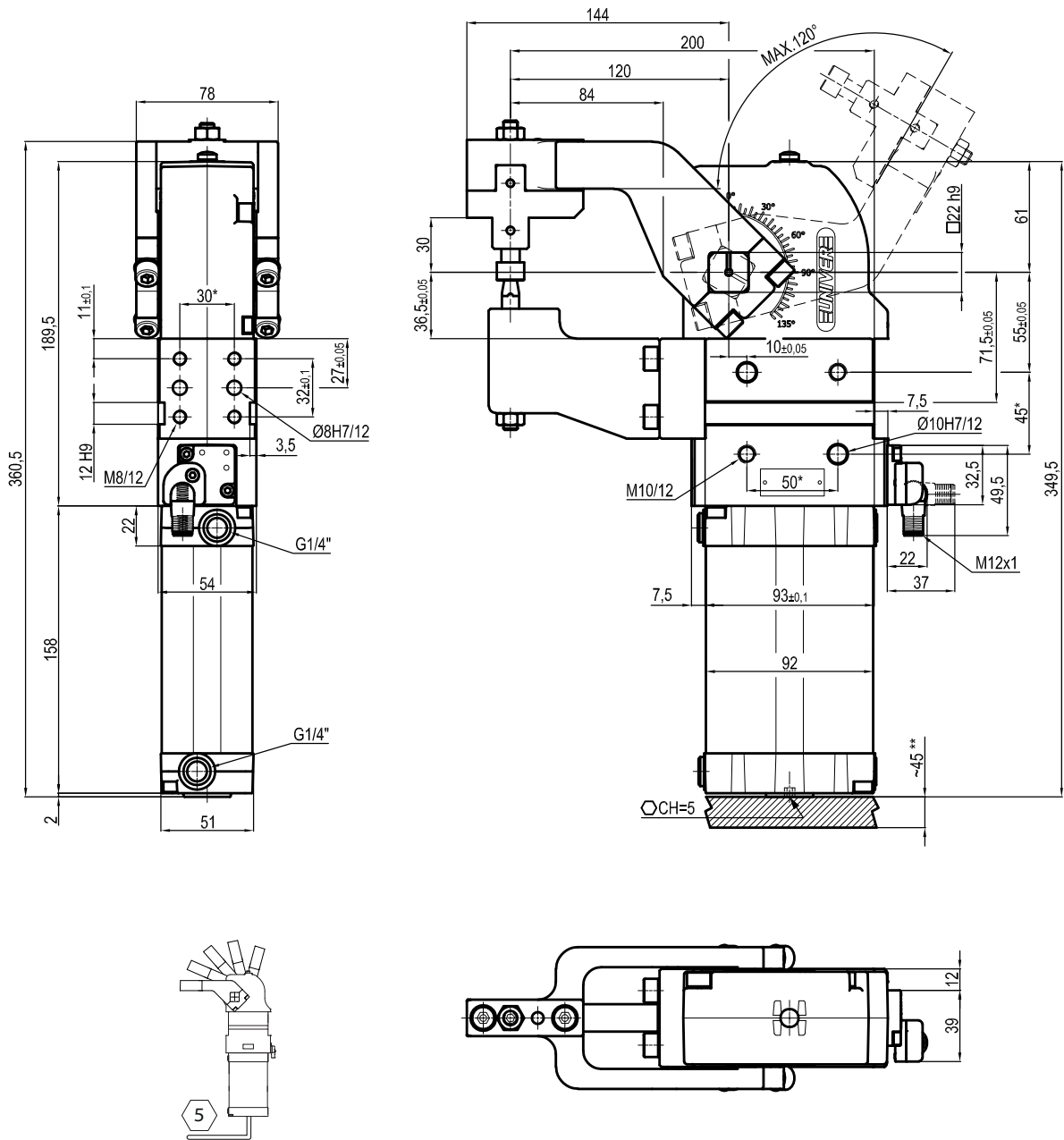
5 CHARACTER MOUNTING
M = on the moving part
F = on the fixed part

6 CHARACTER
00 = Without character (Standard)
Progressive numbers are assigned by the Sales Dept.

7 PRODUCT REVISION
Assigned by UNIVER

8 ATEX
X = ATEX option
See ATEX Catalogue for types and versions

F Character mounting
On the fixed part



* TOLERANCE BETWEEN DOWELS $\pm 0,02$, BETWEEN SCREW HOLES $\pm 0,1$
** AREA TO ACCESS ANGLE ADJUSTMENT

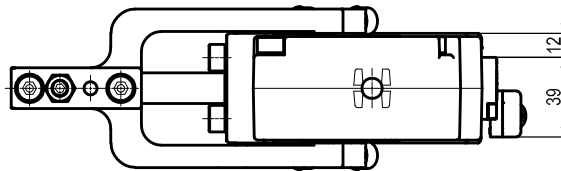
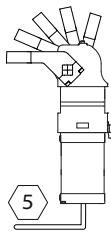
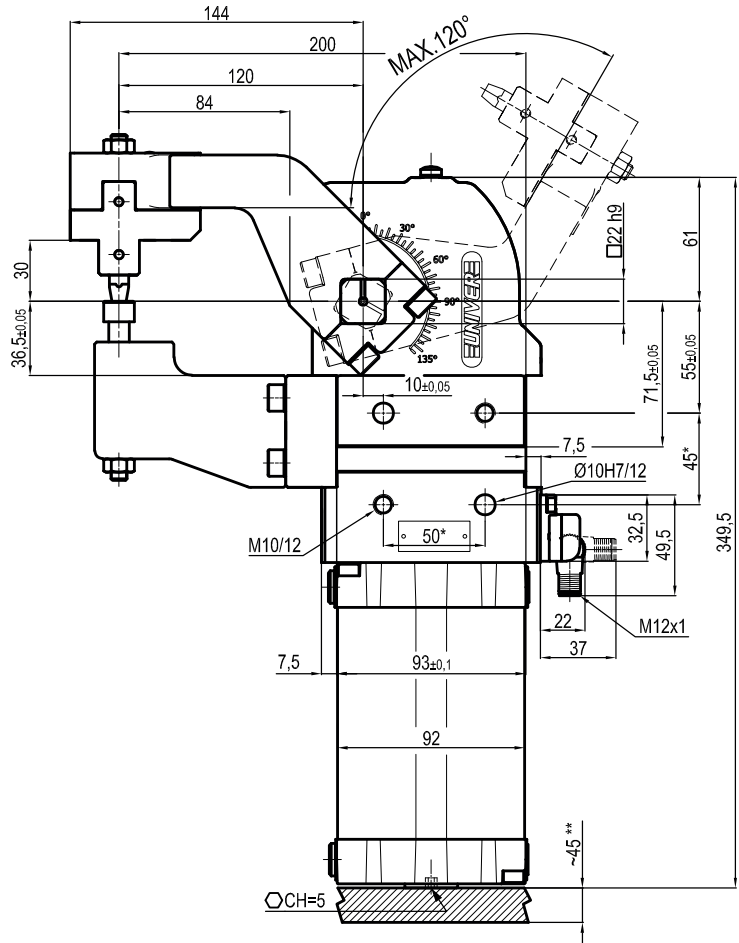
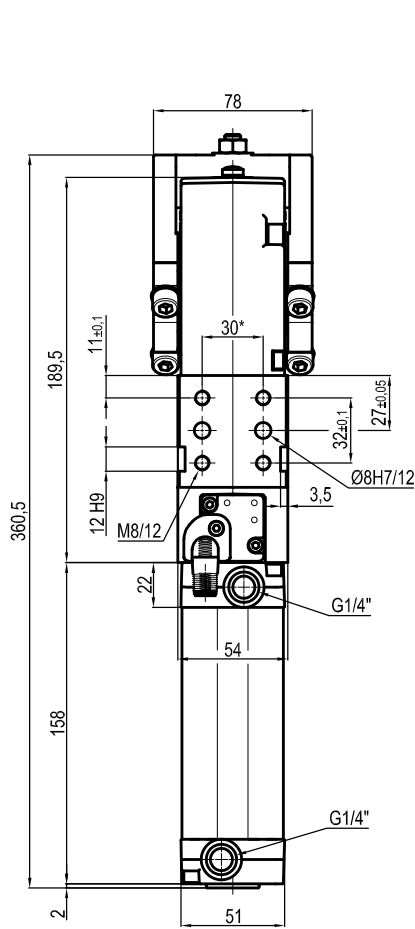
Sensors



Electronic (optical)

- DF-K PNP M12
- DF-J NPN M12
- DF-Y PNP M12 White LED

M Character mounting
On the moving part



* TOLERANCE BETWEEN DOWELS $\pm 0,02$, BETWEEN SCREW HOLES $\pm 0,1$
** AREA TO ACCESS ANGLE ADJUSTMENT

Sensors



Electronic (optical)

- DF-K PNP M12
- DF-J NPN M12
- DF-Y PNP M12 White LED