

UCBM 63

Pneumatic power clamps Ø63 mm with hand lever

Pneumatic power clamps with compensation system, toggle-joint mechanism and stepless adjustable opening angle, typically used for handling and holding metal sheets in welding applications

- Lightweight aluminium construction
- Compact dimensions
- Integrated compensation system up to 2,7 mm
- Hand lever mount on both sides
- Fully optical electronic sensor or pneumatic sensor
- Fixing pattern on 4 sides
- Manual unlocking in case of air loss
- Self-holding system for open position available
- Clamping arm in aluminium or steel

CHARACTERISTICS

Operating temperature	5° ÷ 45° C
Min./Max. Operating pressure	0,4 / 0,6 MPa
Opening angle*	0° ÷ 135°
Bore Ø	63 mm
Holding moment	1750 Nm
Clamping moment (0,5 MPa)	420 Nm
Weight (clamping arm not included)	3,6 Kg
Pneumatic supply ports	G1/4 on both sides
Sensor	electronic (optical)
Supply voltage	10 ÷ 30 Vdc
IP code	IP65

*The opening angle range may vary according to the arm position and style.

CODIFICATION KEY

UC	B	M	63	O	E	A	K	0		
1	2	3	4	5	6	7	8	9	10	



COMPENSATION



LIGHTWEIGHT



IRREVERSIBLE



ANGLE ADJUSTMENT



OPTICAL SENSOR



COMPACT

- 1 SERIES
UC = UNICLAMP Power clamps
- 2 STANDARD
B = European standard
- 3 VERSION
M = Pneumatic with hand lever

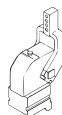
- 4 SIZE
63 = Ø63 mm

- 5 ARM POSITION

V = 90°



O = 180°



N = No arm



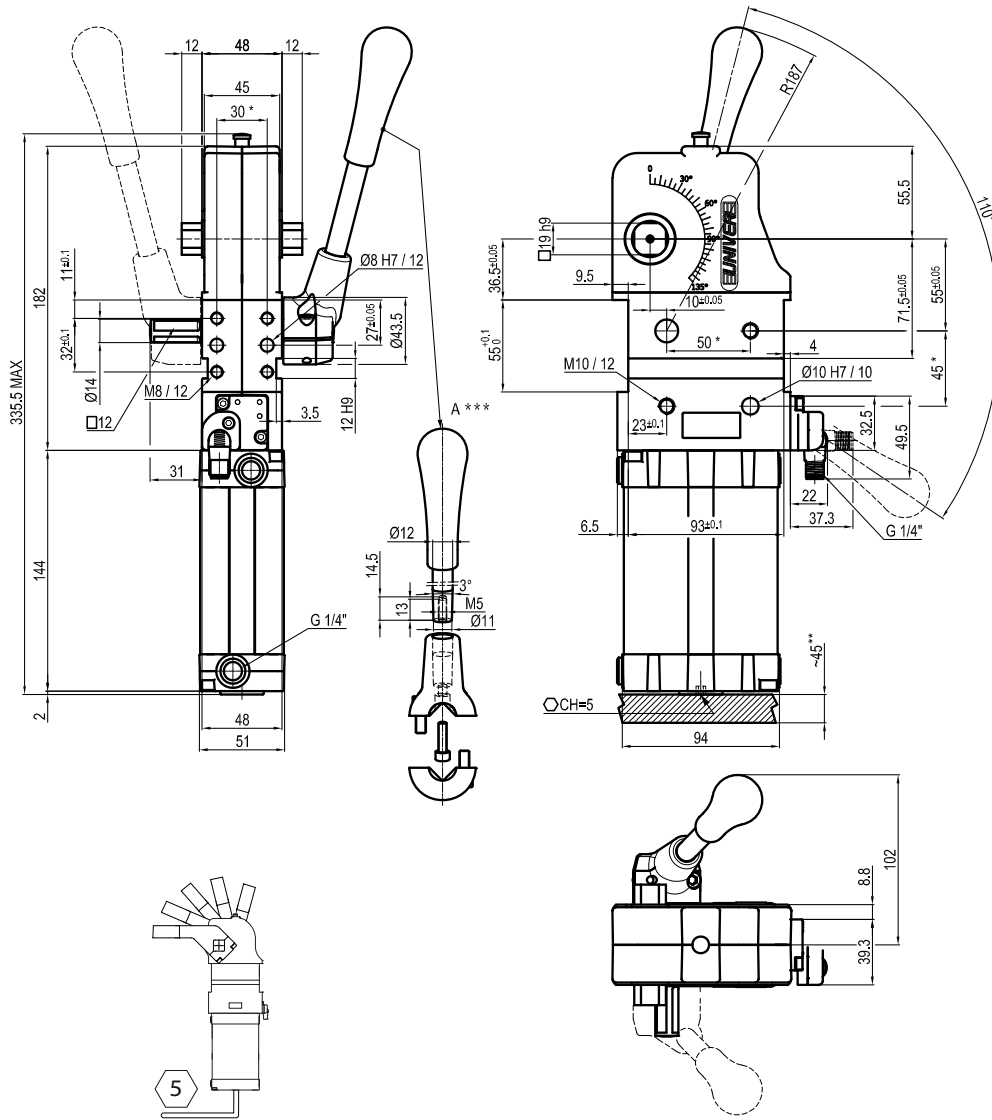
- 6 ARM STYLE
C = Central, 15 mm offset
D = Right, 15 mm offset
S = Left, 15 mm offset
E = Central, 45 mm offset
F = Right, 45 mm offset
L = Left, 45 mm offset
N = No arm
For other versions contact our Sales Dept.

- 7 ARM TYPE
A = Aluminium
S = Steel
N = No arm

- 8 SENSOR
N = No sensor (with protection plate)
K = Electronic sensor PNP, M12 (DF-K)
D = Pneumatic sensor (DF-UPNW)
J = Electronic sensor NPN, optical (DF-J)
Y = Electronic sensor PNP, M12 (DF-Y) white LED

- 9 PRODUCT REVISION
Assigned by UNIVER

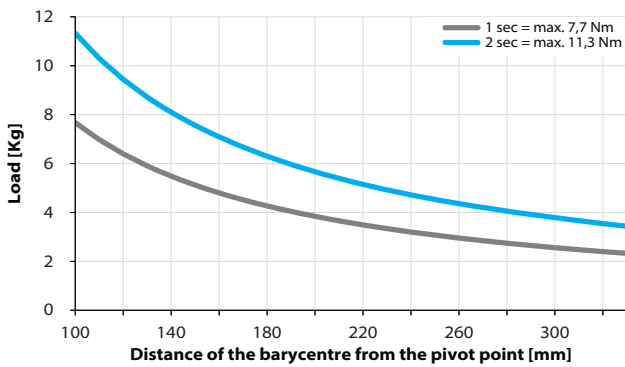
- 10 ATEX
X = ATEX option
See ATEX Catalogue for types and versions



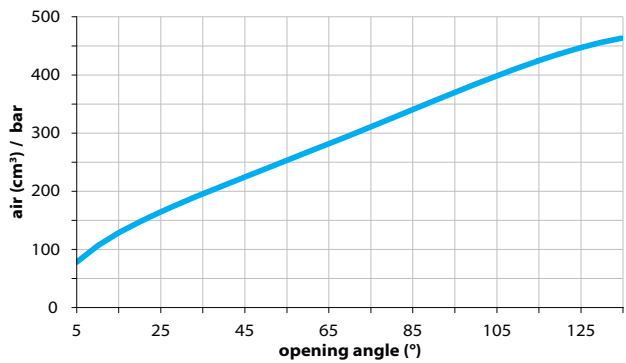
* TOLERANCE BETWEEN DOWELS $\pm 0,02$, BETWEEN SCREW HOLES $\pm 0,1$
 ** AREA TO ACCESS ANGLE ADJUSTMENT
 *** DIMENSION TO BE RESPECTED IN CASE OTHER MANUAL LEVERS ARE USED

Maximum Applicable Load

Pressure: 5 bar - 90° cycle time (Open - Close)



Air Consumption per Cycle

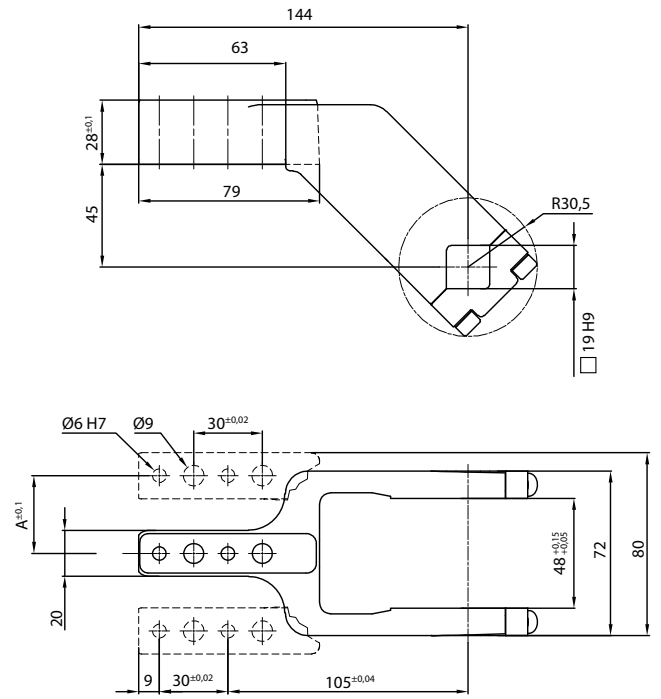
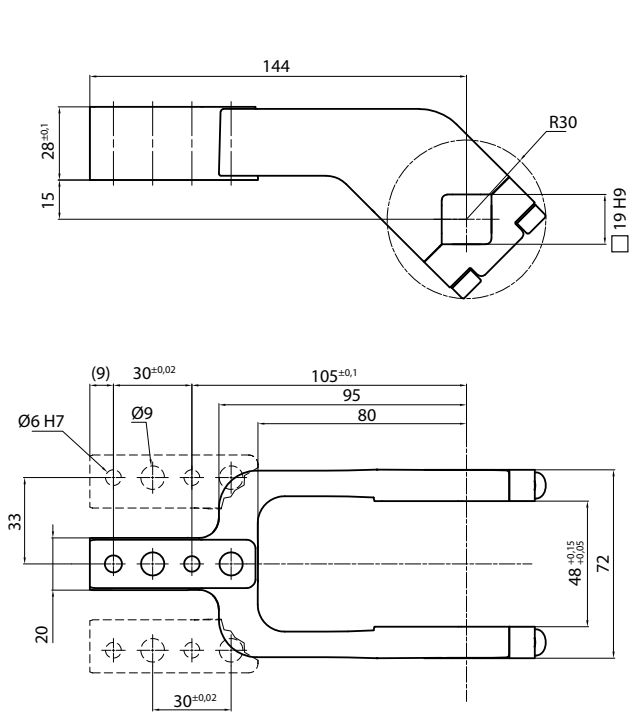


Clamping Arms

Arm Offset 15mm

Arm Offset 45mm

2



Armcode	Offset	Material	Arm style	Weight (Kg)	Opening angle (90°)	Opening angle (180°)
LKP00CL	15	ALUMINIUM	CENTRAL	0,4	0±135°	0±105°
LKP00DL	15	ALUMINIUM	RIGHT	0,4	0±135°	0±105°
LKP00SL	15	ALUMINIUM	LEFT	0,4	0±135°	0±105°
UP210151441G	15	STEEL	CENTRAL	0,8	0±135°	0±105°
UP210151442G	15	STEEL	RIGHT	0,8	0±135°	0±105°
UP210151443G	15	STEEL	LEFT	0,8	0±135°	0±105°
UKP5063E	45	ALUMINIUM	CENTRAL	0,45	0±135°	0±135°
UKP63F	45	ALUMINIUM	RIGHT	0,45	0±135°	0±135°
UKP63L	45	ALUMINIUM	LEFT	0,45	0±135°	0±135°
UKP5063ES	45	STEEL	CENTRAL	1,16	0±135°	0±135°
UKP63FS	45	STEEL	RIGHT	1,16	0±135°	0±135°
UKP63LS	45	STEEL	LEFT	1,16	0±135°	0±135°

Sensors

Accessories



Electronic (optical)

Pneumatic

Handlever

Self holding system

DF-K PNP M12
DF-J NPN M12
DF-Y PNP M12 White LED

DF-UPNW

UBF255063

UBK46P19