

UAGP 355

Pneumatic power pivot 350 Nm with brake

Pneumatic power pivot with brake typically used to rotate and dump fixtures and parts in a desired position.



- High repeatability
- Mechanical stops
- Integrated flow control system
- Double pneumatic cushioning
- Fixing ports on 4 sides
- Tapered roller bearings to support heavy load
- Orientable table in 4 pre-set positions
- Version with sensor on the brake available

CHARACTERISTICS

| | |
|---------------------------------------|----------------------|
| Operating temperature | 5° ÷ 45° C |
| Min./Max. Operating pressure | 0,4 / 0,6 MPa |
| Bore Ø | 160 mm |
| Pivot rotation | 45°/60°/90°/120° |
| Holding moment | 8000 Nm |
| Max. torque at rotary table (0,55MPa) | 350 Nm |
| Weight | 55 kg |
| Pneumatic supply ports | G3/4 |
| Body sensor | electronic (optical) |
| Brake sensor | electronic |
| Supply voltage | 10 ÷ 30 Vdc |
| IP code | IP 65 |

CODIFICATION KEY

| | | | | | | | | | |
|-----|---|-----|---|---|-----|---|---|---|----|
| UAG | P | 355 | O | A | 090 | B | S | 0 | |
| 1 | 2 | 3 | 4 | 5 | 6 | 7 | 8 | 9 | 10 |



OPTICAL SENSOR



FLOW CONTROL SYSTEM



HIGH REPEATABILITY

1

SERIES
UAG = UNICLAMP Power pivot

2

VERSION
P = Pneumatic

3

SIZE
355 = 350 Nm Ø 160 mm

4

TABLE POSITION
O = Horizontal 90°
P = Horizontal mirror of "O"
V = Vertical 180°
Z = Vertical mirror of "V"
*Max opening angle 60°

5

SENSOR
N = No sensor (with protection plate)
K = Electronic sensor PNP, M12 (DF-K)
Y = Electronic sensor PNP, M12 (DF-Y) white LED
J = Electronic sensor NPN, M12 (DF-J)
A = Electronic sensor PNP, optical for opening angle, M12 (DF-K) + brake sensor (DF-S)

6

PIVOT ROTATION
120 = 120°
090 = 90°
060 = 60°
045 = 45°

7

BRAKE SYSTEM
B = With brake
M = With brake and manual unlock

8

CONNECTIONS
S = Left side (Standard)
D = Right side
F = Front side
P = Rear side



9

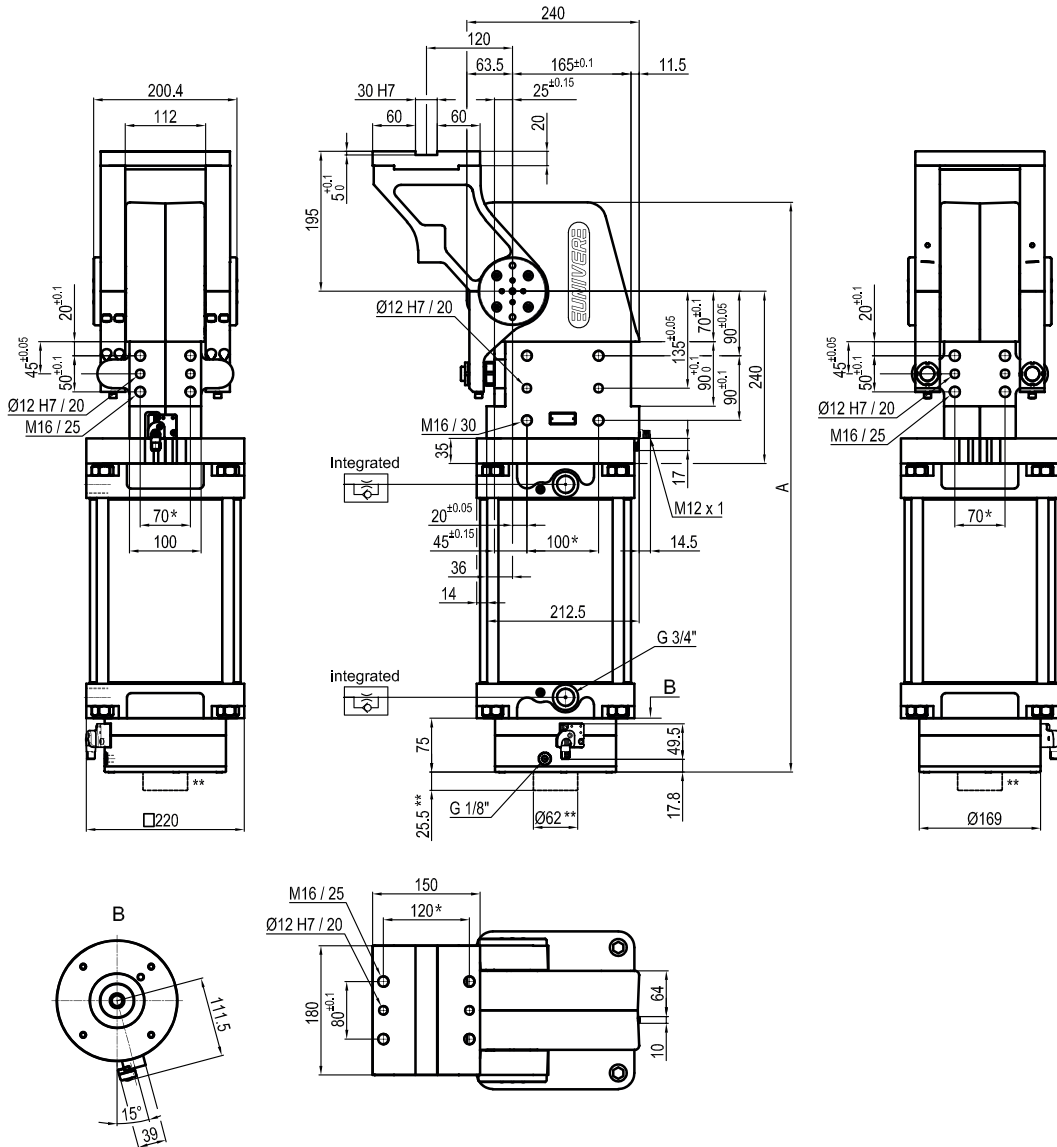
PRODUCT REVISION
Assigned by UNIVER

10

ATEX
X = ATEX option
See ATEX Catalogue for types and versions

Horizontal 90°

5



*TOLERANCE BETWEEN DOWELS ± 0,02 BETWEEN SCREW HOLES ± 0,1
 **VERSION WITH BRAKE UNLOCK *M*

| Pivot rotation (°) | A |
|--------------------|-----|
| 45° | 691 |
| 60° | 707 |
| 90° | 744 |
| 120° | 784 |

Sensors

Body



Electronic (optical)

- DF-K PNP M12
- DF-J NPN M12
- DF-Y PNP M12 White LED

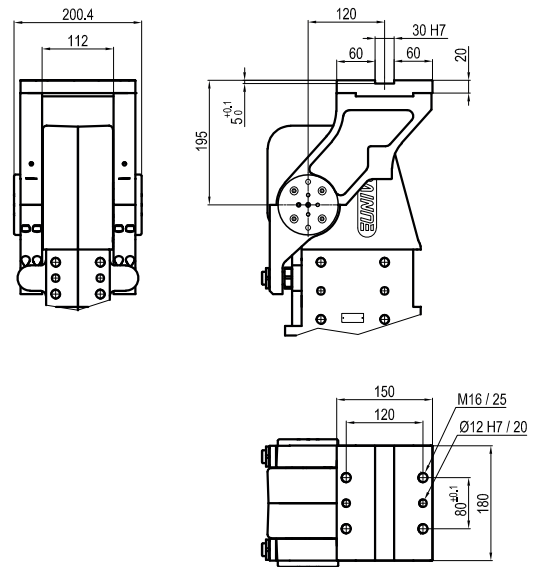
Brake



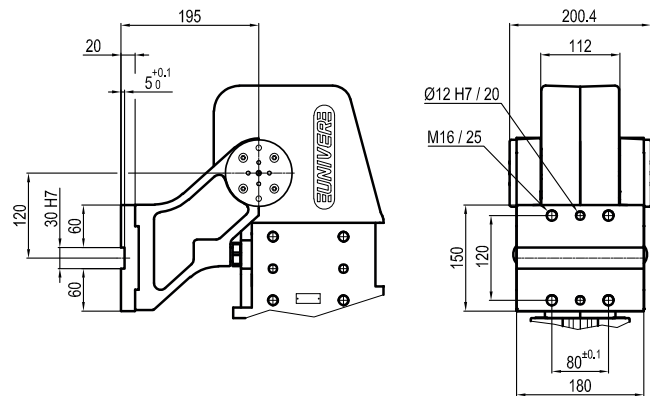
Electronic

- DF-S PNP M12

P Horizontal
Mirror of "O" position



V Vertical 180°



Z Vertical
Mirror of "V" position

