

# UAGP 300

Pneumatic power pivot 300 Nm with brake

Pneumatic power pivot with brake typically used to rotate and dump fixtures and parts in a desired position.



- High repeatability
- Mechanical stops
- Integrated flow control system
- Double pneumatic cushioning
- Fixing ports on 4 sides
- Tapered roller bearings to support heavy load
- Orientable table in 4 pre-set positions
- Version with sensor on the brake available

## CHARACTERISTICS

Operating temperature	5° ÷ 45° C
Min./Max. Operating pressure	0,4 / 0,6 MPa
Bore Ø	160 mm
Pivot rotation	45°/60°/90°/120°
Holding moment	6000 Nm
Max. torque at rotary table (0,55MPa)	300 Nm
Weight	39,3 kg
Pneumatic supply ports	G3/4
Body sensor	electronic (optical)
Brake sensor	electronic
Supply voltage	10 ÷ 30 Vdc
IP code	IP 65

## CODIFICATION KEY

UAG	P	300	O	A	090	B	S	0	
1	2	3	4	5	6	7	8	9	10



OPTICAL SENSOR



FLOW CONTROL SYSTEM



HIGH REPEATABILITY

1

**SERIES**  
UAG = UNICLAMP Power pivot

2

**VERSION**  
P = Pneumatic

3

**SIZE**  
300 = 300 Nm Ø 160 mm

4

**TABLE POSITION**  
O = Horizontal 90°  
P = Horizontal mirror of "O"  
V = Vertical 180°  
Z = Vertical mirror of "V"  
\*Max opening angle 60°

5

**SENSOR**  
N = No sensor (with protection plate)  
K = Electronic sensor PNP, M12 (DF-K)  
Y = Electronic sensor PNP, M12 (DF-Y) white LED  
J = Electronic sensor NPN, M12 (DF-J)  
A = Electronic sensor PNP, optical for opening angle, M12 (DF-K) + brake sensor (DF-S)

6

**PIVOT ROTATION**  
120 = 120°  
090 = 90°  
060 = 60°  
045 = 45°

7

**BRAKE SYSTEM**  
B = With brake  
M = With brake and manual unlock

8

**CONNECTIONS**  
S = Left side (Standard)  
D = Right side  
F = Front side  
P = Rear side



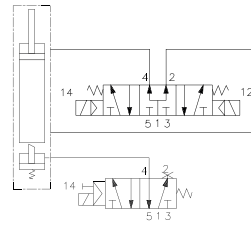
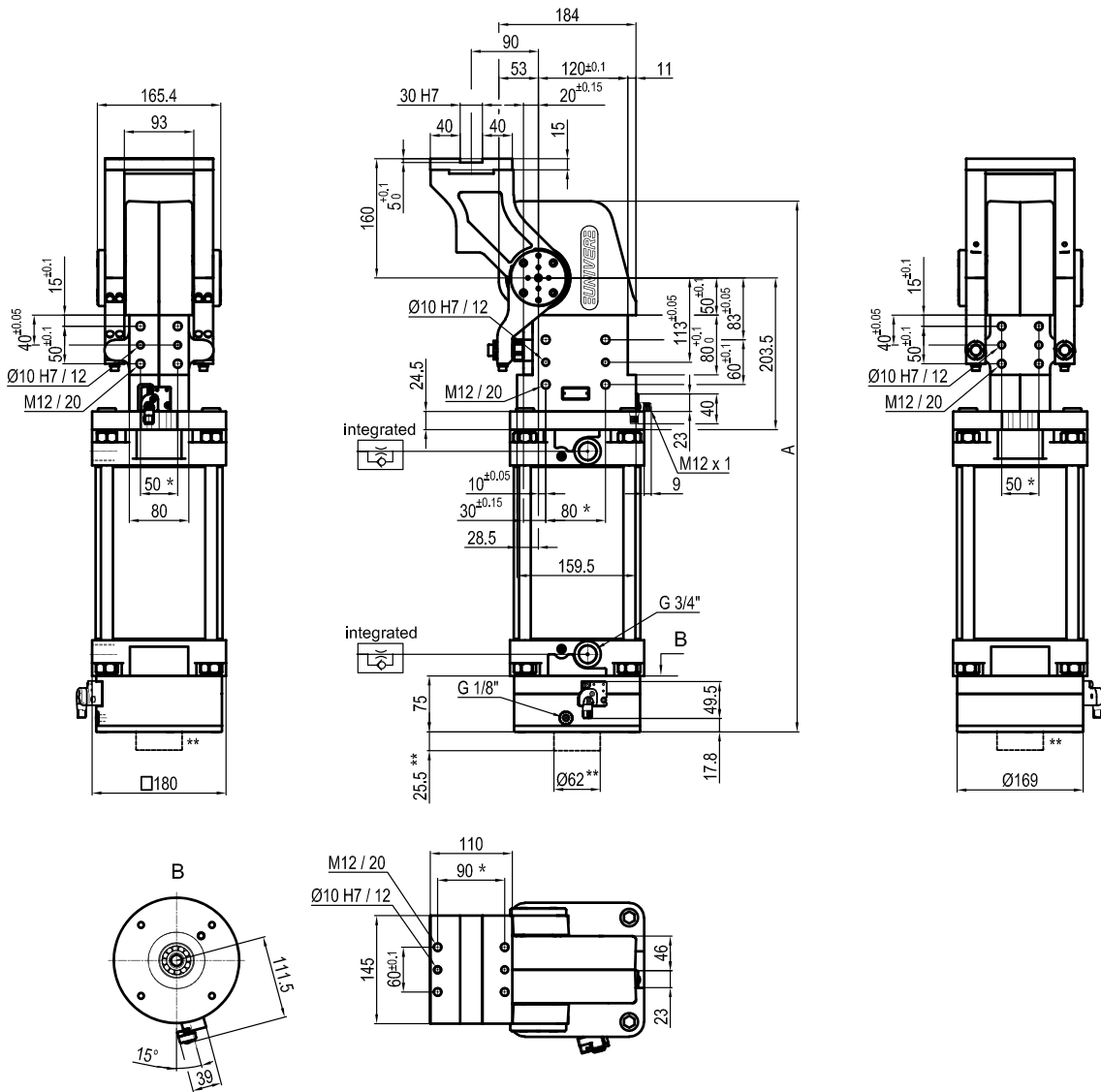
9

**PRODUCT REVISION**  
Assigned by UNIVER

10

**ATEX**  
X = ATEX option  
See ATEX Catalogue for types and versions

Horizontal 90°



Pivot rotation (°)	A
45°	633
60°	647
90°	678
120°	712

\*TOLERANCE BETWEEN DOWELS  $\pm 0,02$  BETWEEN SCREW HOLES  $\pm 0,1$   
 \*\*VERSION WITH BRAKE UNLOCK \*M\*

Sensors

Body



Brake



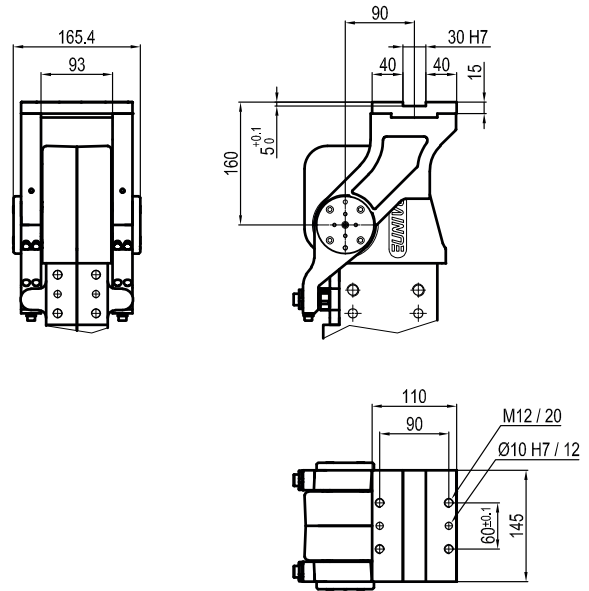
Electronic (optical)

- DF-K PNP M12
- DF-J NPN M12
- DF-Y PNP M12 White LED

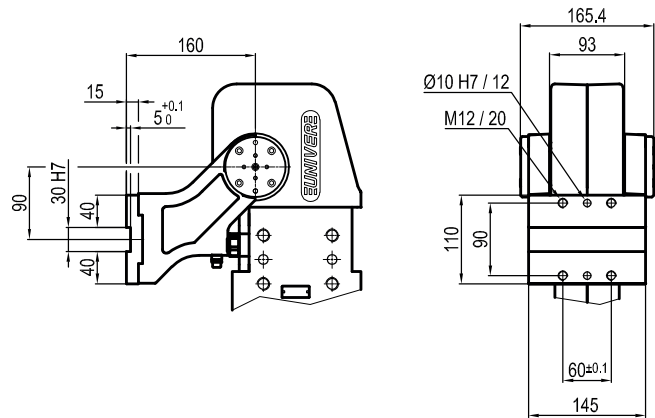
Electronic

- DF-S PNP M12

**P** Horizontal  
Mirror of "O" position



**V** Vertical 180°



**Z** Vertical  
Mirror of "V" position

