

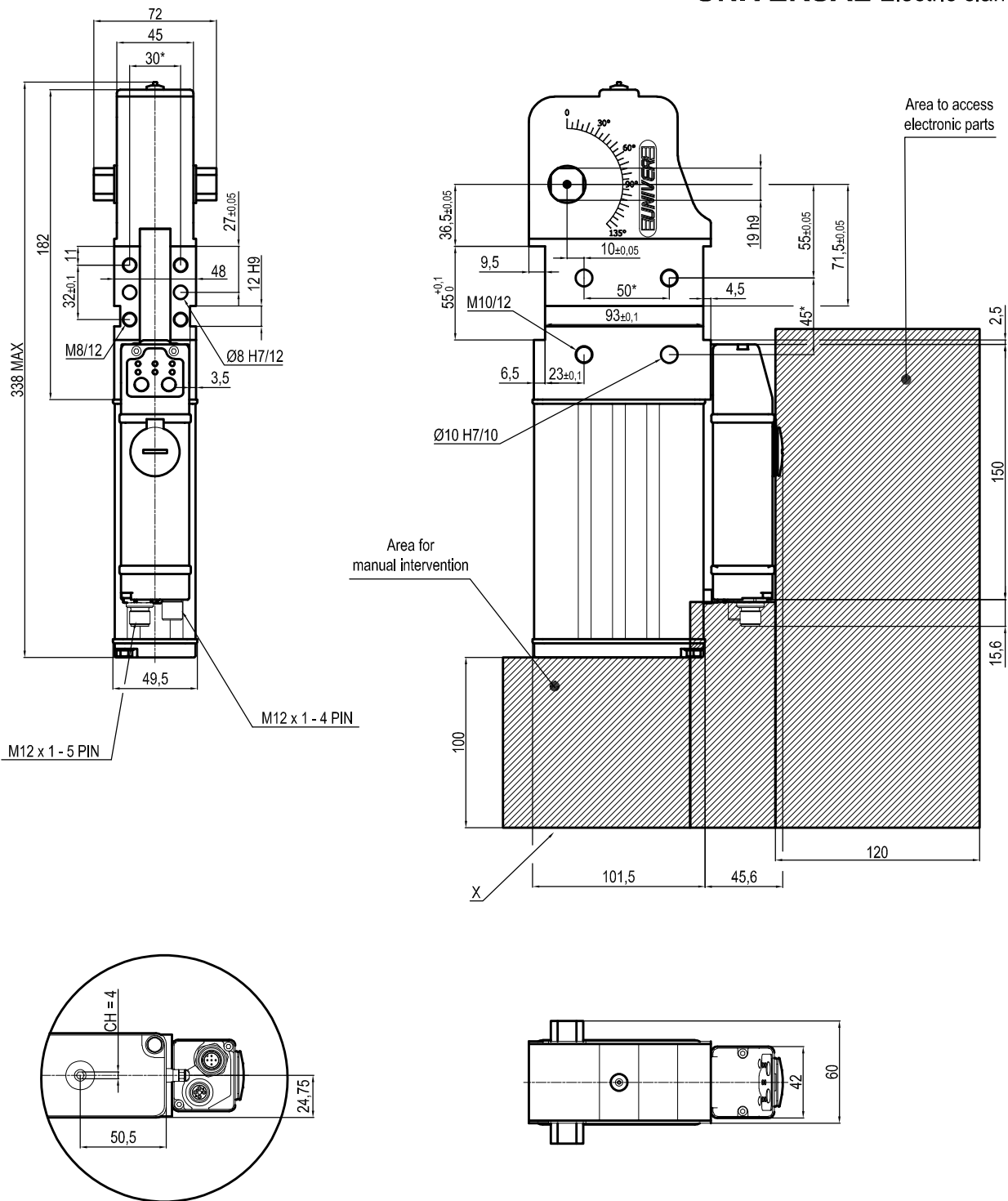
LAE225

Unità di bloccaggio elettriche



L	A	E	2	2	5	V	C	3	1
1		2			3	4	5		

1 Serie LAE = Unità di bloccaggio elettriche	2 Taglia 225 = 225 Nm Fissaggi intercambiabili con unità di bloccaggio pneumatica, Ø50 mm	3 Posizione pressore N = Senza pressore O = 180° V = 90°
4 Tipologia di pressore C = Centrale, 15 mm offset D = Destro, 15 mm offset S = Sinistro, 15 mm offset N = Senza pressore	5 Unità di controllo 31 = 1 connettore M12 4 poli T CODE +1 connettore M12 5 poli A CODE	

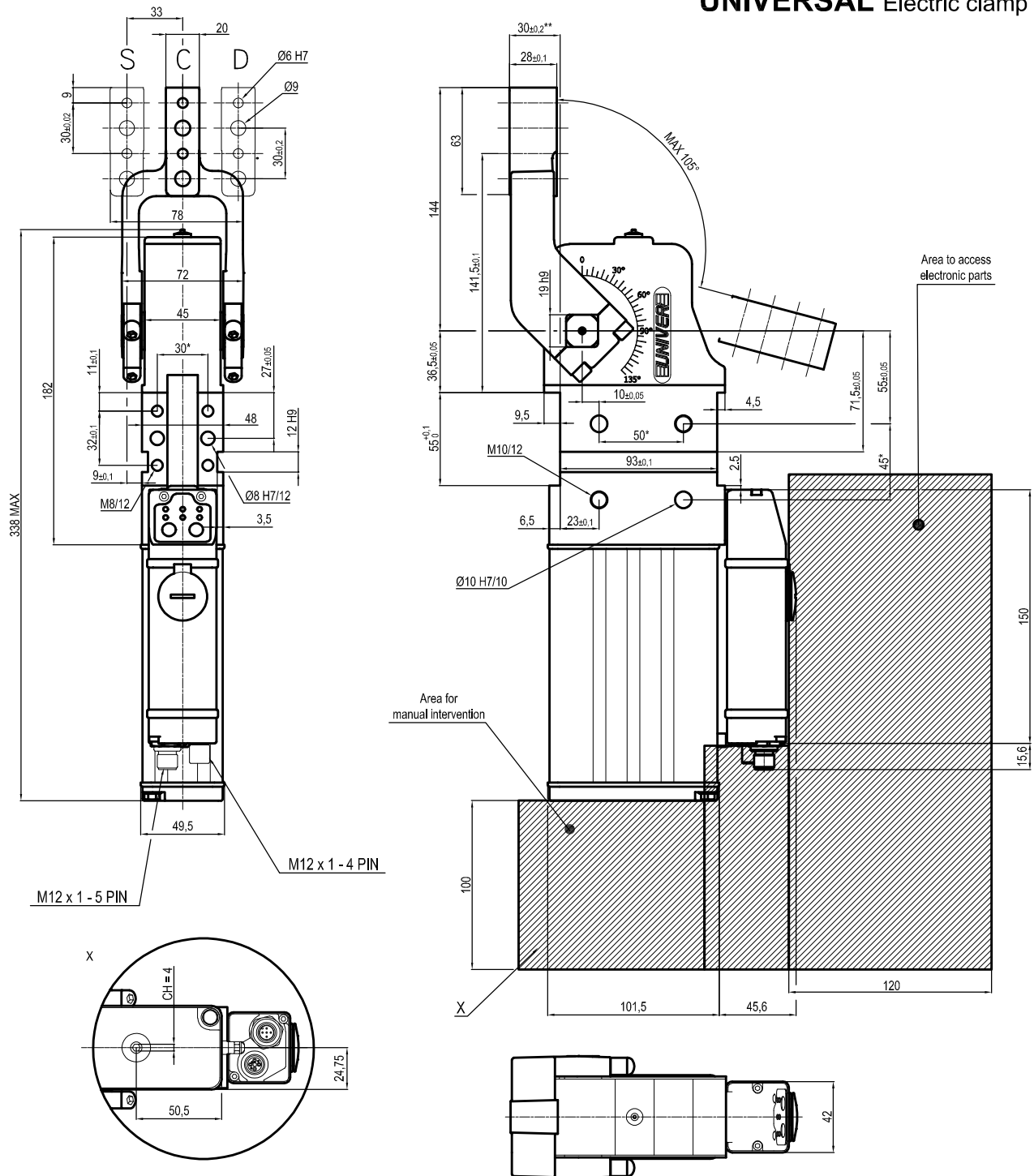


Size	Clamping moment	Closing time**	Weight
225	225 Nm	1 sec x 90°	4.3 Kg

Operating temperature : 5° + 40° C
 Opening angle : -
 IP code : IP 65

* : TOLERANCE BETWEEN DOWELS ± 0.02, TO SCREW HOLES ± 0.1
 ** : FOR MORE DETAILS SEE TECHNICAL SPECIFICATIONS

UNIVERSAL Electric clamp



Size	Clamping moment	Closing time***	Weight (Without arm)
225	225 Nm	1 sec x 90°	4.3 Kg

Operating temperature : 5° + 40° C
 Opening angle : 105° - 90° - 75° - 60° - 45° - 30° - 15°
 Horizontal arm mount position
 IP code : IP 65

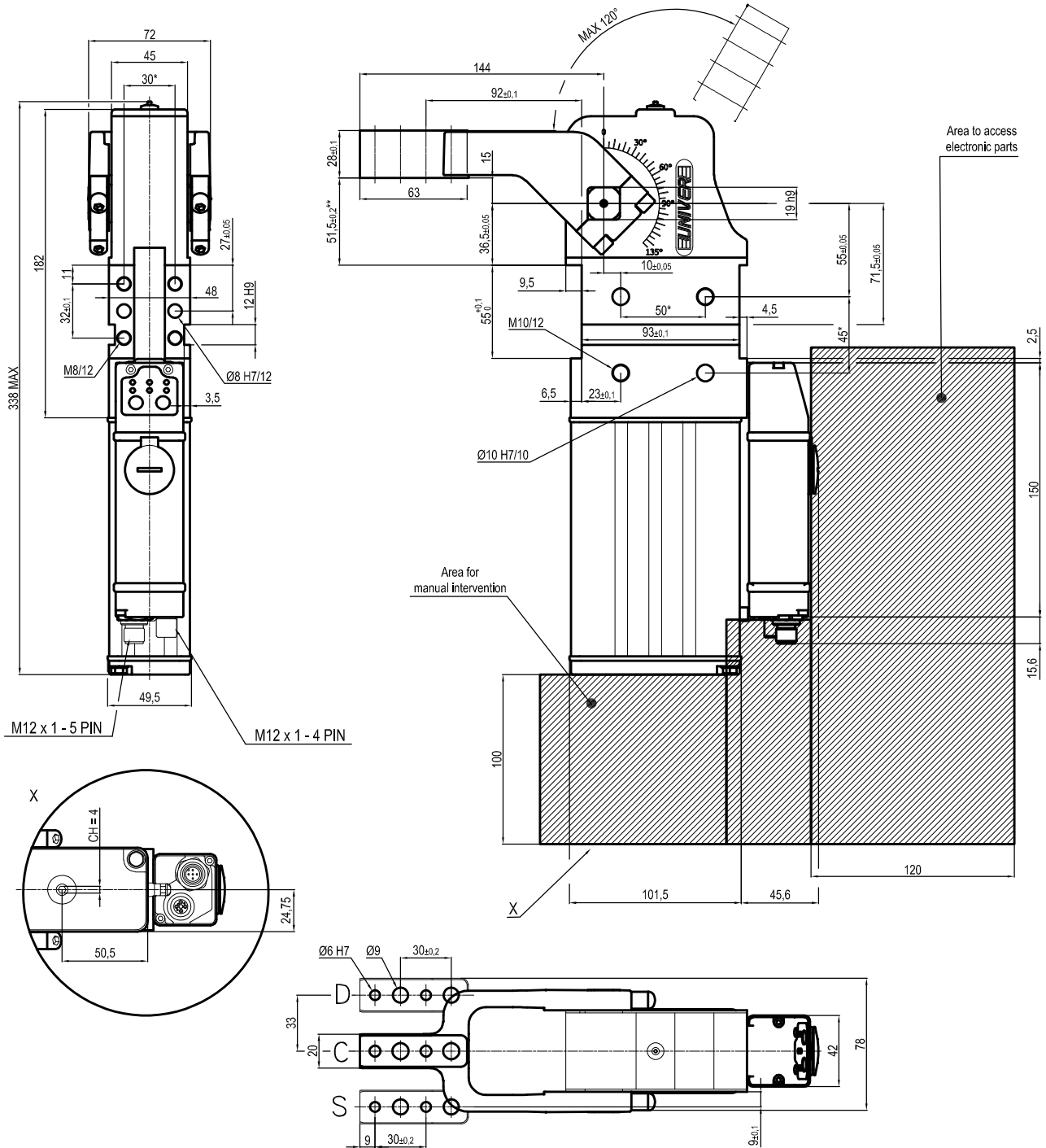
* : TOLERANCE BETWEEN DOWELS ± 0.02, TO SCREW HOLES ± 0.1

** : TOLERANCE AT 80mm FROM PIVOT POINT

*** : FOR MORE DETAILS SEE TECHNICAL SPECIFICATIONS

Subject to technical modifications without notice

UNIVERSAL Electric clamp



Size	Clamping moment	Closing time***	Weight (Without arm)
225	225 Nm	1 sec x 90°	4.3 Kg

Operating temperature : 5° + 40° C
 Opening angle : 120° - 105° - 90° - 75° - 60° - 45° - 30° - 15°
 Vertical arm mount position
 IP code : IP 65

* : TOLERANCE BETWEEN DOWELS ± 0.02, TO SCREW HOLES ± 0.1

** : TOLERANCE AT 80mm FROM PIVOT POINT

*** : FOR MORE DETAILS SEE TECHNICAL SPECIFICATIONS

Subject to technical modifications without notice