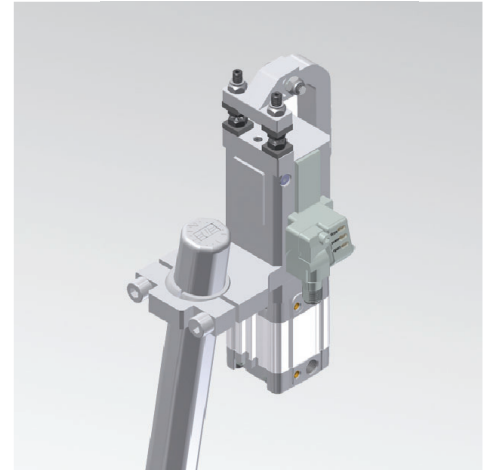
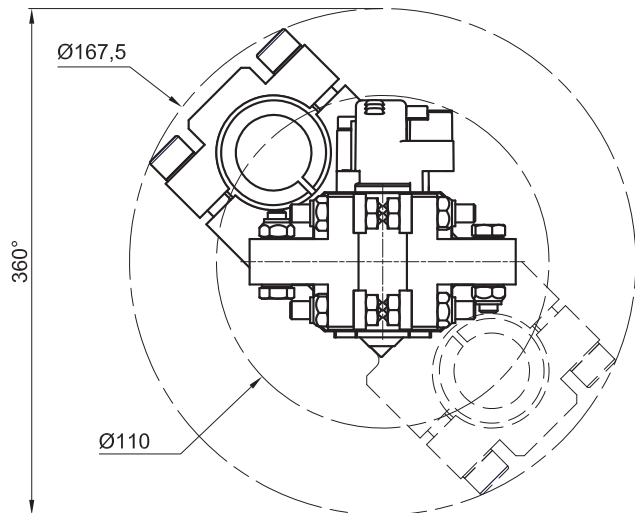
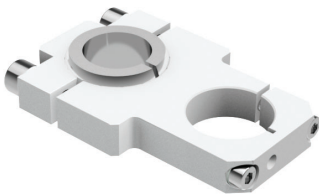


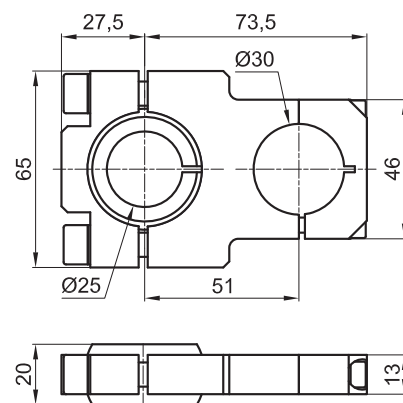
Orbital mounts for grippers



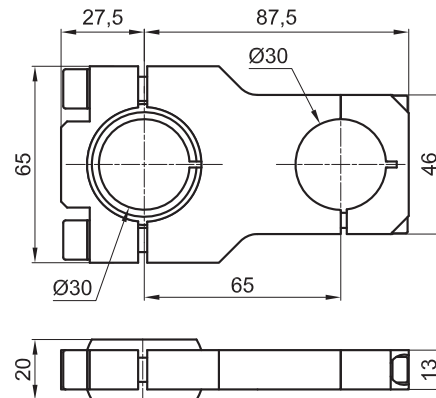
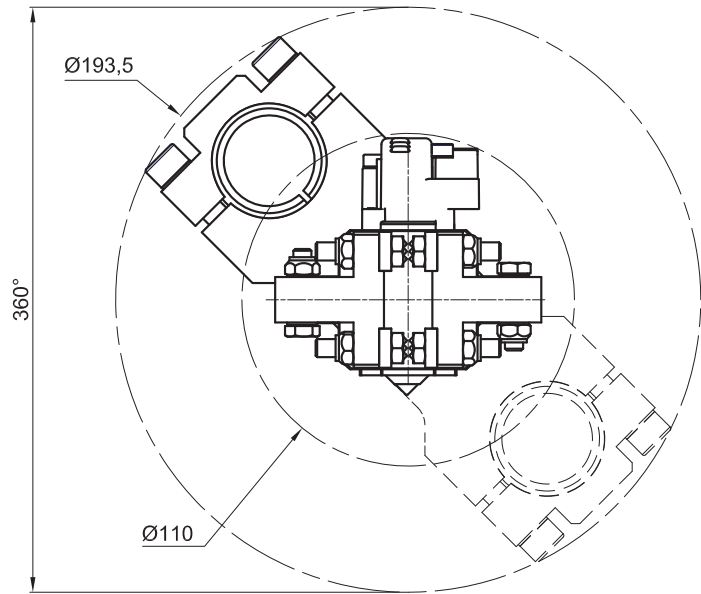
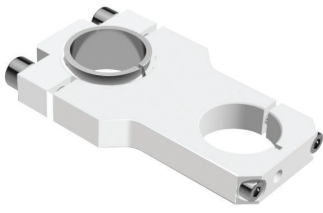
LGP32MO25 Orbital mount 360°, ball Ø25 mm for grippers Ø32



Material:	Aluminium
Weight:	0,172 kg (Bore Ø 32 mm)



LGP32MO30 Orbital mount 360°, ball Ø30 mm for grippers Ø32

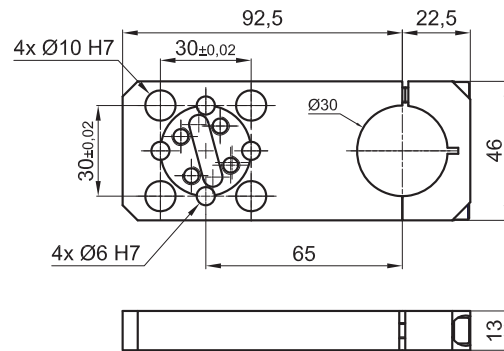
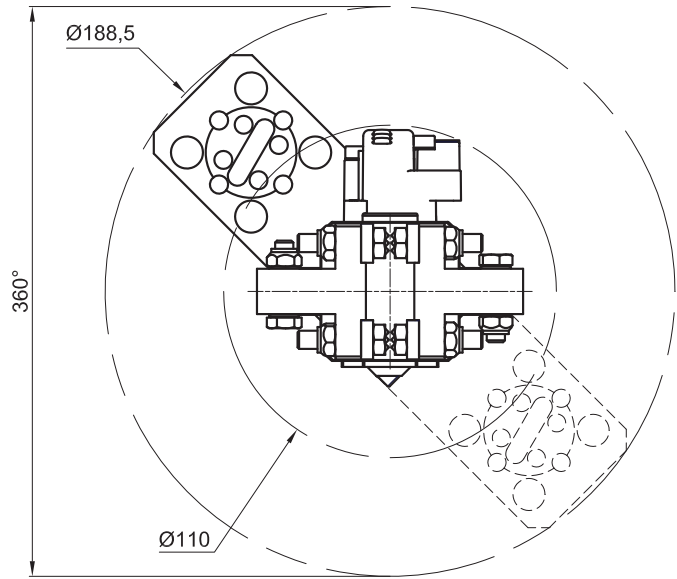


Material:	Aluminium
Weight:	0,2 kg (Bore Ø 32 mm)

LGP32MP Middle flange mount for grippers Ø32



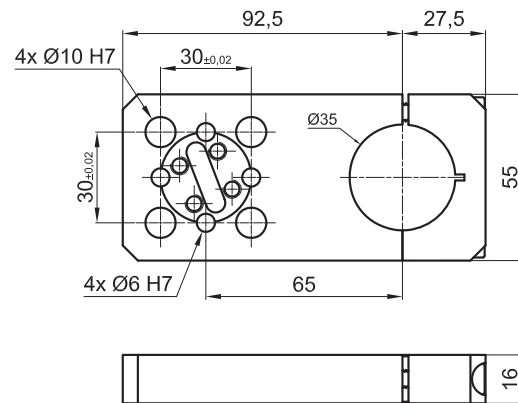
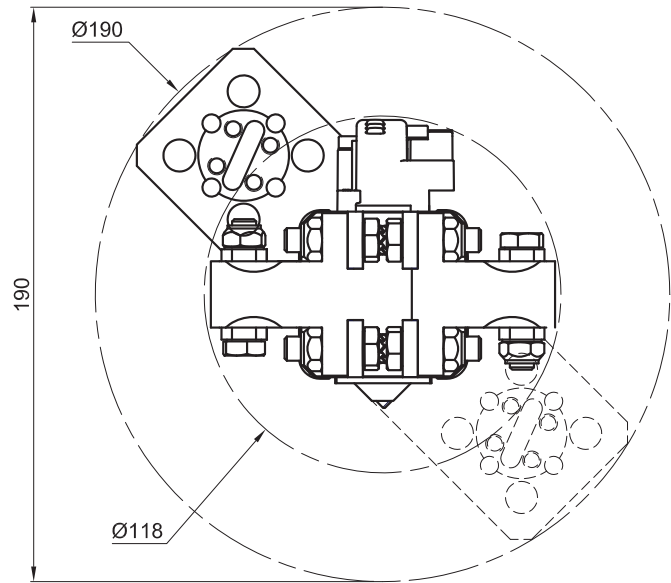
Material:	Aluminium
Weight:	0,140 kg (Bore Ø 32 mm)



LGP40MP Middle flange mount for grippers Ø40



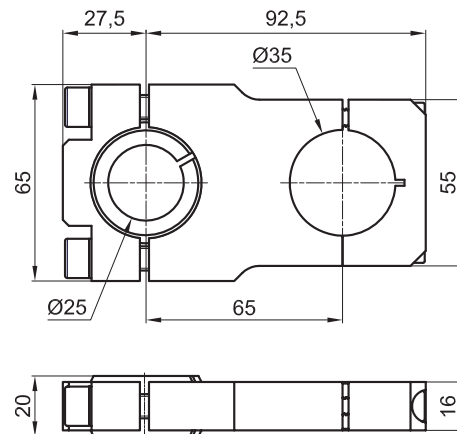
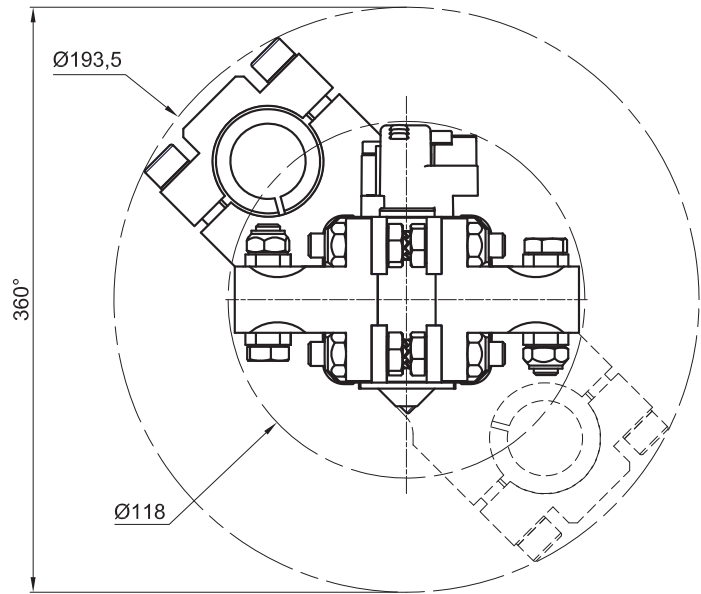
Material:	Aluminium
Weight:	0,2 kg (Bore Ø 40 mm)



LGP40MO25 Orbital mount 360°, ball Ø25 mm for grippers Ø40



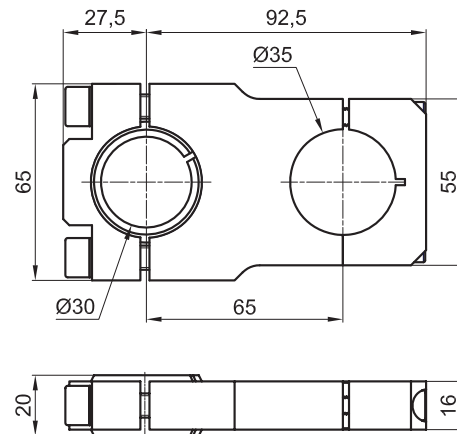
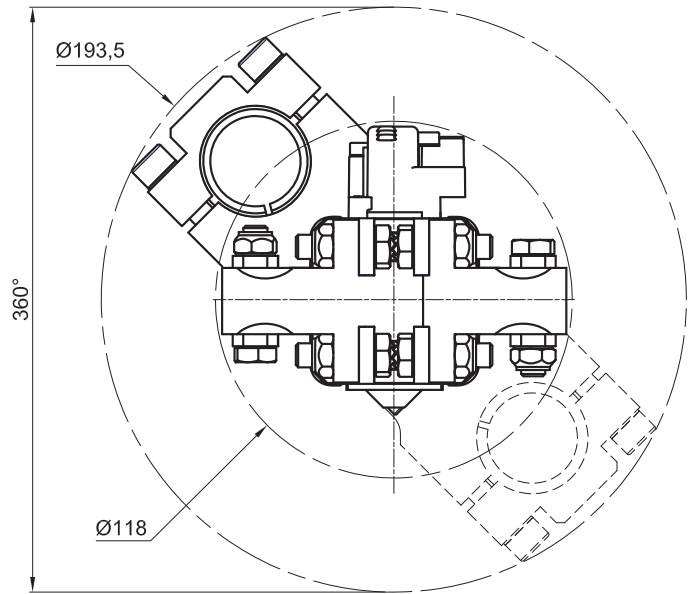
Material:	Aluminium
Weight:	0,3 kg (Bore Ø 40 mm)



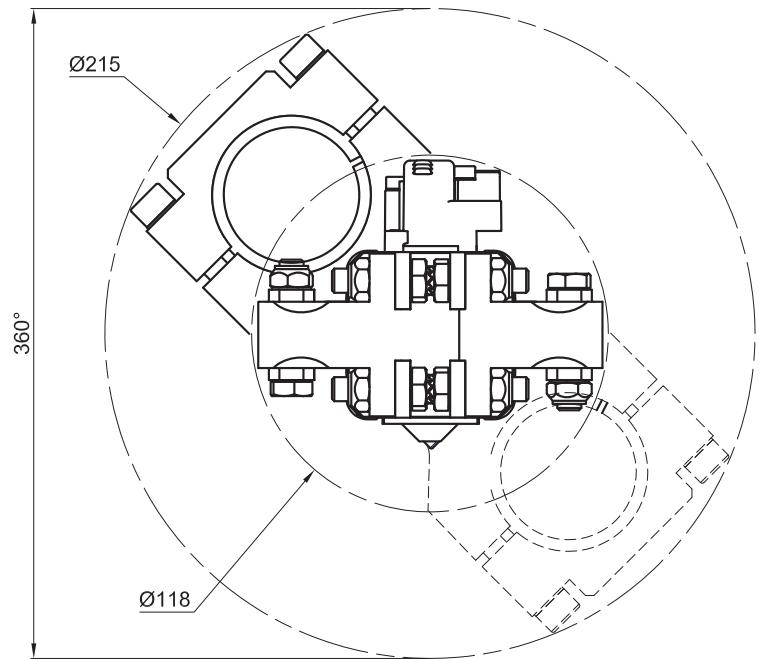
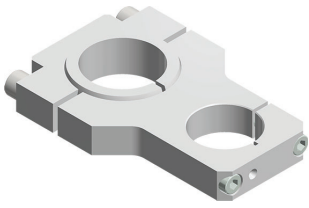
LGP40MO30 Orbital mount 360°, ball Ø30 mm for UGPS40 for grippers Ø40



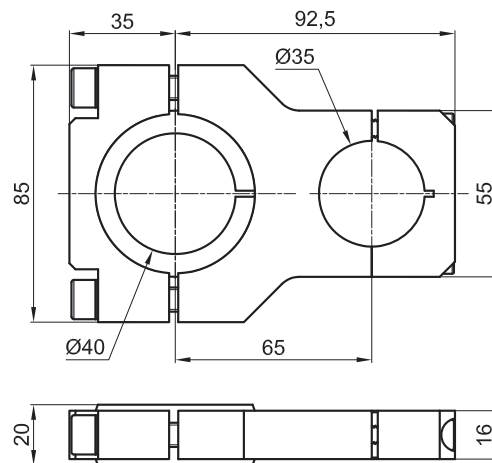
Material:	Aluminium
Weight:	0,3 kg (Bore Ø 40 mm)



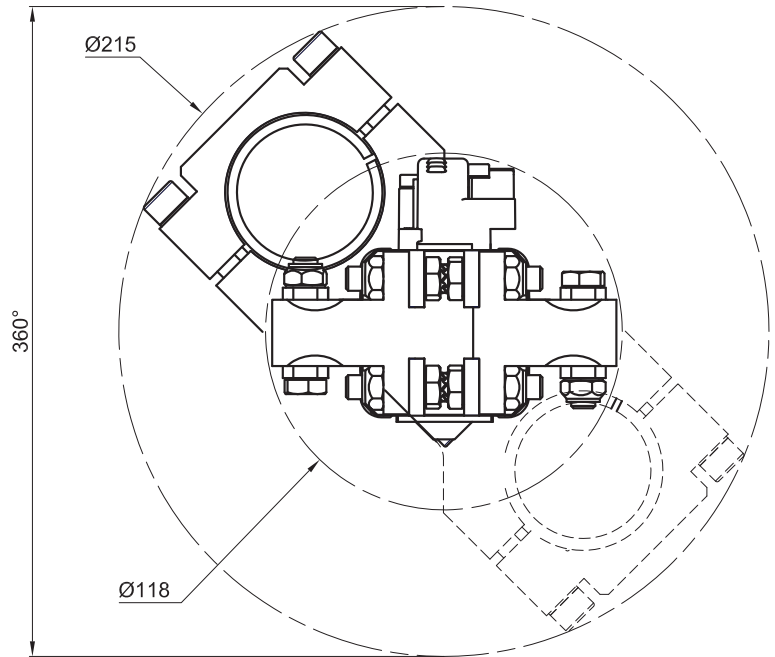
LGP40MO40 Orbital mount 360°, ball Ø40 mm for grippers Ø40



Material: Aluminium
Weight: 0,30 kg (bore Ø 40 mm)



LGP40MO45 Orbital mount 360°, ball Ø45 mm for grippers Ø40



Material: Aluminium
Weight: 0,3 kg (bore Ø 40 mm)

