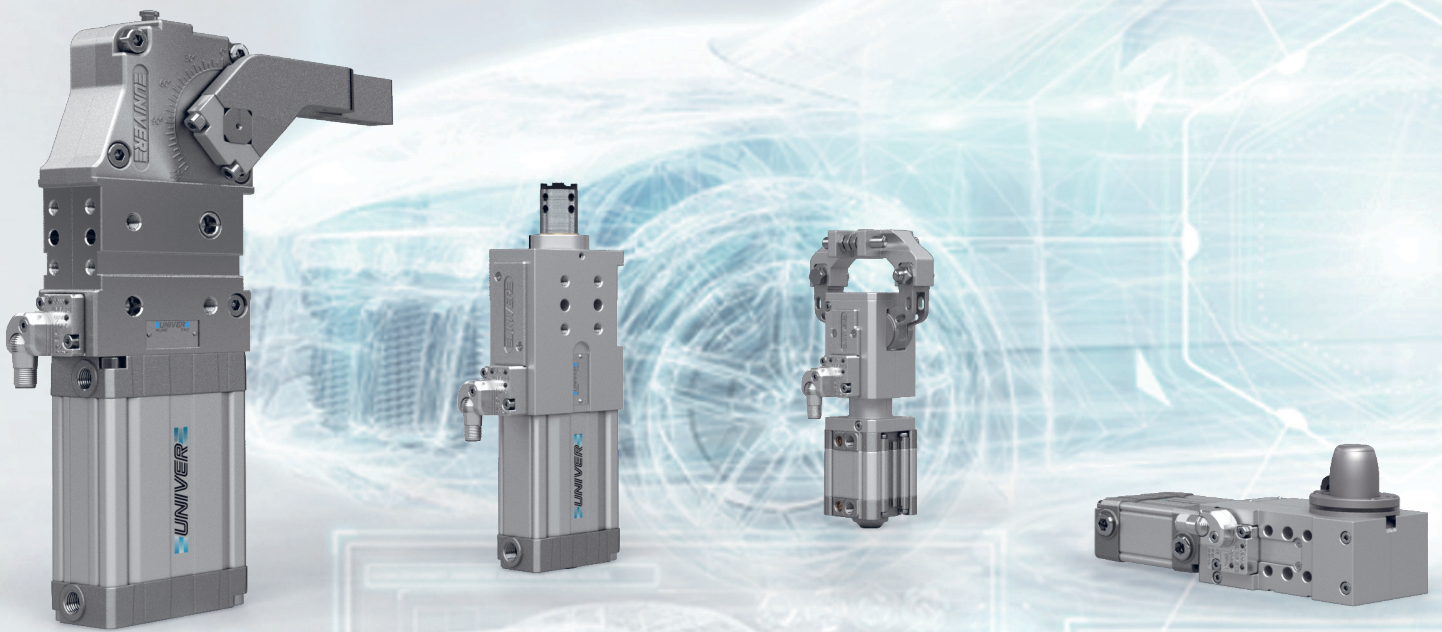


Technical **catalogue**



INDEX

1	MINICLAMP PNEUMATIC POWER CLAMPS	5
2	UNICLAMP BLUECLAMP <small>air saving</small> PNEUMATIC POWER CLAMPS	18
3	UNICLAMP PNEUMATIC RETRACATABLE LOCATING PIN UNITS	135
4	UNICLAMP PNEUMATIC GRIPPER UNITS	199
5	UNICLAMP PNEUMATIC POWER PIVOTS	225
6	UNICLAMP PNEUMATIC PIN CLAMPS	313
7	UNICLAMP PNEUMATIC MARKING UNITS	345

1

MINICLAMP

PNEUMATIC POWER CLAMPS

Ø25-32mm

UCBP25	2
UCBP32	5

Ø25-32mm with hand lever

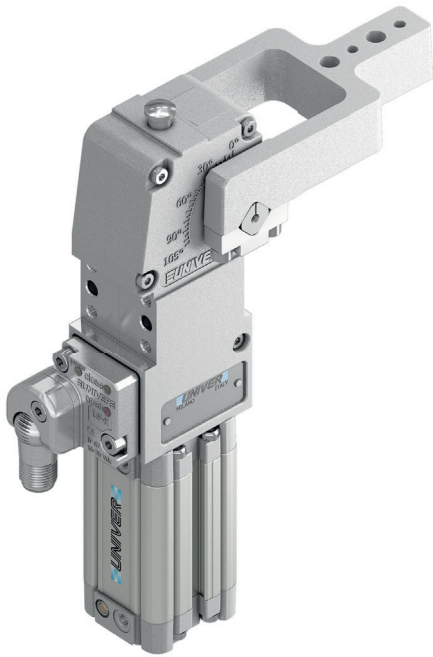
UCBM25	8
UCBM32	11

UCBP 25

Pneumatic power clamps Ø25 mm

Pneumatic Miniclamps with compensation system, toggle-joint mechanism and stepless adjustable opening angle, typically used for handling and blocking pieces in assembly process.

- Compact dimensions and lightweight
- Integrated compensation up to 0,9 mm
- Version with hand lever available
- Fully optical electronic sensor or pneumatic sensor
- Fixing pattern on 2 sides (front and back)
- Manual unlocking in case of air loss
- Wishbone clamping arm in aluminium



CHARACTERISTICS

Operating temperature	5° ÷ 45° C
Min./Max. Operating pressure	0,4 / 0,6 MPa
Opening angle*	0° ÷ 105°
Bore Ø	25 mm
Holding moment	75 Nm
Clamping moment (0,5 MPa)	25 Nm
Weight (clamping arm not included)	0,8 Kg
Pneumatic supply ports	M5
Sensor	electronic (optical)
Supply voltage	10 ÷ 30 Vdc
IP code	IP65

*The opening angle range may vary according to the arm position and style.

CODIFICATION KEY

UC | B | P | 25 | O | B | A | K | 0 | 10



COMPENSATION



LIGHTWEIGHT



IRREVERSIBLE



ANGLE ADJUSTMENT



OPTICAL SENSOR

1 SERIES
UC = UNICLAMP Power clamps

2 STANDARD
B = European standard

3 VERSION
P = Pneumatic

4 SIZE
25 = Ø 25mm

5 ARM POSITION

V = 90°



O = 180°



N = No arm



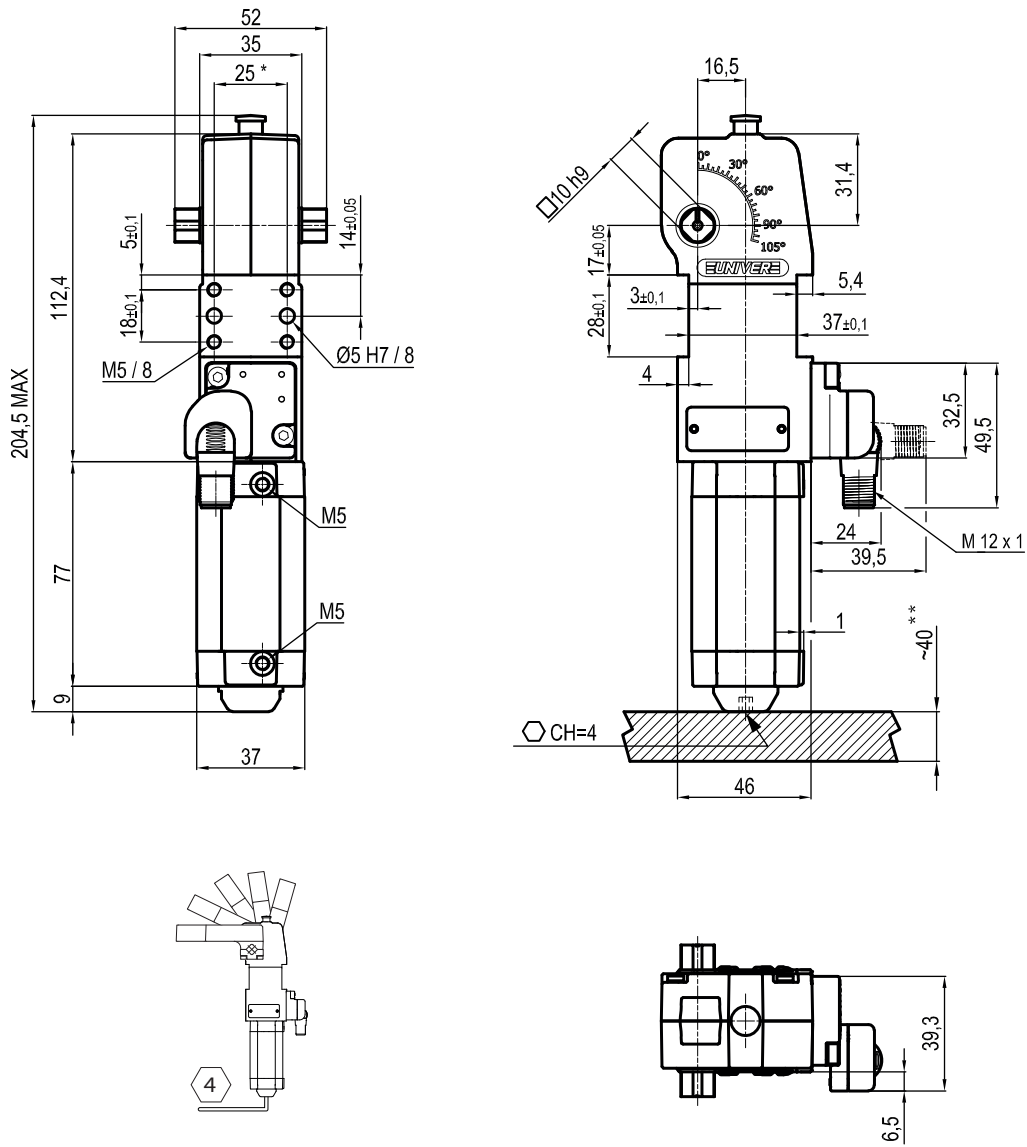
6 ARM STYLE
B = Central, 0mm offset
C = Central, 10mm offset
N = No arm
For other versions contact our Sales Dept.

7 ARM TYPE
A = Aluminium
N = No arm

8 SENSOR
N = No sensor (with protection plate)
K = Electronic sensor PNP, M12 (DF-K)
D = Pneumatic sensor (DF-UPNWS)
Y = Electronic sensor PNP, M12 (DF-Y) white LED
J = Electronic sensor NPN, M12 (DF-J)

9 PRODUCT REVISION
Assigned by UNIVER

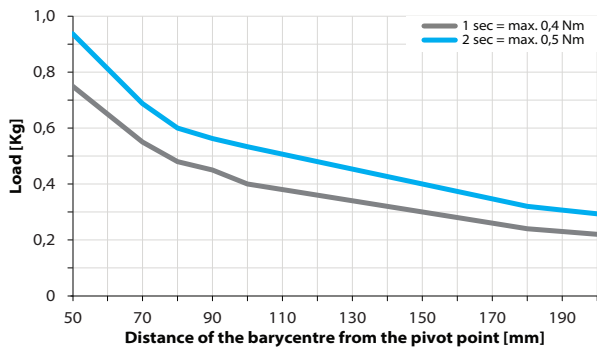
10 ATEX
X = ATEX option
See ATEX Catalogue for types and versions



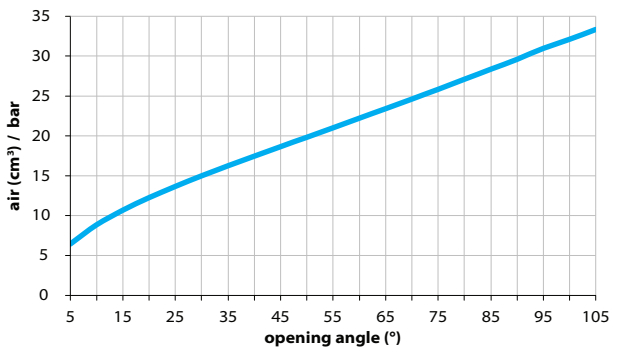
*TOLERANCE BETWEEN DOWELS $\pm 0,02$ BETWEEN SCREW HOLES $\pm 0,1$
 **AREA TO ACCESS ANGLE ADJUSTMENT

Maximum Applicable Load

Pressure: 5 bar - 90° cycle time (Open - Close)



Air Consumption per Cycle

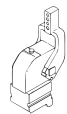
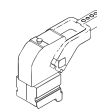
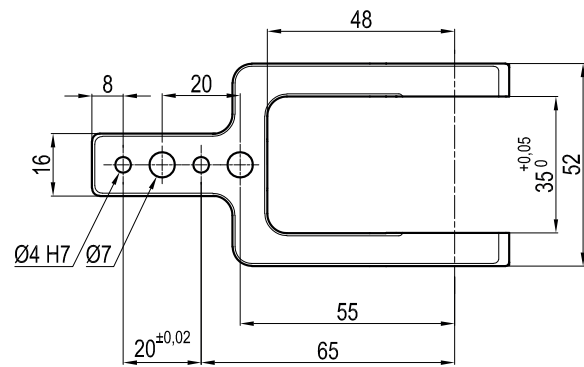
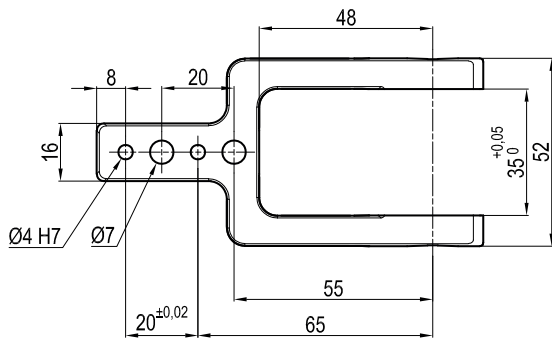
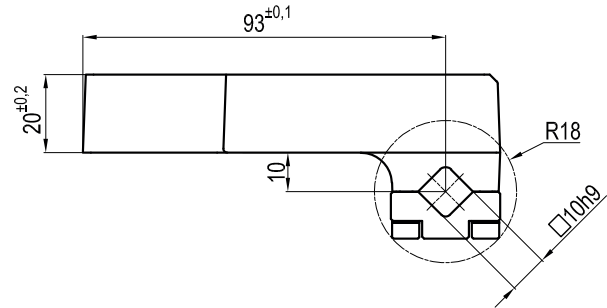
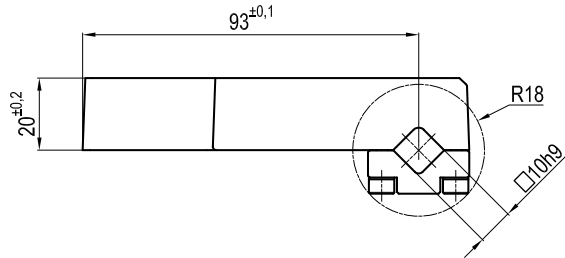


Clamping Arms

Arm Offset 0mm

Arm Offset 10mm

1



Armcode	Offset	Material	Arm style	Weight (Kg)	Opening angle (90°)	Opening angle (180°)
LKP25B	0	ALUMINIUM	CENTRAL	0,13	0±105°	0±105°
LKP25C	10	ALUMINIUM	CENTRAL	0,15	0±105°	0±105°

Sensors



Electronic (optical)

Pneumatic

DF-K PNP M12
DF-J NPN M12
DF-Y PNP M12 White LED

DF-UPNWS

UCBP 32

Pneumatic power clamps Ø32 mm

Pneumatic Miniclamps with compensation system, toggle-joint mechanism and stepless adjustable opening angle, typically used for handling and blocking pieces in assembly process.

- Compact dimensions and lightweight
- Integrated compensation up to 1,3 mm
- Version with hand lever available
- Fully optical electronic sensor or pneumatic sensor
- Fixing pattern on 4 sides
- Manual unlocking in case of air loss
- Self holding system for open position available
- Wishbone clamping arm in aluminium

1



CHARACTERISTICS

Operating temperature	5° ÷ 45° C
Min./Max. Operating pressure	0,4 / 0,6 MPa
Opening angle*	0° ÷ 135°
Bore Ø	32 mm
Holding moment	250 Nm
Clamping moment (0,5 MPa)	75 Nm
Weight (clamping arm not included)	1,3 Kg
Pneumatic supply ports	G1/8
Sensor	electronic (optical)
Supply voltage	10 ÷ 30 Vdc
IP code	IP65

*The opening angle range may vary according to the arm position and style.

CODIFICATION KEY

UC | B | P | 32 | O | E | A | K | 0 | 10



COMPENSATION



LIGHTWEIGHT



IRREVERSIBLE



ANGLE ADJUSTMENT



OPTICAL SENSOR

1 SERIES
UC = UNICLAMP Power clamps

2 STANDARD
B = European standard

3 VERSION
P = Pneumatic

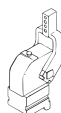
4 SIZE
32 = Ø 32mm

5 ARM POSITION

V = 90°



O = 180°



N = No arm



6 ARM STYLE
B = Central, 0mm offset
C = Central, 10mm offset
E = Central, 25mm offset
N = No arm
For other versions contact our Sales Dept.

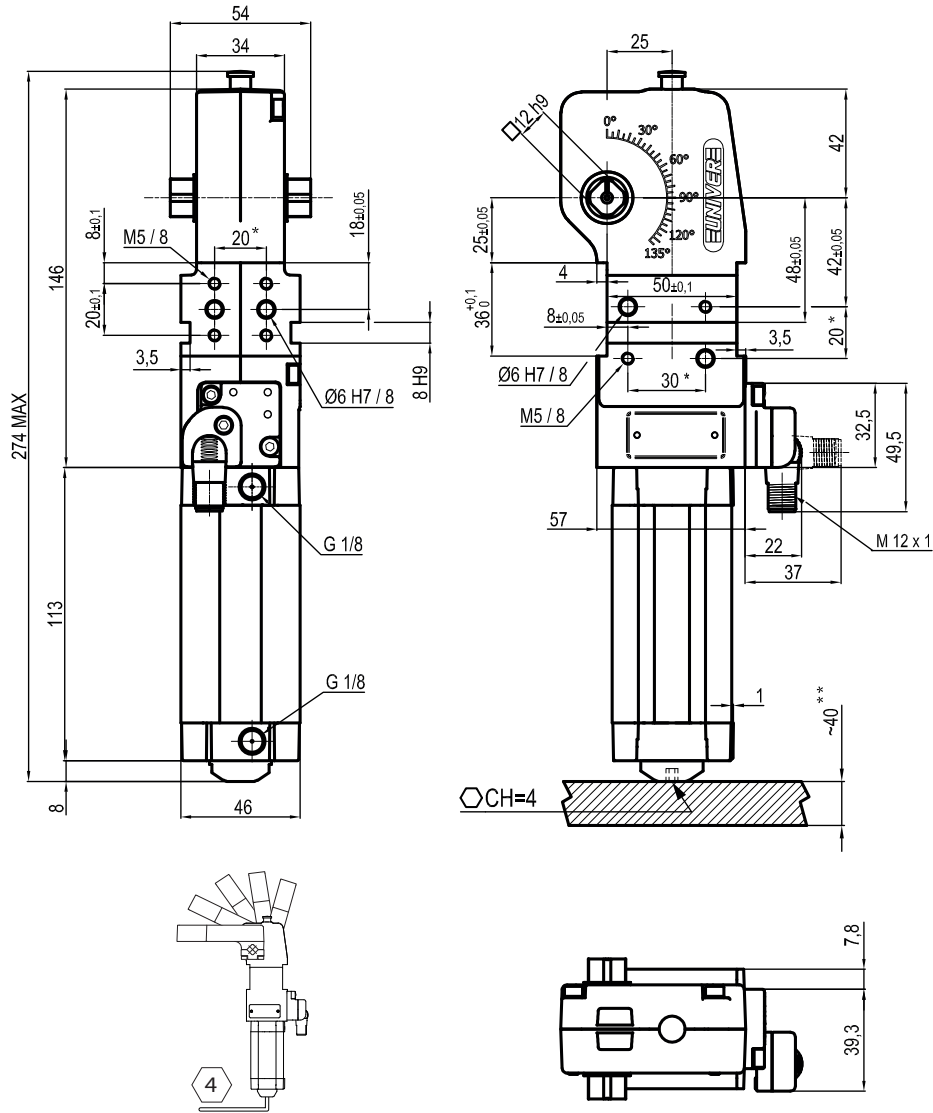
7 ARM TYPE
A = Aluminium
N = No arm

8 SENSOR
N = No sensor (with protection plate)
K = Electronic sensor PNP, M12 (DF-K)
D = Pneumatic sensor
Y = Electronic sensor PNP, M12 (DF-Y) white LED
J = Electronic sensor NPN, M12 (DF-J)

9 PRODUCT REVISION
Assigned by UNIVER

10 ATEX
X = ATEX option
See ATEX Catalogue for types and versions

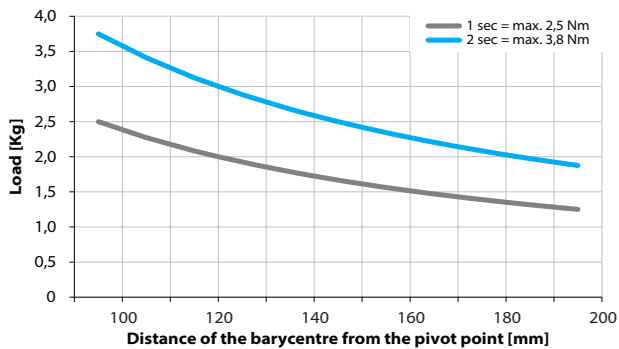
1



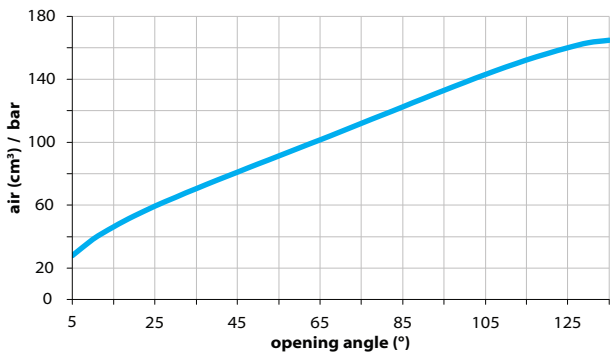
*TOLERANCE BETWEEN DOWELS $\pm 0,02$ BETWEEN SCREW HOLES $\pm 0,1$
 **AREA TO ACCESS ANGLE ADJUSTMENT

Maximum Applicable Load

Pressure: 5 bar - 90° cycle time (Open - Close)

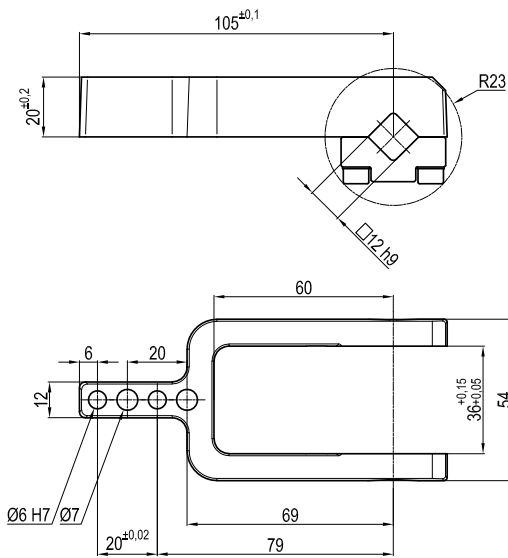


Air Consumption per Cycle

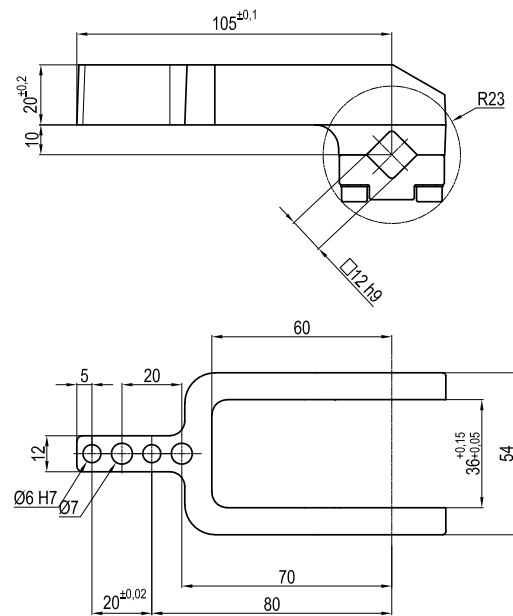


Clamping Arms

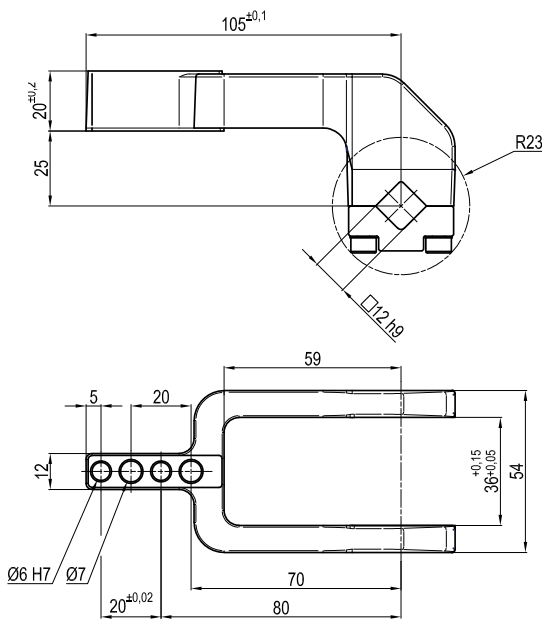
Arm Offset 0mm



Arm Offset 10mm



Arm Offset 25mm



Armcode	Offset	Material	Arm style	Weight (Kg)	Opening angle (90°)	Opening angle (180°)
LKP32B	0	ALUMINIUM	CENTRAL	0,15	0±135°	0±105°
LKP32C	10	ALUMINIUM	CENTRAL	0,15	0±135°	0±120°
LKP32E	25	ALUMINIUM	CENTRAL	0,15	0±135°	0±125°

Sensors



Electronic (optical)

- DF-K PNP M12
- DF-J NPN M12
- DF-Y PNP M12 White LED

Accessories



Self holding system

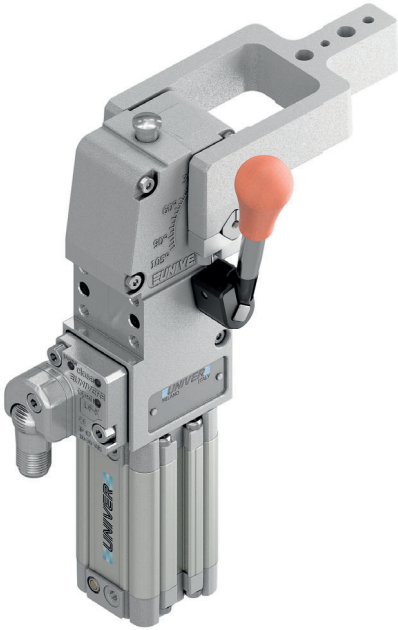
UBK46P12

UCBM 25

Pneumatic power clamps Ø25 mm with hand lever

Pneumatic Miniclamps with compensation system, toggle-joint mechanism and stepless adjustable opening angle, typically used for handling and blocking pieces in assembly process.

- Compact dimensions and lightweight
- Integrated compensation up to 0,9 mm
- Hand lever mount on both sides
- Fully optical electronic sensor or pneumatic sensor
- Fixing pattern on 2 sides (front and back)
- Manual unlocking in case of air loss
- Wishbone clamping arm in aluminium



CHARACTERISTICS

Operating temperature	5° ÷ 45° C
Min./Max. Operating pressure	0,4 / 0,6 MPa
Opening angle*	0° ÷ 95°
Bore Ø	25 mm
Holding moment	75 Nm
Clamping moment (0,5 MPa)	25 Nm
Weight (clamping arm not included)	0,9 Kg
Pneumatic supply ports	M5
Sensor	electronic (optical)
Supply voltage	10 ÷ 30 Vdc
IP code	IP65

*The opening angle range may vary according to the arm position and style.

CODIFICATION KEY

UC | B | M | 25 | O | B | A | K | 0 | 10



COMPENSATION



LIGHTWEIGHT



IRREVERSIBLE



ANGLE ADJUSTMENT



OPTICAL SENSOR

1 SERIES
UC = UNICLAMP Power clamps

2 STANDARD
B = European standard

3 VERSION
M = Pneumatic with hand lever

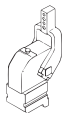
4 SIZE
25 = Ø 25mm

5 ARM POSITION

V = 90°



O = 180°



N = No arm



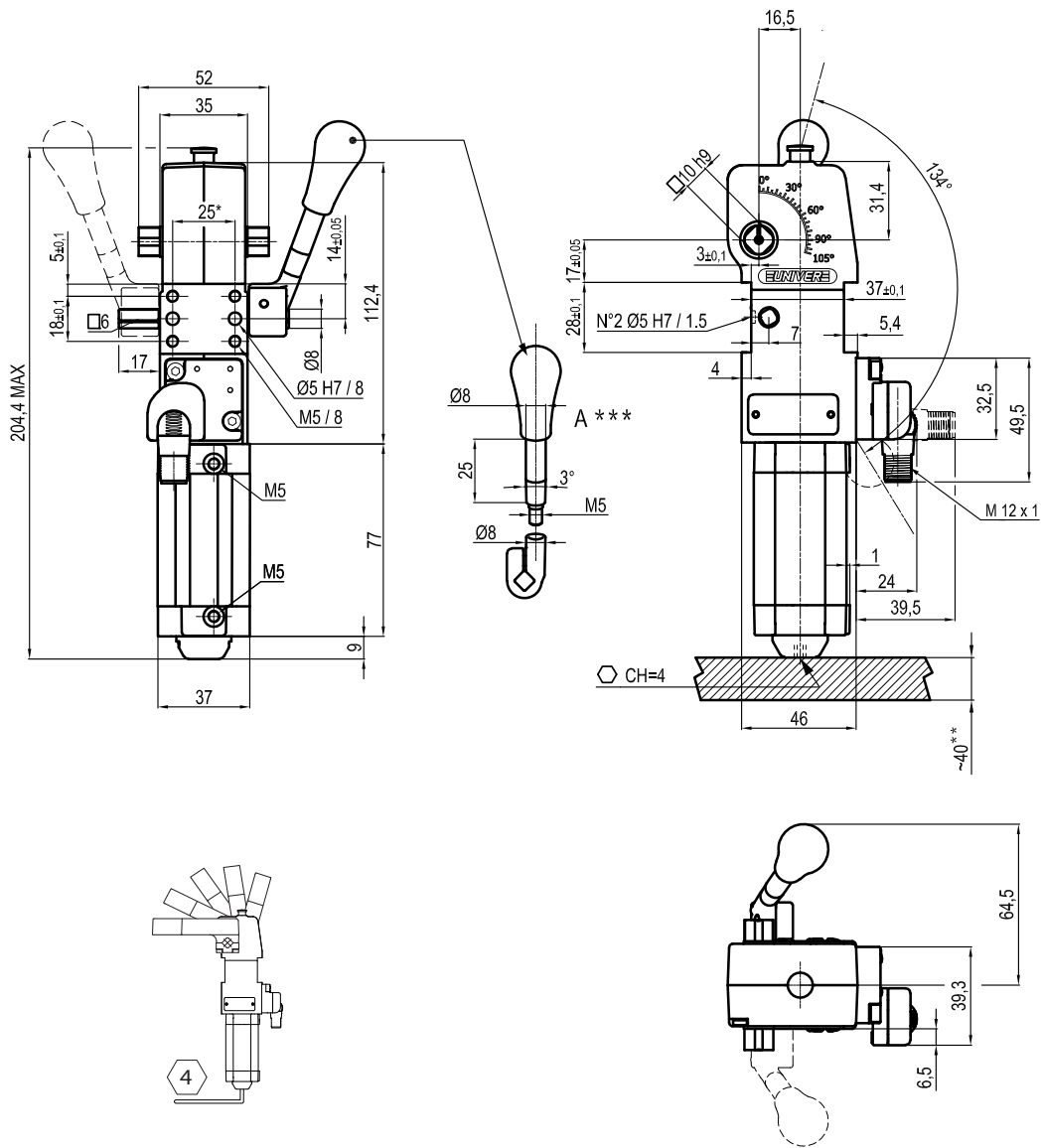
6 ARM STYLE
B = Central, 0mm offset
C = Central, 10mm offset
N = No arm
For other versions contact our Sales Dept.

7 ARM TYPE
A = Aluminium
N = No arm

8 SENSOR
N = No sensor (with protection plate)
K = Electronic sensor PNP, M12 (DF-K)
D = Pneumatic sensor (DF-UPNWS)
Y = Electronic sensor PNP, M12 (DF-Y) white LED
J = Electronic sensor NPN, M12 (DF-J)

9 PRODUCT REVISION
Assigned by UNIVER

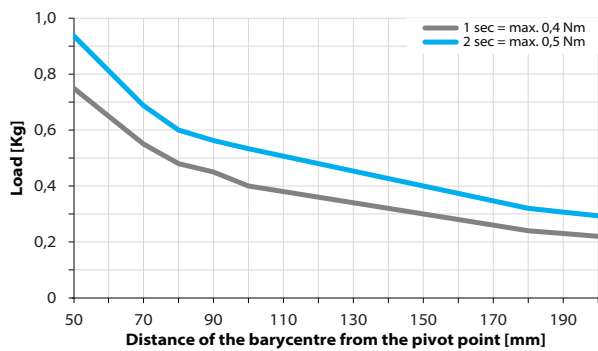
10 ATEX
X = ATEX option
See ATEX Catalogue for types and versions



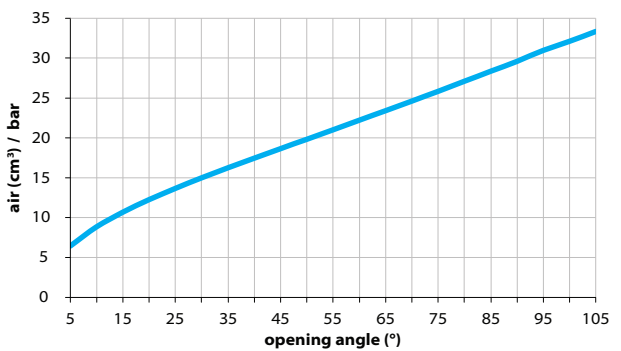
*AREA TO ACCESS ANGLE ADJUSTMENT
 **DIMENSIONS TO BE RESPECTED IN CASE OTHER MANUAL LEVERS ARE USED

Maximum Applicable Load

Pressure: 5 bar - 90° cycle time (Open - Close)



Air Consumption per Cycle

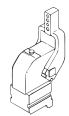
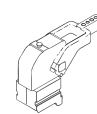
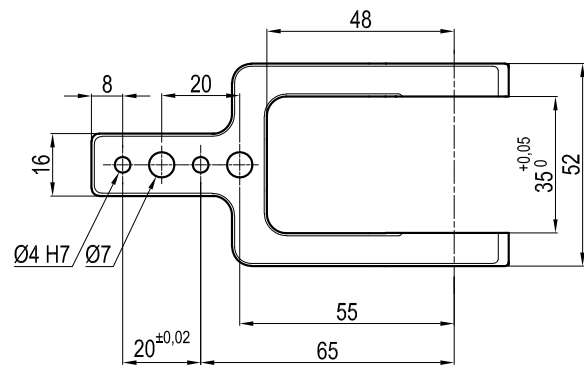
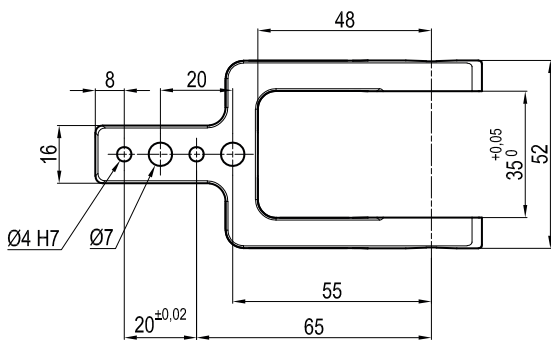
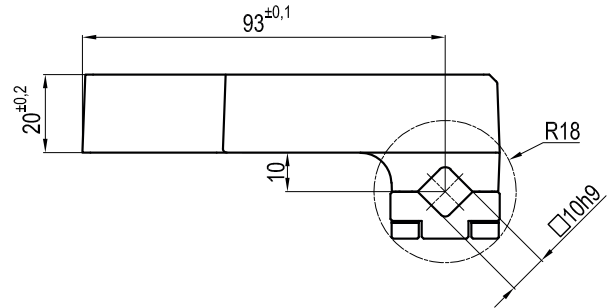
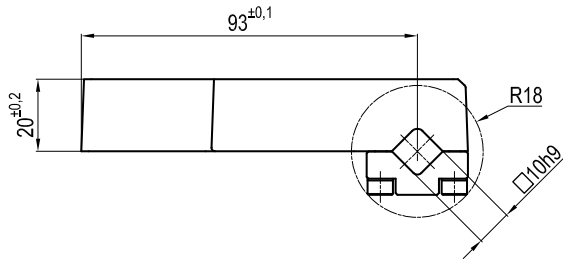


Clamping Arms

Arm Offset 0mm

Arm Offset 10mm

1



Armcode	Offset	Material	Arm style	Weight (Kg)	Opening angle (90°)	Opening angle (180°)
LKP25B	0	ALUMINIUM	CENTRAL	0,13	0±95°	0±95°
LKP25C	10	ALUMINIUM	CENTRAL	0,15	0±95°	0±95°

Sensors



Electronic (optical)

DF-K PNP M12
DF-J NPN M12
DF-Y PNP M12 White LED



Pneumatic

DF-UPNWS

Accessories



Handlever

UBF252532

UCBM 32

Pneumatic power clamps Ø32 mm with hand lever

Pneumatic Miniclamps with compensation system, toggle-joint mechanism and stepless adjustable opening angle, typically used for handling and blocking pieces in assembly process.

- Compact dimensions and lightweight
- Integrated compensation up to 1,3 mm
- Hand lever mount on both sides
- Fully optical electronic sensor or pneumatic sensor
- Fixing pattern on 4 sides
- Manual unlocking in case of air loss
- Self holding system for open position available
- Wishbone clamping arm in aluminium



1

CHARACTERISTICS

Operating temperature	5° ÷ 45° C
Min./Max. Operating pressure	0,4 / 0,6 MPa
Opening angle*	0° ÷ 105°
Bore Ø	32 mm
Holding moment	250 Nm
Clamping moment (0,5 MPa)	75 Nm
Weight (clamping arm not included)	1,4 Kg
Pneumatic supply ports	G1/8
Sensor	electronic (optical)
Supply voltage	10 ÷ 30 Vdc
IP code	IP65

*The opening angle range may vary according to the arm position and style.

CODIFICATION KEY

UC | B | M | 32 | O | E | A | K | 0 | 10



COMPENSATION



LIGHTWEIGHT



IRREVERSIBLE



ANGLE ADJUSTMENT



OPTICAL SENSOR

1 SERIES
UC = UNICLAMP Power clamps

2 STANDARD
B = European standard

3 VERSION
M = Pneumatic with hand lever

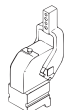
4 SIZE
32 = Ø 32mm

5 ARM POSITION

V = 90°



O = 180°



N = No arm



6 ARM STYLE
B = Central, 0mm offset
C = Central, 10mm offset
E = Central, 25mm offset
N = No arm
For other versions contact our Sales Dept.

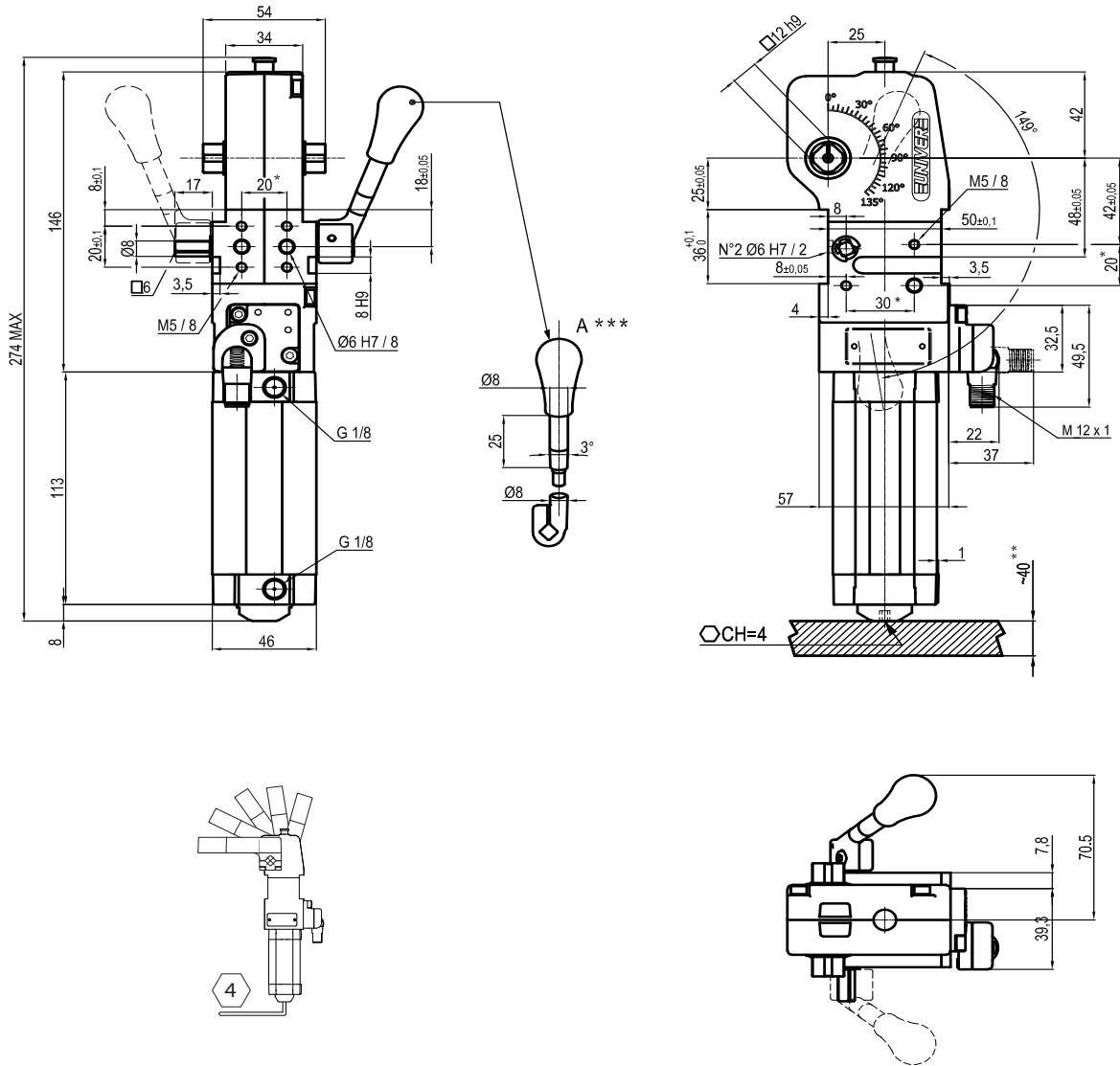
7 ARM TYPE
A = Aluminium
N = No arm

8 SENSOR
N = No sensor (with protection plate)
K = Electronic sensor PNP, M12 (DF-K)
D = Pneumatic sensor
Y = Electronic sensor PNP, M12 (DF-Y) white LED
J = Electronic sensor NPN, M12 (DF-J)

9 PRODUCT REVISION
Assigned by UNIVER

10 ATEX
X = ATEX option
See ATEX Catalogue for types and versions

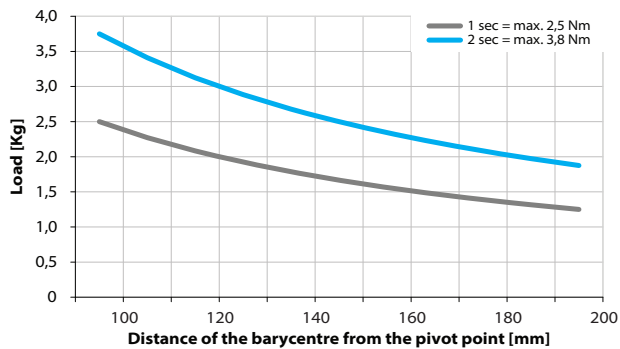
1



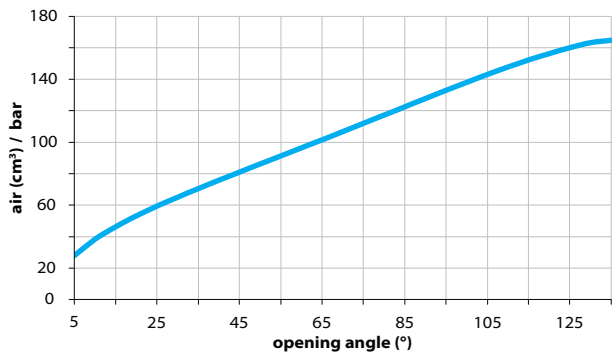
* TOLERANCE BETWEEN DOWELS $\pm 0,02$, BETWEEN SCREW HOLES $\pm 0,1$
 ** AREA TO ACCESS ANGLE ADJUSTMENT
 *** DIMENSIONS TO BE RESPECTED IN CASE OF OTHER MANUAL LEVERS ARE USED

Maximum Applicable Load

Pressure: 5 bar - 90° cycle time (Open - Close)

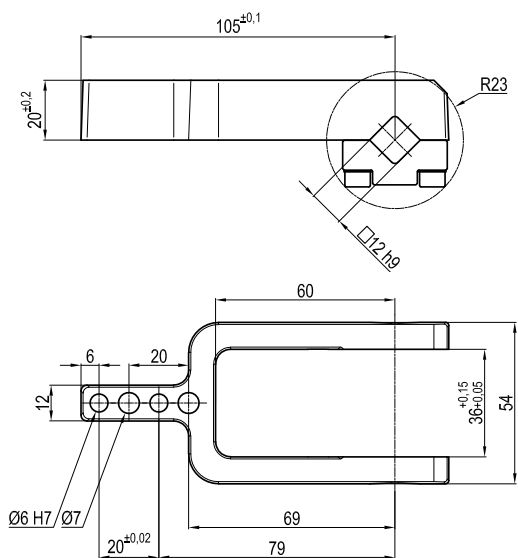


Air Consumption per Cycle

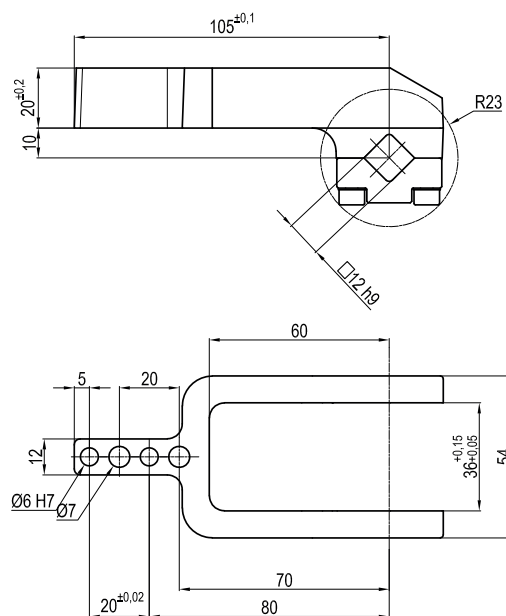


Clamping Arms

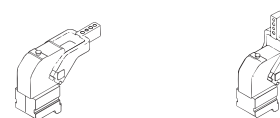
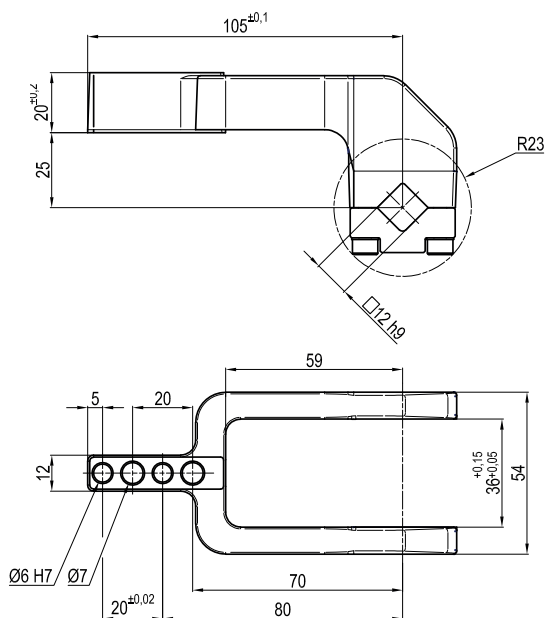
Arm Offset 0mm



Arm Offset 10mm



Arm Offset 25mm



Armcode	Offset	Material	Arm style	Weight (Kg)	Opening angle (90°)	Opening angle (180°)
LKP32B	0	ALUMINIUM	CENTRAL	0,15	0±105°	0±105°
LKP32C	10	ALUMINIUM	CENTRAL	0,15	0±105°	0±105°
LKP32E	25	ALUMINIUM	CENTRAL	0,15	0±105°	0±105°

Sensors



Electronic (optical)

DF-K PNP M12
DF-J NPN M12
DF-Y PNP M12 White LED

Accessories



Handlever

UBF252532



Self holding system

UBK46P12

2

UNICLAMP

PNEUMATIC POWER CLAMPS

Ø40-80mm

UCBP40	2
UCIP40	5
UCBP50	8
UCBP63	11
UCBH63	14
UCBP80	17

Ø40-80mm with hand lever

UCBM40	20
UCBT40	23
UCIM40	26
UCBM50	29
UCBM63	32
UCBQ63	35
UCBM80	38

Ø40-63mm with double arm

UCDP40	41
UCDP63	44

NAAMS standard Ø50-80mm

UCNP50	47
UCNP63	50
UCNP80	53

NAAMS standard Ø50-80mm with hand lever

UCNM50	56
UCNM63	59
UCNM80	62

Manual power clamps Ø50-63mm

UCBL450	65
UCBL463	68



PNEUMATIC POWER CLAMPS
AIR SAVING

Ø25-63mm

Air saving

UABP32	71
UABP40	74
UABP50	77
UABP63	80
UABP80	83

Ø32-63mm

Air saving with hand lever

UABM40	86
UABM50	89
UABM63	92
UABM80	95

NAAMS standard Ø40-63mm

UANP50	98
UANP63	101
UANP80	104

NAAMS standard Ø40-63mm
with hand lever

UANM50	109
UANM63	110
UANM80	113

UCBP 40

Pneumatic power clamps Ø40 mm

Pneumatic power clamps with compensation system, toggle-joint mechanism and stepless adjustable opening angle, typically used for handling and holding metal sheets in welding applications

- Lightweight aluminium construction ideal for mounting on grippers
- Compact dimensions
- Integrated compensation system up to 2 mm
- Version with hand lever available
- Fully optical electronic sensor or pneumatic sensor
- Fixing pattern on 4 sides
- Manual unlocking in case of air loss
- Self-holding system for open position available
- Clamping arm in aluminium or steel

CHARACTERISTICS

Operating temperature	5° ÷ 45° C
Min./Max. Operating pressure	0,4 / 0,6 MPa
Opening angle*	0° ÷ 135°
Bore Ø	40 mm
Holding moment	600 Nm
Clamping moment (0,5 MPa)	170 Nm
Weight (clamping arm not included)	1,5 Kg
Pneumatic supply ports	G1/8 on both sides
Sensor	electronic (optical)
Supply voltage	10 ÷ 30 Vdc
IP code	IP65

*The opening angle range may vary according to the arm position and style.

CODIFICATION KEY

UC	B	P	40	O	E	A	K	0	
1	2	3	4	5	6	7	8	9	10



COMPENSATION



LIGHTWEIGHT



IRREVERSIBLE



ANGLE ADJUSTMENT



OPTICAL SENSOR



COMPACT

1 SERIES
UC = UNICLAMP Power clamps

2 STANDARD
B = European standard

3 VERSION
P = Pneumatic

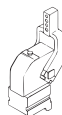
4 SIZE
40 = Ø 40 mm

5 ARM POSITION

V = 90°



O = 180°



N = No arm



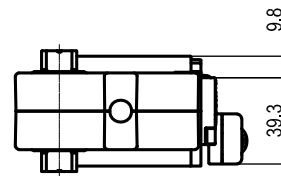
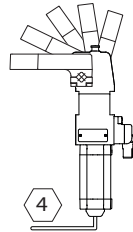
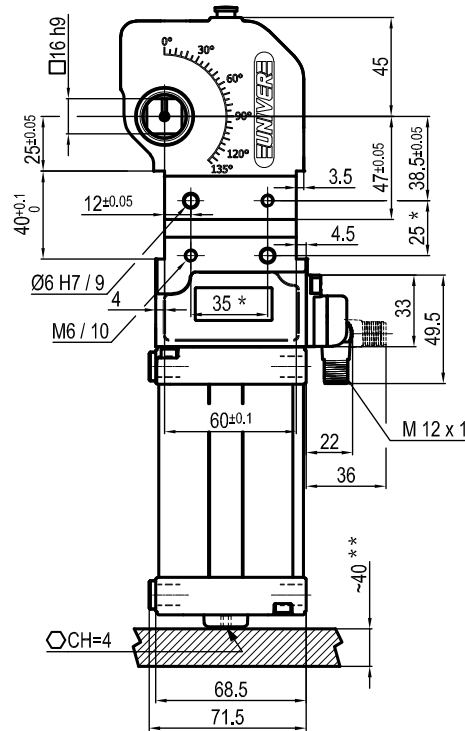
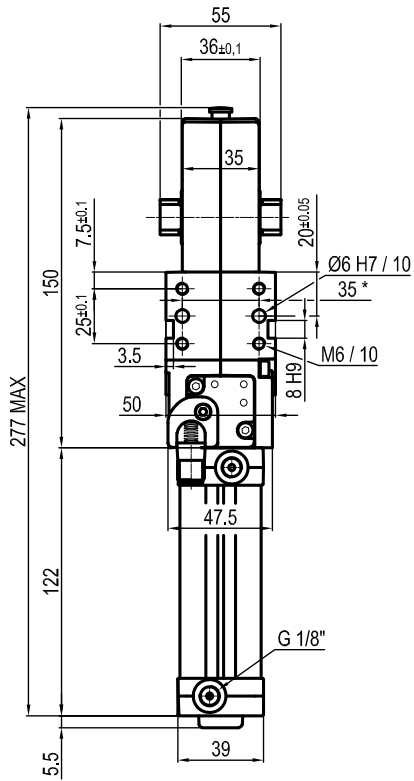
6 ARM STYLE
C = Central, 15 mm offset
D = Right, 15 mm offset
S = Left, 15 mm offset
E = Central, 45 mm offset
F = Right, 45 mm offset
L = Left, 45 mm offset
N = No arm
For other versions contact our Sales Dept.

7 ARM TYPE
A = Aluminium
S = Steel
N = No arm

8 SENSOR
N = No sensor (with protection plate)
K = Electronic sensor PNP, M12 (DF-K)
D = Pneumatic sensor (DF-UPNW)
J = Electronic sensor NPN, optical (DF-J)
Y = Electronic sensor PNP, M12 (DF-Y) white LED

9 PRODUCT REVISION
Assigned by UNIVER

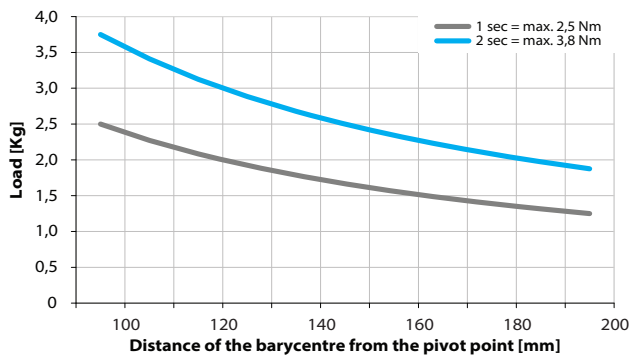
10 ATEX
X = ATEX option
See ATEX Catalogue for types and versions



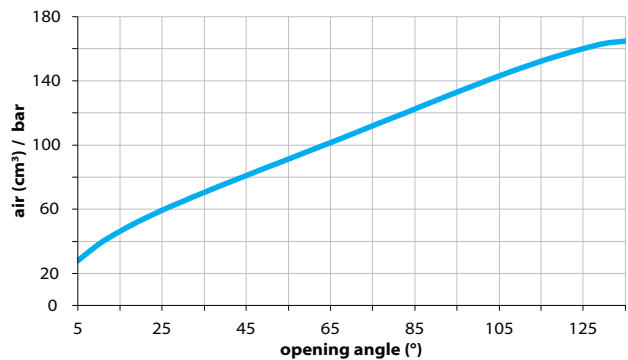
*TOLERANCE BETWEEN DOWELS $\pm 0,02$ BETWEEN SCREW HOLES $\pm 0,1$
 **AREA TO ACCESS ANGLE ADJUSTMENT

Maximum Applicable Load

Pressure: 5 bar - 90° cycle time (Open - Close)



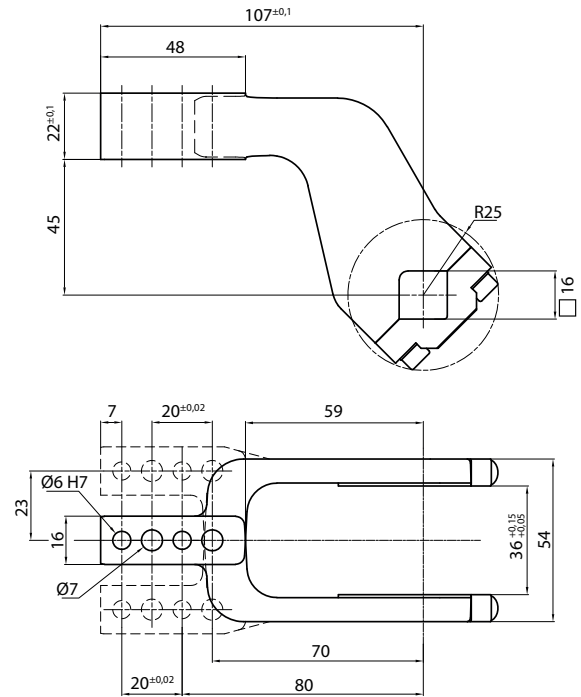
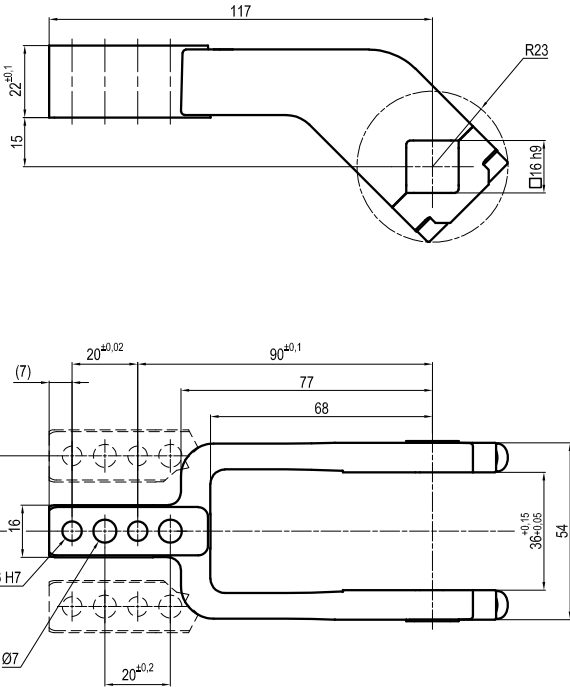
Air Consumption per Cycle



Clamping Arms

Arm Offset 15mm

Arm Offset 45mm



Armcode	Offset	Material	Arm style	Weight (Kg)	Opening angle (90°)	Opening angle (180°)
LKP01CST	15	ALUMINIUM	CENTRAL	0,2	0÷135°	0÷125°
LKP01DST	15	ALUMINIUM	RIGHT	0,2	0÷135°	0÷125°
LKP01SST	15	ALUMINIUM	LEFT	0,2	0÷135°	0÷125°
UP120151441S	15	STEEL	CENTRAL	0,4	0÷135°	0÷125°
UP120151442S	15	STEEL	RIGHT	0,4	0÷135°	0÷125°
UP120151443S	15	STEEL	LEFT	0,4	0÷135°	0÷125°
UKP01E	45	ALUMINIUM	CENTRAL	0,25	0÷125°	0÷135°
UKP01F	45	ALUMINIUM	RIGHT	0,25	0÷125°	0÷135°
UKP01L	45	ALUMINIUM	LEFT	0,25	0÷125°	0÷135°
UKP01ES	45	STEEL	CENTRAL	0,4	0÷125°	0÷135°
UKP01FS	45	STEEL	RIGHT	0,4	0÷125°	0÷135°
UKP01LS	45	STEEL	LEFT	0,4	0÷125°	0÷135°

Sensors

Accessories



Electronic (optical)

Pneumatic

Self holding system

DF-K PNP M12
DF-J NPN M12
DF-Y PNP M12 White LED

DF-UPNW

UBK46P16 For arm 15 offset
UBK46P16-45 For arm 45 offset

UCIP 40

Pneumatic power clamps Ø40 mm interchangeable with Ø50-63 mm

Pneumatic power clamps size Ø40 mm with fixing patterns interchangeable with size Ø50-63mm, compensation system, toggle-joint mechanism and stepless adjustable opening angle, typically used for handling and holding metal sheets in welding applications



- Lightweight aluminium construction
- Compact dimensions
- Integrated compensation system up to 2 mm
- Version with manual hand lever available
- Fully optical electronic sensor or pneumatic sensor
- Fixing pattern on the front side
- Manual unlocking in case of air loss
- Self-holding system for open position available
- Clamping arm in aluminium

CHARACTERISTICS

Operating temperature	5° ÷ 45° C
Min./Max. Operating pressure	0,4 / 0,6 MPa
Opening angle*	0° ÷ 135°
Bore Ø	40 mm
Holding moment	600 Nm
Clamping moment (0,5 MPa)	170 Nm
Weight (clamping arm not included)	1,6 Kg
Pneumatic supply ports	G1/8 on both sides
Sensor	electronic (optical)
Supply voltage	10 ÷ 30 Vdc
IP code	IP65

*The opening angle range may vary according to the arm position and style.

CODIFICATION KEY

UC	I	P	40	O	E	A	N	K	0	
1	2	3	4	5	6	7	8	9	10	11



COMPENSATION



LIGHTWEIGHT



IRREVERSIBLE



ANGLE ADJUSTMENT



OPTICAL SENSOR



COMPACT

1 SERIES
UC = UNICLAMP Power clamps

2 STANDARD
I = Interchangeable with size Ø50-63 mm

3 VERSION
P = Pneumatic

4 SIZE
40 = Ø 40 mm

5 ARM POSITION

V = 90°

O = 180°

N = No arm

6 ARM STYLE
C = Central, 15 mm offset
D = Right, 15 mm offset
S = Left, 15 mm offset
E = Central, 45 mm offset
F = Right, 45 mm offset
L = Left, 45 mm offset
N = No arm
For other versions contact our Sales Dept.

7 ARM TYPE
A = Aluminium
S = Steel
N = No arm

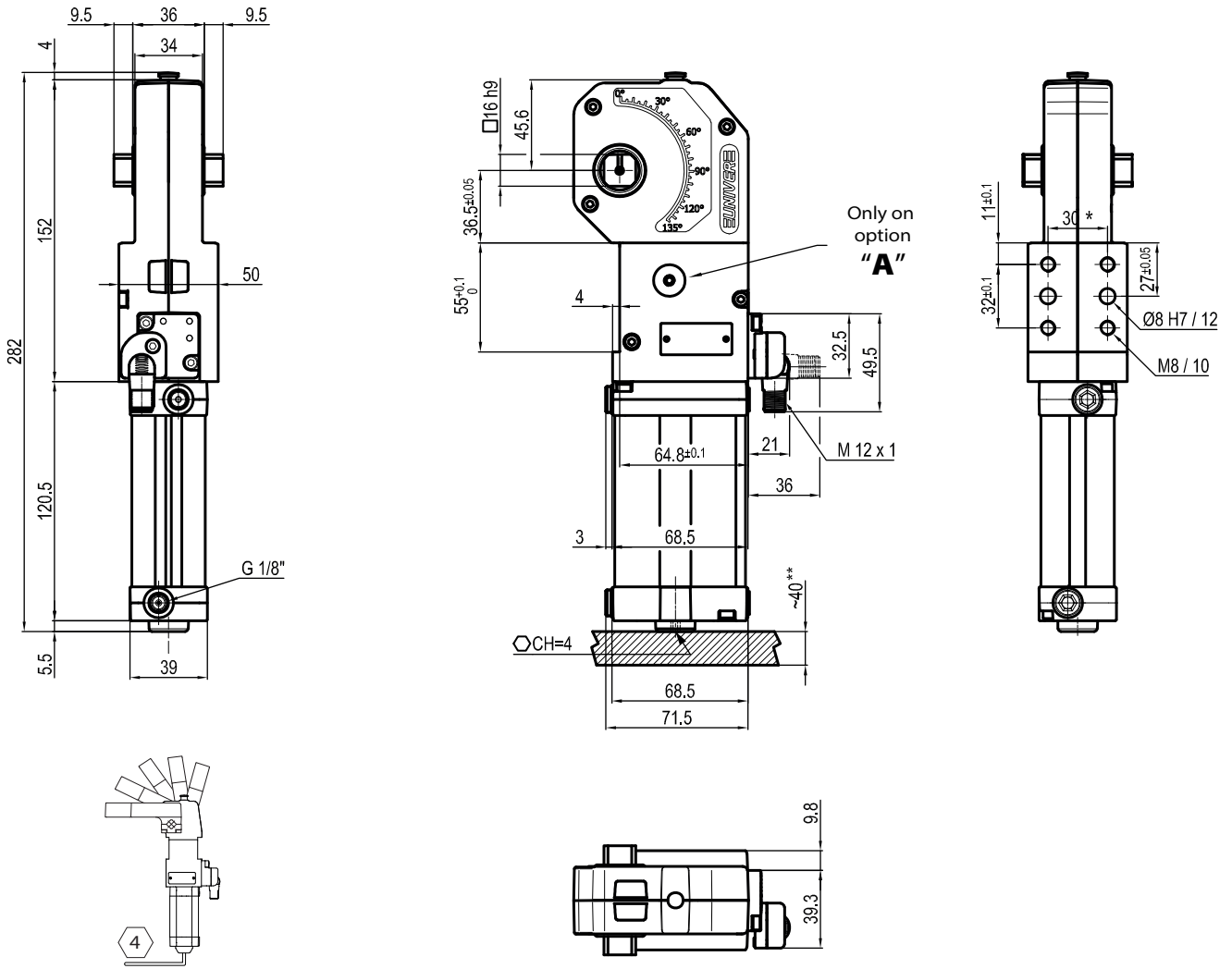
8 OPTION
N = Standard
A = Preset for self-holding system

9 SENSOR
N = No sensor (with protection plate)
K = Electronic sensor PNP, M12 (DF-K)
D = Pneumatic sensor (DF-UPNW)
J = Electronic sensor NPN, optical (DF-J)
Y = Electronic sensor PNP, M12 (DF-Y) white LED

10 PRODUCT REVISION
Assigned by UNIVER

11 ATEX
X = ATEX option
See ATEX Catalogue for types and versions

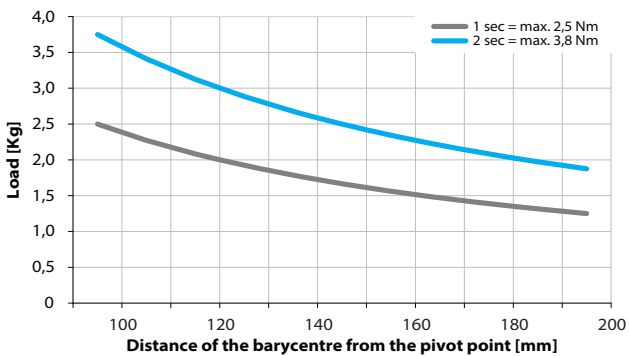
2



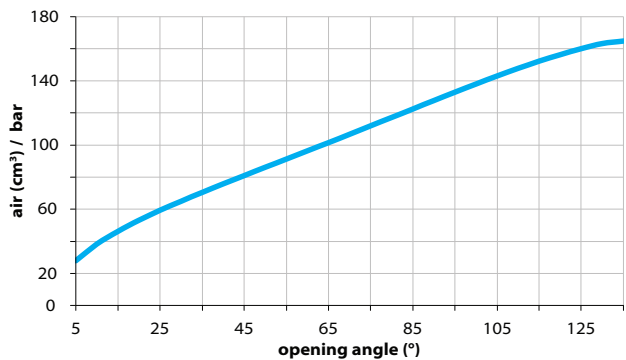
*TOLERANCE BETWEEN DOWELS ± 0,02 BETWEEN SCREW HOLES ± 0,1
 **AREA TO ACCESS ANGLE ADJUSTMENT

Maximum Applicable Load

Pressure: 5 bar - 90° cycle time (Open - Close)

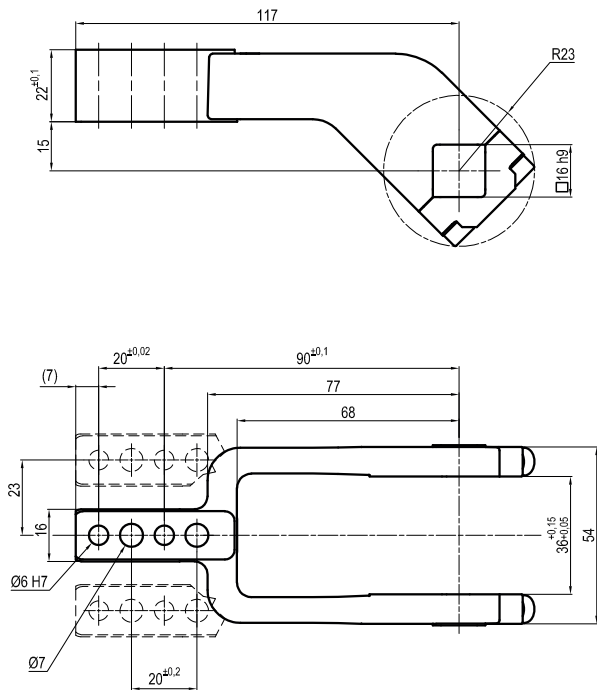


Air Consumption per Cycle

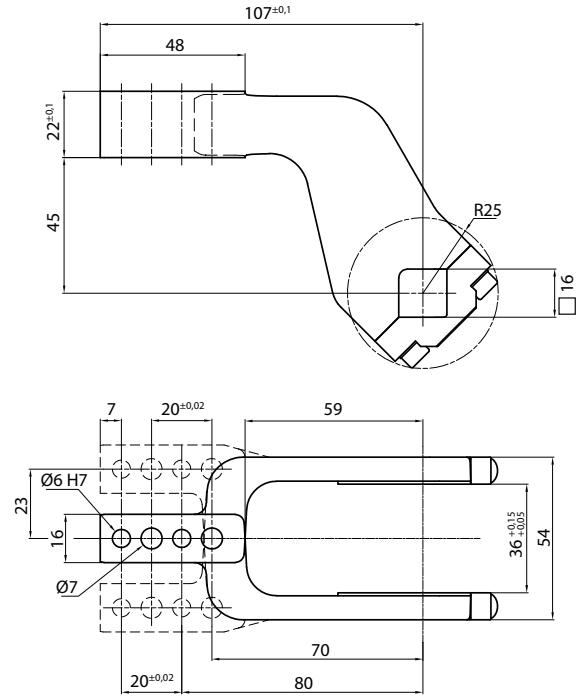


Clamping Arms

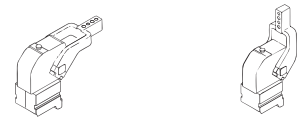
Arm Offset 15mm



Arm Offset 45mm



2



Armcode	Offset	Material	Arm style	Weight (Kg)	Opening angle (90°)	Opening angle (180°)
LKP01CST	15	ALUMINIUM	CENTRAL	0,2	0÷135°	0÷120°
LKP01DST	15	ALUMINIUM	RIGHT	0,2	0÷135°	0÷120°
LKP01SST	15	ALUMINIUM	LEFT	0,2	0÷135°	0÷120°
IKP40E	45	ALUMINIUM	CENTRAL	0,3	0÷135°	0÷135°
IKP40F	45	ALUMINIUM	RIGHT	0,3	0÷135°	0÷135°
IKP40L	45	ALUMINIUM	LEFT	0,3	0÷135°	0÷135°

Sensors



Electronic (optical)

DF-K PNP M12
DF-J NPN M12
DF-Y PNP M12 White LED



Pneumatic

DF-UPNW

Accessories



Self holding system

UBK46P16 For arm 15 offset
UBK46P16-45 For arm 45 offset

UCBP 50

Pneumatic power clamps Ø50 mm

Pneumatic power clamps with compensation system, toggle-joint mechanism and stepless adjustable opening angle, typically used for handling and holding metal sheets in welding applications

- Lightweight aluminium construction
- Compact dimensions
- Integrated compensation system up to 1,7 mm
- Version with hand lever available
- Fully optical electronic sensor or pneumatic sensor
- Fixing pattern on 4 sides
- Manual unlocking in case of air loss
- Self-holding system for open position available
- Clamping arm in aluminium or steel

CHARACTERISTICS

Operating temperature	5° ÷ 45° C
Min./Max. Operating pressure	0,4 / 0,6 MPa
Opening angle*	0° ÷ 135°
Bore Ø	50 mm
Holding moment	1250 Nm
Clamping moment (0,5 MPa)	280 Nm
Weight (clamping arm not included)	2,5 Kg
Pneumatic supply ports	G1/4 on both sides
Sensor	electronic (optical)
Supply voltage	10 ÷ 30 Vdc
IP code	IP65

*The opening angle range may vary according to the arm position and style.

CODIFICATION KEY

UC	B	P	50	O	E	A	K	0	
1	2	3	4	5	6	7	8	9	10



COMPENSATION



LIGHTWEIGHT



IRREVERSIBLE



ANGLE ADJUSTMENT



OPTICAL SENSOR



COMPACT

1 SERIES
UC = UNICLAMP Power clamps

2 STANDARD
B = European standard

3 VERSION
P = Pneumatic

4 SIZE
50 = Ø 50 mm

5 ARM POSITION

V = 90°



O = 180°



N = No arm



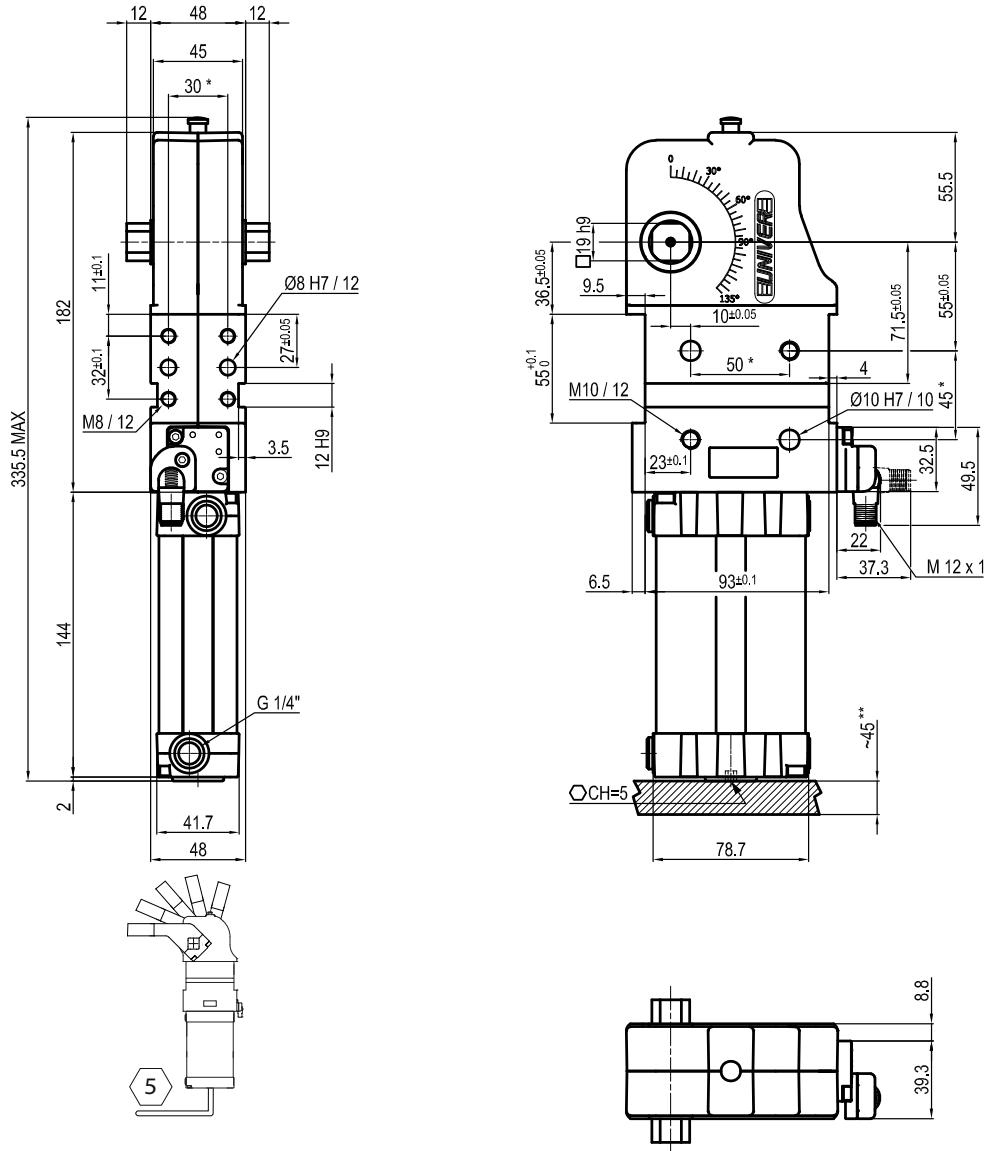
6 ARM STYLE
C = Central, 15 mm offset
D = Right, 15 mm offset
S = Left, 15 mm offset
E = Central, 45 mm offset
F = Right, 45 mm offset
L = Left, 45 mm offset
N = No arm
For other versions contact our Sales Dept.

7 ARM TYPE
A = Aluminium
S = Steel
N = No arm

8 SENSOR
N = No sensor (with protection plate)
K = Electronic sensor PNP, M12 (DF-K)
D = Pneumatic sensor (DF-UPNW)
J = Electronic sensor NPN, optical (DF-J)
Y = Electronic sensor PNP, M12 (DF-Y) white LED

9 PRODUCT REVISION
Assigned by UNIVER

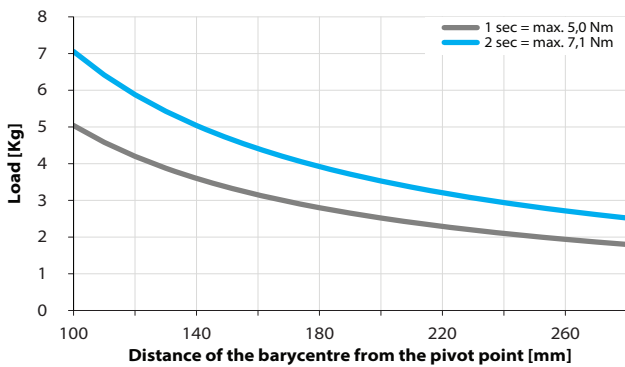
10 ATEX
X = ATEX option
See ATEX Catalogue for types and versions



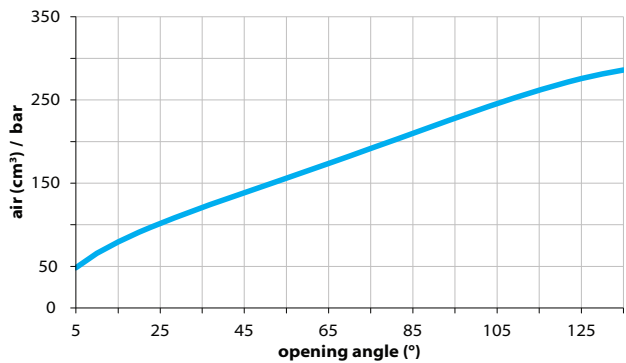
*TOLERANCE BETWEEN DOWELS ± 0,02 BETWEEN SCREW HOLES ± 0,1
 **AREA TO ACCESS ANGLE ADJUSTMENT

Maximum Applicable Load

Pressure: 5 bar - 90° cycle time (Open - Close)



Air Consumption per Cycle

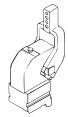
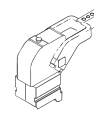
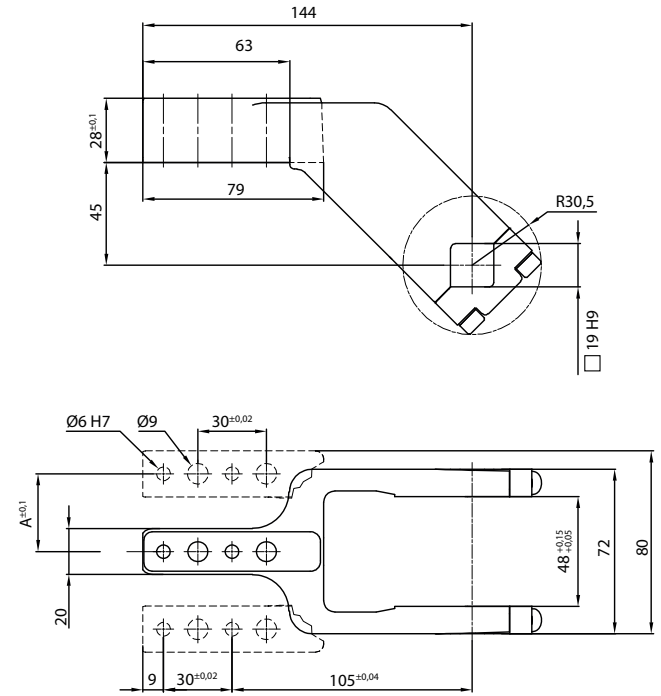
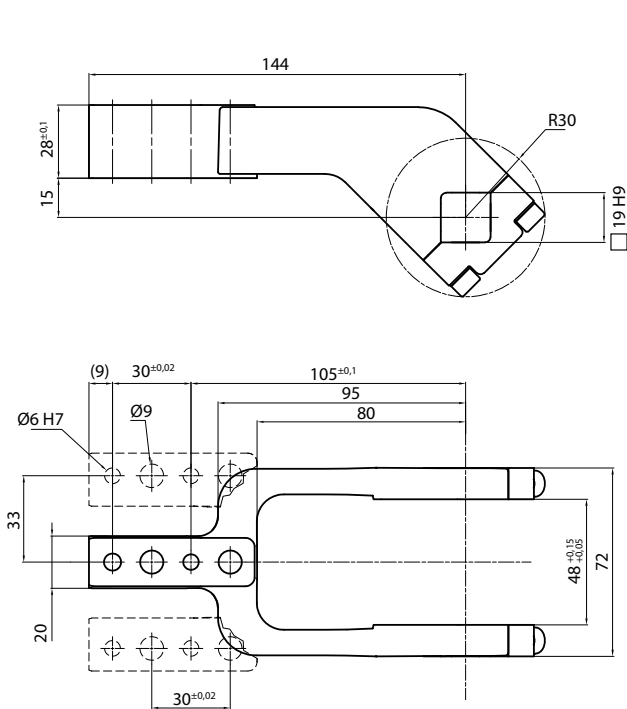


Clamping Arms

Arm Offset 15mm

Arm Offset 45mm

2



Armcode	Offset	Material	Arm style	Weight (Kg)	Opening angle (90°)	Opening angle (180°)
LKP00CL	15	ALUMINIUM	CENTRAL	0,4	0±135°	0±105°
LKP00DL	15	ALUMINIUM	RIGHT	0,4	0±135°	0±105°
LKP00SL	15	ALUMINIUM	LEFT	0,4	0±135°	0±105°
UP210151441G	15	STEEL	CENTRAL	0,8	0±135°	0±105°
UP210151442G	15	STEEL	RIGHT	0,8	0±135°	0±105°
UP210151443G	15	STEEL	LEFT	0,8	0±135°	0±105°
UKP5063E	45	ALUMINIUM	CENTRAL	0,45	0±135°	0±135°
UKP50F	45	ALUMINIUM	RIGHT	0,45	0±135°	0±135°
UKP50L	45	ALUMINIUM	LEFT	0,45	0±135°	0±135°
UKP5063ES	45	STEEL	CENTRAL	1,16	0±135°	0±135°
UKP50FS	45	STEEL	RIGHT	1,16	0±135°	0±135°
UKP50LS	45	STEEL	LEFT	1,16	0±135°	0±135°

Sensors

Accessories



Electronic (optical)

Pneumatic

Self holding system

DF-K PNP M12
DF-J NPN M12
DF-Y PNP M12 White LED

DF-UPNW

UBK46P19

UCBP 63

Pneumatic power clamps Ø63 mm

Pneumatic power clamps with compensation system, toggle-joint mechanism and stepless adjustable opening angle, typically used for handling and holding metal sheets in welding applications

- Lightweight aluminium construction
- Compact dimensions
- Integrated compensation system up to 2,7 mm
- Version with hand lever available
- Fully optical electronic sensor or pneumatic sensor
- Fixing pattern on 4 sides
- Manual unlocking in case of air loss
- Self-holding system for open position available
- Clamping arm in aluminium or steel



2

CHARACTERISTICS

Operating temperature	5° ÷ 45° C
Min./Max. Operating pressure	0,4 / 0,6 MPa
Opening angle*	0° ÷ 135°
Bore Ø	63 mm
Holding moment	1750 Nm
Clamping moment (0,5 MPa)	420 Nm
Weight (clamping arm not included)	2,9 Kg
Pneumatic supply ports	G1/4 on both sides
Sensor	electronic (optical)
Supply voltage	10 ÷ 30 Vdc
IP code	IP65

*The opening angle range may vary according to the arm position and style.

CODIFICATION KEY

UC | B | P | 63 | O | E | A | K | 0 | 10



COMPENSATION



LIGHTWEIGHT



IRREVERSIBLE



ANGLE ADJUSTMENT



OPTICAL SENSOR



COMPACT

1

SERIES
UC = UNICLAMP Power clamps

2

STANDARD
B = European standard

3

VERSION
P = Pneumatic

4

SIZE
63 = Ø63 mm

5

ARM POSITION

V = 90°



O = 180°



N = No arm



6

ARM STYLE
C = Central, 15 mm offset
D = Right, 15 mm offset
S = Left, 15 mm offset
E = Central, 45 mm offset
F = Right, 45 mm offset
L = Left, 45 mm offset
N = No arm
For other versions contact our Sales Dept.

7

ARM TYPE
A = Aluminium
S = Steel
N = No arm

8

SENSOR
N = No sensor (with protection plate)
K = Electronic sensor PNP, M12 (DF-K)
D = Pneumatic sensor (DF-UPNW)
J = Electronic sensor NPN, optical (DF-J)
Y = Electronic sensor PNP, M12 (DF-Y) white LED

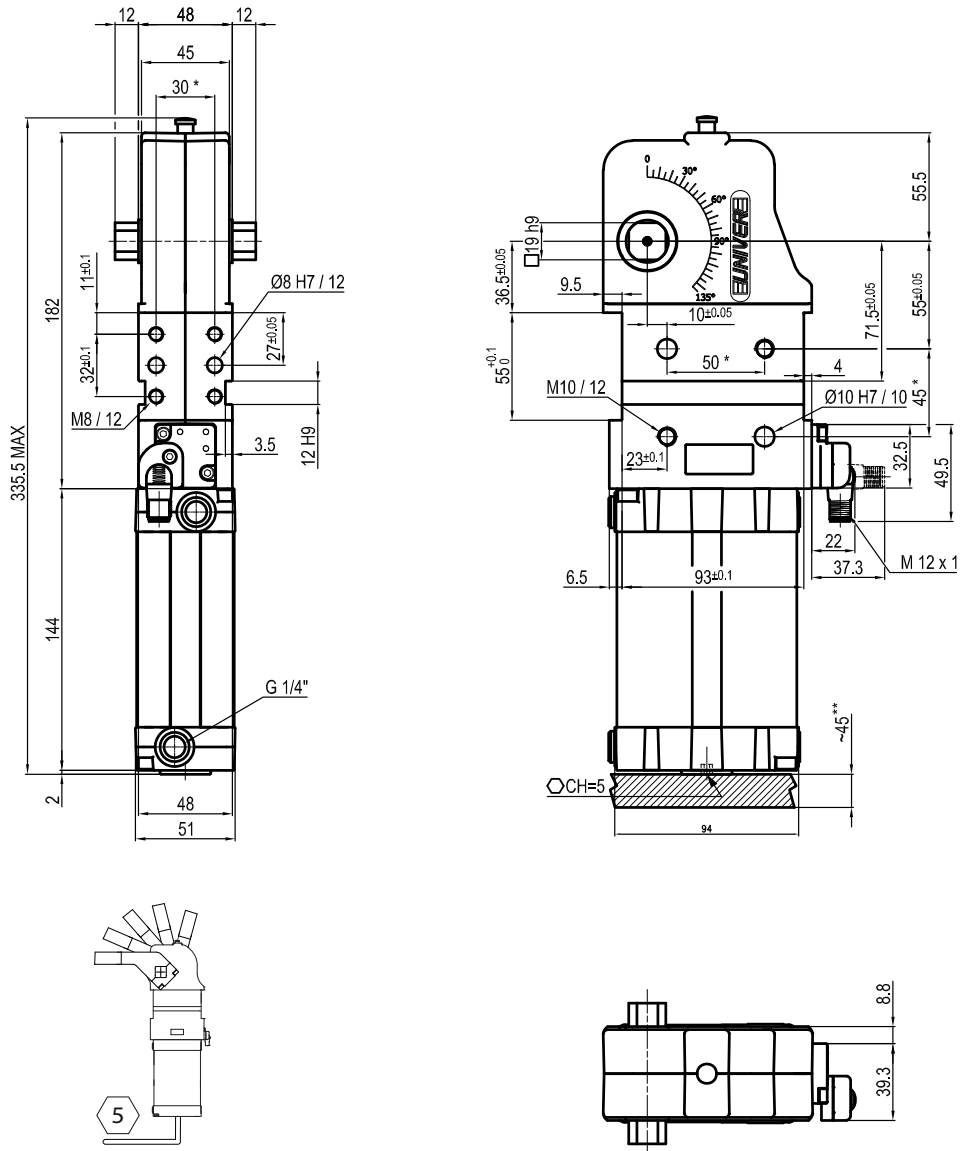
9

PRODUCT REVISION
Assigned by UNIVER

10

ATEX
X = ATEX option
See ATEX Catalogue for types and versions

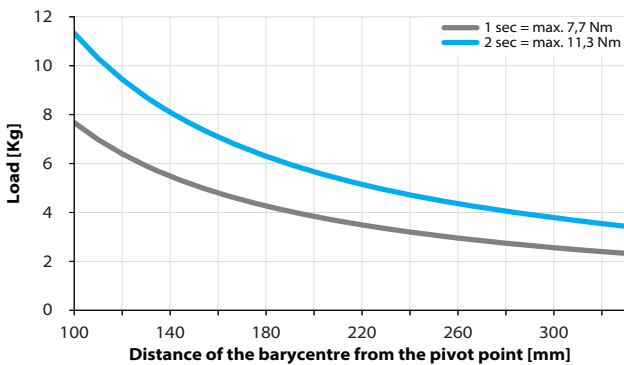
2



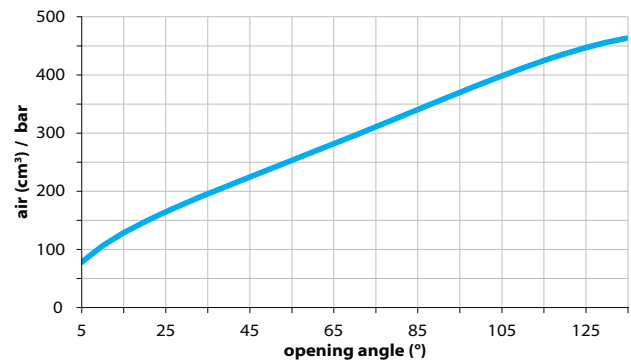
* TOLERANCE BETWEEN DOWELS $\pm 0,02$, BETWEEN SCREW HOLES $\pm 0,1$
 ** AREA TO ACCESS ANGLE ADJUSTMENT

Maximum Applicable Load

Pressure: 5 bar - 90° cycle time (Open - Close)

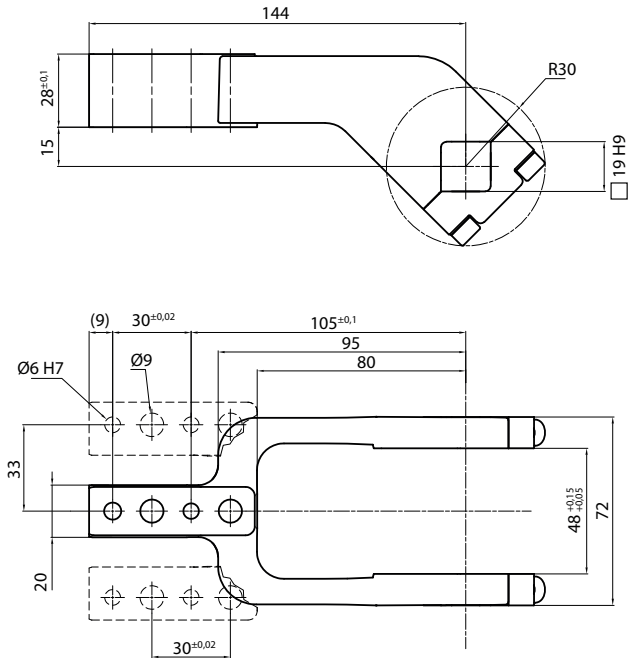


Air Consumption per Cycle

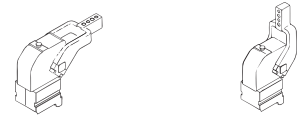
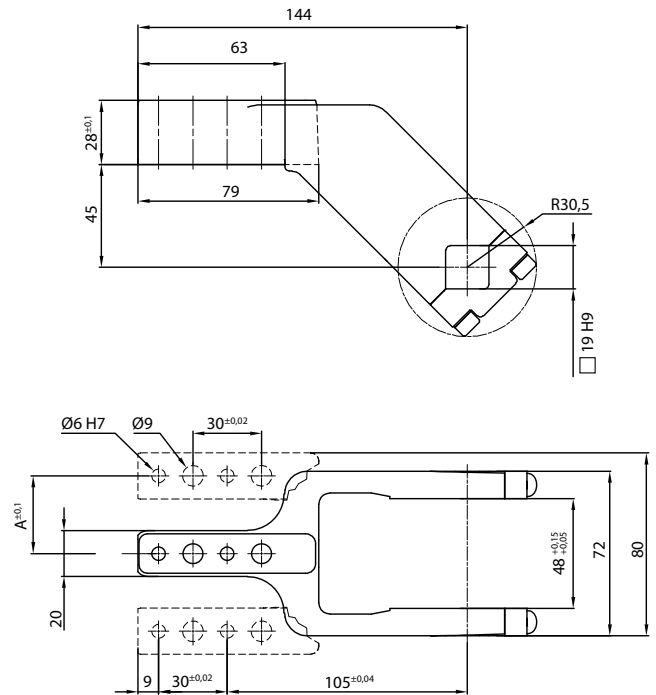


Clamping Arms

Arm Offset 15mm



Arm Offset 45mm



Armcode	Offset	Material	Arm style	Weight (Kg)	Opening angle (90°)	Opening angle (180°)
LKP00CL	15	ALUMINIUM	CENTRAL	0,4	0÷135°	0÷105°
LKP00DL	15	ALUMINIUM	RIGHT	0,4	0÷135°	0÷105°
LKP00SL	15	ALUMINIUM	LEFT	0,4	0÷135°	0÷105°
UP210151441G	15	STEEL	CENTRAL	0,8	0÷135°	0÷105°
UP210151442G	15	STEEL	RIGHT	0,8	0÷135°	0÷105°
UP210151443G	15	STEEL	LEFT	0,8	0÷135°	0÷105°
UKP5063E	45	ALUMINIUM	CENTRAL	0,45	0÷135°	0÷135°
UKP63F	45	ALUMINIUM	RIGHT	0,45	0÷135°	0÷135°
UKP63L	45	ALUMINIUM	LEFT	0,45	0÷135°	0÷135°
UKP5063ES	45	STEEL	CENTRAL	1,16	0÷135°	0÷135°
UKP63FS	45	STEEL	RIGHT	1,16	0÷135°	0÷135°
UKP63LS	45	STEEL	LEFT	1,16	0÷135°	0÷135°

Sensors



Electronic (optical)

DF-K PNP M12
DF-J NPN M12
DF-Y PNP M12 White LED



Pneumatic

DF-UPNW

Accessories



Self holding system

UBK46P19

UCBH 63

Pneumatic power clamps Ø63 mm, □22 mm

Pneumatic power clamps with compensation system, toggle-joint mechanism and stepless adjustable opening angle, typically used for handling and holding metal sheets in welding applications

- Lightweight aluminium construction
- Compact dimensions
- Integrated compensation system up to 2,7 mm
- Version with manual hand lever available
- Fully optical electronic sensor or pneumatic sensor
- Fixing pattern on 4 sides
- Manual unlocking in case of air loss
- Self-holding system for open position available
- Clamping arm in aluminium or steel

CHARACTERISTICS

Operating temperature	5° ÷ 45° C
Min./Max. Operating pressure	0,4 / 0,6 MPa
Opening angle*	0° ÷ 135°
Bore Ø	63 mm
Holding moment	1750 Nm
Clamping moment (0,5 MPa)	420 Nm
Weight (clamping arm not included)	3,2 Kg
Pneumatic supply ports	G1/4 on both sides
Sensor	electronic (optical)
Supply voltage	10 ÷ 30 Vdc
IP code	IP65

*The opening angle range may vary according to the arm position and style.

CODIFICATION KEY

UC | B | H | 63 | O | E | A | K | 0 | |

1 2 3 4 5 6 7 8 9 10



COMPENSATION



LIGHTWEIGHT



IRREVERSIBLE



ANGLE ADJUSTMENT



OPTICAL SENSOR



COMPACT

1 SERIES
UC = UNICLAMP Power clamps

2 STANDARD
B = European standard

3 VERSION
H = Pneumatic □22 mm

4 SIZE
63 = Ø63 mm

5 ARM POSITION

V = 90°



O = 180°



N = No arm



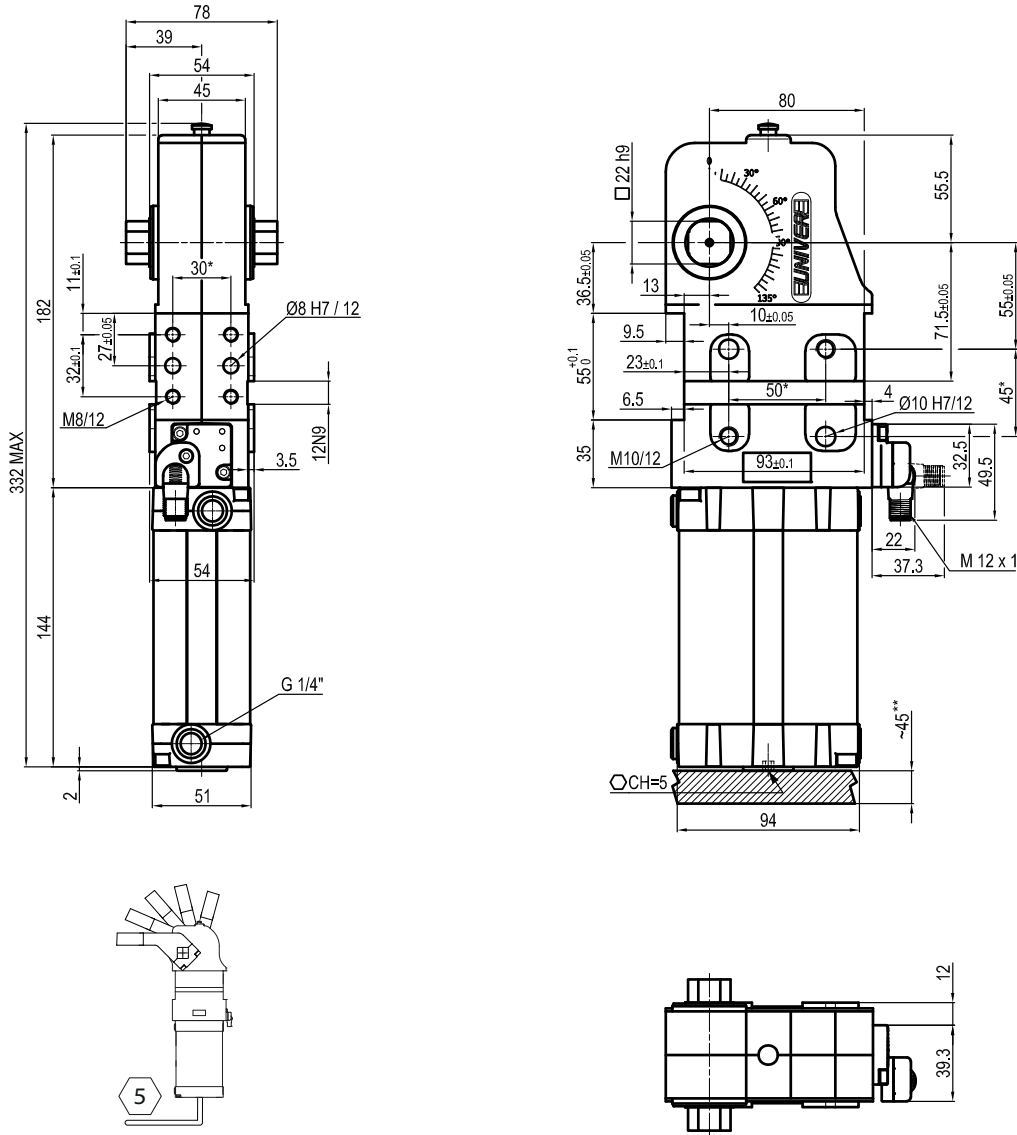
6 ARM STYLE
C = Central, 15 mm offset
D = Right, 15 mm offset
S = Left, 15 mm offset
E = Central, 45 mm offset
F = Right, 45 mm offset
L = Left, 45 mm offset
N = No arm
For other versions contact our Sales Dept.

7 ARM TYPE
A = Aluminium
S = Steel
N = No arm

8 SENSOR
N = No sensor (with protection plate)
K = Electronic sensor PNP, M12 (DF-K)
D = Pneumatic sensor (DF-UPNW)
J = Electronic sensor NPN, optical (DF-J)
Y = Electronic sensor PNP, M12 (DF-Y) white LED

9 PRODUCT REVISION
Assigned by UNIVER

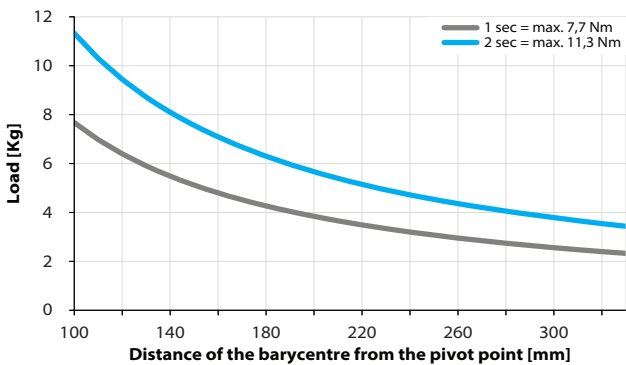
10 ATEX
X = ATEX option
See ATEX Catalogue for types and versions



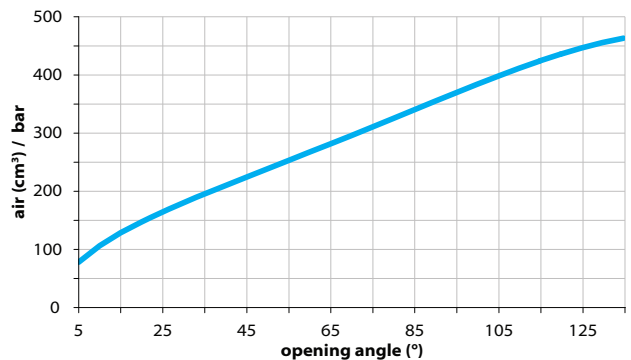
* TOLERANCE BETWEEN DOWELS ± 0,02, BETWEEN SCREW HOLES ± 0,1
 ** AREA TO ACCESS ANGLE ADJUSTMENT

Maximum Applicable Load

Pressure: 5 bar - 90° cycle time (Open - Close)

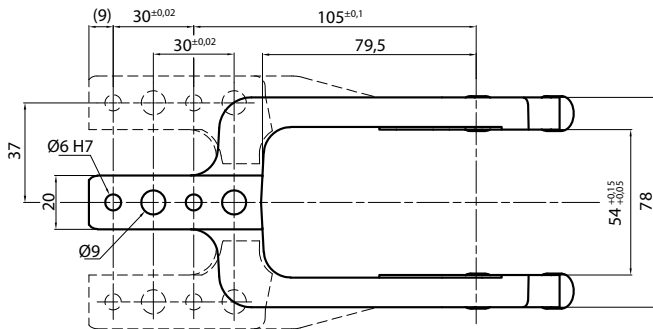
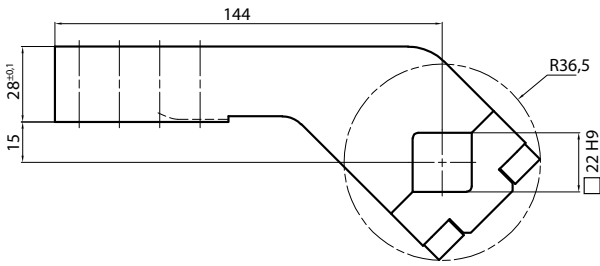


Air Consumption per Cycle

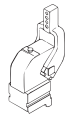
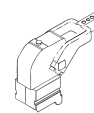
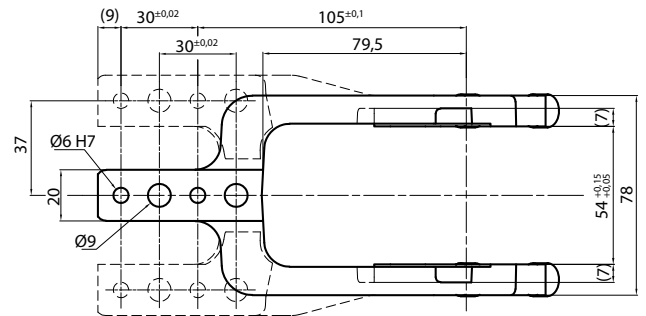
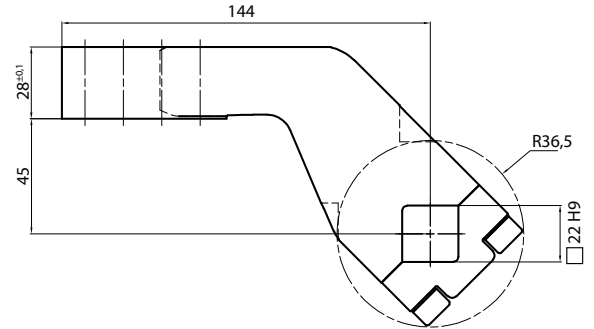


Clamping Arms

Arm Offset 15mm



Arm Offset 45mm



Armcode	Offset	Material	Arm style	Weight (Kg)	Opening angle (90°)	Opening angle (180°)
UP310151441A	15	ALUMINIUM	CENTRAL	0,3	0÷135°	0÷110°
UP310151442A	15	ALUMINIUM	RIGHT	0,3	0÷135°	0÷110°
UP310151443A	15	ALUMINIUM	LEFT	0,3	0÷135°	0÷110°
UP310151441S	15	STEEL	CENTRAL	1,2	0÷135°	0÷110°
UP310151442S	15	STEEL	RIGHT	1,2	0÷135°	0÷110°
UP310151443S	15	STEEL	LEFT	1,2	0÷135°	0÷110°
UP310451441A	45	ALUMINIUM	CENTRAL	0,3	0÷135°	0÷135°
UP310451442A	45	ALUMINIUM	RIGHT	0,3	0÷135°	0÷135°
UP310451443A	45	ALUMINIUM	LEFT	0,3	0÷135°	0÷135°
UP310451441S	45	STEEL	CENTRAL	1,4	0÷135°	0÷135°
UP310451442S	45	STEEL	RIGHT	1,4	0÷135°	0÷135°
UP310451443S	45	STEEL	LEFT	1,4	0÷135°	0÷135°

Sensors



Electronic (optical)

DF-K PNP M12
DF-J NPN M12
DF-Y PNP M12 White LED



Pneumatic

DF-UPNW

Accessories



Self holding system

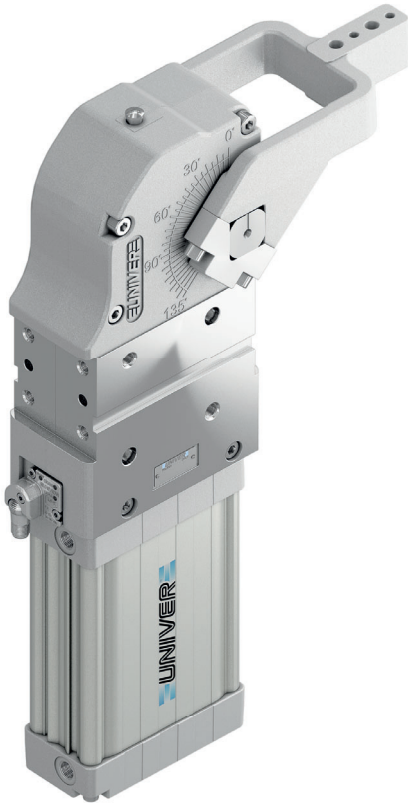
UBK46P22

UCBP 80

Pneumatic power clamps Ø80 mm

Pneumatic power clamps with compensation system, toggle-joint mechanism and stepless adjustable opening angle, typically used for handling and holding metal sheets in welding applications

- Lightweight aluminium construction
- Integrated compensation system up to 2,9 mm
- Version with manual hand lever available
- Fully optical electronic sensor or pneumatic sensor
- Fixing pattern on 4 sides
- Manual unlocking in case of air loss
- Self-holding system for open position available
- Clamping arm in aluminium or steel



2

CHARACTERISTICS

Operating temperature	5° ÷ 45° C
Min./Max. Operating pressure	0,4 / 0,6 MPa
Opening angle*	0° ÷ 135°
Bore Ø	80 mm
Holding moment	4000 Nm
Clamping moment (0,5 MPa)	1100 Nm
Weight (clamping arm not included)	8,6 Kg
Pneumatic supply ports	G1/4 on both sides
Sensor	electronic (optical)
Supply voltage	10 ÷ 30 Vdc
IP code	IP65

*The opening angle range may vary according to the arm position and style.

CODIFICATION KEY

UC | B | P | 80 | O | E | A | K | 0 | |

1 2 3 4 5 6 7 8 9 10



COMPENSATION



LIGHTWEIGHT



IRREVERSIBLE



ANGLE ADJUSTMENT



OPTICAL SENSOR

1

SERIES
UC = UNICLAMP Power clamps

2

STANDARD
B = European standard

3

VERSION
P = Pneumatic

4

SIZE
80 = Ø80 mm

5

ARM POSITION

V = 90°



O = 180°



N = No arm



6

ARM STYLE
C = Central, 20 mm offset
D = Right, 20 mm offset
S = Left, 20 mm offset
E = Central, 45 mm offset
F = Right, 45 mm offset
L = Left, 45 mm offset
N = No arm
For other versions contact our Sales Dept.

7

ARM TYPE
A = Aluminium
S = Steel
N = No arm

8

SENSOR
N = No sensor (with protection plate)
K = Electronic sensor PNP, M12 (DF-K)
D = Pneumatic sensor (DF-UPNW80)
J = Electronic sensor NPN, optical (DF-J)
Y = Electronic sensor PNP, M12 (DF-Y) white LED

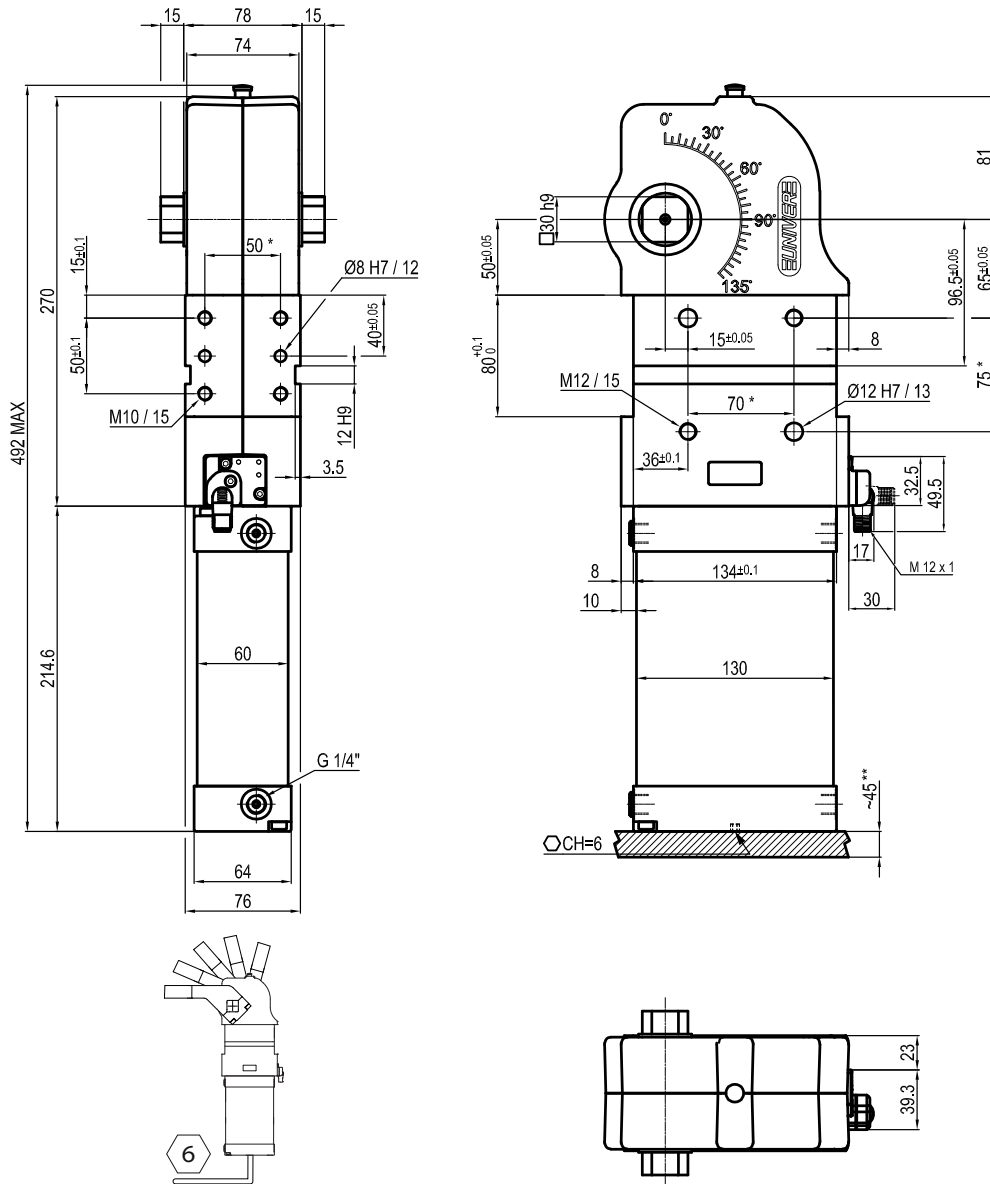
9

PRODUCT REVISION
Assigned by UNIVER

10

ATEX
X = ATEX option

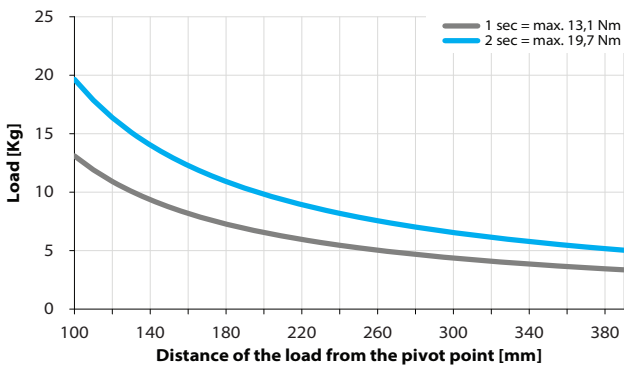
2



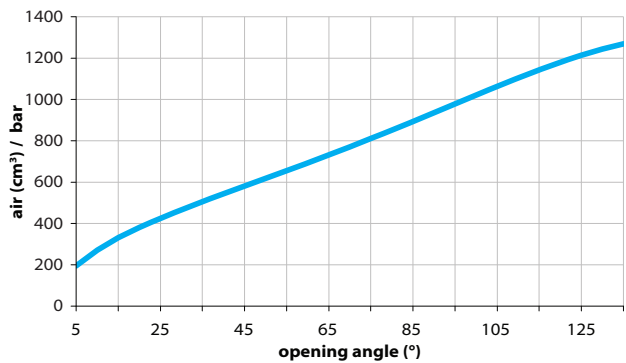
* TOLERANCE BETWEEN DOWELS ± 0,02, BETWEEN SCREW HOLES ± 0,1
 **AREA TO ACCESS ANGLE ADJUSTMENT

Maximum Applicable Load

Pressure: 5 bar - 90° cycle time (Open - Close)

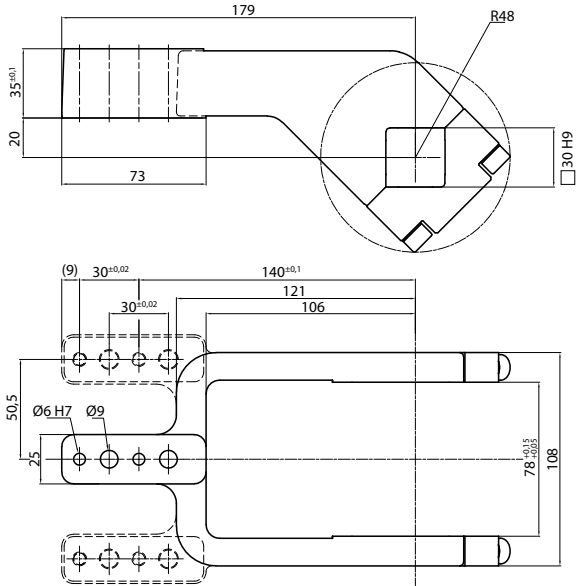


Air Consumption per Cycle

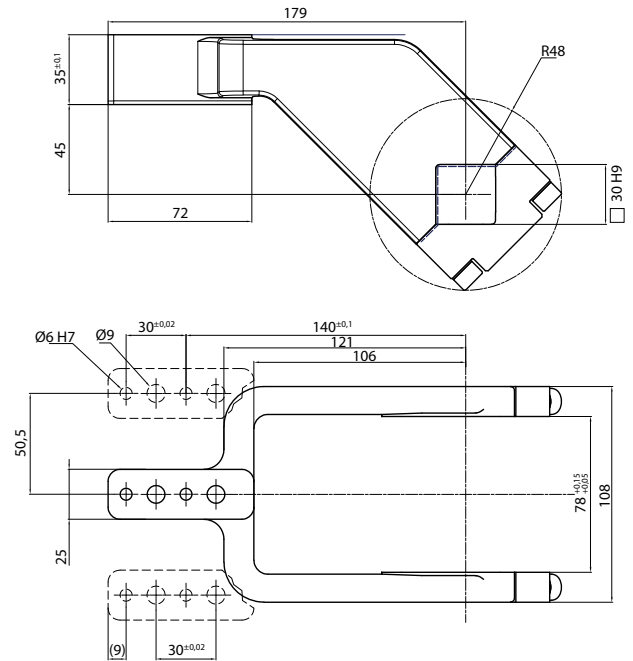


Clamping Arms

Arm Offset 20mm



Arm Offset 45mm



2



Armcode	Offset	Material	Arm style	Weight (Kg)	Opening angle (90°)	Opening angle (180°)
LKP80C	20	ALUMINIUM	CENTRAL	0,6	0±135°	0±105°
LKP80D	20	ALUMINIUM	RIGHT	0,6	0±135°	0±105°
LKP80S	20	ALUMINIUM	LEFT	0,6	0±135°	0±105°
UKP80CS	20	STEEL	CENTRAL	2,3	0±135°	0±105°
UKP80DS	20	STEEL	RIGHT	2,3	0±135°	0±105°
UKP80SS	20	STEEL	LEFT	2,3	0±135°	0±105°
UKP80E	45	ALUMINIUM	CENTRAL	0,6	0±135°	0±125°
UKP80F	45	ALUMINIUM	RIGHT	0,6	0±135°	0±125°
UKP80L	45	ALUMINIUM	LEFT	0,6	0±135°	0±125°
UKP80ES	45	STEEL	CENTRAL	2,2	0±135°	0±125°
UKP80FS	45	STEEL	RIGHT	2,2	0±135°	0±125°
UKP80LS	45	STEEL	LEFT	2,2	0±135°	0±125°

Sensors



Electronic (optical)

- DF-K PNP M12
- DF-J NPN M12
- DF-Y PNP M12 White LED



Pneumatic

DF-UPNW80

Accessories



Self holding system

UBK46P30

UCBM 40

Pneumatic power clamps Ø40 mm with hand lever

Pneumatic power clamps with compensation system, toggle-joint mechanism and stepless adjustable opening angle, typically used for handling and holding metal sheets in welding applications

- Lightweight aluminium construction ideal for mounting on grippers
- Compact dimensions
- Integrated compensation system up to 2 mm
- Hand lever mount on both sides
- Fully optical electronic sensor or pneumatic sensor
- Fixing pattern on 4 sides
- Manual unlocking in case of air loss
- Self-holding system for open position available
- Clamping arm in aluminium or steel

CHARACTERISTICS

Operating temperature	5° ÷ 45° C
Min./Max. Operating pressure	0,4 / 0,6 MPa
Opening angle*	0° ÷ 135°
Bore Ø	40 mm
Holding moment	600 Nm
Clamping moment (0,5 MPa)	170 Nm
Weight (clamping arm not included)	1,8 Kg
Pneumatic supply ports	G1/8 on both sides
Sensor	electronic (optical)
Supply voltage	10 ÷ 30 Vdc
IP code	IP65

*The opening angle range may vary according to the arm position and style.

CODIFICATION KEY

UC	B	M	40	O	E	A	K	0	
1	2	3	4	5	6	7	8	9	10



COMPENSATION



LIGHTWEIGHT



IRREVERSIBLE



ANGLE ADJUSTMENT



OPTICAL SENSOR



COMPACT

1

SERIES
UC = UNICLAMP Power clamps

2

STANDARD
B = European standard

3

VERSION
M = Pneumatic with hand lever

4

SIZE
40 = Ø40 mm

5

ARM POSITION

V = 90°



O = 180°



N = No arm



6

ARM STYLE
C = Central, 15 mm offset
D = Right, 15 mm offset
S = Left, 15 mm offset
E = Central, 45 mm offset
F = Right, 45 mm offset
L = Left, 45 mm offset
N = No arm
For other versions contact our Sales Dept.

7

ARM TYPE
A = Aluminium
S = Steel
N = No arm

8

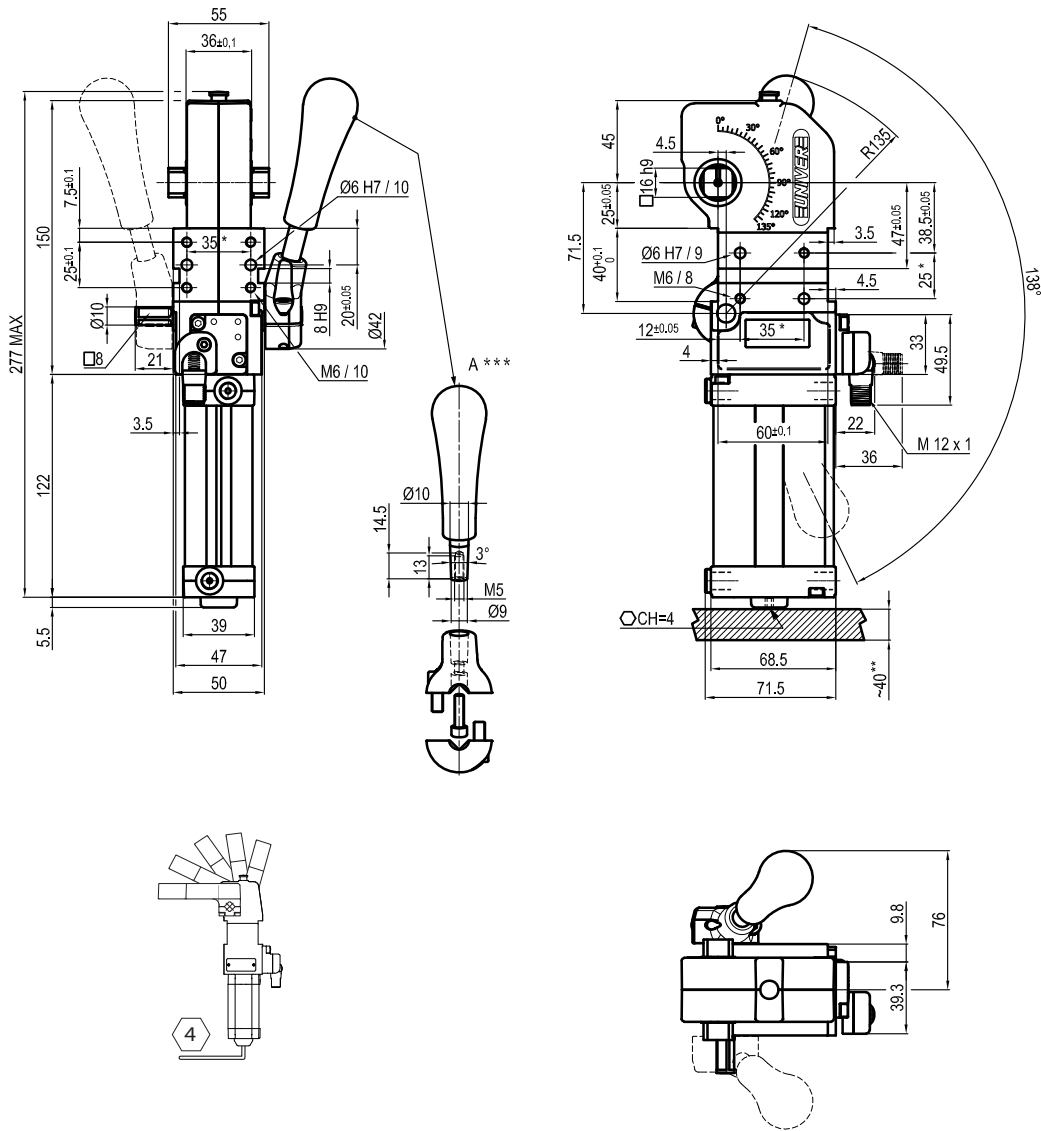
SENSOR
N = No sensor (with protection plate)
K = Electronic sensor PNP, M12 (DF-K)
D = Pneumatic sensor (DF-UPNW)
J = Electronic sensor NPN, optical (DF-J)
Y = Electronic sensor PNP, M12 (DF-Y) white LED

9

PRODUCT REVISION
Assigned by UNIVER

10

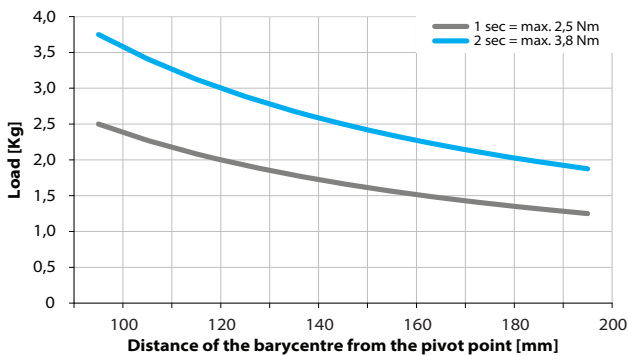
ATEX
X = ATEX option
See ATEX Catalogue for types and versions



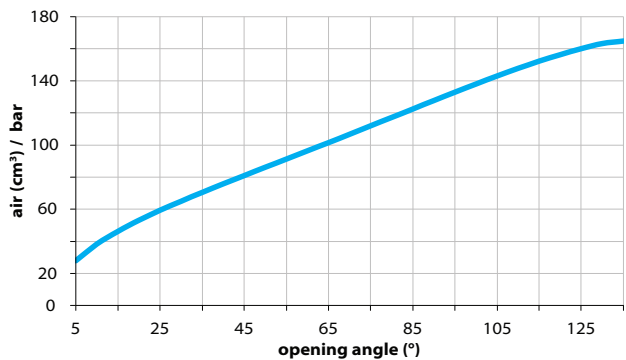
*TOLERANCE BETWEEN DOWELS $\pm 0,02$ BETWEEN SCREW HOLES $\pm 0,1$
 **AREA TO ACCESS ANGLE ADJUSTMENT
 ***DIMENSIONS TO BE RESPECTED IN CASE OTHER HAND LEVERS ARE USED

Maximum Applicable Load

Pressure: 5 bar - 90° cycle time (Open - Close)



Air Consumption per Cycle

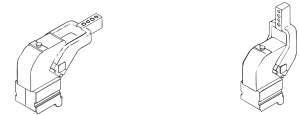
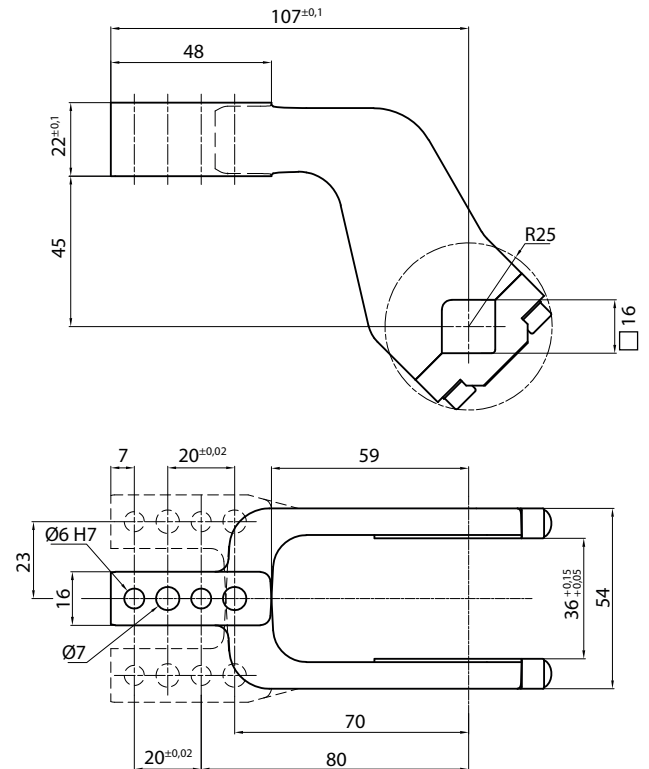
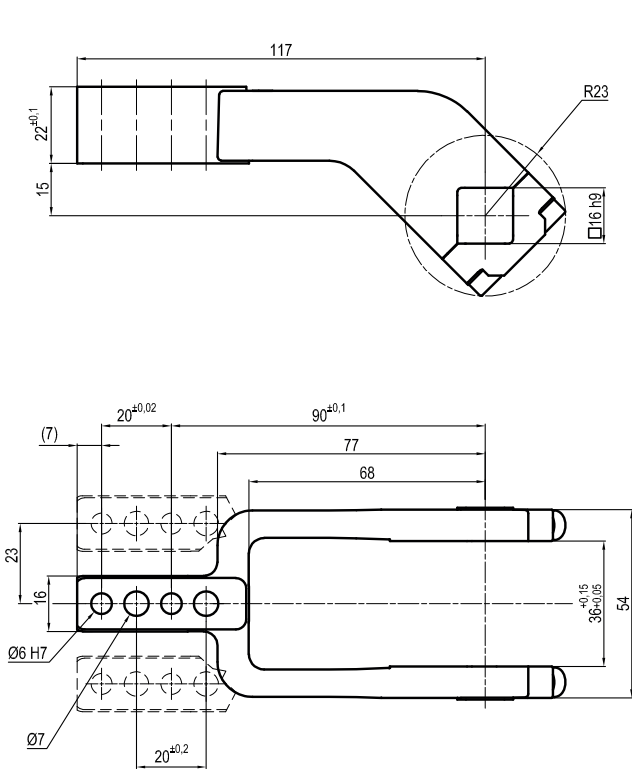


Clamping Arms

Arm Offset 15mm

Arm Offset 45mm

2



Armcode	Offset	Material	Arm style	Weight (Kg)	Opening angle (90°)	Opening angle (180°)
LKP01CST	15	ALUMINIUM	CENTRAL	0,2	0÷135°	0÷125°
LKP01DST	15	ALUMINIUM	RIGHT	0,2	0÷135°	0÷125°
LKP01SST	15	ALUMINIUM	LEFT	0,2	0÷135°	0÷125°
UP120151441S	15	STEEL	CENTRAL	0,4	0÷135°	0÷125°
UP120151442S	15	STEEL	RIGHT	0,4	0÷135°	0÷125°
UP120151443S	15	STEEL	LEFT	0,4	0÷135°	0÷125°
UKP01E	45	ALUMINIUM	CENTRAL	0,25	0÷125°	0÷135°
UKP01F	45	ALUMINIUM	RIGHT	0,25	0÷125°	0÷135°
UKP01L	45	ALUMINIUM	LEFT	0,25	0÷125°	0÷135°
UKP01ES	45	STEEL	CENTRAL	0,4	0÷125°	0÷135°
UKP01FS	45	STEEL	RIGHT	0,4	0÷125°	0÷135°
UKP01LS	45	STEEL	LEFT	0,4	0÷125°	0÷135°

Sensors

Accessories



Electronic (optical)

Pneumatic

Handlever

Self holding system

DF-K PNP M12
DF-J NPN M12
DF-Y PNP M12 White LED

DF-UPNW

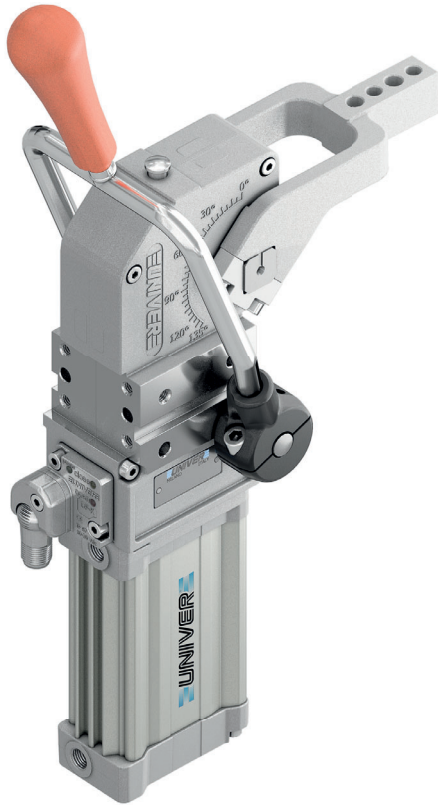
UBF2540

UBK46P16 For arm 15 offset
UBK46P16-45 For arm 45 offset

UCBT 40

Pneumatic power clamps Ø40 mm with central hand lever

Pneumatic power clamps with compensation system, toggle-joint mechanism and stepless adjustable opening angle, typically used for handling and holding metal sheets in welding applications



- Lightweight aluminium construction
- Compact dimensions
- Integrated compensation system up to 2,0 mm
- Central hand lever standard supplied
- Fully optical electronic sensor or pneumatic sensor
- Fixing pattern on 2 sides
- Manual unlocking in case of air loss
- Self-holding system for open position available
- Clamping arm in aluminium or steel

CHARACTERISTICS

Operating temperature	5° ÷ 45° C
Min./Max. Operating pressure	0,4 / 0,6 MPa
Opening angle*	0° ÷ 135°
Bore Ø	40 mm
Holding moment	600 Nm
Clamping moment (0,5 MPa)	170 Nm
Weight (clamping arm not included)	2,1 Kg
Pneumatic supply ports	G1/8 on both sides
Sensor	electronic (optical)
Supply voltage	10 ÷ 30 Vdc
IP code	IP65

*The opening angle range may vary according to the arm position and style.

CODIFICATION KEY

UC	B	T	40	O	E	A	K	0	
1	2	3	4	5	6	7	8	9	10



COMPENSATION



LIGHTWEIGHT



IRREVERSIBLE



ANGLE ADJUSTMENT



OPTICAL SENSOR



COMPACT

1

SERIES
UC = UNICLAMP Power clamps

2

STANDARD
B = European standard

3

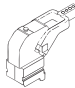
VERSION
T = Pneumatic with central hand lever


4


SIZE
40 = Ø40 mm

5

ARM POSITION

V = 90° 

O = 180° 

N = No arm 

6

ARM STYLE
C = Central, 15 mm offset
D = Right, 15 mm offset
S = Left, 15 mm offset
E = Central, 45 mm offset
F = Right, 45 mm offset
L = Left, 45 mm offset
N = No arm
For other versions contact our Sales Dept.

7

ARM TYPE
A = Aluminium
S = Steel
N = No arm

8

SENSOR
N = No sensor (with protection plate)
K = Electronic sensor PNP, M12 (DF-K)
D = Pneumatic sensor (DF-UPNW)
J = Electronic sensor NPN, optical (DF-J)
Y = Electronic sensor PNP, M12 (DF-Y) white LED

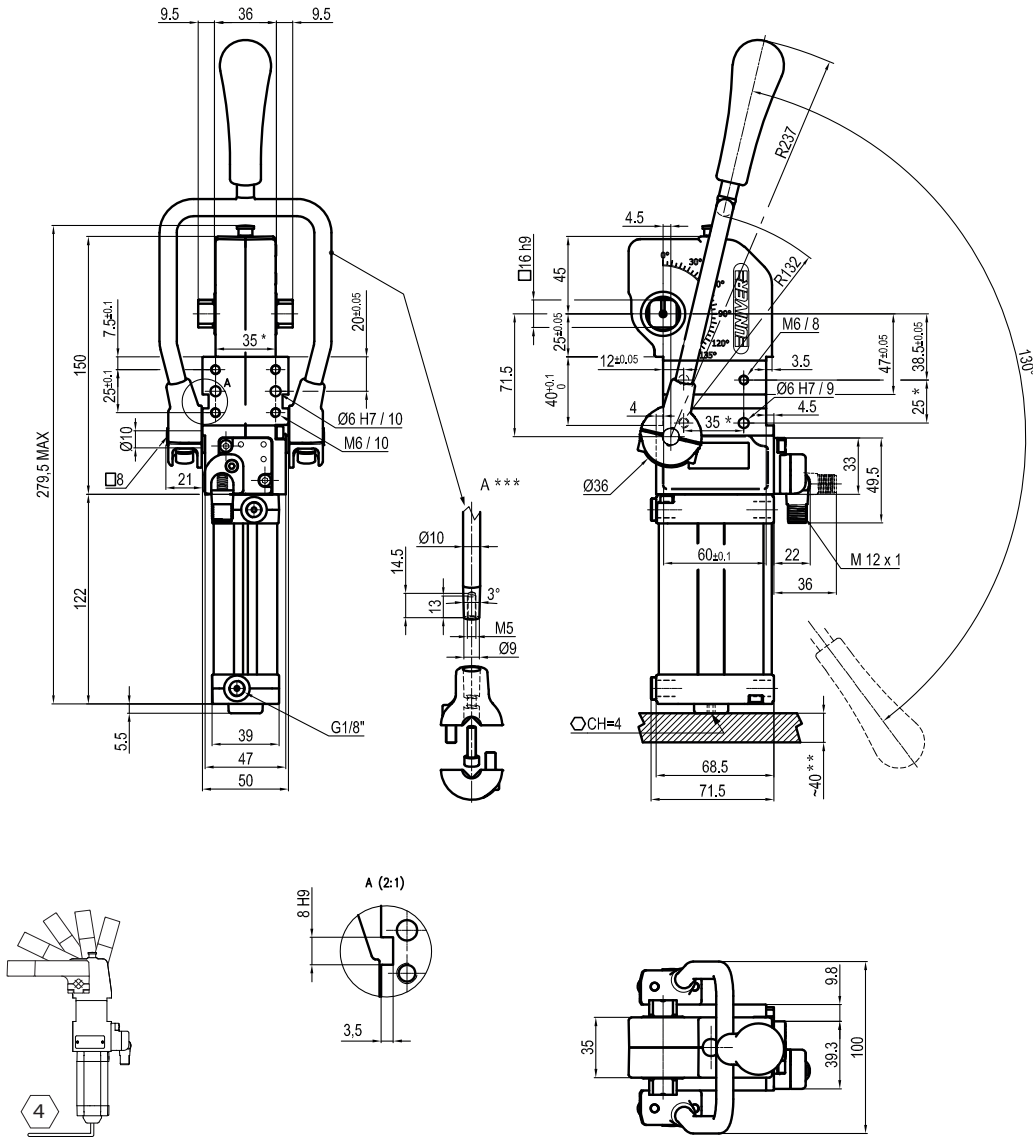
9

PRODUCT REVISION
Assigned by UNIVER

10

ATEX
X = ATEX option
See ATEX Catalogue for types and versions

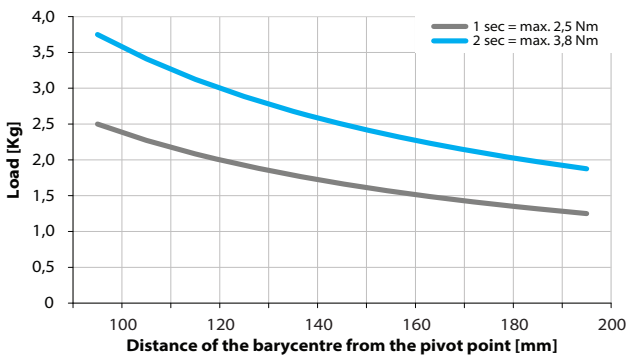
2



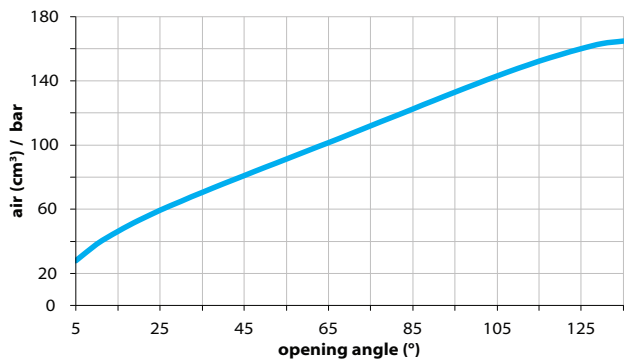
*TOLERANCE BETWEEN DOWELS ± 0,02 BETWEEN SCREW HOLES ± 0,1
 **AREA TO ACCESS ANGLE ADJUSTMENT
 ***DIMENSIONS TO BE RESPECTED IN CASE OTHER MANUAL LEVERS ARE USED

Maximum Applicable Load

Pressure: 5 bar - 90° cycle time (Open - Close)

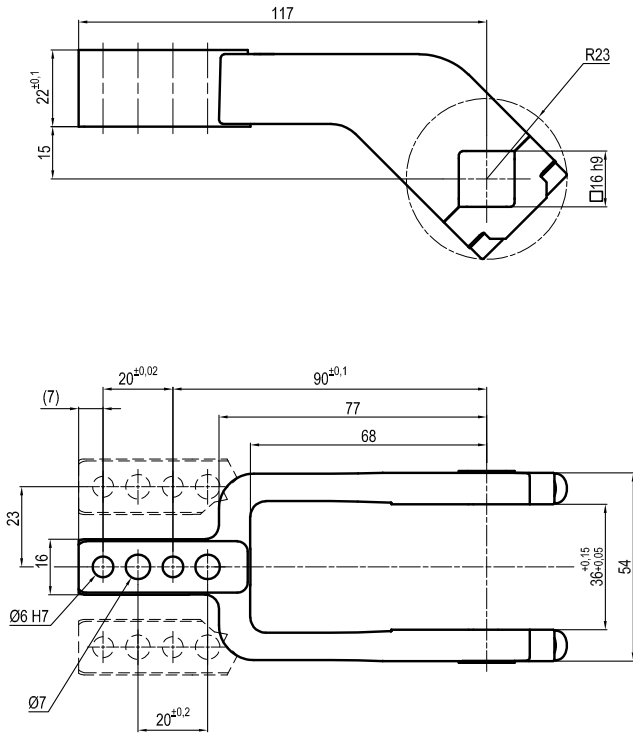


Air Consumption per Cycle

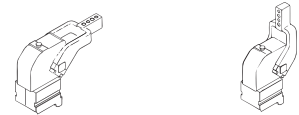
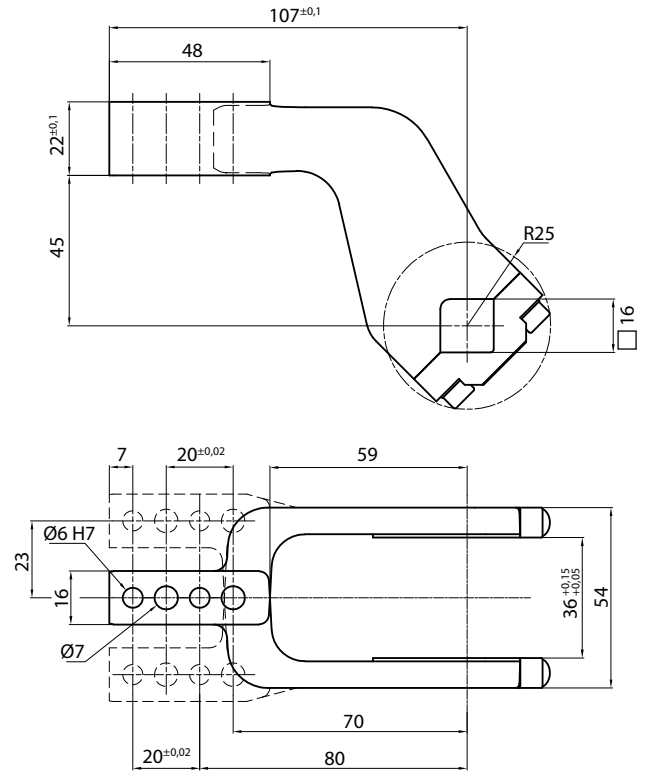


Clamping Arms

Arm Offset 15mm



Arm Offset 45mm



Armcode	Offset	Material	Arm style	Weight (Kg)	Opening angle (90°)	Opening angle (180°)
LKP01CST	15	ALUMINIUM	CENTRAL	0,2	0÷135°	0÷125°
LKP01DST	15	ALUMINIUM	RIGHT	0,2	0÷135°	0÷125°
LKP01SST	15	ALUMINIUM	LEFT	0,2	0÷135°	0÷125°
UP120151441S	15	STEEL	CENTRAL	0,4	0÷135°	0÷125°
UP120151442S	15	STEEL	RIGHT	0,4	0÷135°	0÷125°
UP120151443S	15	STEEL	LEFT	0,4	0÷135°	0÷125°
UKP01E	45	ALUMINIUM	CENTRAL	0,25	0÷125°	0÷135°
UKP01F	45	ALUMINIUM	RIGHT	0,25	0÷125°	0÷135°
UKP01L	45	ALUMINIUM	LEFT	0,25	0÷125°	0÷135°
UKP01ES	45	STEEL	CENTRAL	0,4	0÷125°	0÷135°
UKP01FS	45	STEEL	RIGHT	0,4	0÷125°	0÷135°
UKP01LS	45	STEEL	LEFT	0,4	0÷125°	0÷135°

Sensors



Electronic (optical)

DF-K PNP M12
DF-J NPN M12
DF-Y PNP M12 White LED



Pneumatic

DF-UPNW

Accessories



Handlever

UBTF2540



Self holding system

UBK46P16 For arm 15 offset
UBK46P16-45 For arm 45 offset

UCIM 40

Pneumatic power clamps Ø40 mm with hand lever, interchangeable with Ø50-63 mm

Pneumatic power clamps size Ø40 mm with fixing patterns interchangeable with size Ø50-63 mm, compensation system, toggle-joint mechanism and stepless adjustable opening angle, typically used for handling and holding metal sheets in welding applications

- Lightweight aluminium construction
- Compact dimensions
- Integrated compensation system up to 2 mm
- Hand lever mount on both sides
- Fully optical electronic sensor or pneumatic sensor
- Fixing pattern on the front side
- Manual unlocking in case of air loss
- Self-holding system for open position available
- Clamping arm in aluminium

CHARACTERISTICS

Operating temperature	5° ÷ 45° C
Min./Max. Operating pressure	0,4 / 0,6 MPa
Opening angle*	0° ÷ 135°
Bore Ø	40 mm
Holding moment	600 Nm
Clamping moment (0,5 MPa)	170 Nm
Weight (clamping arm not included)	2,1 Kg
Pneumatic supply ports	G1/8 on both sides
Sensor	electronic (optical)
Supply voltage	10 ÷ 30 Vdc
IP code	IP65

*The opening angle range may vary according to the arm position and style.

CODIFICATION KEY

UC	I	M	40	O	E	A	N	K	0	
1	2	3	4	5	6	7	8	9	10	11



COMPENSATION



LIGHTWEIGHT



IRREVERSIBLE



ANGLE ADJUSTMENT



OPTICAL SENSOR



COMPACT

1 SERIES
UC = UNICLAMP Power clamps

2 STANDARD
I = Interchangeable with size Ø50/63 mm

3 VERSION
M = Pneumatic with hand lever

4 SIZE
40 = Ø40 mm

5 ARM POSITION
V = 90°

O = 180°

N = No arm

6 ARM STYLE
C = Central, 15 mm offset
D = Right, 15 mm offset
S = Left, 15 mm offset
E = Central, 45 mm offset
F = Right, 45 mm offset
L = Left, 45 mm offset
N = No arm
For other versions contact our Sales Dept.

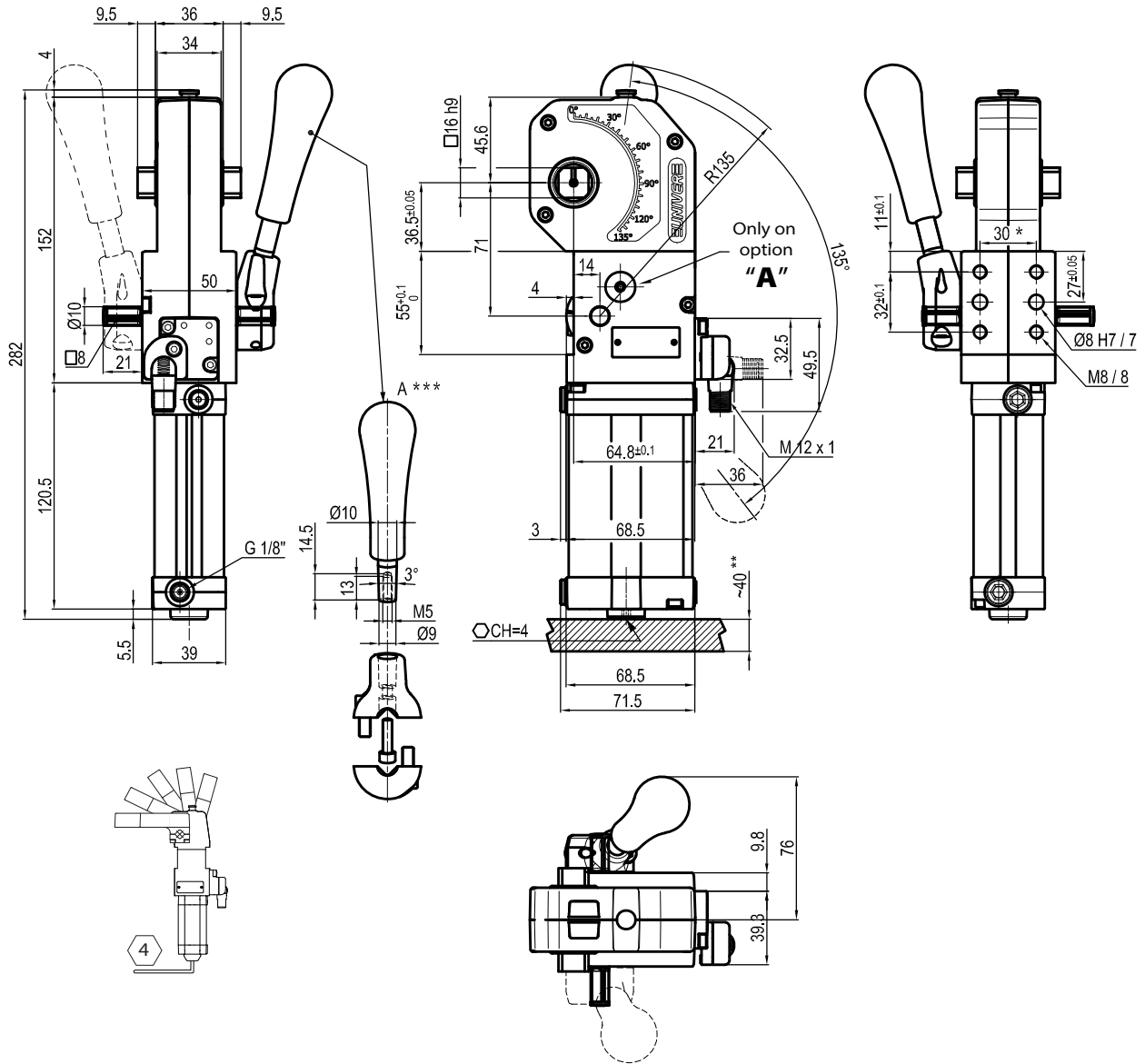
7 ARM TYPE
A = Aluminium
S = Steel
N = No arm

8 OPTION
N = Standard
A = Preset for self-holding system

9 SENSOR
N = No sensor (with protection plate)
K = Electronic sensor PNP, M12 (DF-K)
D = Pneumatic sensor (DF-UPNW)
J = Electronic sensor NPN, optical (DF-J)
Y = Electronic sensor PNP, M12 (DF-Y) white LED

10 PRODUCT REVISION
Assigned by UNIVER

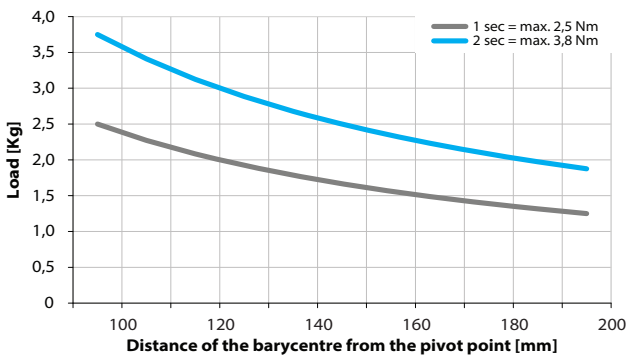
11 ATEX
X = ATEX option
See ATEX Catalogue for types and versions



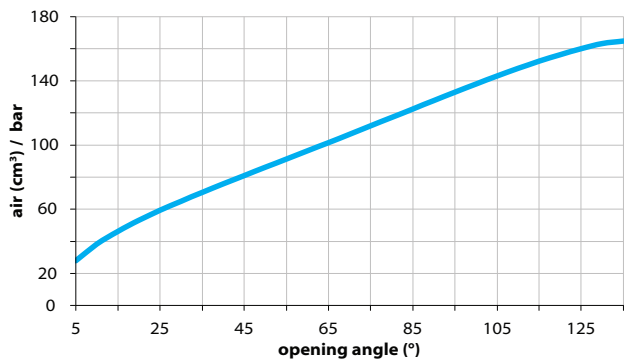
*TOLERANCE BETWEEN DOWELS ± 0,02 BETWEEN SCREW HOLES ± 0,1
 **AREA TO ACCESS ANGLE ADJUSTMENT
 ***DIMENSIONS TO BE RESPECTED IN CASE OTHER HAND LEVERS ARE USED

Maximum Applicable Load

Pressure: 5 bar - 90° cycle time (Open - Close)



Air Consumption per Cycle

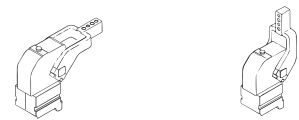
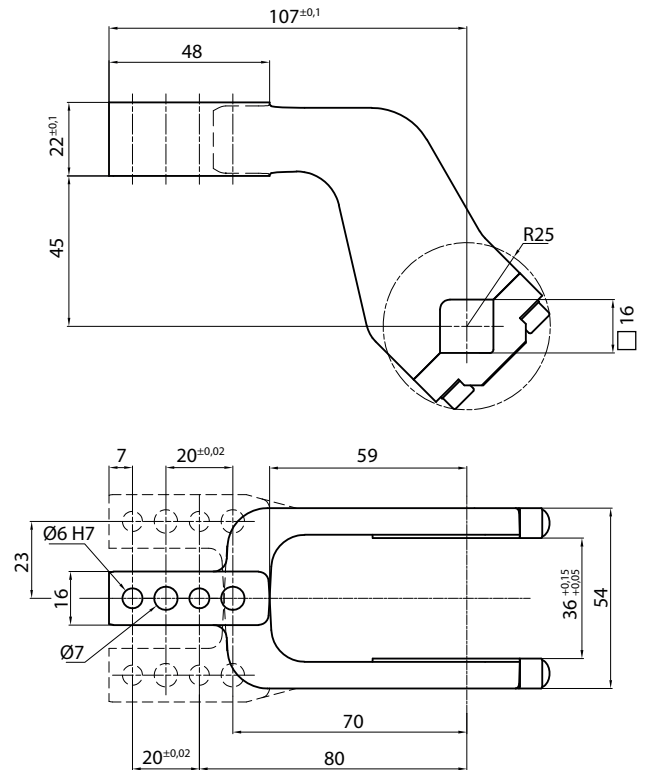
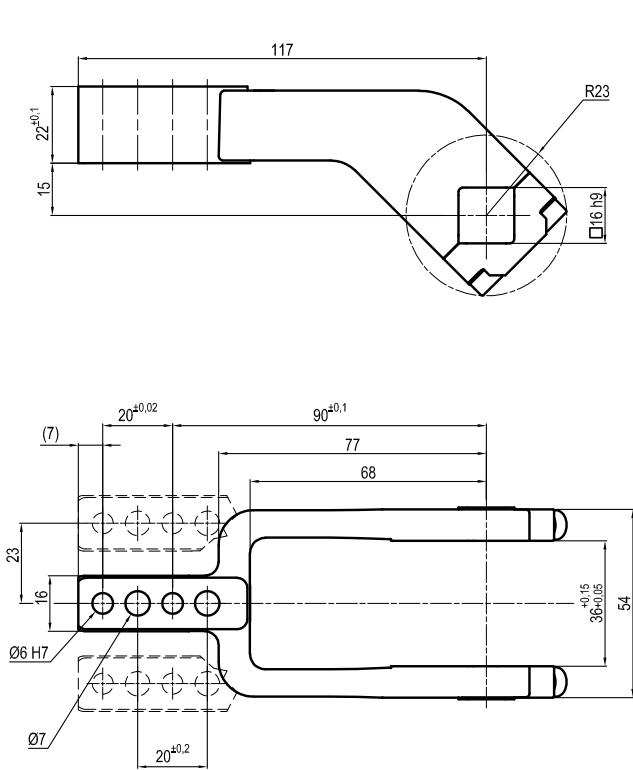


Clamping Arms

Arm Offset 15mm

Arm Offset 45mm

2



Armcode	Offset	Material	Arm style	Weight (Kg)	Opening angle (90°)	Opening angle (180°)
LKP01CST	15	ALUMINIUM	CENTRAL	0,2	0±135°	0±120°
LKP01DST	15	ALUMINIUM	RIGHT	0,2	0±135°	0±120°
LKP01SST	15	ALUMINIUM	LEFT	0,2	0±135°	0±120°
IKP40E	45	ALUMINIUM	CENTRAL	0,3	0±120°	0±120°
IKP40F	45	ALUMINIUM	RIGHT	0,3	0±120°	0±120°
IKP40L	45	ALUMINIUM	LEFT	0,3	0±120°	0±120°

Sensors

Accessories



Electronic (optical)

Pneumatic

Handlever

Self holding system

DF-K PNP M12
DF-J NPN M12
DF-Y PNP M12 White LED

DF-UPNW

UBF2540

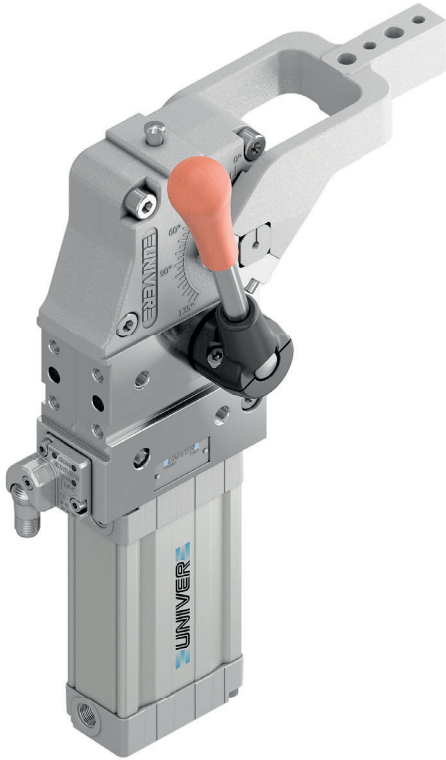
UBK46P16 For arm 15 offset
UBK46P16-45 For arm 45 offset

UCBM 50

Pneumatic power clamps Ø50 mm with hand lever

Pneumatic power clamps with compensation system, toggle-joint mechanism and stepless adjustable opening angle, typically used for handling and holding metal sheets in welding applications

- Lightweight aluminium construction
- Compact dimensions
- Integrated compensation system up to 1,7 mm
- Hand lever mount on both sides
- Fully optical electronic sensor or pneumatic sensor
- Fixing pattern on 4 sides
- Manual unlocking in case of air loss
- Self-holding system for open position available
- Clamping arm in aluminium or steel



CHARACTERISTICS

Operating temperature	5° ÷ 45° C
Min./Max. Operating pressure	0,4 / 0,6 MPa
Opening angle*	0° ÷ 135°
Bore Ø	50 mm
Holding moment	1250 Nm
Clamping moment (0,5 MPa)	280 Nm
Weight (clamping arm not included)	3,2 Kg
Pneumatic supply ports	G1/4 on both sides
Sensor	electronic (optical)
Supply voltage	10 ÷ 30 Vdc
IP code	IP65

*The opening angle range may vary according to the arm position and style.

CODIFICATION KEY

UC	B	M	50	O	E	A	K	0	
1	2	3	4	5	6	7	8	9	10



COMPENSATION



LIGHTWEIGHT



IRREVERSIBLE



ANGLE ADJUSTMENT



OPTICAL SENSOR



COMPACT

1

SERIES
UC = UNICLAMP Power clamps

2

STANDARD
B = European standard

3

VERSION
M = Pneumatic with hand lever

4

SIZE
50 = Ø50 mm

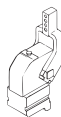
5

ARM POSITION

V = 90°



O = 180°



N = No arm



6

ARM STYLE
C = Central, 15 mm offset
D = Right, 15 mm offset
S = Left, 15 mm offset
E = Central, 45 mm offset
F = Right, 45 mm offset
L = Left, 45 mm offset
N = No arm
For other versions contact our Sales Dept.

7

ARM TYPE
A = Aluminium
S = Steel
N = No arm

8

SENSOR
N = No sensor (with protection plate)
K = Electronic sensor PNP, M12 (DF-K)
D = Pneumatic sensor (DF-UPNW)
J = Electronic sensor NPN, optical (DF-J)
Y = Electronic sensor PNP, M12 (DF-Y) white LED

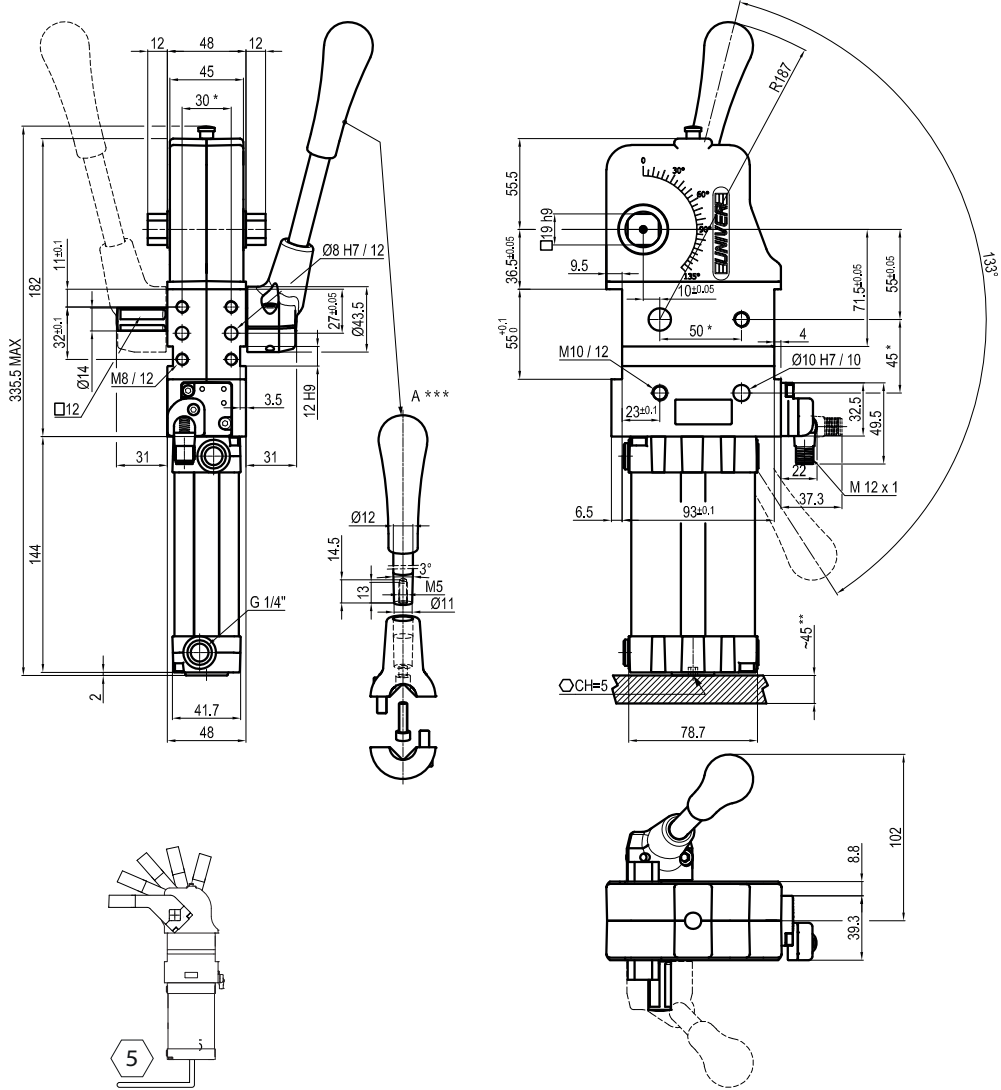
9

PRODUCT REVISION
Assigned by UNIVER

10

ATEX
X = ATEX option
See ATEX Catalogue for types and versions

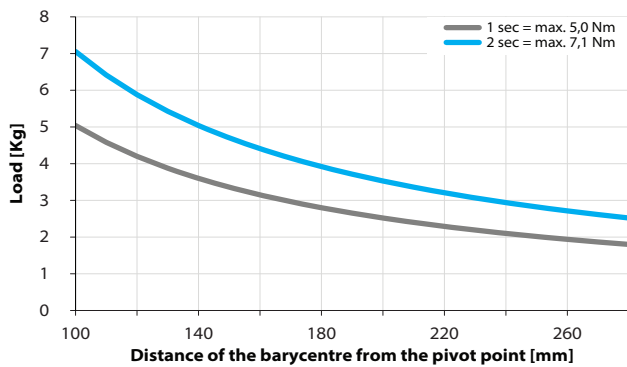
2



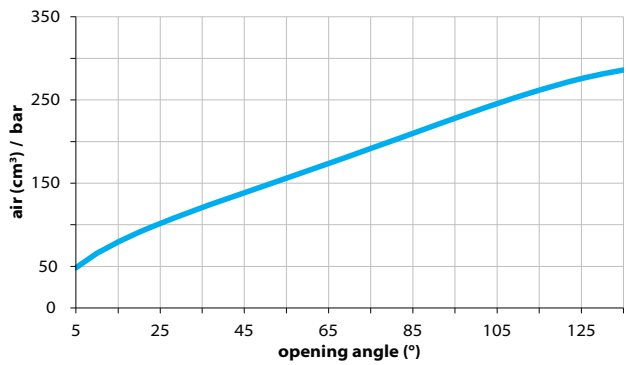
*TOLERANCE BETWEEN DOWELS ± 0,02 BETWEEN SCREW HOLES ± 0,1
 **AREA TO ACCESS ANGLE ADJUSTMENT
 ***DIMENSIONS TO BE RESPECTED IN CASE OTHER MANUAL LEVERS ARE USED

Maximum Applicable Load

Pressure: 5 bar - 90° cycle time (Open - Close)

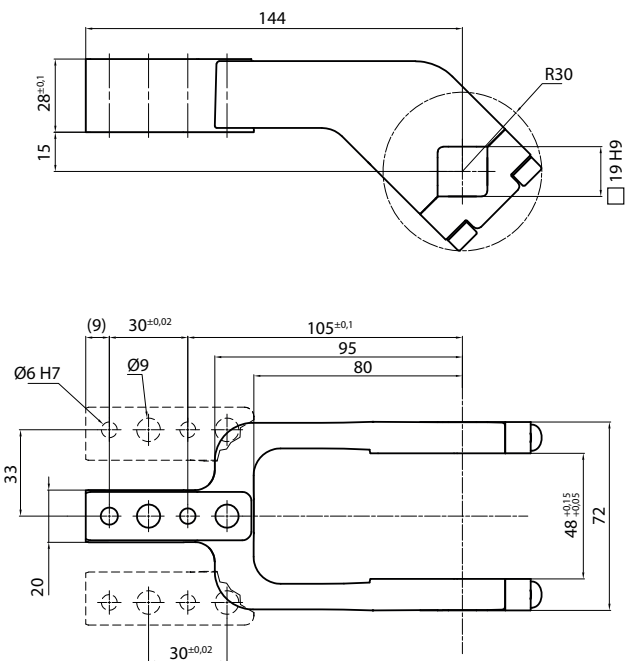


Air Consumption per Cycle

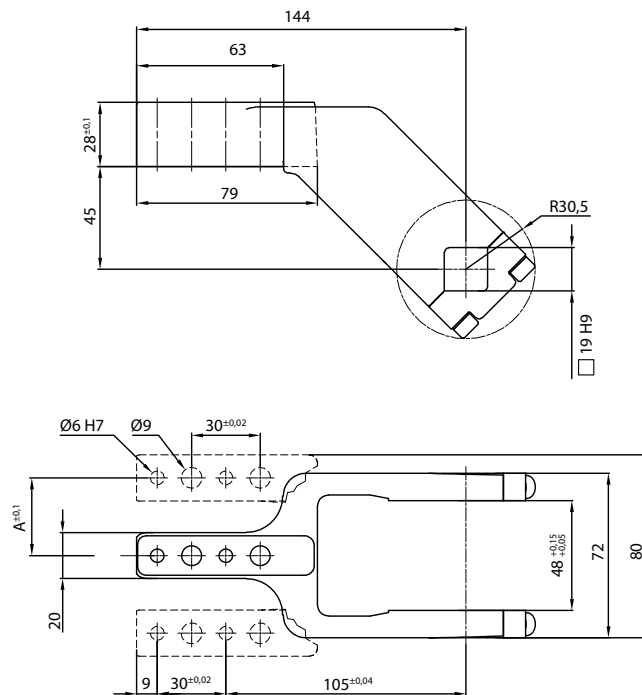


Clamping Arms

Arm Offset 15mm



Arm Offset 45mm



2



Armcode	Offset	Material	Arm style	Weight (Kg)	Opening angle (90°)	Opening angle (180°)
LKP00CL	15	ALUMINIUM	CENTRAL	0,4	0÷135°	0÷105°
LKP00DL	15	ALUMINIUM	RIGHT	0,4	0÷135°	0÷105°
LKP00SL	15	ALUMINIUM	LEFT	0,4	0÷135°	0÷105°
UP210151441G	15	STEEL	CENTRAL	0,8	0÷135°	0÷105°
UP210151442G	15	STEEL	RIGHT	0,8	0÷135°	0÷105°
UP210151443G	15	STEEL	LEFT	0,8	0÷135°	0÷105°
UKP5063E	45	ALUMINIUM	CENTRAL	0,45	0÷135°	0÷135°
UKP50F	45	ALUMINIUM	RIGHT	0,45	0÷135°	0÷135°
UKP50L	45	ALUMINIUM	LEFT	0,45	0÷135°	0÷135°
UKP5063ES	45	STEEL	CENTRAL	1,16	0÷135°	0÷135°
UKP50FS	45	STEEL	RIGHT	1,16	0÷135°	0÷135°
UKP50LS	45	STEEL	LEFT	1,16	0÷135°	0÷135°

Sensors



Electronic (optical)

- DF-K PNP M12
- DF-J NPN M12
- DF-Y PNP M12 White LED



Pneumatic

DF-UPNW

Accessories



Handlever

UBF255063



Self holding system

UBK46P19

UCBM 63

Pneumatic power clamps Ø63 mm with hand lever

Pneumatic power clamps with compensation system, toggle-joint mechanism and stepless adjustable opening angle, typically used for handling and holding metal sheets in welding applications

- Lightweight aluminium construction
- Compact dimensions
- Integrated compensation system up to 2,7 mm
- Hand lever mount on both sides
- Fully optical electronic sensor or pneumatic sensor
- Fixing pattern on 4 sides
- Manual unlocking in case of air loss
- Self-holding system for open position available
- Clamping arm in aluminium or steel

CHARACTERISTICS

Operating temperature	5° ÷ 45° C
Min./Max. Operating pressure	0,4 / 0,6 MPa
Opening angle*	0° ÷ 135°
Bore Ø	63 mm
Holding moment	1750 Nm
Clamping moment (0,5 MPa)	420 Nm
Weight (clamping arm not included)	3,6 Kg
Pneumatic supply ports	G1/4 on both sides
Sensor	electronic (optical)
Supply voltage	10 ÷ 30 Vdc
IP code	IP65

*The opening angle range may vary according to the arm position and style.

CODIFICATION KEY

UC	B	M	63	O	E	A	K	0	
1	2	3	4	5	6	7	8	9	10



COMPENSATION



LIGHTWEIGHT



IRREVERSIBLE



ANGLE ADJUSTMENT



OPTICAL SENSOR



COMPACT

- 1** SERIES
UC = UNICLAMP Power clamps
- 2** STANDARD
B = European standard
- 3** VERSION
M = Pneumatic with hand lever

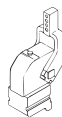
- 4** SIZE
63 = Ø63 mm

- 5** ARM POSITION

V = 90°



O = 180°



N = No arm



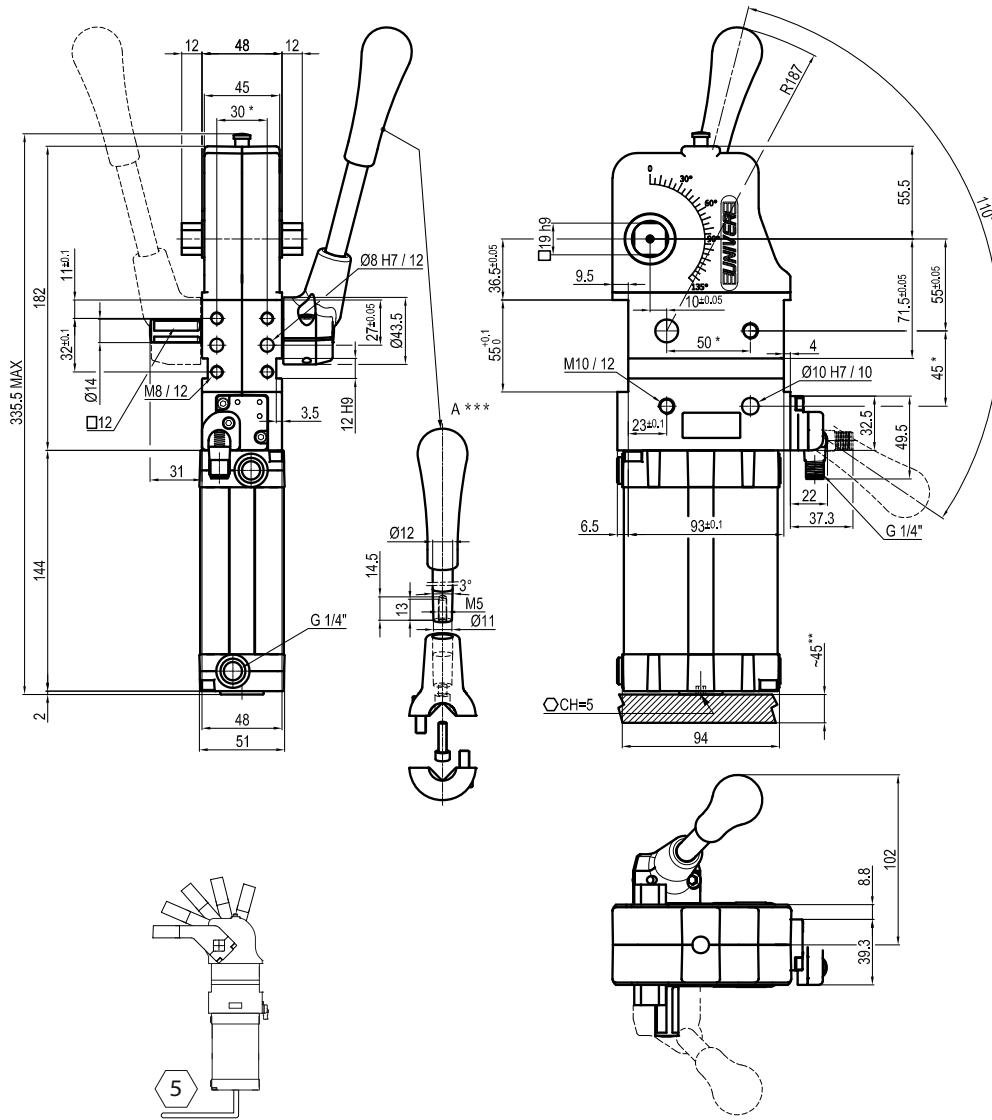
- 6** ARM STYLE
C = Central, 15 mm offset
D = Right, 15 mm offset
S = Left, 15 mm offset
E = Central, 45 mm offset
F = Right, 45 mm offset
L = Left, 45 mm offset
N = No arm
For other versions contact our Sales Dept.

- 7** ARM TYPE
A = Aluminium
S = Steel
N = No arm

- 8** SENSOR
N = No sensor (with protection plate)
K = Electronic sensor PNP, M12 (DF-K)
D = Pneumatic sensor (DF-UPNW)
J = Electronic sensor NPN, optical (DF-J)
Y = Electronic sensor PNP, M12 (DF-Y) white LED

- 9** PRODUCT REVISION
Assigned by UNIVER

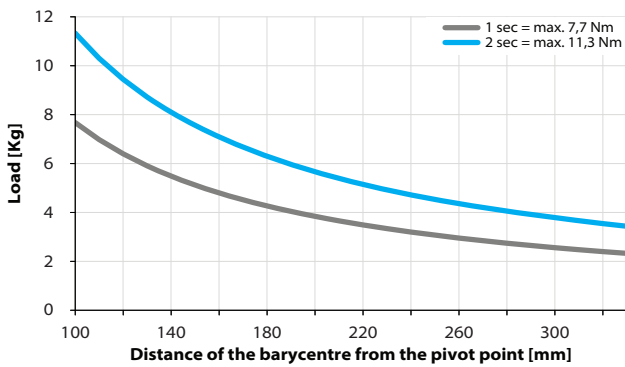
- 10** ATEX
X = ATEX option
See ATEX Catalogue for types and versions



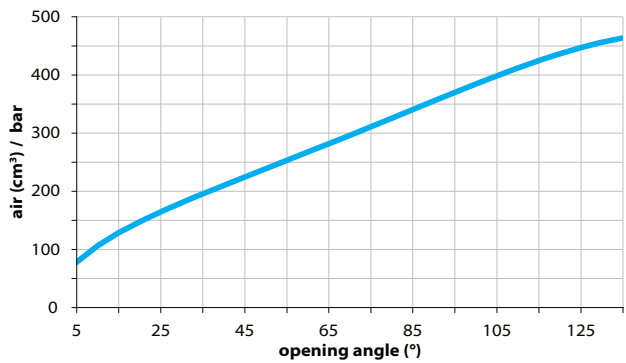
* TOLERANCE BETWEEN DOWELS $\pm 0,02$, BETWEEN SCREW HOLES $\pm 0,1$
 ** AREA TO ACCESS ANGLE ADJUSTMENT
 *** DIMENSION TO BE RESPECTED IN CASE OTHER MANUAL LEVERS ARE USED

Maximum Applicable Load

Pressure: 5 bar - 90° cycle time (Open - Close)



Air Consumption per Cycle

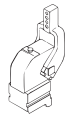
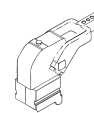
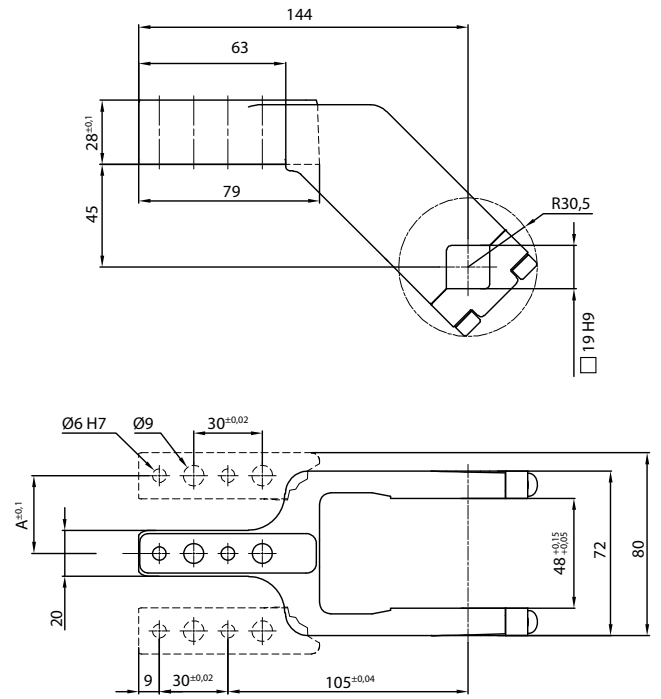
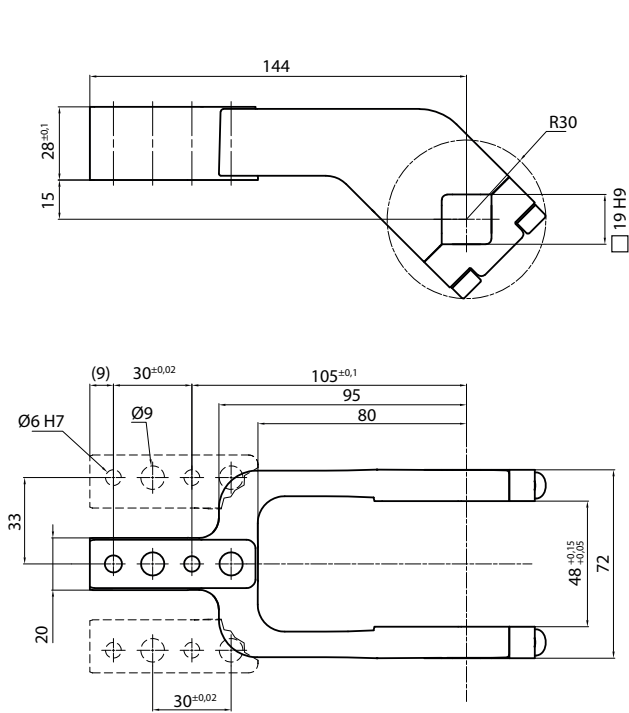


Clamping Arms

Arm Offset 15mm

Arm Offset 45mm

2



Armcode	Offset	Material	Arm style	Weight (Kg)	Opening angle (90°)	Opening angle (180°)
LKP00CL	15	ALUMINIUM	CENTRAL	0,4	0±135°	0±105°
LKP00DL	15	ALUMINIUM	RIGHT	0,4	0±135°	0±105°
LKP00SL	15	ALUMINIUM	LEFT	0,4	0±135°	0±105°
UP210151441G	15	STEEL	CENTRAL	0,8	0±135°	0±105°
UP210151442G	15	STEEL	RIGHT	0,8	0±135°	0±105°
UP210151443G	15	STEEL	LEFT	0,8	0±135°	0±105°
UKP5063E	45	ALUMINIUM	CENTRAL	0,45	0±135°	0±135°
UKP63F	45	ALUMINIUM	RIGHT	0,45	0±135°	0±135°
UKP63L	45	ALUMINIUM	LEFT	0,45	0±135°	0±135°
UKP5063ES	45	STEEL	CENTRAL	1,16	0±135°	0±135°
UKP63FS	45	STEEL	RIGHT	1,16	0±135°	0±135°
UKP63LS	45	STEEL	LEFT	1,16	0±135°	0±135°

Sensors

Accessories



Electronic (optical)

Pneumatic

Handlever

Self holding system

DF-K PNP M12
DF-J NPN M12
DF-Y PNP M12 White LED

DF-UPNW

UBF255063

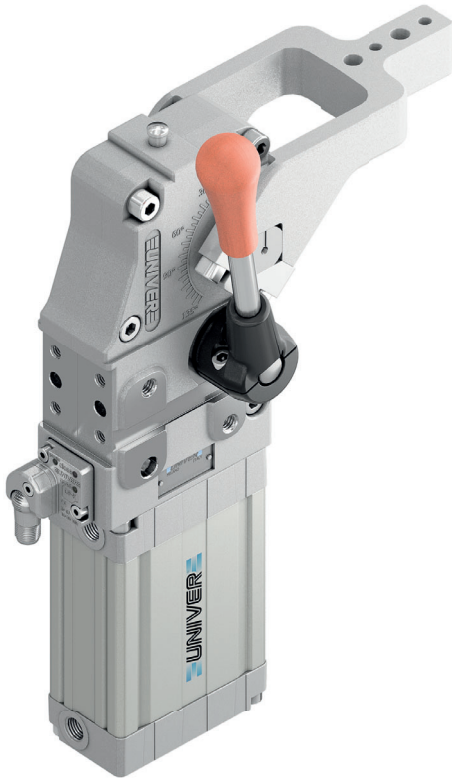
UBK46P19

UCBQ 63

Pneumatic power clamps Ø63 mm, □22 mm with hand lever

Pneumatic power clamps size Ø63 mm, □22 mm with hand lever, compensation system, toggle-joint mechanism and stepless adjustable opening angle, typically used for handling and holding metal sheets in welding applications

- Lightweight aluminium construction
- Compact dimensions
- Integrated compensation system up to 2,7 mm
- Hand lever mount on both sides
- Fully optical electronic sensor or pneumatic sensor
- Fixing pattern on 4 sides
- Manual unlocking in case of air loss
- Self-holding system for open position available
- Clamping arm in aluminium or steel



2

CHARACTERISTICS

Operating temperature	5° ÷ 45° C
Min./Max. Operating pressure	0,4 / 0,6 MPa
Opening angle*	0° ÷ 135°
Bore Ø	63 mm
Holding moment	1750 Nm
Clamping moment (0,5 MPa)	420 Nm
Weight (clamping arm not included)	3,8 Kg
Pneumatic supply ports	G1/4 on both sides
Sensor	electronic (optical)
Supply voltage	10 ÷ 30 Vdc
IP code	IP65

*The opening angle range may vary according to the arm position and style.

CODIFICATION KEY



COMPENSATION



LIGHTWEIGHT



IRREVERSIBLE



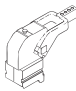
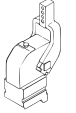

ANGLE ADJUSTMENT



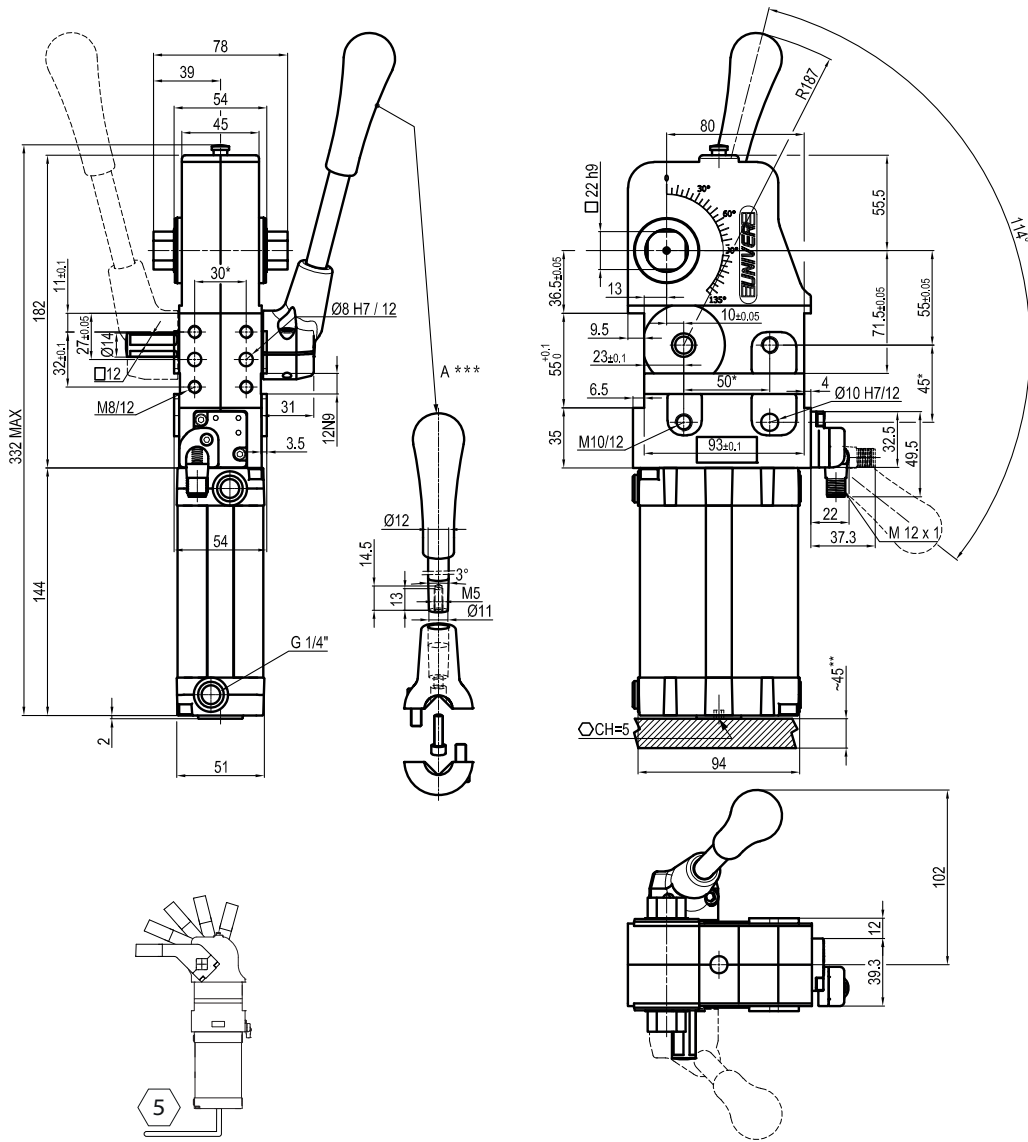
OPTICAL SENSOR



COMPACT

1	SERIES UC = UNICLAMP Power clamps	6	ARM STYLE C = Central, 15 mm offset D = Right, 15 mm offset S = Left, 15 mm offset E = Central, 45 mm offset F = Right, 45 mm offset L = Left, 45 mm offset N = No arm For other versions contact our Sales Dept.
2	STANDARD B = European standard	7	ARM TYPE A = Aluminium S = Steel N = No arm
3	VERSION Q = Pneumatic □ 22 mm with hand lever	8	SENSOR N = No sensor (with protection plate) K = Electronic sensor PNP, M12 (DF-K) D = Pneumatic sensor (DF-UPNW) J = Electronic sensor NPN, optical (DF-J) Y = Electronic sensor PNP, M12 (DF-Y) white LED
4	SIZE 63 = Ø 63 mm	9	PRODUCT REVISION Assigned by UNIVER
5	ARM POSITION V = 90°  O = 180°  N = No arm 	10	ATEX X = ATEX option See ATEX Catalogue for types and versions

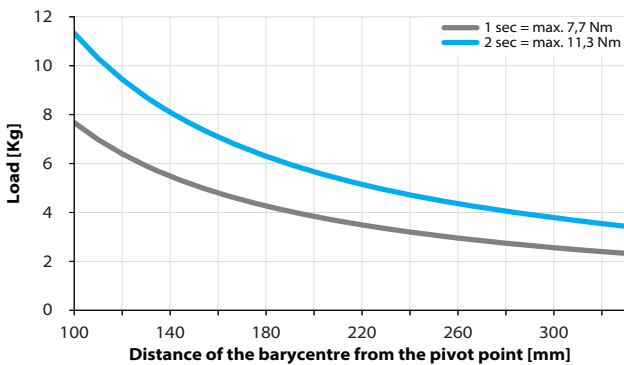
2



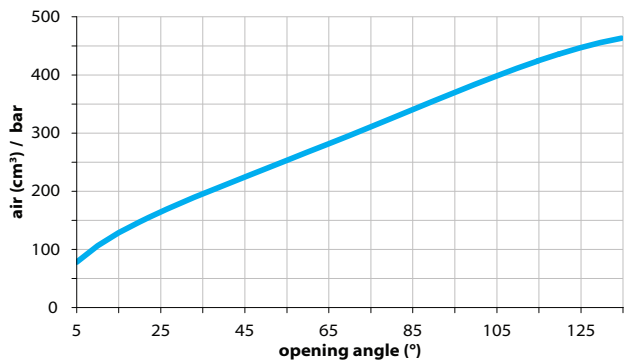
*TOLERANCE BETWEEN DOWELS ± 0,02 BETWEEN SCREW HOLES ± 0,1
 **AREA TO ACCESS ANGLE ADJUSTMENT
 ***DIMENSIONS TO BE RESPECTED IN CASE OTHER MANUAL LEVERS ARE USED

Maximum Applicable Load

Pressure: 5 bar - 90° cycle time (Open - Close)

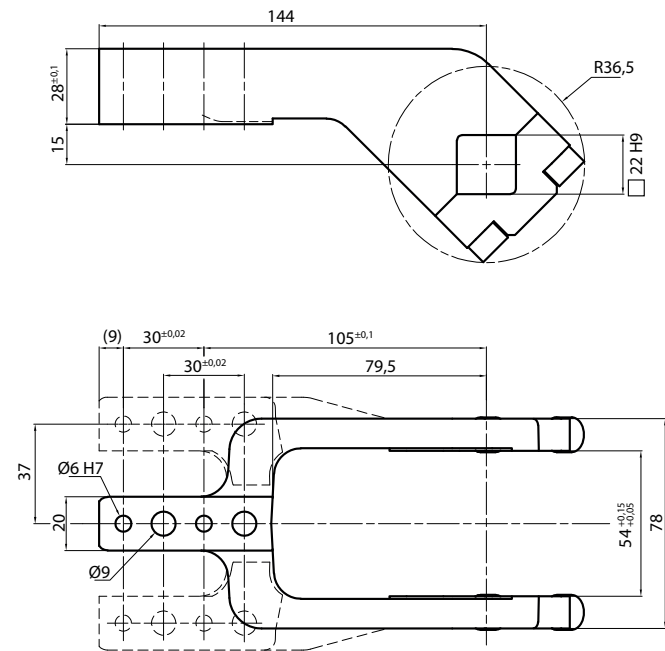


Air Consumption per Cycle

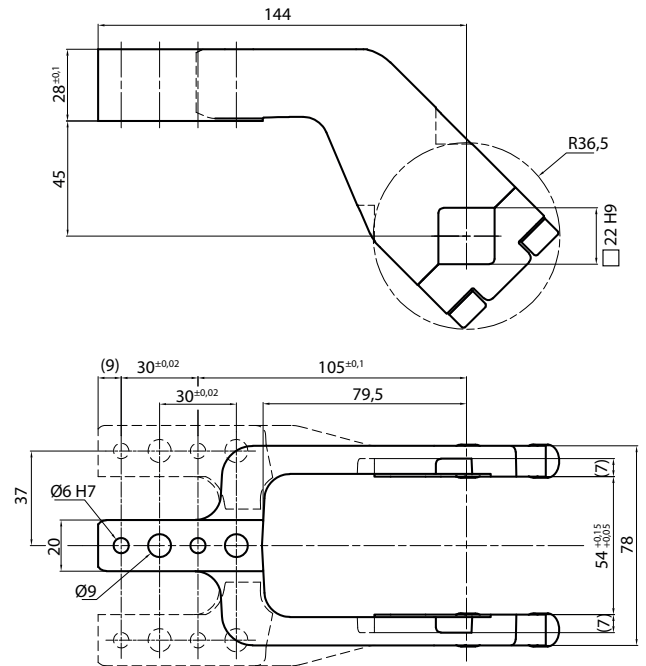


Clamping Arms

Arm Offset 15mm



Arm Offset 45mm



2



Armcode	Offset	Material	Arm style	Weight (Kg)	Opening angle (90°)	Opening angle (180°)
UP310151441A	15	ALUMINIUM	CENTRAL	0,3	0÷135°	0÷110°
UP310151442A	15	ALUMINIUM	RIGHT	0,3	0÷135°	0÷110°
UP310151443A	15	ALUMINIUM	LEFT	0,3	0÷135°	0÷110°
UP310151441S	15	STEEL	CENTRAL	1,2	0÷135°	0÷110°
UP310151442S	15	STEEL	RIGHT	1,2	0÷135°	0÷110°
UP310151443S	15	STEEL	LEFT	1,2	0÷135°	0÷110°
UP310451441A	45	ALUMINIUM	CENTRAL	0,3	0÷135°	0÷135°
UP310451442A	45	ALUMINIUM	RIGHT	0,3	0÷135°	0÷135°
UP310451443A	45	ALUMINIUM	LEFT	0,3	0÷135°	0÷135°
UP310451441S	45	STEEL	CENTRAL	1,4	0÷135°	0÷135°
UP310451442S	45	STEEL	RIGHT	1,4	0÷135°	0÷135°
UP310451443S	45	STEEL	LEFT	1,4	0÷135°	0÷135°

Sensors



Electronic (optical)

DF-K PNP M12
DF-J NPN M12
DF-Y PNP M12 White LED



Pneumatic

DF-UPNW

Accessories



Handlever

UBF255063



Self holding system

UBK46P22

UCBM 80

Pneumatic power clamps Ø80 mm with hand lever

Pneumatic power clamps with compensation system, toggle-joint mechanism and stepless adjustable opening angle, typically used for handling and holding metal sheets in welding applications

- Lightweight aluminium construction
- Integrated compensation system up to 2,9 mm
- Hand lever mount on both sides
- Fully optical electronic sensor or pneumatic sensor
- Fixing pattern on 4 sides
- Manual unlocking in case of air loss
- Self-holding system for open position available
- Clamping arm in aluminium or steel



2

CHARACTERISTICS

Operating temperature	5° ÷ 45° C
Min./Max. Operating pressure	0,4 / 0,6 MPa
Opening angle*	0° ÷ 135°
Bore Ø	80 mm
Holding moment	4000 Nm
Clamping moment (0,5 MPa)	1100 Nm
Weight (clamping arm not included)	9,5 Kg
Pneumatic supply ports	G1/4 on both sides
Sensor	electronic (optical)
Supply voltage	10 ÷ 30 Vdc
IP code	IP65

*The opening angle range may vary according to the arm position and style.

CODIFICATION KEY

UC	B	M	80	O	E	A	K	0	
1	2	3	4	5	6	7	8	9	10



COMPENSATION



LIGHTWEIGHT



IRREVERSIBLE



ANGLE ADJUSTMENT



OPTICAL SENSOR

- 1** SERIES
UC = UNICLAMP Power clamps
- 2** STANDARD
B = European standard
- 3** VERSION
M = Pneumatic with hand lever

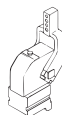
- 4** SIZE
80 = Ø 80 mm

- 5** ARM POSITION

V = 90°



O = 180°



N = No arm



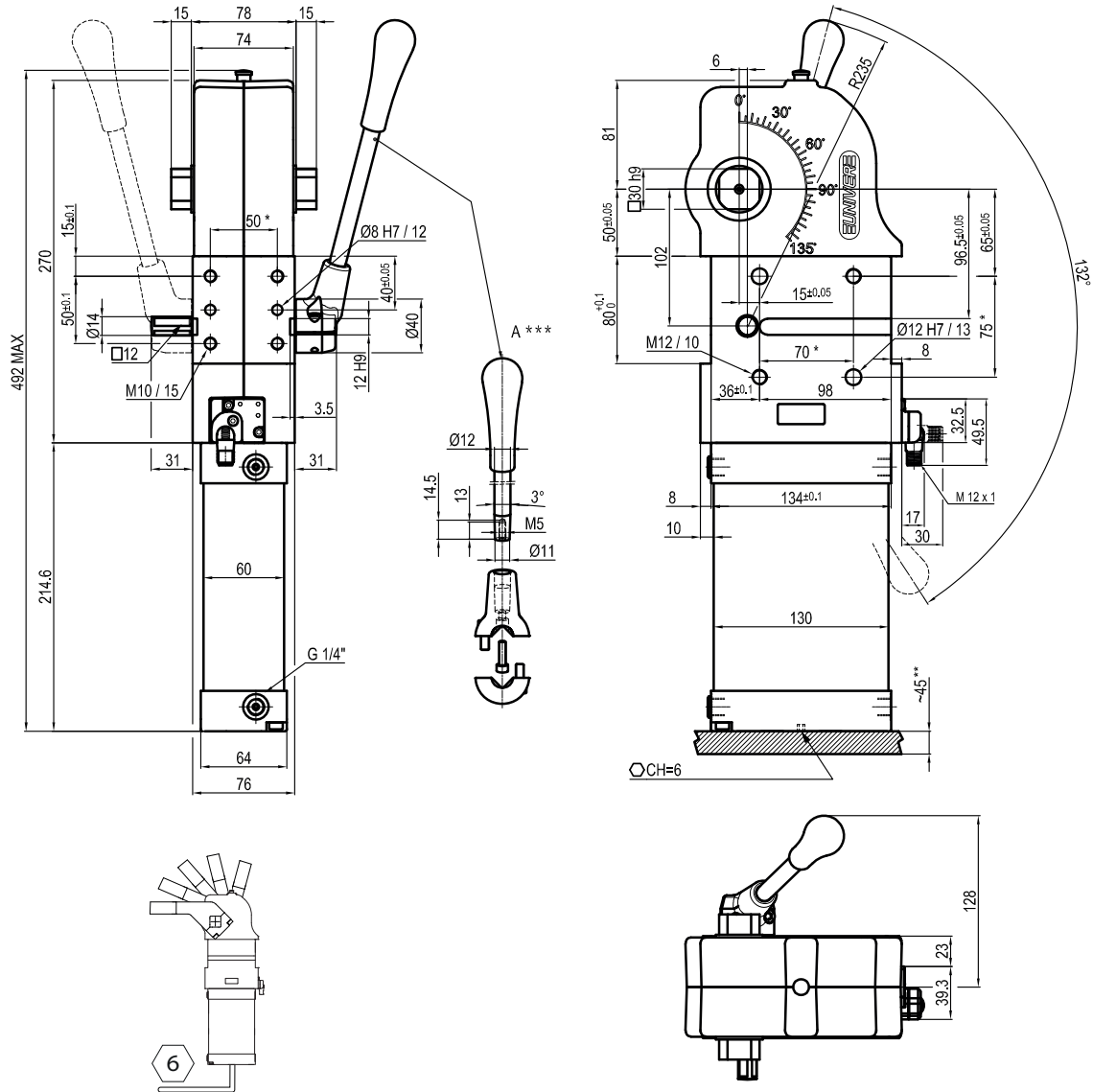
- 6** ARM STYLE
C = Central, 20 mm offset
D = Right, 20 mm offset
S = Left, 20 mm offset
E = Central, 45 mm offset
F = Right, 45 mm offset
L = Left, 45 mm offset
N = No arm
For other versions contact our Sales Dept.

- 7** ARM TYPE
A = Aluminium
S = Steel
N = No arm

- 8** SENSOR
N = No sensor (with protection plate)
K = Electronic sensor PNP, M12 (DF-K)
D = Pneumatic sensor (DF-UPNW80)
J = Electronic sensor NPN, optical (DF-J)
Y = Electronic sensor PNP, M12 (DF-Y) white LED

- 9** PRODUCT REVISION
Assigned by UNIVER

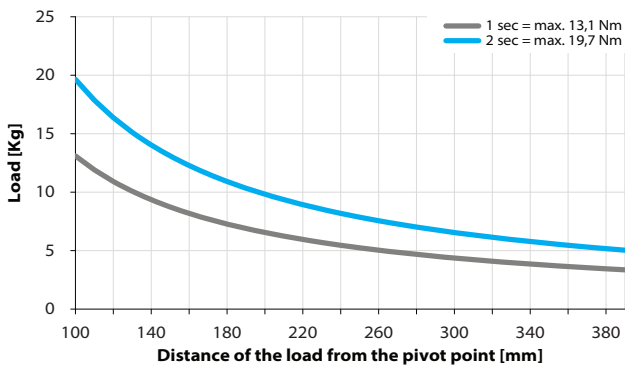
- 10** ATEX
X = ATEX option
See ATEX Catalogue for types and versions



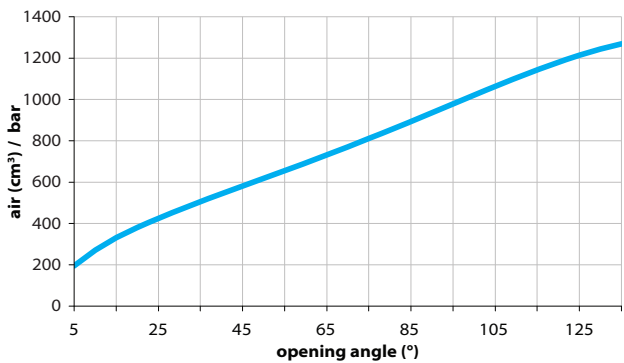
* TOLERANCE BETWEEN DOWELS ± 0,02, BETWEEN SCREW HOLES ± 0,1
 ** AREA TO ACCESS ANGLE ADJUSTMENT
 *** DIMENSION TO BE RESPECTED IN CASE OTHER MANUAL LEVERS ARE USED

Maximum Applicable Load

Pressure: 5 bar - 90° cycle time (Open - Close)

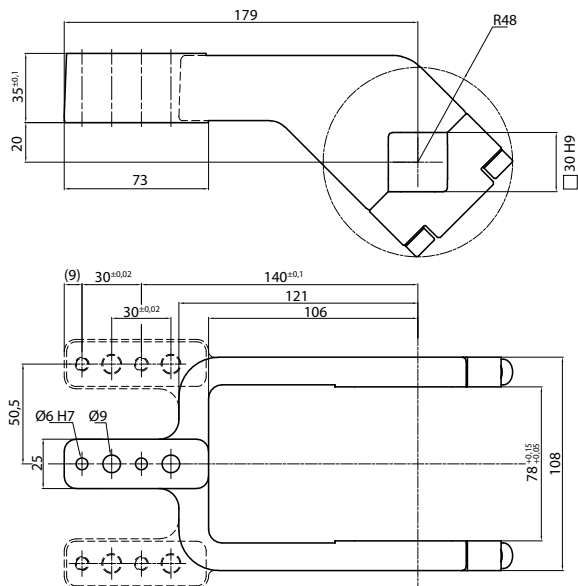


Air Consumption per Cycle

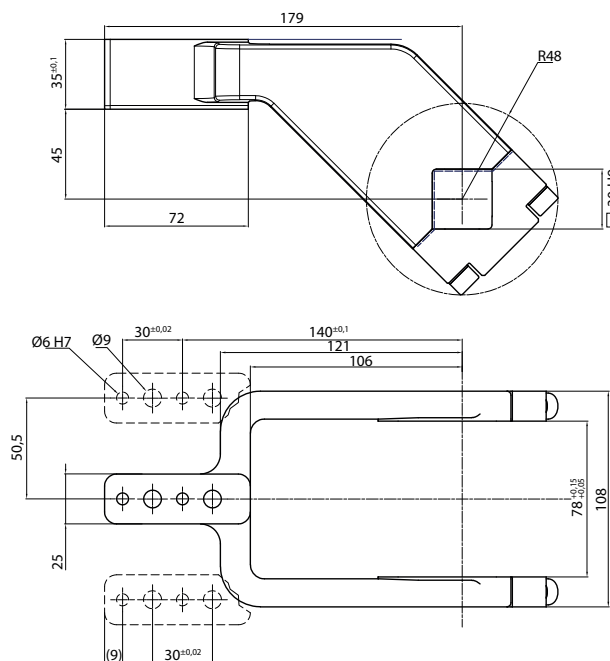


Clamping Arms

Arm Offset 20mm



Arm Offset 45mm



Armcode	Offset	Material	Arm style	Weight (Kg)	Opening angle (90°)	Opening angle (180°)
LKP80C	20	ALUMINIUM	CENTRAL	0,6	0±135°	0±105°
LKP80D	20	ALUMINIUM	RIGHT	0,6	0±135°	0±105°
LKP80S	20	ALUMINIUM	LEFT	0,6	0±135°	0±105°
UKP80CS	20	STEEL	CENTRAL	2,26	0±135°	0±105°
UKP80DS	20	STEEL	RIGHT	2,3	0±135°	0±105°
UKP80SS	20	STEEL	LEFT	2,3	0±135°	0±105°
UKP80E	45	ALUMINIUM	CENTRAL	0,6	0±135°	0±125°
UKP80F	45	ALUMINIUM	RIGHT	0,6	0±135°	0±125°
UKP80L	45	ALUMINIUM	LEFT	0,6	0±135°	0±125°
UKP80ES	45	STEEL	CENTRAL	2,2	0±135°	0±125°
UKP80FS	45	STEEL	RIGHT	2,2	0±135°	0±125°
UKP80LS	45	STEEL	LEFT	2,2	0±135°	0±125°

Sensors



Electronic (optical)

DF-K PNP M12
DF-J NPN M12
DF-Y PNP M12 White LED



Pneumatic

DF-UPNW80

Accessories



Handlever

UBF2580



Self holding system

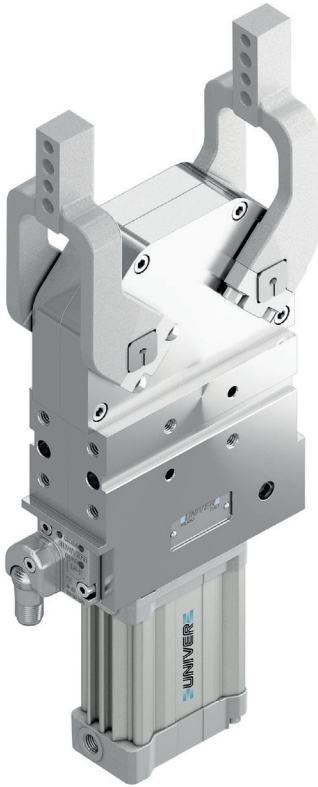
UBK46P30

UCDP 40

Pneumatic power clamps Ø40 mm with double arm

Pneumatic power clamps size Ø40mm with double arm, compensation system, toggle-joint mechanism and stepless adjustable opening angle, typically used for holding and positioning metal sheets or workpieces.

- Lightweight aluminium construction
- Compact dimensions
- Integrated compensation system up to 3 mm
- Fully optical electronic sensor
- Fixing pattern on 4 sides
- Clamping arm in aluminium or steel



2

CHARACTERISTICS

Operating temperature	5° ÷ 45° C
Min./Max. Operating pressure	0,4 / 0,6 MPa
Opening angle*	0° ÷ 180°
Bore Ø	40 mm
Clamping moment (0,5 MPa)	55 Nm
Weight (clamping arm not included)	2,7 Kg
Pneumatic supply ports	G1/8 on both sides
Sensor	electronic (optical)
Supply voltage	10 ÷ 30 Vdc
IP code	IP65

*The opening angle range may vary according to the arm position and style.

CODIFICATION KEY

UC	D	P	40	D	A	A	K	0	
1	2	3	4	5	6	7	8	9	10



COMPENSATION



LIGHTWEIGHT



IRREVERSIBLE



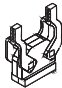
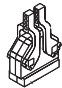

ANGLE ADJUSTMENT



OPTICAL SENSOR



COMPACT

- 1** SERIES
UC = UNICLAMP Power clamps
- 2** STANDARD
D = With double arm
- 3** VERSION
P = Pneumatic
- 4** SIZE
40 = Ø 40 mm
- 5** ARM POSITION
 - D = Double arm 
 - I = Double arm overturned (only 10mm offset) 
 - N = No arm 

- 6** ARM STYLE
 - A = Central, 10 mm offset
 - B = Right, 10 mm offset
 - G = Left, 10 mm offset
 - C = Central, 15 mm offset
 - D = Right, 15 mm offset
 - S = Left, 15 mm offset
 - E = Central, 45 mm offset
 - F = Right, 45 mm offset
 - L = Left, 45 mm offset
 - N = No arm

For other versions contact our Sales Dept.

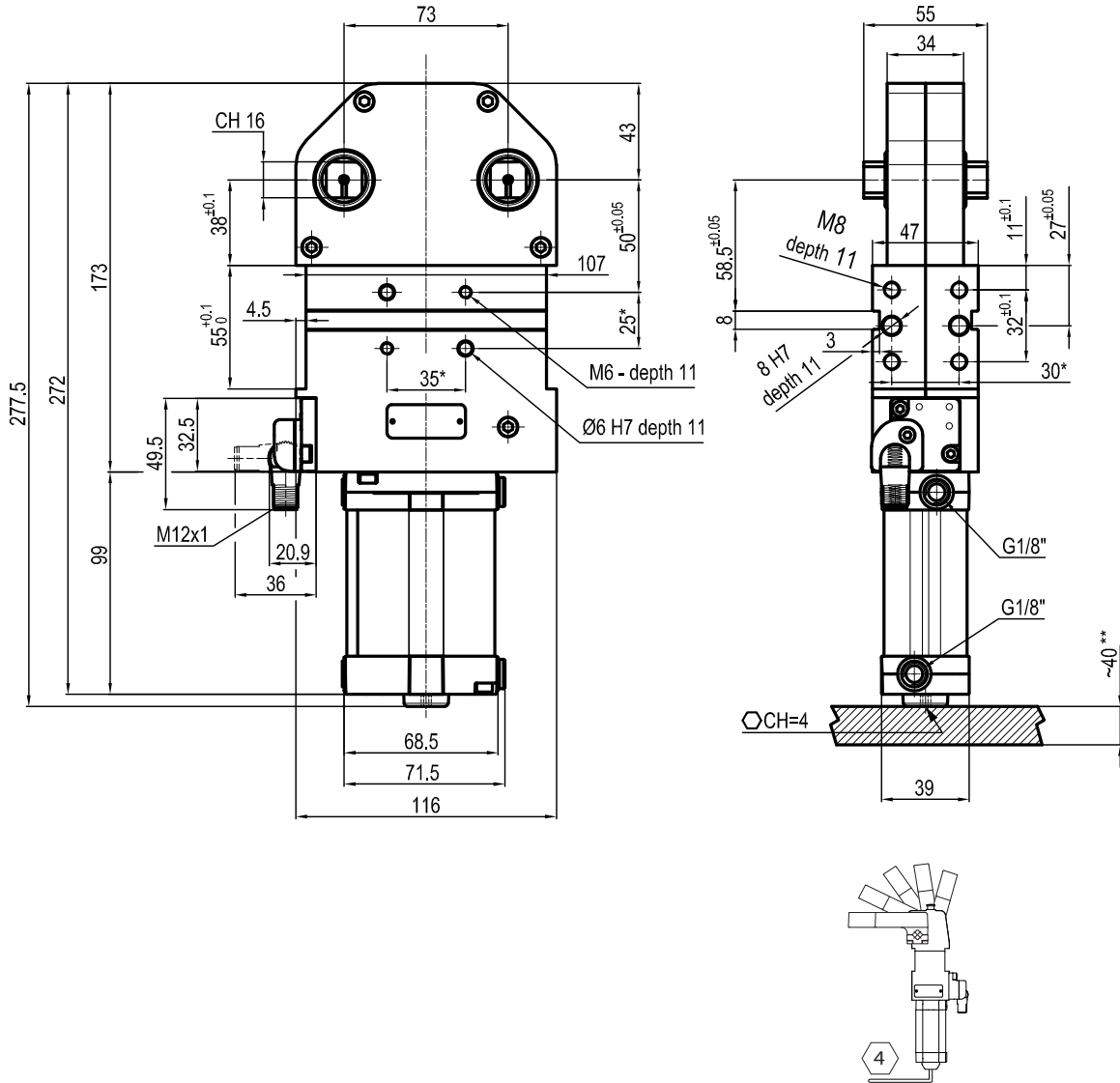
- 7** ARM TYPE
 - A = Aluminium
 - S = Steel
 - N = No arm

- 8** SENSOR
 - N = No sensor (with protection plate)
 - K = Electronic sensor PNP, M12 (DF-K)
 - J = Electronic sensor NPN, optical (DF-J)
 - Y = Electronic sensor PNP, M12 (DF-Y) white LED

- 9** PRODUCT REVISION
Assigned by UNIVER

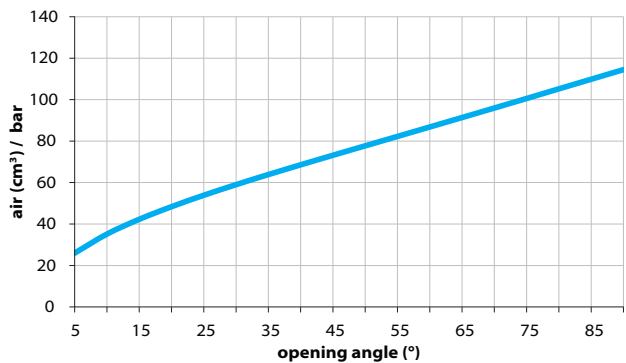
- 10** ATEX
 - X = ATEX option
 - See ATEX Catalogue for types and versions

2



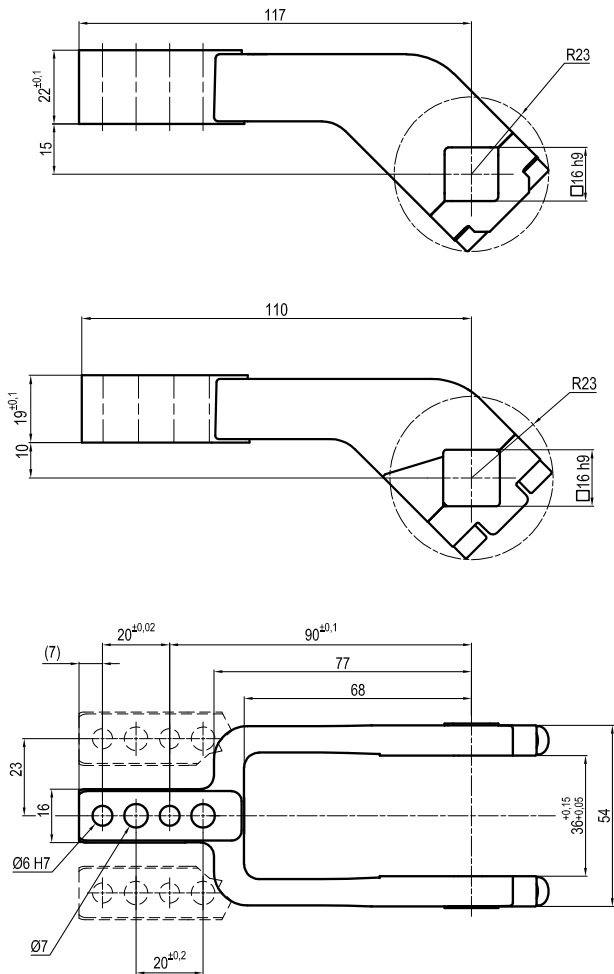
*TOLERANCE BETWEEN DOWELS $\pm 0,02$ BETWEEN SCREW HOLES $\pm 0,1$
 **AREA TO ACCESS ANGLE ADJUSTMENT

Air Consumption per Cycle

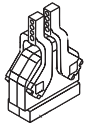
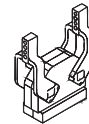
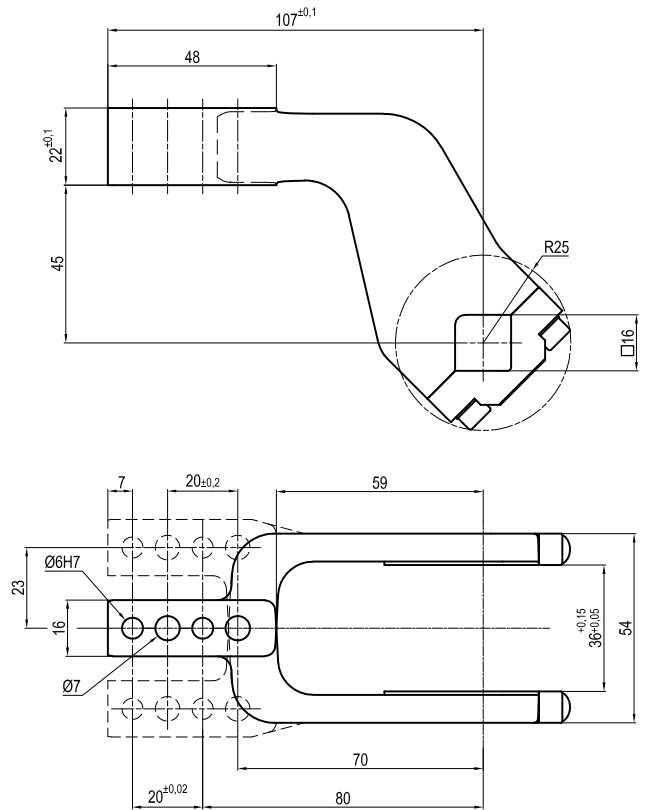


Clamping Arms

Arm Offset 10mm



Arm Offset 45mm



Armcode	Offset	Material	Arm style	Weight (Kg)	Opening angle	Opening angle
LKP40A	10	ALUMINIUM	CENTRAL	0,2	0÷180°	0÷180°
LKP40B	10	ALUMINIUM	RIGHT	0,2	0÷180°	0÷180°
LKP40G	10	ALUMINIUM	LEFT	0,2	0÷180°	0÷180°
LKP01CST	15	ALUMINIUM	CENTRAL	0,2	0÷180°	-
LKP01DST	15	ALUMINIUM	RIGHT	0,2	0÷180°	-
LKP01SST	15	ALUMINIUM	LEFT	0,2	0÷180°	-
IKP40E	45	ALUMINIUM	CENTRAL	0,3	0÷140°	-
IKP40F	45	ALUMINIUM	RIGHT	0,3	0÷140°	-
IKP40L	45	ALUMINIUM	LEFT	0,3	0÷140°	-

Sensors



Electronic (optical)

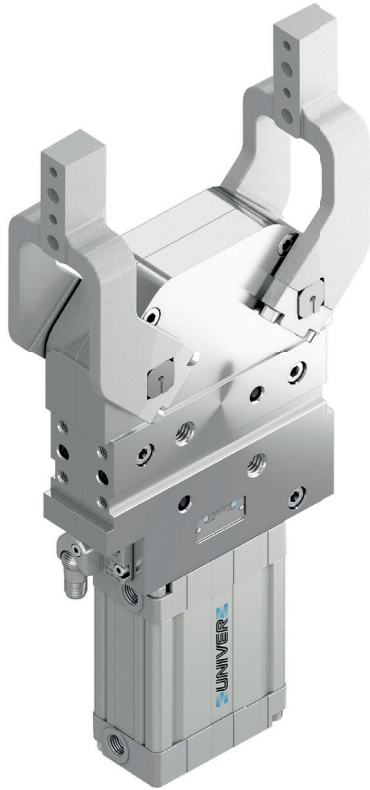
- DF-K PNP M12
- DF-J NPN M12
- DF-Y PNP M12 White LED

UCDP 63

Pneumatic power clamps Ø63 mm with double arm

Pneumatic power clamps size Ø63 mm with double arm, compensation system, toggle-joint mechanism and stepless adjustable opening angle, typically used for holding and positioning metal sheets or workpieces.

- Lightweight aluminium construction
- Compact dimensions
- Integrated compensation system
- Fully optical electronic sensor
- Fixing pattern on 4 sides
- Clamping arm in aluminium or steel



2

CHARACTERISTICS

Operating temperature	5° ÷ 45° C
Min./Max. Operating pressure	0,4 / 0,6 MPa
Opening angle*	0° ÷ 180°
Bore Ø	63 mm
Clamping moment (0,5 MPa)	130 Nm
Weight (clamping arm not included)	4,6 Kg
Pneumatic supply ports	G1/4 on both sides
Sensor	electronic (optical)
Supply voltage	10 ÷ 30 Vdc
IP code	IP65

*The opening angle range may vary according to the arm position and style.

CODIFICATION KEY

UC	D	P	63	D	C	A	K	0	
1	2	3	4	5	6	7	8	9	10



COMPENSATION



LIGHTWEIGHT



IRREVERSIBLE



ANGLE ADJUSTMENT



OPTICAL SENSOR



COMPACT

1

SERIES

UC = UNICLAMP Power clamps

2

STANDARD

D = With double arm

3

VERSION

P = Pneumatic

4

SIZE

63 = Ø 63 mm

5

ARM POSITION

D = Double arm



I = Double arm overturned (only 15mm offset)



N = No arm



6

ARM STYLE

C = Central, 15 mm offset

D = Right, 15 mm offset

S = Left, 15 mm offset

E = Central, 45 mm offset

F = Right, 45 mm offset

L = Left, 45 mm offset

N = No arm

For other versions contact our Sales Dept.

7

ARM TYPE

A = Aluminium

S = Steel

N = No arm

8

SENSOR

N = No sensor (with protection plate)

K = Electronic sensor PNP, M12 (DF-K)

J = Electronic sensor NPN, optical (DF-J)

Y = Electronic sensor PNP, M12 (DF-Y) white LED

9

PRODUCT REVISION

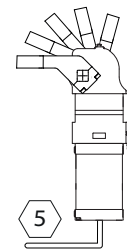
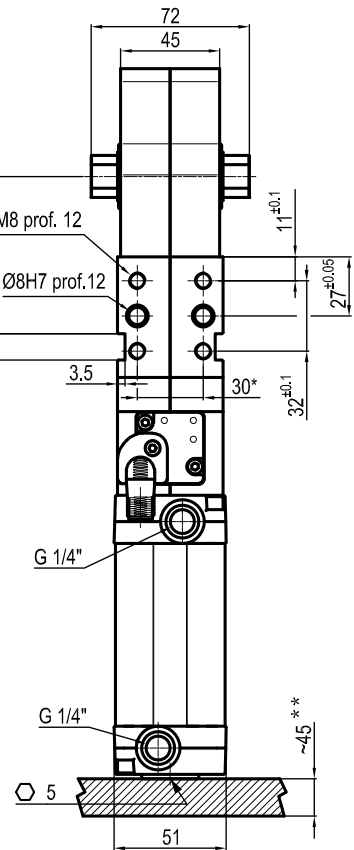
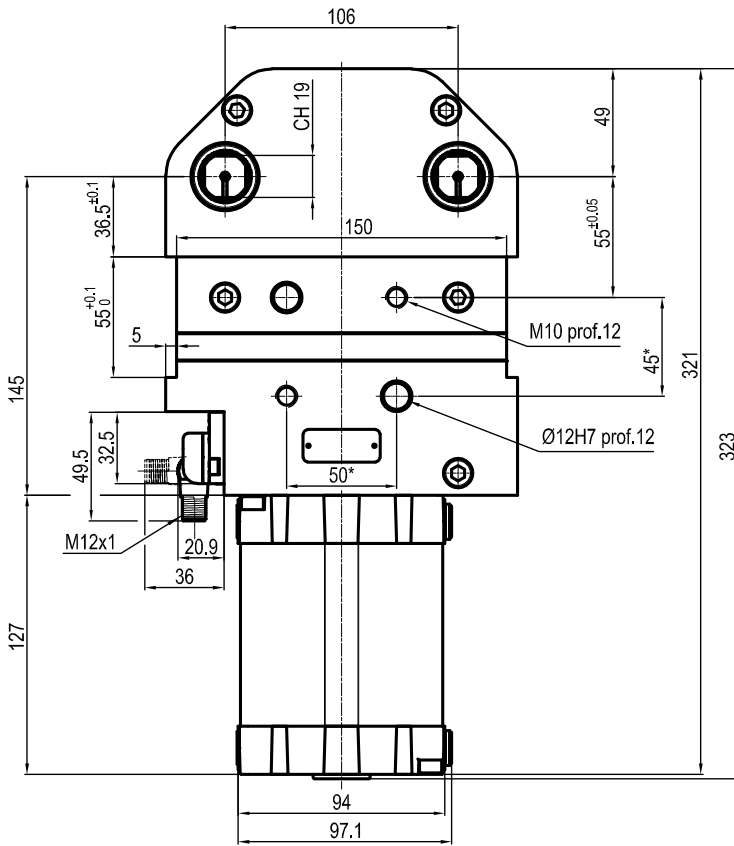
Assigned by UNIVER

10

ATEX

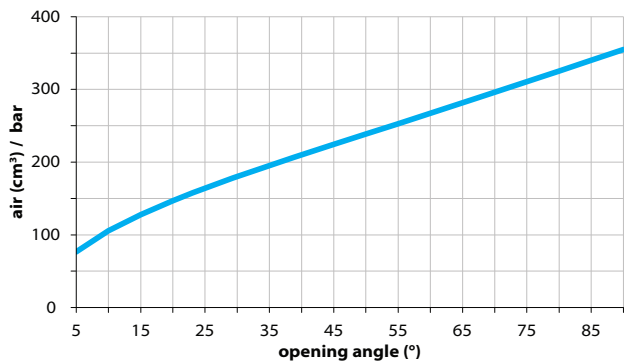
X = ATEX option

See ATEX Catalogue for types and versions



*TOLERANCE BETWEEN DOWELS ± 0,02 BETWEEN SCREW HOLES ± 0,1
 **AREA TO ACCESS ANGLE ADJUSTMENT

Air Consumption per Cycle

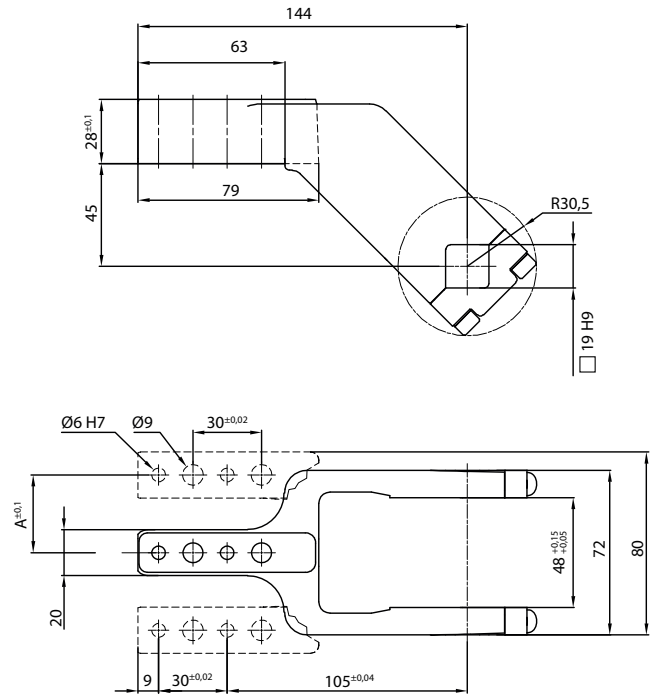
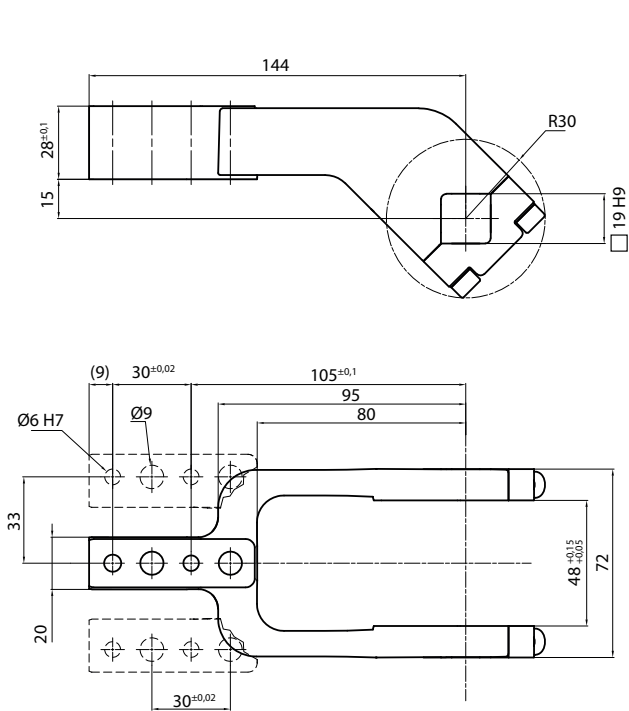


Clamping Arms

Arm Offset 15mm

Arm Offset 45mm

2



Armcode	Offset	Material	Arm style	Weight (Kg)	Opening angle	Opening angle
LKP00CL	15	ALUMINIUM	CENTRAL	0,4	0÷180°	0÷180°
LKP00DL	15	ALUMINIUM	RIGHT	0,4	0÷180°	0÷180°
LKP00SL	15	ALUMINIUM	LEFT	0,4	0÷180°	0÷180°
UP210151441G	15	STEEL	CENTRAL	0,8	0÷180°	0÷180°
UP210151442G	15	STEEL	RIGHT	0,8	0÷180°	0÷180°
UP210151443G	15	STEEL	LEFT	0,8	0÷180°	0÷180°
UKP5063E	45	ALUMINIUM	CENTRAL	0,45	0÷180°	-
UKP63F	45	ALUMINIUM	RIGHT	0,45	0÷180°	-
UKP63L	45	ALUMINIUM	LEFT	0,45	0÷180°	-
UKP5063ES	45	STEEL	CENTRAL	0,92	0÷180°	-
UKP63FS	45	STEEL	RIGHT	1,2	0÷180°	-
UKP63LS	45	STEEL	LEFT	1,2	0÷180°	-

Sensors



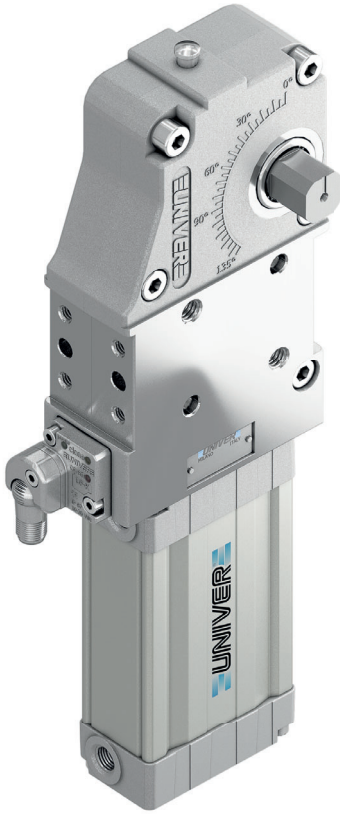
Electronic (optical)

- DF-K PNP M12
- DF-J NPN M12
- DF-Y PNP M12 White LED

UCNP 50

Pneumatic power clamps conforming to the NAAMS standard, Ø50 mm

Pneumatic power clamps size Ø50 mm, conforming to the NAAMS standard, with compensation system, toggle-joint mechanism and stepless adjustable opening angle, typically used for handling and holding metal sheets in welding applications



- Lightweight aluminium construction
- Compact dimensions
- Integrated compensation system up to 1,7 mm
- Version with manual hand lever available
- Fully optical electronic sensor or pneumatic sensor
- Fixing pattern on 4 sides
- Manual unlocking in case of air loss
- Drive shaft for wishbone or blade arms
- NPT or GAS connections
- Self-holding system for open position available

CHARACTERISTICS

Operating temperature	5° ÷ 45° C
Min./Max. operating pressure	0,4/0,6 Mpa
Opening angle*	0° ÷ 135°
Bore Ø	50 mm
Holding moment	1250 Nm
Clamping moment (0,5 MPa)	280 Nm
Weight (clamping arm not included)	2,7 Kg
Pneumatic supply ports	1/4 on both sides
Sensor	electronic (optical)
Supply voltage	10 ÷ 30 Vdc
IP code	IP65

*The opening angle range may vary according to the arm position and style.

CODIFICATION KEY

UC | N | P | 50 | N | N | K | G | 0 | |

1 2 3 4 5 6 7 8 9 10



COMPENSATION



LIGHTWEIGHT



IRREVERSIBLE



ANGLE ADJUSTMENT



OPTICAL SENSOR



COMPACT

1 SERIES
UC = UNICLAMP Power clamps

2 STANDARD
N = NAAMS Standard

3 VERSION
P = Pneumatic

4 SIZE
50 = Ø 50 mm

5 ARM POSITION

N = No arm



For clamping arms according to NAAMS standard, please contact our Sales Dept.

6 SQUARE SHAFT
R = Right side only
L = Left side only
N = Both sides

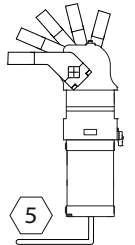
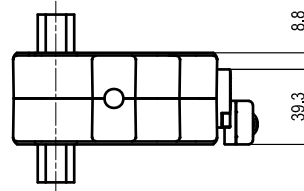
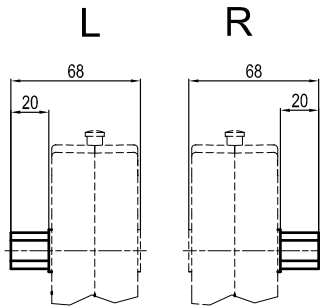
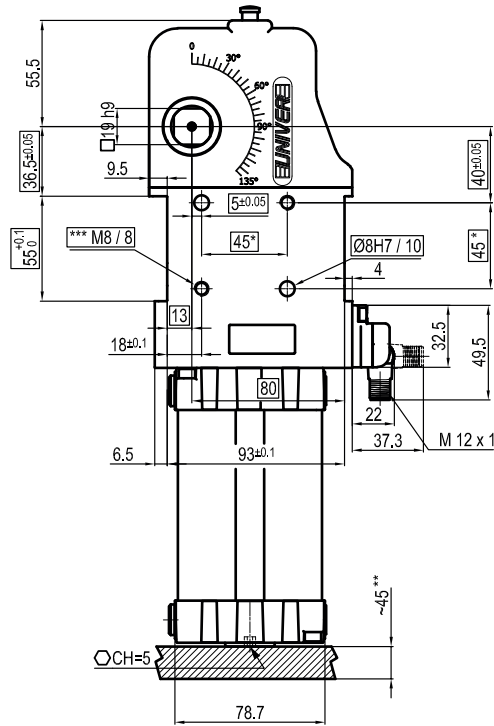
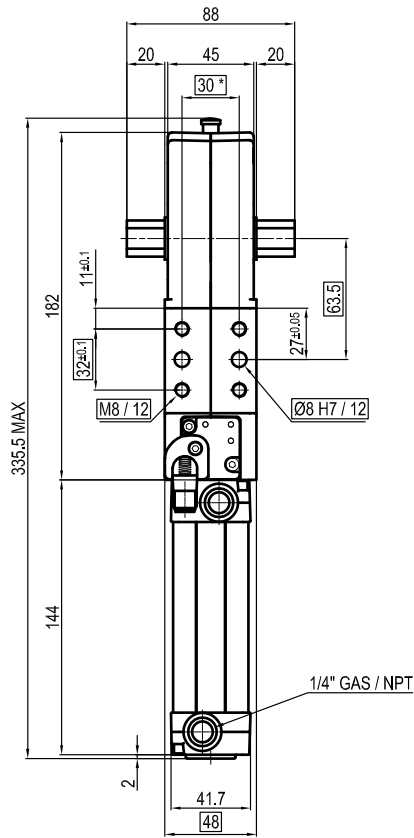
7 SENSOR
N = No sensor (with protection plate)
K = Electronic sensor PNP, M12 (DF-K)
D = Pneumatic sensor (DF-UPNW)
J = Electronic sensor NPN, optical (DF-J)
Y = Electronic sensor PNP, M12 (DF-Y) white LED

8 PORT THREAD
G = Gas
N = NPT

9 PRODUCT REVISION
Assigned by UNIVER

10 ATEX
X = ATEX option
See ATEX Catalogue for types and versions

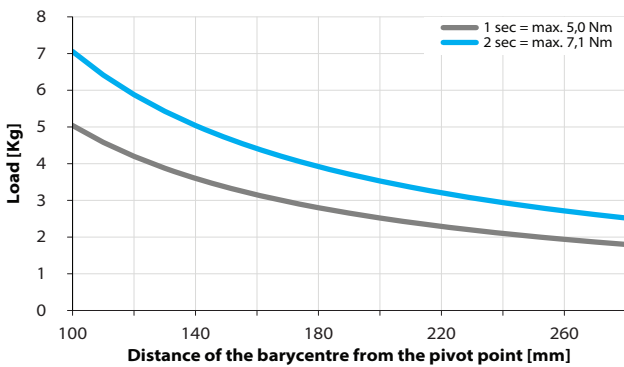
2



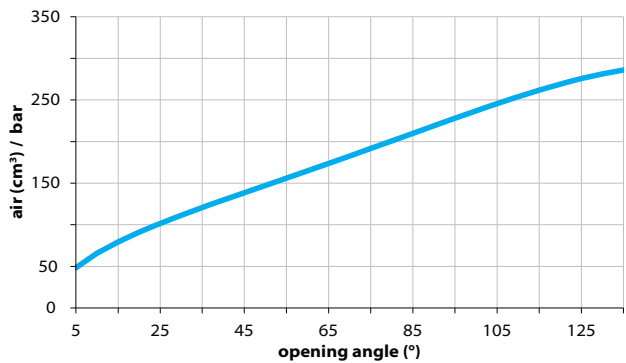
*TOLERANCE BETWEEN DOWELS $\pm 0,02$ BETWEEN SCREW HOLES $\pm 0,1$
 **AREA TO ACCESS ANGLE ADJUSTMENT
 ***SCREW THREAD INSERT

Maximum Applicable Load

Pressure: 5 bar - 90° cycle time (Open - Close)



Air Consumption per Cycle



Sensors



Electronic (optical)

DF-K PNP M12
DF-J NPN M12
DF-Y PNP M12 White LED



Pneumatic

DF-UPNW

Accessories



Self holding system

UBK46P19N For blade arms
UBK46P19ND For wishbone arms

UCNP 63

Pneumatic power clamps conforming to the NAAMS standard, Ø63 mm

Pneumatic power clamps size Ø63 mm conforming to the NAAMS standard with compensation system, toggle-joint mechanism and stepless adjustable opening angle, typically used for handling and holding metal sheets in welding applications

- Lightweight aluminium construction
- Compact dimensions
- Integrated compensation system up to 2,7 mm
- Version with manual hand lever available
- Fully optical electronic sensor or pneumatic sensor
- Fixing pattern on 4 sides
- Manual unlocking in case of air loss
- Drive shaft for wishbone or blade arms
- NPT or GAS connections
- Self-holding system for open position available

CHARACTERISTICS

Operating temperature	5° ÷ 45° C
Min./Max. operating pressure	0,4/0,6 Mpa
Opening angle*	0° ÷ 135°
Bore Ø	63 mm
Holding moment	1750 Nm
Clamping moment (0,5 MPa)	420 Nm
Weight (clamping arm not included)	3,1 Kg
Pneumatic supply ports	1/4 on both sides
Sensor	electronic (optical)
Supply voltage	10 ÷ 30 Vdc
IP code	IP65

*The opening angle range may vary according to the arm position and style.



CODIFICATION KEY

UC	N	P	63	N	N	K	G	0	
1	2	3	4	5	6	7	8	9	10



COMPENSATION



LIGHTWEIGHT



IRREVERSIBLE



ANGLE ADJUSTMENT



OPTICAL SENSOR



COMPACT

1 SERIES
UC = UNICLAMP Power clamps

2 STANDARD
N = NAAMS Standard

3 VERSION
P = Pneumatic

4 SIZE
63 = Ø 63 mm

5 ARM POSITION
N = No arm



For clamping arms according to NAAMS standard, please contact our Sales Dept.

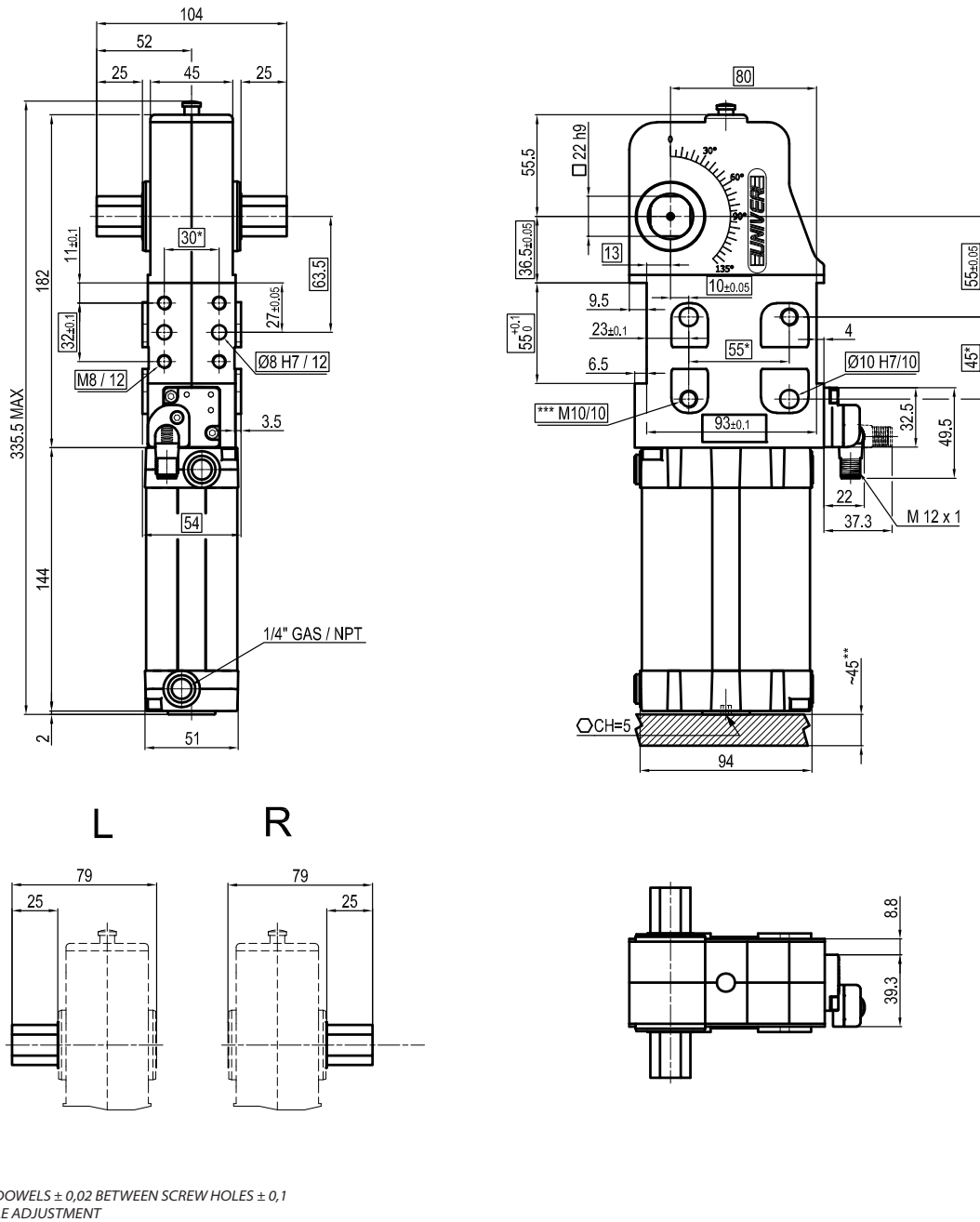
6 SQUARE SHAFT
R = Right side only
L = Left side only
N = Both sides

7 SENSOR
N = No sensor (with protection plate)
K = Electronic sensor PNP, M12 (DF-K)
D = Pneumatic sensor (DF-UPNW)
J = Electronic sensor NPN, optical (DF-J)
Y = Electronic sensor PNP, M12 (DF-Y) white LED

8 PORT THREAD
G = Gas
N = NPT

9 PRODUCT REVISION
Assigned by UNIVER

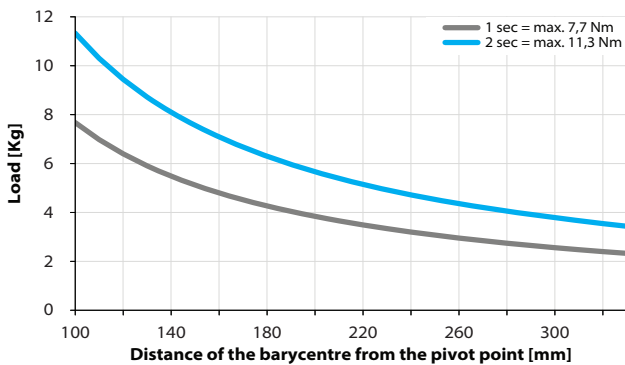
10 ATEX
X = ATEX option
See ATEX Catalogue for types and versions



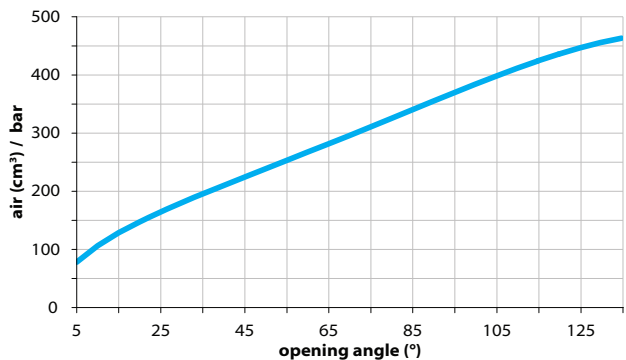
*TOLERANCE BETWEEN DOWELS ± 0,02 BETWEEN SCREW HOLES ± 0,1
 **AREA TO ACCESS ANGLE ADJUSTMENT
 ***SCREW THREAD INSERT

Maximum Applicable Load

Pressure: 5 bar - 90° cycle time (Open - Close)



Air Consumption per Cycle



Sensors



Electronic (optical)

DF-K PNP M12
DF-J NPN M12
DF-Y PNP M12 White LED



Pneumatic

DF-UPNW

Accessories



Self holding system

UBK46P22N For blade arms
UBK46P22ND For wishbone arms

UCNP 80

Pneumatic power clamps conforming to the NAAMS standard, Ø80 mm
 Pneumatic power clamps size Ø80 mm conforming to the NAAMS standard with compensation system, toggle-joint mechanism and stepless adjustable opening angle, typically used for handling and holding metal sheets in welding applications



- Lightweight aluminium construction
- Integrated compensation system up to 2,9 mm
- Version with manual hand lever available
- Fully optical electronic sensor or pneumatic sensor
- Fixing pattern on 4 sides
- Manual unlocking in case of air loss
- Drive shaft for wishbone or blade arms
- NPT or GAS connections
- Self-holding system for open position available

2

CHARACTERISTICS

Operating temperature	5° ÷ 45° C
Min./Max. operating pressure	0,4/0,6 Mpa
Opening angle*	0° ÷ 135°
Bore Ø	80 mm
Holding moment	4000 Nm
Clamping moment (0,5 MPa)	1100 Nm
Weight (clamping arm not included)	8,6 Kg
Pneumatic supply ports	1/4 on both sides
Sensor	electronic (optical)
Supply voltage	10 ÷ 30 Vdc
IP code	IP65

*The opening angle range may vary according to the arm position and style.



CODIFICATION KEY

UC | N | P | 80 | N | N | K | G | 0 | |
 1 | 2 | 3 | 4 | 5 | 6 | 7 | 8 | 9 | 10



COMPENSATION



LIGHTWEIGHT



IRREVERSIBLE



ANGLE ADJUSTMENT



OPTICAL SENSOR

1

SERIES
 UC = UNICLAMP Power clamps

2

STANDARD
 N = NAAMS Standard

3

VERSION
 P = Pneumatic

4

SIZE
 80 = Ø 80 mm

5

ARM POSITION

N = No arm 

For clamping arms according to NAAMS standard, please contact our Sales Dept.

6

SQUARE SHAFT
 R = Right side only
 L = Left side only
 N = Both sides

7

SENSOR
 N = No sensor (with protection plate)
 K = Electronic sensor PNP, M12 (DF-K)
 D = Pneumatic sensor (DF-UPNW80)
 J = Electronic sensor NPN, optical (DF-J)
 Y = Electronic sensor PNP, M12 (DF-Y) white LED

8

PORT THREAD
 G = Gas
 N = NPT

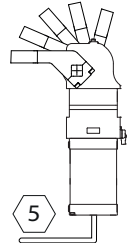
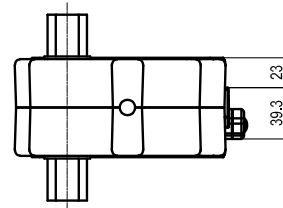
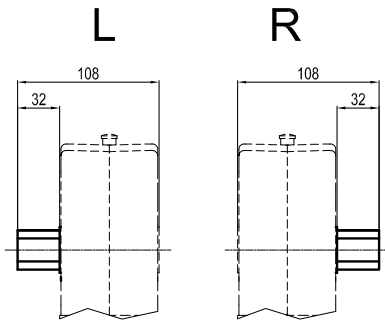
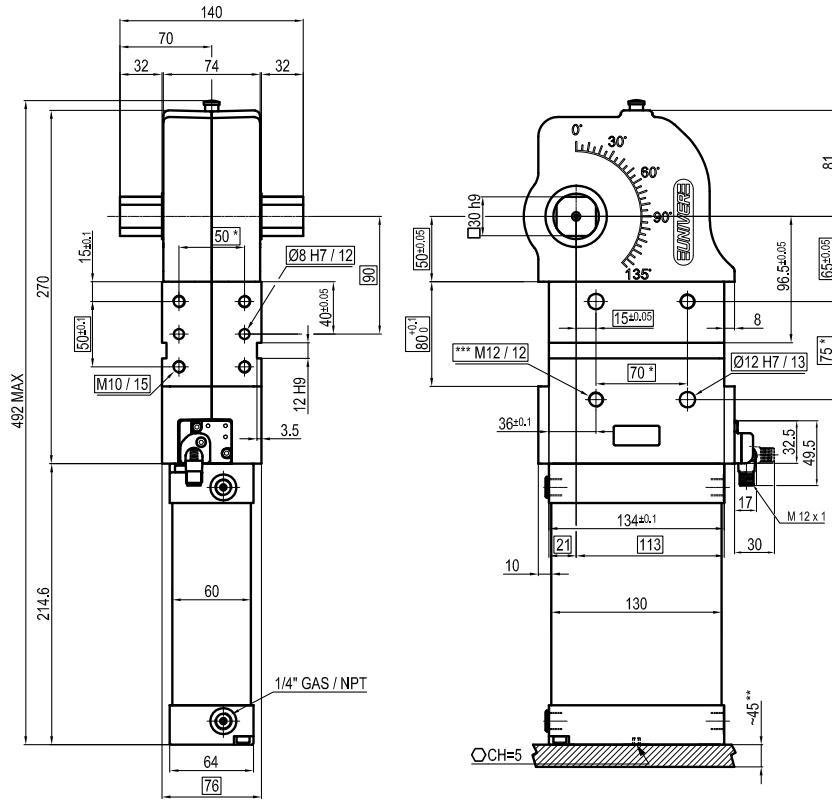
9

PRODUCT REVISION
 Assigned by UNIVER

10

ATEX
 X = ATEX option
 See ATEX Catalogue for types and versions

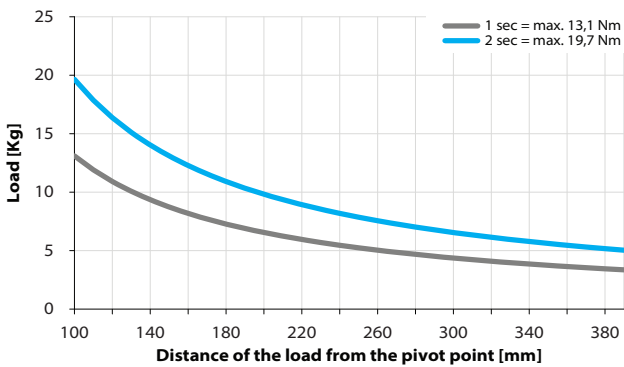
2



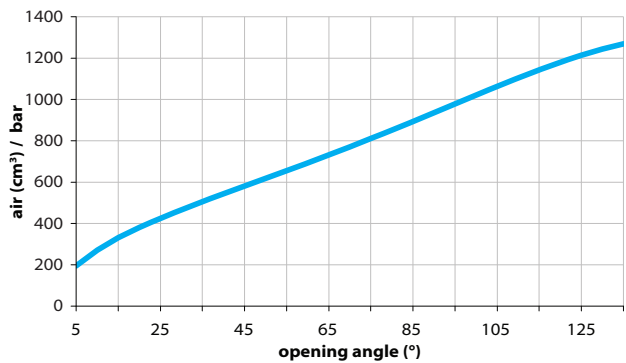
**TOLERANCE BETWEEN DOWELS ± 0,02 BETWEEN SCREW HOLES ± 0,1
 **AREA TO ACCESS ANGLE ADJUSTMENT
 ***SCREW THREAD INSERT

Maximum Applicable Load

Pressure: 5 bar - 90° cycle time (Open - Close)



Air Consumption per Cycle



Sensors



Electronic (optical)

DF-K PNP M12
DF-J NPN M12
DF-Y PNP M12 White LED



Pneumatic

DF-UPNW80

Accessories



Self holding system

UBK46P30N For blade arms
UBK46P30ND For wishbone arms

UCNM 50

Pneumatic power clamps conforming to the NAAMS standard, Ø50 mm with hand lever

Pneumatic power clamps size Ø50 mm, conforming to the NAAMS standard with hand lever, compensation system, toggle-joint mechanism and stepless adjustable opening angle, typically used for handling and holding metal sheets in welding applications

- Lightweight aluminium construction and compact dimensions
- Integrated compensation system up to 1,7 mm
- Hand lever mount on both sides
- Fully optical electronic sensor or pneumatic sensor
- Fixing pattern on 4 sides
- Manual unlocking in case of air loss
- Drive shaft for wishbone or blade arms
- NPT or GAS connections
- Self-holding system for open position available

CHARACTERISTICS

Operating temperature	5° ÷ 45° C
Min./Max. operating pressure	0,4/0,6 Mpa
Opening angle*	0° ÷ 135°
Bore Ø	50 mm
Holding moment	1250 Nm
Clamping moment (0,5 MPa)	280 Nm
Weight (clamping arm not included)	3,4 Kg
Pneumatic supply ports	1/4 on both sides
Sensor	electronic (optical)
Supply voltage	10 ÷ 30 Vdc
IP code	IP65

*The opening angle range may vary according to the arm position and style.



CODIFICATION KEY

UC	N	M	50	N	N	K	G	0	
1	2	3	4	5	6	7	8	9	10



COMPENSATION



LIGHTWEIGHT



IRREVERSIBLE



ANGLE ADJUSTMENT



OPTICAL SENSOR



COMPACT

1

SERIES
UC = UNICLAMP Power clamps

2

STANDARD
N = NAAMS Standard

3

VERSION
M = Pneumatic with hand lever

4

SIZE
50 = Ø 50 mm

5

ARM POSITION

N = No arm



For clamping arms according to NAAMS standard, please contact our Sales Dept.

6

SQUARE SHAFT
R = Right side only
L = Left side only
N = Both sides

7

SENSOR
N = No sensor (with protection plate)
K = Electronic sensor PNP, M12 (DF-K)
D = Pneumatic sensor (DF-UPNW)
J = Electronic sensor NPN, optical (DF-J)
Y = Electronic sensor PNP, M12 (DF-Y) white LED

8

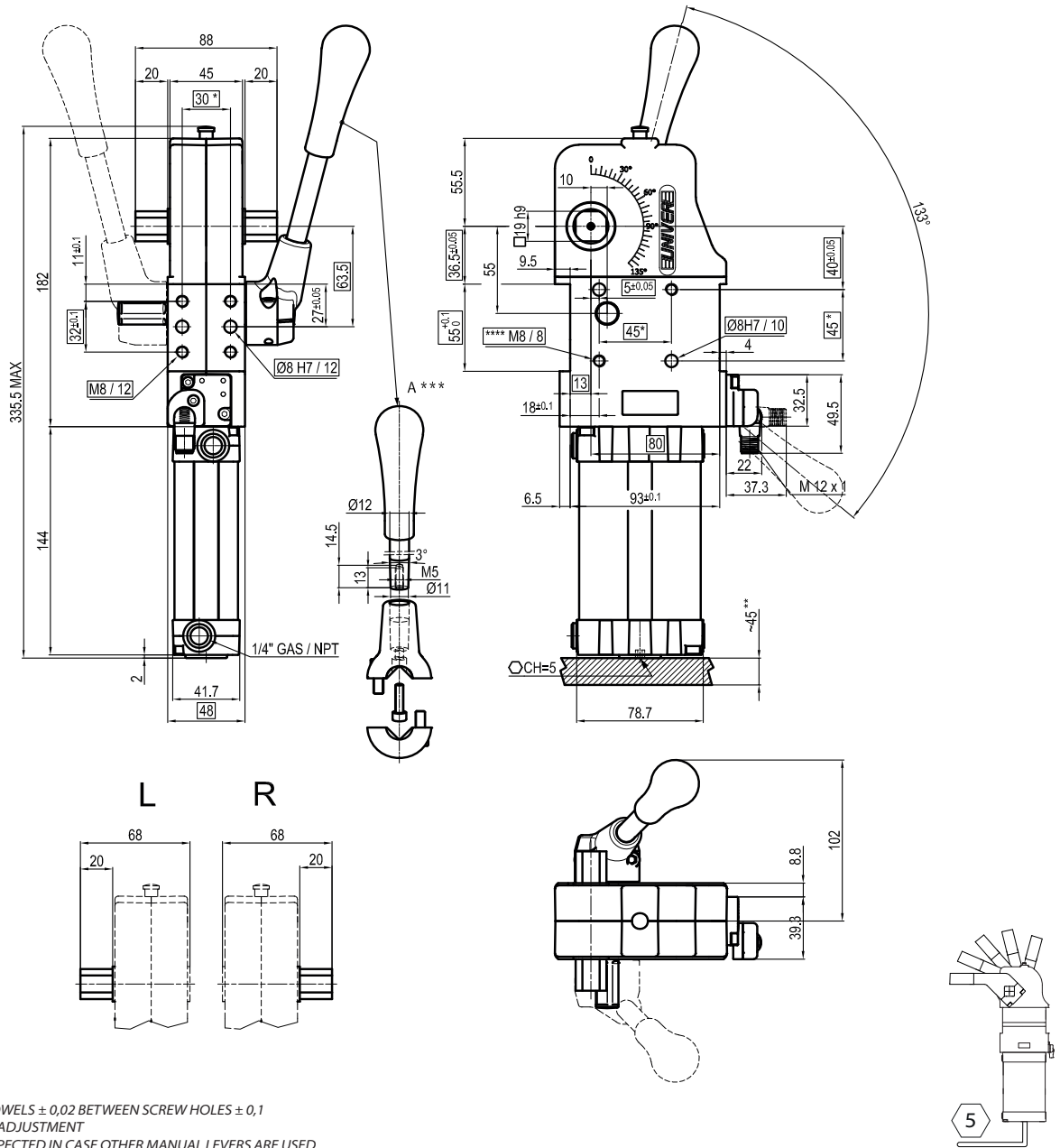
PORT THREAD
G = Gas
N = NPT

9

PRODUCT REVISION
Assigned by UNIVER

10

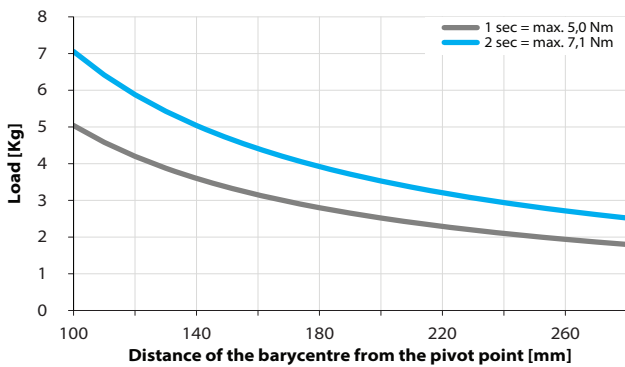
ATEX
X = ATEX option
See ATEX Catalogue for types and versions



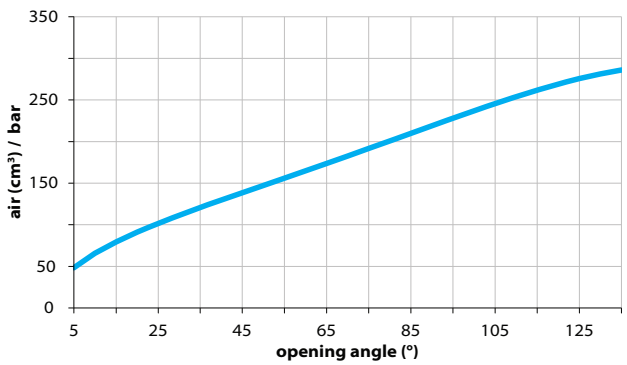
*TOLERANCE BETWEEN DOWELS ± 0,02 BETWEEN SCREW HOLES ± 0,1
 **AREA TO ACCESS ANGLE ADJUSTMENT
 ***DIMENSIONS TO BE RESPECTED IN CASE OTHER MANUAL LEVERS ARE USED
 ****SCREW THREAD INSERT

Maximum Applicable Load

Pressure: 5 bar - 90° cycle time (Open - Close)



Air Consumption per Cycle



Sensors



Electronic (optical)

DF-K PNP M12
DF-J NPN M12
DF-Y PNP M12 White LED



Pneumatic

DF-UPNW80

Accessories



Handlever

UBF255063



Self holding system

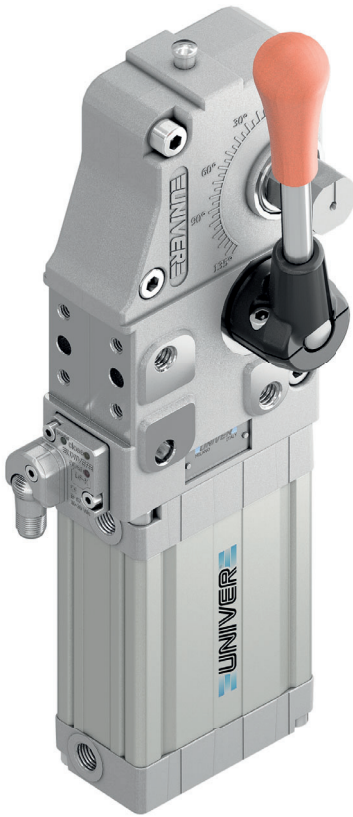
UBK46P19N For blade arms
UBK46P19ND For wishbone arms

2

UCNM 63

Pneumatic power clamps conforming to the NAAMS standard, Ø63 mm with hand lever

Pneumatic power clamps size Ø63 mm, conforming to the NAAMS standard with hand lever, compensation system, toggle-joint mechanism and stepless adjustable opening angle, typically used for handling and holding metal sheets in welding applications



- Lightweight aluminium construction and compact dimensions
- Integrated compensation system up to 2,7 mm
- Hand lever mount on both sides
- Fully optical electronic sensor or pneumatic sensor
- Fixing pattern on 4 sides
- Manual unlocking in case of air loss
- Drive shaft for wishbone or blade arms
- NPT or GAS connections
- Self-holding system for open position available

CHARACTERISTICS

Operating temperature	5° ÷ 45° C
Min./Max. operating pressure	0,4/0,6 Mpa
Opening angle*	0° ÷ 135°
Bore Ø	63 mm
Holding moment	1750 Nm
Clamping moment (0,5 MPa)	420 Nm
Weight (clamping arm not included)	3,8 Kg
Pneumatic supply ports	G1/4 on both sides
Sensor	electronic (optical)
Supply voltage	10 ÷ 30 Vdc
IP code	IP65

*The opening angle range may vary according to the arm position and style.



CODIFICATION KEY



COMPENSATION



LIGHTWEIGHT



IRREVERSIBLE




ANGLE ADJUSTMENT



OPTICAL SENSOR

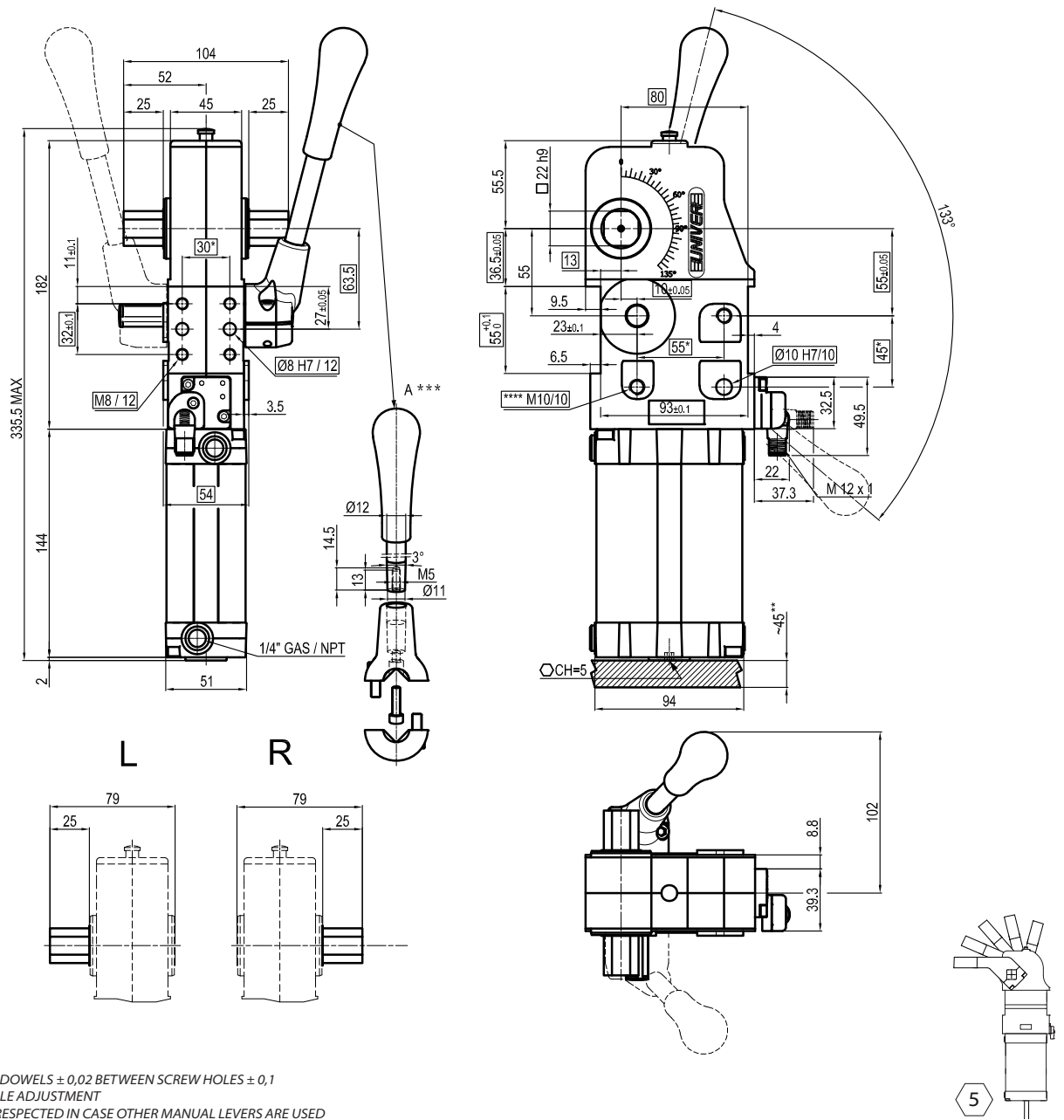


COMPACT

- 1 SERIES
UC = UNICLAMP Power clamps
- 2 STANDARD
N = NAAMS Standard
- 3 VERSION
M = Pneumatic with hand lever
- 4 SIZE
63 = Ø 63 mm
- 5 ARM POSITION
N = No arm 
For clamping arms according to NAAMS standard, please contact our Sales Dept.

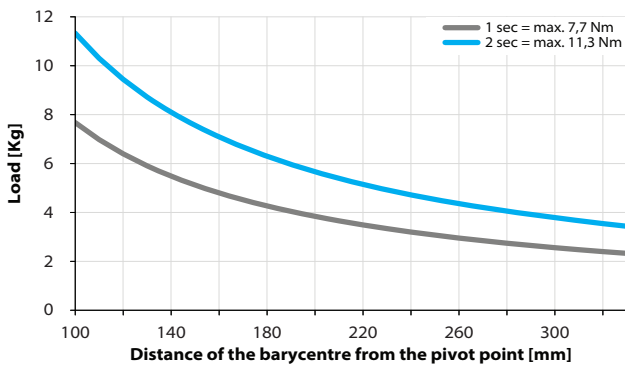
- 6 SQUARE SHAFT
R = Right side only
L = Left side only
N = Both sides
- 7 SENSOR
N = No sensor (with protection plate)
K = Electronic sensor PNP, M12 (DF-K)
D = Pneumatic sensor (DF-UPNW)
J = Electronic sensor NPN, optical (DF-J)
Y = Electronic sensor PNP, M12 (DF-Y) white LED
- 8 PORT THREAD
G = Gas
N = NPT
- 9 PRODUCT REVISION
Assigned by UNIVER
- 10 ATEX
X = ATEX option
See ATEX Catalogue for types and versions

2

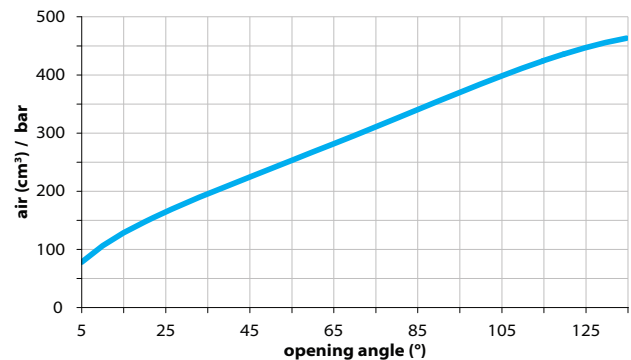


Maximum Applicable Load

Pressure: 5 bar - 90° cycle time (Open - Close)



Air Consumption per Cycle



Sensors



Electronic (optical)

DF-K PNP M12
DF-J NPN M12
DF-Y PNP M12 White LED



Pneumatic

DF-UPNW

Accessories



Handlever

UBF255063



Self holding system

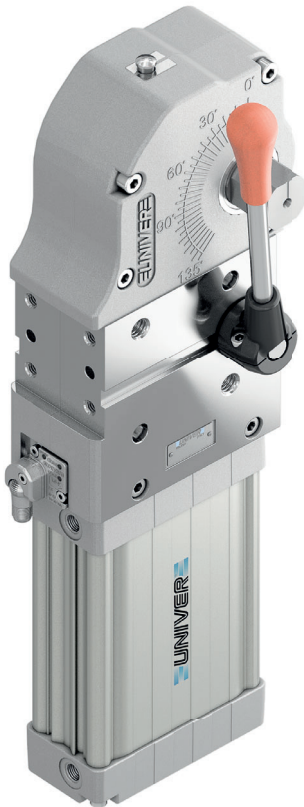
UBK46P22N For blade arms
UBK46P22ND For wishbone arms

UCNM 80

Pneumatic power clamps conforming to the NAAMS standard, Ø80 mm with hand lever

Pneumatic power clamps size Ø80 mm, conforming to the NAAMS standard with hand lever, compensation system, toggle-joint mechanism and stepless adjustable opening angle, typically used for handling and holding metal sheets in welding applications

2



- Lightweight aluminium construction
- Integrated compensation system up to 2,9 mm
- Hand lever mount on both sides
- Fully optical electronic sensor or pneumatic sensor
- Fixing pattern on 4 sides
- Manual unlocking in case of air loss
- Drive shaft for wishbone or blade arms
- NPT or GAS connections
- Self-holding system for open position available

CHARACTERISTICS

Operating temperature	5° ÷ 45° C
Min./Max. operating pressure	0,4/0,6 Mpa
Opening angle*	0° ÷ 135°
Bore Ø	80 mm
Holding moment	4000 Nm
Clamping moment (0,5 MPa)	1100 Nm
Weight (clamping arm not included)	9,5 Kg
Pneumatic supply ports	G1/4 on both sides
Sensor	electronic (optical)
Supply voltage	10 ÷ 30 Vdc
IP code	IP65

*The opening angle range may vary according to the arm position and style.



CODIFICATION KEY

UC | N | M | 80 | N | N | K | G | 0 | |

1 2 3 4 5 6 7 8 9 10



COMPENSATION



LIGHTWEIGHT



IRREVERSIBLE



ANGLE ADJUSTMENT



OPTICAL SENSOR

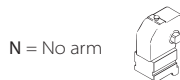
1 SERIES
UC = UNICLAMP Power clamps

2 STANDARD
N = NAAMS Standard

3 VERSION
M = Pneumatic with hand lever

4 SIZE
80 = Ø 80 mm

5 ARM POSITION



N = No arm
For clamping arms according to NAAMS standard, please contact our Sales Dept.

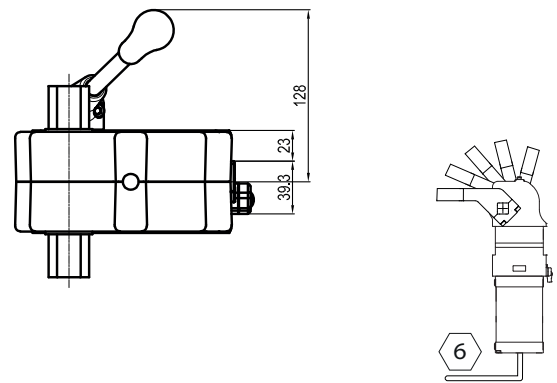
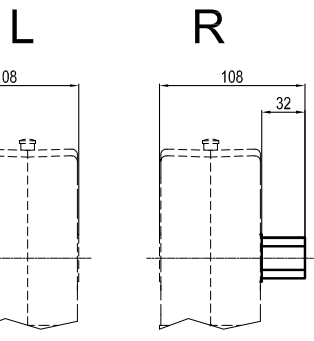
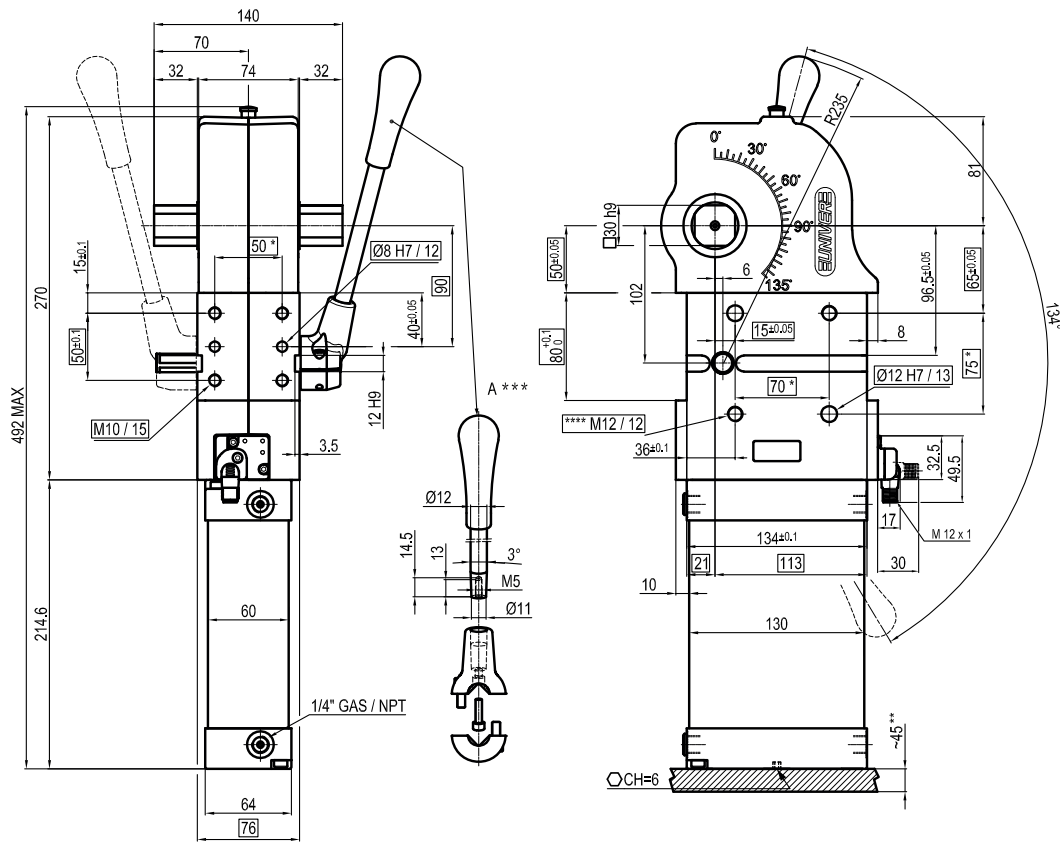
6 SQUARE SHAFT
R = Right side only
L = Left side only
N = Both sides

7 SENSOR
N = No sensor (with protection plate)
K = Electronic sensor PNP, M12 (DF-K)
D = Pneumatic sensor (DF-UPNW80)
J = Electronic sensor NPN, optical (DF-J)
Y = Electronic sensor PNP, M12 (DF-Y) white LED

8 PORT THREAD
G = Gas
N = NPT

9 PRODUCT REVISION
Assigned by UNIVER

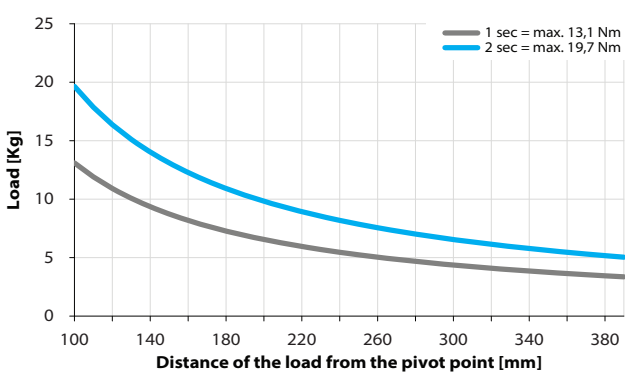
10 ATEX
X = ATEX option
See ATEX Catalogue for types and versions



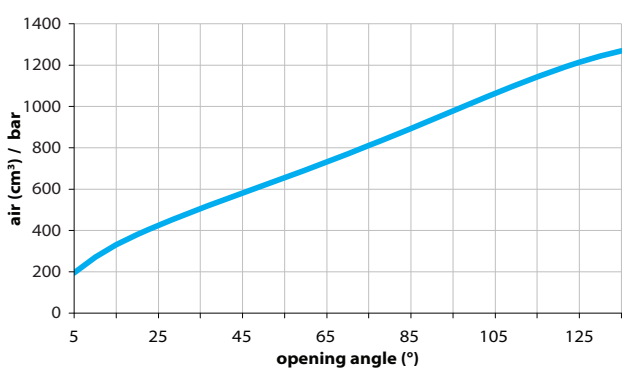
*TOLERANCE BETWEEN DOWELS ± 0,02 BETWEEN SCREW HOLES ± 0,1
 **AREA TO ACCESS ANGLE ADJUSTMENT
 ***DIMENSIONS TO BE RESPECTED IN CASE OTHER MANUAL LEVERS ARE USED

Maximum Applicable Load

Pressure: 5 bar - 90° cycle time (Open - Close)



Air Consumption per Cycle



Sensors



Electronic (optical)

DF-K PNP M12
DF-J NPN M12
DF-Y PNP M12 White LED



Pneumatic

DF-UPNW80

Accessories



Handlever

UBF2580



Self holding system

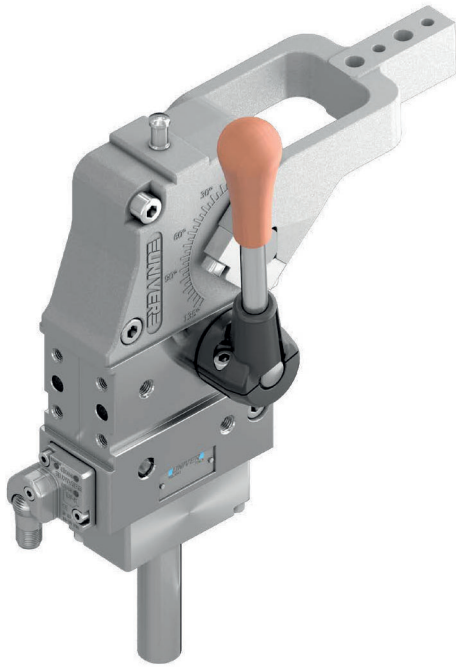
UBK46P30N For blade arms
UBK46P30ND For wishbone arms

UCBL 450

Manual power clamps $\varnothing 50$ mm

Manual power clamps size $\varnothing 50$ mm with compensation system, toggle-joint mechanism and stepless adjustable opening angle, typically used for handling and holding metal sheets in welding applications

- Lightweight aluminium construction
- Integrated compensation system up to 1,7 mm
- Hand lever mount on both sides
- Fully optical electronic sensor or pneumatic sensor
- Fixing pattern on 4 sides
- Manual unlocking
- Integrated self-holding system for open position
- Clamping arm in aluminium or steel



2

CHARACTERISTICS

Operating temperature	5° ÷ 45° C
Opening angle*	0° ÷ 135°
Bore \varnothing	50 mm
Holding moment	1750 Nm
Clamping moment (0,5 MPa)	420 Nm
Weight (clamping arm not included)	2,8 Kg
Sensor	electronic (optical)
Supply voltage	10 ÷ 30 Vdc
IP code	IP65

*The opening angle range may vary according to the arm position and style.

CODIFICATION KEY



COMPENSATION



LIGHTWEIGHT



IRREVERSIBLE

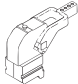
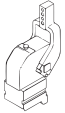



ANGLE ADJUSTMENT

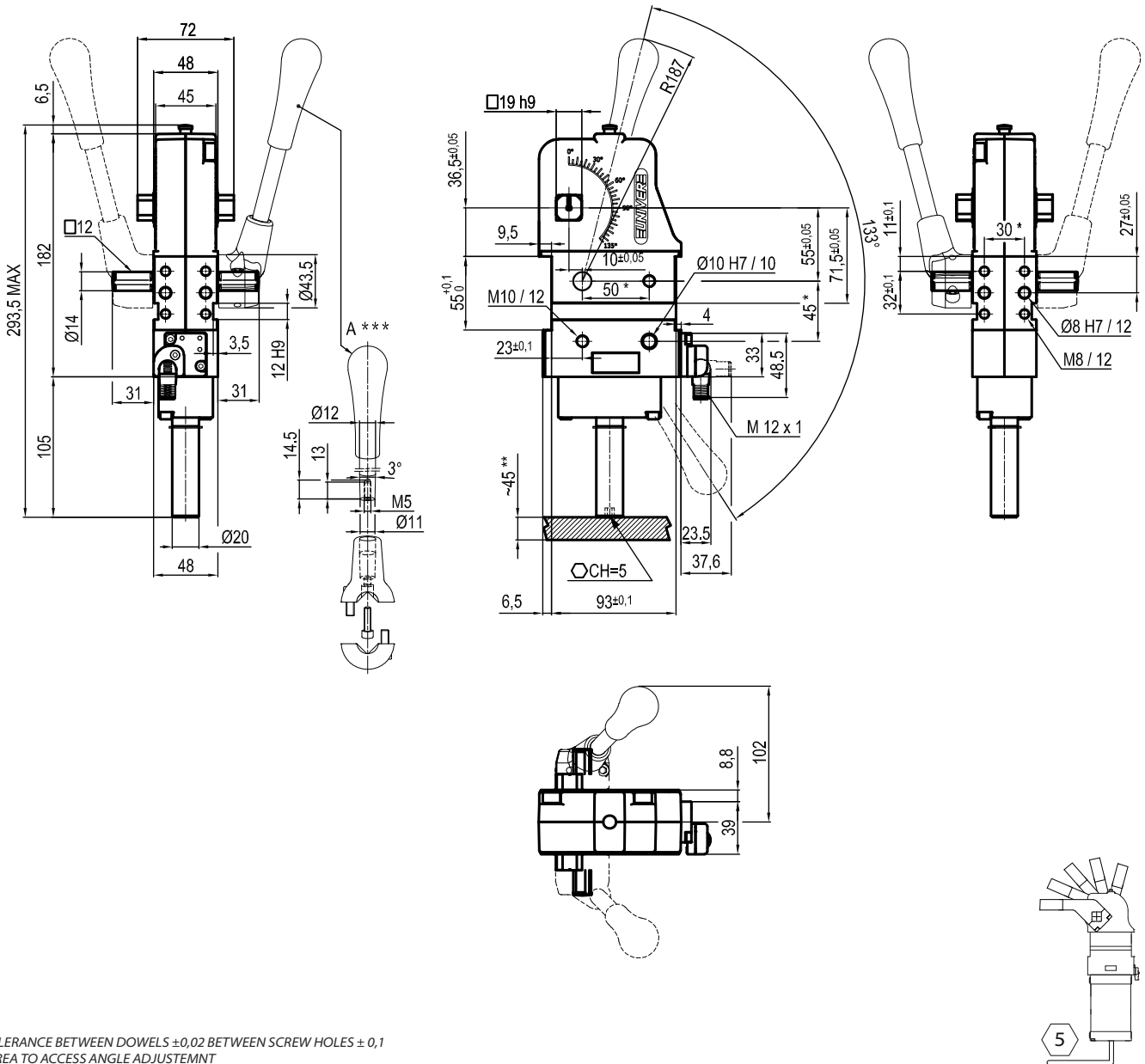


OPTICAL SENSOR

UC | B | L | 4 | 50 | V | E | A | K | 0 | |

1	SERIES UC = UNICLAMP Power clamps	7	ARM STYLE C = Central, 15 mm offset D = Right, 15 mm offset S = Left, 15 mm offset E = Central, 45 mm offset F = Right, 45 mm offset L = Left, 45 mm offset N = No arm For other versions contact our Sales Dept.
2	STANDARD B = European standard	8	ARM TYPE A = Aluminium S = Steel N = No arm
3	VERSION L = Manual power clamp with hand lever	9	SENSOR N = No sensor (with protection plate) K = Electronic sensor PNP, M12 (DF-K) D = Pneumatic sensor (DF-UPNW) J = Electronic sensor NPN, optical (DF-J) Y = Electronic sensor PNP, M12 (DF-Y) white LED
4	FIXING 4 = On 4 sides	10	PRODUCT REVISION Assigned by UNIVER
5	SIZE 50 = $\varnothing 50$ mm	11	ATEX X = ATEX option See ATEX Catalogue for types and versions
6	ARM POSITION V = 90°  O = 180°  N = No arm 		

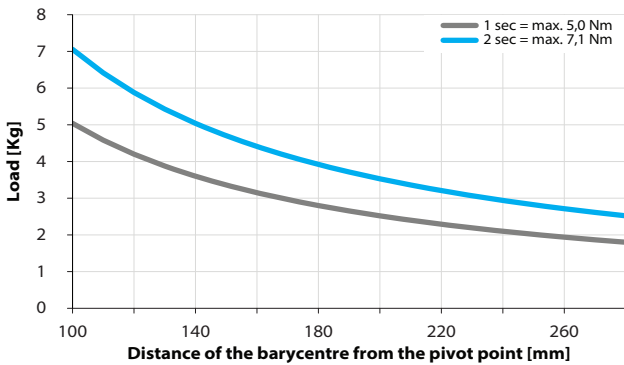
2



*TOLERANCE BETWEEN DOWELS ±0,02 BETWEEN SCREW HOLES ± 0,1
 **AREA TO ACCESS ANGLE ADJUSTMENT
 ***DIMENSIONS TO BE RESPECTED IN CASE OTHER MANUAL LEVERS ARE USED

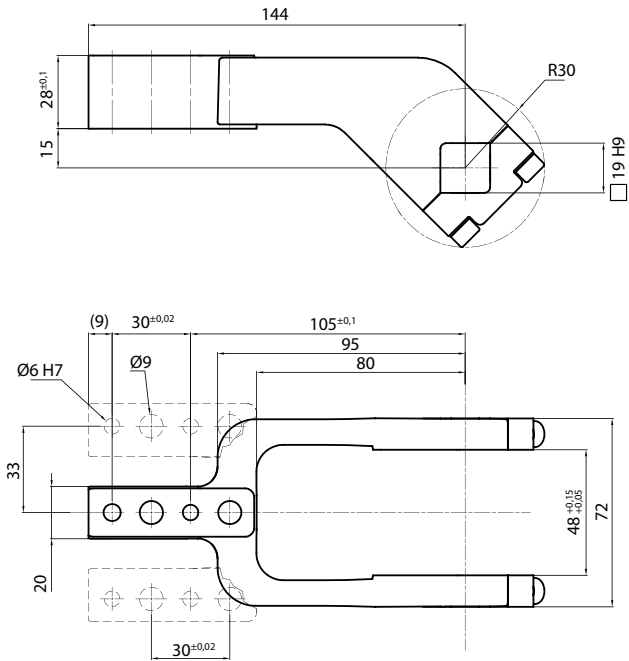
Maximum Applicable Load

Pressure: 5 bar - 90° cycle time (Open - Close)

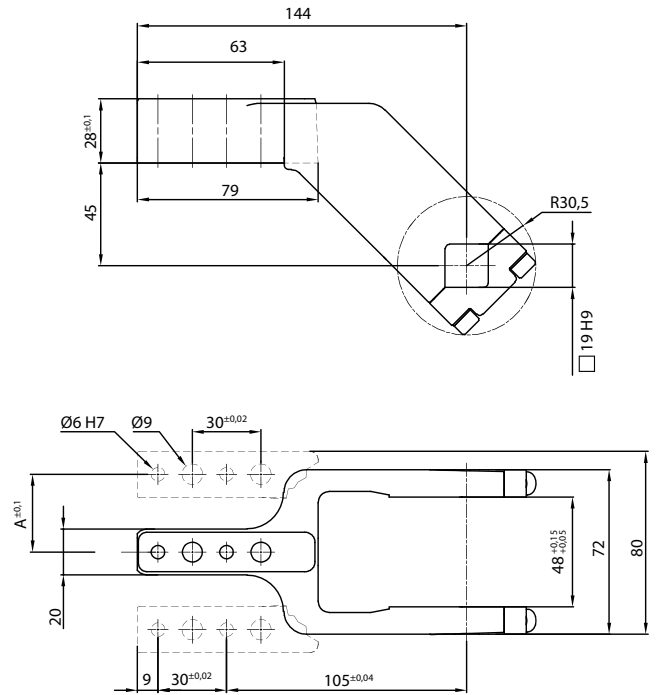


Clamping Arms

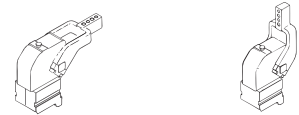
Arm Offset 15mm



Arm Offset 45mm



2



Armcode	Offset	Material	Arm style	Weight (Kg)	Opening angle (90°)	Opening angle (180°)
LKP00CL	15	ALUMINIUM	CENTRAL	0,4	0÷135°	0÷105°
LKP00DL	15	ALUMINIUM	RIGHT	0,4	0÷135°	0÷105°
LKP00SL	15	ALUMINIUM	LEFT	0,4	0÷135°	0÷105°
UP210151441G	15	STEEL	CENTRAL	0,8	0÷135°	0÷105°
UP210151442G	15	STEEL	RIGHT	0,8	0÷135°	0÷105°
UP210151443G	15	STEEL	LEFT	0,8	0÷135°	0÷105°
UKP5063E	45	ALUMINIUM	CENTRAL	0,45	0÷135°	0÷135°
UKP50F	45	ALUMINIUM	RIGHT	0,45	0÷135°	0÷135°
UKP50L	45	ALUMINIUM	LEFT	0,45	0÷135°	0÷135°
UKP5063ES	45	STEEL	CENTRAL	1,16	0÷135°	0÷135°
UKP50FS	45	STEEL	RIGHT	1,16	0÷135°	0÷135°
UKP50LS	45	STEEL	LEFT	1,16	0÷135°	0÷135°

Sensors



Electronic (optical)

- DF-K PNP M12
- DF-J NPN M12
- DF-Y PNP M12 White LED



Pneumatic

DF-UPNW

Accessories



Handlever

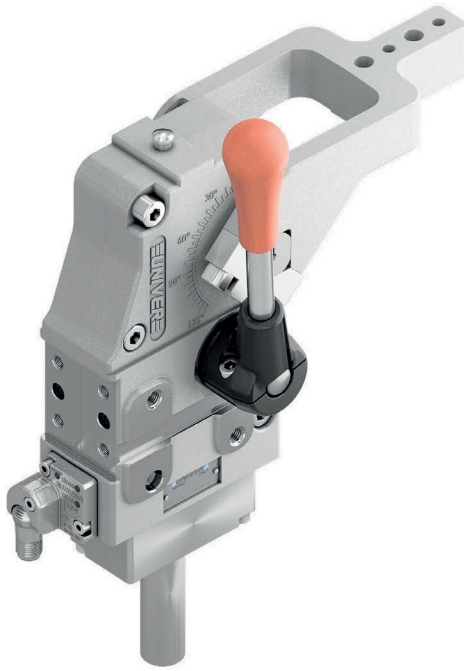
UBF255063

UCBL 463

Manual power clamps Ø63 mm

Manual power clamps size Ø63 mm with compensation system, toggle-joint mechanism and stepless adjustable opening angle, typically used for handling and holding metal sheets in welding applications

- Lightweight aluminium construction
- Integrated compensation system up to 2,7 mm
- Hand lever mount on both sides
- Fully optical electronic sensor or pneumatic sensor
- Fixing pattern on 4 sides
- Manual unlocking
- Integrated self-holding system for open position
- Clamping arm in aluminium or steel



2

CHARACTERISTICS

Operating temperature	5° ÷ 45° C
Opening angle*	0° ÷ 135°
Bore Ø	63 mm
Holding moment	1750 Nm
Clamping moment (0,5 MPa)	420 Nm
Weight (clamping arm not included)	2,95 Kg
Sensor	electronic (optical)
Supply voltage	10 ÷ 30 Vdc
IP code	IP65

*The opening angle range may vary according to the arm position and style.

CODIFICATION KEY

UC	B	L	4	63	V	E	A	K	0	
1	2	3	4	5	6	7	8	9	10	11



COMPENSATION



LIGHTWEIGHT



IRREVERSIBLE



ANGLE ADJUSTMENT



OPTICAL SENSOR

1

SERIES
UC = UNICLAMP Power clamps

2

STANDARD
B = European standard

3

VERSION
L = Manual power clamp with hand lever

4

FIXING
4 = On 4 sides

5

SIZE
63 = Ø 63 mm

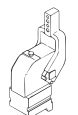
6

ARM POSITION

V = 90°



O = 180°



N = No arm



7

ARM STYLE
C = Central, 15 mm offset
D = Right, 15 mm offset
S = Left, 15 mm offset
E = Central, 45 mm offset
F = Right, 45 mm offset
L = Left, 45 mm offset
N = No arm
For other versions contact our Sales Dept.

8

ARM TYPE
A = Aluminium
S = Steel
N = No arm

9

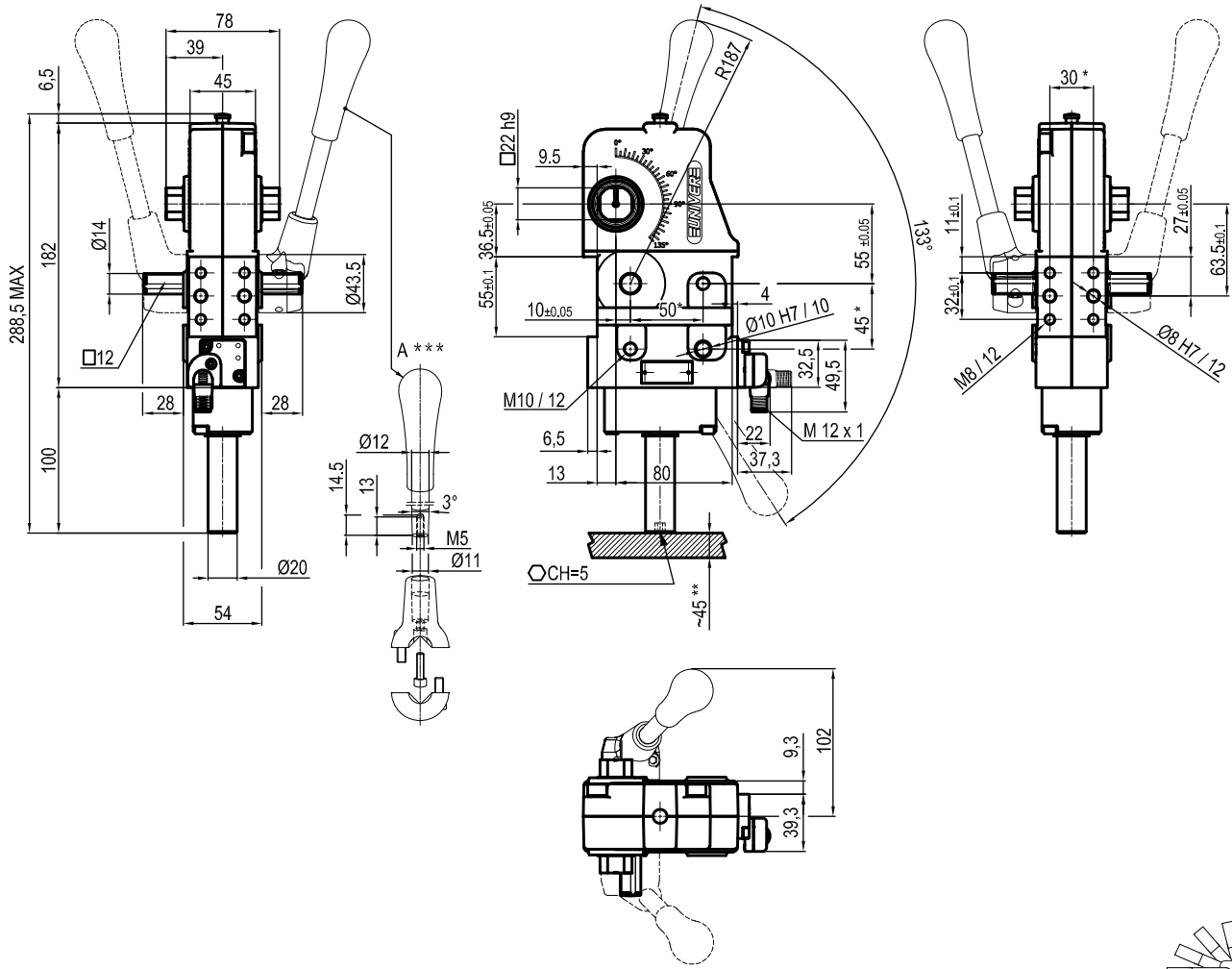
SENSOR
N = No sensor (with protection plate)
K = Electronic sensor PNP, M12 (DF-K)
D = Pneumatic sensor (DF-UPNW)
J = Electronic sensor NPN, optical (DF-J)
Y = Electronic sensor PNP, M12 (DF-Y) white LED

10

PRODUCT REVISION
Assigned by UNIVER

11

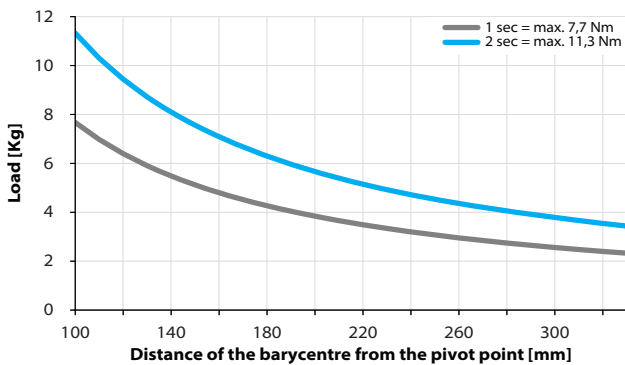
ATEX
X = ATEX option
See ATEX Catalogue for types and versions



*TOLERANCE BETWEEN DOWELS $\pm 0,02$ BETWEEN SCREW HOLES $\pm 0,1$
 **AREA TO ACCESS ANGLE ADJUSTMENT
 ***DIMENSIONS TO BE RESPECTED IN CASE OTHER MANUAL LEVERS ARE USED

Maximum Applicable Load

Pressure: 5 bar - 90° cycle time (Open - Close)

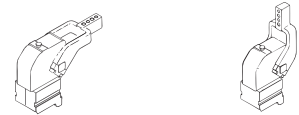
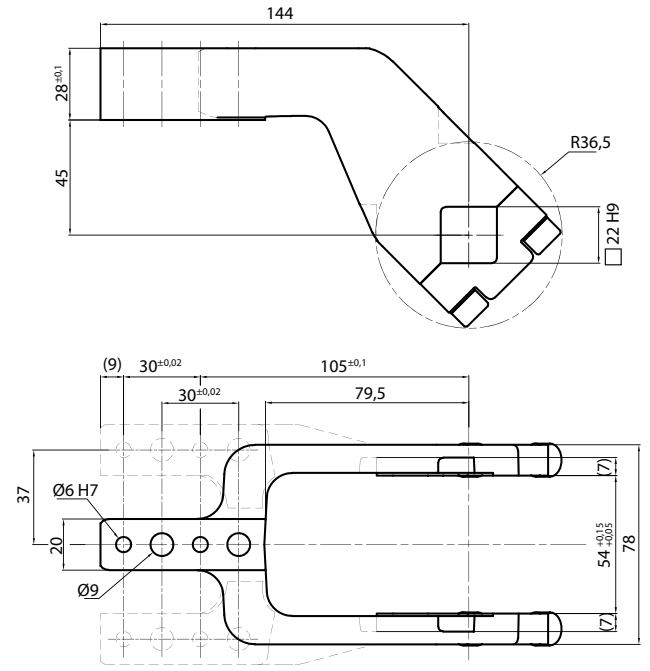
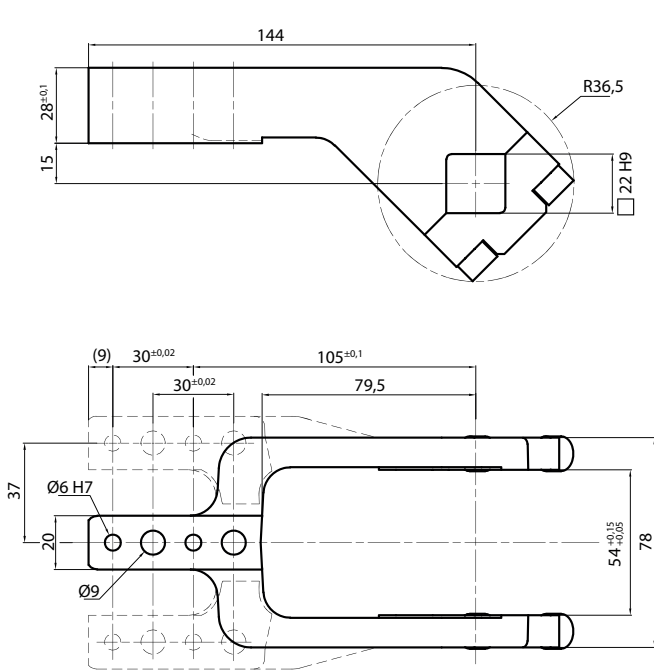


Clamping Arms

Arm Offset 15mm

Arm Offset 45mm

2



Armcode	Offset	Material	Arm style	Weight (Kg)	Opening angle (90°)	Opening angle (180°)
UP310151441A	15	ALUMINIUM	CENTRAL	0,3	0±135°	0±110°
UP310151442A	15	ALUMINIUM	RIGHT	0,3	0±135°	0±110°
UP310151443A	15	ALUMINIUM	LEFT	0,3	0±135°	0±110°
UP310151441G	15	STEEL	CENTRAL	1,2	0±135°	0±110°
UP310151442G	15	STEEL	RIGHT	1,2	0±135°	0±110°
UP310151443G	15	STEEL	LEFT	1,2	0±135°	0±110°
UP310451441A	45	ALUMINIUM	CENTRAL	0,3	0±135°	0±135°
UP310451442A	45	ALUMINIUM	RIGHT	0,3	0±135°	0±135°
UP310451443A	45	ALUMINIUM	LEFT	0,3	0±135°	0±135°
UP310451441G	45	STEEL	CENTRAL	1,4	0±135°	0±135°
UP310451442G	45	STEEL	RIGHT	1,4	0±135°	0±135°
UP310451443G	45	STEEL	LEFT	1,4	0±135°	0±135°

Sensors

Accessories



Electronic (optical)

Pneumatic

Handlever

DF-K PNP M12
DF-J NPN M12
DF-Y PNP M12 White LED

DF-UPNW

UBF255063

UABP 32

Air saving pneumatic power clamps size 32

AIR SAVING pneumatic power clamps with compensation system, toggle-joint mechanism and stepless adjustable opening angle. The special construction enables a relevant reduction in Air consumption, without affecting standard performances required from the market.

- Air consumption saving up to 39%
- Reduced dimensions compared to standard power clamps
- Version with hand lever available
- Fully optical electronic sensor
- Fixing pattern on 4 sides
- Manual unlocking in case of air loss
- Self-holding system for open position available
- Clamping arm in aluminium



CHARACTERISTICS

Operating temperature	5° ÷ 45° C
Min./Max. Operating pressure	0,4 / 0,6 MPa
Opening angle*	0° ÷ 135°
Size	32
Cylinder bore Ø	25 mm
Holding moment	250 Nm
Clamping moment (0,5 MPa)	50 Nm
Weight (clamping arm not included)	1,2 Kg
Pneumatic supply ports	M5
Sensor	electronic (optical)
Supply voltage	10 ÷ 30 Vdc
IP code	IP65

*The opening angle range may vary according to the arm position and style.

CODIFICATION KEY

UA	B	P	32	O	E	A	K	0	
1	2	3	4	5	6	7	8	9	10



AIR SAVING



COMPENSATION



LIGHTWEIGHT



IRREVERSIBLE



ANGLE ADJUSTMENT



OPTICAL SENSOR

1 SERIES
UA = BLUECLAMP Power clamps
air saving

2 STANDARD
B = European standard

3 VERSION
P = Pneumatic

4 SIZE
32 = Size 32 (Cylinder Ø25 mm)

5 ARM POSITION

V = 90°



O = 180°



N = No arm



6 ARM STYLE
B = Central, 0 mm offset
C = Central, 10 mm offset
E = Central, 25 mm offset
N = No arm
For other versions contact our Sales Dept.

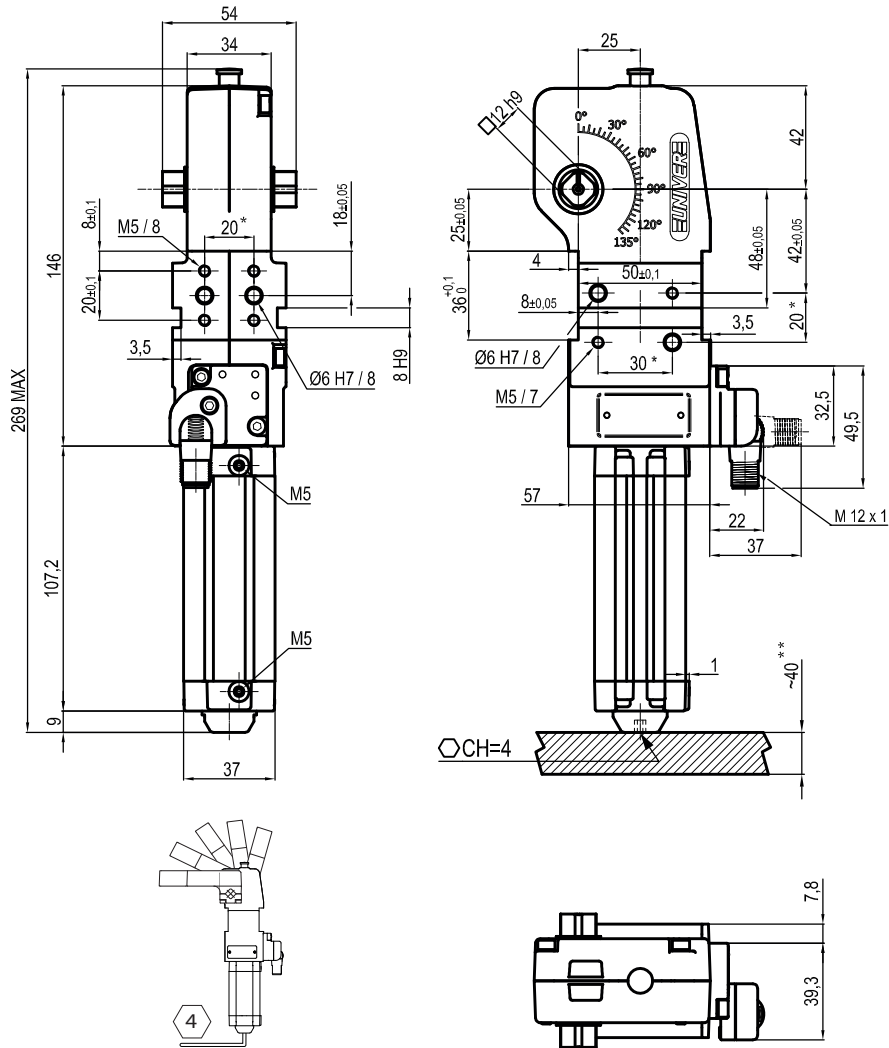
7 ARM TYPE
A = Aluminium
N = No arm

8 SENSOR
N = No sensor (with protection plate)
K = Electronic sensor PNP (M12) (DF-K)
J = Electronic sensor NPN (optical) (DF-J)
Y = Electronic sensor PNP (M12) (DF-Y) white LED

9 PRODUCT REVISION
Assigned by UNIVER

10 ATEX
X = ATEX option
See ATEX Catalogue for types and versions

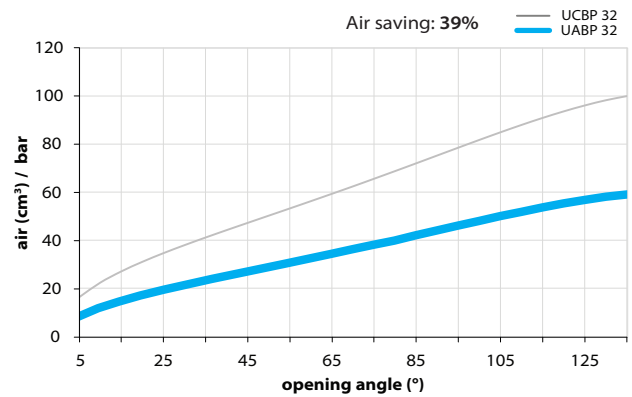
2



*TOLERANCE BETWEEN DOWELS $\pm 0,02$ BETWEEN SCREW HOLES $\pm 0,1$
 **AREA TO ACCESS ANGLE ADJUSTMENT

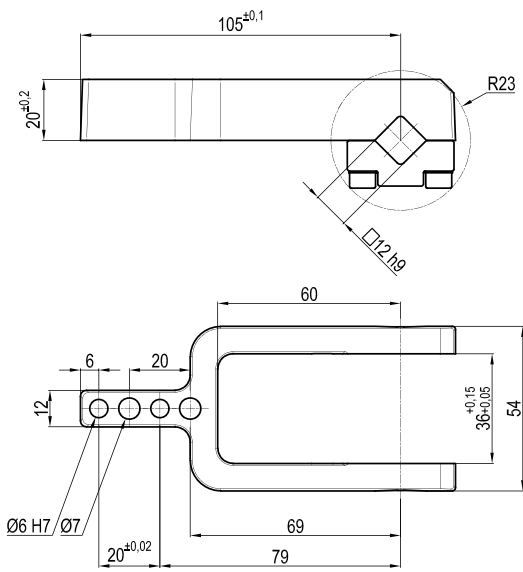
Air Consumption per Cycle

Compared with standard version

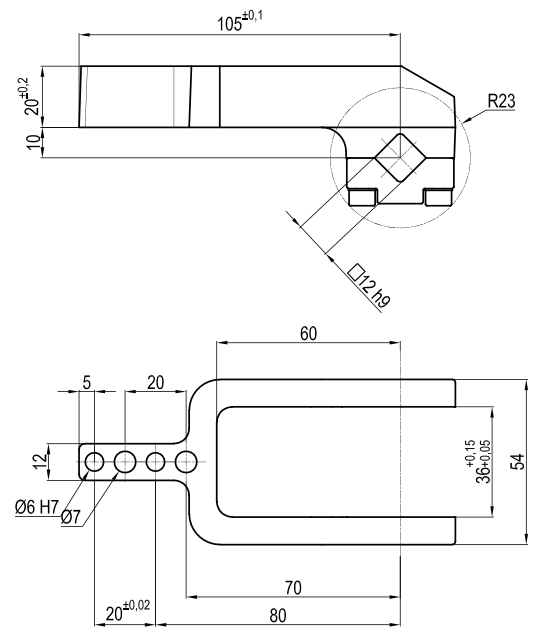


Clamping Arms

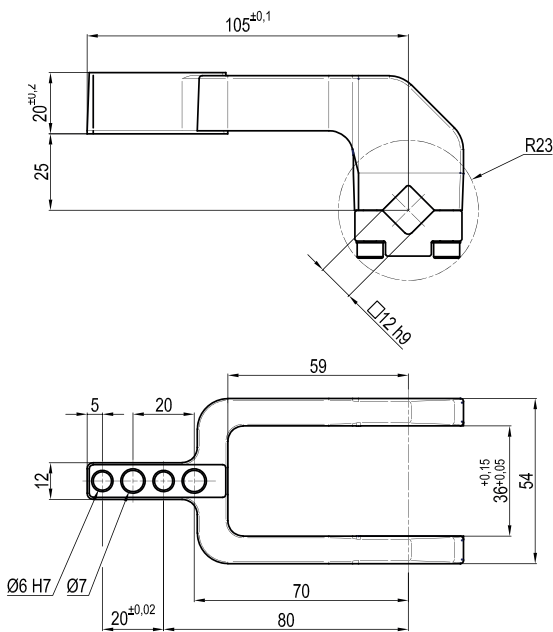
Arm Offset 0mm



Arm Offset 10mm



Arm Offset 25mm



Armcode	Offset	Material	Arm style	Weight (Kg)	Opening angle (90°)	Opening angle (180°)
LKP32B	0	ALUMINIUM	CENTRAL	0,15	0±135°	0±105°
LKP32C	10	ALUMINIUM	CENTRAL	0,15	0±135°	0±120°
LKP32E	25	ALUMINIUM	CENTRAL	0,15	0±135°	0±125°

Sensors



Electronic (optical)

- DF-K PNP M12
- DF-J NPN M12
- DF-Y PNP M12 White LED

Accessories



Self holding system

UBK46P12

UABP 40

Air saving pneumatic power clamps size 40

AIR SAVING pneumatic power clamps with compensation system, toggle-joint mechanism and stepless adjustable opening angle. The special construction enables a relevant reduction in air consumption, without affecting standard performances required from the market.

- Air consumption saving up to 37%
- Reduced dimensions compared to standard power clamps
- Integrated compensation
- Version with hand lever available
- Fully optical electronic sensor
- Fixing pattern on 4 sides
- Manual unlocking in case of air loss
- Self-holding system for open position available
- Clamping arm in aluminium or steel

CHARACTERISTICS

Operating temperature	5° ÷ 45° C
Min./Max. Operating pressure	0,4 / 0,6 MPa
Opening angle*	0° ÷ 135°
Size	40
Cylinder bore Ø	32 mm
Holding moment	600 Nm
Clamping moment (0,5 MPa)	125 Nm
Weight (clamping arm not included)	1,4 Kg
Pneumatic supply ports	G1/8
Sensor	electronic (optical)
Supply voltage	10 ÷ 30 Vdc
IP code	IP65

*The opening angle range may vary according to the arm position and style.

CODIFICATION KEY

UA | B | P | 40 | O | E | A | K | 0 | 10

1 2 3 4 5 6 7 8 9 10



AIR SAVING



COMPENSATION



LIGHTWEIGHT



IRREVERSIBLE



ANGLE ADJUSTMENT



OPTICAL SENSOR

1 SERIES
UA = BLUECLAMP Power clamps air saving

2 STANDARD
B = European standard

3 VERSION
P = Pneumatic

4 SIZE
40 = Size 40 (Cylinder Ø32 mm)

5 ARM POSITION

V = 90°

O = 180°

N = No arm

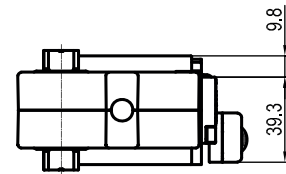
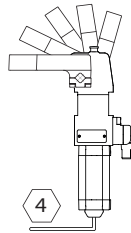
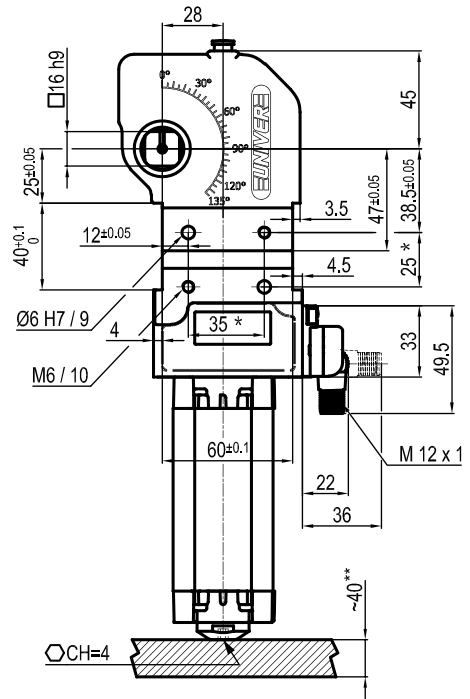
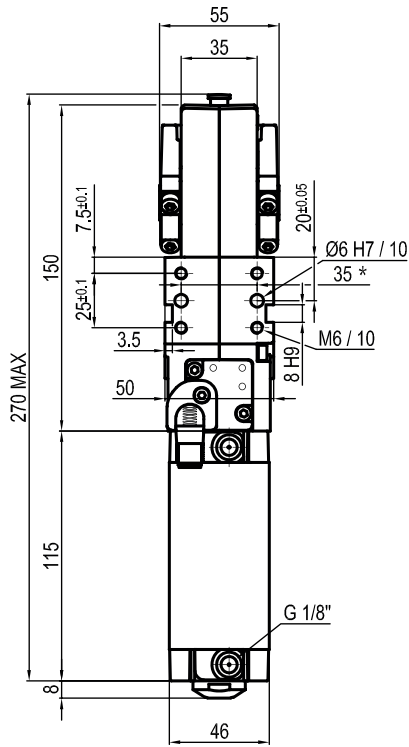
6 ARM STYLE
C = Central, 15 mm offset
D = Right, 15 mm offset
S = Right, 15 mm offset
E = Central, 45 mm offset
F = Central, 45 mm offset
L = Central, 45 mm offset
N = No arm
For other versions contact our Sales Dept.

7 ARM TYPE
A = Aluminium
S = Steel
N = No arm

8 SENSOR
N = No sensor (with protection plate)
K = Electronic sensor PNP (M12) (DF-K)
J = Electronic sensor NPN (optical) (DF-J)
Y = Electronic sensor PNP (M12) (DF-Y) white LED

9 PRODUCT REVISION
Assigned by UNIVER

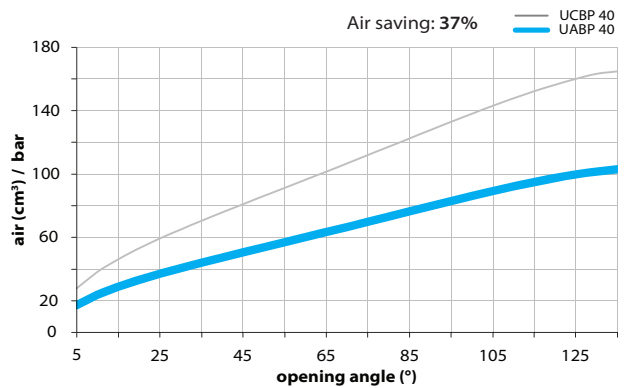
10 ATEX
X = ATEX option
See ATEX Catalogue for types and versions



*TOLERANCE BETWEEN DOWELS $\pm 0,02$ BETWEEN SCREW HOLES $\pm 0,1$
 **AREA TO ACCESS ANGLE ADJUSTMENT

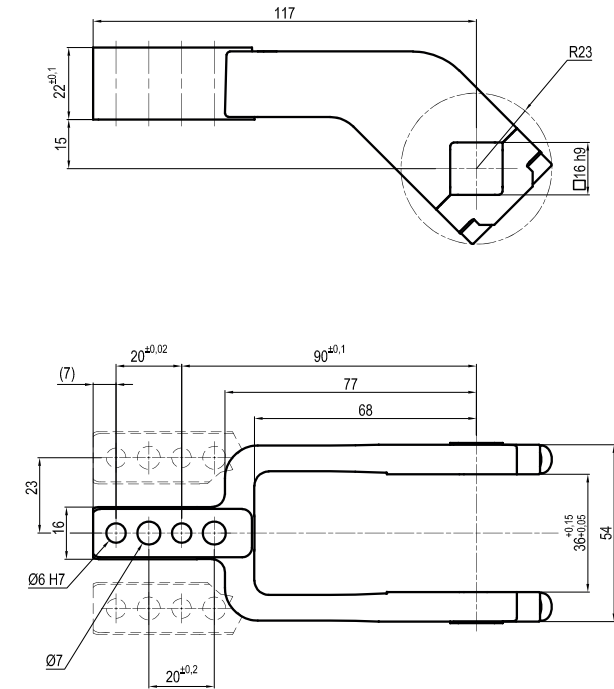
Air Consumption per Cycle

Compared with standard version

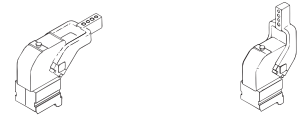
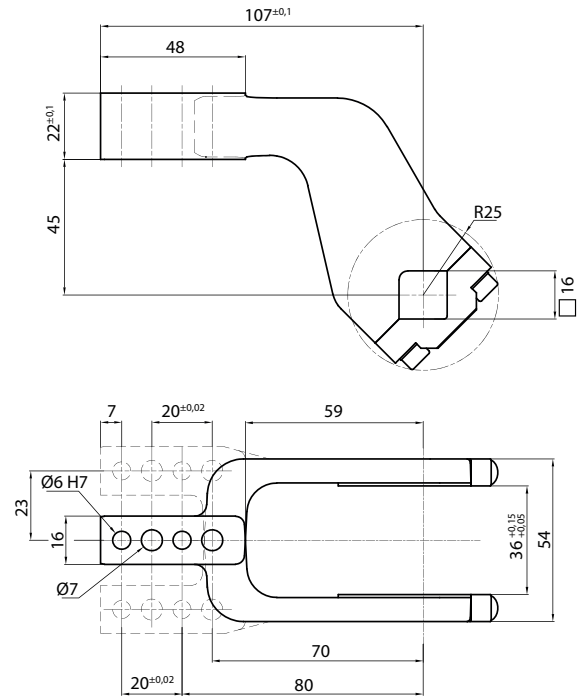


Clamping Arms

Arm Offset 15mm



Arm Offset 45mm



Armcode	Offset	Material	Arm style	Weight (Kg)	Opening angle (90°)	Opening angle (180°)
LKP01CST	15	ALUMINIUM	CENTRAL	0,2	0÷135°	0÷125°
LKP01DST	15	ALUMINIUM	RIGHT	0,2	0÷135°	0÷125°
LKP01SST	15	ALUMINIUM	LEFT	0,2	0÷135°	0÷125°
UP120151441S	15	STEEL	CENTRAL	0,4	0÷135°	0÷125°
UP120151442S	15	STEEL	RIGHT	0,4	0÷135°	0÷125°
UP120151443S	15	STEEL	LEFT	0,4	0÷135°	0÷125°
UKP01E	45	ALUMINIUM	CENTRAL	0,25	0÷125°	0÷135°
UKP01F	45	ALUMINIUM	RIGHT	0,25	0÷125°	0÷135°
UKP01L	45	ALUMINIUM	LEFT	0,25	0÷125°	0÷135°
UKP01ES	45	STEEL	CENTRAL	0,4	0÷125°	0÷135°
UKP01FS	45	STEEL	RIGHT	0,4	0÷125°	0÷135°
UKP01LS	45	STEEL	LEFT	0,4	0÷125°	0÷135°

Sensors



Electronic (optical)

- DF-K PNP M12
- DF-J NPN M12
- DF-Y PNP M12 White LED

Accessories



Self holding system

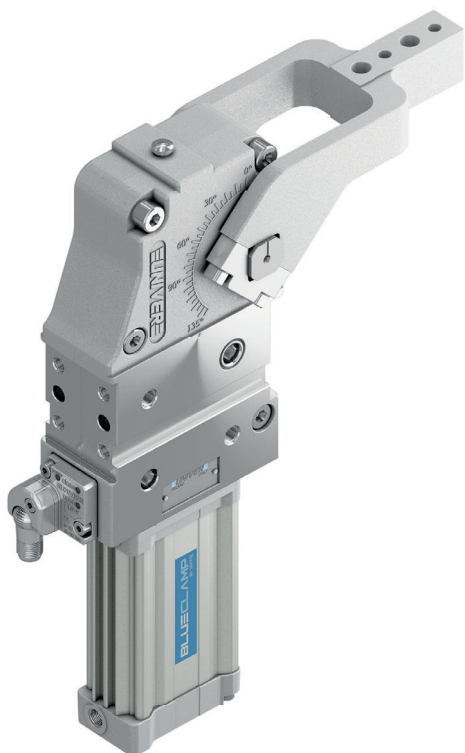
- UBK46P16 For arm 15 offset
- UBK46P16-45 For arm 45 offset

UABP 50

Air saving pneumatic power clamps size 50

AIR SAVING pneumatic power clamps with compensation system, toggle-joint mechanism and stepless adjustable opening angle. The special construction enables a relevant reduction in air consumption, without affecting standard performances required from the market.

- Air consumption saving up to 35%
- Reduced dimensions compared to standard power clamps
- Integrated compensation
- Version with hand lever available
- Fully optical electronic sensor
- Fixing pattern on 4 sides
- Manual unlocking in case of air loss
- Self-holding system for open position available
- Clamping arm in aluminium or steel



CHARACTERISTICS

Operating temperature	5° ÷ 45° C
Min./Max. Operating pressure	0,4 / 0,6 MPa
Opening angle*	0° ÷ 135°
Size	50
Cylinder bore Ø	40 mm
Holding moment	1250 Nm
Clamping moment (0,5 MPa)	170 Nm
Weight (clamping arm not included)	2,3 Kg
Pneumatic supply ports	G1/4 on both sides
Sensor	electronic (optical)
Supply voltage	10 ÷ 30 Vdc
IP code	IP65

*The opening angle range may vary according to the arm position and style.

CODIFICATION KEY

UA	B	P	50	O	E	A	K	0	
1	2	3	4	5	6	7	8	9	10



AIR SAVING



COMPENSATION



LIGHTWEIGHT



IRREVERSIBLE



ANGLE ADJUSTMENT



OPTICAL SENSOR



COMPACT

1 SERIES
UA = BLUECLAMP Power clamps air saving

2 STANDARD
B = European standard

3 VERSION
P = Pneumatic

4 SIZE
50 = Size 50 (Cylinder Ø40 mm)

5 ARM POSITION

V = 90°



O = 180°



N = No arm



6 ARM STYLE
C = Central, 15 mm offset
D = Right, 15 mm offset
S = Right, 15 mm offset
E = Central, 45 mm offset
F = Central, 45 mm offset
L = Central, 45 mm offset
N = No arm
For other versions contact our Sales Dept.

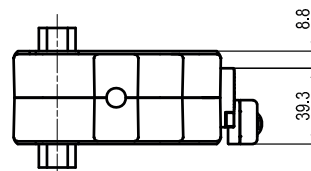
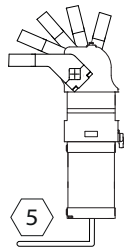
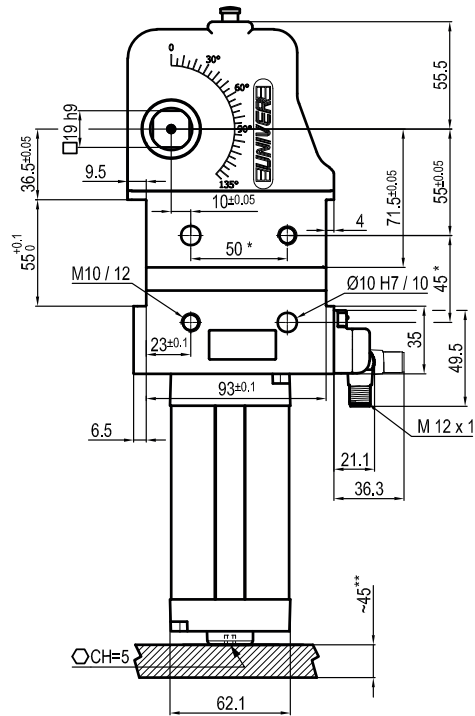
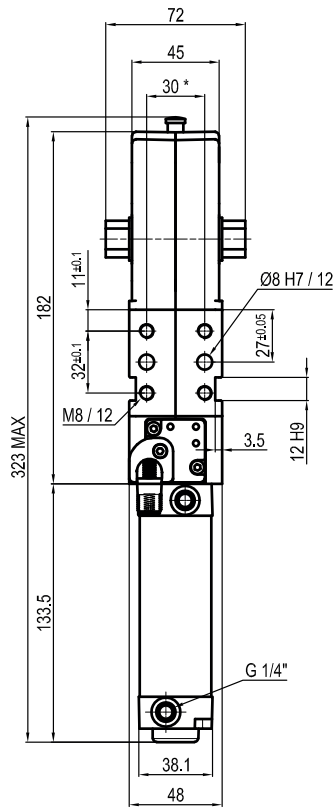
7 ARM TYPE
A = Aluminium
S = Steel
N = No arm

8 SENSOR
N = No sensor (with protection plate)
K = Electronic sensor PNP (M12) (DF-K)
J = Electronic sensor NPN (optical) (DF-J)
Y = Electronic sensor PNP (M12) (DF-Y) white LED

9 PRODUCT REVISION
Assigned by UNIVER

10 ATEX
X = ATEX option
See ATEX Catalogue for types and versions

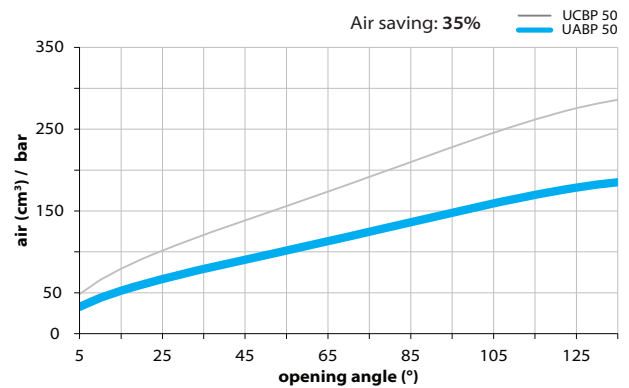
2



*TOLERANCE BETWEEN DOWELS ± 0,02 BETWEEN SCREW HOLES ± 0,1
 **AREA TO ACCESS ANGLE ADJUSTMENT

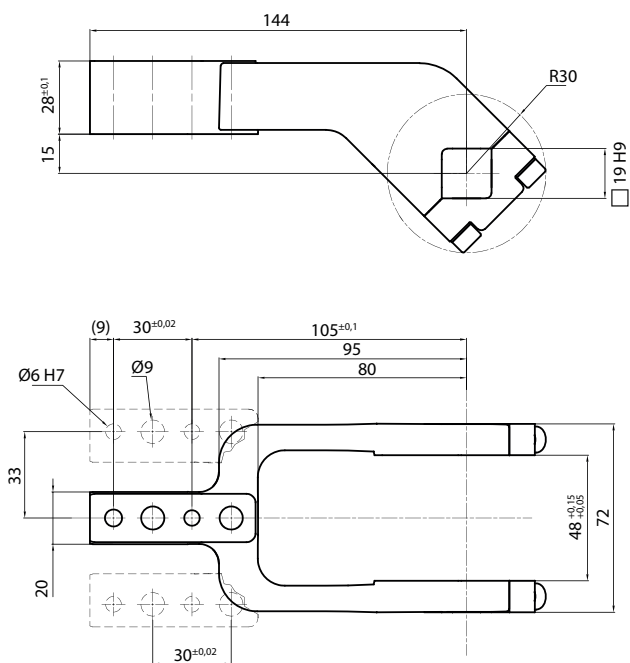
Air Consumption per Cycle

Compared with standard version

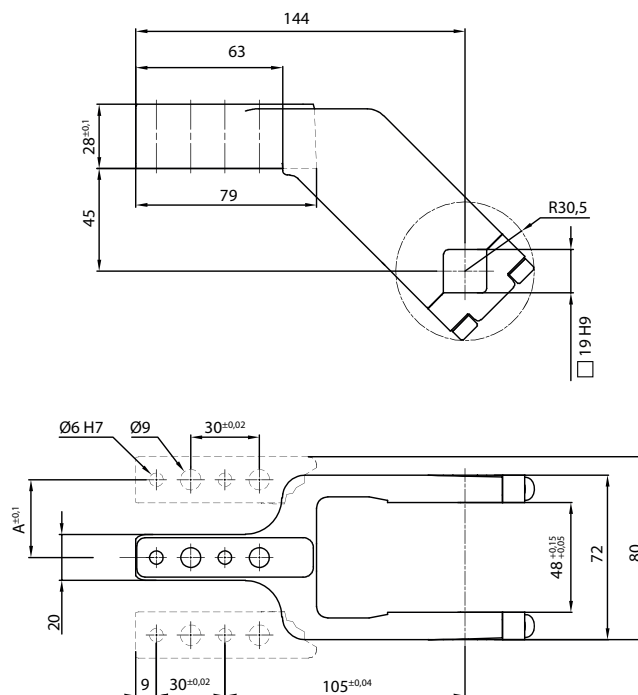


Clamping Arms

Arm Offset 15mm



Arm Offset 45mm



Armcode	Offset	Material	Arm style	Weight (Kg)	Opening angle (90°)	Opening angle (180°)
LKP00CL	15	ALUMINIUM	CENTRAL	0,4	0±135°	0±105°
LKP00DL	15	ALUMINIUM	RIGHT	0,4	0±135°	0±105°
LKP00SL	15	ALUMINIUM	LEFT	0,4	0±135°	0±105°
UP210151441G	15	STEEL	CENTRAL	0,8	0±135°	0±105°
UP210151442G	15	STEEL	RIGHT	0,8	0±135°	0±105°
UP210151443G	15	STEEL	LEFT	0,8	0±135°	0±105°
UKP5063E	45	ALUMINIUM	CENTRAL	0,45	0±135°	0±135°
UKP50F	45	ALUMINIUM	RIGHT	0,45	0±135°	0±135°
UKP50L	45	ALUMINIUM	LEFT	0,45	0±135°	0±135°
UKP5063ES	45	STEEL	CENTRAL	1,16	0±135°	0±135°
UKP50FS	45	STEEL	RIGHT	1,16	0±135°	0±135°
UKP50LS	45	STEEL	LEFT	1,16	0±135°	0±135°

Sensors



Electronic (optical)

- DF-K PNP M12
- DF-J NPN M12
- DF-Y PNP M12 White LED

Accessories



Self holding system

UBK46P19

UABP 63

Air saving pneumatic power clamps size 63

AIR SAVING pneumatic power clamps with compensation system, toggle-joint mechanism and stepless adjustable opening angle. The special construction enables a relevant reduction in air consumption, without affecting standard performances required from the market.

- Air consumption saving up to 27%
- Reduced dimensions compared to standard power clamps
- Integrated compensation
- Version with hand lever available
- Fully optical electronic sensor
- Fixing pattern on 4 sides
- Manual unlocking in case of air loss
- Self-holding system for open position available
- Clamping arm in aluminium or steel

CHARACTERISTICS

Operating temperature	5° ÷ 45° C
Min./Max. Operating pressure	0,4 / 0,6 MPa
Opening angle*	0° ÷ 135°
Size	63
Cylinder bore Ø	50 mm
Holding moment	1750 Nm
Clamping moment (0,5 MPa)	380 Nm
Weight (clamping arm not included)	3,2 Kg
Pneumatic supply ports	G1/4 on both sides
Sensor	electronic (optical)
Supply voltage	10 ÷ 30 Vdc
IP code	IP65

*The opening angle range may vary according to the arm position and style.

CODIFICATION KEY

UA	B	P	63	O	E	A	K	0	
1	2	3	4	5	6	7	8	9	10



AIR SAVING



COMPENSATION



LIGHTWEIGHT



IRREVERSIBLE



ANGLE ADJUSTMENT



OPTICAL SENSOR



COMPACT

1 SERIES
UA = BLUECLAMP Power clamps air saving

2 STANDARD
B = European standard

3 VERSION
P = Pneumatic

4 SIZE
63 = Size 63 (Cylinder Ø50 mm)

5 ARM POSITION

V = 90°



O = 180°



N = No arm



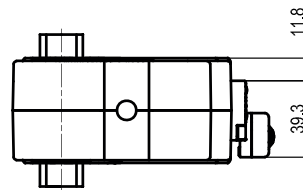
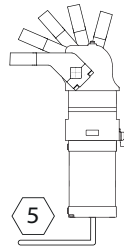
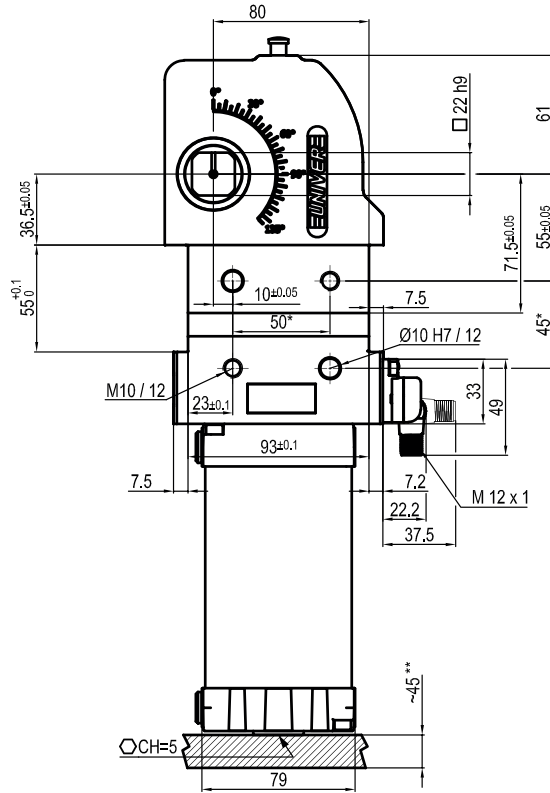
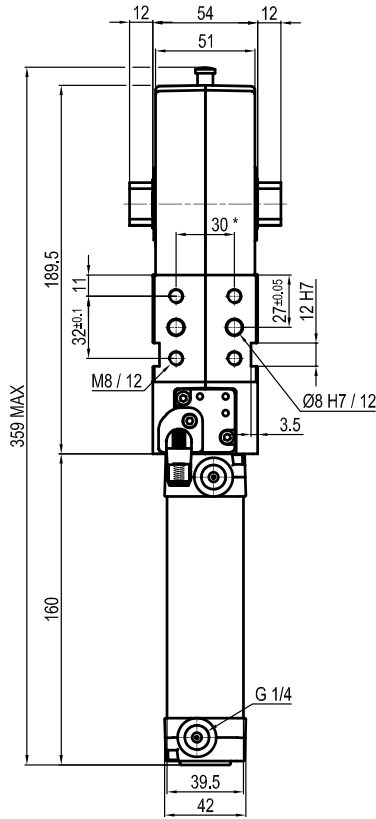
6 ARM STYLE
C = Central, 15 mm offset
D = Right, 15 mm offset
S = Right, 15 mm offset
E = Central, 45 mm offset
F = Central, 45 mm offset
L = Central, 45 mm offset
N = No arm
For other versions contact our Sales Dept.

7 ARM TYPE
A = Aluminium
S = Steel
N = No arm

8 SENSOR
N = No sensor (with protection plate)
K = Electronic sensor PNP (M12) (DF-K)
J = Electronic sensor NPN (optical) (DF-J)
Y = Electronic sensor PNP (M12) (DF-Y) white LED

9 PRODUCT REVISION
Assigned by UNIVER

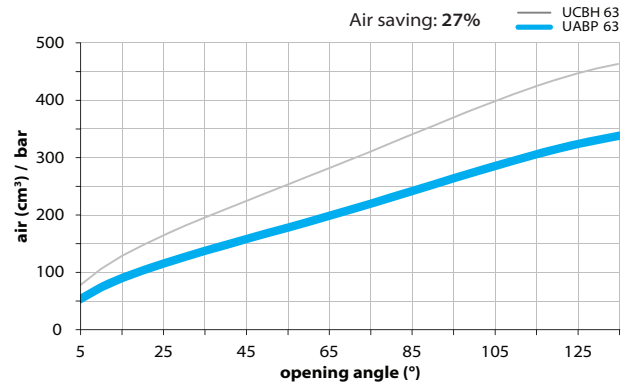
10 ATEX
X = ATEX option
See ATEX Catalogue for types and versions



*TOLERANCE BETWEEN DOWELS ± 0,02 BETWEEN SCREW HOLES ± 0,1
 **AREA TO ACCESS ANGLE ADJUSTMENT

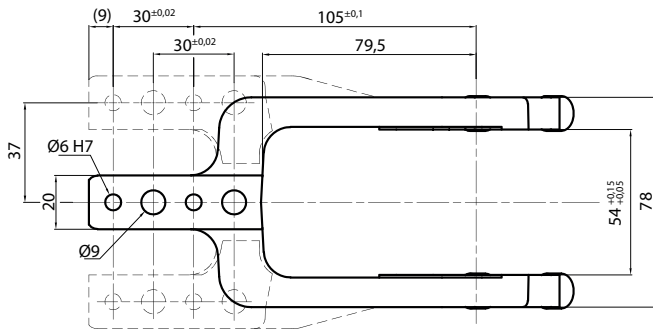
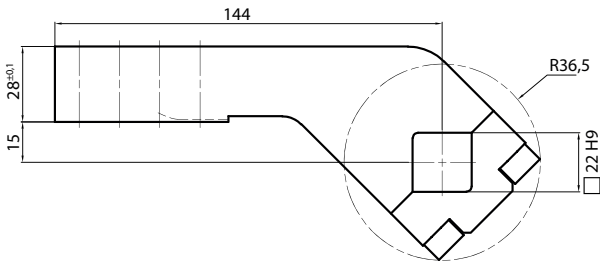
Air Consumption per Cycle

Compared with standard version

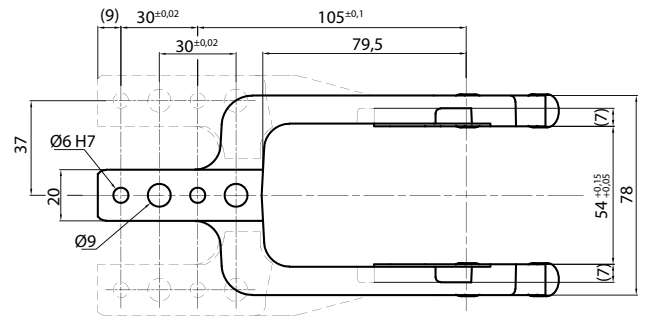
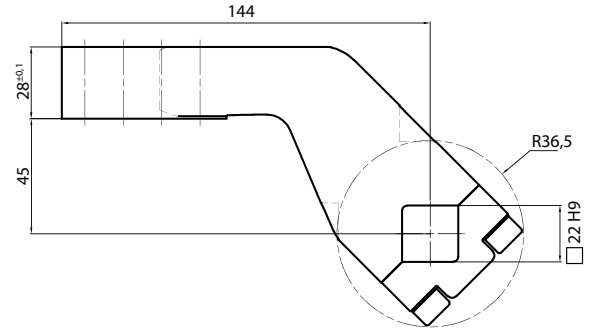


Clamping Arms

Arm Offset 15mm



Arm Offset 45mm



Armcode	Offset	Material	Arm style	Weight (Kg)	Opening angle (90°)	Opening angle (180°)
UP310151441A	15	ALUMINIUM	CENTRAL	0,3	0÷135°	0÷105°
UP310151442A	15	ALUMINIUM	RIGHT	0,3	0÷135°	0÷105°
UP310151443A	15	ALUMINIUM	LEFT	0,3	0÷135°	0÷105°
UP310151441S	15	STEEL	CENTRAL	1,2	0÷135°	0÷105°
UP310151442S	15	STEEL	RIGHT	1,2	0÷135°	0÷105°
UP310151443S	15	STEEL	LEFT	1,2	0÷135°	0÷105°
UP310451441A	45	ALUMINIUM	CENTRAL	0,3	0÷135°	0÷135°
UP310451442A	45	ALUMINIUM	RIGHT	0,3	0÷135°	0÷135°
UP310451443A	45	ALUMINIUM	LEFT	0,3	0÷135°	0÷135°
UP310451441S	45	STEEL	CENTRAL	1,4	0÷135°	0÷135°
UP310451442S	45	STEEL	RIGHT	1,4	0÷135°	0÷135°
UP310451443S	45	STEEL	LEFT	1,4	0÷135°	0÷135°

Sensors



Electronic (optical)

- DF-K PNP M12
- DF-J NPN M12
- DF-Y PNP M12 White LED

Accessories



Self holding system

UBK46P22

UABP 80

Air saving pneumatic power clamps size 80

AIR SAVING pneumatic power clamps with compensation system, toggle-joint mechanism and stepless adjustable opening angle. The special construction enables a relevant reduction in air consumption, without affecting standard performances required from the market.

- Air consumption saving up to 38%
- Reduced dimensions compared to standard power clamps
- Integrated compensation
- Version with hand lever available
- Fully optical electronic sensor
- Fixing pattern on 4 sides
- Manual unlocking in case of air loss
- Self-holding system for open position available
- Clamping arm in aluminium or steel

CHARACTERISTICS

Operating temperature	5° ÷ 45° C
Min./Max. Operating pressure	0,4 / 0,6 MPa
Opening angle*	0° ÷ 135°
Size	80
Cylinder bore Ø	63 mm
Holding moment	4000 Nm
Clamping moment (0,5 MPa)	880 Nm
Weight (clamping arm not included)	7 Kg
Pneumatic supply ports	G1/4 on both sides
Sensor	electronic (optical)
Supply voltage	10 ÷ 30 Vdc
IP code	IP65

*The opening angle range may vary according to the arm position and style.

CODIFICATION KEY

UA	B	P	80	O	E	A	K	0	
1	2	3	4	5	6	7	8	9	10



AIR SAVING



COMPENSATION



LIGHTWEIGHT



IRREVERSIBLE



ANGLE ADJUSTMENT



OPTICAL SENSOR



COMPACT

1 SERIES
UA = BLUECLAMP Power clamps air saving

2 STANDARD
B = European standard

3 VERSION
P = Pneumatic

4 SIZE
80 = Size 80 (Cylinder Ø63 mm)

5 ARM POSITION

V = 90°



O = 180°



N = No arm



6 ARM STYLE
C = Central, 20 mm offset
D = Right, 20 mm offset
S = Right, 20 mm offset
E = Central, 45 mm offset
F = Central, 45 mm offset
L = Central, 45 mm offset
P = Double, 20 mm offset
N = No arm
For other versions contact our Sales Dept.

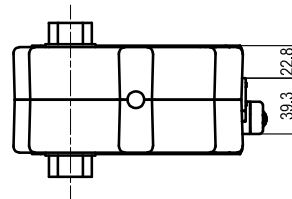
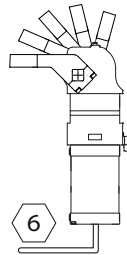
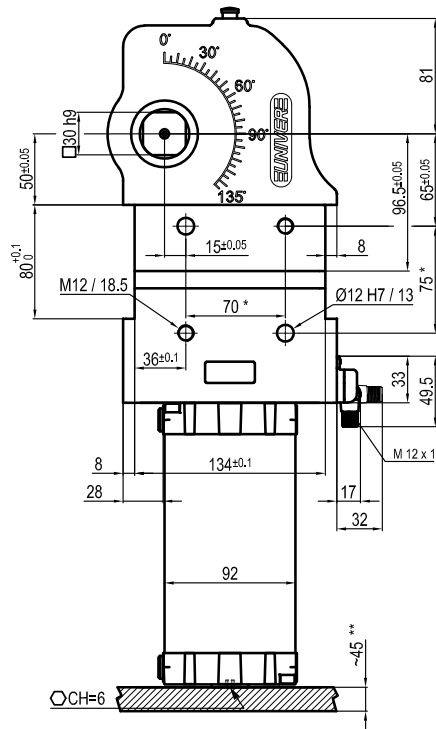
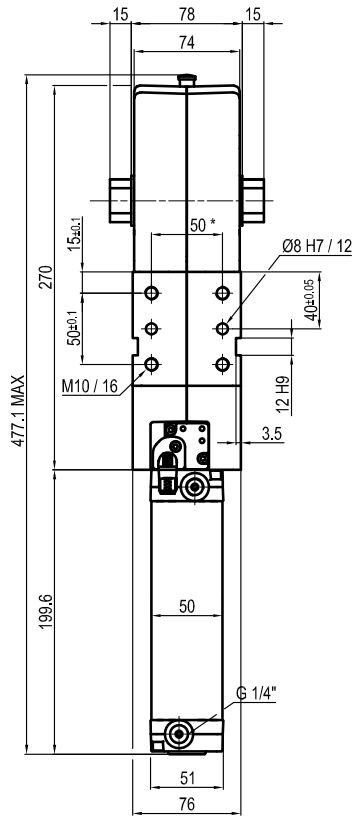
7 ARM TYPE
A = Aluminium
S = Steel
N = No arm

8 SENSOR
N = No sensor (with protection plate)
K = Electronic sensor PNP (M12) (DF-K)
J = Electronic sensor NPN (optical) (DF-J)
Y = Electronic sensor PNP (M12) (DF-Y) white LED

9 PRODUCT REVISION
Assigned by UNIVER

10 ATEX
X = ATEX option
See ATEX Catalogue for types and versions

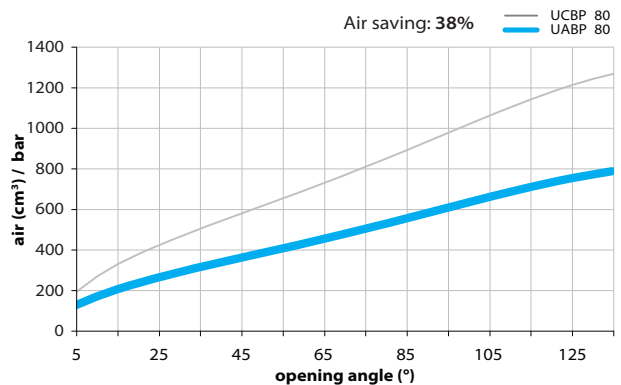
2



*TOLERANCE BETWEEN DOWELS $\pm 0,02$ BETWEEN SCREW HOLES $\pm 0,1$
 **AREA TO ACCESS ANGLE ADJUSTMENT

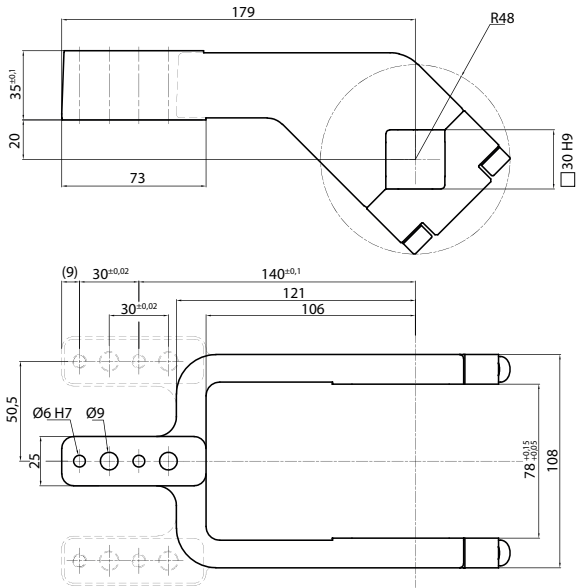
Air Consumption per Cycle

Compared with standard version

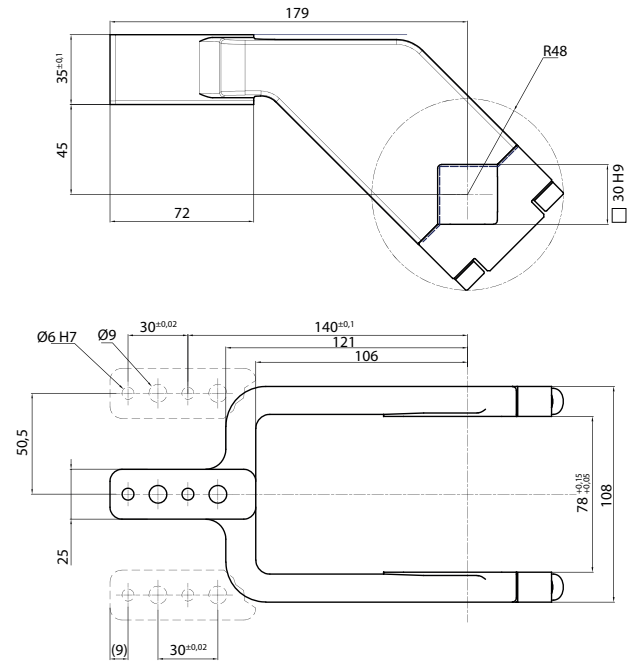


Clamping Arms

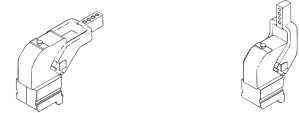
Arm Offset 20mm



Arm Offset 45mm



2



Armcode	Offset	Material	Arm style	Weight (Kg)	Opening angle (90°)	Opening angle (180°)
LKP80C	20	ALUMINIUM	CENTRAL	0,6	0±135°	0±105°
LKP80D	20	ALUMINIUM	RIGHT	0,6	0±135°	0±105°
LKP80S	20	ALUMINIUM	LEFT	0,6	0±135°	0±105°
UKP80CS	20	STEEL	CENTRAL	2,3	0±135°	0±105°
UKP80DS	20	STEEL	RIGHT	2,3	0±135°	0±105°
UKP80SS	20	STEEL	LEFT	2,3	0±135°	0±105°
UKP80E	45	ALUMINIUM	CENTRAL	0,6	0±135°	0±125°
UKP80F	45	ALUMINIUM	RIGHT	0,6	0±135°	0±125°
UKP80L	45	ALUMINIUM	LEFT	0,6	0±135°	0±125°
UKP80ES	45	STEEL	CENTRAL	2,2	0±135°	0±125°
UKP80FS	45	STEEL	RIGHT	2,2	0±135°	0±125°
UKP80LS	45	STEEL	LEFT	2,2	0±135°	0±125°

Sensors



Electronic (optical)

- DF-K PNP M12
- DF-J NPN M12
- DF-Y PNP M12 White LED

Accessories



Self holding system

UBK46P30

UABM 40

Air saving pneumatic power clamps size 40, with hand lever

AIR SAVING Pneumatic power clamps with compensation system, toggle-joint mechanism and stepless adjustable opening angle. The special construction enables a relevant reduction in air consumption, without affecting standard performances required from the market.

- Air consumption saving up to 37%
- Reduced dimensions compared to standard power clamps
- Integrated compensation
- Hand lever mount on both sides
- Fully optical electronic sensor
- Fixing pattern on 4 sides
- Manual unlocking in case of air loss
- Self-holding system for open position available
- Clamping arm in aluminium or steel

CHARACTERISTICS

Operating temperature	5° ÷ 45° C
Min./Max. Operating pressure	0,4 / 0,6 MPa
Opening angle*	0° ÷ 95°
Size	40
Cylinder bore Ø	32 mm
Holding moment	600 Nm
Clamping moment (0,5 MPa)	125 Nm
Weight (clamping arm not included)	1,7 Kg
Pneumatic supply ports	G1/8
Sensor	electronic (optical)
Supply voltage	10 ÷ 30 Vdc
IP code	IP65

*The opening angle range may vary according to the arm position and style.

CODIFICATION KEY

UA	B	M	40	O	E	A	K	0	
1	2	3	4	5	6	7	8	9	10



AIR SAVING



COMPENSATION



LIGHTWEIGHT



IRREVERSIBLE



ANGLE ADJUSTMENT



OPTICAL SENSOR

1

SERIES

UA = BLUECLAMP Power clamps air saving

2

STANDARD

B = European standard

3

VERSION

M = Pneumatic with hand lever

4

SIZE

40 = Size 40 (Cylinder Ø32 mm)

5

ARM POSITION

V = 90°



O = 180°



N = No arm



7

ARM TYPE

A = Aluminium
S = Steel
N = No arm

8

SENSOR

N = No sensor (with protection plate)
K = Electronic sensor PNP (M12) (DF-K)
J = Electronic sensor NPN (optical) (DF-J)
Y = Electronic sensor PNP (M12) (DF-Y) white LED

9

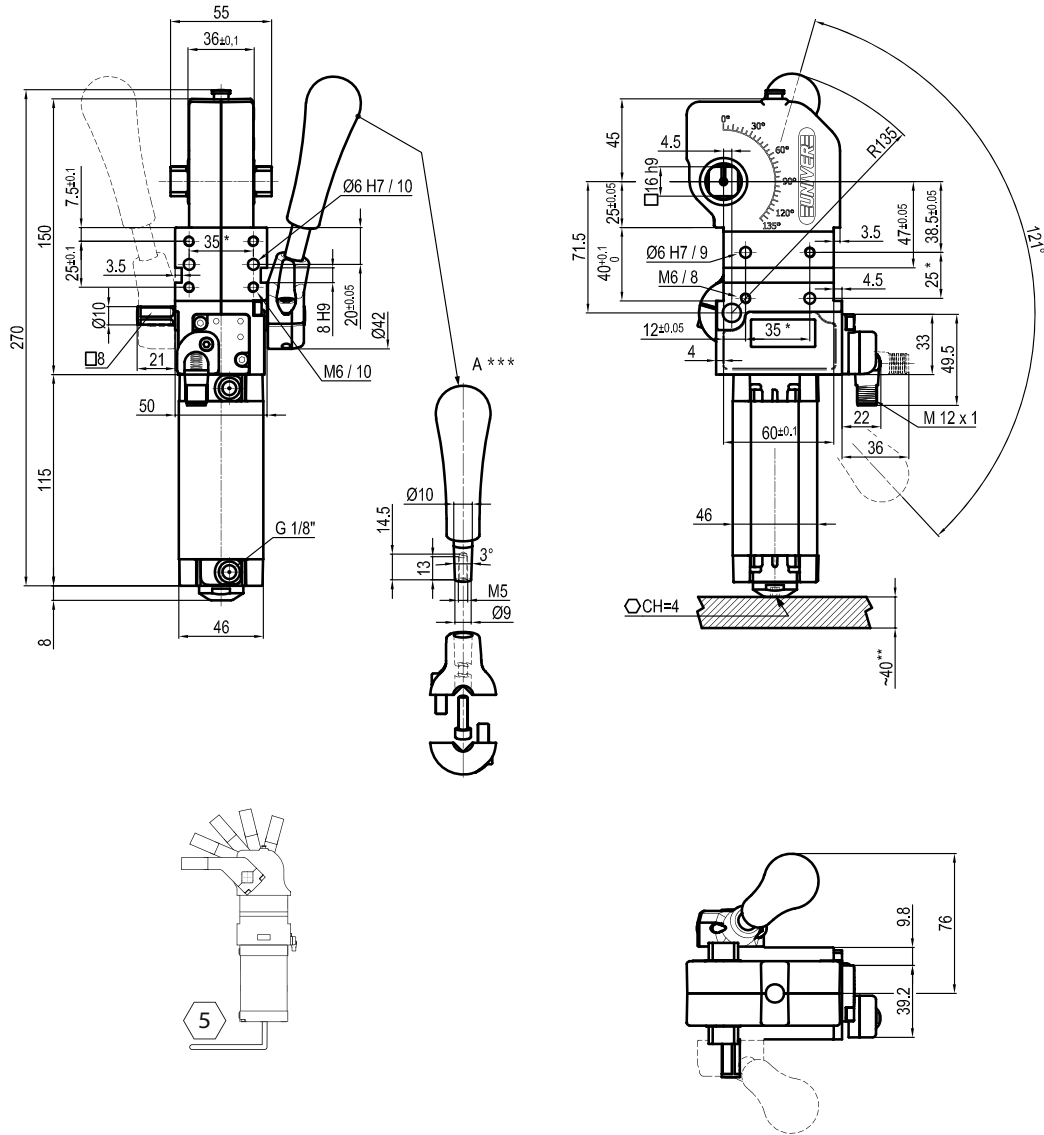
PRODUCT REVISION

Assigned by UNIVER

10

ATEX

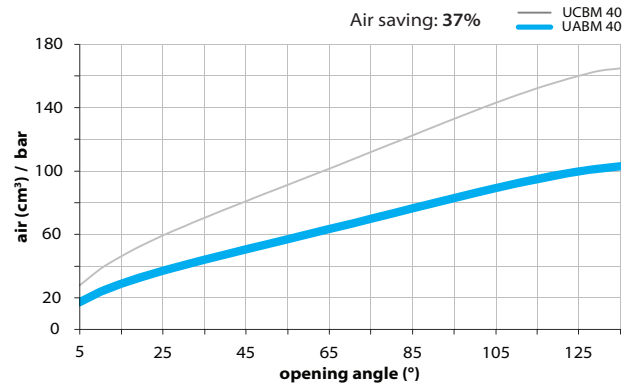
X = ATEX option
See ATEX Catalogue for types and versions



**TOLERANCE BETWEEN DOWELS $\pm 0,02$ BETWEEN SCREW HOLES $\pm 0,1$
 **AREA TO ACCESS ANGLE ADJUSTMENT
 ***DIMENSIONS TO BE RESPECTED IN CASE OTHER MANUAL LEVERS ARE USED

Air Consumption per Cycle

Compared with standard version

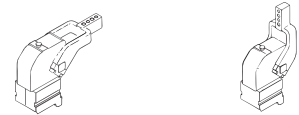
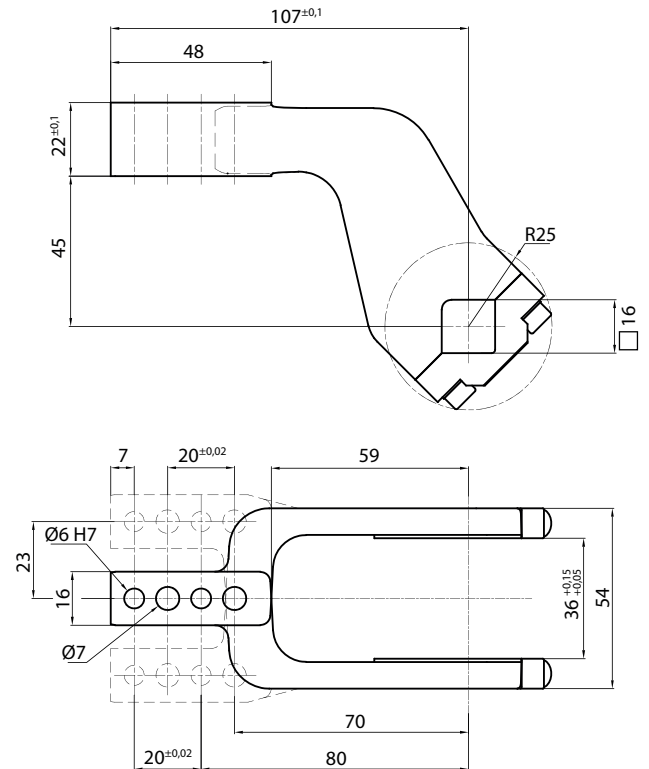
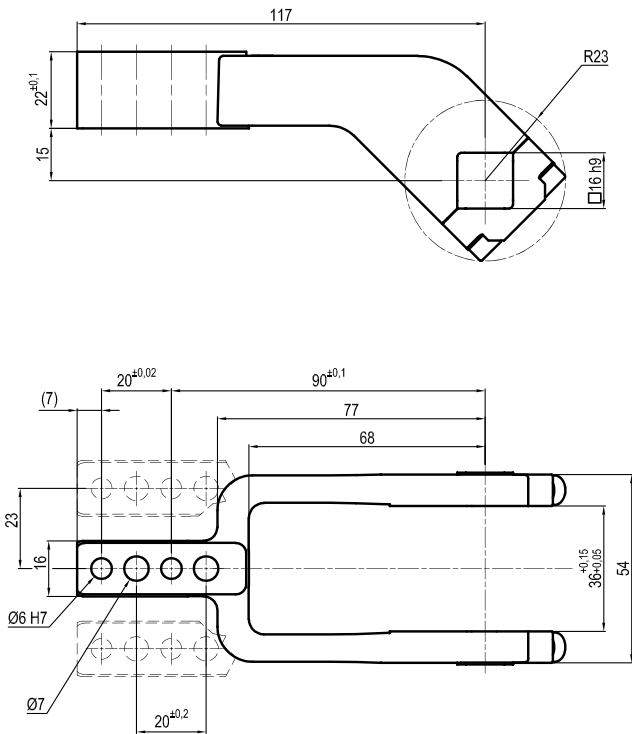


Clamping Arms

Arm Offset 15mm

Arm Offset 45mm

2



Armcode	Offset	Material	Arm style	Weight (Kg)	Opening angle (90°)	Opening angle (180°)
LKP01CST	15	ALUMINIUM	CENTRAL	0,2	0±95°	0±95°
LKP01DST	15	ALUMINIUM	RIGHT	0,2	0±95°	0±95°
LKP01SST	15	ALUMINIUM	LEFT	0,2	0±95°	0±95°
UP120151441S	15	STEEL	CENTRAL	0,4	0±95°	0±95°
UP120151442S	15	STEEL	RIGHT	0,4	0±95°	0±95°
UP120151443S	15	STEEL	LEFT	0,4	0±95°	0±95°
UKP01E	45	ALUMINIUM	CENTRAL	0,25	0±95°	0±95°
UKP01F	45	ALUMINIUM	RIGHT	0,25	0±95°	0±95°
UKP01L	45	ALUMINIUM	LEFT	0,25	0±95°	0±95°
UKP01ES	45	STEEL	CENTRAL	0,4	0±95°	0±95°
UKP01FS	45	STEEL	RIGHT	0,4	0±95°	0±95°
UKP01LS	45	STEEL	LEFT	0,4	0±95°	0±95°

Sensors



Electronic (optical)

DF-K PNP M12
DF-J NPN M12
DF-Y PNP M12 White LED

Accessories



Handlever

UBF2540



Self holding system

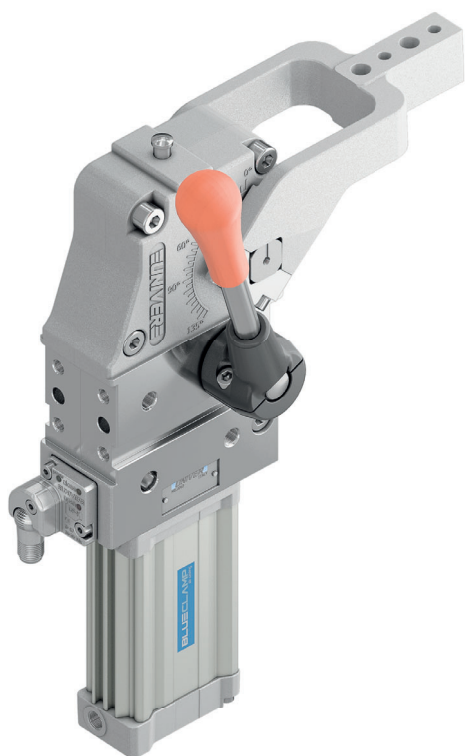
UBK46P16 For arm 15 offset
UBK46P16-45 For arm 45 offset

UABM 50

Air saving pneumatic power clamps size 50, with hand lever

AIR SAVING Pneumatic power clamps with compensation system, toggle-joint mechanism and stepless adjustable opening angle. The special construction enables a relevant reduction in air consumption, without affecting standard performances required from the market.

- Air consumption saving up to 35%
- Reduced dimensions compared to standard power clamps
- Integrated compensation
- Hand lever mount on both sides
- Fully optical electronic sensor
- Fixing pattern on 4 sides
- Manual unlocking in case of air loss
- Self-holding system for open position available
- Clamping arm in aluminium or steel



CHARACTERISTICS

Operating temperature	5° ÷ 45° C
Min./Max. Operating pressure	0,4 / 0,6 MPa
Opening angle*	0° ÷ 135°
Size	50
Cylinder bore Ø	40 mm
Holding moment	1250 Nm
Clamping moment (0,5 MPa)	170 Nm
Weight (clamping arm not included)	3 Kg
Pneumatic supply ports	G1/4 on both sides
Sensor	electronic (optical)
Supply voltage	10 ÷ 30 Vdc
IP code	IP65

*The opening angle range may vary according to the arm position and style.

CODIFICATION KEY

UA	B	M	50	O	E	A	K	0	
1	2	3	4	5	6	7	8	9	10



AIR SAVING



COMPENSATION



LIGHTWEIGHT



IRREVERSIBLE



ANGLE ADJUSTMENT



OPTICAL SENSOR



COMPACT

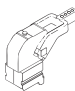
1 SERIES
UA = BLUECLAMP Power clamps air saving

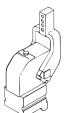
2 STANDARD
B = European standard


3 VERSION
M = Pneumatic with hand lever

4 SIZE
50 = Size 50 (Cylinder Ø40 mm)

5 ARM POSITION

V = 90° 

O = 180° 

N = No arm 

6 ARM STYLE
C = Central, 15 mm offset
D = Right, 15 mm offset
S = Right, 15 mm offset
E = Central, 45 mm offset
F = Central, 45 mm offset
L = Central, 45 mm offset
N = No arm
For other versions contact our Sales Dept.

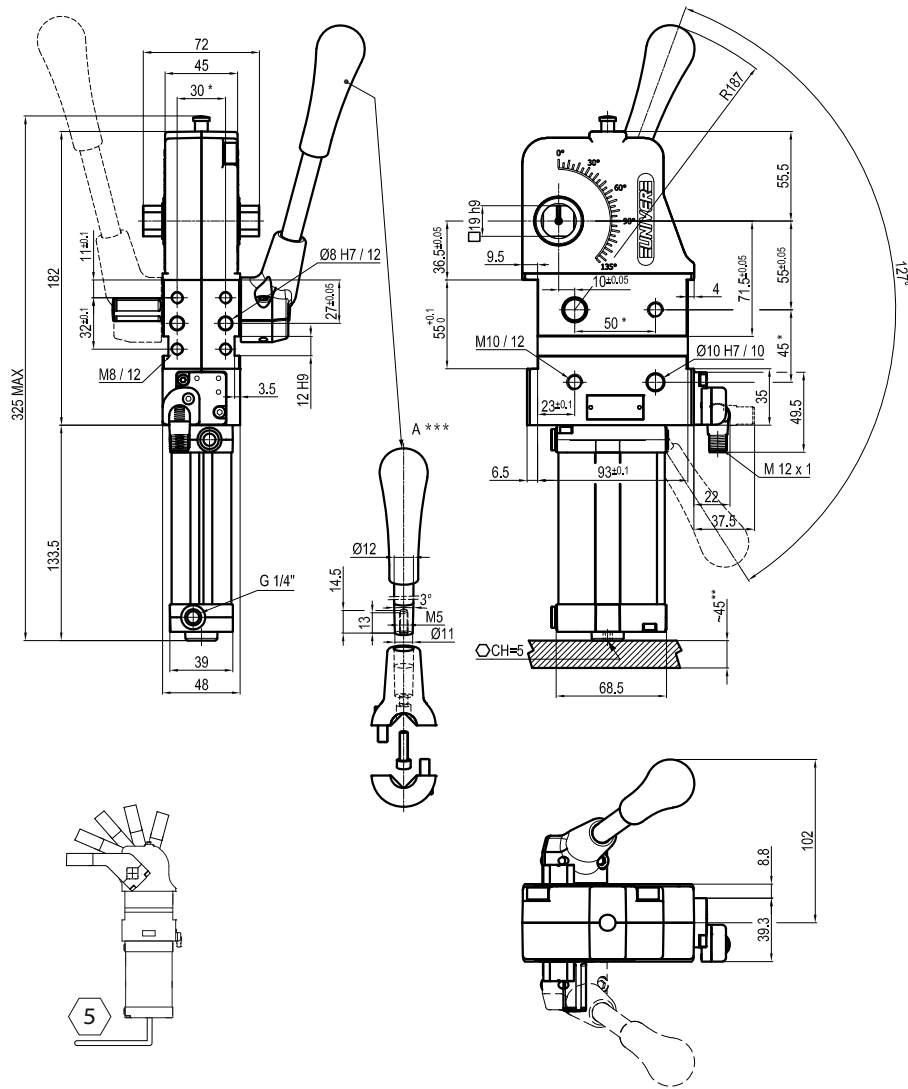
7 ARM TYPE
A = Aluminium
S = Steel
N = No arm

8 SENSOR
N = No sensor (with protection plate)
K = Electronic sensor PNP (M12) (DF-K)
J = Electronic sensor NPN (optical) (DF-J)
Y = Electronic sensor PNP (M12) (DF-Y) white LED

9 PRODUCT REVISION
Assigned by UNIVER

10 ATEX
X = ATEX option
See ATEX Catalogue for types and versions

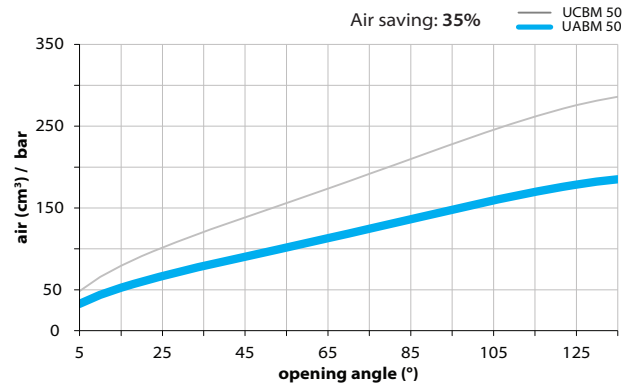
2



*TOLERANCE BETWEEN DOWELS $\pm 0,02$ BETWEEN SCREW HOLES $\pm 0,1$
 **AREA TO ACCESS ANGLE ADJUSTMENT
 ***DIMENSIONS TO BE RESPECTED IN CASE OTHER MANUAL LEVERS ARE USED

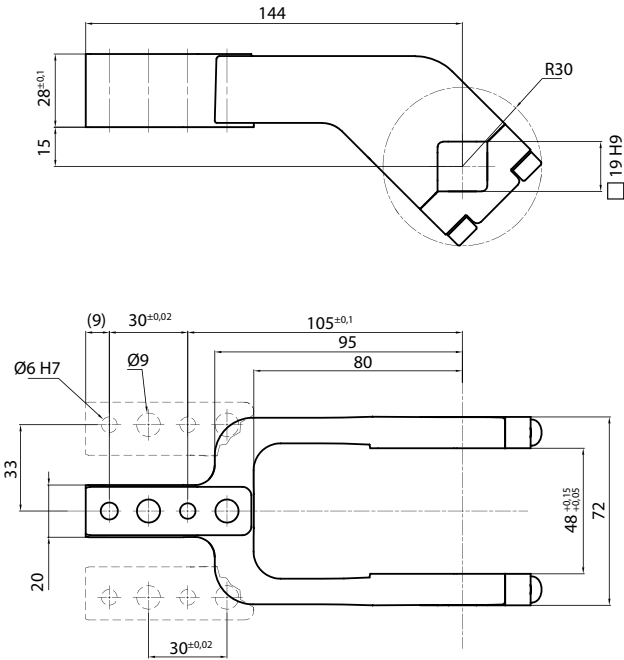
Air Consumption per Cycle

Compared with standard version

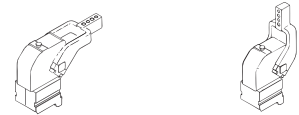
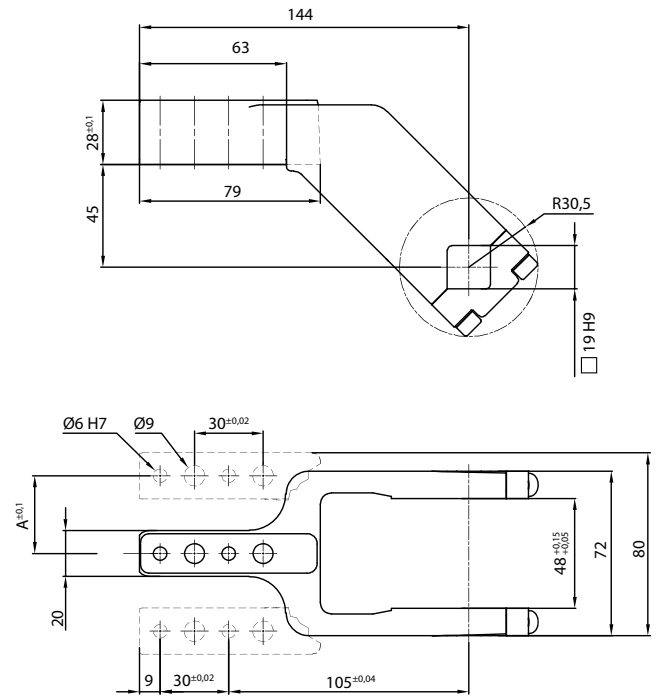


Clamping Arms

Arm Offset 15mm



Arm Offset 45mm



Armcode	Offset	Material	Arm style	Weight (Kg)	Opening angle (90°)	Opening angle (180°)
LKP00CL	15	ALUMINIUM	CENTRAL	0,4	0±135°	0±105°
LKP00DL	15	ALUMINIUM	RIGHT	0,4	0±135°	0±105°
LKP00SL	15	ALUMINIUM	LEFT	0,4	0±135°	0±105°
UP210151441G	15	STEEL	CENTRAL	0,8	0±135°	0±105°
UP210151442G	15	STEEL	RIGHT	0,8	0±135°	0±105°
UP210151443G	15	STEEL	LEFT	0,8	0±135°	0±105°
UKP5063E	45	ALUMINIUM	CENTRAL	0,45	0±135°	0±135°
UKP50F	45	ALUMINIUM	RIGHT	0,45	0±135°	0±135°
UKP50L	45	ALUMINIUM	LEFT	0,45	0±135°	0±135°
UKP5063ES	45	STEEL	CENTRAL	1,16	0±135°	0±135°
UKP50FS	45	STEEL	RIGHT	1,16	0±135°	0±135°
UKP50LS	45	STEEL	LEFT	1,16	0±135°	0±135°

Sensors



Electronic (optical)

- DF-K PNP M12
- DF-J NPN M12
- DF-Y PNP M12 White LED

Accessories



Handlever

UBF255063



Self holding system

UBK46P19

UABM 63

Air saving pneumatic power clamps size 63, with hand lever

AIR SAVING pneumatic power clamps with compensation system, toggle-joint mechanism and stepless adjustable opening angle. The special construction enables a relevant reduction in air consumption, without affecting standard performances required from the market.

- Air consumption saving up to 27%
- Reduced dimensions compared to standard power clamps
- Integrated compensation
- Hand lever mount on both sides
- Fully optical electronic sensor
- Fixing pattern on 4 sides
- Manual unlocking in case of air loss
- Self-holding system for open position available
- Clamping arm in aluminium or steel

CHARACTERISTICS

Operating temperature	5° ÷ 45° C
Min./Max. Operating pressure	0,4 / 0,6 MPa
Opening angle*	0° ÷ 135°
Size	63
Cylinder bore Ø	50 mm
Holding moment	1750 Nm
Clamping moment (0,5 MPa)	380 Nm
Weight (clamping arm not included)	3,8 Kg
Pneumatic supply ports	G1/4 on both sides
Sensor	electronic (optical)
Supply voltage	10 ÷ 30 Vdc
IP code	IP65

*The opening angle range may vary according to the arm position and style.

CODIFICATION KEY

UA	B	M	63	O	E	A	K	0	
1	2	3	4	5	6	7	8	9	10



AIR SAVING



COMPENSATION



LIGHTWEIGHT



IRREVERSIBLE



ANGLE ADJUSTMENT



OPTICAL SENSOR



COMPACT

1 SERIES
UA = BLUECLAMP Power clamps air saving

2 STANDARD
B = European standard

3 VERSION
M = Pneumatic with hand lever

4 SIZE
63 = Size 63 (Cylinder Ø50 mm)

5 ARM POSITION

V = 90°



O = 180°



N = No arm



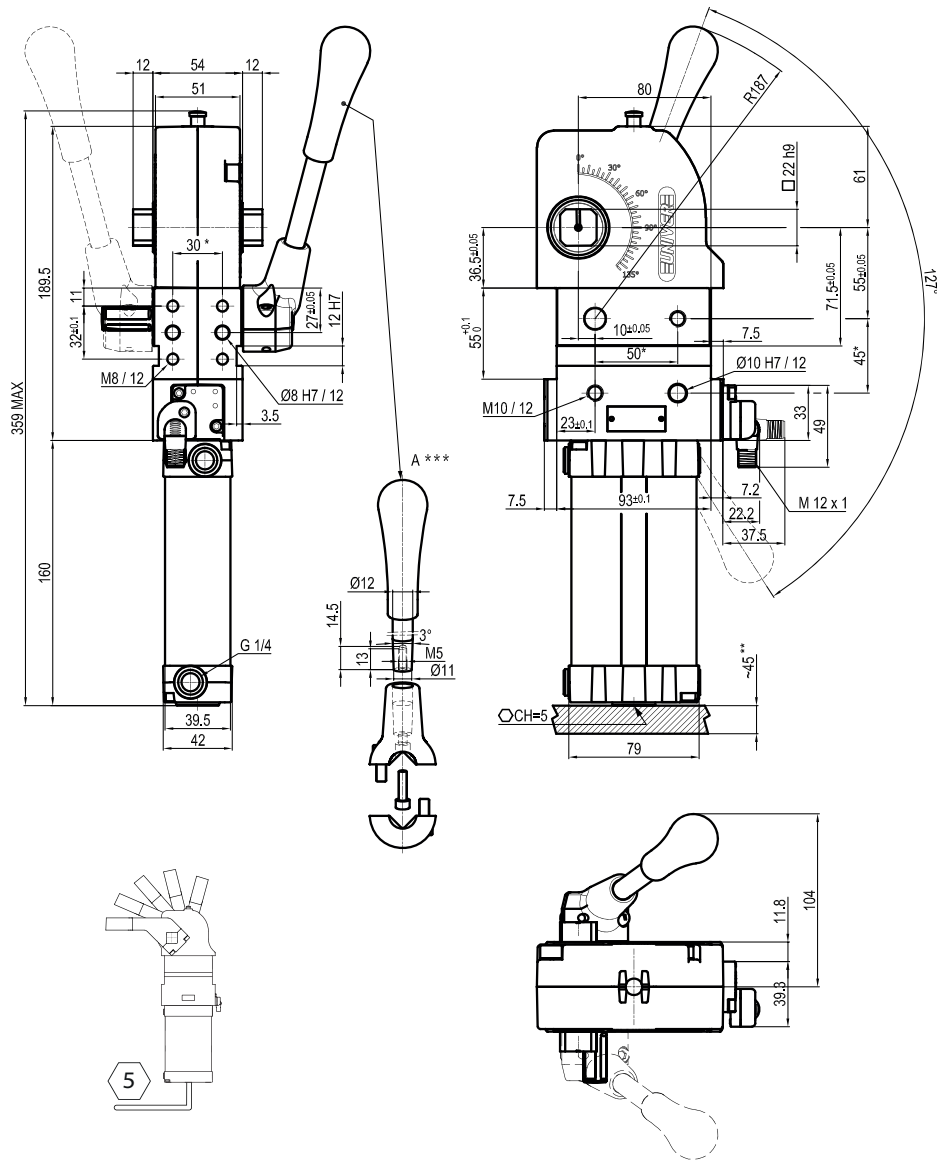
6 ARM STYLE
C = Central, 15 mm offset
D = Right, 15 mm offset
S = Right, 15 mm offset
E = Central, 45 mm offset
F = Central, 45 mm offset
L = Central, 45 mm offset
N = No arm
For other versions contact our Sales Dept.

7 ARM TYPE
A = Aluminium
S = Steel
N = No arm

8 SENSOR
N = No sensor (with protection plate)
K = Electronic sensor PNP (M12) (DF-K)
J = Electronic sensor NPN (optical) (DF-J)
Y = Electronic sensor PNP (M12) (DF-Y) white LED

9 PRODUCT REVISION
Assigned by UNIVER

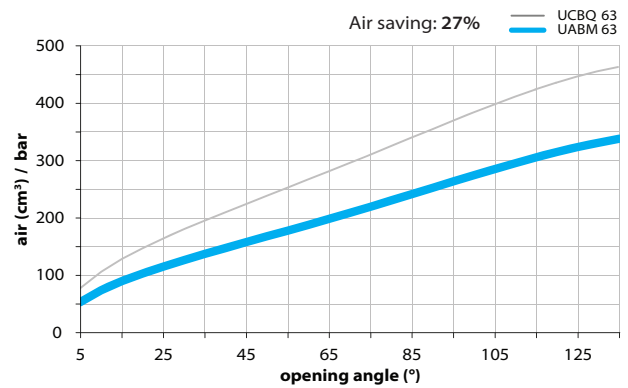
10 ATEX
X = ATEX option
See ATEX Catalogue for types and versions



*TOLERANCE BETWEEN DOWELS ± 0,02 BETWEEN SCREW HOLES ± 0,1
 **AREA TO ACCESS ANGLE ADJUSTMENT
 ***DIMENSIONS TO BE RESPECTED IN CASE OTHER MANUAL LEVERS ARE USED

Air Consumption per Cycle

Compared with standard version

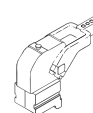
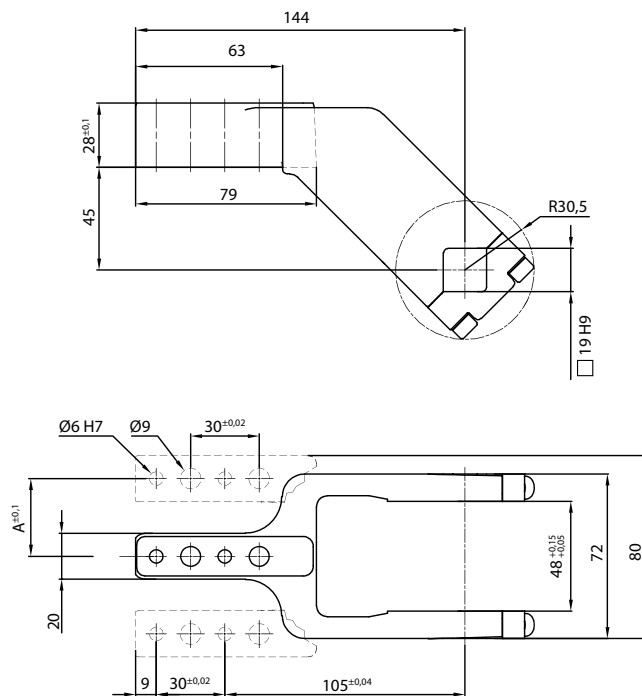
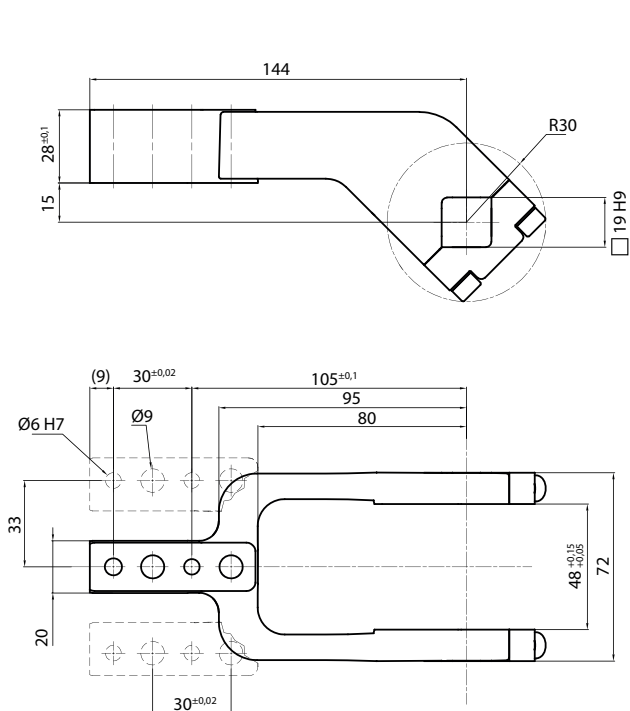


Clamping Arms

Arm Offset 15mm

Arm Offset 45mm

2



Armcode	Offset	Material	Arm style	Weight (Kg)	Opening angle (90°)	Opening angle (180°)
UP310151441A	15	ALUMINIUM	CENTRAL	0,3	0÷135°	0÷105°
UP310151442A	15	ALUMINIUM	RIGHT	0,3	0÷135°	0÷105°
UP310151443A	15	ALUMINIUM	LEFT	0,3	0÷135°	0÷105°
UP310151441S	15	STEEL	CENTRAL	1,2	0÷135°	0÷105°
UP310151442S	15	STEEL	RIGHT	1,2	0÷135°	0÷105°
UP310151443S	15	STEEL	LEFT	1,2	0÷135°	0÷105°
UP310451441A	45	ALUMINIUM	CENTRAL	0,3	0÷135°	0÷135°
UP310451442A	45	ALUMINIUM	RIGHT	0,3	0÷135°	0÷135°
UP310451443A	45	ALUMINIUM	LEFT	0,3	0÷135°	0÷135°
UP310451441S	45	STEEL	CENTRAL	1,4	0÷135°	0÷135°
UP310451442S	45	STEEL	RIGHT	1,4	0÷135°	0÷135°
UP310451443S	45	STEEL	LEFT	1,4	0÷135°	0÷135°

Sensors



Electronic (optical)

- DF-K PNP M12
- DF-J NPN M12
- DF-Y PNP M12 White LED

Accessories



Handlever

UBF255063



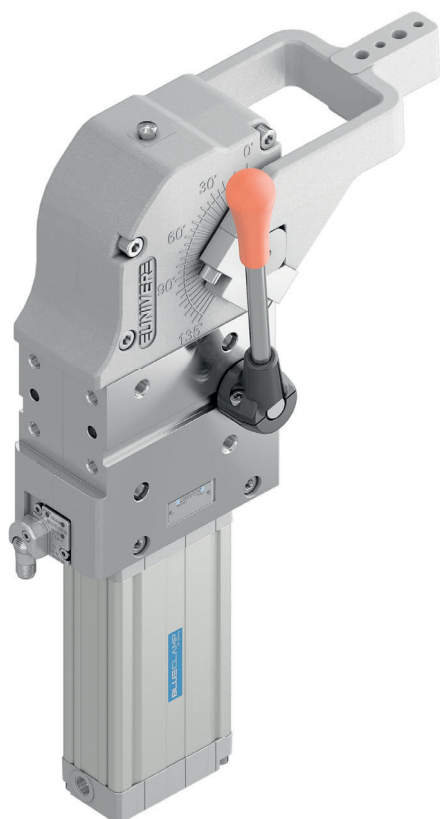
Self holding system

UBK46P22

UABM 80

Air saving pneumatic power clamps size 80, with hand lever

AIR SAVING pneumatic power clamps with compensation system, toggle-joint mechanism and stepless adjustable opening angle. The special construction enables a relevant reduction in air consumption, without affecting standard performances required from the market.



- Air consumption saving up to 38%
- Reduced dimensions compared to standard power clamps
- Integrated compensation
- Hand lever mount on both sides
- Fully optical electronic sensor
- Fixing pattern on 4 sides
- Manual unlocking in case of air loss
- Self-holding system for open position available
- Clamping arm in aluminium or steel

CHARACTERISTICS

Operating temperature	5° ÷ 45° C
Min./Max. Operating pressure	0,4 / 0,6 MPa
Opening angle*	0° ÷ 135°
Size	80
Cylinder bore Ø	63 mm
Holding moment	4000 Nm
Clamping moment (0,5 MPa)	880 Nm
Weight (clamping arm not included)	7,5 Kg
Pneumatic supply ports	G1/4 on both sides
Sensor	electronic (optical)
Supply voltage	10 ÷ 30 Vdc
IP code	IP65

*The opening angle range may vary according to the arm position and style.

CODIFICATION KEY

UA	B	M	80	O	E	A	K	0	
1	2	3	4	5	6	7	8	9	10



AIR SAVING



COMPENSATION



LIGHTWEIGHT



IRREVERSIBLE



ANGLE ADJUSTMENT



OPTICAL SENSOR



COMPACT

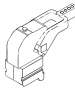
1 SERIES
UA = BLUECLAMP Power clamps air saving

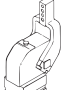
2 STANDARD
B = European standard


3 VERSION
M = Pneumatic with hand lever

4 SIZE
80 = Size 80 (Cylinder Ø63 mm)

5 ARM POSITION

V = 90° 

O = 180° 

N = No arm 

6 ARM STYLE
C = Central, 20 mm offset
D = Right, 20 mm offset
S = Right, 20 mm offset
E = Central, 45 mm offset
F = Central, 45 mm offset
L = Central, 45 mm offset
P = Double, 20 mm offset
N = No arm
For other versions contact our Sales Dept.

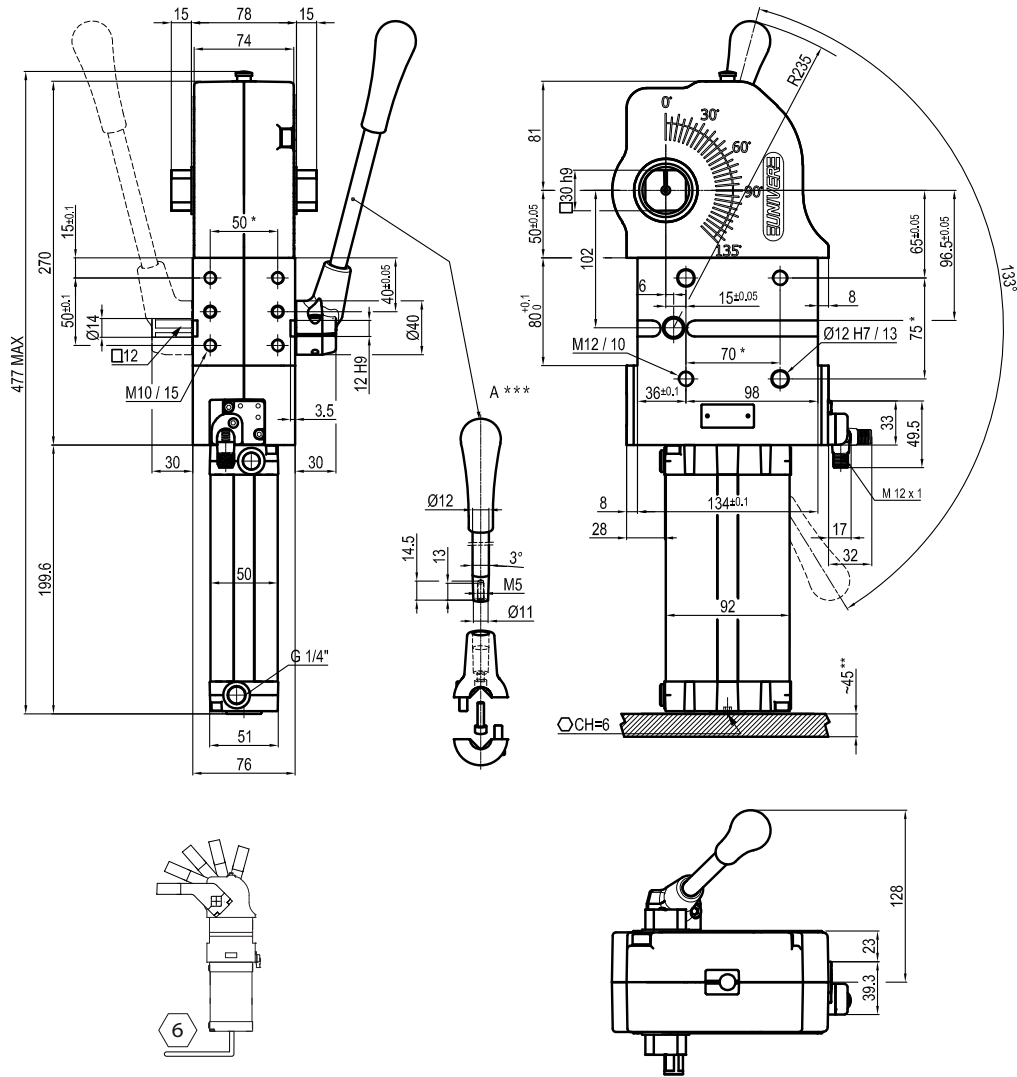
7 ARM TYPE
A = Aluminium
S = Steel
N = No arm

8 SENSOR
N = No sensor (with protection plate)
K = Electronic sensor PNP (M12) (DF-K)
J = Electronic sensor NPN (optical) (DF-J)
Y = Electronic sensor PNP (M12) (DF-Y) white LED

9 PRODUCT REVISION
Assigned by UNIVER

10 ATEX
X = ATEX option
See ATEX Catalogue for types and versions

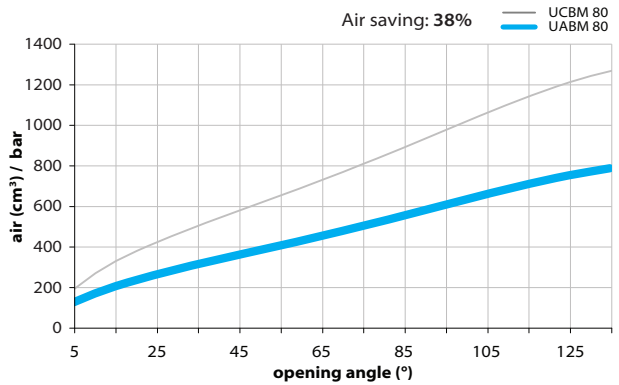
2



*TOLERANCE BETWEEN DOWELS $\pm 0,02$ BETWEEN SCREW HOLES $\pm 0,1$
 **AREA TO ACCESS ANGLE ADJUSTMENT
 ***DIMENSIONS TO BE RESPECTED IN CASE OTHER MANUAL LEVERS ARE USED

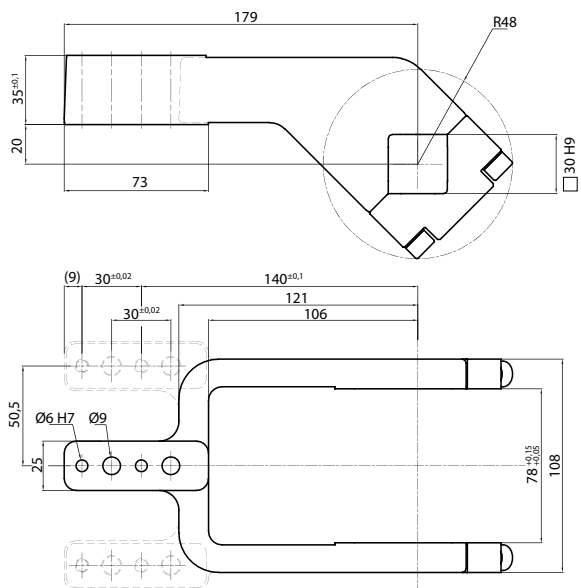
Air Consumption per Cycle

Compared with standard version

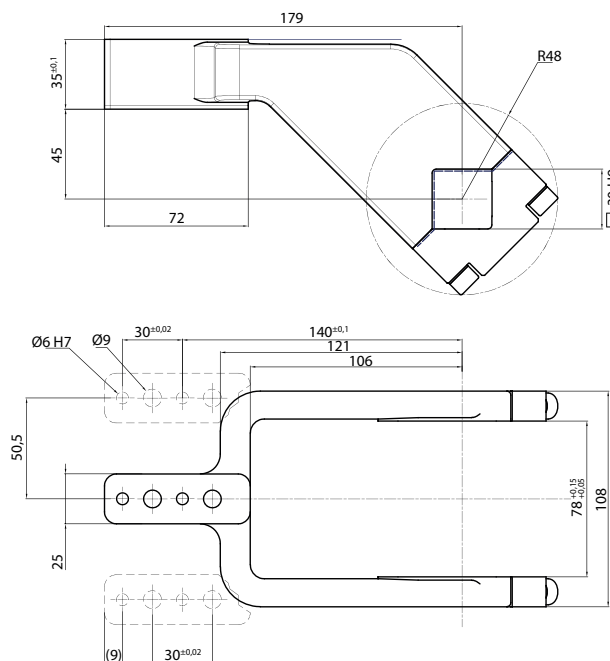


Clamping Arms

Arm Offset 20mm



Arm Offset 45mm



2



Armcode	Offset	Material	Arm style	Weight (Kg)	Opening angle (90°)	Opening angle (180°)
LKP80C	20	ALUMINIUM	CENTRAL	0,6	0±135°	0±105°
LKP80D	20	ALUMINIUM	RIGHT	0,6	0±135°	0±105°
LKP80S	20	ALUMINIUM	LEFT	0,6	0±135°	0±105°
UKP80CS	20	STEEL	CENTRAL	2,3	0±135°	0±105°
UKP80DS	20	STEEL	RIGHT	2,3	0±135°	0±105°
UKP80SS	20	STEEL	LEFT	2,3	0±135°	0±105°
UKP80E	45	ALUMINIUM	CENTRAL	0,6	0±135°	0±125°
UKP80F	45	ALUMINIUM	RIGHT	0,6	0±135°	0±125°
UKP80L	45	ALUMINIUM	LEFT	0,6	0±135°	0±125°
UKP80ES	45	STEEL	CENTRAL	2,2	0±135°	0±125°
UKP80FS	45	STEEL	RIGHT	2,2	0±135°	0±125°
UKP80LS	45	STEEL	LEFT	2,2	0±135°	0±125°

Sensors



Electronic (optical)

- DF-K PNP M12
- DF-J NPN M12
- DF-Y PNP M12 White LED

Accessories



Handlever

UBF2580



Self holding system

UBK46P30

UANP 50

Air saving pneumatic power clamps conforming to the NAAMS standard, size 50

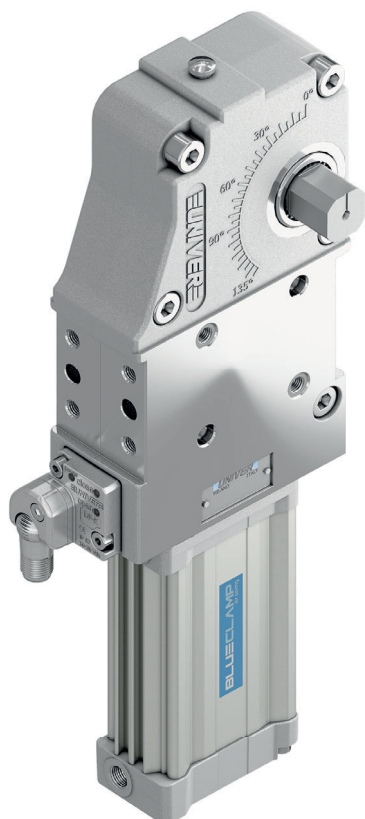
AIR SAVING pneumatic power clamps size 50, conforming to the NAAMS standard, with compensation system, toggle-joint mechanism and stepless adjustable opening angle. The special construction enables a relevant reduction in air consumption, without affecting standard performances required from the market.

- Air consumption saving up to 35%
- Reduced dimensions compared to standard power clamps
- Integrated compensation
- Version with hand lever available
- Fully optical electronic sensor
- Fixing pattern on 4 sides
- Manual unlocking in case of air loss
- Drive shaft for wishbone or blade arms

CHARACTERISTICS

Operating temperature	5° ÷ 45° C
Min./Max. Operating pressure	0,4/0,6 Mpa
Opening angle*	0° ÷ 135°
Size	50
Cylinder bore Ø	40 mm
Holding moment	1250 Nm
Clamping moment (0,5 MPa)	170 Nm
Weight (clamping arm not included)	2,3 Kg
Pneumatic supply ports	1/4 on both sides
Sensor	electronic (optical)
Supply voltage	10 ÷ 30 Vdc
IP code	IP65

*The opening angle range may vary according to the arm position and style.



AIR SAVING



COMPENSATION



LIGHTWEIGHT



IRREVERSIBLE



ANGLE ADJUSTMENT




OPTICAL SENSOR



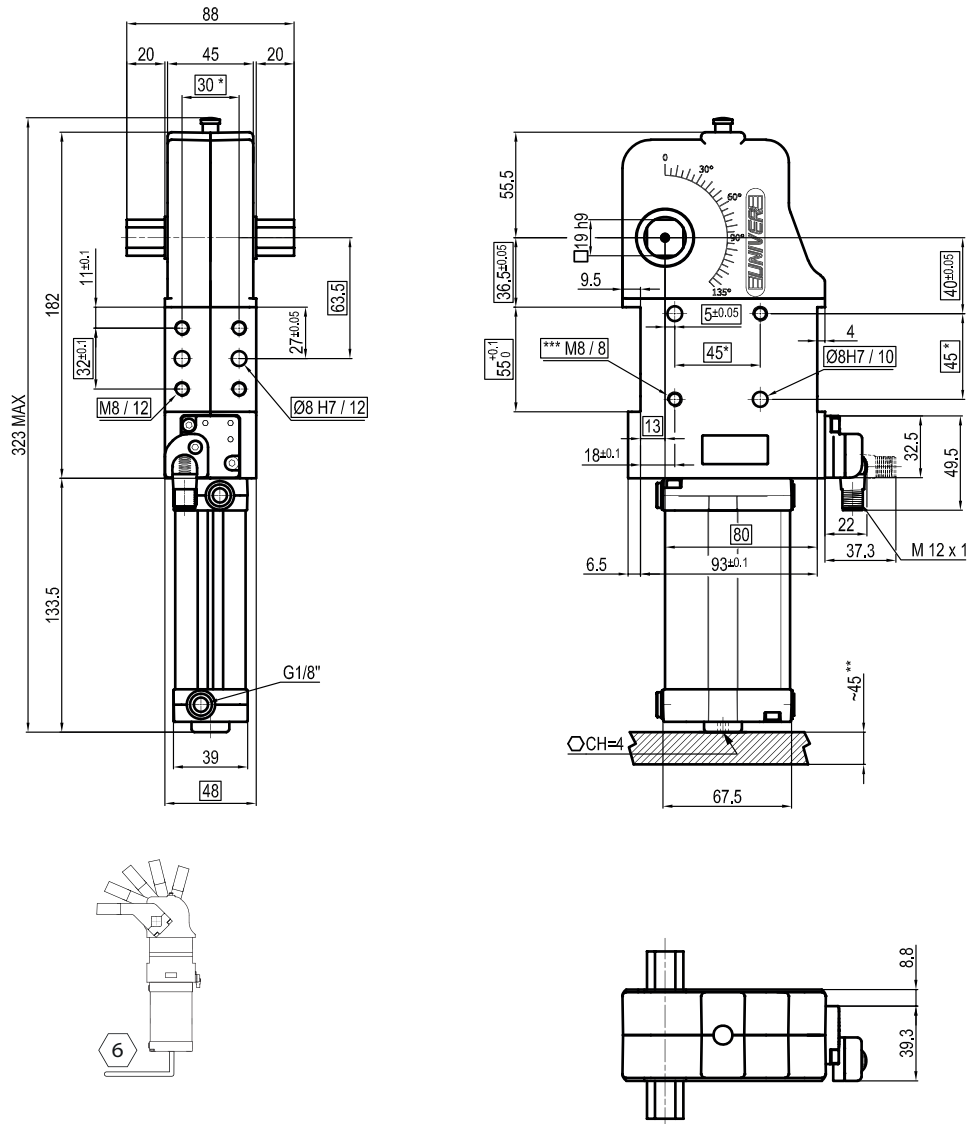
COMPACT

CODIFICATION KEY

UA | N | P | 50 | N | N | K | G | 0 | 10

1	SERIES UA = BLUECLAMP Power clamps air saving	6	SQUARE SHAFT R = Right side only L = Left side only N = Both sides
2	STANDARD N = NAAMS Standard	7	SENSOR N = No sensor (with protection plate) K = Electronic sensor PNP, M12 (DF-K)
3	VERSION P = Pneumatic	8	PORT THREAD G = Gas
4	SIZE 50 = Size 50 (Cylinder Ø40 mm)	9	PRODUCT REVISION Assigned by UNIVER
5	ARM POSITION N = No arm 	10	ATEX X = ATEX option See ATEX Catalogue for types and versions

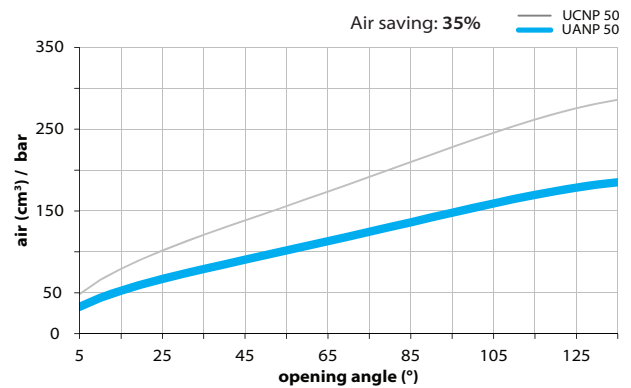
For clamping arms according to NAAMS standard, please contact our Sales Dept.



*TOLERANCE BETWEEN DOWELS ± 0,02 BETWEEN SCREW HOLES ± 0,1
 **AREA TO ACCESS ANGLE ADJUSTMENT
 ***SCREW THREAD INSERT

Air Consumption per Cycle

Compared with standard version



Sensors



Electronic (optical)

- DF-K** PNP M12
- DF-J** NPN M12
- DF-Y** PNP M12 White LED

Accessories



Self holding system

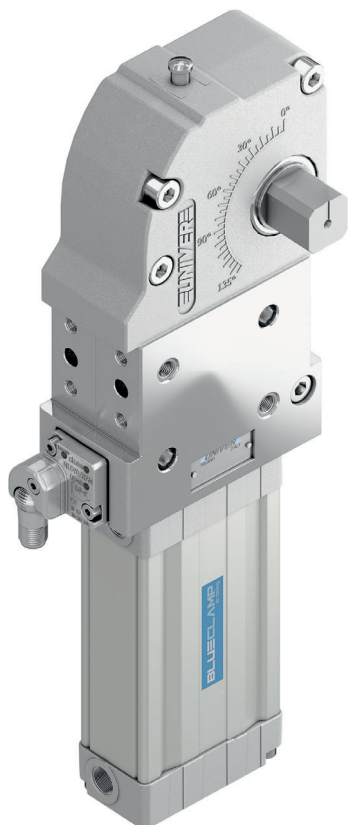
- UBK46P19N** For blade arms
- UBK46P19ND** For wishbone arms

UANP 63

Air saving pneumatic power clamps conforming to the NAAMS standard, size 63

AIR SAVING pneumatic power clamps size 63, conforming to the NAAMS standard, with compensation system, toggle-joint mechanism and stepless adjustable opening angle. The special construction enables a relevant reduction in air consumption, without affecting standard performances required from the market.

- Air consumption saving up to 38%
- Reduced dimensions compared to standard power clamps
- Integrated compensation
- Version with hand lever available
- Fully optical electronic sensor
- Fixing pattern on 4 sides
- Manual unlocking in case of air loss
- Drive shaft for wishbone or blade arms




CHARACTERISTICS

Operating temperature	5° ÷ 45° C
Min./Max. Operating pressure	0,4/0,6 Mpa
Opening angle*	0° ÷ 135°
Size	63
Cylinder bore Ø	50 mm
Holding moment	1750 Nm
Clamping moment (0,5 MPa)	380 Nm
Weight (clamping arm not included)	3,2 Kg
Pneumatic supply ports	1/4 on both sides
Sensor	electronic (optical)
Supply voltage	10 ÷ 30 Vdc
IP code	IP65

*The opening angle range may vary according to the arm position and style.

CODIFICATION KEY

UA | N | P | 63 | N | N | K | G | 0 | |
1 | 2 | 3 | 4 | 5 | 6 | 7 | 8 | 9 | 10

1	SERIES UA = BLUECLAMP Power clamps air saving	6	SQUARE SHAFT R = Right side only L = Left side only N = Both sides
2	STANDARD N = NAAMS Standard	7	SENSOR N = No sensor (with protection plate) K = Electronic sensor PNP, M12 (DF-K)
3	VERSION P = Pneumatic	8	PORT THREAD G = Gas N = NTP
4	SIZE 63 = Size 63 (Cylinder Ø50 mm)	9	PRODUCT REVISION Assigned by UNIVER
5	ARM POSITION N = No arm 	10	ATEX X = ATEX option See ATEX Catalogue for types and versions

For clamping arms according to NAAMS standard, please contact our Sales Dept.



AIR SAVING



COMPENSATION



LIGHTWEIGHT



IRREVERSIBLE



ANGLE ADJUSTMENT

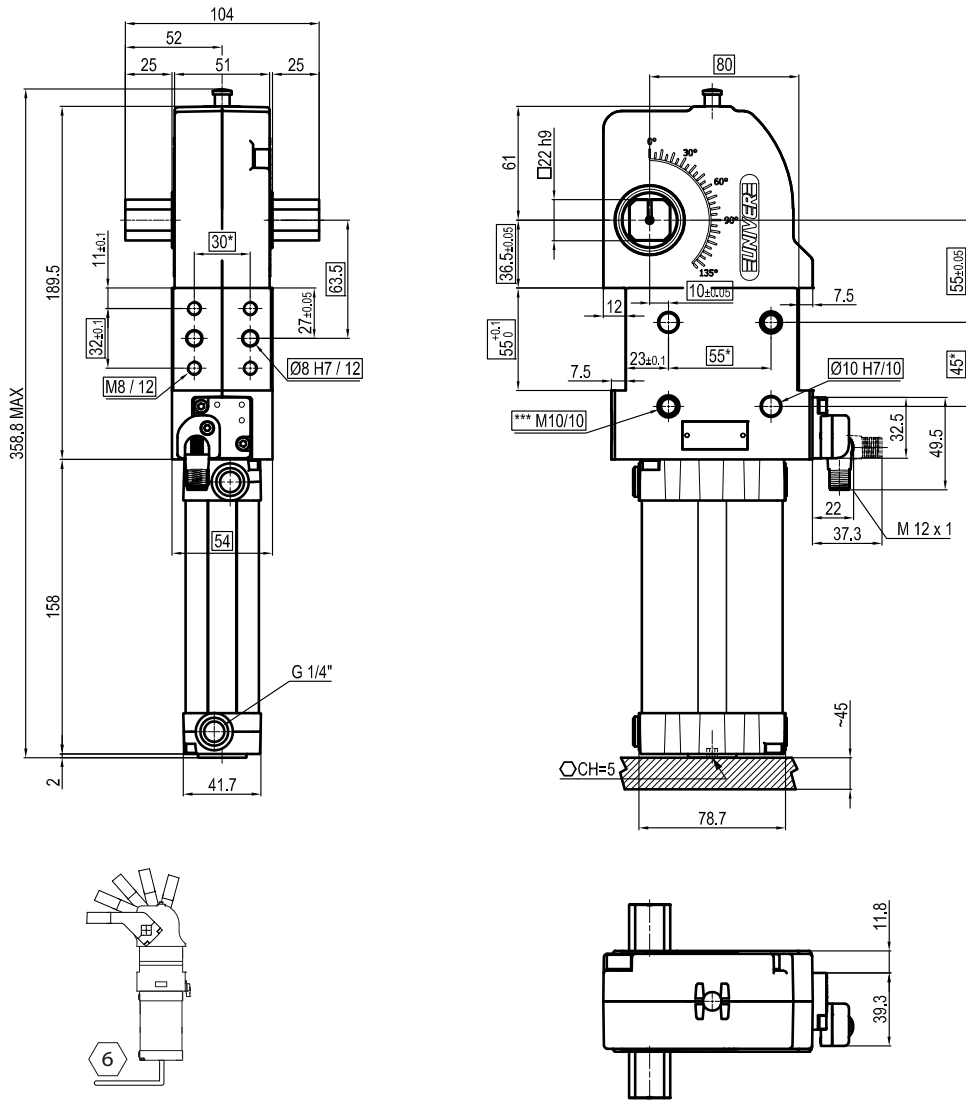


OPTICAL SENSOR



COMPACT

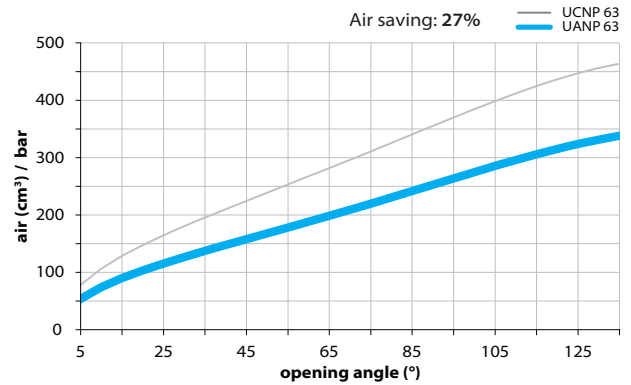
2



*TOLERANCE BETWEEN DOWELS $\pm 0,02$ BETWEEN SCREW HOLES $\pm 0,1$
 **AREA TO ACCESS ANGLE ADJUSTMENT
 ***SCREW THREAD INSERT

Air Consumption per Cycle

Compared with standard version



Sensors



Electronic (optical)

- DF-K** PNP M12
- DF-J** NPN M12
- DF-Y** PNP M12 White LED

Accessories



Self holding system

- UBK46P22N** For blade arms
- UBK46P22ND** For wishbone arms

UANP 80

Air saving pneumatic power clamps conforming to the NAAMS standard, size 80

AIR SAVING pneumatic power clamps size 80, conforming to the NAAMS standard, with compensation system, toggle-joint mechanism and stepless adjustable opening angle. The special construction enables a relevant reduction in air consumption, without affecting standard performances required from the market.

- Air consumption saving up to 38%
- Reduced dimensions compared to standard power clamps
- Integrated compensation
- Version with hand lever available
- Fully optical electronic sensor or pneumatic sensor
- Fixing pattern on 4 sides
- Manual unlocking in case of air loss
- Drive shaft for wishbone or blade arms

CHARACTERISTICS


Operating temperature	5° ÷ 45° C
Min./Max. Operating pressure	0,4/0,6 Mpa
Opening angle*	0° ÷ 135°
Size	80
Cylinder bore Ø	63 mm
Holding moment	4000 Nm
Clamping moment (0,5 MPa)	880 Nm
Weight (clamping arm not included)	7 Kg
Pneumatic supply ports	1/4 on both sides
Sensor	electronic (optical)
Supply voltage	10 ÷ 30 Vdc
IP code	

*The opening angle range may vary according to the arm position and style.



CODIFICATION KEY

1	2	3	4	5	6	7	8	9	10
UA	N	P	80	N	N	K	G	0	

1	SERIES UA = BLUECLAMP Power clamps air saving	6	SQUARE SHAFT R = Right side only L = Left side only N = Both sides
2	STANDARD N = NAAMS Standard	7	SENSOR N = No sensor (with protection plate) K = Electronic sensor PNP, M12 (DF-K)
3	VERSION P = Pneumatic	8	PORT THREAD G = Gas N = NTP
4	SIZE 80 = Size 80 (Cylinder Ø63 mm)	9	PRODUCT REVISION Assigned by UNIVER
5	ARM POSITION N = No arm 	10	ATEX X = ATEX option See ATEX Catalogue for types and versions
For clamping arms according to NAAMS standard, please contact our Sales Dept.			



AIR SAVING



COMPENSATION



LIGHTWEIGHT



IRREVERSIBLE



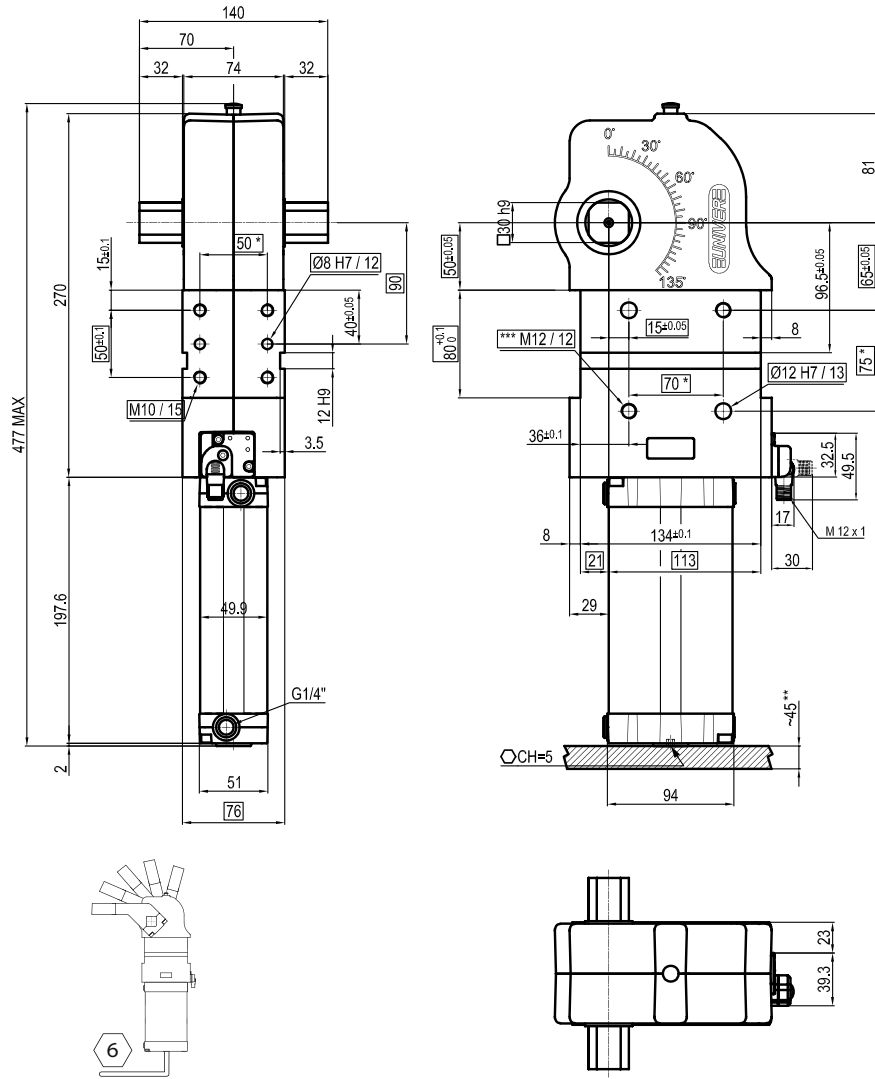
ANGLE ADJUSTMENT



OPTICAL SENSOR



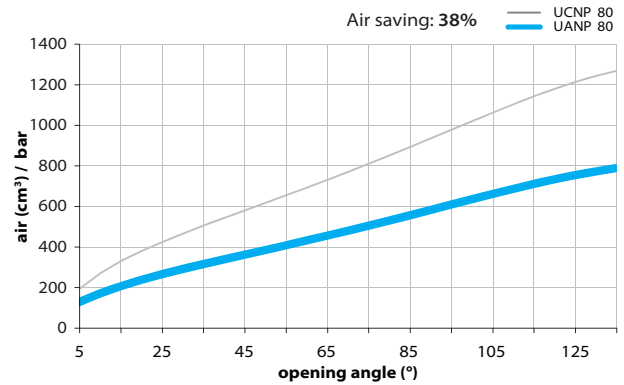
COMPACT



*TOLERANCE BETWEEN DOWELS $\pm 0,02$ BETWEEN SCREW HOLES $\pm 0,1$
 **AREA TO ACCESS ANGLE ADJUSTMENT
 ***SCREW THREAD INSERT

Air Consumption per Cycle

Compared with standard version



Sensors



Electronic (optical)

- DF-K PNP M12
- DF-J NPN M12
- DF-Y PNP M12 White LED

Accessories



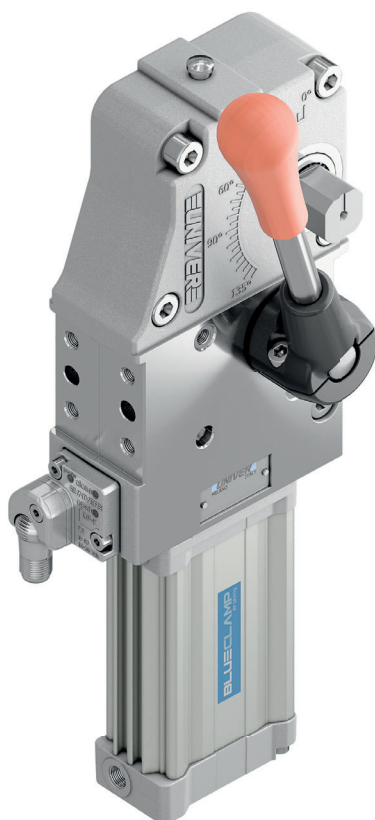
Self holding system

- UBK46P30N For blade arms
- UBK46P30ND For wishbone arms

UANM 50

Air saving pneumatic power clamps conforming to the NAAMS standard, size 50 with hand lever

AIR SAVING pneumatic power clamps size 50, conforming to the NAAMS standard, with compensation system, toggle-joint mechanism and stepless adjustable opening angle. The special construction enables a relevant reduction in air consumption, without affecting standard performances required from the market.



- Air consumption saving up to 35%
- Reduced dimensions compared to standard power clamps
- Integrated compensation
- Hand lever mount on both sides
- Fully optical electronic sensor
- Fixing pattern on 4 sides
- Manual unlocking in case of air loss


CHARACTERISTICS

Operating temperature	5° ÷ 45° C
Min./Max. Operating pressure	0,4/0,6 Mpa
Opening angle*	0° ÷ 135°
Size	50
Cylinder bore Ø	40 mm
Holding moment	1250 Nm
Clamping moment (0,5 MPa)	170 Nm
Weight (clamping arm not included)	3 Kg
Pneumatic supply ports	1/4 on both sides
Sensor	electronic (optical)
Supply voltage	10 ÷ 30 Vdc
IP code	IP65

*The opening angle range may vary according to the arm position and style.

CODIFICATION KEY

1	2	3	4	5	6	7	8	9	10
UA	N	M	50	N	N	K	G	0	

1	SERIES UA = BLUECLAMP Power clamps air saving	6	SQUARE SHAFT R = Right side only L = Left side only N = Both sides
2	STANDARD N = NAAMS Standard	7	SENSOR N = No sensor (with protection plate) K = Electronic sensor PNP, M12 (DF-K)
3	VERSION M = Pneumatic with hand lever	8	PORT THREAD G = Gas
4	SIZE 50 = Size 50 (Cylinder Ø40 mm)	9	PRODUCT REVISION Assigned by UNIVER
5	ARM POSITION N = No arm 	10	ATEX X = ATEX option See ATEX Catalogue for types and versions
For clamping arms according to NAAMS standard, please contact our Sales Dept.			



AIR SAVING



COMPENSATION



LIGHTWEIGHT



IRREVERSIBLE



ANGLE ADJUSTMENT

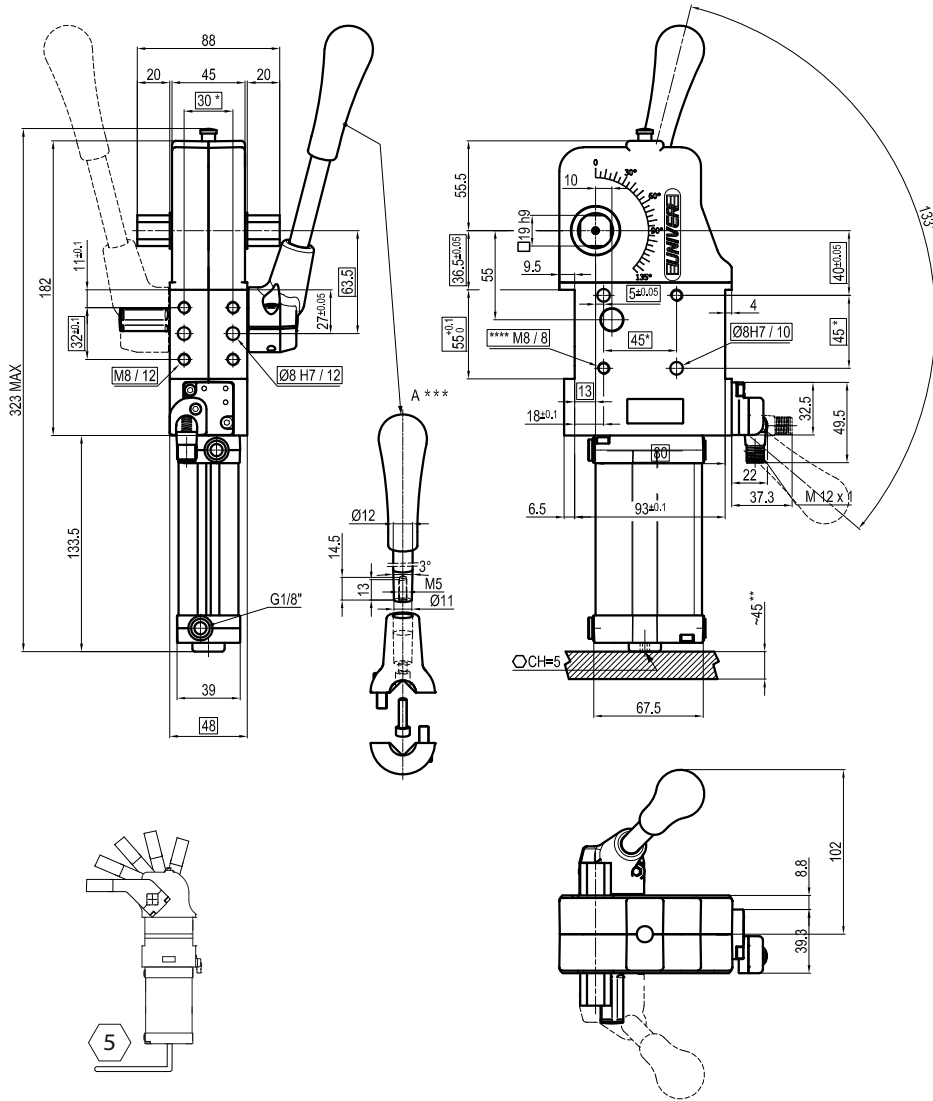


OPTICAL SENSOR



COMPACT

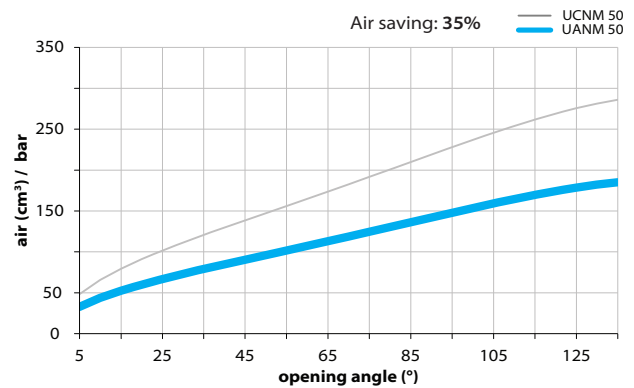
2



*TOLERANCE BETWEEN DOWELS $\pm 0,02$ BETWEEN SCREW HOLES $\pm 0,1$
 **AREA TO ACCESS ANGLE ADJUSTMENT
 ***DIMENSIONS TO BE RESPECTED IN CASE OTHER MANUAL LEVERS ARE USED
 ****SCREW THREAD INSERT

Air Consumption per Cycle

Compared with standard version





Sensors



Electronic (optical)

- DF-K** PNP M12
- DF-J** NPN M12
- DF-Y** PNP M12 White LED

Accessories



Handlever

UBF255063



Self holding system

- UBK46P19N** For blade arms
- UBK46P19ND** For wishbone arms

UANM 63

Air saving pneumatic power clamps conforming to the NAAMS standard, size 63 with hand lever

AIR SAVING pneumatic power clamps size Ø63, conforming to the NAAMS standard, with compensation system, toggle-joint mechanism and stepless adjustable opening angle. The special construction enables a relevant reduction in air consumption, without affecting standard performances required from the market.

- Air consumption saving up to 27%
- Reduced dimensions compared to standard power clamps
- Integrated compensation
- Hand lever mount on both sides
- Fully optical electronic sensor
- Fixing pattern on 4 sides
- Manual unlocking in case of air loss
- Drive shaft for wishbone or blade arms

CHARACTERISTICS


Operating temperature	5° ÷ 45° C
Min./Max. Operating pressure	0,4/0,6 Mpa
Opening angle*	0° ÷ 135°
Size	63
Cylinder bore Ø	50 mm
Holding moment	1750 Nm
Clamping moment (0,5 MPa)	380 Nm
Weight (clamping arm not included)	3,8 Kg
Pneumatic supply ports	1/4 on both sides
Sensor	electronic (optical)
Supply voltage	10 ÷ 30 Vdc
IP code	IP65

*The opening angle range may vary according to the arm position and style.



CODIFICATION KEY

1	2	3	4	5	6	7	8	9	10
UA	N	M	63	N	N	K	G	0	

1	SERIES UA = BLUECLAMP Power clamps air saving	6	SQUARE SHAFT R = Right side only L = Left side only N = Both sides
2	STANDARD N = NAAMS Standard	7	SENSOR N = No sensor (with protection plate) K = Electronic sensor PNP, M12 (DF-K)
3	VERSION M = Pneumatic with hand lever	8	PORT THREAD G = Gas N = NTP
4	SIZE 63 = Size 63 (Cylinder Ø50 mm)	9	PRODUCT REVISION Assigned by UNIVER
5	ARM POSITION N = No arm 	10	ATEX X = ATEX option See ATEX Catalogue for types and versions
For clamping arms according to NAAMS standard, please contact our Sales Dept.			



AIR SAVING



COMPENSATION



LIGHTWEIGHT



IRREVERSIBLE



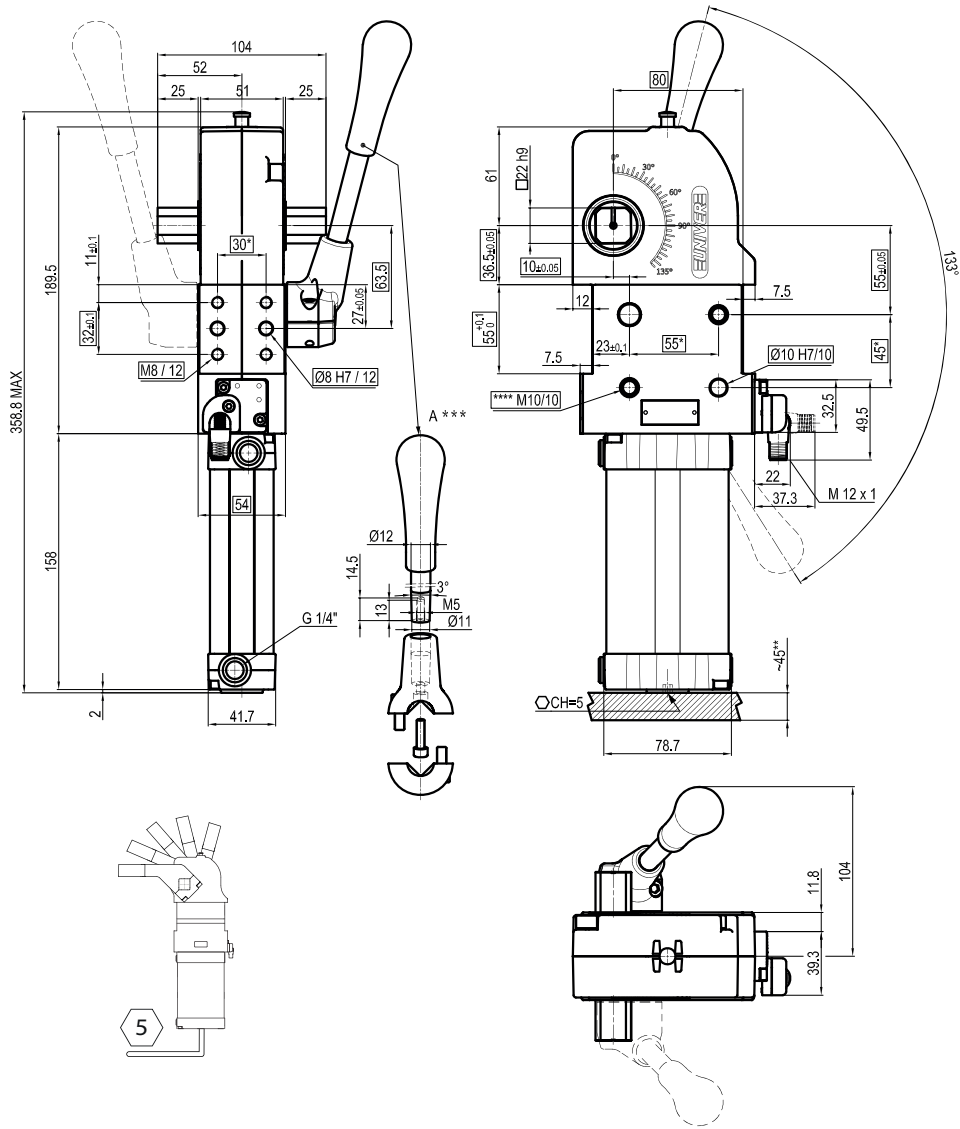
ANGLE ADJUSTMENT



OPTICAL SENSOR



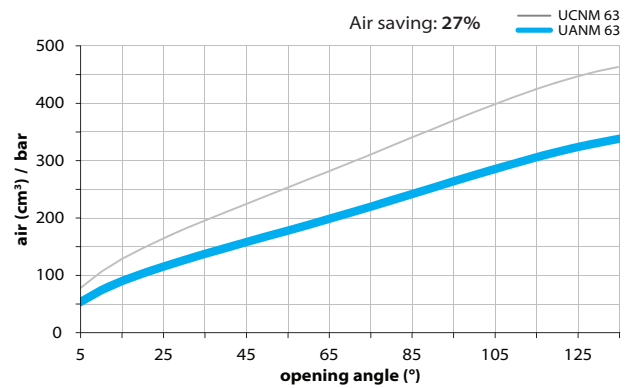
COMPACT



*TOLERANCE BETWEEN DOWELS $\pm 0,02$ BETWEEN SCREW HOLES $\pm 0,1$
 **AREA TO ACCESS ANGLE ADJUSTMENT
 ***DIMENSIONS TO BE RESPECTED IN CASE OTHER MANUAL LEVERS ARE USED
 ****SCREW THREAD INSERT

Air Consumption per Cycle

Compared with standard version





Sensors



Electronic (optical)

DF-K PNP M12
DF-J NPN M12
DF-Y PNP M12 White LED

Accessories



Handlever

UBF255063



Self holding system

UBK46P22N For blade arms
UBK46P22ND For wishbone arms

2

UANM 80

Air saving pneumatic power clamps conforming to the NAAMS standard, size 80 with hand lever

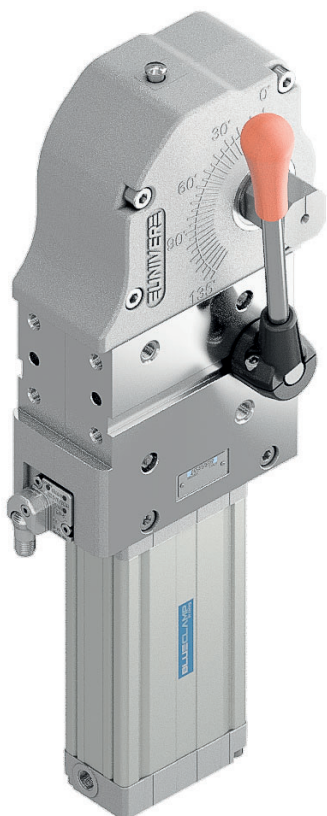
AIR SAVING pneumatic power clamps size 80, conforming to the NAAMS standard, with compensation system, toggle-joint mechanism and stepless adjustable opening angle. The special construction enables a relevant reduction in air consumption, without affecting standard performances required from the market.

- Air consumption saving up to 38%
- Reduced dimensions compared to standard power clamps
- Integrated compensation
- Hand lever mount on both sides
- Fully optical electronic sensor
- Fixing pattern on 4 sides
- Manual unlocking in case of air loss
- Drive shaft for wishbone or blade arms

CHARACTERISTICS

Operating temperature	5° ÷ 45° C
Min./Max. Operating pressure	0,4/0,6 Mpa
Opening angle*	0° ÷ 135°
Size	80
Cylinder bore Ø	63 mm
Holding moment	4000 Nm
Clamping moment (0,5 MPa)	880 Nm
Weight (clamping arm not included)	7,5 Kg
Pneumatic supply ports	1/4 on both sides
Sensor	electronic (optical)
Supply voltage	10 ÷ 30 Vdc
IP code	

*The opening angle range may vary according to the arm position and style.



AIR SAVING



COMPENSATION



LIGHTWEIGHT



IRREVERSIBLE



ANGLE ADJUSTMENT




OPTICAL SENSOR



COMPACT

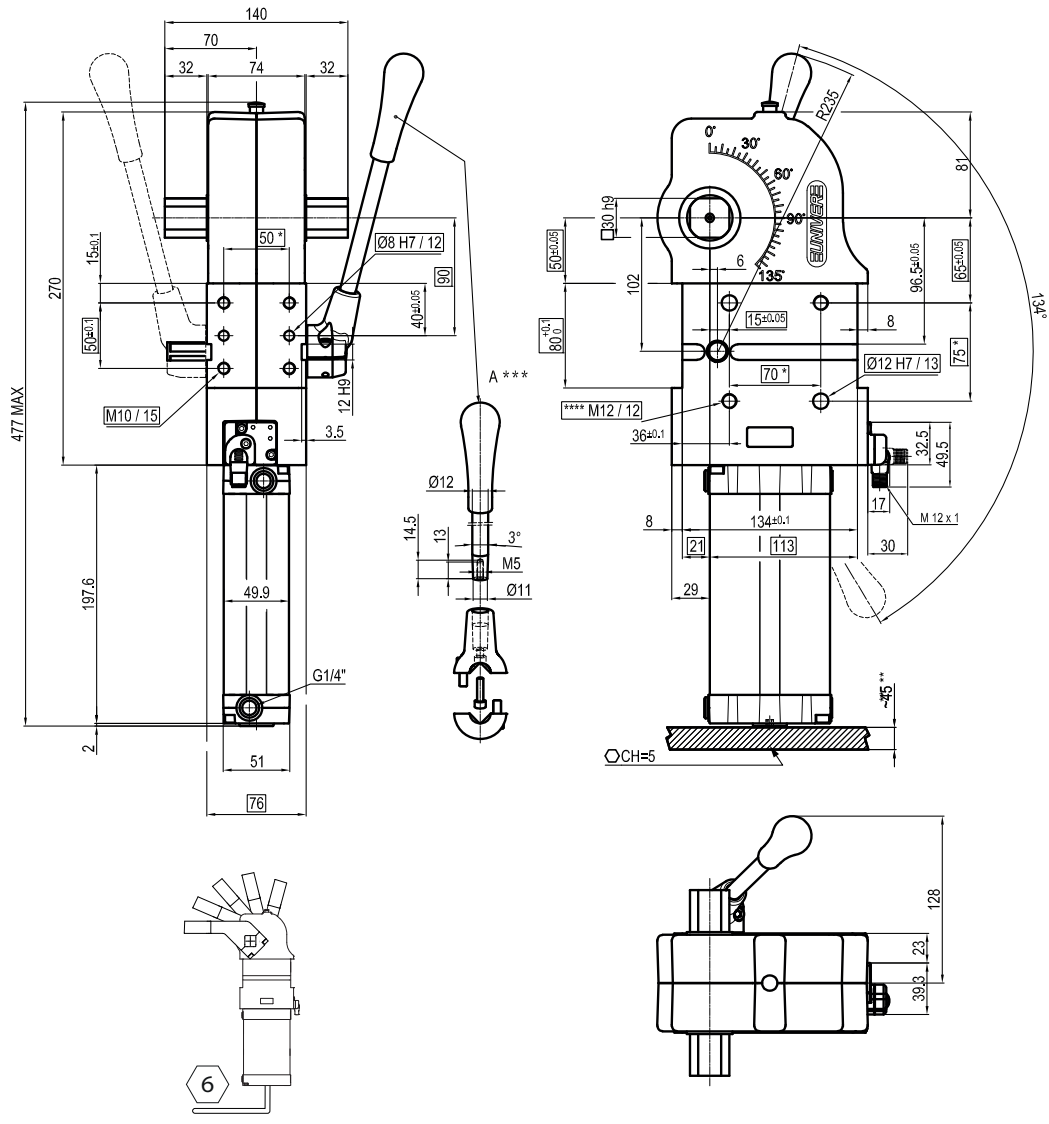
CODIFICATION KEY

UA | N | M | 80 | N | N | K | G | 0 | |
1 | 2 | 3 | 4 | 5 | 6 | 7 | 8 | 9 | 10

1	SERIES UA = BLUECLAMP Power clamps air saving	6	SQUARE SHAFT R = Right side only L = Left side only N = Both sides
2	STANDARD N = NAAMS Standard	7	SENSOR N = No sensor (with protection plate) K = Electronic sensor PNP, M12 (DF-K)
3	VERSION M = Pneumatic with hand lever	8	PORT THREAD G = Gas N = NTP
4	SIZE 80 = Size 80 (Cylinder Ø63 mm)	9	PRODUCT REVISION Assigned by UNIVER
5	ARM POSITION N = No arm 	10	ATEX X = ATEX option See ATEX Catalogue for types and versions

For clamping arms according to NAAMS standard, please contact our Sales Dept.

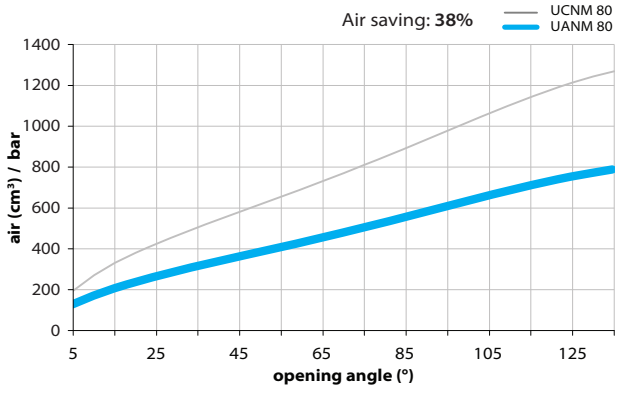
2



*TOLERANCE BETWEEN DOWELS $\pm 0,02$ BETWEEN SCREW HOLES $\pm 0,1$
 **AREA TO ACCESS ANGLE ADJUSTMENT
 ***DIMENSIONS TO BE RESPECTED IN CASE OTHER MANUAL LEVERS ARE USED
 ****SCREW THREAD INSERT

Air Consumption per Cycle

Compared with standard version



Sensors



Electronic (optical)

DF-K PNP M12
DF-J NPN M12
DF-Y PNP M12 White LED

Accessories



Handlever

UBF2580



Self holding system

UBK46P30N For blade arms
UBK46P30ND For wishbone arms

3 UNICLAMP

PNEUMATIC RETRACTABLE
LOCATING PIN UNITS

Single rod Ø32-63mm

ULB32	2
ULP32	5
ULP50	8
ULP63	13
ULR50	18
ULR63	23

Single rod Ø50mm with hand lever

ULM50	28
-------	----

Double rod Ø40-63mm

ULA40	33
ULA63	36

Double rod Ø50mm and hand lever

ULO50	38
-------	----

Irreversible Ø40-50mm

ULZ40	40
ULY40	43
ULT50	46
ULX50	49

Manual Ø50

ULL50	52
-------	----

CNOMO

PNEUMATIC RETRACTABLE
LOCATING PIN UNITS

Standard Ø50-63mm

LCG50	57
LCG63	59

Standard Ø50-63mm with hand lever

LCQ50	61
LCQ63	63

ULB 32

Pneumatic retractable locating pin unit, single rod, Ø32 mm with rear sensor

Pneumatic retractable pin unit, single rod, with rear sensor typically used on grippers and in welding applications to locate metal sheets in a definite position.

- Metal rod scraper
- Antirotation system
- Double guide to avoid backlash
- Optical sensor
- Many rod end styles available
- Sensor placed in rear position to facilitate installation when assembled on EOAT



3

CHARACTERISTICS

Operating temperature	5° ÷ 45° C
Min./Max. operating pressure	0,4 / 0,6 MPa
Bore Ø	32 mm
Max Pull force (0,5 MPa)	300 N
Max Push force (0,5 MPa)	390 N
Max. Torque (6 Nm)	± 0,06 mm
Max. Deflection (5,5 Nm)	± 0,03 mm
Weight	1,0 Kg
Pneumatic supply ports	G 1/8
Sensor	electronic (optical)
Supply voltage	10 ÷ 30 Vdc
IP code	IP 65

CODIFICATION KEY

UL | B | 32 | 040 | B | K | 0 | |

1 2 3 4 5 6 7 8



LIGHTWEIGHT



METAL SCRAPER



OPTICAL SENSOR



DOUBLE GUIDE



ANTI ROTATION



COMPACT

1

SERIES

UL = UNICLAMP locating pin unit

2

VERSION

B = Pneumatic, rear sensor, single rod

3

SIZE

32 = Ø32 mm

4

STROKE

020 = 20 mm

040 = 40 mm

5

ROD END STYLE

B = Rod with profiled end

C = Rod with cross-profiled end inner Ø16 mm

E = Rod with cross-profiled end inner Ø10 mm

6

SENSOR

N = No sensor (with protection plate)

K = Electronic sensor PNP, M12 (DF-K)

J = Electronic sensor NPN, optical (DF-J)

Y = Electronic sensor PNP, M12 (DF-Y) white LED

7

PRODUCT REVISION

Assigned by UNIVER

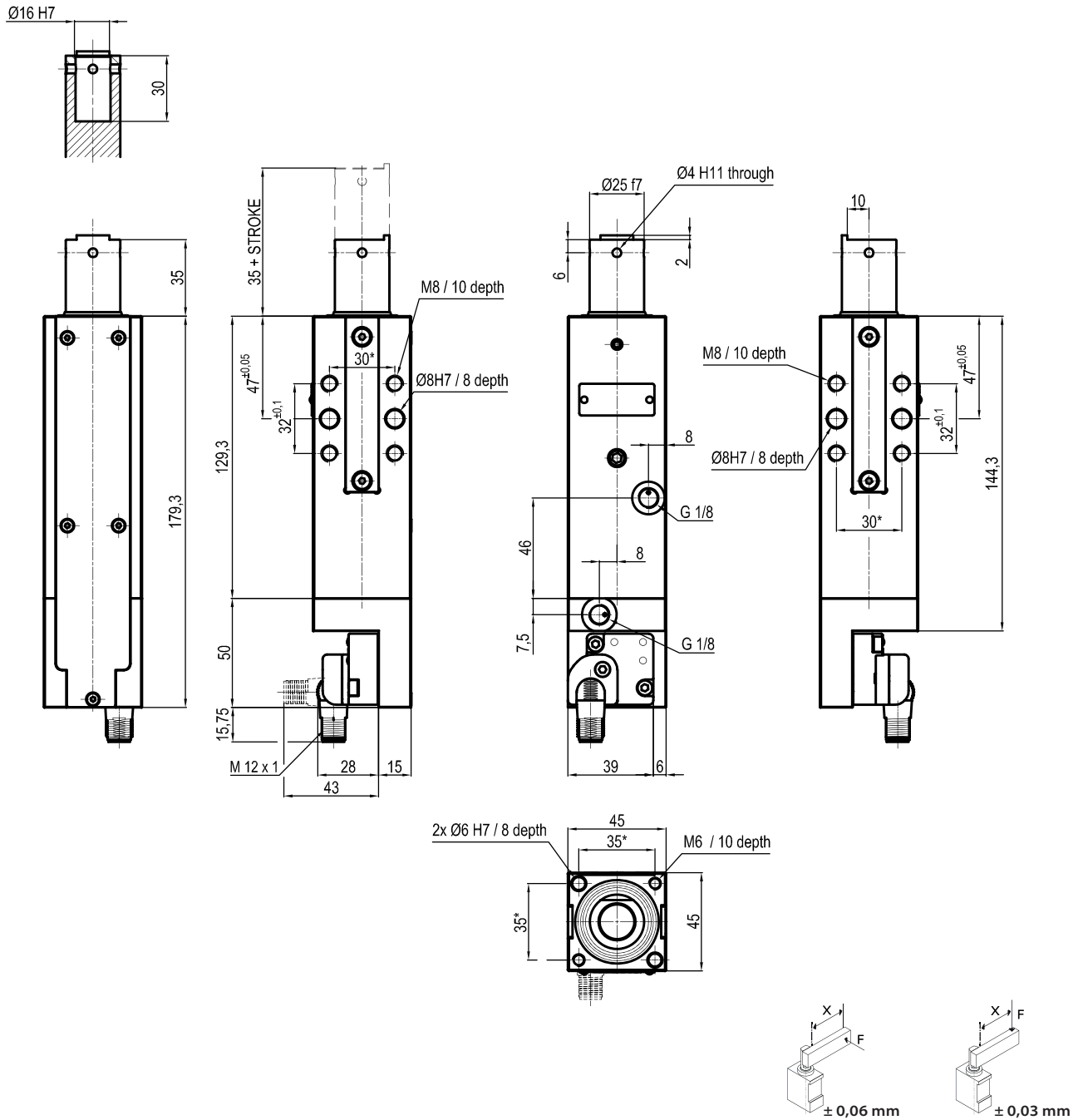
8

ATEX

X = ATEX option

See ATEX Catalogue for types and versions

B Rod with profiled end



*TOLERANCE BETWEEN DOWELS ± 0,02 BETWEEN SCREW HOLES ± 0,1

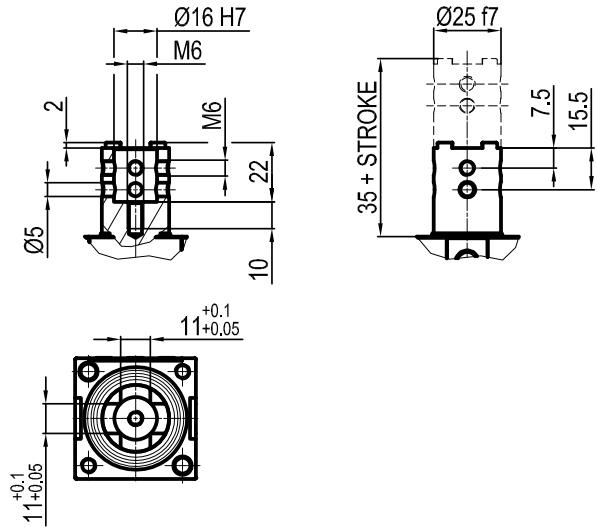
Sensors



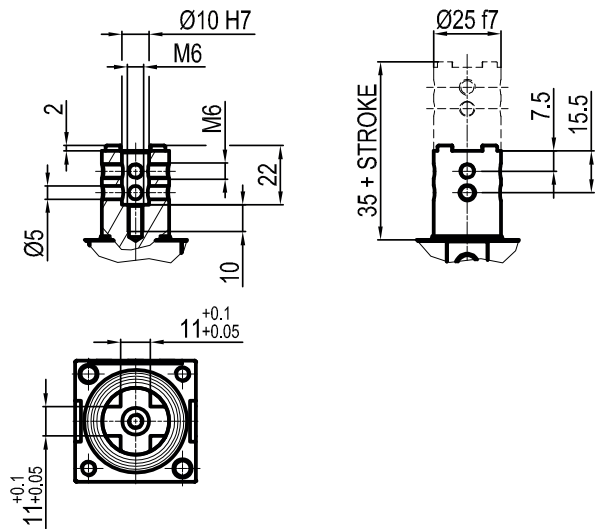
Electronic (optical)

- DF-K PNP M12
- DF-J NPN M12
- DF-Y PNP M12 White LED

C Rod with cross-profiled end
Inner Ø16 mm



E Rod with cross-profiled end
Inner Ø10 mm



ULP 32

Pneumatic retractable locating pin unit, single rod, Ø32 mm

Pneumatic retractable pin unit, single rod, typically used in welding applications to locate metal sheets in a definite position.



- Metal rod scraper
- Antirotation system
- Optical sensor
- Many rod end styles available

3

CHARACTERISTICS

Operating temperature	5° ÷ 45° C
Min./Max. operating pressure	0,4 / 0,6 MPa
Bore Ø	32 mm
Max Pull force (0,5 MPa)	296 N
Max Push force (0,5 MPa)	390 N
Max. Torque (6 Nm)	± 0,06 mm
Max. Deflection (5,5 Nm)	± 0,03 mm
Weight	1,7 Kg
Pneumatic supply ports	G 1/8
Sensor	electronic (optical)
Supply voltage	10 ÷ 30 Vdc
IP code	IP 65

CODIFICATION KEY

UL | P | 32 | 040 | C | X | K | 0 | |

1 2 3 4 5 6 7 8 9

LIGHTWEIGHT

METAL SCRAPER

OPTICAL SENSOR

DOUBLE GUIDE

ANTI ROTATION

COMPACT

1 SERIES
UL = UNICLAMP locating pin unit

2 VERSION
P = Pneumatic, single rod

3 SIZE
32 = Ø32 mm

4 STROKE
020 = 20 mm
040 = 40 mm

5 ROD END STYLE
A = Rod for offset pins
B = Rod with profiled end
C = Rod with cross-profiled end inner Ø16 mm
E = Rod with cross-profiled end inner Ø10 mm

6 ROD ORIENTATION
X = Symmetrical

E* = East

O* = West

N* = North

S* = South

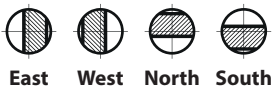
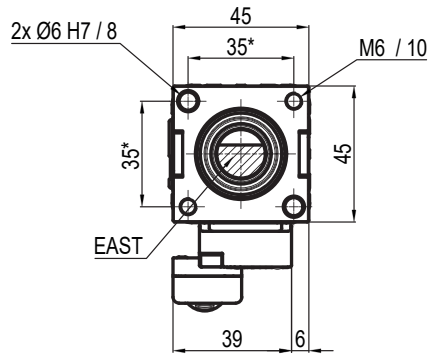
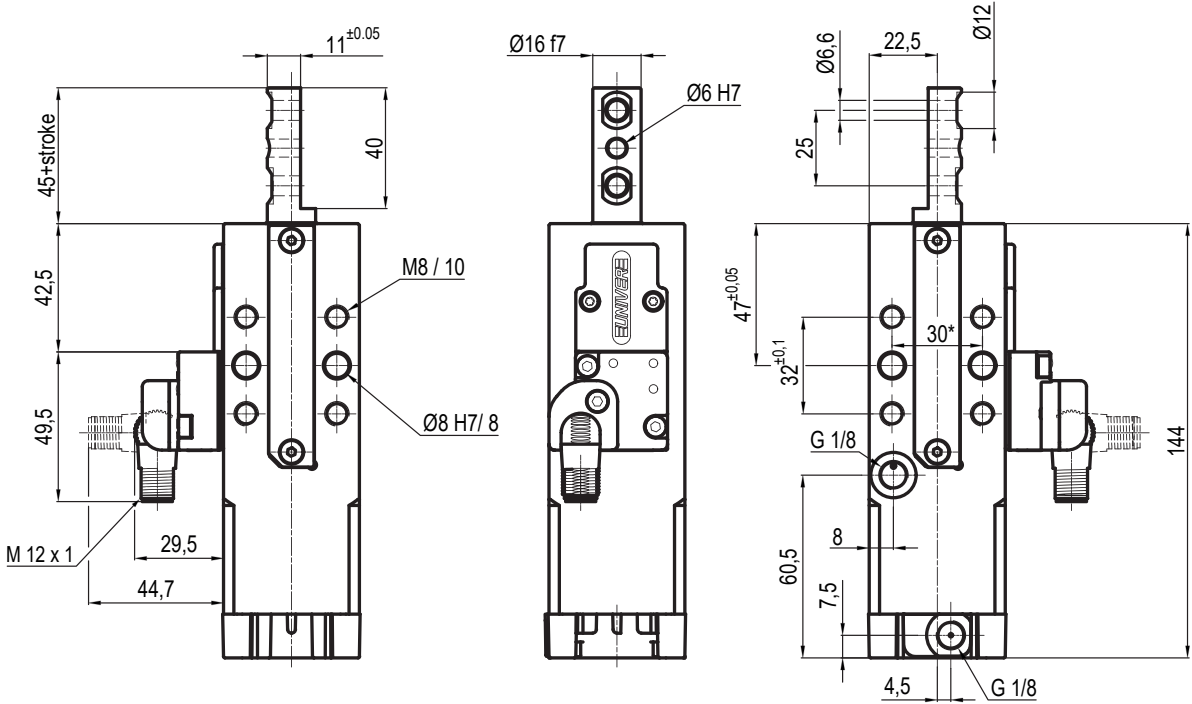
*only with "A" rod style

7 SENSOR
N = No sensor (with protection plate)
K = Electronic sensor PNP, M12 (DF-K)
J = Electronic sensor NPN, optical, (DF-J)
Y = Electronic sensor PNP, M12 (DF-Y) white LED

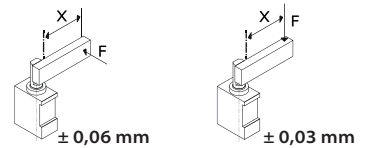
8 PRODUCT REVISION
Assigned by UNIVER

9 ATEX
X = ATEX option
See ATEX Catalogue for types and versions

A Rod for offset pins



*TOLERANCE BETWEEN DOWELS ± 0,02 BETWEEN SCREW HOLES ± 0,1



Max. Torque
6 Nm
X = 100 mm

Max. deflection
moment 5,5 Nm
X = 100 mm

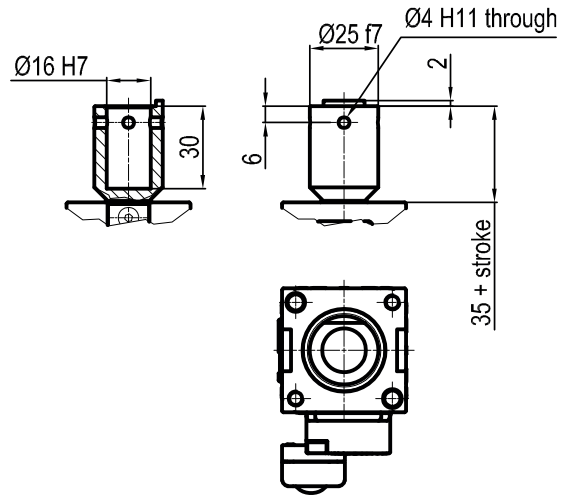
Sensors



Electronic (optical)

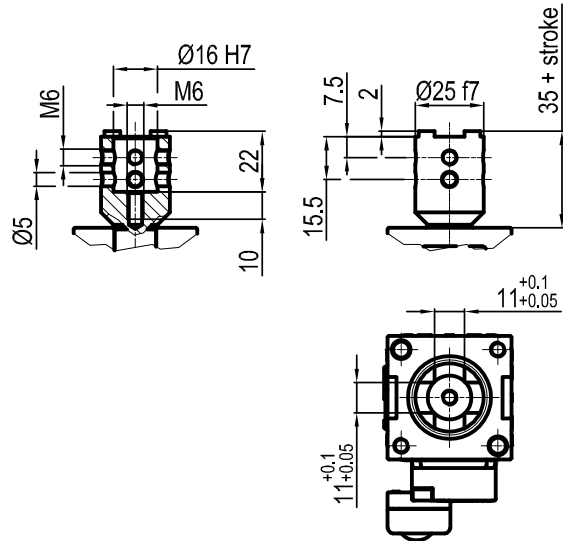
- DF-K PNP M12
- DF-J NPN M12
- DF-Y PNP M12 White LED

B Rod with profiled end

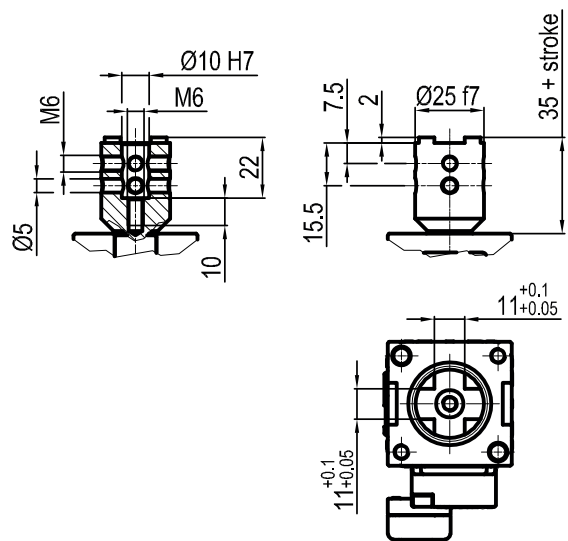


3

C Rod with cross-profiled end
Inner Ø16 mm



E Rod with cross-profiled end
Inner Ø10 mm



ULP 50

Pneumatic retractable locating pin unit, single rod, Ø50 mm

Pneumatic retractable pin unit, single rod, typically used in welding applications to locate metal sheets in a definite position.

- Metal rod scraper
- Antirotation system
- Double guide to avoid backlash
- Compact dimensions
- Electronic or pneumatic sensor
- Many rod end styles available
- Version with hand lever available (ULM series)



CHARACTERISTICS

Operating temperature	5° ÷ 45° C
Min./Max. operating pressure	0,4 / 0,6 MPa
Bore Ø	50 mm
Max Pull force (0,5 MPa)	860 N
Max Push force (0,5 MPa)	960 N
Max. Torque (6 Nm)	± 0,06 mm
Max. Deflection (7,5 Nm)	± 0,03 mm
Weight	2,3 Kg
Pneumatic supply ports	G 1/4 on both sides
Sensor	electronic (optical)
Supply voltage	10 ÷ 30 Vdc
IP code	IP 65

CODIFICATION KEY

UL | P | 50 | 040 | C | X | K | 0 |

1 2 3 4 5 6 7 8 9



LIGHTWEIGHT



METAL SCRAPER



OPTICAL SENSOR



DOUBLE GUIDE



ANTI ROTATION



COMPACT

1 SERIES
UL = UNICLAMP locating pin unit

2 VERSION
P = Pneumatic, single rod

3 SIZE
50 = Ø50 mm

4 STROKE

015 = 15 mm	060 = 60 mm
025 = 25 mm	075* = 75 mm
040 = 40 mm	100* = 100 mm
050 = 50 mm	110* = 110 mm

*special strokes oversized body

5 ROD END STYLE

A = Rod for offset pins
 B = Rod with profiled end
 C = Rod with cross-profiled end inner Ø 16 mm
 D = Rod for offset pins with oversized dowel holes
 E = Rod with cross profiled end inner Ø 10 mm
 F = Compatible with NAAMS, inner Ø 16
 H = Rod with flat end, inner Ø10 mm
 I = Rod with flat end, inner Ø12 mm
 L* = Rod with inner Ø12 mm
 M* = Rod with inner Ø 20 mm

*compatible with CNOMO standard

6 ROD ORIENTATION
X = Symmetrical

E* = East

O* = West

N* = North

S* = South

*only with "A" and "D" rod style

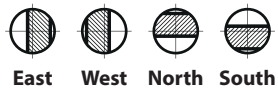
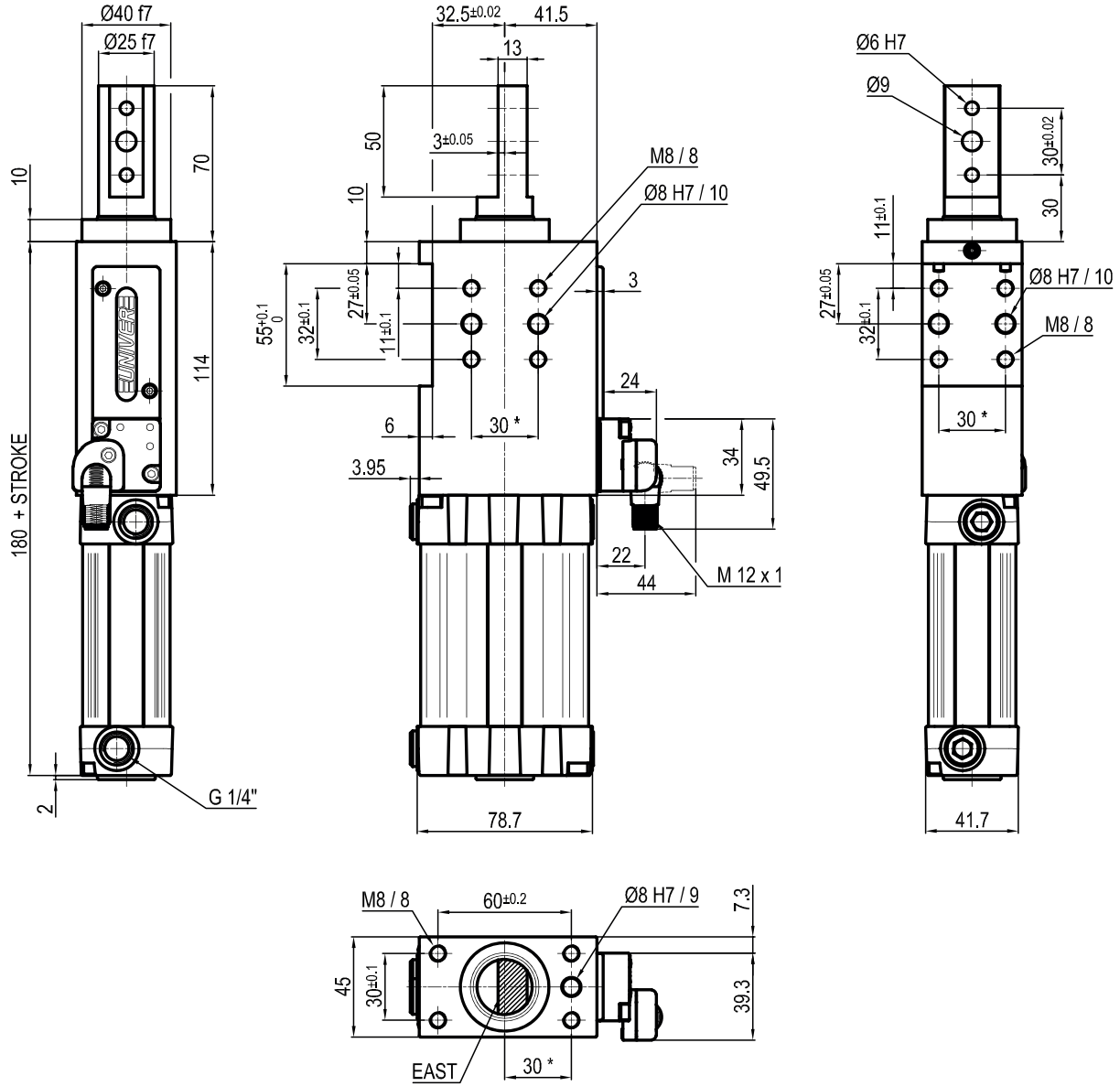
7 SENSOR

N = No sensor (with protection plate)
 K = Electronic sensor PNP, M12 (DF-K)
 D = Pneumatic sensor (DF-UPNW)
 J = Electronic sensor NPN, optical (DF-J)
 Y = Electronic sensor PNP, M12 (DF-Y) white LED

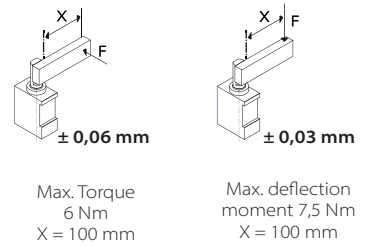
8 PRODUCT REVISION
Assigned by UNIVER

9 ATEX
X = ATEX option
See ATEX Catalogue for types and versions

A Rod for offset pins



*TOLERANCE BETWEEN DOWELS ± 0,02 BETWEEN SCREW HOLES ± 0,1



Sensors



Electronic (optical)

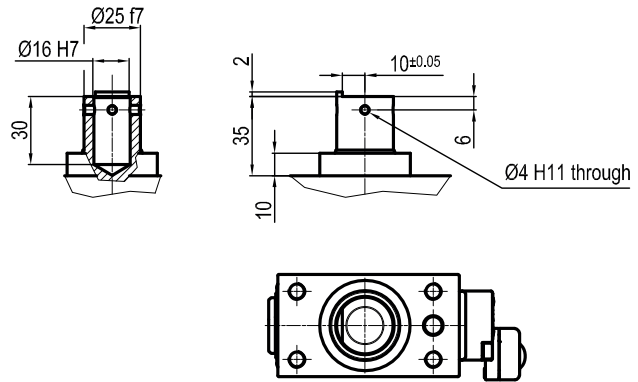
- DF-K PNP M12
- DF-J NPN M12
- DF-Y PNP M12 White LED



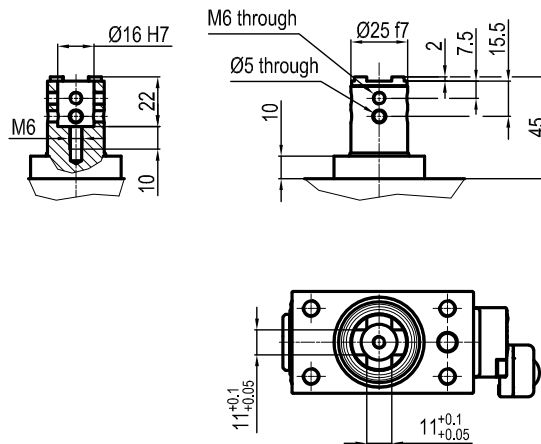
Pneumatic

DF-UPNW

B Rod with profiled end

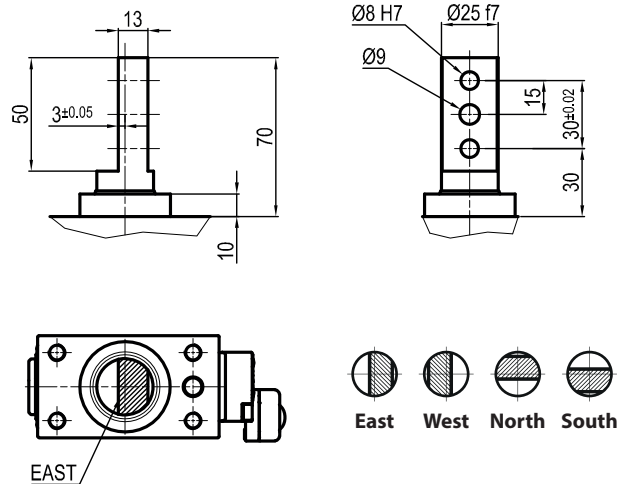


C Rod with cross-profiled end
Inner Ø16 mm



D Rod for offset pins
Oversized dowel holes

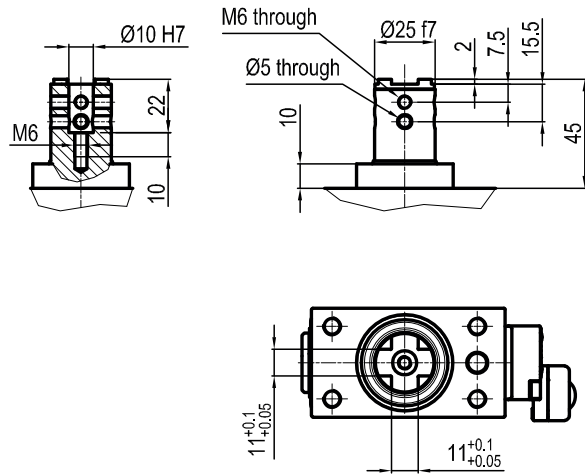
Max. deflection moment 5,5 Nm
X = 100 mm



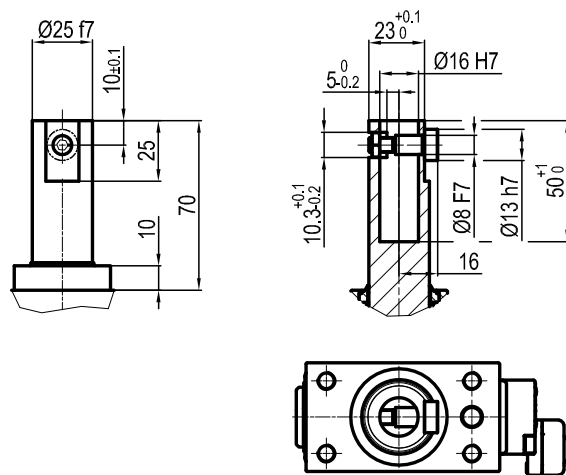
3

3

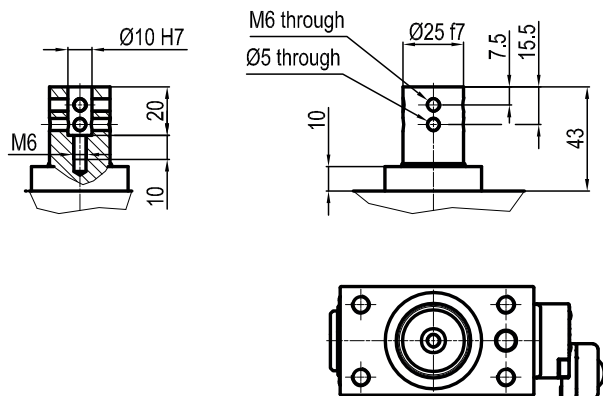
E Rod with cross-profiled end
Inner Ø10 mm



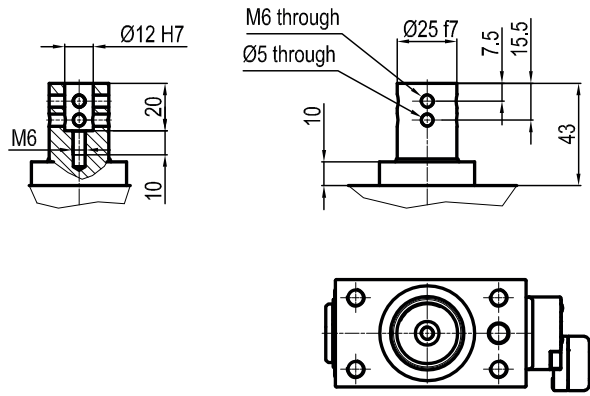
F Compatible with NAAMS
Inner Ø16 mm



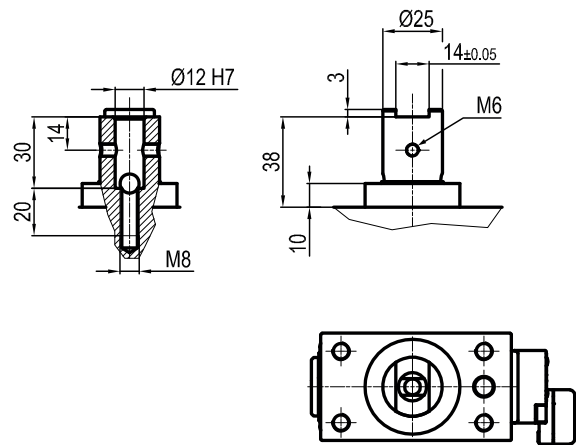
H Rod with flat end
Inner Ø10 mm



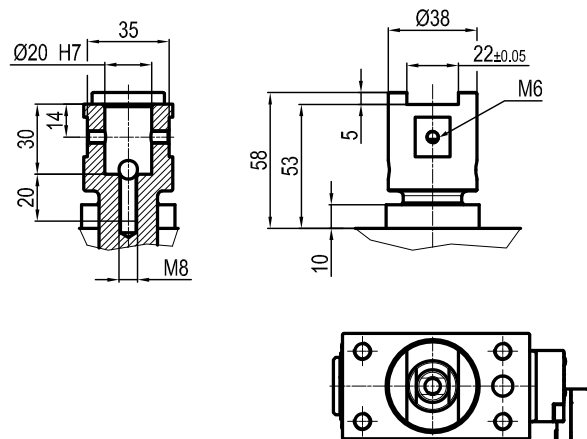
I Rod with flat end
Inner Ø12 mm



L Rod compatible with CNOMO standard
Inner Ø12 mm



M Rod compatible with CNOMO standard
Inner Ø20 mm



ULP 63

Pneumatic retractable locating pin unit, single rod, Ø63 mm

Pneumatic retractable pin unit, single rod, typically used in welding applications to locate metal sheets in a definite position.

- Metal rod scraper
- Antirotation system
- Double guide to avoid backlash
- Compact dimensions
- Electronic or pneumatic sensor
- Many rod end styles available



3

CHARACTERISTICS

Operating temperature	5° ÷ 45° C
Min./Max. operating pressure	0,4 / 0,6 MPa
Bore Ø	63 mm
Max Pull force (0,5 MPa)	1430 N
Max Push force (0,5 MPa)	1530 N
Max. Torque (6 Nm)	± 0,06 mm
Max. Deflection (7,5 Nm)	± 0,03 mm
Weight	3,4 Kg
Pneumatic supply ports	G 1/4 on both sides
Sensor	electronic (optical)
Supply voltage	10 ÷ 30 Vdc
IP code	IP 65

CODIFICATION KEY

UL | P | 63 | 040 | C | X | K | 0 | | |

1 2 3 4 5 6 7 8 9

LIGHTWEIGHT

METAL SCRAPER

OPTICAL SENSOR

DOUBLE GUIDE

ANTI ROTATION

COMPACT

1 SERIES
UL = UNICLAMP locating pin unit

2 VERSION
P = Pneumatic, single rod

3 SIZE
63 = Ø63 mm

4 STROKE
015 = 15 mm
025 = 25 mm
040 = 40 mm
050 = 50 mm
060 = 60 mm

5 ROD END STYLE
A = Rod for offset pins
B = Rod with profiled end
C = Rod with cross-profiled end inner Ø 16 mm
D = Rod for offset pins with oversized dowel holes
E = Rod with cross profiled end inner Ø 10 mm
F = Compatible with NAAMS, inner Ø 16
H = Rod with flat end, inner Ø10 mm
I = Rod with flat end, inner Ø12 mm
L* = Rod with inner Ø12 mm
M* = Rod with inner Ø 20 mm
*compatible with CNOMO standard

6 ROD ORIENTATION
X = Symmetrical

E* = East

O* = West

N* = North

S* = South

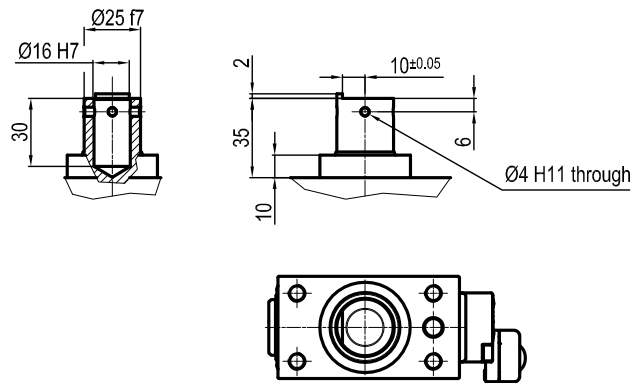
*only with "A" and "D" rod style

7 SENSOR
N = No sensor (with protection plate)
K = Electronic sensor PNP, M12 (DF-K)
D = Pneumatic sensor (DF-UPNW)
J = Electronic sensor NPN, optical (DF-J)
Y = Electronic sensor PNP, M12 (DF-Y) white LED

8 PRODUCT REVISION
Assigned by UNIVER

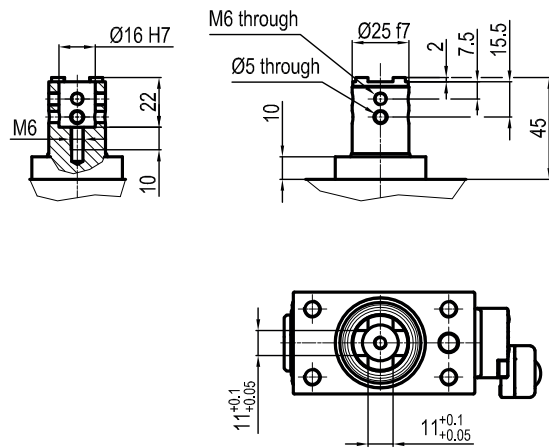
9 ATEX
X = ATEX option
See ATEX Catalogue for types and versions

B Rod with profiled end

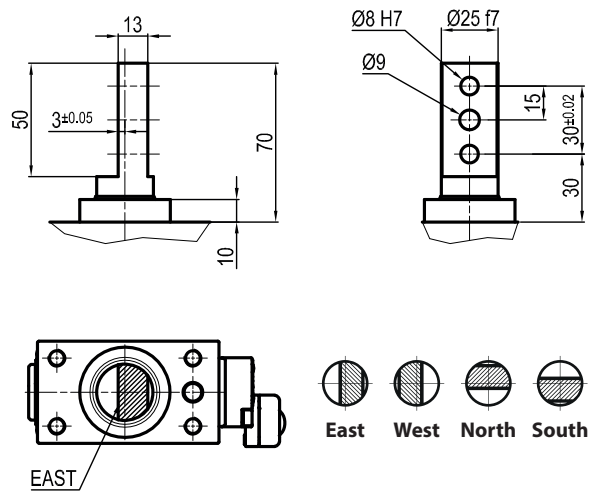


3

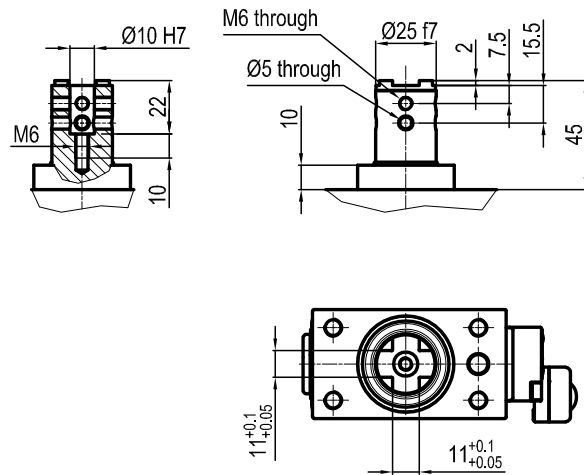
C Rod with cross-profiled end
Inner Ø16 mm



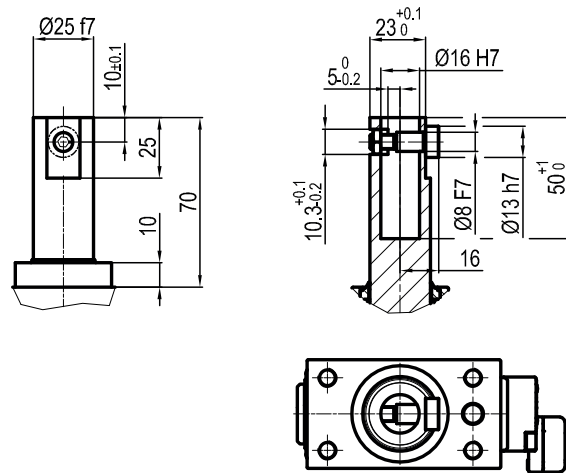
D Rod for offset pins
Oversized dowel holes



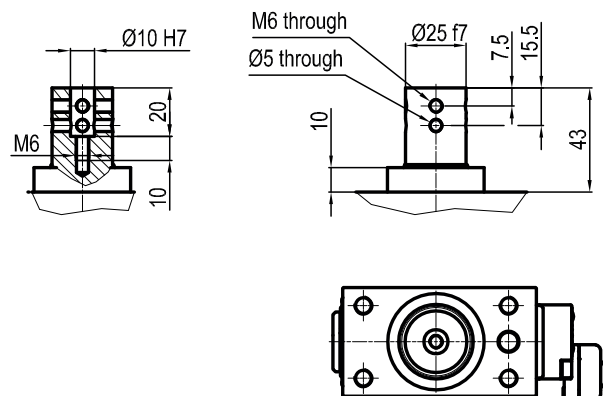
E Rod with cross-profiled end
Inner Ø10 mm



F Compatible with NAAMS
Inner Ø16 mm

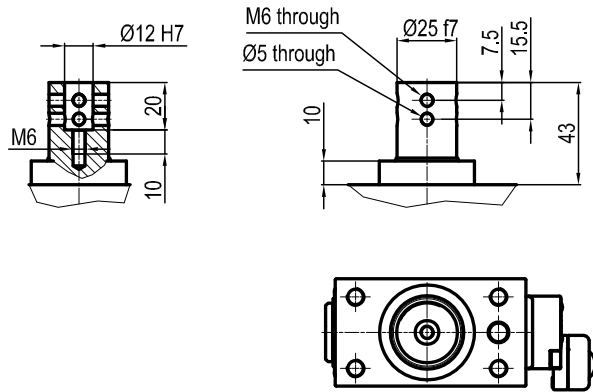


H Rod with flat end
Inner Ø10 mm



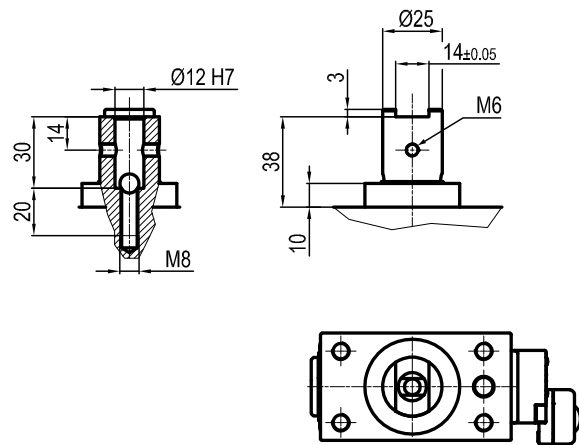
3

I Rod with flat end
Inner Ø12 mm

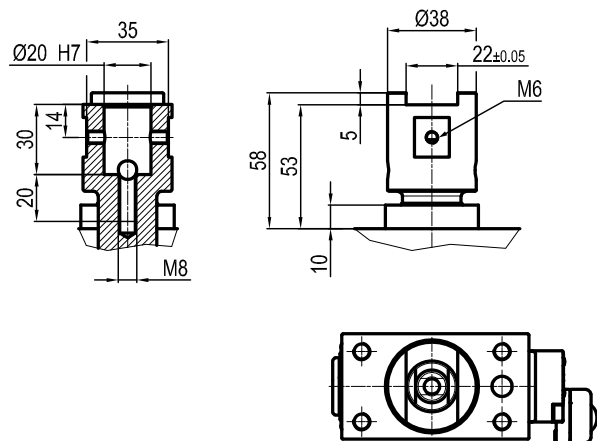


3

L Rod compatible with CNOMO standard
Inner Ø12 mm



M Rod compatible with CNOMO standard
Inner Ø20 mm



ULR 50

Compact pneumatic retractable locating pin unit, single rod, Ø50 mm

Compact pneumatic retractable pin unit, single rod, typically used in welding applications to locate metal sheets in a definite position.

- Metal rod scraper
- Antirotation system
- Double guide to avoid backlash
- Compact dimensions
- Electronic or pneumatic sensor
- Many rod end styles available



3

CHARACTERISTICS

Operating temperature	5° ÷ 45° C
Min./Max. operating pressure	0,4 / 0,6 MPa
Bore Ø	50 mm
Max Pull force (0,5 MPa)	860 N
Max Push force (0,5 MPa)	960 N
Max. Torque (6 Nm)	± 0,06 mm
Max. Deflection (7,5 Nm)	± 0,03 mm
Weight	1,9 Kg
Pneumatic supply ports	G 1/4
Sensor	electronic (optical)
Supply voltage	10 ÷ 30 Vdc
IP code	IP 65

CODIFICATION KEY

UL | R | 50 | 040 | C | X | K | 0 | |
 1 2 3 4 5 6 7 8 9

OPTICAL SENSOR

LIGHTWEIGHT

COMPACT

METAL SCRAPER

DOUBLE GUIDE

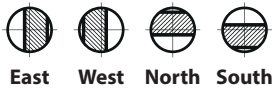
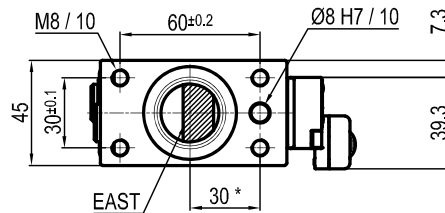
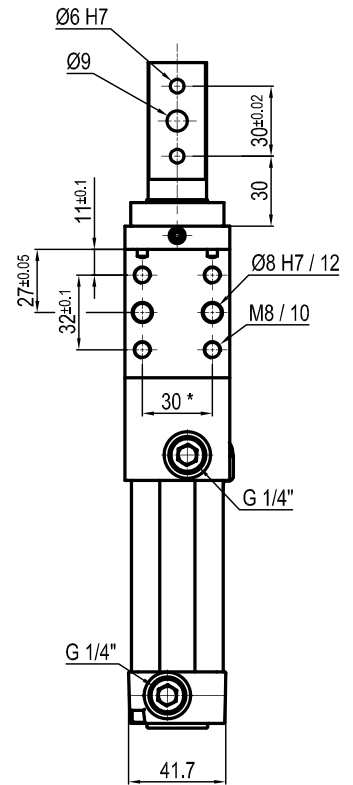
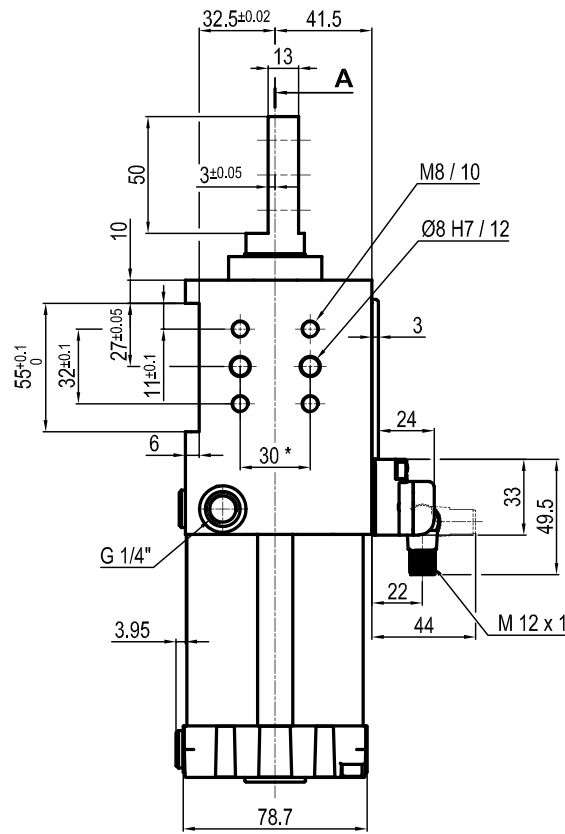
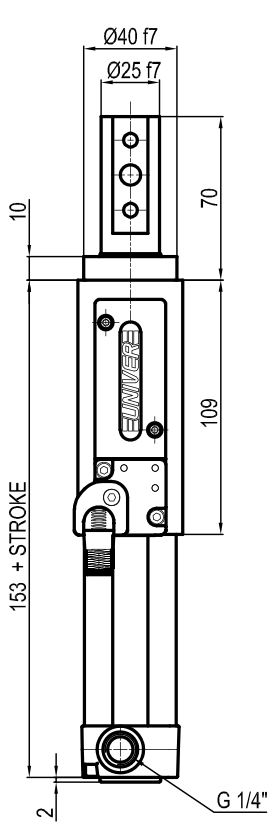
ANTI ROTATION

- 1** SERIES
UL = UNICLAMP locating pin unit
- 2** VERSION
R = Compact pneumatic, single rod
- 3** SIZE
50 = Ø50 mm
- 4** STROKE
015 = 15 mm
025 = 25 mm
040 = 40 mm
050 = 50 mm
060 = 60 mm
- 5** ROD END STYLE
A = Rod for offset pins
B = Rod with profiled end
C = Rod with cross-profiled end inner Ø 16 mm
D = Rod for offset pins with oversized dowel holes
E = Rod with cross profiled end inner Ø 10 mm
F = Rod for side mounting
H = Rod with flat end, inner Ø10 mm
I = Rod with flat end, inner Ø12 mm
L* = Rod with inner Ø12 mm
M* = Rod with inner Ø 20 mm
*compatible with CNOMO standard

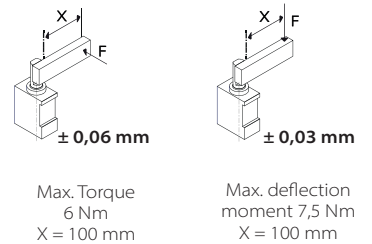
- 6** ROD ORIENTATION
X = Symmetrical

E* = East
O* = West
N* = North
S* = South
*only with "A" and "D" rod style
- 7** SENSOR
N = No sensor (with protection plate)
K = Electronic sensor PNP, M12(DF-K)
D = Pneumatic sensor (DF-UPNW)
J = Electronic sensor NPN, optical (DF-J)
Y = Electronic sensor PNP, M12 (DF-Y) white LED
- 8** PRODUCT REVISION
Assigned by UNIVER
- 9** ATEX
X = ATEX option
See ATEX Catalogue for types and versions

A Rod for offset pins



*TOLERANCE BETWEEN DOWELS ± 0,02 BETWEEN SCREW HOLES ± 0,1



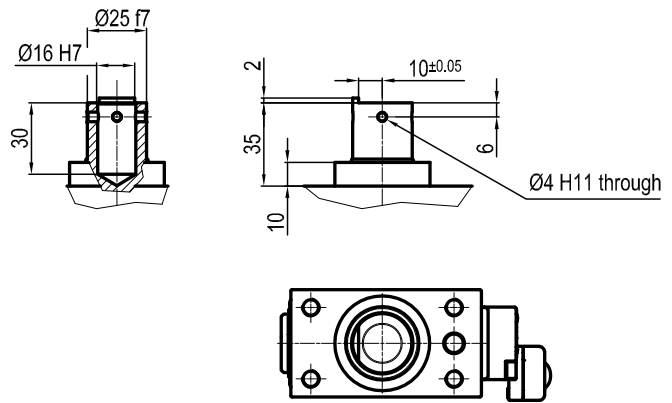
Sensors



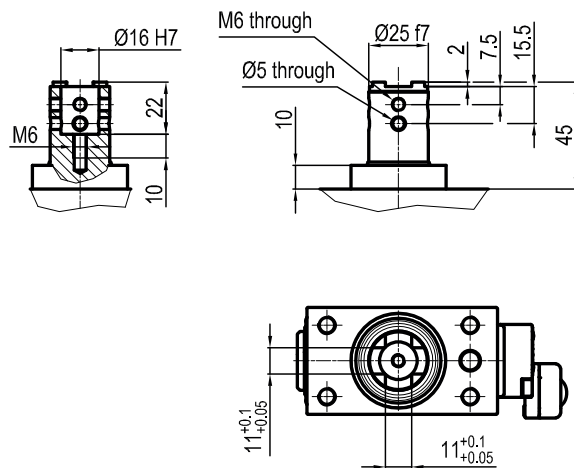
Electronic (optical)

- DF-K PNP M12
- DF-J NPN M12
- DF-Y PNP M12 White LED

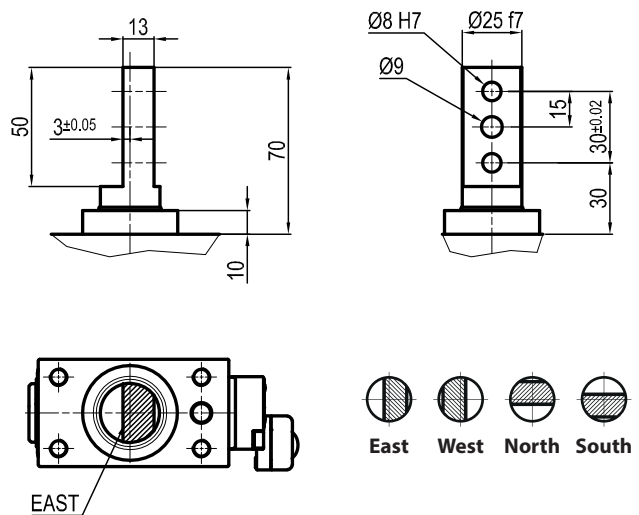
B Rod with profiled end



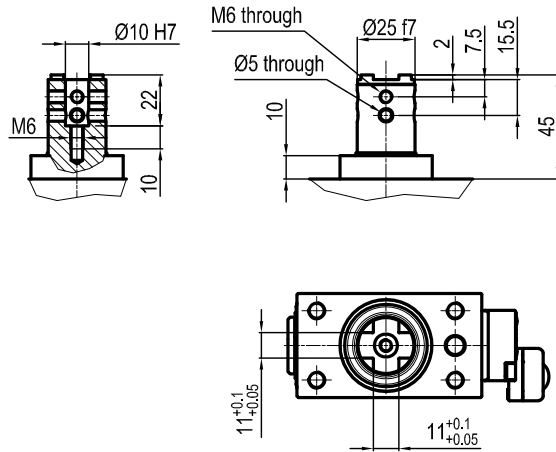
C Rod with cross-profiled end
Inner Ø16 mm



D Rod for offset pins
Oversized dowel holes

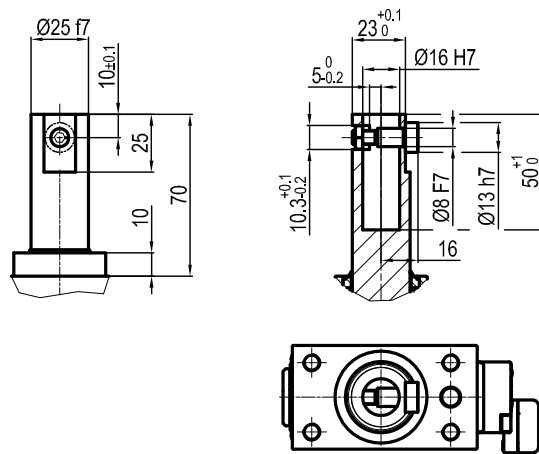


E Rod with cross-profiled end
Inner Ø10 mm

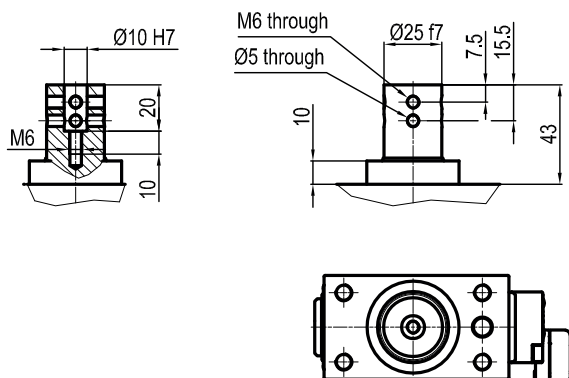


3

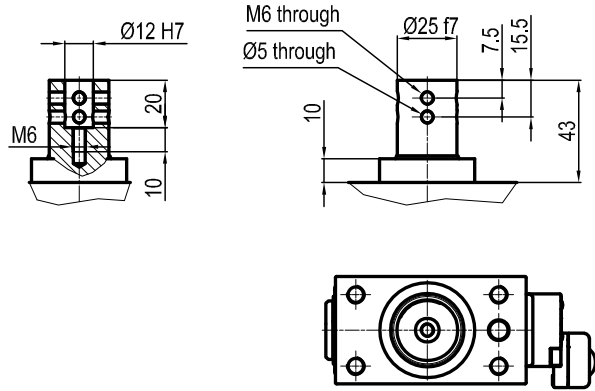
F Compatible with NAAMS
Inner Ø16 mm



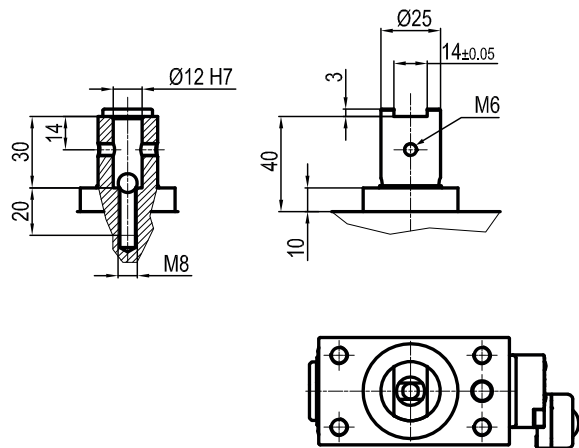
H Rod with flat end
Inner Ø10 mm



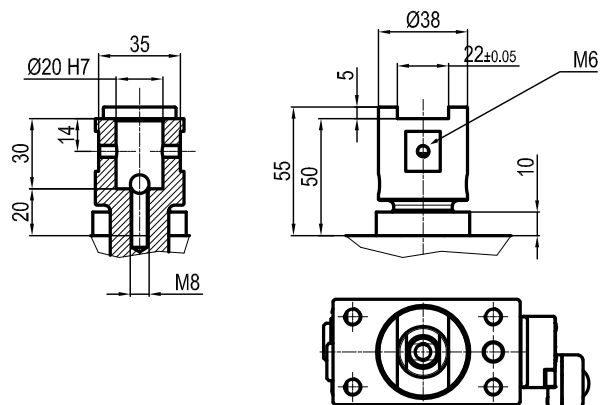
I Rod with flat end
Inner Ø12 mm



L Rod compatible with CNOMO standard
Inner Ø12 mm



M Rod compatible with CNOMO standard
Inner Ø20 mm



ULR 63

Compact pneumatic retractable locating pin unit, single rod, Ø63 mm

Compact pneumatic retractable pin unit, single rod, typically used in welding applications to locate metal sheets in a definite position.



- Metal rod scraper
- Antirotation system
- Double guide to avoid backlash
- Compact dimensions
- Electronic or pneumatic sensor
- Many rod end styles available

3

CHARACTERISTICS

Operating temperature	5° ÷ 45° C
Min./Max. operating pressure	0,4 / 0,6 MPa
Bore Ø	63 mm
Max Pull force (0,5 MPa)	1430 N
Max Push force (0,5 MPa)	1530 N
Max. Torque (6 Nm)	± 0,06 mm
Max. Deflection (7,5 Nm)	± 0,03 mm
Weight	3,2 Kg
Pneumatic supply ports	G 1/4
Sensor	electronic (optical)
Supply voltage	10 ÷ 30 Vdc
IP code	IP 65

CODIFICATION KEY

UL | R | 63 | 040 | C | X | K | 0 | |

1 2 3 4 5 6 7 8 9



OPTICAL SENSOR



LIGHTWEIGHT



COMPACT



METAL SCRAPER



DOUBLE GUIDE



ANTI ROTATION

- 1** SERIES
UL = UNICLAMP locating pin unit
- 2** VERSION
R = Pneumatic, single rod
- 3** SIZE
63 = Ø63 mm
- 4** STROKE
015 = 15 mm
025 = 25 mm
040 = 40 mm
050 = 50 mm
060 = 60 mm
- 5** ROD END STYLE
A = Rod for offset pins
B = Rod with profiled end
C = Rod with cross-profiled end inner Ø 16 mm
D = Rod for offset pins with oversized dowel holes
E = Rod with cross profiled end inner Ø 10 mm
F = Compatible with NAAMS, inner Ø 16
H = Rod with flat end, inner Ø10 mm
I = Rod with flat end, inner Ø12 mm
L* = Rod with inner Ø12 mm
M* = Rod with inner Ø 20 mm
*compatible with CNOMO standard

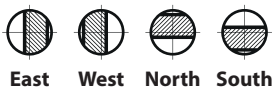
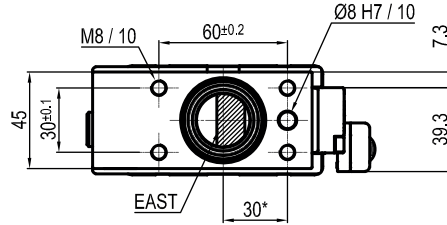
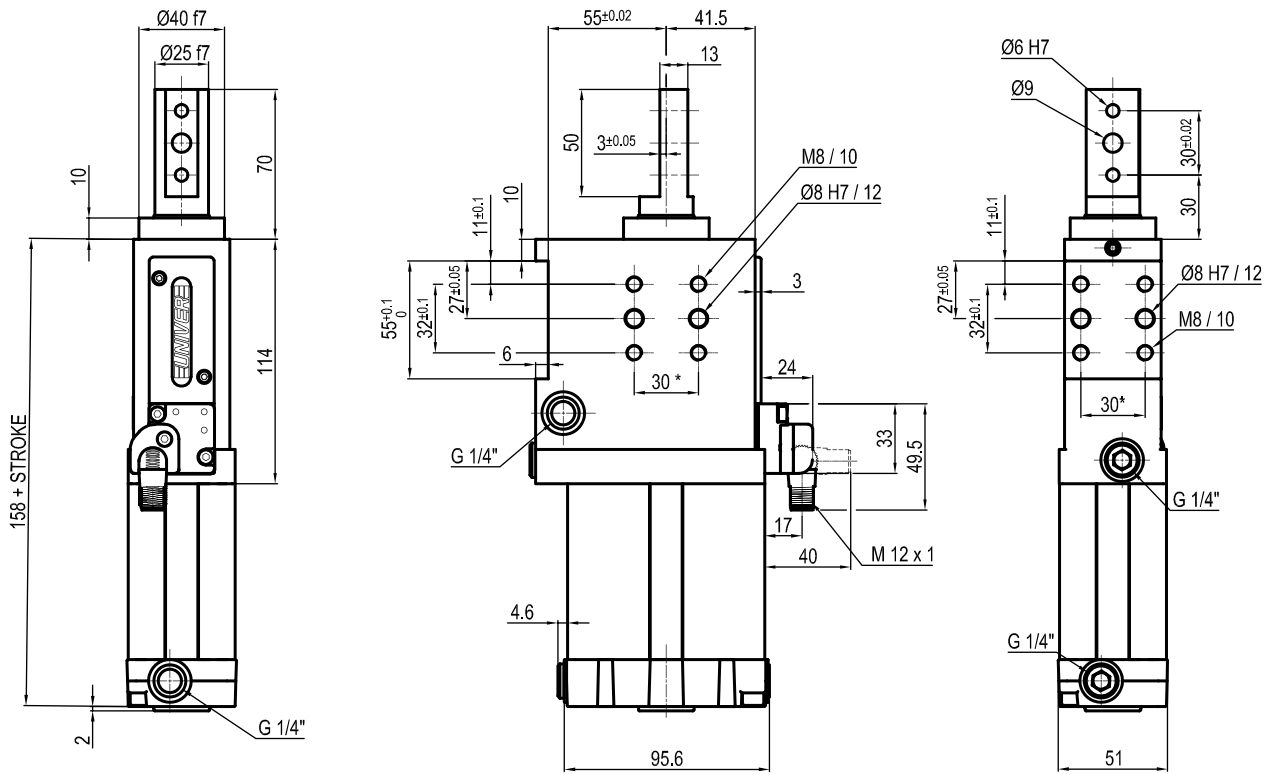
- 6** ROD ORIENTATION
X = Symmetrical

E* = East
- O* = West
- N* = North
- S* = South

*only with "A" and "D" rod style

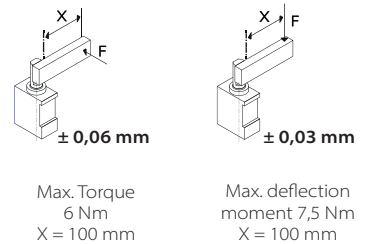
- 7** SENSOR
N = No sensor (with protection plate)
K = Electronic sensor PNP, M12 (DF-K)
J = Electronic sensor NPN, optical (DF-J)
Y = Electronic sensor PNP, M12 (DF-Y) white LED
- 8** PRODUCT REVISION
Assigned by UNIVER
- 9** ATEX
X = ATEX option
See ATEX Catalogue for types and versions

A Rod for offset pins



East West North South

*TOLERANCE BETWEEN DOWELS ± 0,02 BETWEEN SCREW HOLES ± 0,1



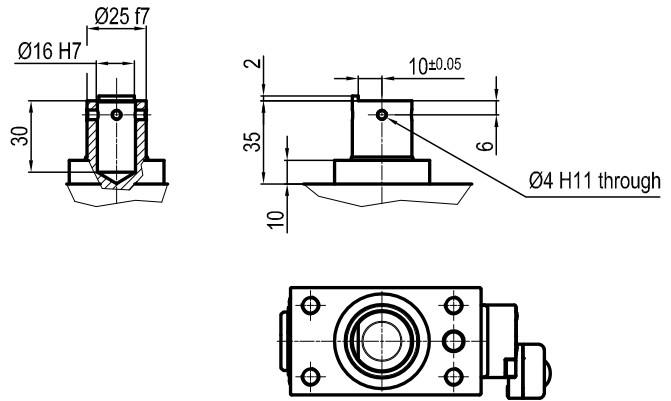
Sensors



Electronic (optical)

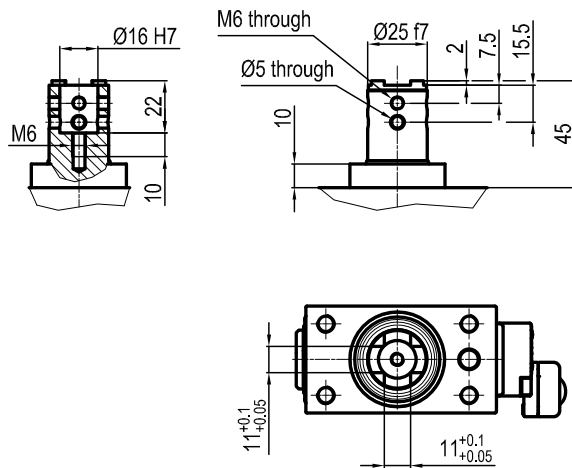
- DF-K PNP M12
- DF-J NPN M12
- DF-Y PNP M12 White LED

B Rod with profiled end

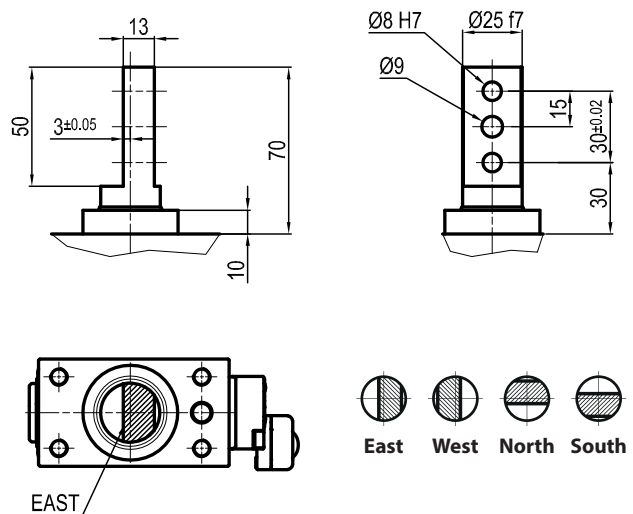


3

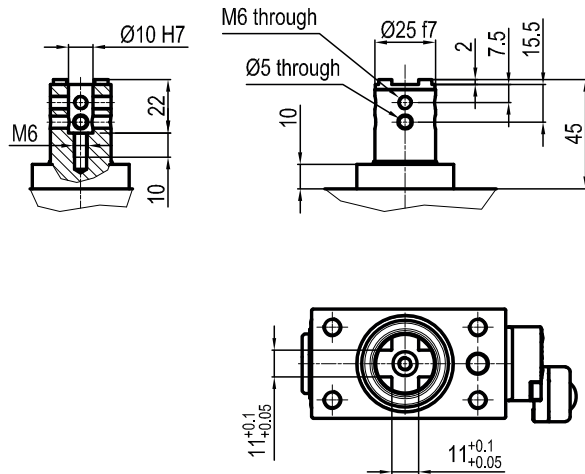
C Rod with cross-profiled end
Inner Ø16 mm



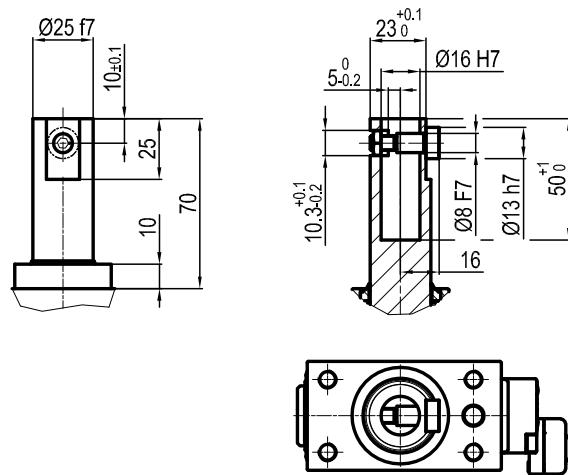
D Rod for offset pins
Oversized dowel holes



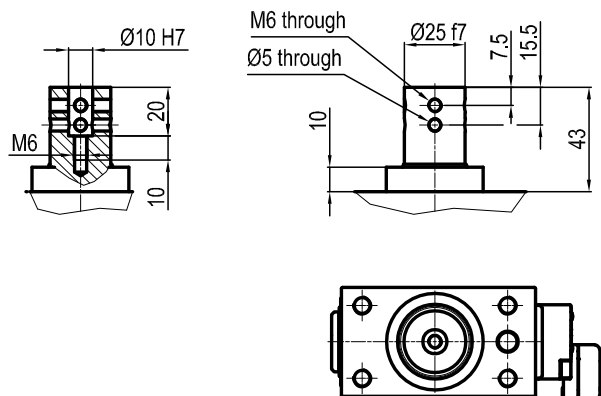
E Rod with cross-profiled end
Inner Ø10 mm



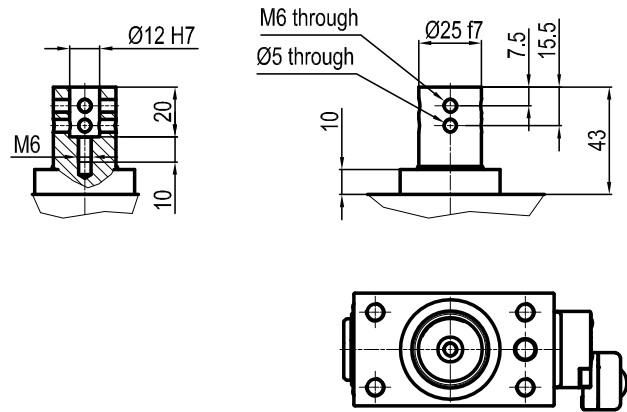
F Compatible with NAAMS
Inner Ø16 mm



H Rod with flat end
Inner Ø10 mm

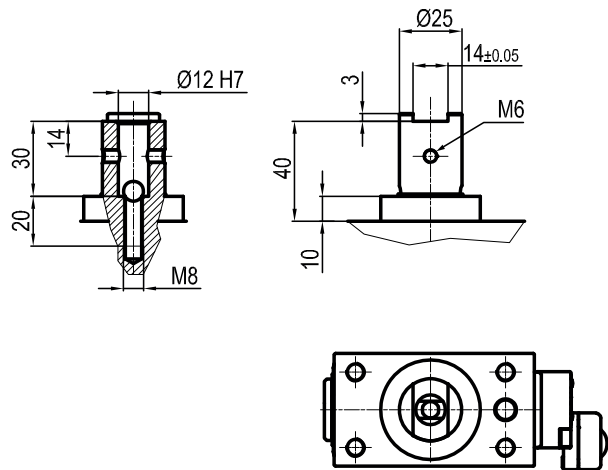


I Rod with flat end
Inner Ø12 mm

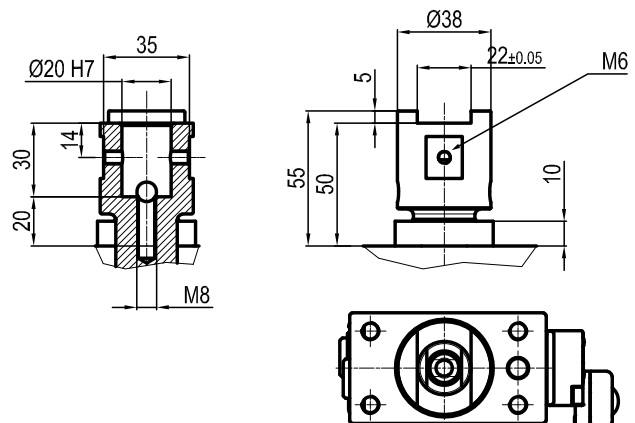


3

L Rod compatible with CNOMO standard
Inner Ø12 mm



M Rod compatible with CNOMO standard
Inner Ø20 mm



ULM 50

Pneumatic retractable locating pin unit, single rod, Ø50 mm with hand lever

Pneumatic retractable pin unit, single rod, typically used in welding applications to locate metal sheets in a definite position.

- Metal rod scraper
- Antirotation system
- Double guide to avoid backlash
- Compact dimensions
- Electronic or pneumatic sensor
- Many rod end styles available
- Ergonomic hand lever



3

CHARACTERISTICS

Operating temperature	5° ÷ 45° C
Min./Max. operating pressure	0,4 / 0,6 MPa
Bore Ø	50 mm
Max Pull force (0,5 MPa)	560 N
Max Push force (0,5 MPa)	615 N
Max. Torque (6 Nm)	± 0,06 mm
Max. Deflection (7,5 Nm)	± 0,03 mm
Weight	3,4 Kg
Pneumatic supply ports	G 1/4 on both sides
Sensor	electronic (optical)
Supply voltage	10 ÷ 30 Vdc
IP code	IP 65

CODIFICATION KEY

UL | M | 50 | 040 | C | X | K | 0 | |

1 2 3 4 5 6 7 8 9



OPTICAL SENSOR



LIGHTWEIGHT



COMPACT



METAL SCRAPER



DOUBLE GUIDE



ANTI ROTATION

1

SERIES
UL = UNICLAMP locating pin unit

2

VERSION
M = Pneumatic, single rod with hand lever

3

SIZE
50 = Ø50 mm

4

STROKE
015 = 15 mm
025 = 25 mm
040 = 40 mm
050 = 50 mm
060 = 60 mm

5

ROD END STYLE
A = Rod for offset pins
B = Rod with profiled end
C = Rod with cross-profiled end inner Ø 16 mm
D = Rod for offset pins with oversized dowel holes
E = Rod with cross profiled end inner Ø 10 mm
F = Compatible with NAAMS, inner Ø 16
H = Rod with flat end, inner Ø10 mm
I = Rod with flat end, inner Ø12 mm
L* = Rod with inner Ø12 mm
M* = Rod with inner Ø 20 mm
*compatible with CNOMO standard

6

ROD ORIENTATION
X = Symmetrical

E* = East

O* = West

N* = North

S* = South

*only with "A" and "D" rod style

7

SENSOR
N = No sensor (with protection plate)
K = Electronic sensor PNP, M12 (DF-K)
D = Pneumatic sensor (DF-UPNW)
J = Electronic sensor NPN, optical (DF-J)
Y = Electronic sensor PNP, M12 (DF-Y) white LED

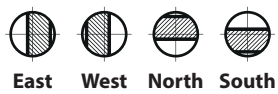
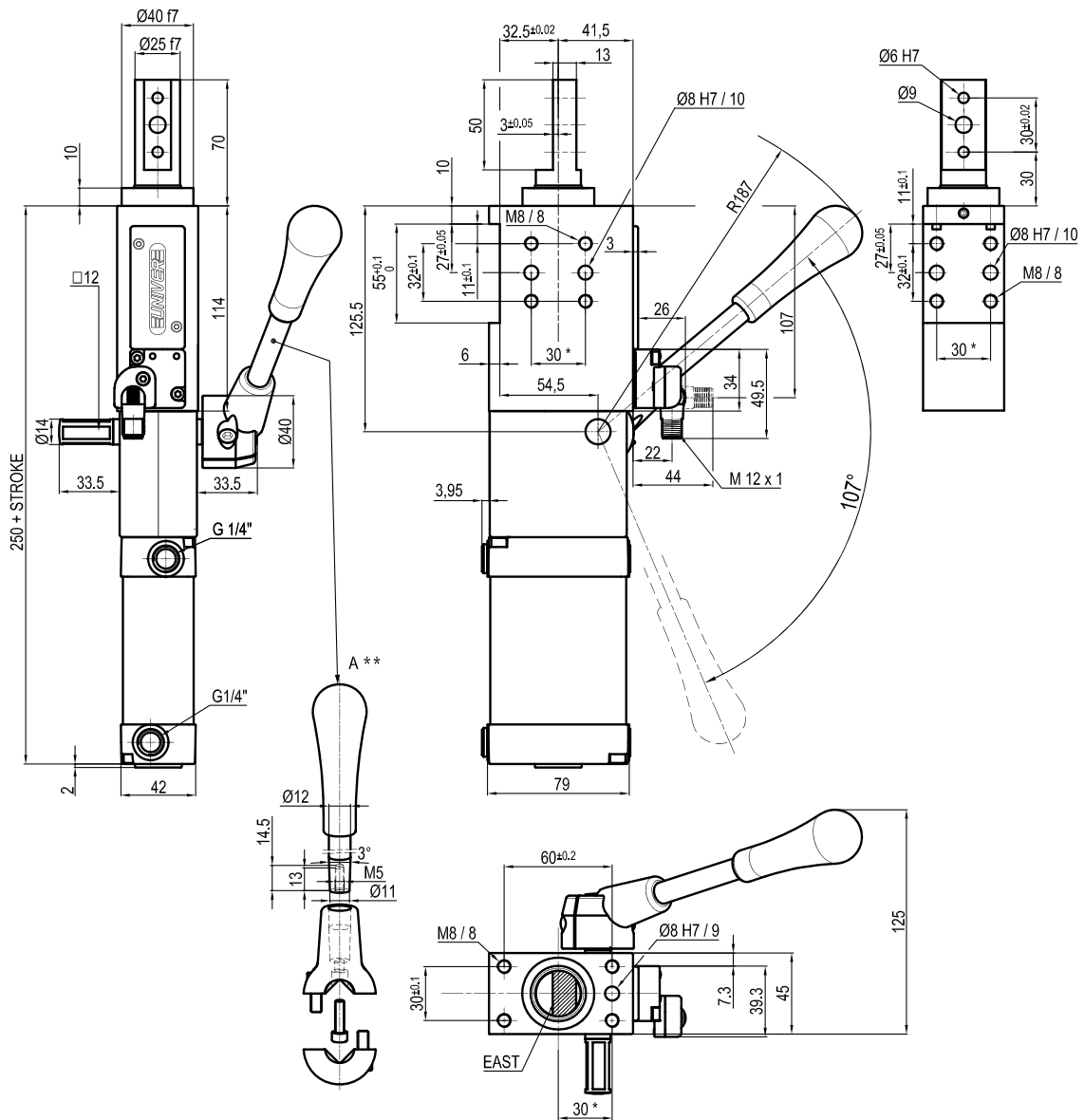
8

PRODUCT REVISION
Assigned by UNIVER

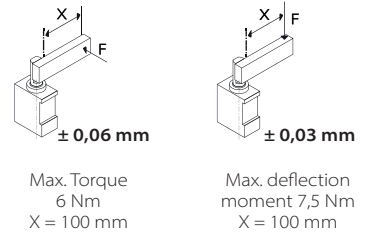
9

ATEX
X = ATEX option
See ATEX Catalogue for types and versions

A Rod for offset pins



*TOLERANCE BETWEEN DOWELS $\pm 0,02$ BETWEEN SCREW HOLES $\pm 0,1$
 **DIMENSIONS TO BE RESPECTED IN CASE OTHER MANUAL LEVERS ARE USED



Sensors



Electronic (optical)

- DF-K PNP M12
- DF-J NPN M12
- DF-Y PNP M12 White LED



Pneumatic

DF-UPNW

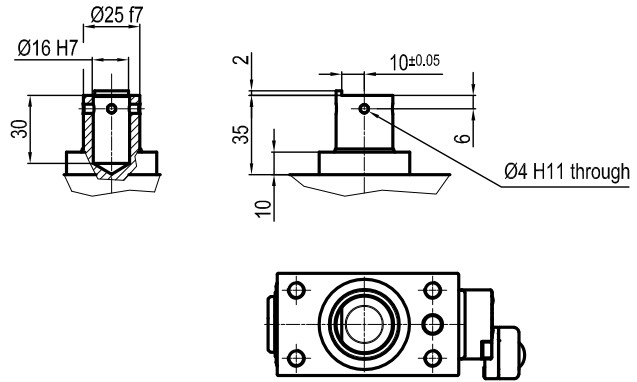
Accessories



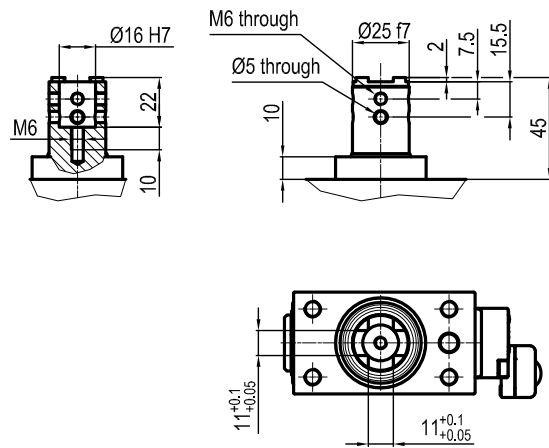
Handlever

UBF255063

B Rod with profiled end



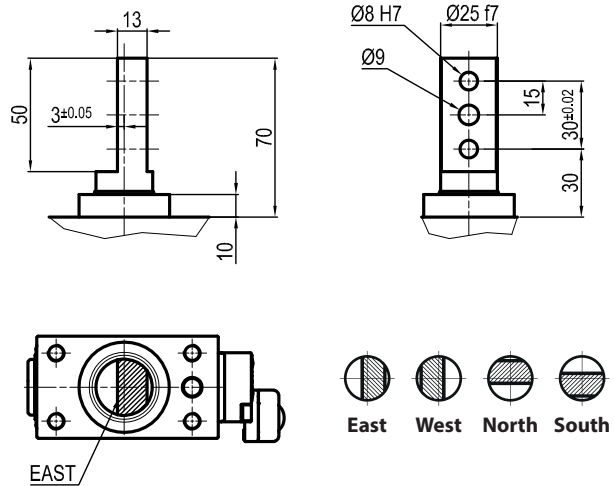
C Rod with cross-profiled end
Inner Ø16 mm



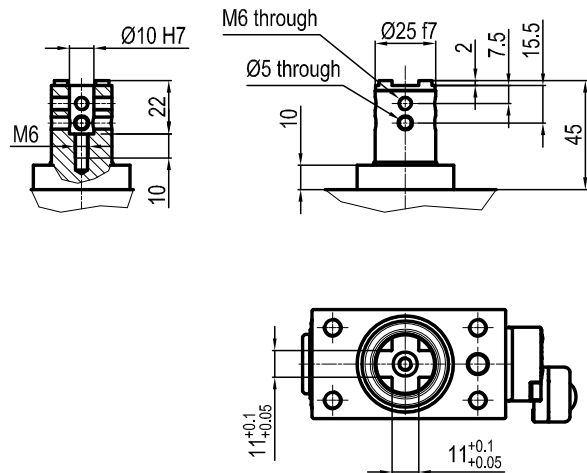
D Rod for offset pins
Oversized dowel holes

Max. Torque
6 Nm

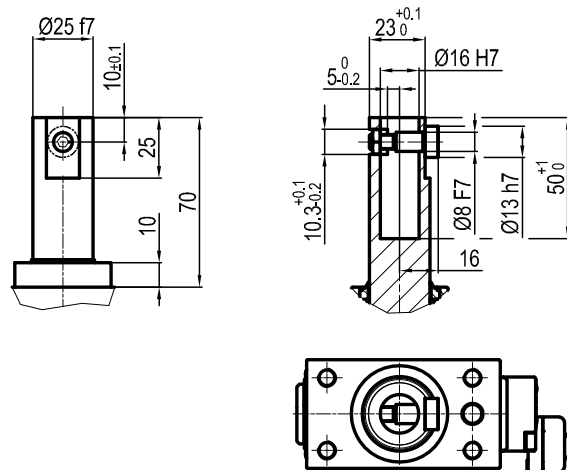
Max. deflection
moment 7,5 Nm



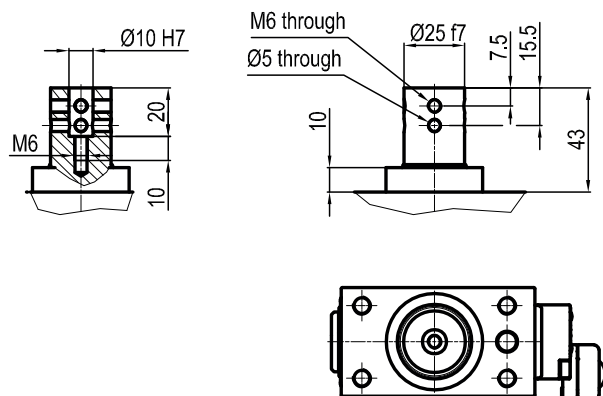
E Rod with cross-profiled end
Inner Ø10 mm



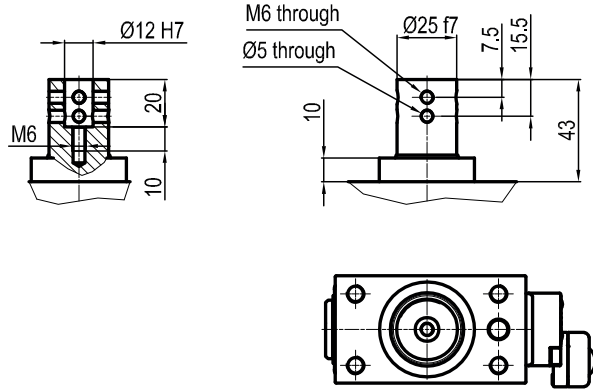
F Compatible with NAAMS
Inner Ø16 mm



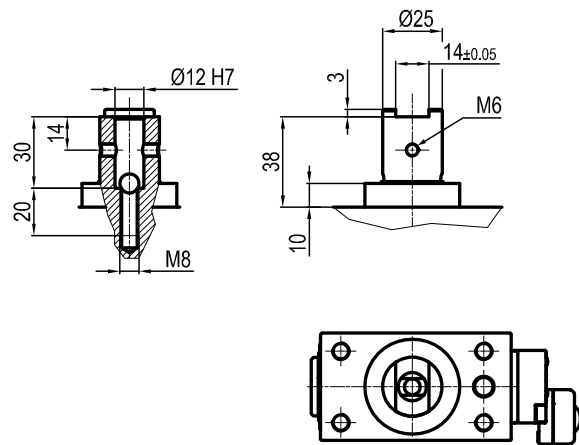
H Rod with flat end
Inner Ø10 mm



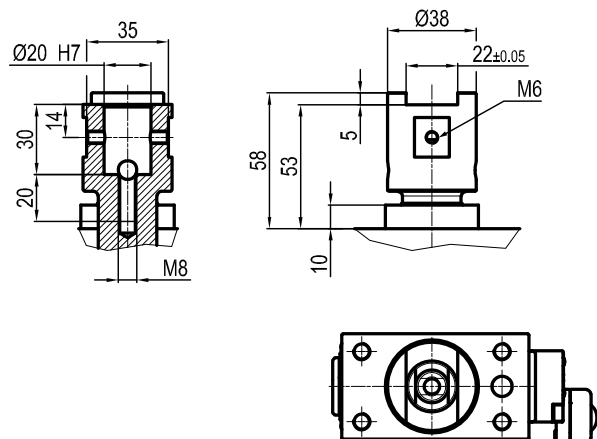
I Rod with flat end
Inner Ø12 mm



L Rod compatible with CNOMO standard
Inner Ø12 mm



M Rod compatible with CNOMO standard
Inner Ø20 mm



ULA 40

Pneumatic retractable locating pin unit, double rod, Ø40 mm

Pneumatic retractable pin unit, double rod, typically used in welding applications to locate metal sheets in a definite position.

- Metal rod scraper
- Double guide to avoid backlash
- Compact dimensions
- Electronic or pneumatic sensor
- Many rod end styles available
- Rod orientation adjustable by the user



CHARACTERISTICS

Operating temperature	5° ÷ 45° C
Min./Max. operating pressure	0,4 / 0,6 MPa
Bore Ø	40 mm
Max Pull force (0,5 MPa)	400 N
Max Push force (0,5 MPa)	600 N
Max. Torque (3 Nm)	± 0,06 mm
Max. Deflection (6 Nm)	± 0,03 mm
Weight	1,3 Kg
Pneumatic supply ports	G 1/8 on both sides
Sensor	electronic (optical)
Supply voltage	10 ÷ 30 Vdc
IP code	IP 65

CODIFICATION KEY

UL | A | 40 | 040 | N | A | K | 0 | |

1 2 3 4 5 6 7 8 9



OPTICAL SENSOR



LIGHTWEIGHT



COMPACT



METAL SCRAPER



DOUBLE GUIDE

1

SERIES
UL = UNICLAMP locating pin unit

2

VERSION
A = Pneumatic, double orientable rod

3

SIZE
40 = Ø40 mm

4

STROKE
020 = 20 mm
040 = 40 mm

5

ROD END STYLE
A = Rod for offset pins (2 screws, 1 dowel)
N = Rod for offset pins with inverted holes (1 screw, 2 dowels)
G = Rod for offset pins rod plane matching body middle axis (2 screws, 1 dowel)
P = Rod for offset pins with inverted holes rod matching body middle axis (1 screw, 2 dowels)

6

SIDE MOUNTING
A = 55 mm
S = Standard

7

SENSOR
N = No sensor (with protection plate)
K = Electronic sensor PNP, M12 (DF-K)
D = Pneumatic sensor (DF-UPNW)
J = Electronic sensor NPN, optical (DF-J)
Y = Electronic sensor PNP, M12 (DF-Y) white LED

8

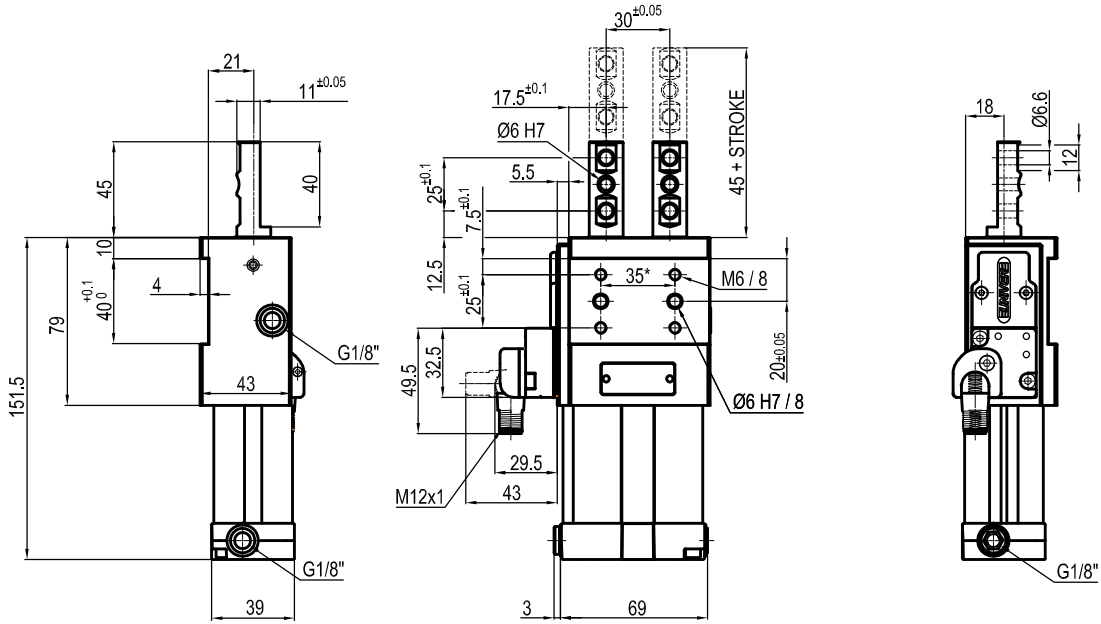
PRODUCT REVISION
Assigned by UNIVER

9

ATEX
X = ATEX option
See ATEX Catalogue for types and versions

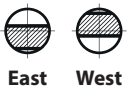
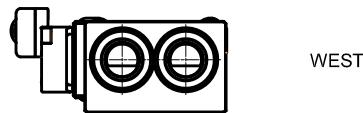
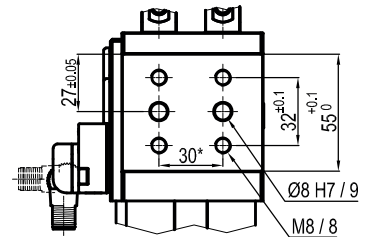
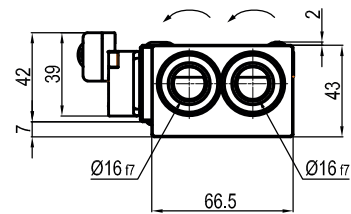


A Rod for offset pins
(2 screws, 1 dowel)

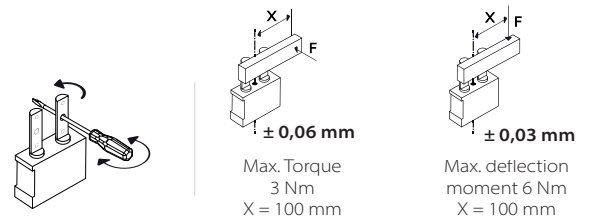


SIDE MOUNTING "A"

ORIENTABLE RODS



*TOLERANCE BETWEEN DOWELS ± 0,02 BETWEEN SCREW HOLES ± 0,1



Sensors



Electronic (optical)

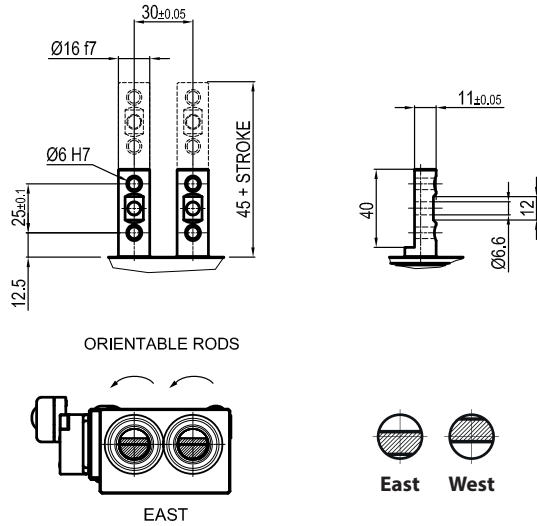
- DF-K PNP M12
- DF-J NPN M12
- DF-Y PNP M12 White LED



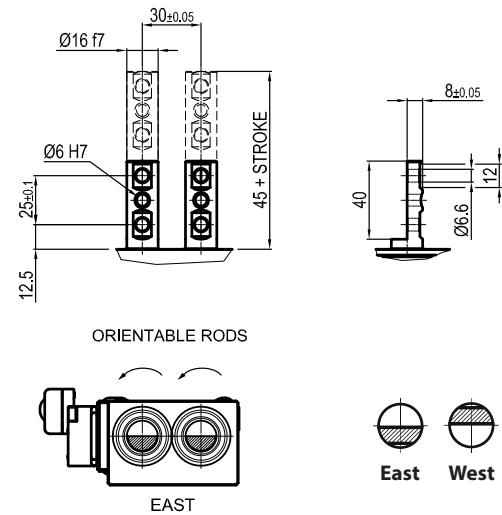
Pneumatic

DF-UPNWM

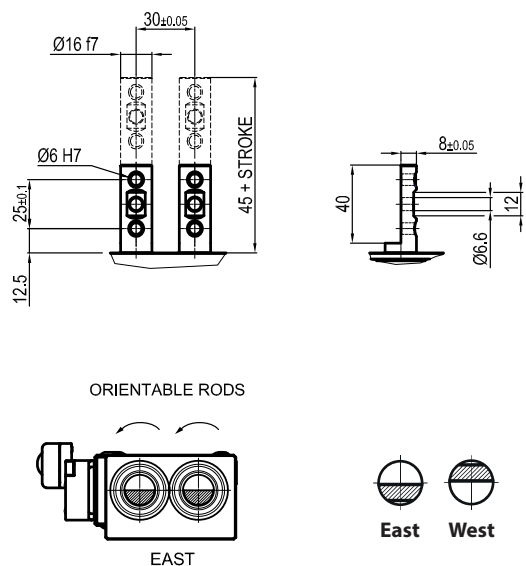
N Rod for offset pins
Inverted holes



G Rod for offset pins
Rod plane matching body middle axis



P Rod for offset pins
Inverted holes, rod plane matching body middle axis



ULA 63

Pneumatic retractable locating pin unit, double rod, Ø63 mm

Pneumatic retractable locating pin unit, double rod, typically used in welding applications to locate metal sheets in a definite position.

- Metal rod scraper
- Double guide to avoid backlash
- Compact dimensions
- Electronic or pneumatic sensor
- Many rod end styles available
- Rod orientation adjustable by the user



CHARACTERISTICS

Operating temperature	5° ÷ 45° C
Min./Max. operating pressure	0,4 / 0,6 MPa
Bore Ø	63 mm
Max Pull force (0,5 MPa)	1430 N
Max Push force (0,5 MPa)	1530 N
Max. Torque (20 Nm)	± 0,1 mm
Max. Deflection (20 Nm)	± 0,07 mm
Weight	4,6 Kg
Pneumatic supply ports	G 1/4 on both sides
Sensor	electronic (optical)
Supply voltage	10 ÷ 30 Vdc
IP code	IP 65

CODIFICATION KEY

UL | A | 63 | 040 | A | K | 0 | |

1 2 3 4 5 6 7 8



OPTICAL SENSOR



LIGHTWEIGHT



COMPACT



METAL SCRAPER



DOUBLE GUIDE

1

SERIES

UL = UNICLAMP locating pin unit

2

VERSION

A = Pneumatic, double orientable rod

3

SIZE

63 = Ø63 mm

4

STROKE

015 = 15 mm	060 = 60 mm
025 = 25 mm	075* = 75 mm
040 = 40 mm	100* = 100 mm
050 = 50 mm	110* = 110 mm

* special strokes oversized body

5

ROD END STYLE

A = Rod for offset pins

6

SENSOR

N = No sensor (with protection plate)
 K = Electronic sensor PNP, M12 (DF-K)
 D = Pneumatic sensor (DF-UPNW)
 J = Electronic sensor NPN, optical (DF-J)
 Y = Electronic sensor PNP, M12 (DF-Y) white LED

7

PRODUCT REVISION

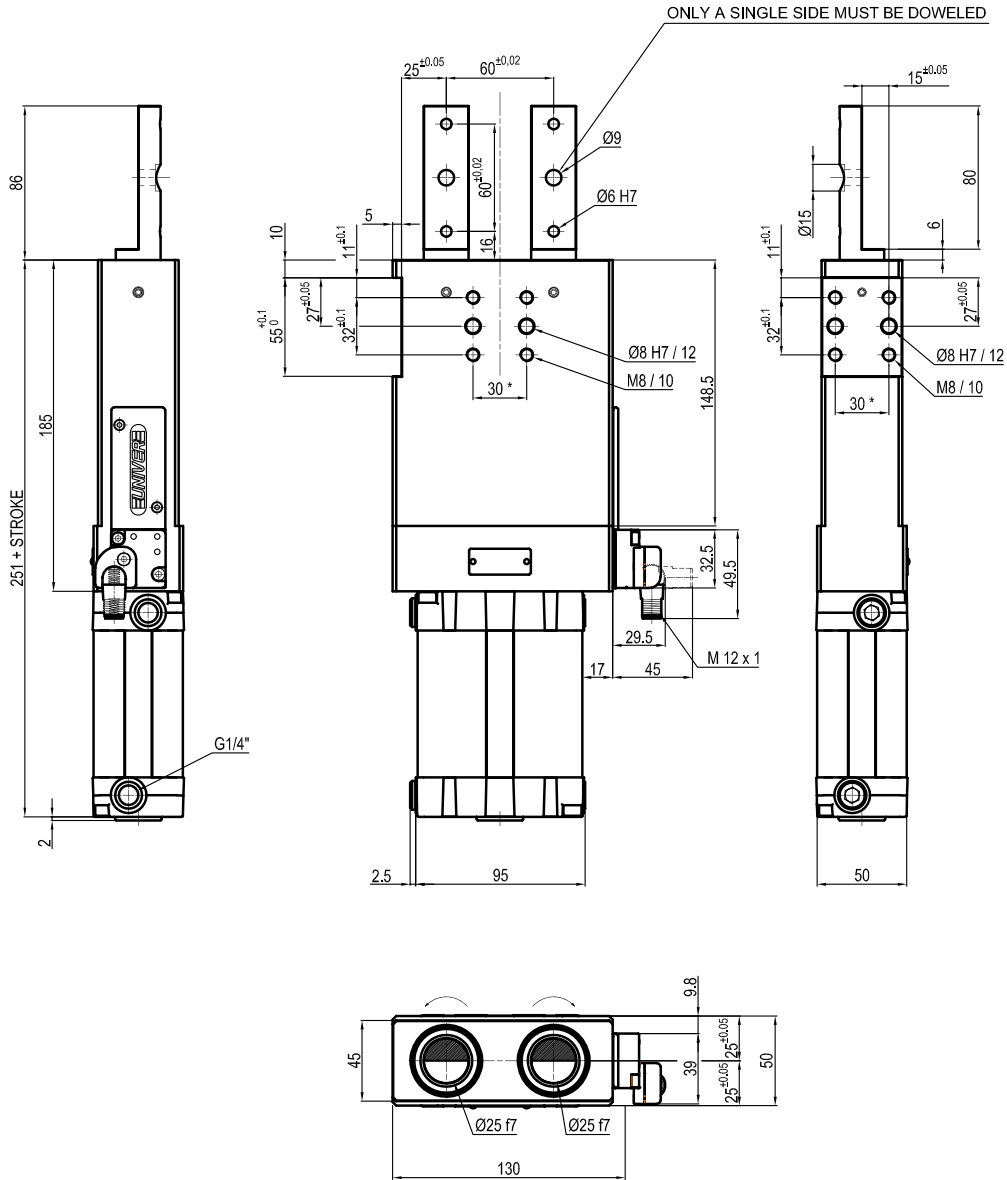
Assigned by UNIVER

8

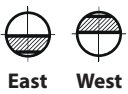
ATEX

X = ATEX option
 See ATEX Catalogue for types and versions

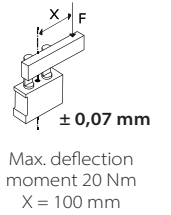
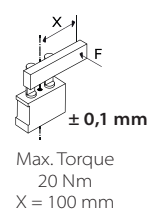
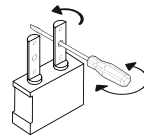
A Rod for offset pins



3



*TOLERANCE BETWEEN DOWELS ± 0,02 BETWEEN SCREW HOLES ± 0,1



Sensors



- Electronic (optical)
- DF-K PNP M12
- DF-J NPN M12
- DF-Y PNP M12 White LED



- Pneumatic
- DF-UPNW

ULO 50

Pneumatic retractable locating pin unit, double rod, Ø50 mm with hand lever

Pneumatic retractable pin unit with double rod and hand lever, typically used in welding applications to locate metal sheets in a definite position.

- Metal rod scraper
- Double guide to avoid backlash
- Compact dimensions
- Electronic or pneumatic sensor
- Many rod end styles available
- Ergonomic hand lever
- Rod orientation adjustable by the user



3

CHARACTERISTICS

Operating temperature	5° ÷ 45° C
Min./Max. operating pressure	0,4 / 0,6 MPa
Bore Ø	50 mm
Max. Torque (20 Nm)	± 0,1 mm
Max. Deflection (20 Nm)	± 0,03 mm
Weight	5,0 Kg
Pneumatic supply ports	G 1/4 on both sides
Sensor	electronic (optical)
Supply voltage	10 ÷ 30 Vdc
IP code	IP 65

CODIFICATION KEY

UL | O | 50 | 040 | A | K | 0 |

1 2 3 4 5 6 7



OPTICAL SENSOR



LIGHTWEIGHT



COMPACT



METAL SCRAPER



DOUBLE GUIDE

1

SERIES
UL = UNICLAMP locating pin unit

2

VERSION
O = Pneumatic, double orientable rod with hand lever

3

SIZE
050 = Ø50 mm

4

STROKE
015 = 20 mm
025 = 25 mm
040 = 40 mm
050 = 50 mm
060 = 60 mm

5

ROD END STYLE
A = Rod for offset pins (2 screws, 1 dowel)

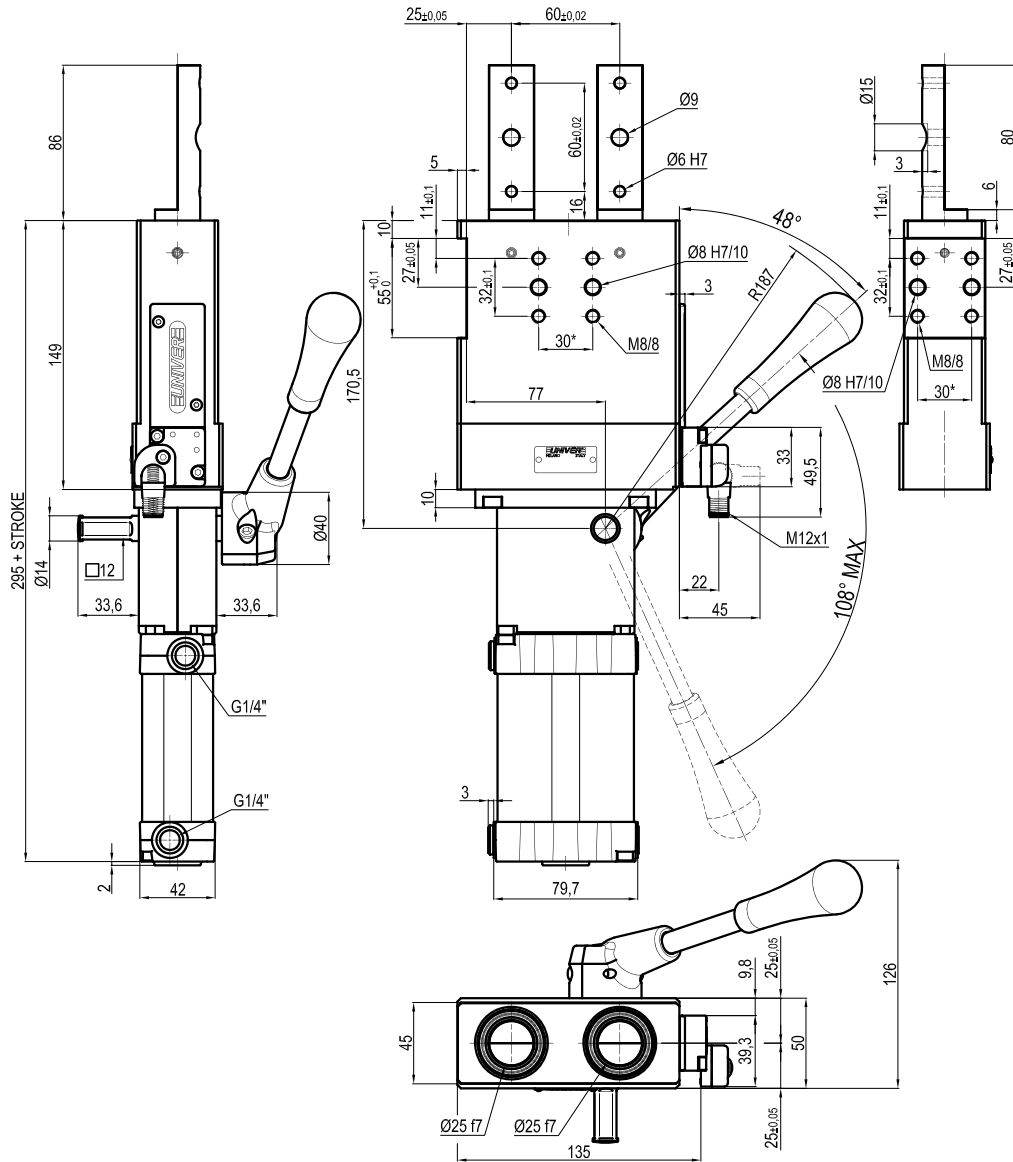
6

SENSOR
N = No sensor (with protection plate)
K = Electronic sensor PNP, M12 (DF-K)
D = Pneumatic sensor (DF-UPNW)
J = Electronic sensor NPN, optical (DF-J)
Y = Electronic sensor PNP, M12 (DF-Y) white LED

7

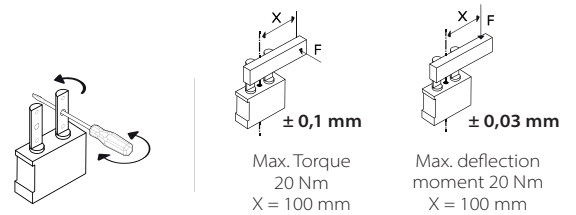
PRODUCT REVISION
Assigned by UNIVER

A Rod for offset pins



3

*TOLERANCE BETWEEN DOWELS ± 0,02 BETWEEN SCREW HOLES ± 0,1



Sensors



Electronic (optical)

- DF-K PNP M12
- DF-J NPN M12
- DF-Y PNP M12 White LED



Pneumatic

DF-UPNW

Accessories



Handlever

UBF255063

ULZ 40

Irreversible pneumatic retractable locating pin unit, single rod, Ø40 mm

Irreversible pneumatic retractable pin unit, single rod, typically used in welding applications to locate metal sheets in a definite position.

- Toggle-joint system to hold the position even in case of air loss
- Metal rod scraper
- Antirotation system
- Optical sensor
- Many rod end styles available
- Version with hand lever available (ULY)



3

CHARACTERISTICS

Operating temperature	5° ÷ 45° C
Min./Max. operating pressure	0,4 / 0,6 MPa
Bore Ø	40 mm
Min. Pull force (0,5 MPa)	200 N
Max Push force (0,5 MPa)**	3100 N
Max. Torque (6 Nm)	± 0,06 mm
Max. Deflection (7,5 Nm)	± 0,03 mm
Weight	5,7 Kg
Pneumatic supply ports	G 1/8
Sensor	electronic (optical)
Supply voltage	10 ÷ 30 Vdc
IP code	IP 65

**Max. push force at end stroke position

CODIFICATION KEY

UL | Z | 40 | 040 | A | E | K | 0 | | |

1 2 3 4 5 6 7 8 9



IRREVERSIBLE



OPTICAL SENSOR



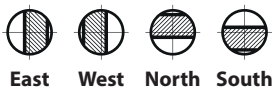
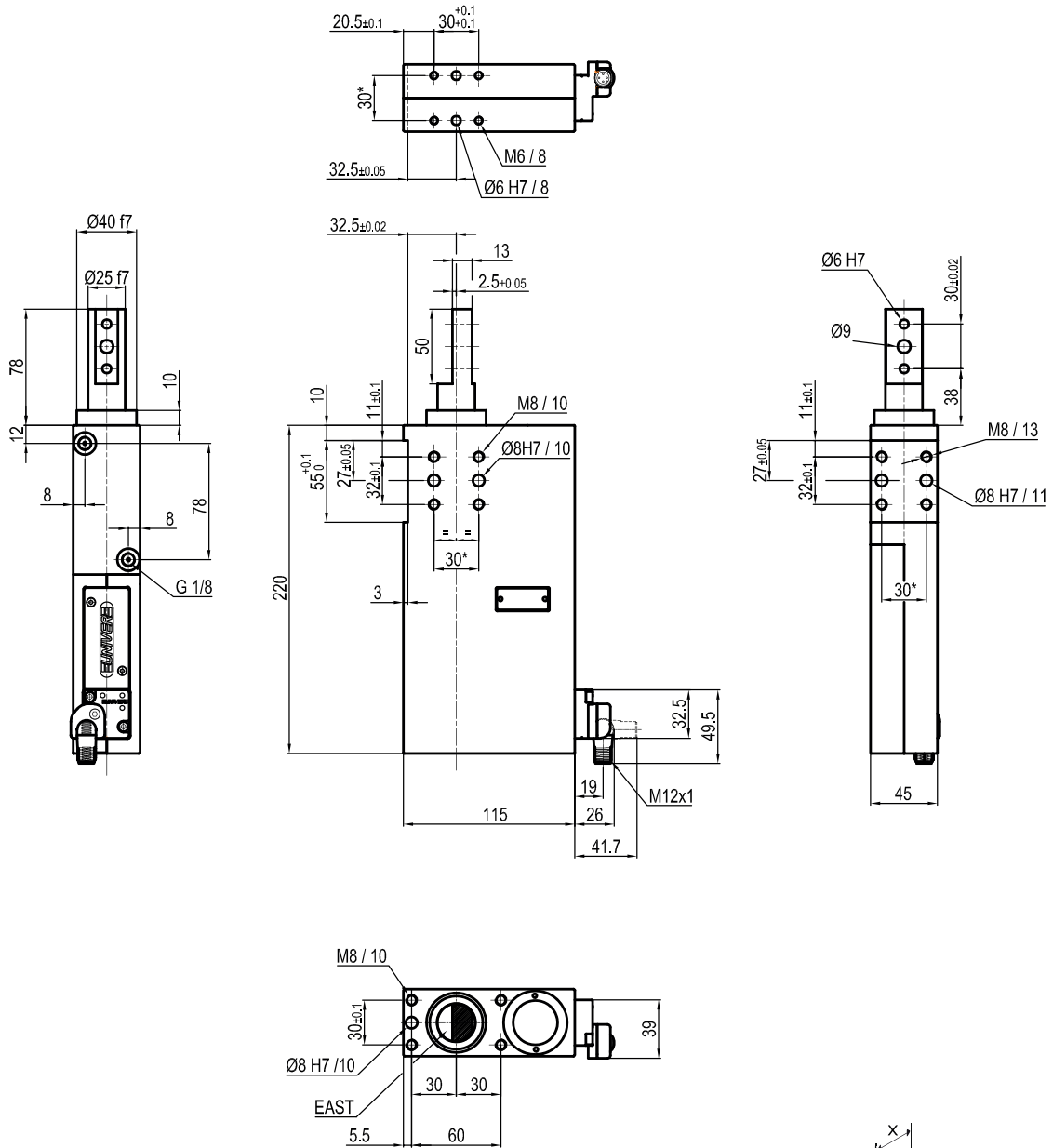
METAL SCRAPER



ANTI ROTATION

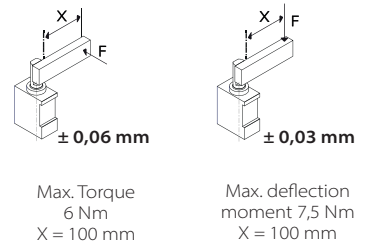
<p>1 SERIES UL = UNICLAMP locating pin unit</p> <p>2 VERSION Z = Pneumatic, with toggle-joint mechanism, single rod</p> <p>3 SIZE 40 = Ø40 mm</p> <p>4 STROKE 040 = 40 mm</p> <p>5 ROD END STYLE A = Rod for offset pins B = Rod with profiled end C = Rod with cross-profiled end inner Ø16 mm D = Rod for offset pins with oversized dowel holes</p>	<p>6 ROD ORIENTATION X = Symmetrical</p> <p>E* = East </p> <p>O* = West </p> <p>N* = North </p> <p>S* = South </p> <p>*only with "A" and "D" rod style</p> <p>7 SENSOR N = No sensor (with protection plate) K = Electronic sensor PNP, M12 (DF-K) J = Electronic sensor NPN, optical (DF-J) Y = Electronic sensor PNP, M12 (DF-Y) white LED</p> <p>8 PRODUCT REVISION Assigned by UNIVER</p> <p>9 ATEX X = ATEX option See ATEX Catalogue for types and versions</p>
---	---

A Rod for offset pins



East West North South

*TOLERANCE BETWEEN DOWELS ± 0,02 BETWEEN SCREW HOLES ± 0,1



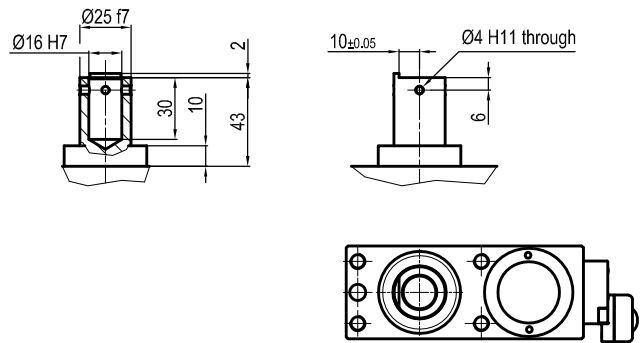
Sensors



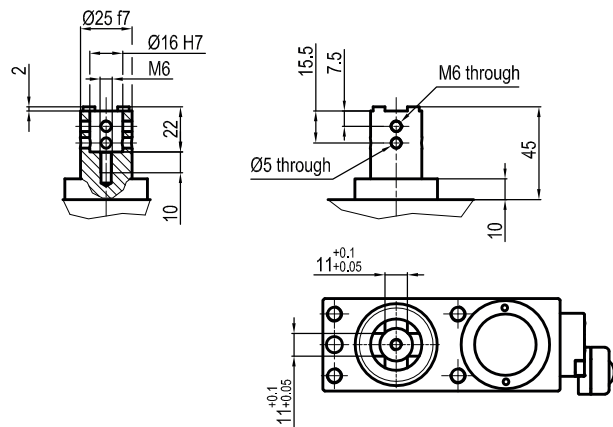
Electronic (optical)

- DF-K PNP M12
- DF-J NPN M12
- DF-Y PNP M12 White LED

B Rod with profiled end

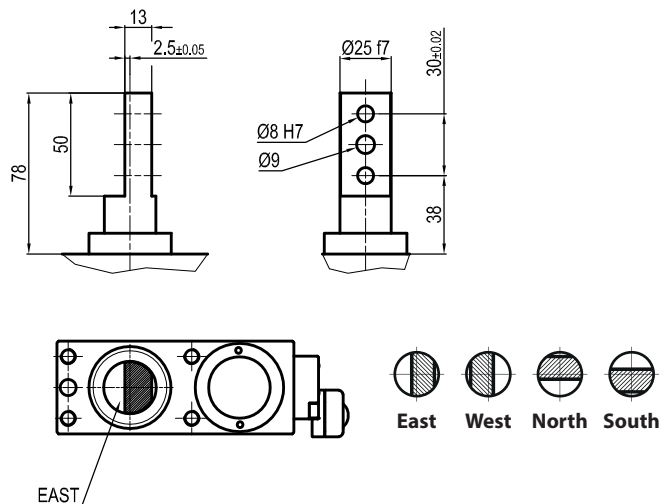


C Rod with cross-profiled end
Inner Ø16 mm



D Rod for offset pins
Oversized dowel holes

Max. deflection moment 7,5 Nm



ULY 40

Irreversible pneumatic retractable locating pin unit, single rod, Ø40 mm with hand lever

Irreversible pneumatic retractable locating pin unit, single rod, typically used in welding applications to locate metal sheets in a definite position.

- Toggle-joint system to hold the position even in case of air loss
- Metal rod scraper
- Antirotation system
- Electronic sensor
- Many rod end styles available
- Ergonomic hand lever



CHARACTERISTICS

Operating temperature	5° ÷ 45° C
Min./Max. operating pressure	0,4 / 0,6 MPa
Bore Ø	40 mm
Min. Pull force (0,5 MPa)	200 N
Max Push force (0,5 MPa)**	3100 N
Max. Torque (6 Nm)	± 0,06 mm
Max. Deflection (7,5 Nm)	± 0,03 mm
Manual Max. Torque	40 Nm
Weight	5,7 Kg
Pneumatic supply ports	G 1/8
Sensor	electronic (optical)
Supply voltage	10 ÷ 30 Vdc
IP code	IP 65

**Max. push force at end stroke position

CODIFICATION KEY

UL | Y | 40 | 040 | A | E | K | 0 | | |

1 2 3 4 5 6 7 8 9



IRREVERSIBLE



OPTICAL SENSOR



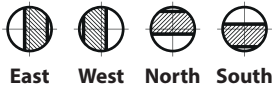
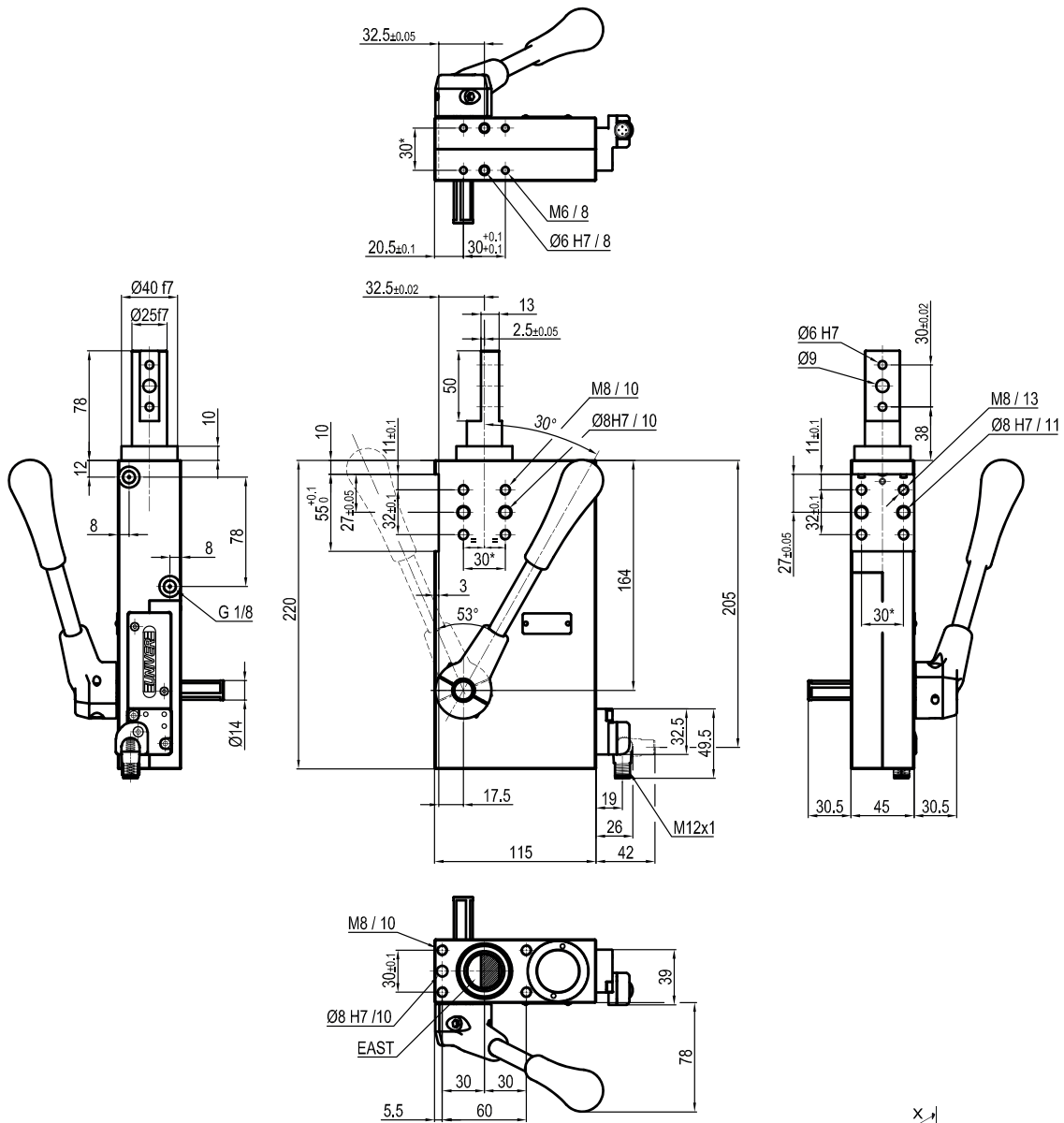
METAL SCRAPER



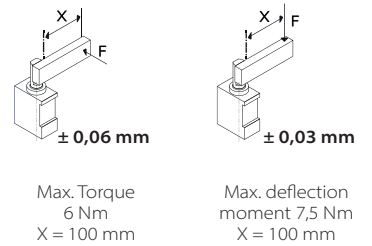
ANTI ROTATION

<p>1 SERIES UL = UNICLAMP locating pin unit</p> <p>2 VERSION Y = Pneumatic, with toggle-joint mechanism, single rod and hand lever</p> <p>3 SIZE 40 = Ø40 mm</p> <p>4 STROKE 040 = 40 mm</p> <p>5 ROD END STYLE A = Rod for offset pins B = Rod with profiled end C = Rod with cross-profiled end inner Ø16 mm D = Rod for offset pins with oversized dowel holes</p>	<p>6 ROD ORIENTATION X = Symmetrical</p> <p>E* = East </p> <p>O* = West </p> <p>N* = North </p> <p>S* = South </p> <p>*only with "A" and "D" rod style</p> <p>7 SENSOR N = No sensor (with protection plate) K = Electronic sensor PNP, M12 (DF-K) J = Electronic sensor NPN, optical (DF-J) Y = Electronic sensor PNP, M12 (DF-Y) white LED</p> <p>8 PRODUCT REVISION Assigned by UNIVER</p> <p>9 ATEX X = ATEX option See ATEX Catalogue for types and versions</p>
--	---

A Rod for offset pins



*TOLERANCE BETWEEN DOWELS ± 0,02 BETWEEN SCREW HOLES ± 0,1



Sensors



Electronic (optical)

- DF-K PNP M12
- DF-J NPN M12
- DF-Y PNP M12 White LED

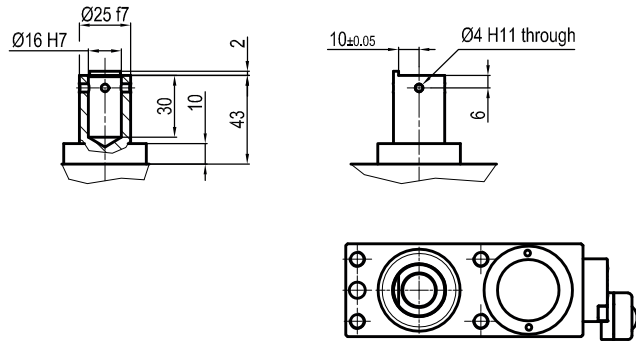
Accessories



Handlever

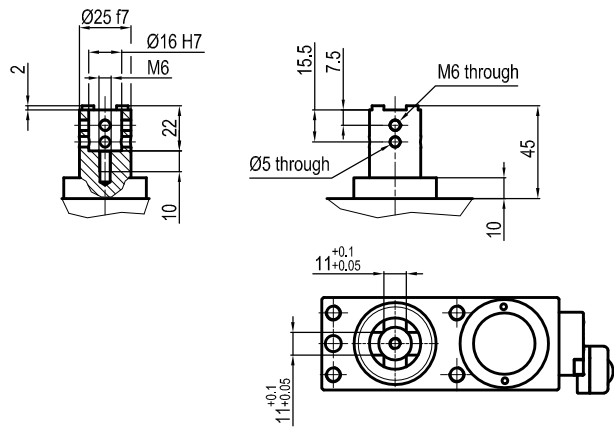
UBF2540

B Rod with profiled end

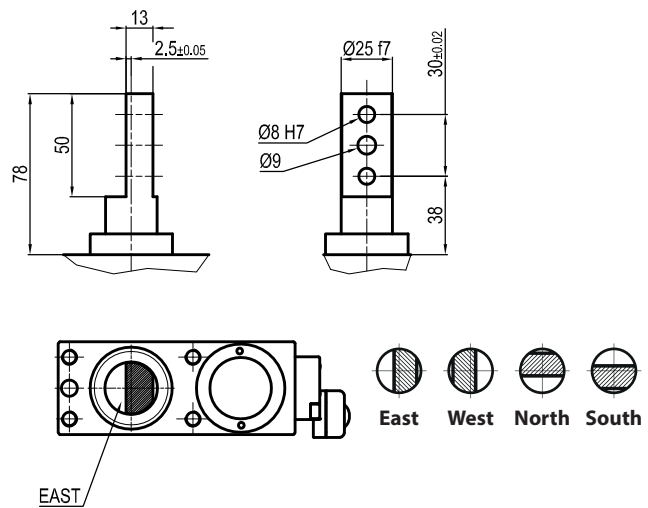


3

C Rod with cross-profiled end
Inner Ø16 mm



D Rod for offset pins
Oversized dowel holes

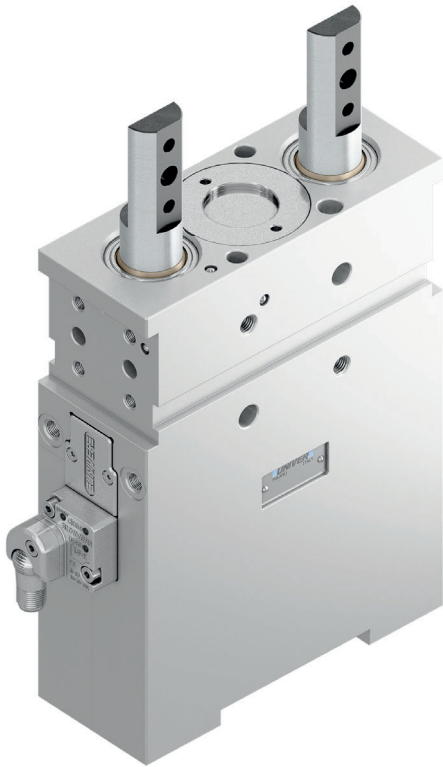


ULT 50

Irreversible pneumatic retractable locating pin unit, double rod, Ø50 mm

Irreversible pneumatic retractable locating pin unit, double rod, typically used in welding applications to locate metal sheets in a definite position.

- Metal rod scraper
- Optical sensor
- Rod orientation adjustable by the user
- Version with hand lever available (ULX)



3

CHARACTERISTICS

Operating temperature	5° ÷ 45° C
Min./Max. operating pressure	0,4 / 0,6 MPa
Bore Ø	50 mm
Min Pull force (0,5 MPa)	500 N
Max Push force (0,5 MPa)**	7150 N
Max. Torque (20 Nm)	± 0,1 mm
Max. Deflection (20 Nm)	± 0,07 mm
Max. side load	400 N
Max. deflection (40 mm stroke at max. load)	0,1 mm
Max. offset (from middle point)	200 mm
Weight	7,3 Kg
Pneumatic supply ports	G1/8
Sensor	electronic (optical)
Supply voltage	10 ÷ 30 Vdc
IP code	IP 65

**Max. push force at end stroke position

CODIFICATION KEY

UL | T | 50 | 040 | G | K | 0 | |

1 2 3 4 5 6 7 8



IRREVERSIBLE



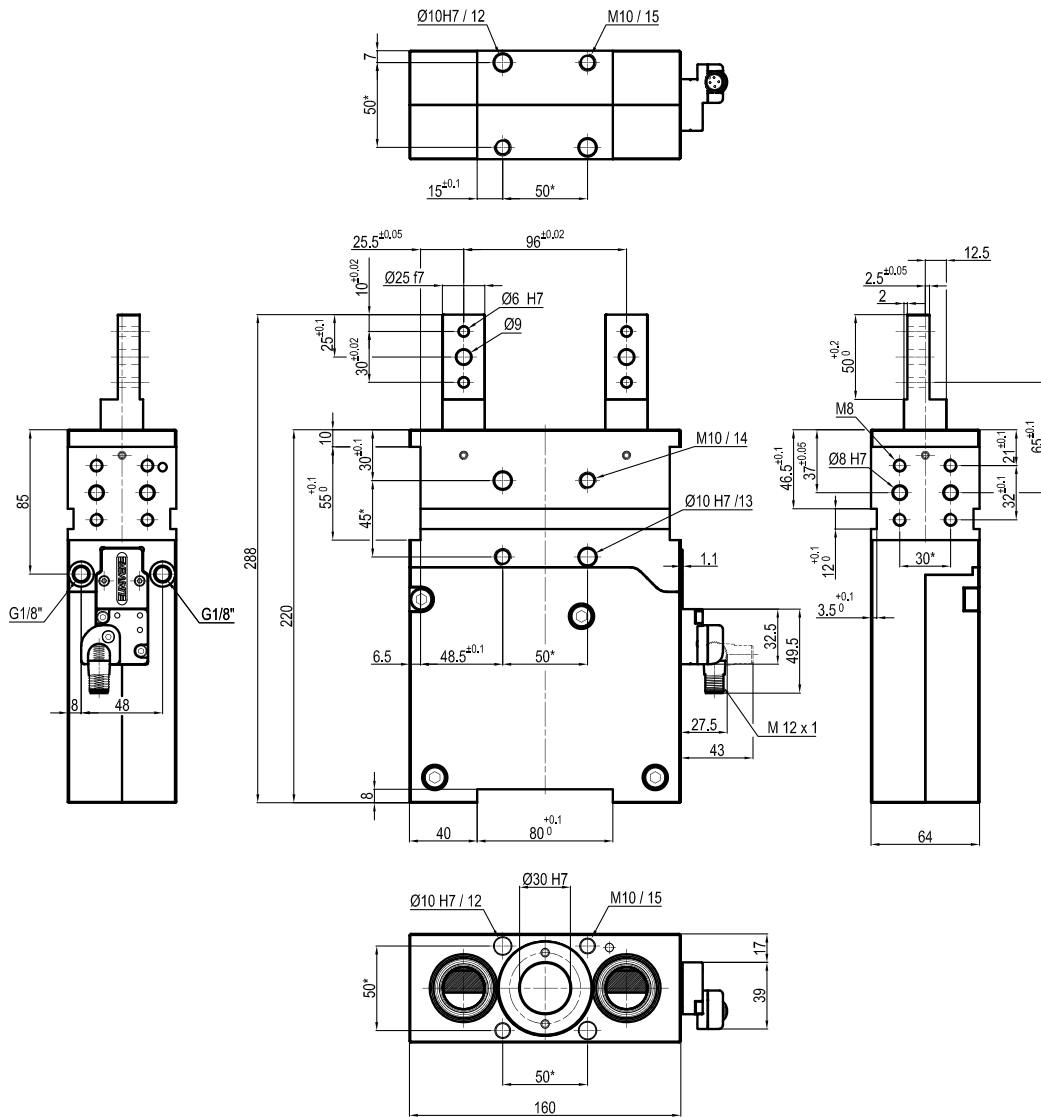
OPTICAL SENSOR



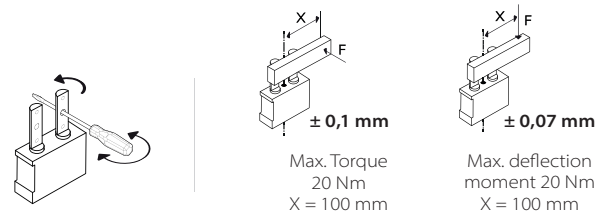
METAL SCRAPER

1	SERIES UL = UNICLAMP locating pin unit	6	SENSOR N = No sensor (with protection plate) K = Electronic sensor PNP, M12 (DF-K) J = Electronic sensor NPN, optical (DF-J) Y = Electronic sensor PNP, M12 (DF-Y) white LED
2	VERSION T = Pneumatic, with toggle-joint mechanism double orientable rod	7	PRODUCT REVISION Assigned by UNIVER
3	SIZE 50 = Ø50 mm	8	ATEX X = ATEX option See ATEX Catalogue for types and versions
4	STROKE 040 = 40 mm		
5	ROD END STYLE A = Rod for offset pins G = Rod for offset pins (rod plane matching body middle axis)		

A Rod for offset pins



*TOLERANCE BETWEEN DOWELS ± 0,02 BETWEEN SCREW HOLES ± 0,1



Sensors

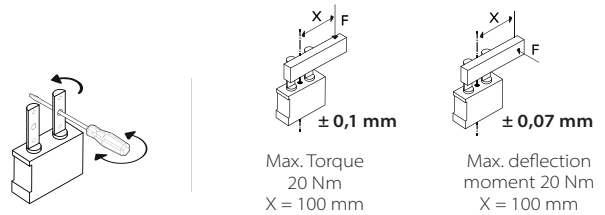
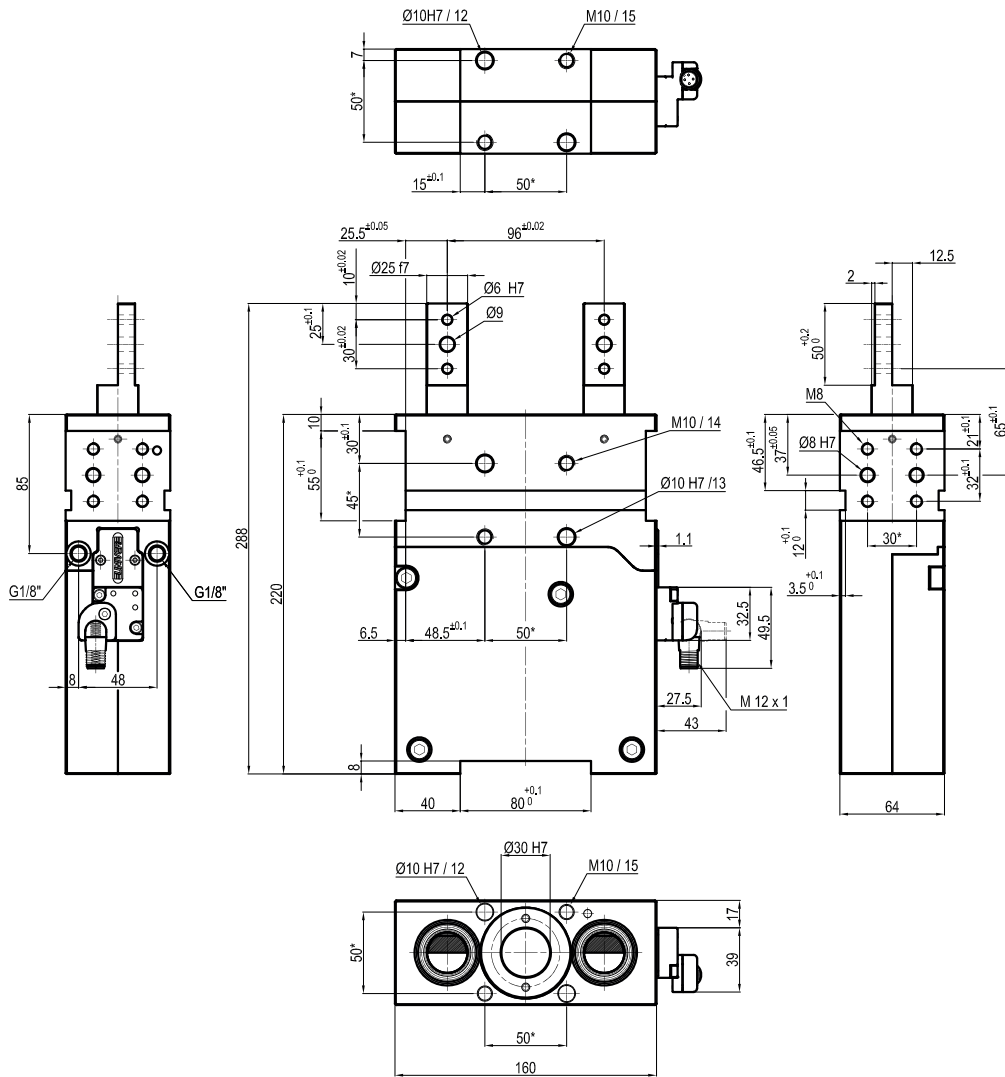


Electronic (optical)

- DF-K PNP M12
- DF-J NPN M12
- DF-Y PNP M12 White LED

G Rod for offset pins
Rod plane matching body middle axis

3



*TOLERANCE BETWEEN DOWELS ± 0,02 BETWEEN SCREW HOLES ± 0,1

Sensors



Electronic (optical)

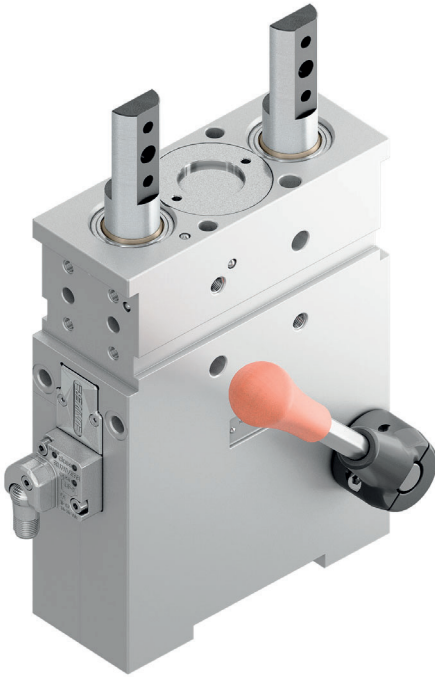
- DF-K PNP M12
- DF-J NPN M12
- DF-Y PNP M12 White LED

ULX 50

Irreversible pneumatic retractable locating pin unit, double rod, Ø50mm with hand lever

Irreversible pneumatic retractable locating pin unit, double rod, typically used in welding applications to locate metal sheets in a definite position.

- Metal rod scraper
- Optical sensor
- Rod orientation adjustable by the user



CHARACTERISTICS

Operating temperature	5° ÷ 45° C
Min./Max. operating pressure	0,4 / 0,6 MPa
Bore Ø	50 mm
Min. Pull force (0,5 MPa)	500 N
Max Push force (0,5 MPa)**	7150 N
Max. Torque (20 Nm)	± 0,1 mm
Max. Deflection (20 Nm)	± 0,07 mm
Max. side load	400 N
Max. deflection (40 mm stroke at max. load)	0,1 mm
Max. offset (from middle point)	200 mm
Weight	7,3 Kg
Pneumatic supply ports	G1/8
Sensor	electronic (optical)
Supply voltage	10 ÷ 30 Vdc
IP code	IP 65

**Max. push force at end stroke position

CODIFICATION KEY

UL | X | 50 | 040 | G | K | 0 | |
 1 2 3 4 5 6 7 8



IRREVERSIBLE



OPTICAL SENSOR

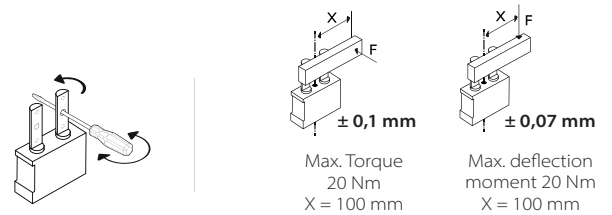
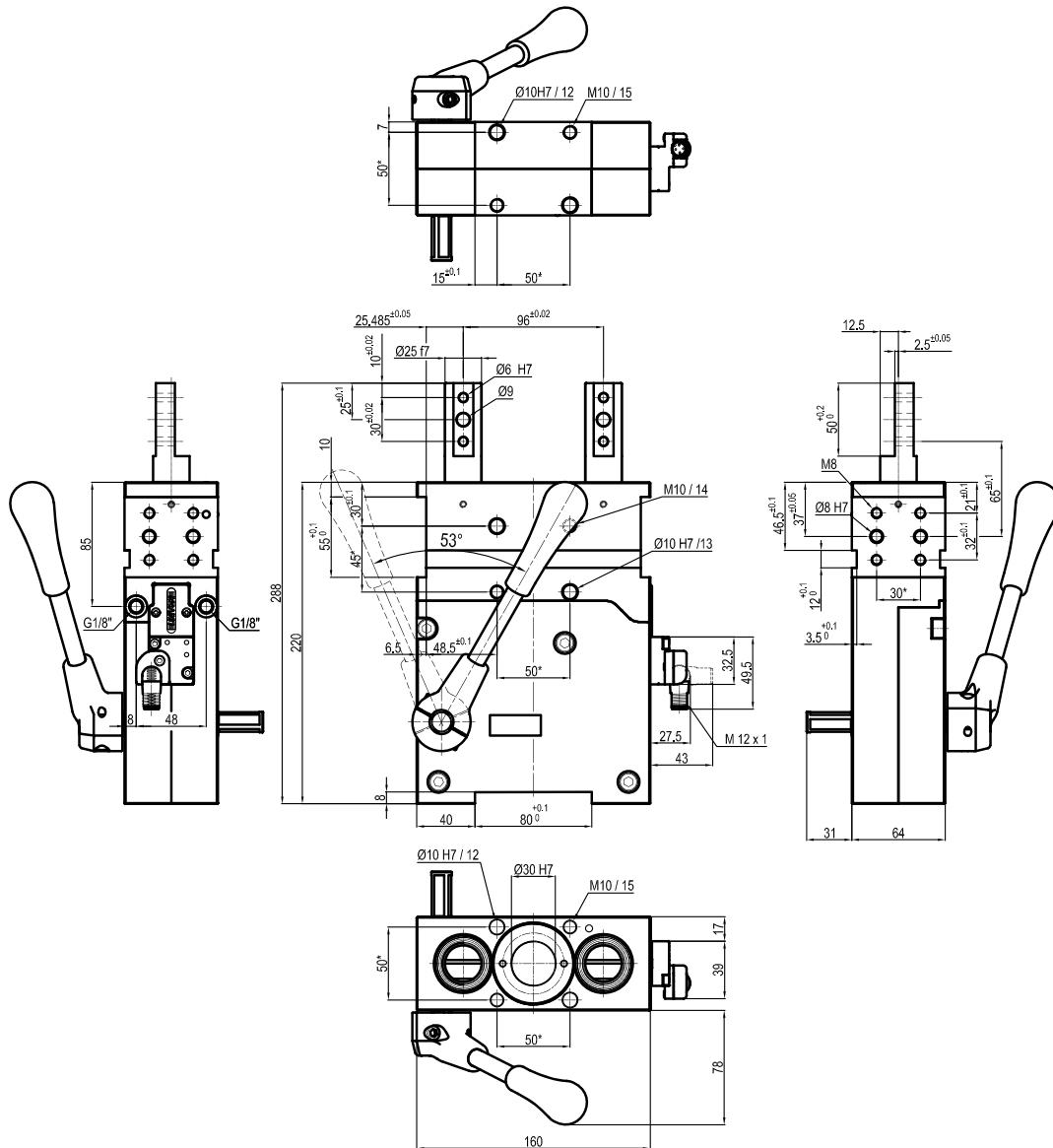


METAL SCRAPER

<p>1 SERIES UL = UNICLAMP locating pin unit</p> <p>2 VERSION X = Pneumatic, with toggle-joint mechanism double orientable rod and hand lever</p> <p>3 SIZE 50 = Ø50 mm</p> <p>4 STROKE 040 = 40 mm</p> <p>5 ROD END STYLE A = Rod for offset pins G = Rod for offset pins (rod plane matching body middle axis)</p>	<p>6 SENSOR N = No sensor (with protection plate) K = Electronic sensor PNP, M12 (DF-K) J = Electronic sensor NPN, optical (DF-J) Y = Electronic sensor PNP, M12 (DF-Y) white LED</p> <p>7 PRODUCT REVISION Assigned by UNIVER</p> <p>8 ATEX X = ATEX option See ATEX Catalogue for types and versions</p>
--	---

A Rod for offset pins

3



*TOLERANCE BETWEEN DOWELS ± 0,02 BETWEEN SCREW HOLES ± 0,1

Sensors



Electronic (optical)

- DF-K PNP M12
- DF-J NPN M12
- DF-Y PNP M12 White LED

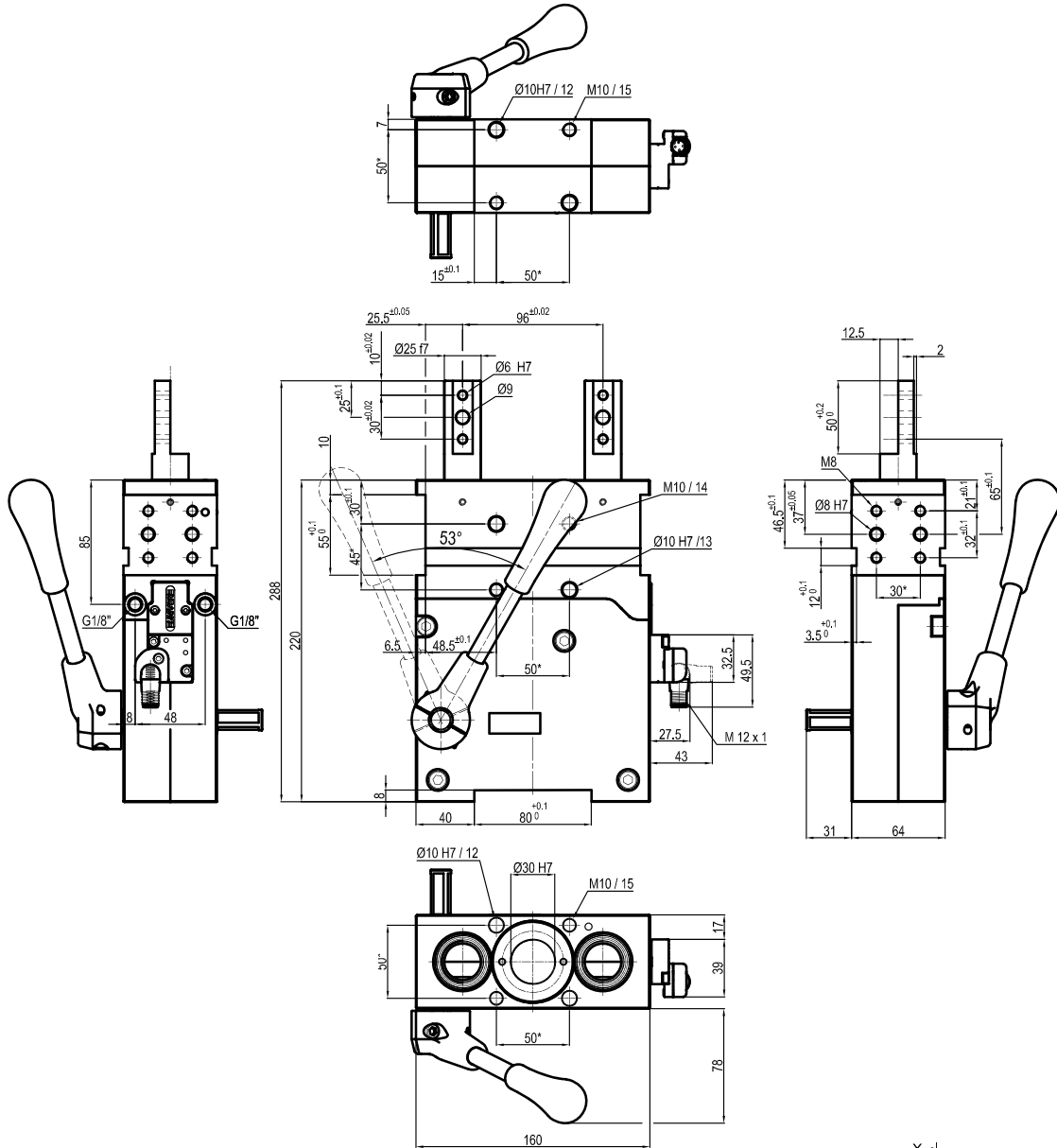
Accessories



Handlever

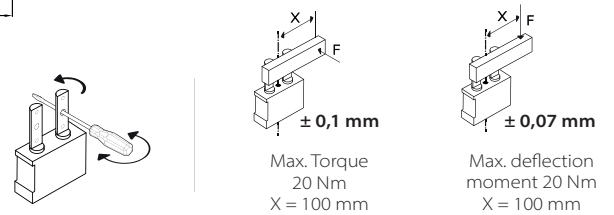
UBF255063

G Rod for offset pins
Rod plane matching body middle axis



3

*TOLERANCE BETWEEN DOWELS ± 0,02 BETWEEN SCREW HOLES ± 0,1



Sensors



Electronic (optical)

- DF-K PNP M12
- DF-J NPN M12
- DF-Y PNP M12 White LED

Accessories



Handlever

UBF255063

ULL 50

Manual retractable locating pin unit, Ø50 mm with hand lever

Manual retractable locating pin unit, single rod, with hand lever typically used in welding applications to locate metal sheets in a definite position.

- Metal rod scraper
- Antirotation system
- Electronic sensor
- Many rod end styles available
- Ergonomic hand lever



3

CHARACTERISTICS

Operating temperature	5° ÷ 45° C
Min./Max. operating pressure	0,4 / 0,6 MPa
Bore Ø	50 mm
Max. Torque (6 Nm)	± 0,06 mm
Max. Deflection (7,5 Nm)	± 0,03 mm
Weight	2,5 Kg
Sensor	electronic (optical)
Supply voltage	10 ÷ 30 Vdc
IP code	IP 65

CODIFICATION KEY

UL | L | 50 | 040 | C | X | K | 0 |

1 2 3 4 5 6 7 8 9

OPTICAL SENSOR

METAL SCRAPER

ANTI ROTATION

1 SERIES
UL = UNICLAMP locating pin unit

2 VERSION
L = Manual with hand lever

3 SIZE
50 = Ø50 mm

4 STROKE
040 = 40 mm

5 ROD END STYLE
 A = Rod for offset pins
 B = Rod with profiled end
 C = Rod with cross-profiled end inner Ø 16 mm
 D = Rod for offset pins with oversized dowel holes
 E = Rod with cross profiled end inner Ø 10 mm
 F = Compatible with NAAMS, inner Ø 16
 H = Rod with flat end, inner Ø10 mm
 I = Rod with flat end, inner Ø12 mm
 L* = Rod with inner Ø12 mm
 M* = Rod with inner Ø 20 mm
 *compatible with CNOMO standard

6 ROD ORIENTATION
X = Symmetrical

E* = East

O* = West

N* = North

S* = South

*only with "A" and "D" rod style

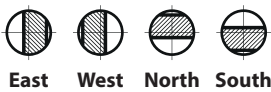
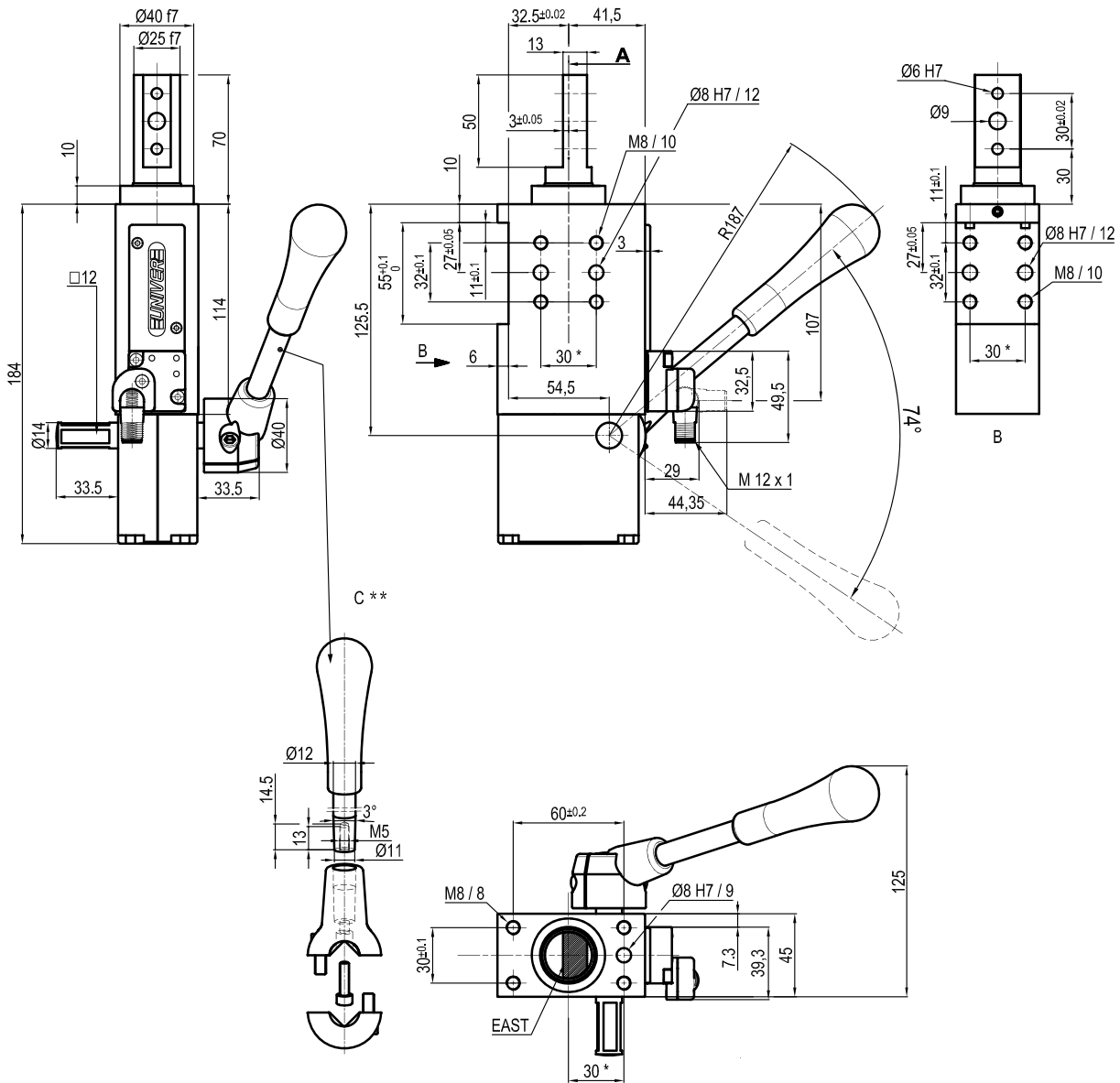
7 SENSOR
 N = No sensor (with protection plate)
 K = Electronic sensor PNP, M12 (DF-K)
 D = Pneumatic sensor (DF-UPNW)
 J = Electronic sensor NPN, optical (DF-J)
 Y = Electronic sensor PNP, M12 (DF-Y) white LED

8 PRODUCT REVISION
Assigned by UNIVER

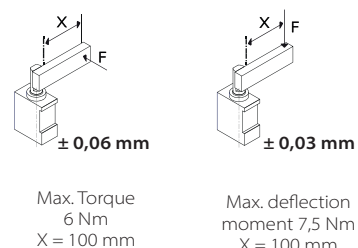
9 ATEX
 X = ATEX option
 See ATEX Catalogue for types and versions

A Rod for offset pins

3



*TOLERANCE BETWEEN DOWELS ± 0,02 BETWEEN SCREW HOLES ± 0,1
 **DIMENSIONS TO BE RESPECTED IN CASE OTHER MANUAL LEVERS ARE USED



Sensors



Electronic (optical)
 DF-K PNP M12
 DF-J NPN M12
 DF-Y PNP M12 White LED



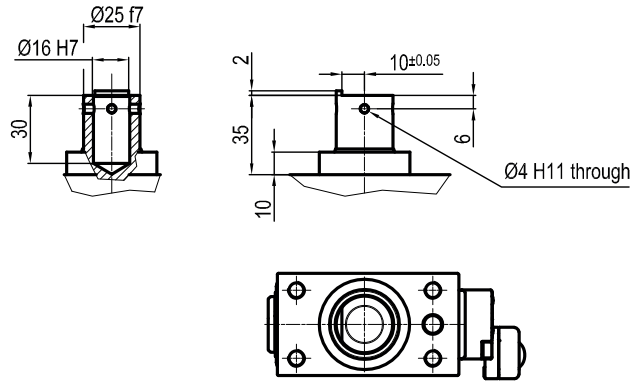
Pneumatic
 DF-UPNW

Accessories



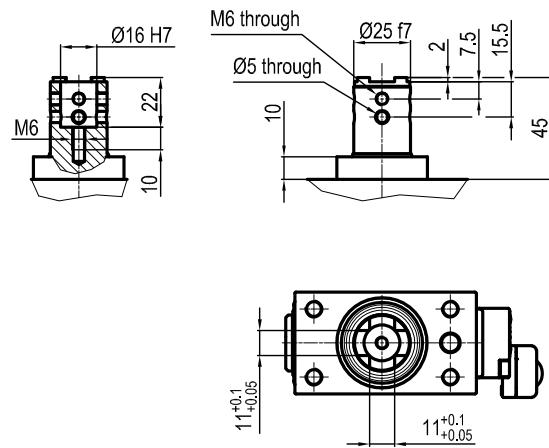
Handlever
 UBF255063

B Rod with profiled end

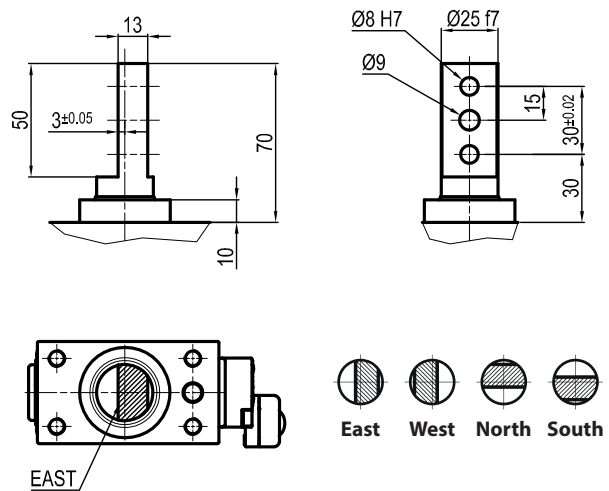


3

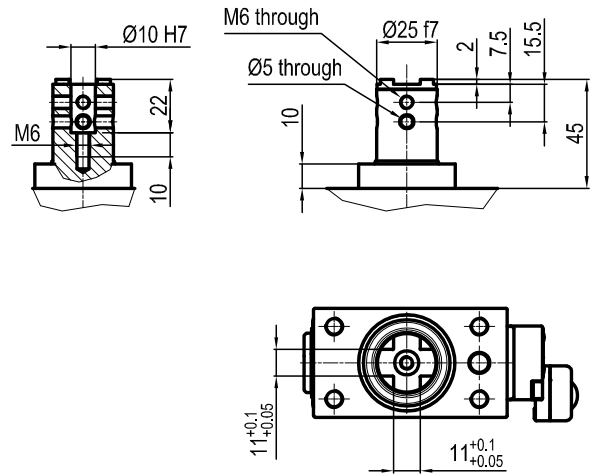
C Rod with cross-profiled end
Inner Ø16 mm



D Rod for offset pins
Oversized dowel holes

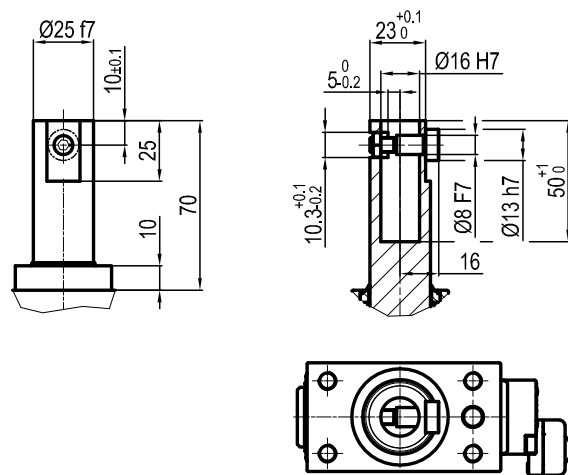


E Rod with cross-profiled end
Inner Ø10 mm

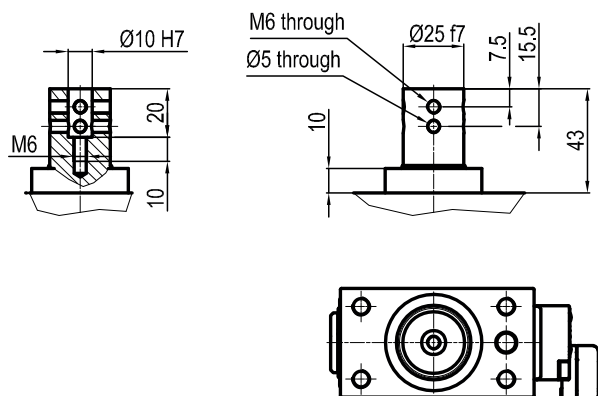


3

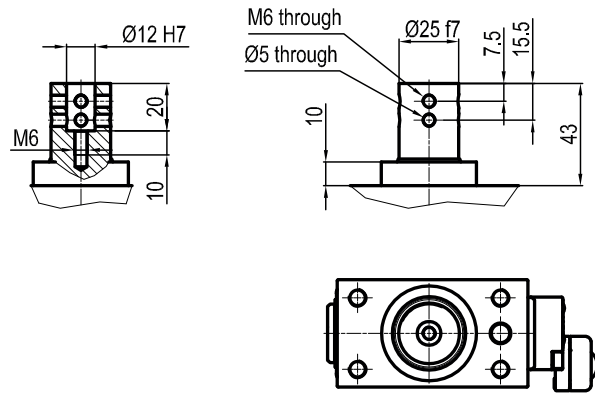
F Compatible with NAAMS
Inner Ø16 mm



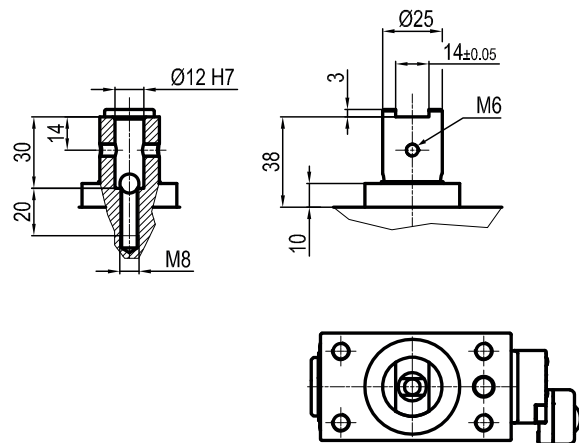
H Rod with flat end
Inner Ø10 mm



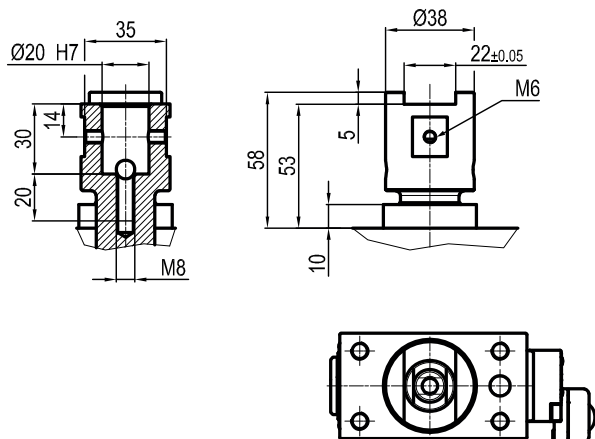
I Rod with flat end
Inner Ø12 mm



L Rod compatible with CNOMO standard
Inner Ø12 mm



M Rod compatible with CNOMO standard
Inner Ø20 mm

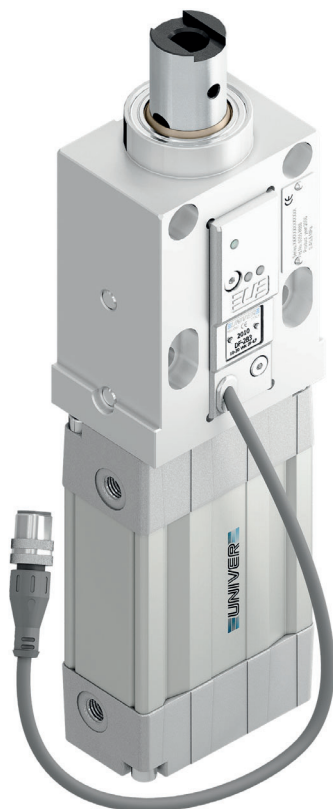


LCG 50

Pneumatic retractable pin units, Ø50 mm, single rod CNOMO standard

Pneumatic retractable pin unit, conforming to CNOMO standard, single rod, typically used in welding applications to locate metal sheets in a definite position.

- Metal rod scraper
- Antirotation system
- Electronic sensor with M12 connector
- Rod's inner diameter Ø12 and Ø20 available



3

CHARACTERISTICS

Operating temperature	5° ÷ 45° C
Min./Max. operating pressure	0,4 / 0,6 MPa
Bore Ø	50 mm
Weight	2,1 Kg
Pneumatic supply ports	G1/8 on both sides
Sensor	electronic with M12
Supply voltage	10 ÷ 30 Vdc
IP code	IP 65

CODIFICATION KEY

LC	G	50	050	U	12	R
1	2	3	4	5	6	7



LIGHTWEIGHT



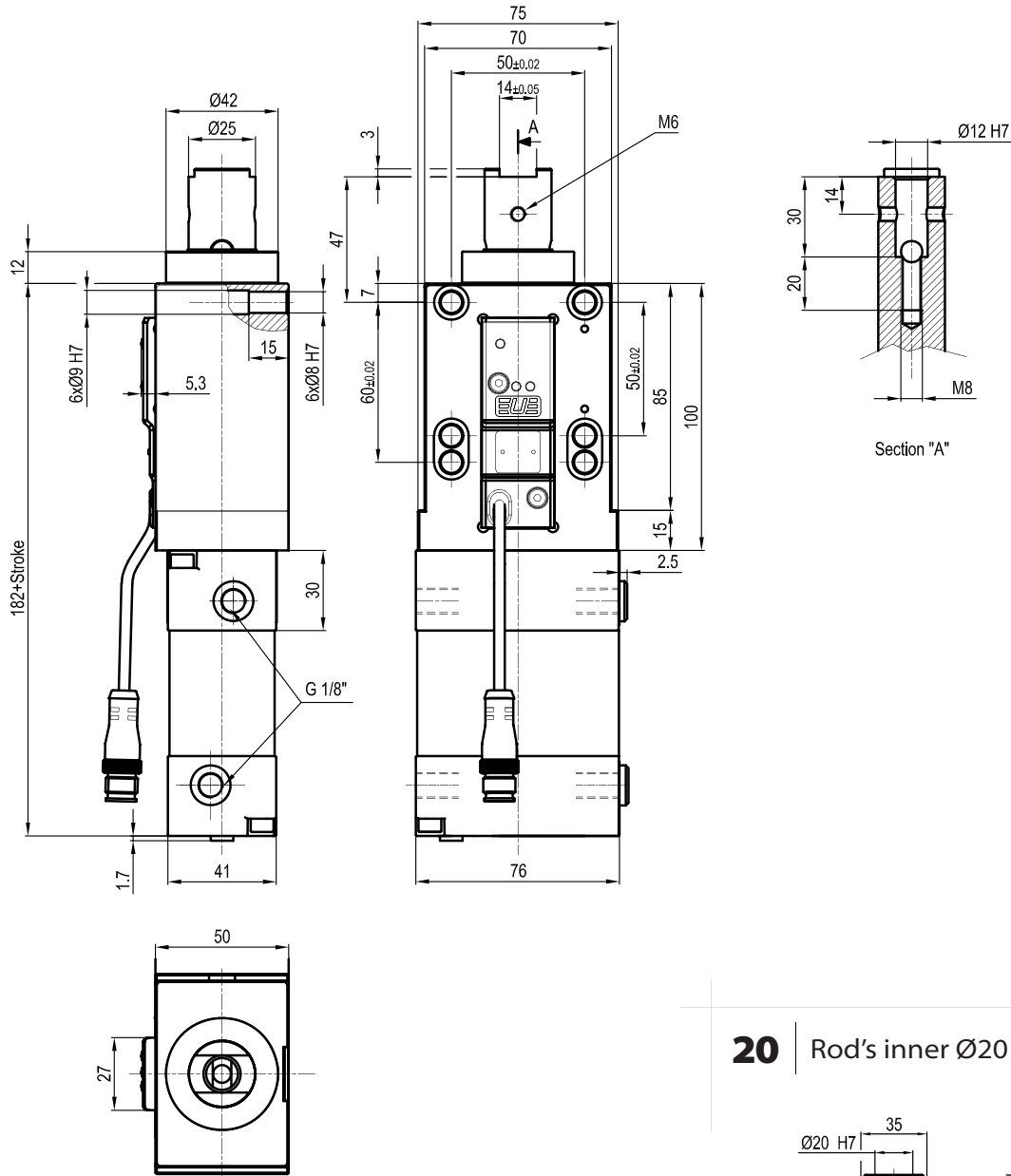
METAL SCRAPER



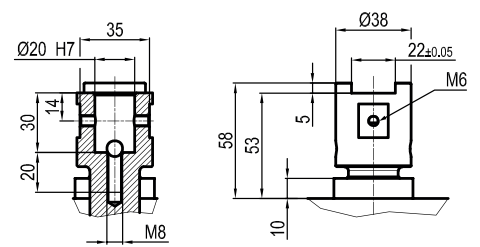
ANTI ROTATION

1	SERIES LC = Locating retractable pin unit conforming to CNOMO standard	5	SENSOR U = Electronic sensor, M12 (DF-2B3)
2	VERSION G = Pneumatic, single rod	6	ROD'S INNER Ø 12 = Ø12 mm 20 = Ø20 mm
3	SIZE 50 = Ø50 mm	7	ROD SCRAPER R = Metallic rod scraper
4	STROKE 025 = 25 mm 050 = 50 mm		

12 Rod's inner Ø12 mm



20 Rod's inner Ø20 mm



Sensors



Electronic

DF-2B3

LCG 63

Pneumatic retractable pin units, Ø63 mm, single rod CNOMO standard

Pneumatic retractable pin unit, conforming to CNOMO standard, single rod, typically used in welding applications to locate metal sheets in a definite position.

- Metal rod scraper
- Antirotation system
- Electronic sensor with M12 connector
- Rod's inner diameter Ø12 and Ø20 available



CHARACTERISTICS

Operating temperature	5° ÷ 45° C
Min./Max. operating pressure	0,4 / 0,6 MPa
Bore Ø	63 mm
Weight	2,5 Kg
Pneumatic supply ports	G1/8 on both sides
Sensor	electronic with M12
Supply voltage	10 ÷ 30 Vdc
IP code	IP 65

CODIFICATION KEY

LC	G	63	050	U	12	R
1	2	3	4	5	6	7



LIGHTWEIGHT



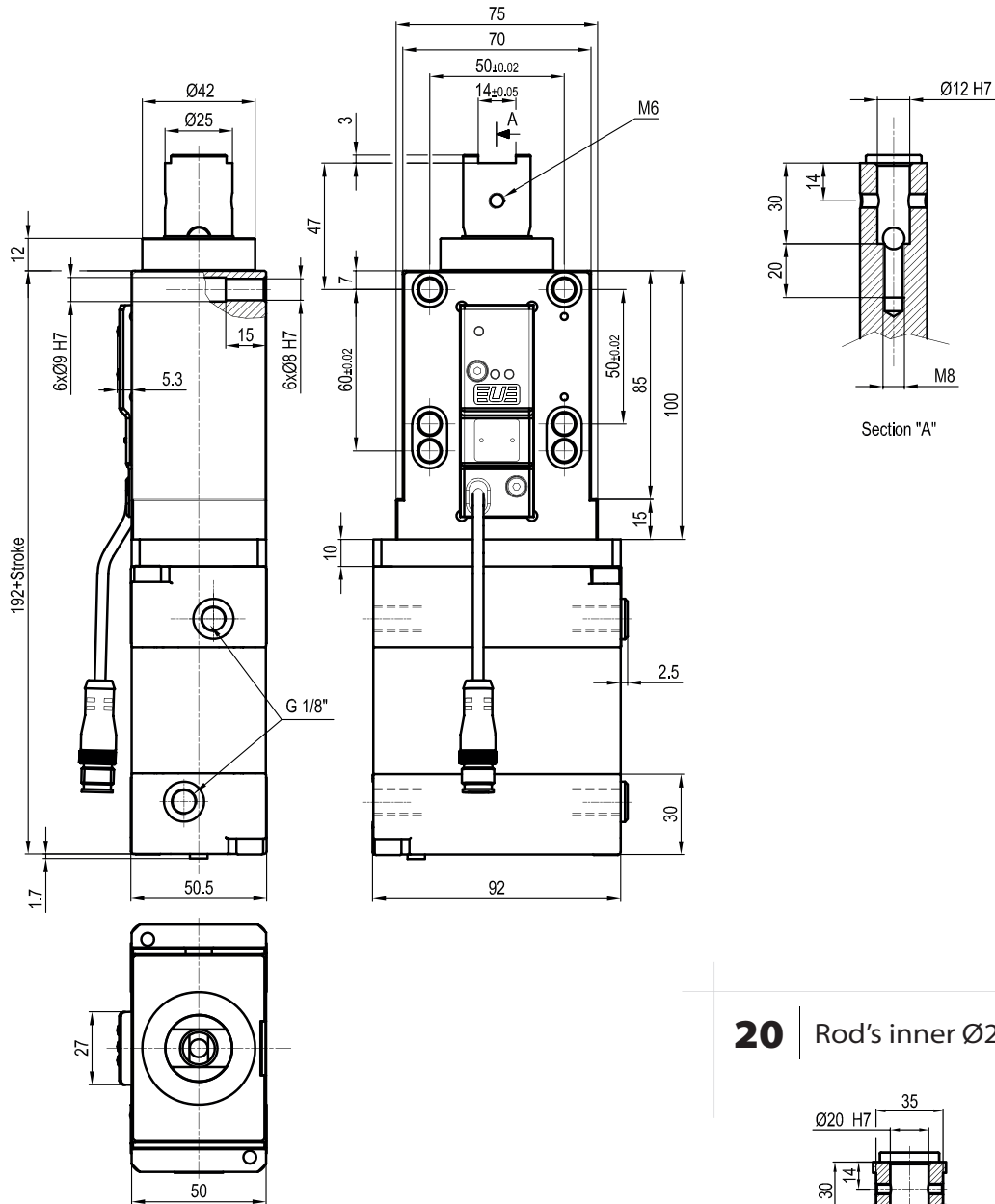
METAL SCRAPER



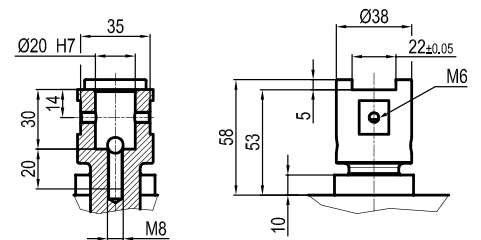
ANTI ROTATION

1	SERIES LC = Locating retractable pin unit conforming to CNOMO standard	5	SENSOR U = Electronic sensor, M12 (DF-2B3)
2	VERSION G = Pneumatic, single rod	6	ROD'S INNER Ø 12 = Ø12 mm 20 = Ø20 mm
3	SIZE 63 = Ø63 mm	7	ROD SCRAPER R = Metallic rod scraper
4	STROKE 025 = 25 mm 050 = 50 mm		

12 Rod's inner Ø12 mm



20 Rod's inner Ø20 mm



Sensors



Electronic

DF-2B3

LCQ 50

Pneumatic retractable pin units, Ø50 mm, single rod, CNOMO standard with hand lever

Pneumatic retractable pin unit, conforming to CNOMO standard, single rod and hand lever. Typically used in welding applications to locate metal sheets in a definite position.

- Metal rod scraper
- Antirotation system
- Electronic sensor with M12 connector
- Rod's inner diameter Ø12 and Ø20 available



CHARACTERISTICS

Operating temperature	5° ÷ 45° C
Min./Max. operating pressure	0,4 / 0,6 MPa
Bore Ø	50 mm
Weight	3,2 Kg
Pneumatic supply ports	G1/8 on both sides
Sensor	electronic with M12
Supply voltage	10 ÷ 30 Vdc
IP code	IP 65

CODIFICATION KEY

LC | Q | 50 | 050 | U | 12 | R

1 2 3 4 5 6 7



LIGHTWEIGHT



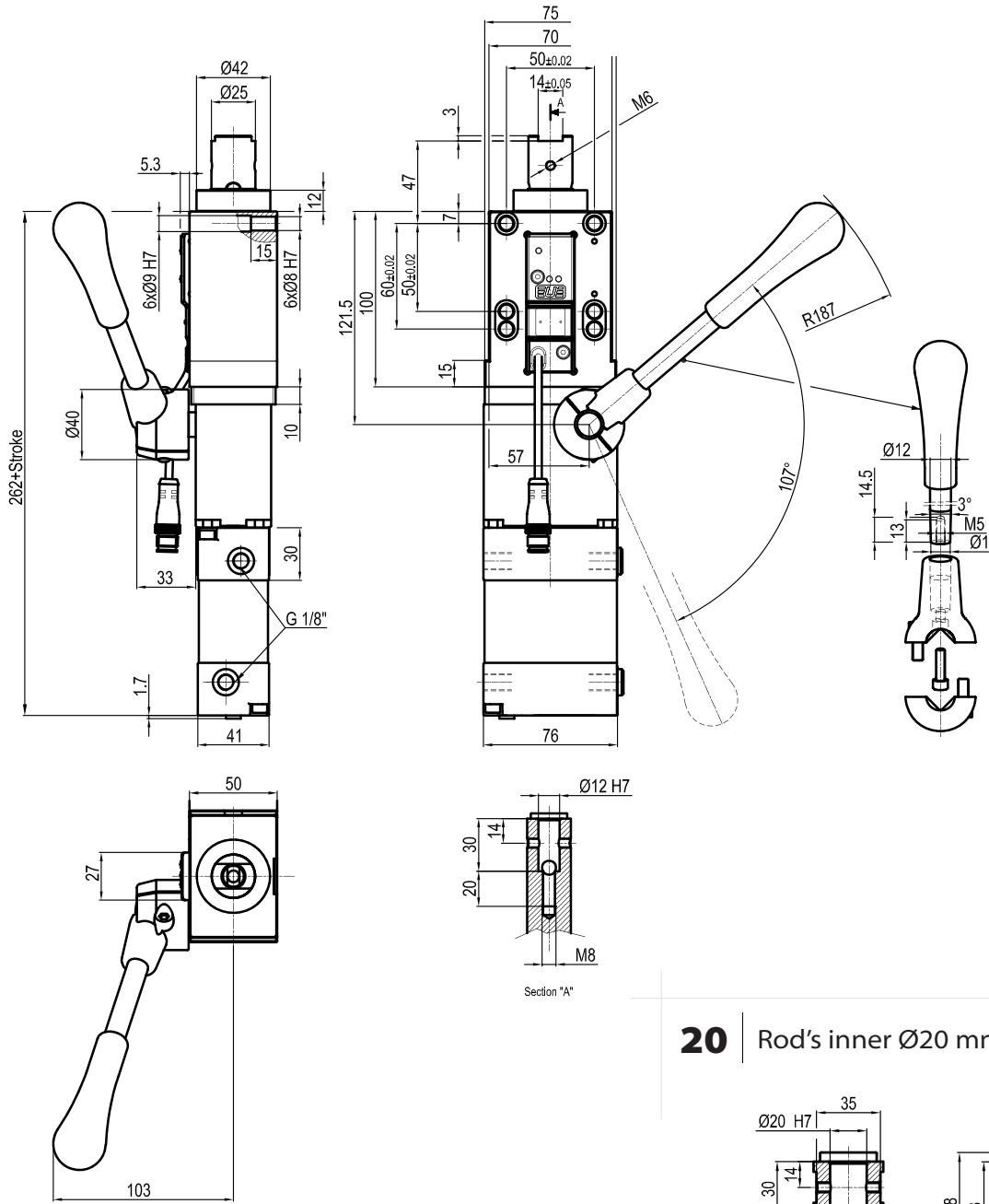
METAL SCRAPER



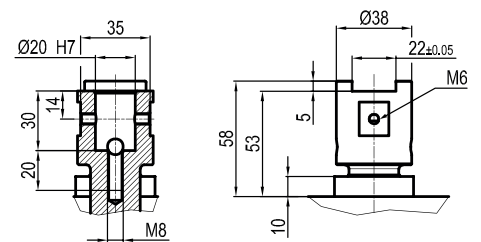
ANTI ROTATION

1	SERIES LC = Locating retractable pin unit conforming to CNOMO standard	5	SENSOR U = Electronic sensor, M12 (DF-2B3)
2	VERSION Q = Pneumatic, single rod with hand lever	6	ROD'S INNER Ø 12 = Ø12 mm 20 = Ø20 mm
3	SIZE 50 = Ø50 mm	7	ROD SCRAPER R = Metallic rod scraper
4	STROKE 025 = 25 mm 050 = 50 mm		

12 Rod's inner Ø12 mm



20 Rod's inner Ø20 mm



Sensors



Electronic
DF-2B3

Accessories



Handlever
UBF255063

LCQ 63

Pneumatic retractable pin units, Ø63 mm, single rod, CNOMO standard with hand lever

Pneumatic retractable pin unit, conforming to CNOMO standard, single rod and hand lever. Typically used in welding applications to locate metal sheets in a definite position.

- Metal rod scraper
- Antirotation system
- Electronic sensor with M12 connector
- Rod's inner diameter Ø12 and Ø20 available



CHARACTERISTICS

Operating temperature	5° ÷ 45° C
Min./Max. operating pressure	0,4 / 0,6 MPa
Bore Ø	63 mm
Weight	3,6 Kg
Pneumatic supply ports	G1/8 on both sides
Sensor	electronic with M12
Supply voltage	10 ÷ 30 Vdc
IP code	IP 65

CODIFICATION KEY

LC | Q | 63 | 050 | U | 12 | R |

1 | 2 | 3 | 4 | 5 | 6 | 7



LIGHTWEIGHT



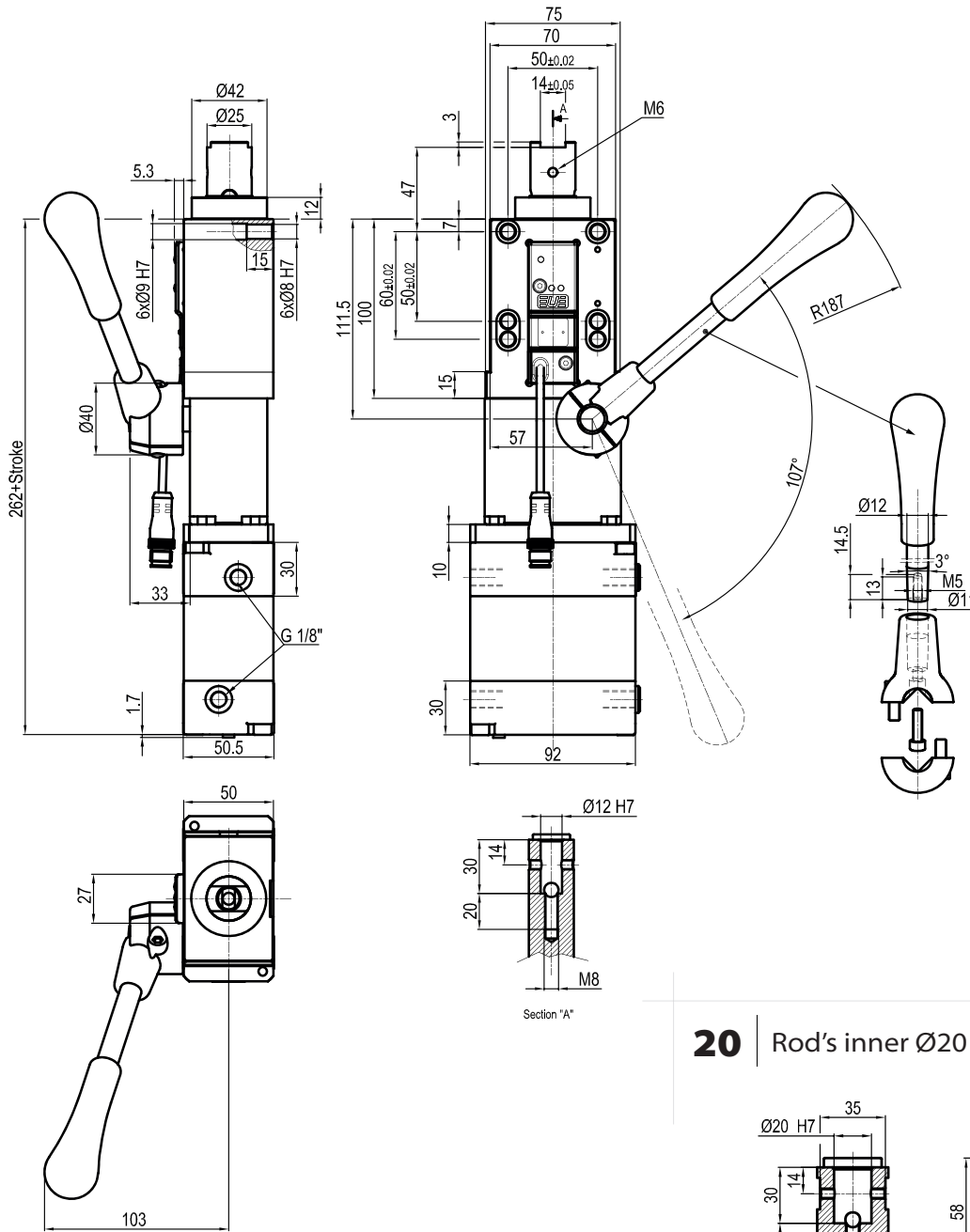
METAL SCRAPER



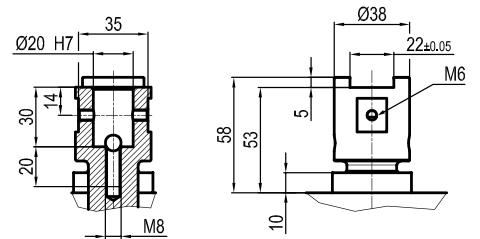
ANTI ROTATION

1	SERIES LC = Locating retractable pin unit conforming to CNOMO standard	5	SENSOR U = Electronic sensor, M12 (DF-2B3)
2	VERSION Q = Pneumatic, single rod with hand lever	6	ROD'S INNER Ø 12 = Ø12 mm 20 = Ø20 mm
3	SIZE 63 = Ø63 mm	7	ROD SCRAPER R = Metallic rod scraper
4	STROKE 025 = 25 mm 050 = 50 mm		

12 Rod's inner Ø12 mm



20 Rod's inner Ø20 mm



Sensors



Electronic
DF-2B3

Accessories



Handlever
UBF255063

4

UNICLAMP

PNEUMATIC GRIPPER UNITS

Ø40mm

UGP40	2
UGM40	8

Ø32-40mm

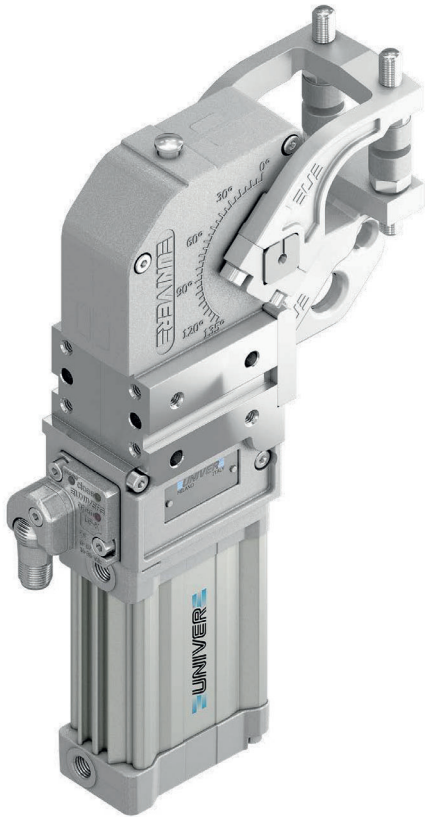
UGPS32	14
UGPS40	20

UGP 40

Pneumatic gripper unit Ø40 mm

Pneumatic gripper unit Ø40 mm typically used on End of Arm Tooling Systems for handling work pieces.

- Stepless adjustable opening angle
- Toggle-joint mechanism
- Integrated compensation
- Double or single movement
- Tips customisation
- Version with hand lever available
- Fixing pattern on 3 sides



4

CHARACTERISTICS

Operating temperature	5° ÷ 45° C
Min./Max. Operating pressure	0,4 / 0,6 MPa
Opening angle*	0° ÷ 95°
Bore Ø	40 mm
Holding moment	600 Nm
Clamping moment (0,5 Mpa)	2800 N
Weight (Tips not included)	2,1 Kg
Tip weight (each)	0,3 Kg
Pneumatic supply ports	G1/8 on both sides
Sensor	electronic (optical)
Supply voltage	10 ÷ 30 Vdc
IP code	IP 65

*The opening angle range may vary according to the arm position and style.

CODIFICATION KEY

UG	P	40	V	B	S	K	0	
1	2	3	4	5	6	7	8	9



COMPENSATION



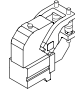
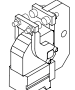
IRREVERSIBLE



ANGLE ADJUSTMENT

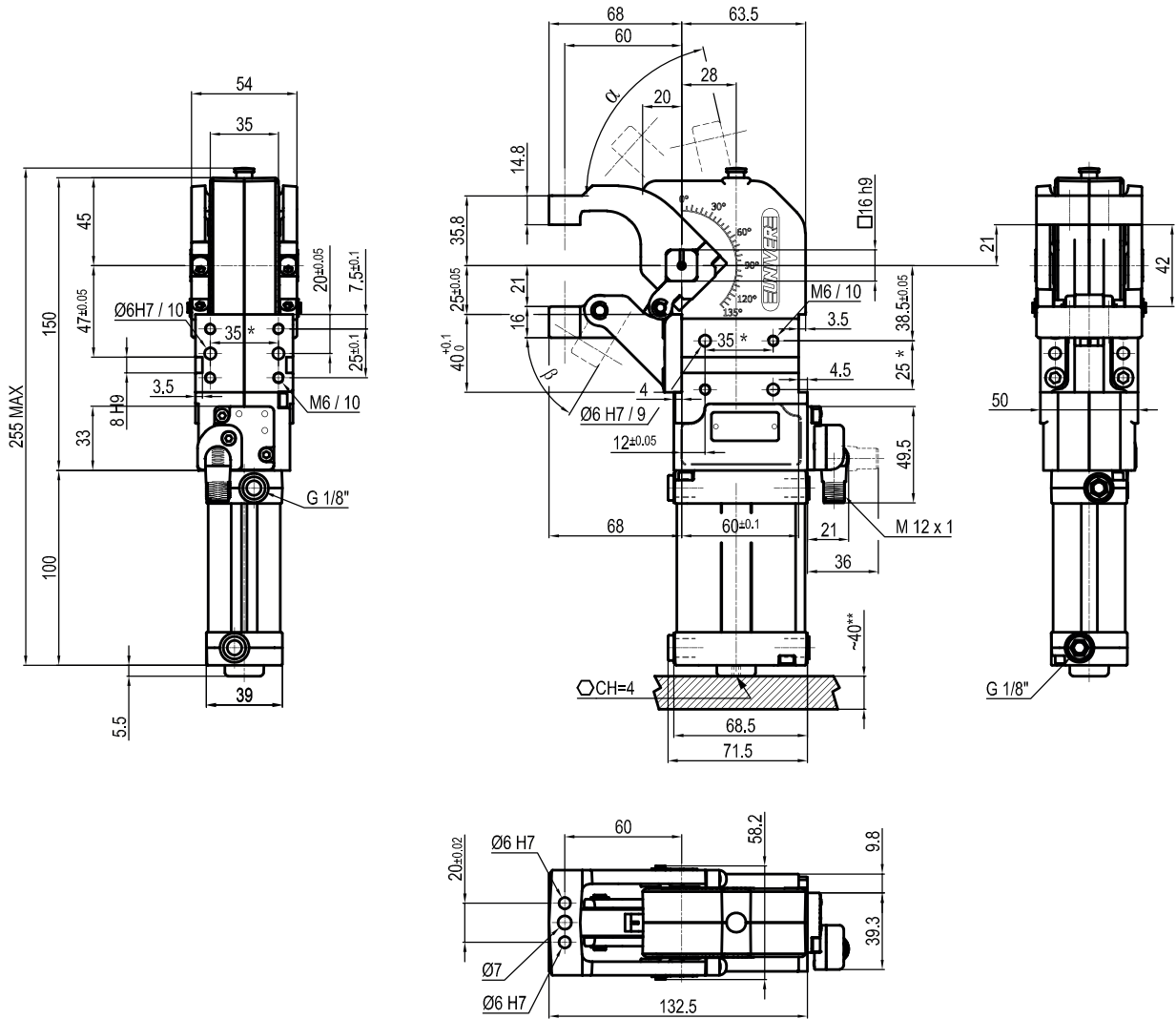


OPTICAL SENSOR

1	SERIES UG = UNICLAMP Gripper units	6	JAW MATERIAL S = Steel jaws
2	VERSION P = Pneumatic	7	SENSOR N = No sensor (with protection plate) K = Electronic sensor PNP, M12 (DF-K) J = Electronic sensor NPN, optical (DF-J) Y = Electronic sensor PNP, M12 (DF-Y) white LED
3	SIZE 40 = Ø40 mm	8	PRODUCT REVISION Assigned by UNIVER
4	JAW POSITION V = 90°  O = 180° 	9	ATEX X = ATEX option See ATEX Catalogue for types and versions
5	MOVEMENT H = Double movement; no tips* F = Double movement; 1 pair of flat tips* B = Double movement; 2 pairs of flat tips* L = Single movement; 2 pairs of flat tips* 1 = Single movement; 1 pair of knurled tips 2 = Single movement; 2 pairs of knurled tips		

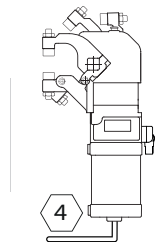
*available only for "V" jaw position

V/H | **Jaw position and Movement**
90° - Double movement; No tips



4

α Max. 77° β Max. 59°



* TOLERANCE BETWEEN DOWELS ± 0,02, BETWEEN SCREW HOLES ± 0,1
** AREA TO ACCESS ANGLE ADJUSTMENT

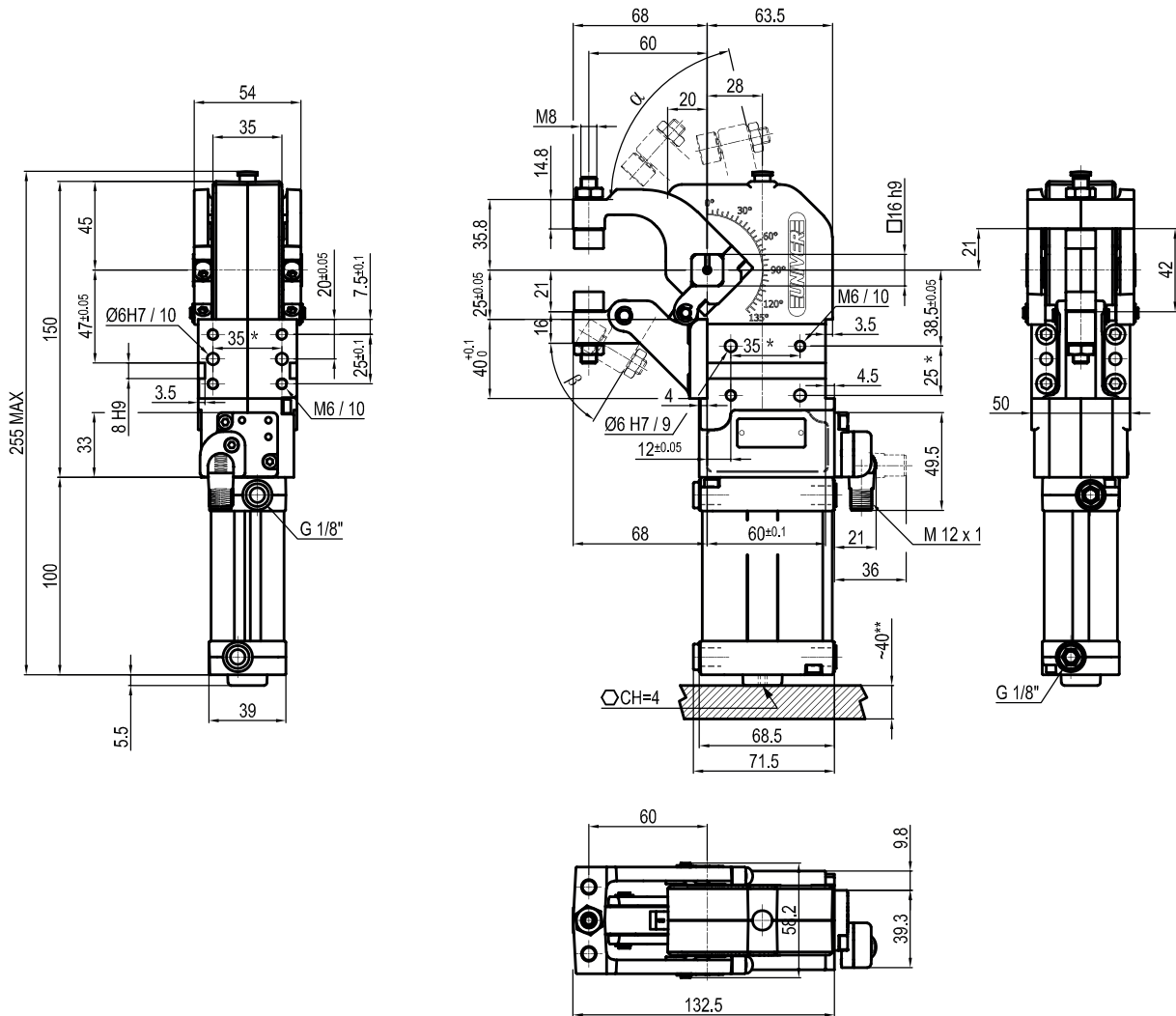
Sensors



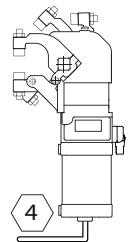
Electronic (optical)

- DF-K PNP M12
- DF-J NPN M12
- DF-Y PNP M12 White LED

V/F | Jaw position and Movement
90° - Double movement; One tip



α Max. 77° β Max. 59°



* TOLERANCE BETWEEN DOWELS $\pm 0,02$, BETWEEN SCREW HOLES $\pm 0,1$
** AREA TO ACCESS ANGLE ADJUSTMENT

Sensors

Tips



Electronic (optical)

- DF-K PNP M12
- DF-J NPN M12
- DF-Y PNP M12 White LED



2x

Flat
Self adjusting

LKPR1842-11

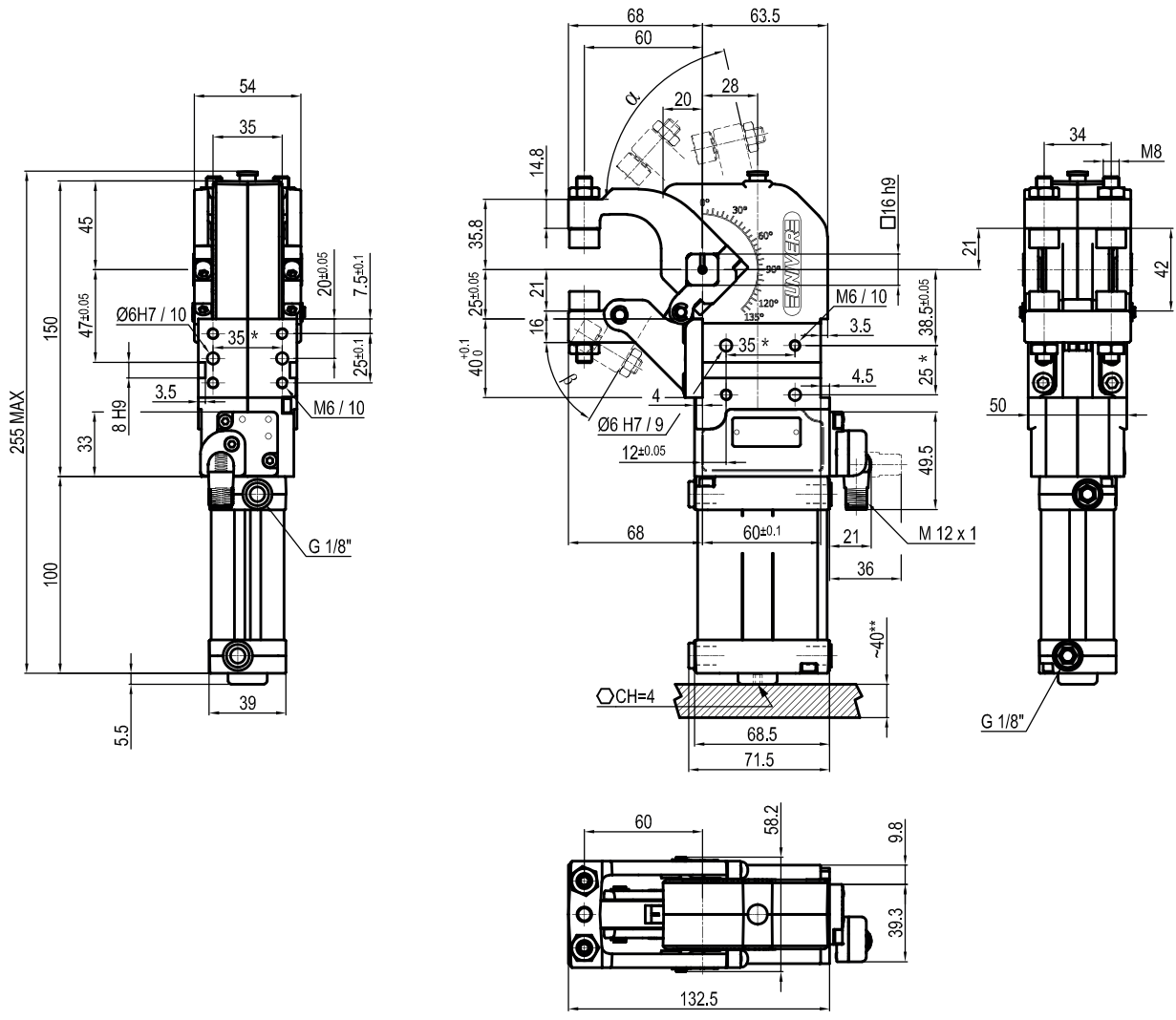


2x

Knurled

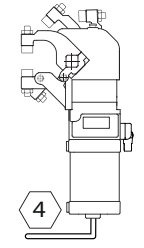
LGPK6940A-L

V/B | Jaw position and Movement
90° - Double movement; Two tips



4

* TOLERANCE BETWEEN DOWELS ± 0,02, BETWEEN SCREW HOLES ± 0,1
** AREA TO ACCESS ANGLE ADJUSTMENT



Sensors

Tips



Electronic (optical)

Flat
Self adjusting

Knurled

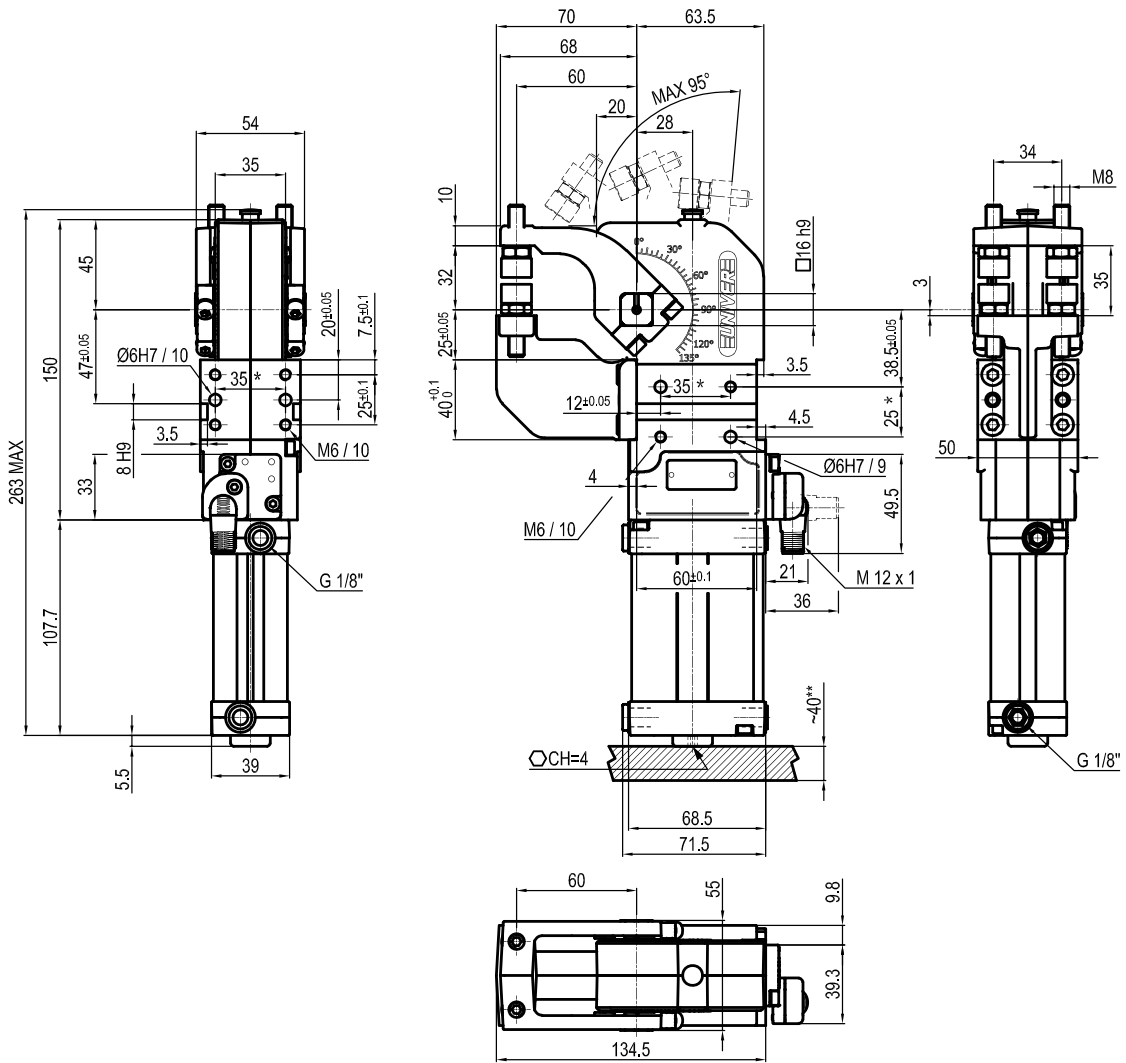
- DF-K PNP M12
- DF-J NPN M12
- DF-Y PNP M12 White LED

LKPR1842-11

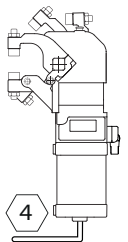
LGPK6940A-L

V/L | **Jaw position and Movement**
90° - Single movement; Two tips

4



* TOLERANCE BETWEEN DOWELS ± 0,02, BETWEEN SCREW HOLES ± 0,1
** AREA TO ACCESS ANGLE ADJUSTMENT



Sensors

Tips



Electronic (optical)

Flat
Self adjusting

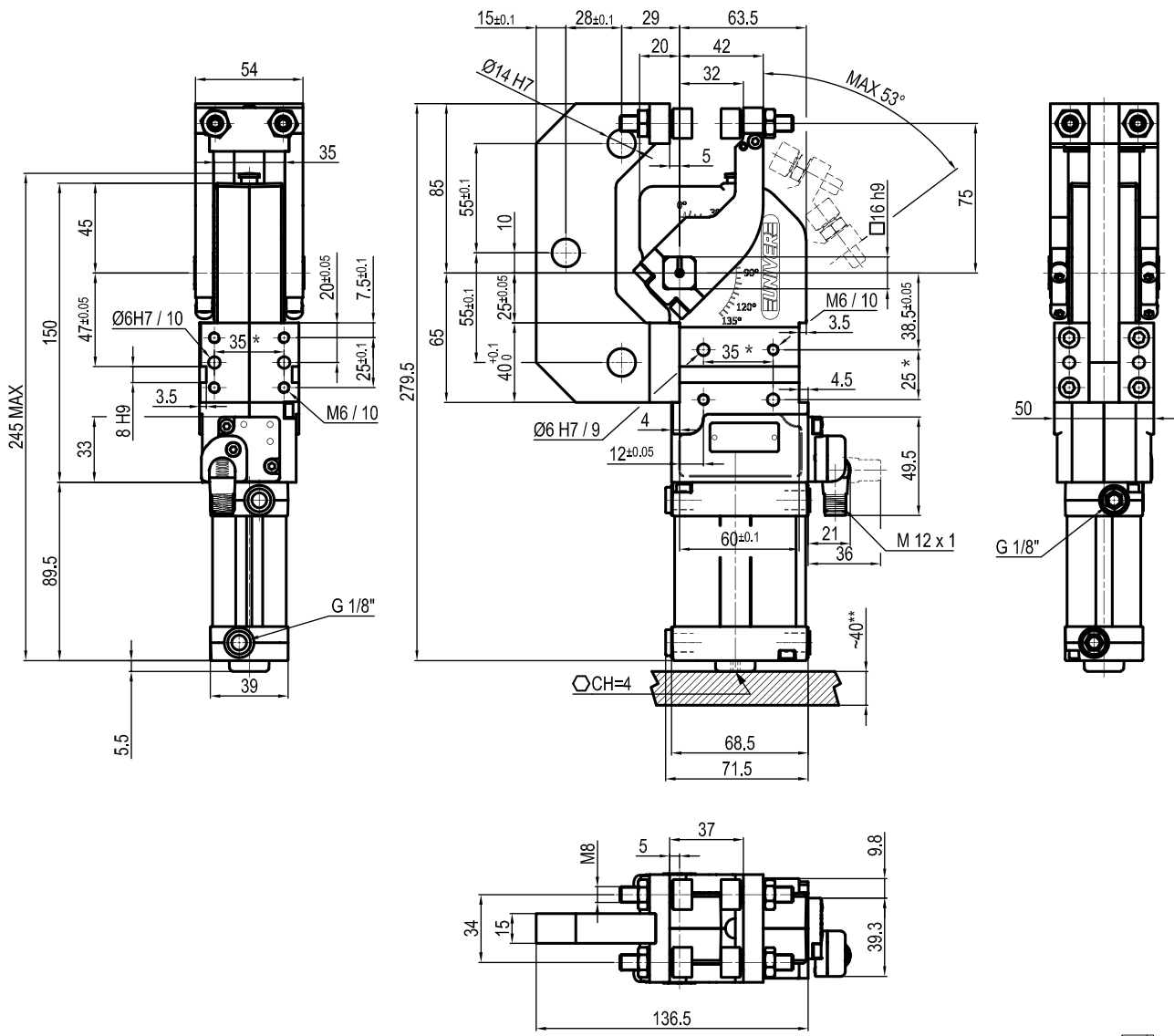
Knurled

- DF-K PNP M12
- DF-J NPN M12
- DF-Y PNP M12 White LED

LKPR1842-11

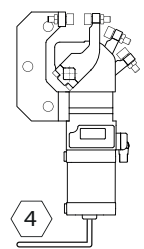
LGPK6940A-L

O/L | **Jaw position and Movement**
 180° - Single movement; Two tips



4

* TOLERANCE BETWEEN DOWELS $\pm 0,02$, BETWEEN SCREW HOLES $\pm 0,1$
 ** AREA TO ACCESS ANGLE ADJUSTMENT



Sensors

Tips



Electronic (optical)

- DF-K PNP M12
- DF-J NPN M12
- DF-Y PNP M12 White LED



2x

Flat
 Self adjusting

LKPR1842-11



2x

Knurled

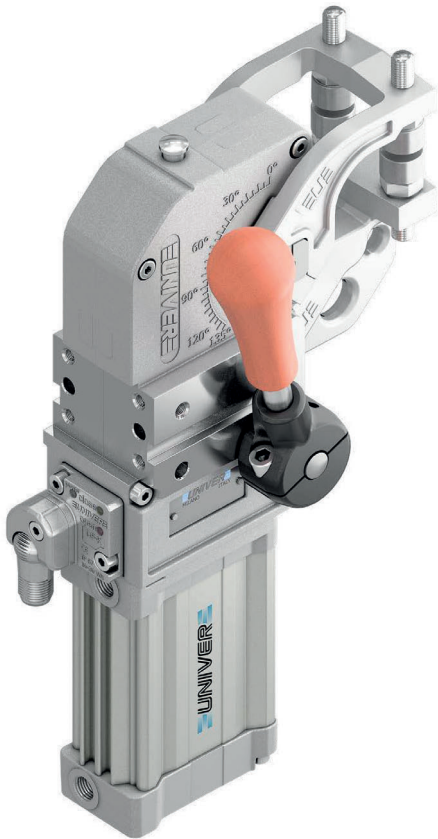
LGPK6940A-L

UGM 40

Pneumatic gripper unit Ø40 mm with hand lever

Pneumatic gripper unit Ø40 mm with hand lever typically used on End of Arm Tooling Systems for handling work pieces.

- Stepless adjustable opening angle
- Toggle-joint mechanism
- Integrated compensation
- Double or single movement
- Tips customisation
- Hand lever mounts on both sides
- Fixing pattern on 3 sides



CHARACTERISTICS

Operating temperature	5° ÷ 45° C
Min./Max. Operating pressure	0,4 / 0,6 MPa
Opening angle*	0° ÷ 95°
Bore Ø	40 mm
Holding moment	600 Nm
Clamping moment (0,5 Mpa)	2800 N
Weight (Tips not included)	2,4 Kg
Tip weight (each)	0,3 Kg
Pneumatic supply ports	G1/8 on both sides
Sensor	electronic (optical)
Supply voltage	10 ÷ 30 Vdc
IP code	IP 65

*The opening angle range may vary according to the arm position and style.

CODIFICATION KEY

UG | M | 40 | V | B | S | K | 0 | |

1 2 3 4 5 6 7 8 9



COMPENSATION



IRREVERSIBLE



ANGLE ADJUSTMENT



OPTICAL SENSOR

1

SERIES
UG = UNICLAMP Gripper units

2

VERSION
M = Pneumatic with hand lever

3

SIZE
40 = Ø 40 mm

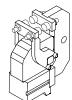
4

JAW POSITION

V = 90°



O = 180°



5

MOVEMENT

H = Double movement; no tips*
 F = Double movement; 1 pair of flat tips*
 B = Double movement; 2 pairs of flat tips*
 L = Single movement; 2 pairs of flat tips*
 1 = Single movement; 1 pair of knurled tips
 2 = Single movement; 2 pairs of knurled tips

*available only for "V" jaw position

6

JAW MATERIAL
S = Steel jaws

7

SENSOR
 N = No sensor (with protection plate)
 K = Electronic sensor PNP, M12 (DF-K)
 J = Electronic sensor NPN, optical (DF-J)
 Y = Electronic sensor PNP, M12 (DF-Y) white LED

8

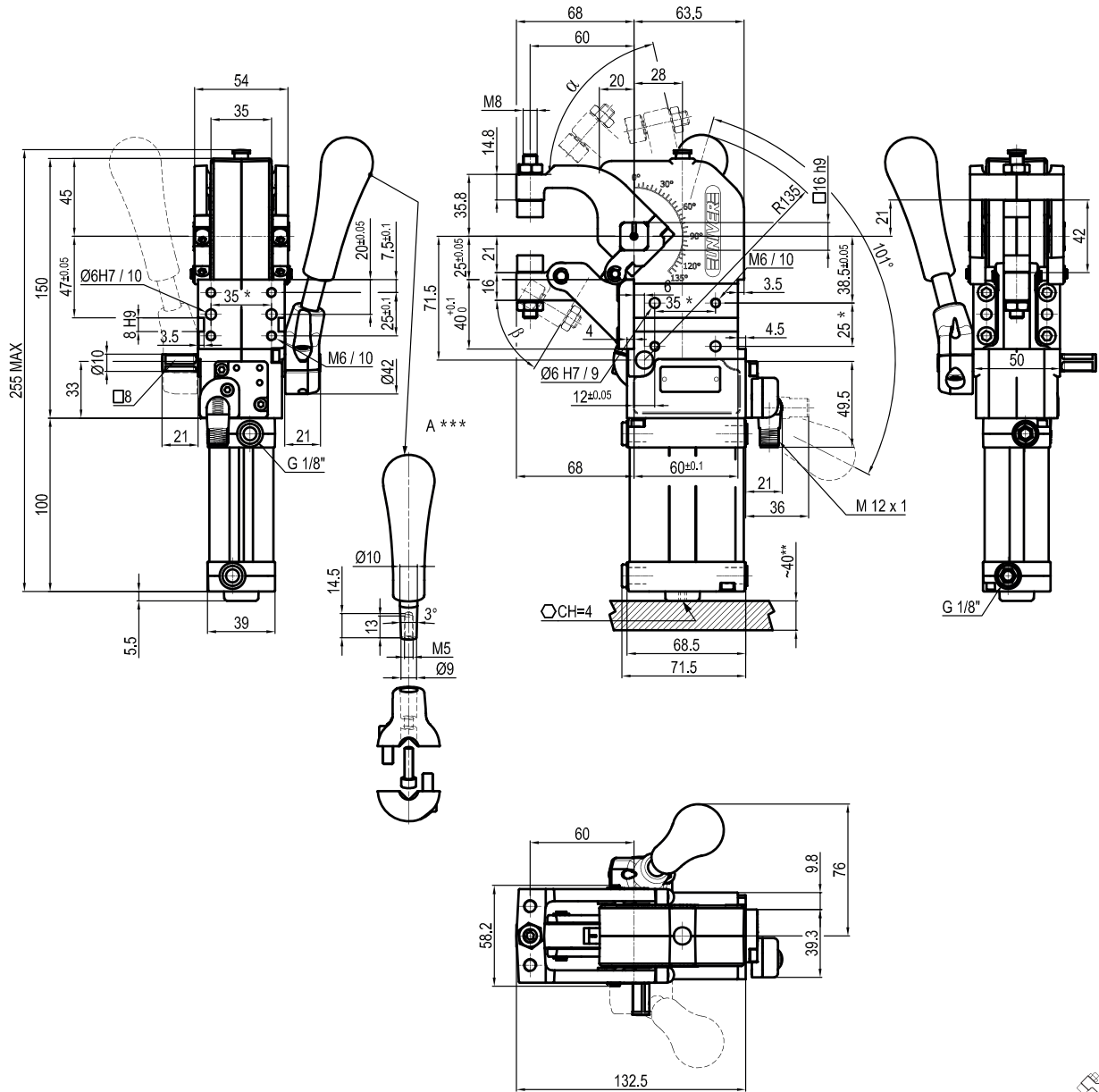
PRODUCT REVISION
Assigned by UNIVER

9

ATEX
X = ATEX option
See ATEX Catalogue for types and versions

V/F | **Jaw position and Movement**
90° - Double movement; One tip

4



α Max. 77° β Max. 59°

* TOLERANCE BETWEEN DOWELS $\pm 0,02$, BETWEEN SCREW HOLES $\pm 0,1$
 ** AREA TO ACCESS ANGLE ADJUSTMENT
 *** DIMENSIONS TO BE RESPECTED IN CASE OTHER MANUAL LEVERS ARE USED

Sensors

Tips

Accessories



Electronic (optical)

Flat
Self adjusting

Knurled

Handlever

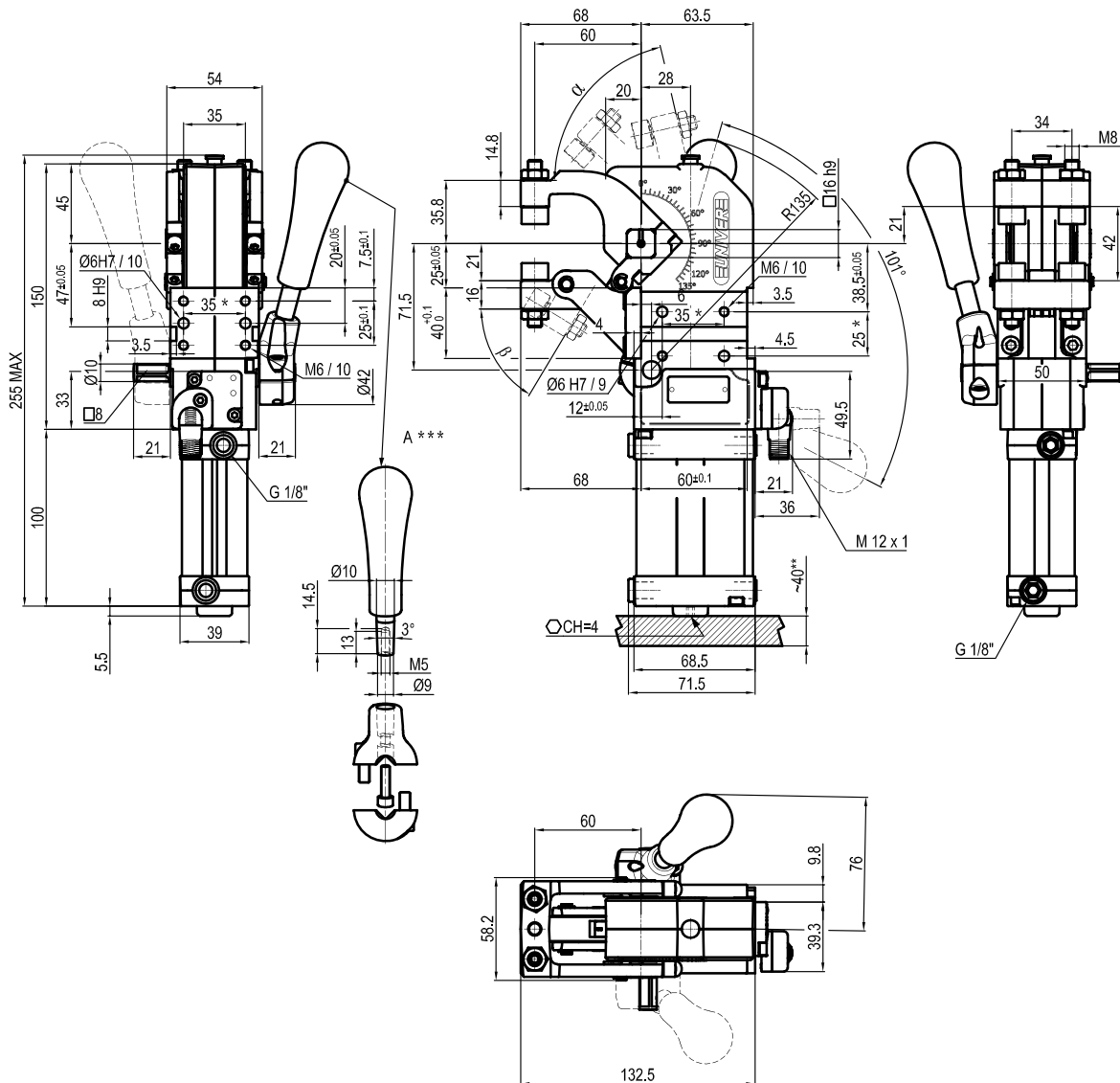
- DF-K PNP M12
- DF-J NPN M12
- DF-Y PNP M12 White LED

LKPR1842-11

LGPK6940A-L

UBF2540

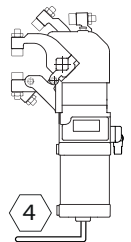
V/B | **Jaw position and Movement**
90° - Double movement; Two tips



4

α Max. 77° β Max. 59°

* TOLERANCE BETWEEN DOWELS $\pm 0,02$, BETWEEN SCREW HOLES $\pm 0,1$
 ** AREA TO ACCESS ANGLE ADJUSTMENT
 *** DIMENSIONS TO BE RESPECTED IN CASE OTHER MANUAL LEVERS ARE USED



Sensors

Tips

Accessories



Electronic (optical)

Flat
Self adjusting

Knurled

Handlever

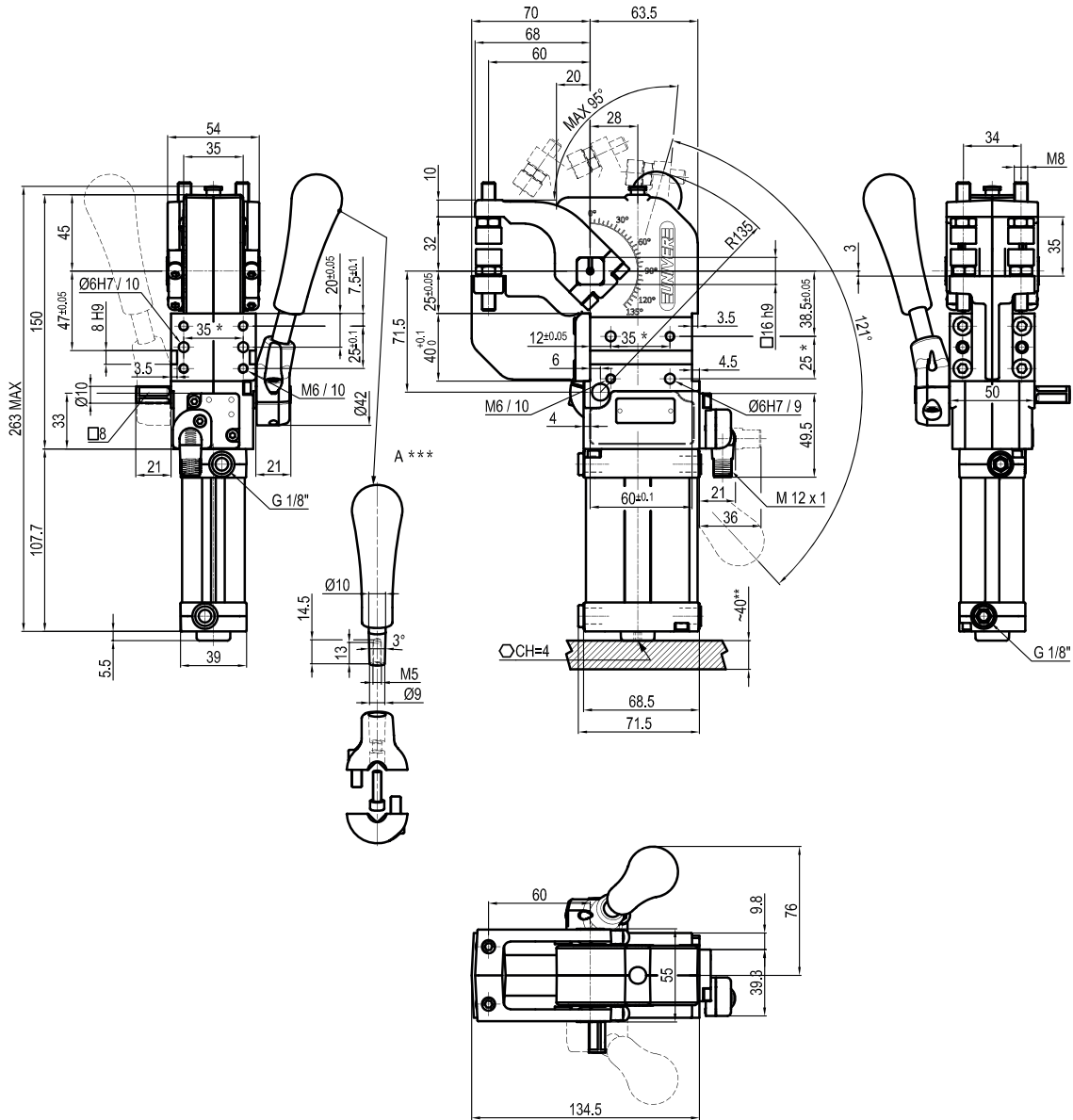
DF-K PNP M12
DF-J NPN M12
DF-Y PNP M12 White LED

LKPR1842-11

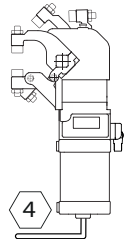
LGPK6940A-L

UBF2540

V/L | **Jaw position and Movement**
90° - Single movement; Two tips



* TOLERANCE BETWEEN DOWELS ± 0,02, BETWEEN SCREW HOLES ± 0,1
** AREA TO ACCESS ANGLE ADJUSTMENT
*** DIMENSIONS TO BE RESPECTED IN CASE OTHER MANUAL LEVERS ARE USED



Sensors

Tips

Accessories



Electronic (optical)

Flat
Self adjusting

Knurled

Handlever

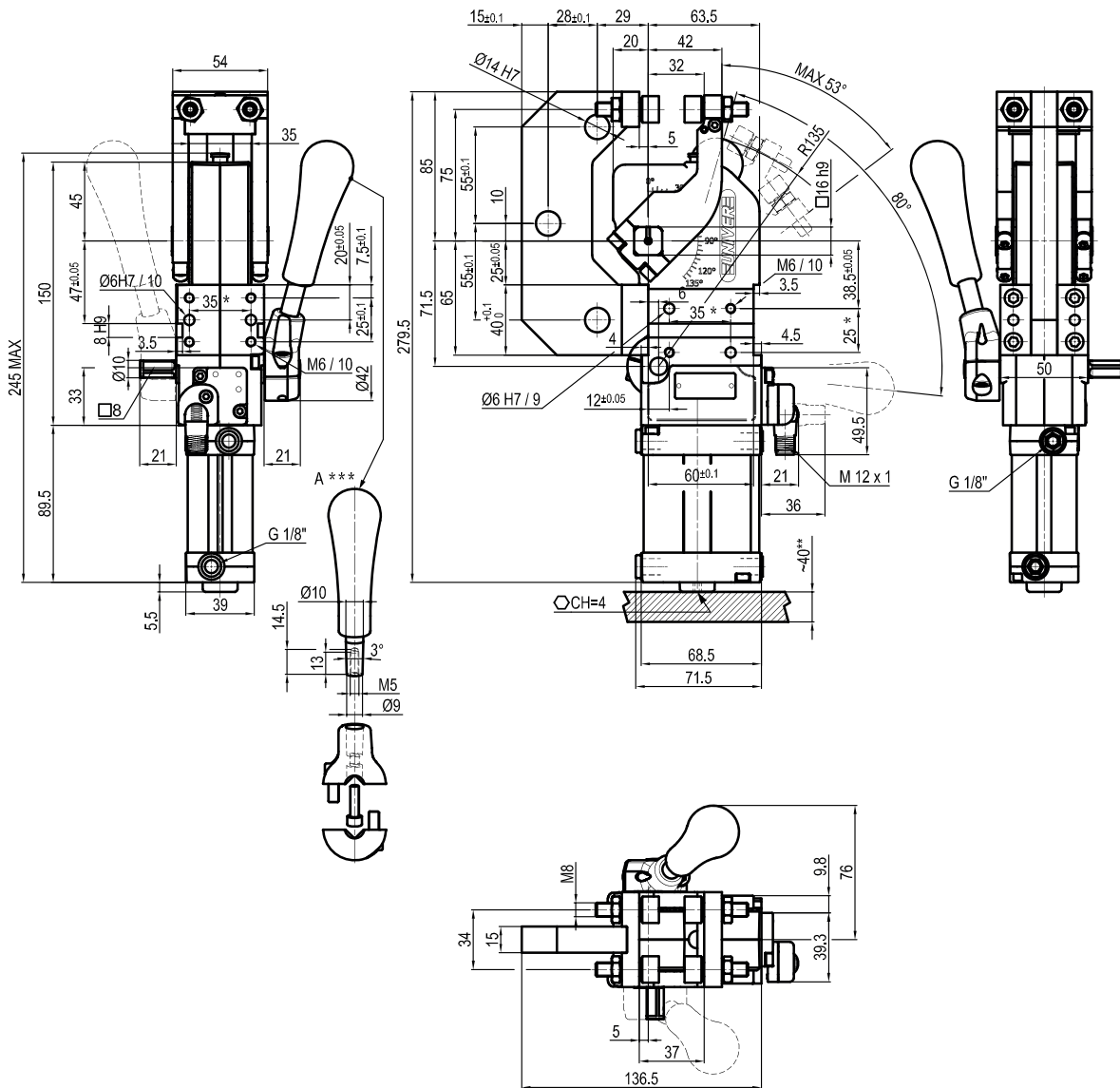
- DF-K PNP M12
- DF-J NPN M12
- DF-Y PNP M12 White LED

LKPR1842-11

LGPK6940A-L

UBF2540

O/L | **Jaw position and Movement**
180° - Single movement; Two tips



* TOLERANCE BETWEEN DOWELS ± 0,02, BETWEEN SCREW HOLES ± 0,1
 ** AREA TO ACCESS ANGLE ADJUSTMENT
 *** DIMENSIONS TO BE RESPECTED IN CASE OTHER MANUAL LEVERS ARE USED

Sensors

Tips

Accessories



Electronic (optical)

Flat
Self adjusting

Knurled

Handlever

- DF-K PNP M12
- DF-J NPN M12
- DF-Y PNP M12 White LED

LKPR1842-11

LGPK6940A-L

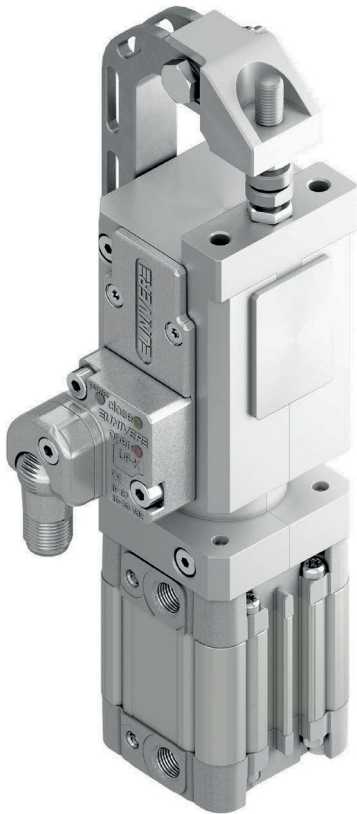
UBF2540

UGPS 32

Pneumatic gripper unit Ø32 mm

Pneumatic gripper unit Ø32 mm with single or double arms, typically used on End of Arm Tooling systems for handling work pieces.

- Compensation 1 mm (single) and 1,5 mm (double)
- Stepless adjustable opening angle
- Toggle-joint mechanism
- Two sided sensor mounting position
- Integrated pneumatic cushioning system
- 360° orbital orientation thanks to many different mounting elements
- Tips customisation



4

CHARACTERISTICS

Operating temperature	5° ÷ 45° C
Min./Max. Operating pressure	0,4 / 0,6 MPa
Opening angle	10° ÷ 50° (single) 10° ÷ 160° (double)
Bore Ø	32 mm
Holding moment	150 Nm
Clamping moment (0,5 MPa)	600 N (single) 350 N (double)
Weight (without tips)	1 Kg
Pneumatic supply ports	G1/8
Sensor	electronic (optical)
Supply voltage	10 ÷ 30 Vdc
IP code	IP 65

CODIFICATION KEY

UGP | S | 32 | D1 | A | K | R | 3 | 0 | |

1 2 3 4 5 6 7 8 9 10



COMPENSATION



LIGHTWEIGHT



IRREVERSIBLE



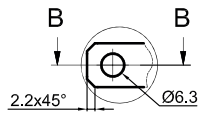
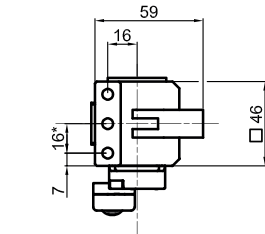
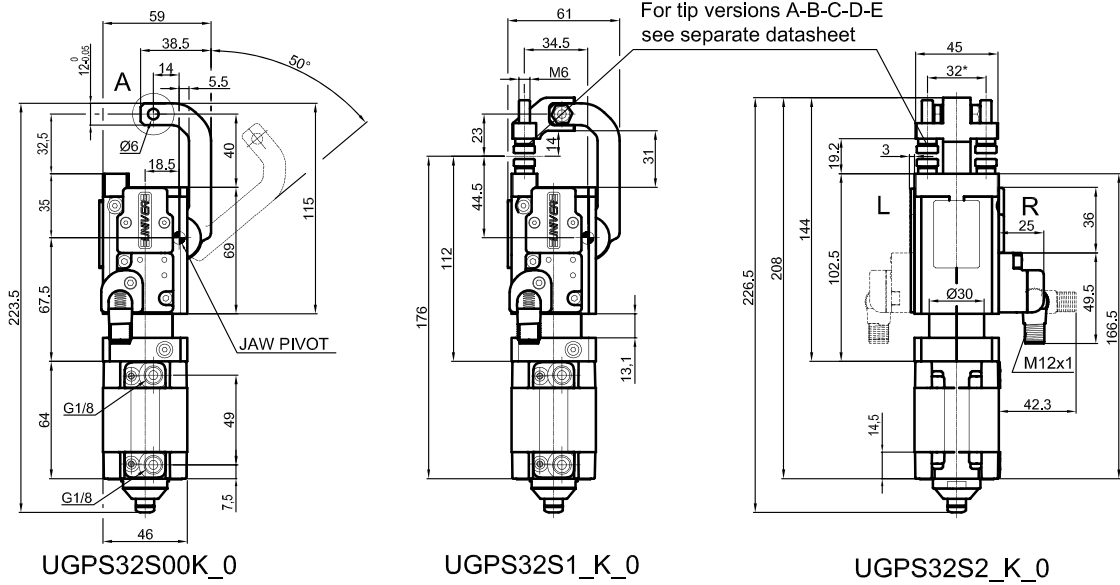
ANGLE ADJUSTMENT



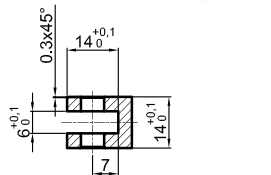
OPTICAL SENSOR

1	SERIES UGP = UNICLAMP Gripper units	6	SENSOR N = No sensor (with protection plate) K = Electronic sensor PNP, M12 (DF-K) J = Electronic sensor NPN, optical (DF-J) Y = Electronic sensor PNP, M12 (DF-Y) white LED
2	ARM MATERIAL S = Steel	7	SENSOR MOUNTING N = No sensor R = Right (ports side) L = Left
3	SIZE 32 = Ø 32 mm	8	MOUNTS 0 = No mount 1 = Middle flange mount (LGP32MP) 2 = 360° orbital mount, ball Ø25 (LGP32MO25) 3 = 360° orbital mount, ball Ø30 (LGP32MO30) 6 = Rear flange mount (LGP32PT070)
4	ARM S0 = Single arm, without jaws S1 = Single arm, jaws set for 1 pair of tips S2 = Single arm, jaws set for 2 pairs of tips D0 = Double arms, without jaws D1 = Double arms, jaws set for 1 pair of tips D2 = Double arms, jaws set for 2 pair of tips	9	PRODUCT REVISION Assigned by UNIVER
5	TIPS 0 = No tips A = Knurled tips B = Self-adjusting knurled tips C = Flat tips D = Concave/Convex tips (1+1) E = Self adjusting flat tips	10	ATEX X = ATEX option See ATEX Catalogue for types and versions

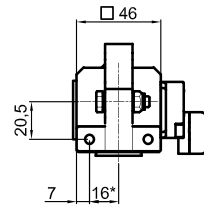
S | Single arm



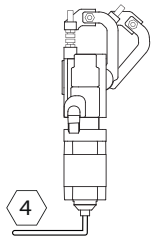
A (2 : 1)



B-B (2 : 1)



* TOLERANCE BETWEEN DOWELS ± 0,02, BETWEEN SCREW HOLES ± 0,1



Sensors

Tips



Electronic (optical)

- DF-K PNP M12
- DF-J NPN M12
- DF-Y PNP M12 White LED



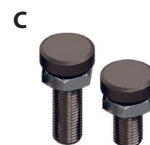
Knurled

- LGPK6932A-L
- LGPK6932A-C



Knurled
Self adjusting

- LGPK6932B-L
- LGPK6932B-C



Flat

- LGPK6932C-L
- LGPK6932C-C



Concave/Convex

- LGPK6932D-C

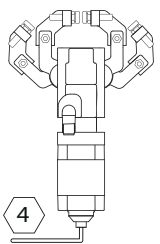
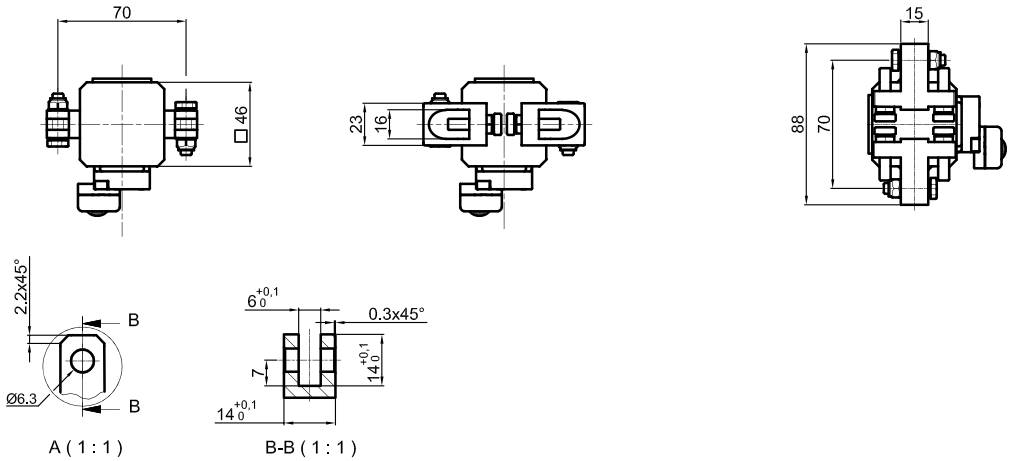
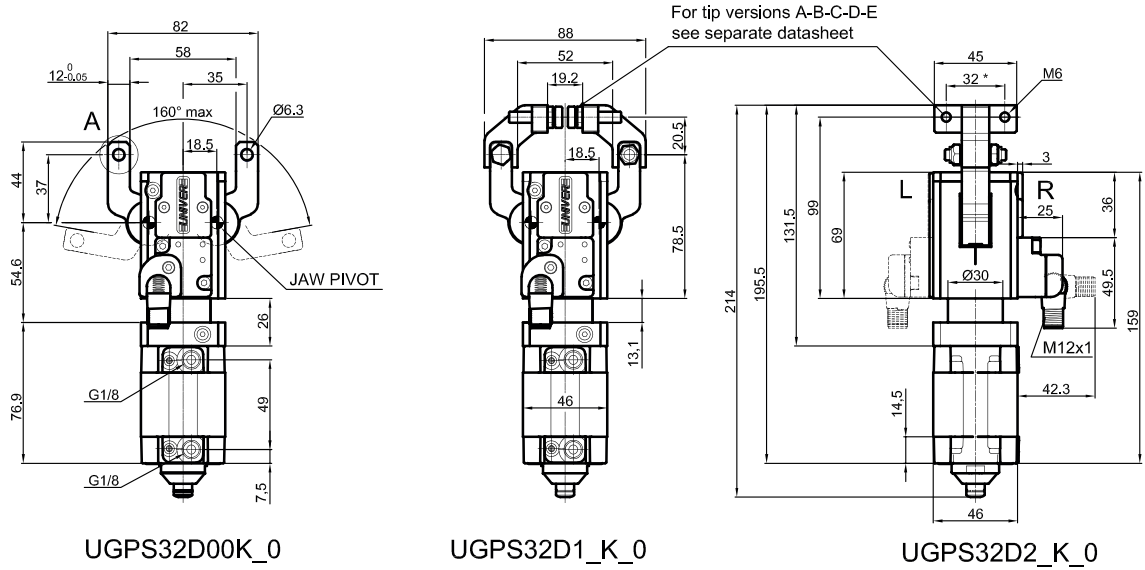


Flat
Self adjusting

- LGPK6932E-L
- LGPK6932E-C

D Double arm

4



* TOLERANCE BETWEEN DOWELS ± 0,02, BETWEEN SCREW HOLES ± 0,1

Sensors



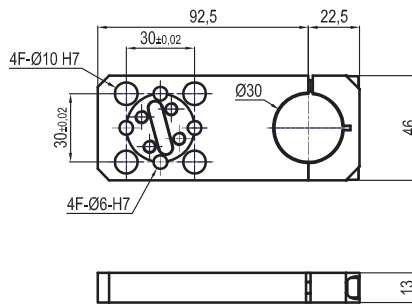
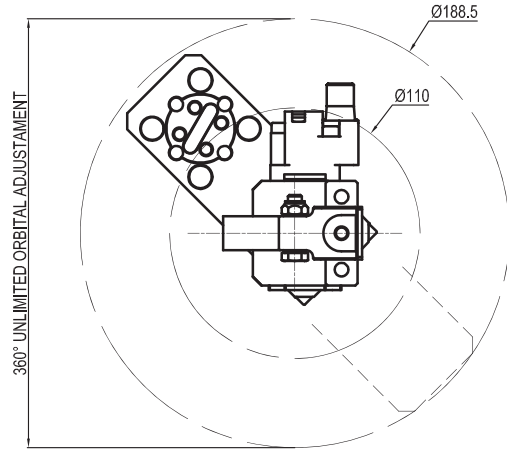
Electronic (optical)

- DF-K PNP M12
- DF-J NPN M12
- DF-Y PNP M12 White LED

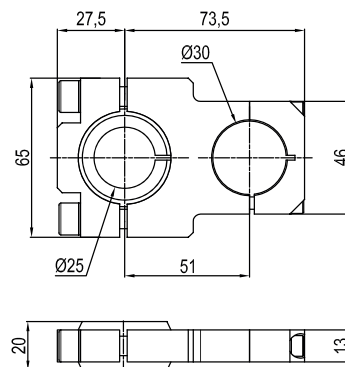
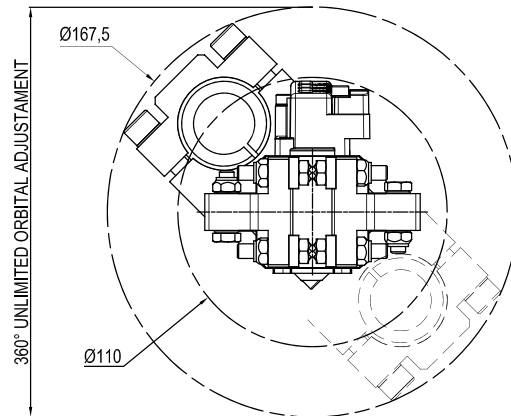
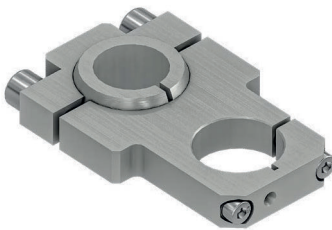
Tips

- | | | | | |
|---|---|---|---|---|
| A | B | C | D | E |
| 
2x | 
2x | 
2x | 
2x | 
2x |
| Knurled | Knurled
Self adjusting | Flat | Concave/Convex | Flat
Self adjusting |
| LGPK6932A-L | LGPK6932B-L | LGPK6932C-L | LGPK6932D-L | LGPK6932E-L |

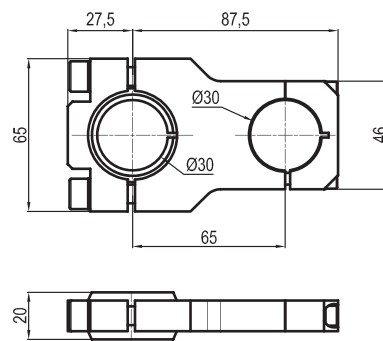
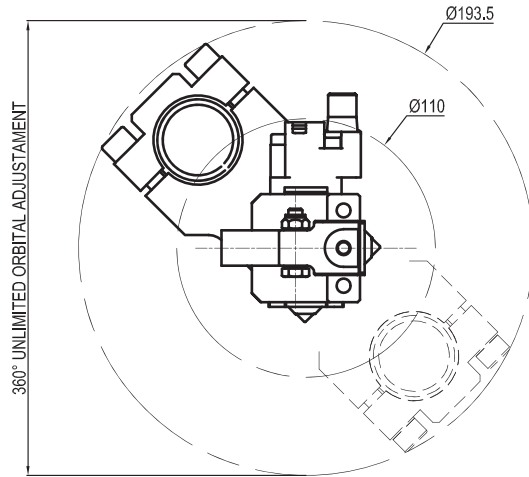
1 Middle flange mount
LGP32MP



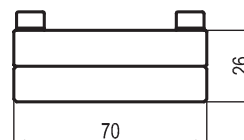
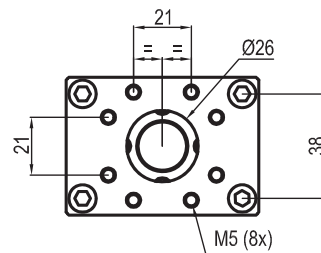
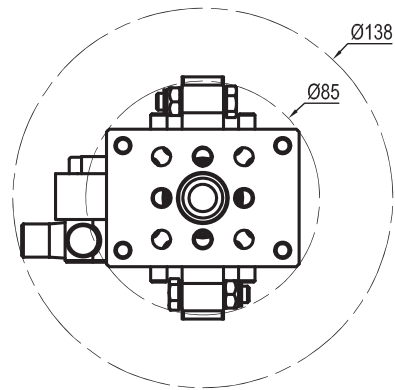
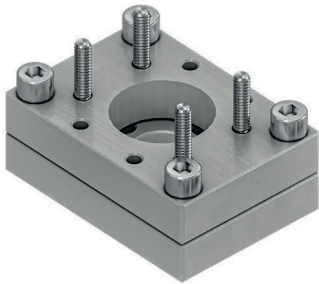
2 360° Orbital mount
Ball Ø25 - LGP32MO25



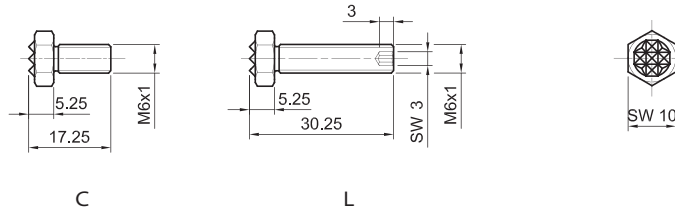
3 360° Orbital mount
Ball Ø30 - **LGP32MO30**



6 Rear flange mount
LGP32PT070

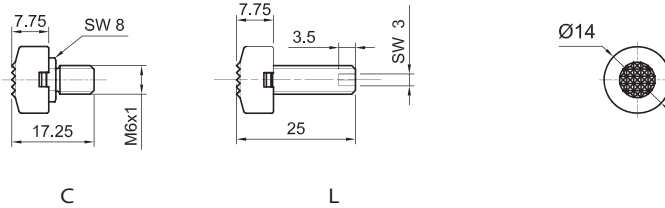


A Knurled



Tips	Weight
LGPK6932A-L	10g
LGPK6932A-C	7g

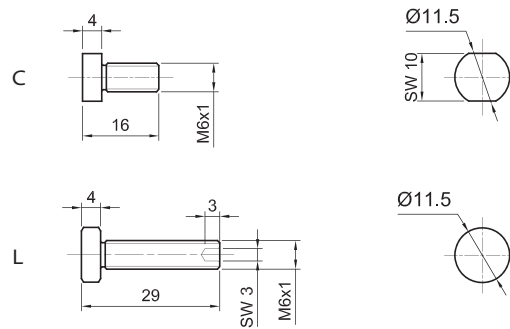
B Knurled
Self adjusting



Tips	Weight
LGPK6932B-L	9,5g
LGPK6932B-C	12g

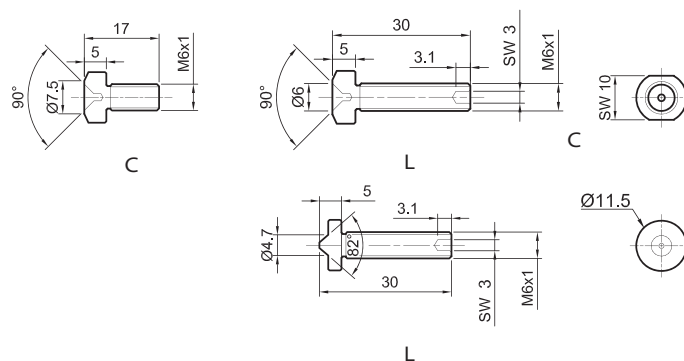
4

C Flat



Tips	Weight
LGPK6932A-L	10g
LGPK6932A-C	7g

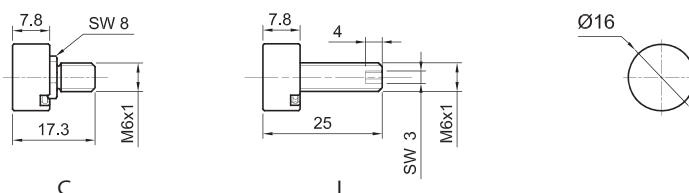
D Concave/Convex



Concave	
Tips	Weight
LGPK6932D-L	10g
LGPK6932D-C	8g

Convex	
Tips	Weight
LGPK6932D-L	11g

E Flat
Self adjusting



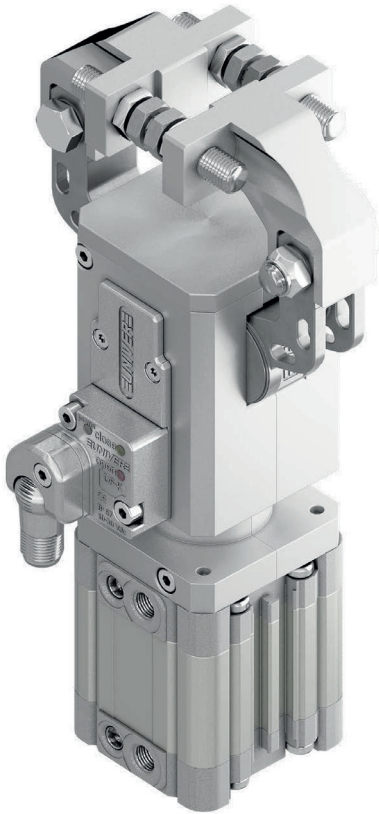
Tips	Weight
LGPK6932E-L	13g
LGPK6932E-C	10g

UGPS 40

Pneumatic gripper unit Ø40 mm

Pneumatic gripper unit Ø40 mm with single or double arms, typically used on End of Arm Tooling systems for handling work pieces.

- Compensation 1,5 mm (single) and 2,2 (double)
- Stepless adjustable opening angle
- Toggle-joint mechanism
- Two sided sensor mounting position
- Integrated pneumatic cushioning system
- 360° orbital orientation thanks to many different mounting elements
- Tips customisation



4

CHARACTERISTICS

Operating temperature	5° ÷ 45° C
Min./Max. Operating pressure	0,4 / 0,6 MPa
Opening angle	10° ÷ 50° (single) 10° ÷ 160° (double)
Bore Ø	40 mm
Holding moment	800 N
Clamping moment (0,5 MPa)	1600 N (single) 800 N (double)
Weight (without tips)	1,75 Kg
Pneumatic supply ports	G1/8
Sensor	electronic (optical)
Supply voltage	10 ÷ 30 Vdc
IP code	IP 65

CODIFICATION KEY

UGP | S | 40 | D1 | A | K | R | 3 | 0 | | |

1 2 3 4 5 6 7 8 9 10



COMPENSATION



LIGHTWEIGHT



IRREVERSIBLE



ANGLE ADJUSTMENT



OPTICAL SENSOR

1

SERIES
UGP = UNICLAMP Gripper units

2

ARM MATERIAL
S = Steel

3

SIZE
40 = Ø 40 mm

4

ARM
S0 = Single arm, without jaws
S1 = Single arm, jaws set for 1 pair of tips
S2 = Single arm, jaws set for 2 pairs of tips
D0 = Double arms, without jaws
D1 = Double arms, jaws set for 1 pair of tips
D2 = Double arms, jaws set for 2 pair of tips

5

TIPS
0 = No tips
A = Knurled tips
B = Self-adjusting knurled tips
C = Flat tips
D = Concave/Convex tips (1+1)
E = Self adjusting flat tips

6

SENSOR
N = No sensor (with protection plate)
K = Electronic sensor PNP, M12 (DF-K)
J = Electronic sensor NPN, optical (DF-J)
Y = Electronic sensor PNP, M12 (DF-Y) white LED

7

SENSOR MOUNTING
N = No sensor
R = Right (ports side)
L = Left

8

MOUNTS
0 = No mount
1 = Middle flange mount (LGP40MP)
2 = 360° orbital mount, ball Ø25 (LGP40MO25)
3 = 360° orbital mount, ball Ø30 (LGP40MO30)
4 = 360° orbital mount, ball Ø40 (LGP40MO40)
5 = 360° orbital mount, ball Ø45 (LGP40MO45)
6 = Rear flange mount (LGP40PT080)
7 = Rear flange mount (LGP40PT110)

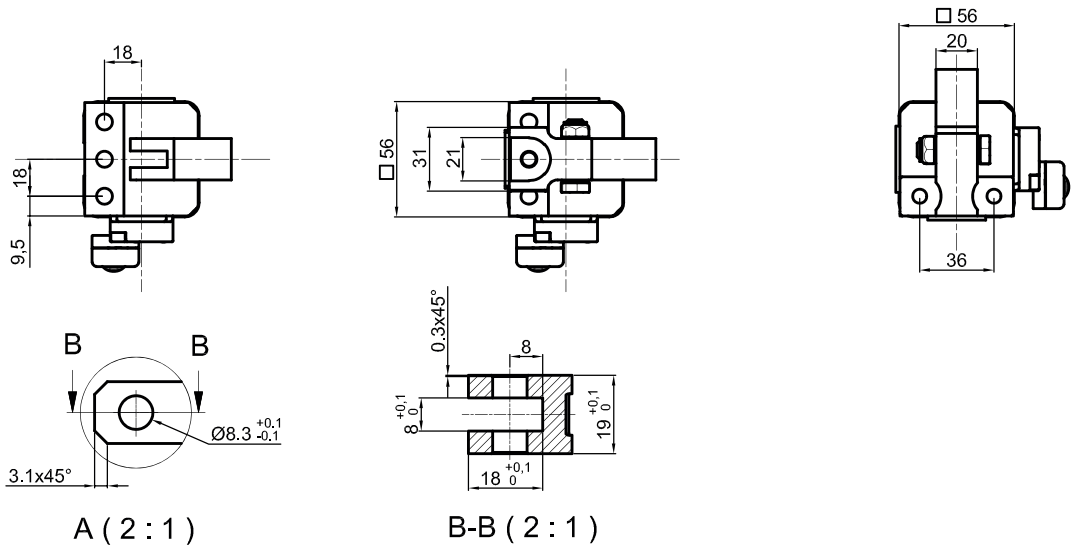
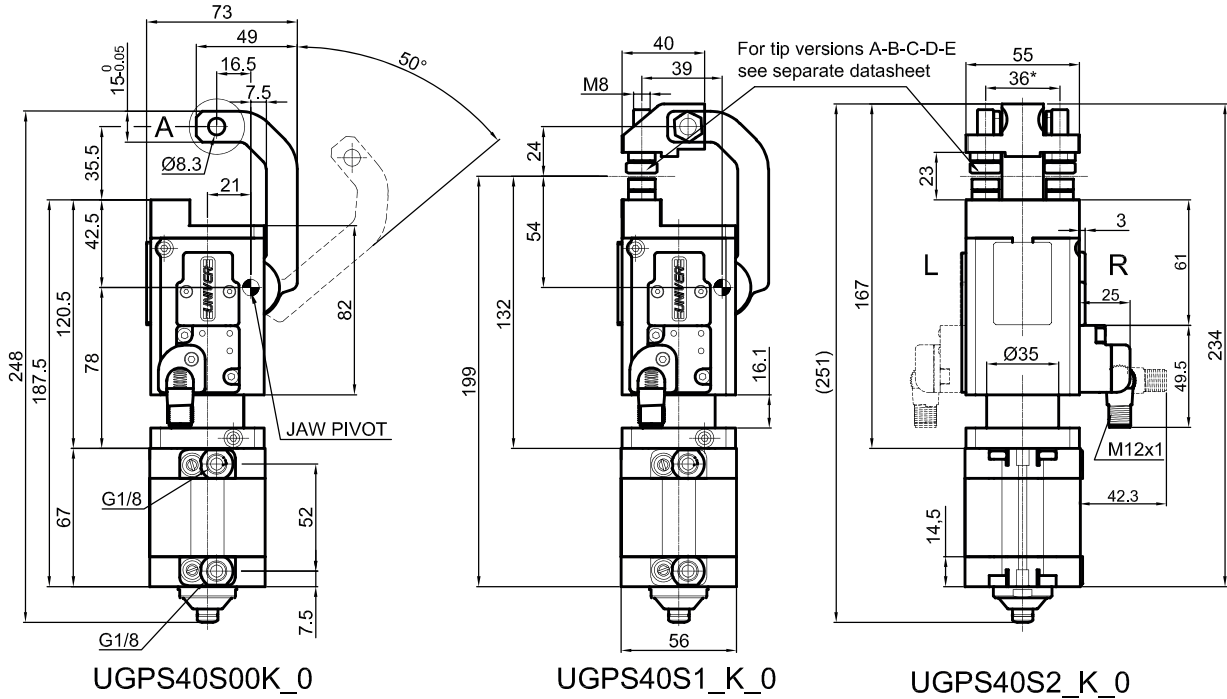
9

PRODUCT REVISION
Assigned by UNIVER

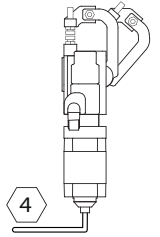
10

ATEX
X = ATEX option
See ATEX Catalogue for types and versions

S | Single arm



* TOLERANCE BETWEEN DOWELS ± 0,02, BETWEEN SCREW HOLES ± 0,1



Sensors

Tips



Electronic (optical)
 DF-K PNP M12
 DF-J NPN M12
 DF-Y PNP M12 White LED



Knurled
 LGPK6940A-L
 LGPK6940A-C



Knurled
 Self adjusting
 LGPK6940B-L
 LGPK6940B-C



Flat
 LGPK6940C-L
 LGPK6940C-C

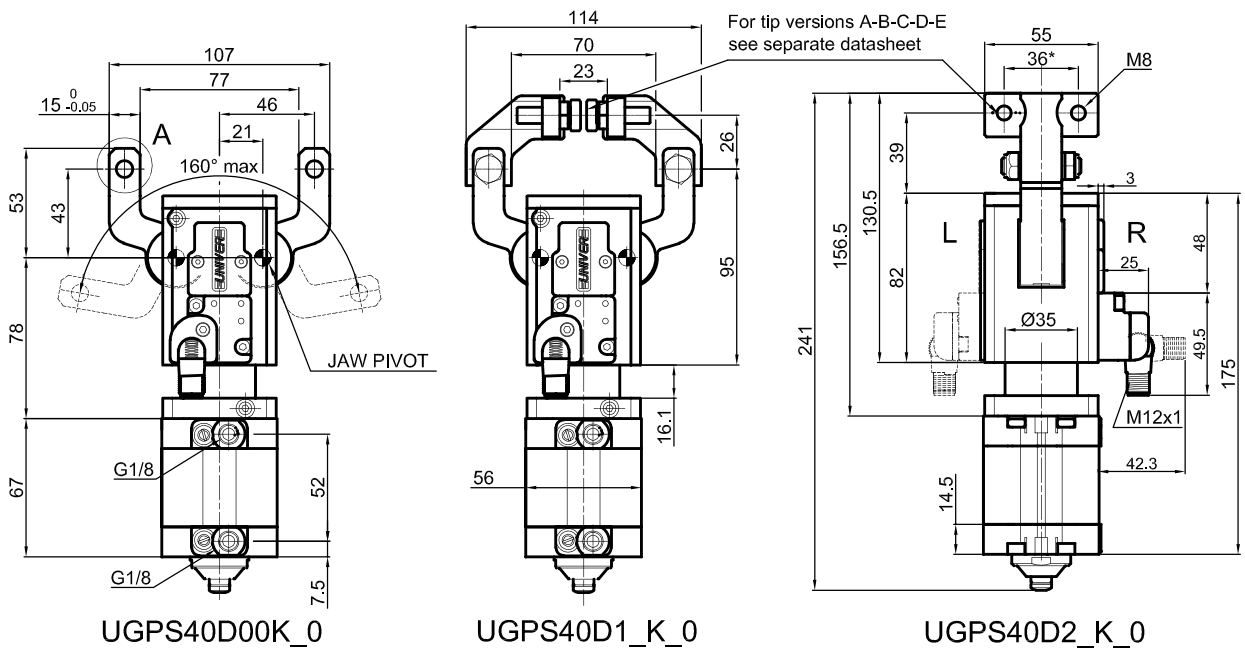


Concave/Convex
 LGPK6940D-C



Flat
 Self adjusting
 LGPK6940E-L
 LGPK6940E-C

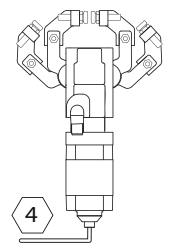
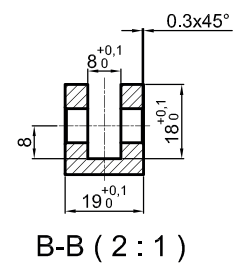
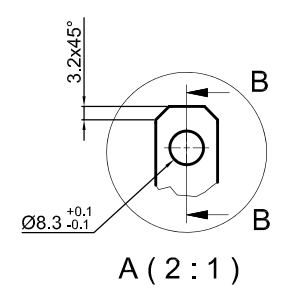
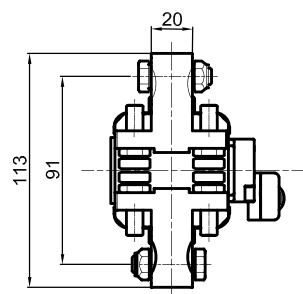
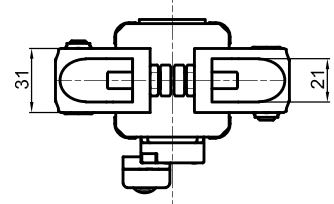
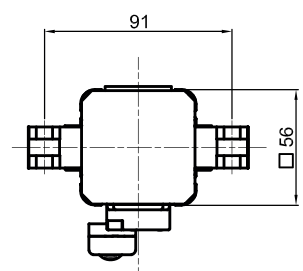
D Double arm



UGPS40D00K_0

UGPS40D1_K_0

UGPS40D2_K_0



* TOLERANCE BETWEEN DOWELS ± 0,02, BETWEEN SCREW HOLES ± 0,1

Sensors

Tips



Electronic (optical)
DF-K PNP M12
DF-J NPN M12
DF-Y PNP M12 White LED



Knurled

LGPK6940A-L



Knurled
Self adjusting

LGPK6940B-L



Flat

LGPK6940C-L



Concave/Convex

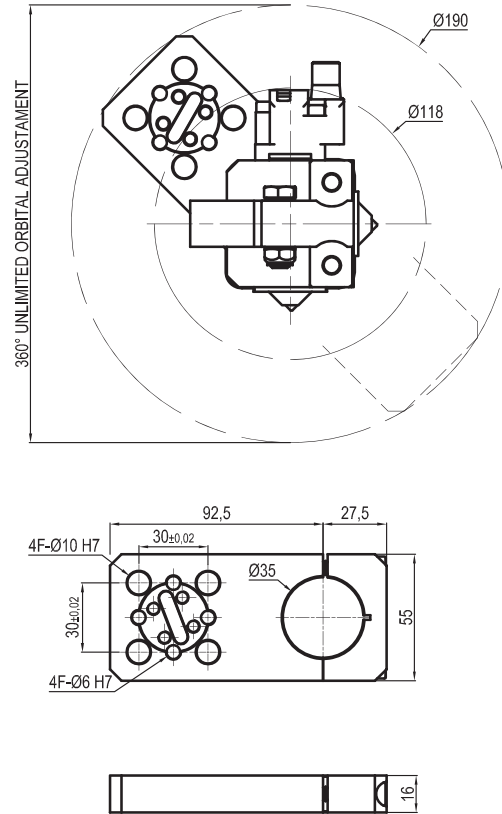
LGPK6940D-L



Flat
Self adjusting

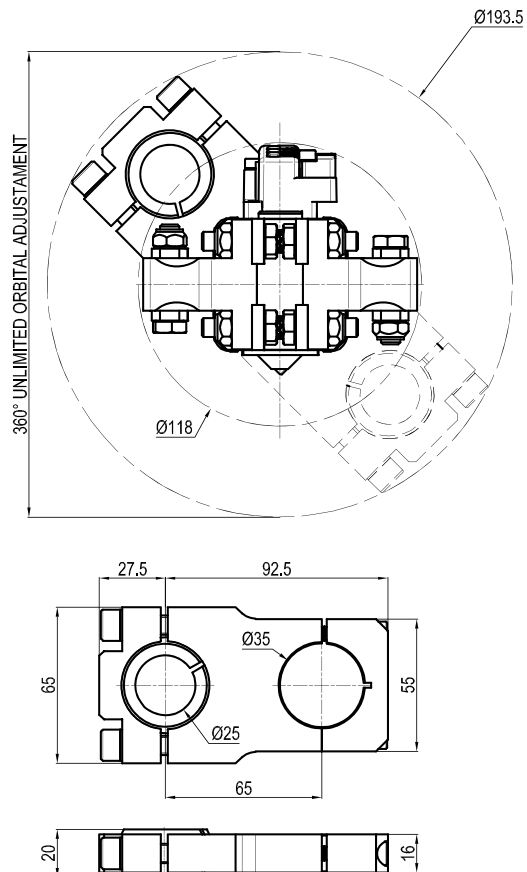
LGPK6940E-L

1 Middle flange mount
LGP40MP

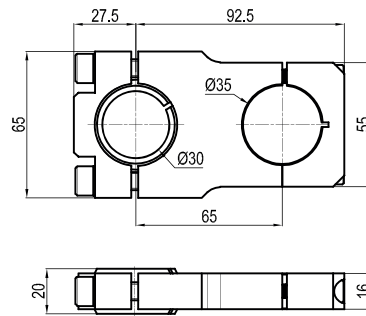
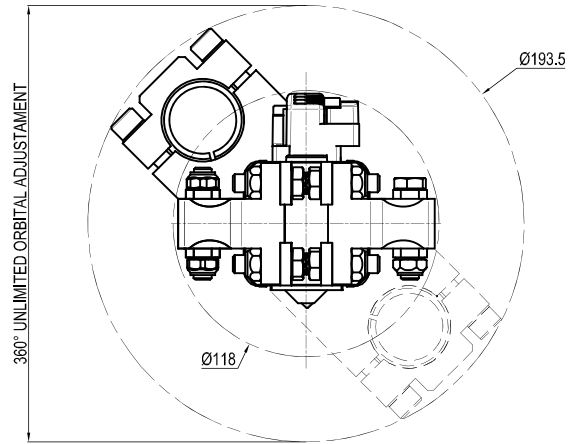


4

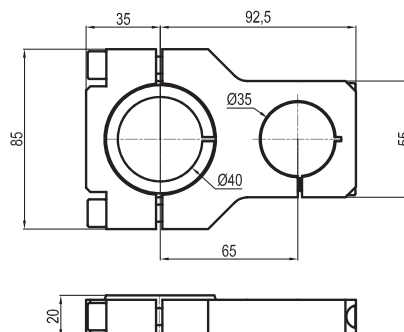
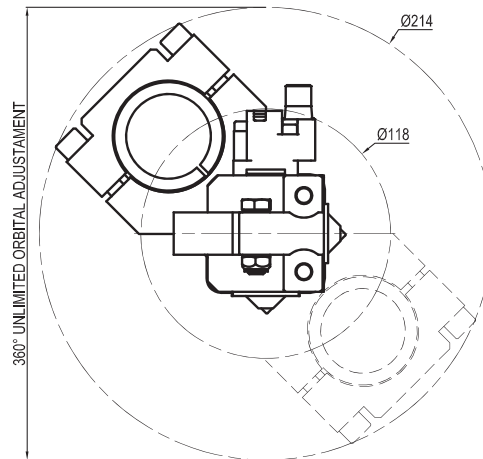
2 360° Orbital mount
Ball Ø25 - LGP40MO25



3 360° Orbital mount
Ball Ø30 - **LGP40MO30**

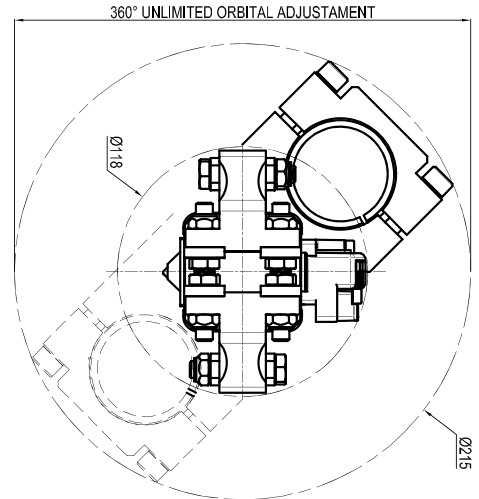
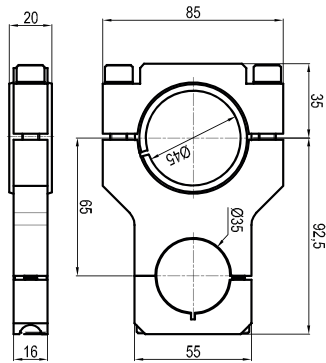


4 360° Orbital mount
Ball Ø40 - **LGP40MO40**



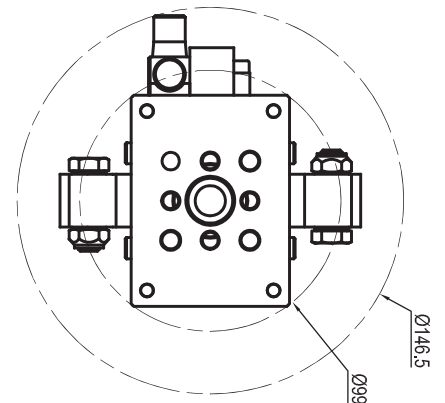
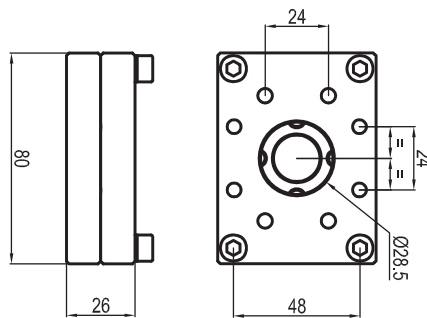
4

5 360° Orbital mount
Ball Ø45 - **LGP40MO45**

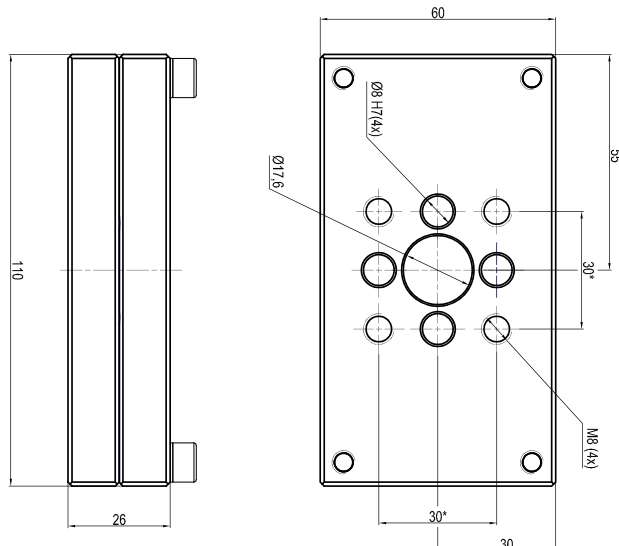
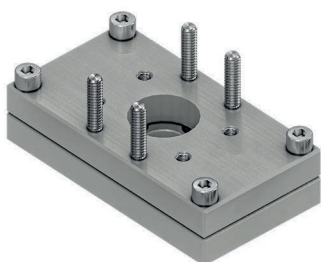


4

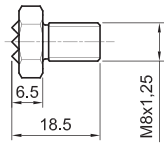
6 Rear flange mount
LGP40PT080



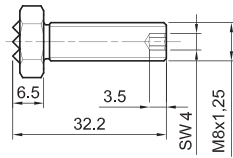
7 Rear flange mount
LGP40PT110



A Knurled



C



L

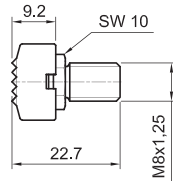


Tips	Weight
LGPK6940A-L	19g
LGPK6940A-C	14g

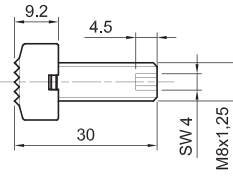
B Knurled
Self adjusting



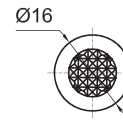
4



C

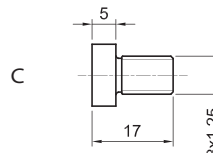


L

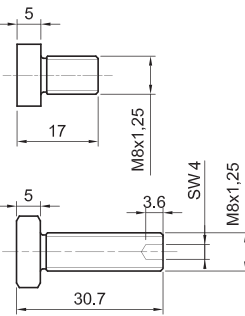


Tips	Weight
LGPK6940B-L	22g
LGPK6940B-C	17g

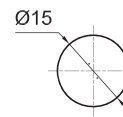
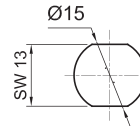
C Flat



C

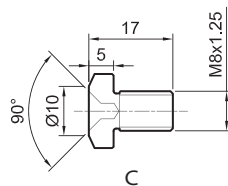


L

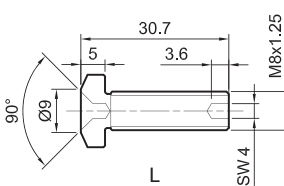


Tips	Weight
LGPK6940C-L	20g
LGPK6940C-C	14g

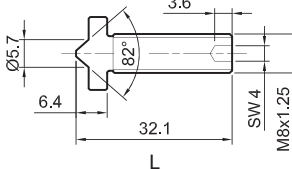
D Concave/Convex



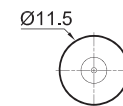
C



L



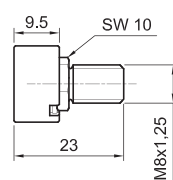
L



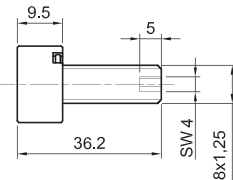
Concave	
Tips	Weight
LGPK6940D-L	19g
LGPK6940D-C	13g

Convex	
Tips	Weight
LGPK6940D-L	19g

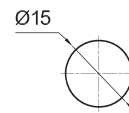
E Flat
Self adjusting



C



L



Tips	Weight
LGPK6940E-L	24g
LGPK6940E-C	19g

5

UNICLAMP

PNEUMATIC POWER PIVOTS

Without brake 60-600 Nm

UAGP063	2
UAGP075	5
UAGP080	8
UAGP120	11
UAGP150	14
UAGP155	17
UAGP170	20
UAGP210	23
UAGP215	26
UAGP300	29
UAGP350	32
UAGP355	35
UAGP600	38
UAGP605	41

With brake 60-600 Nm

UAGP063	44
UAGP075	47
UAGP080	50
UAGP120	53
UAGP150	56
UAGP155	59
UAGP170	62
UAGP210	65
UAGP215	68
UAGP300	71
UAGP350	74
UAGP355	77
UAGP600	80
UAGP605	83

Adjustable

UAGR063	86
---------	----

UAGP 063

Pneumatic power pivot 16 Nm without brake

Pneumatic power pivot without brake typically used to rotate and dump fixtures and parts in a desired position.

- High repeatability
- Mechanical stops
- Double pneumatic cushioning
- Fixing ports on 4 sides
- Roller bearings to support heavy load
- Orientable table in 4 pre-set positions
- Version with brake available



CHARACTERISTICS

Operating temperature	5° ÷ 45° C
Min./Max. Operating pressure	0,4 / 0,6 MPa
Bore Ø	63 mm
Pivot rotation	45°/60°/90°/120°
Holding moment	1500 Nm
Max. torque at rotary table (0,55MPa)	16 Nm
Weight	5 kg
Pneumatic supply ports	G1/4
Sensor	electronic (optical)
Supply voltage	10 ÷ 30 Vdc
IP code	IP 65

CODIFICATION KEY

UAG | P | 063 | O | K | 090 | W | 0 | |

1 2 3 4 5 6 7 8 9



OPTICAL SENSOR



HIGH REPEATABILITY

1 SERIES
UAG = UNICLAMP Power pivot

2 VERSION
P = Pneumatic

3 SIZE
063 = 16 Nm Ø 63 mm

4 TABLE POSITION
O = Horizontal 90° *
P = Horizontal mirror of "O" **
V = Vertical 180°
Z = Vertical mirror of "V"
*Max opening angle 90°
**Max opening angle 60°

5 SENSOR
N = No sensor (with protection plate)
K = Electronic sensor PNP, M12 (DF-K)
Y = Electronic sensor PNP, M12 (DF-Y)
white LED
J = Electronic sensor NPN, M12 (DF-J)

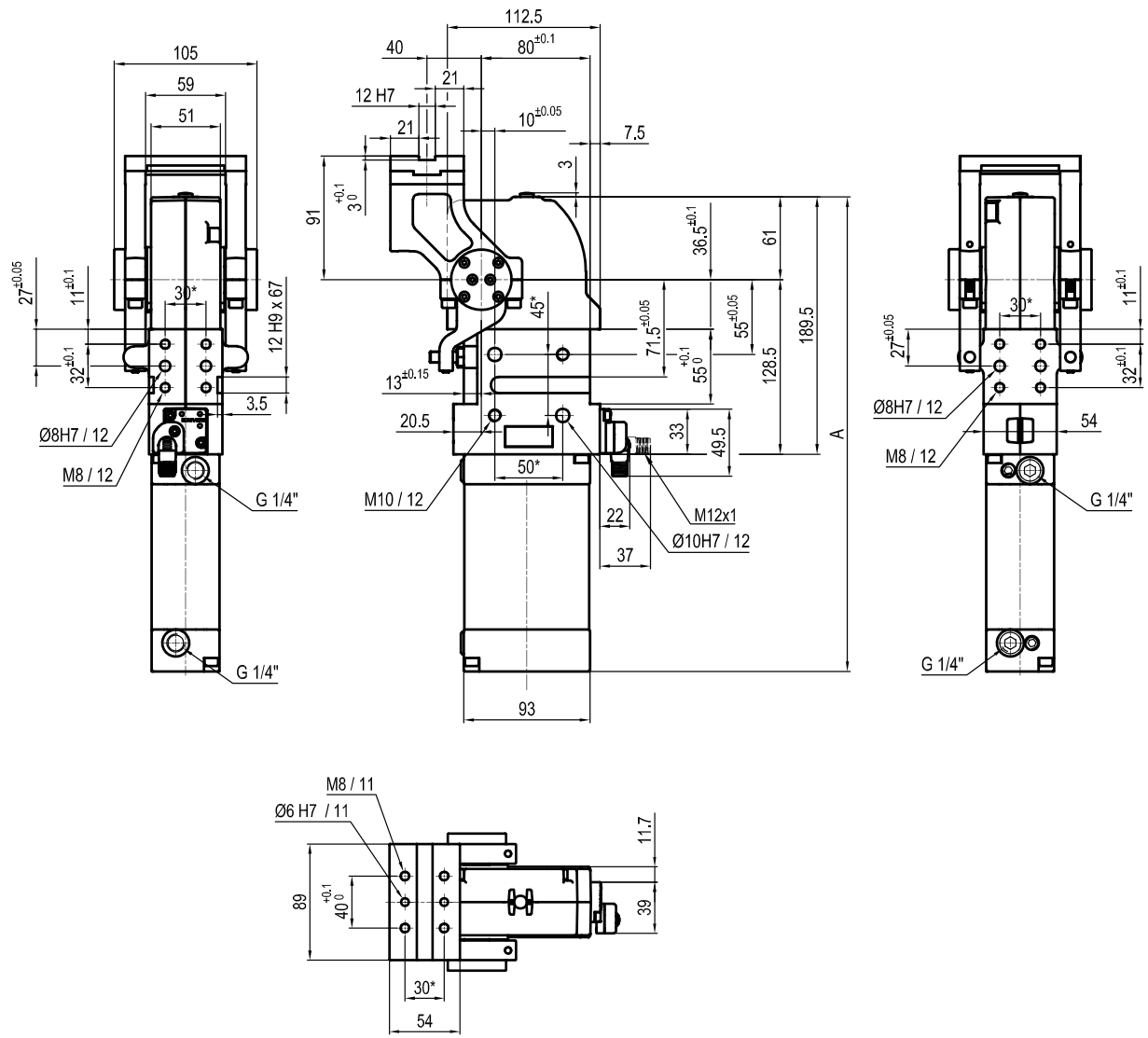
6 PIVOT ROTATION
120 = 120°
090 = 90°
060 = 60°
045 = 45°

7 BRAKE SYSTEM
W = Without brake

8 PRODUCT REVISION
Assigned by UNIVER

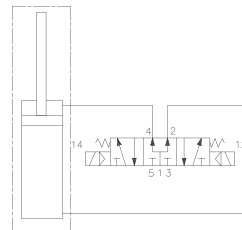
9 ATEX
X = ATEX option
See ATEX Catalogue for types and versions

O Horizontal 90°



5

*TOLERANCE BETWEEN DOWELS ± 0,02 BETWEEN SCREW HOLES ± 0,1



Pivot rotation (°)	A
45°	307.5
60°	315.5
90°	333
120°*	349.5

*ONLY FOR TABLE POSITION "V" AND "Z"

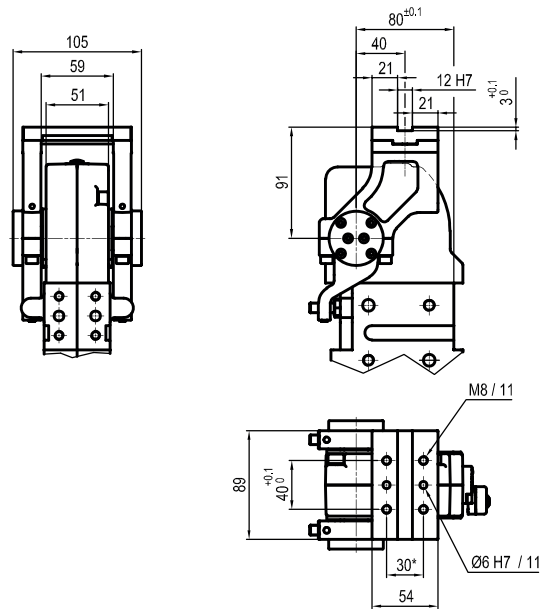
Sensors



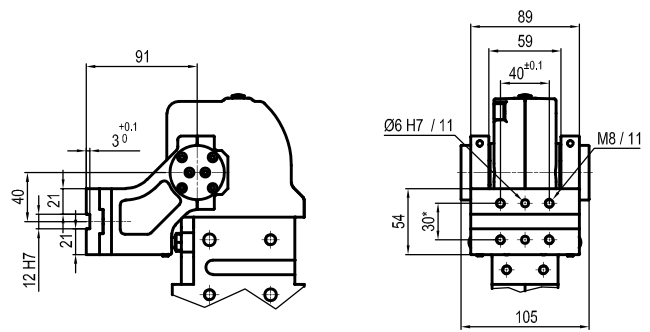
Electronic (optical)

- DF-K PNP M12
- DF-J NPN M12
- DF-Y PNP M12 White LED

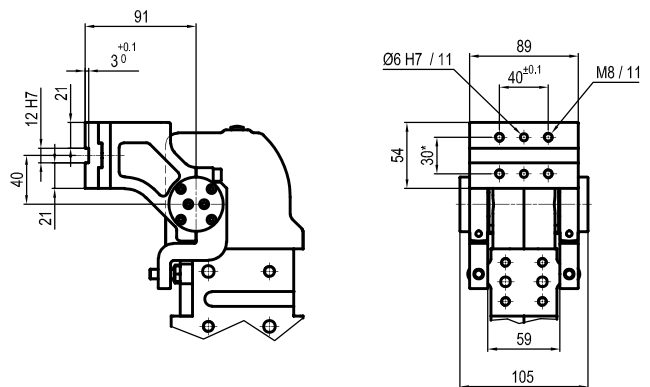
P Horizontal
Mirror of "O" position



5 **V** Vertical 180°



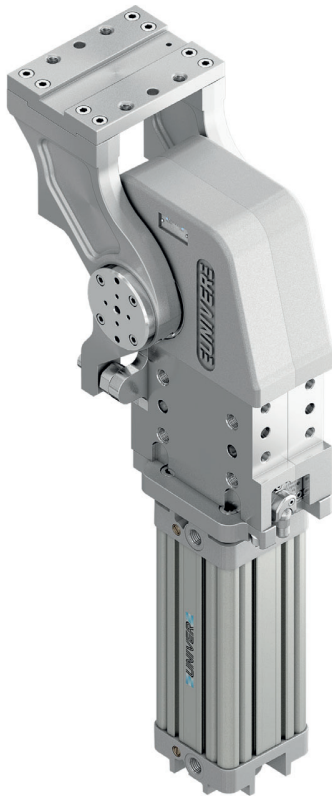
Z Vertical
Mirror of "V" position



UAGP 075

Pneumatic power pivot 75 Nm without brake

Pneumatic power pivot without brake typically used to rotate and dump fixtures and parts in a desired position.



- High repeatability
- Mechanical stops
- Integrated flow control system
- Double pneumatic cushioning
- Fixing ports on 4 sides
- Tapered roller bearings to support heavy load
- Orientable table in 4 pre-set positions
- Version with brake available

CHARACTERISTICS

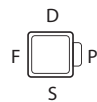
Operating temperature	5° ÷ 45° C
Min./Max. Operating pressure	0,4 / 0,6 MPa
Bore Ø	80 mm
Pivot rotation	45°/60°/90°/120°
Holding moment	6000 Nm
Max. torque at rotary table (0,55MPa)	75 Nm
Weight	18 Kg
Pneumatic supply ports	G3/8
Sensor	electronic (optical)
Supply voltage	10 ÷ 30 Vdc
IP code	IP 65

CODIFICATION KEY

UAG	P	075	O	K	090	W	S	0	
1	2	3	4	5	6	7	8	9	10

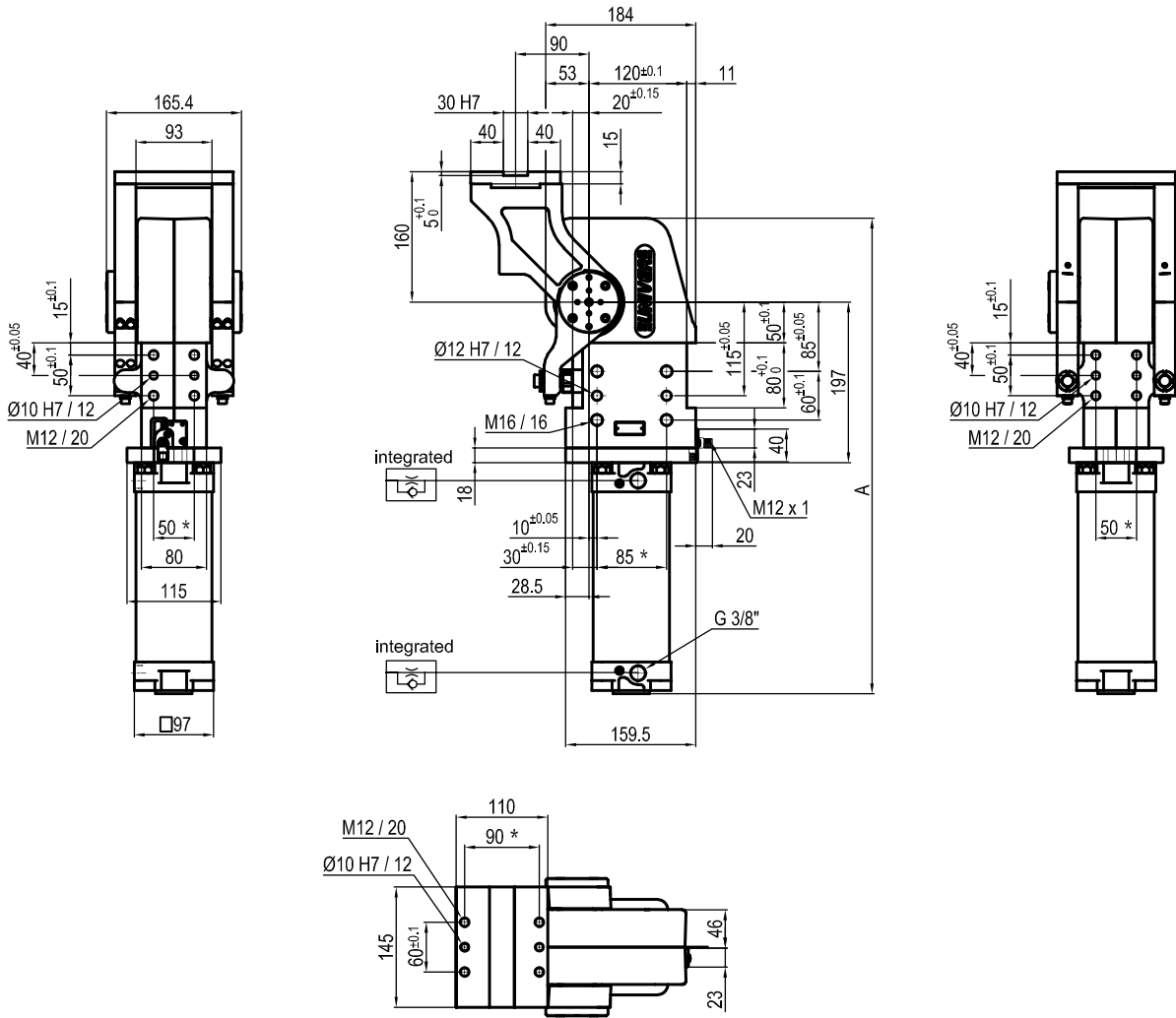
- OPTICAL SENSOR
- FLOW CONTROL SYSTEM
- HIGH REPEATABILITY

1	SERIES UAG = UNICLAMP Power pivot	6	PIVOT ROTATION 120 = 120° 090 = 90° 060 = 60° 045 = 45°
2	VERSION P = Pneumatic	7	BRAKE SYSTEM W = Without brake
3	SIZE 075 = 75 Nm Ø 80 mm	8	CONNECTIONS S = Left side (Standard) D = Right side F = Front side P = Rear side
4	TABLE POSITION O = Horizontal 90° P = Horizontal mirror of "O" V = Vertical 180° Z = Vertical mirror of "V" *Max opening angle 60°	9	PRODUCT REVISION Assigned by UNIVER
5	SENSOR N = No sensor (with protection plate) K = Electronic sensor PNP, M12 (DF-K) Y = Electronic sensor PNP, M12 (DF-Y) white LED J = Electronic sensor NPN, M12 (DF-J)	10	ATEX X = ATEX option See ATEX Catalogue for types and versions

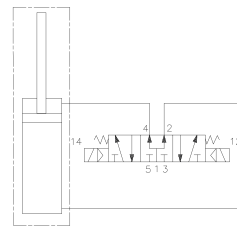


Horizontal 90°

5



*TOLERANCE BETWEEN DOWELS ± 0,02 BETWEEN SCREW HOLES ± 0,1



Pivot rotation (°)	A
45°	504
60°	518
90°	549
120°	583.5

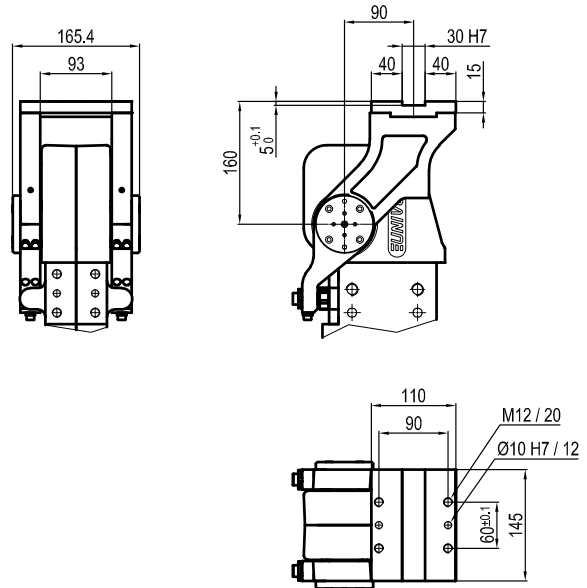
Sensors



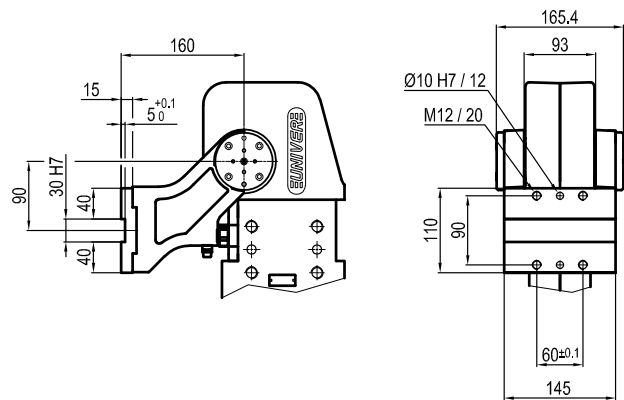
Electronic (optical)

- DF-K PNP M12
- DF-J NPN M12
- DF-Y PNP M12 White LED

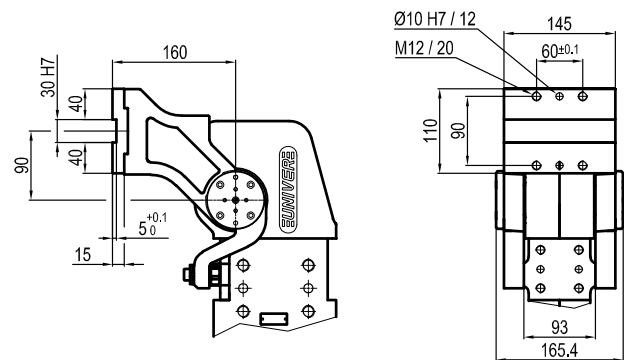
P Horizontal
Mirror of "O" position



V Vertical 180°



Z Vertical
Mirror of "V" position

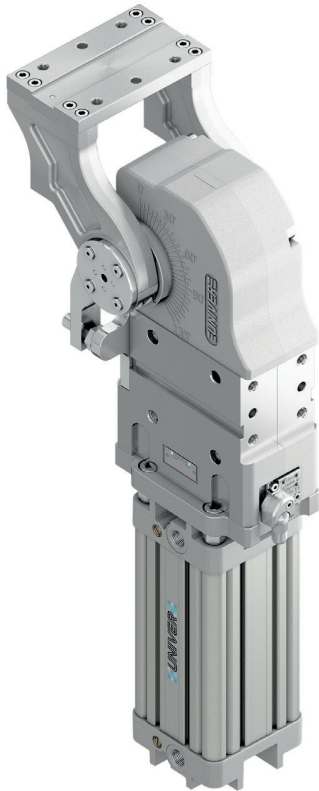


UAGP 080

Pneumatic power pivot 60 Nm without brake

Pneumatic power pivot without brake typically used to rotate and dump fixtures and parts in a desired position.

- High repeatability
- Mechanical stops
- Integrated flow control system
- Double pneumatic cushioning
- Fixing ports on 4 sides
- Tapered roller bearings to support heavy load
- Orientable table in 4 pre-set positions
- Version with brake available



CHARACTERISTICS

Operating temperature	5° ÷ 45° C
Min./Max. Operating pressure	0,4 / 0,6 MPa
Bore Ø	80 mm
Pivot rotation	45°/60°/ 90°/120°
Holding moment	4000 Nm
Max. torque at rotary table (0,55MPa)	60 Nm
Weight	15 Kg
Pneumatic supply ports	G3/8
Sensor	electronic (optical)
Supply voltage	10 ÷ 30 Vdc
IP code	IP 65

CODIFICATION KEY

UAG	P	080	O	K	090	W	S	0	
1	2	3	4	5	6	7	8	9	10



OPTICAL SENSOR



FLOW CONTROL SYSTEM



HIGH REPEATABILITY

1 SERIES
UAG = UNICLAMP Power pivot

2 VERSION
P = Pneumatic

3 SIZE
080 = 60 Nm Ø 80 mm

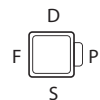
4 TABLE POSITION
O = Horizontal 90°
P = Horizontal mirror of "O"*
V = Vertical 180°
Z = Vertical mirror of "V"
*Max opening angle 60°

5 SENSOR
N = No sensor (with protection plate)
K = Electronic sensor PNP, M12 (DF-K)
Y = Electronic sensor PNP, M12 (DF-Y) white LED
J = Electronic sensor NPN, M12 (DF-J)

6 PIVOT ROTATION
120 = 120°
090 = 90°
060 = 60°
045 = 45°

7 BRAKE SYSTEM
W = Without brake

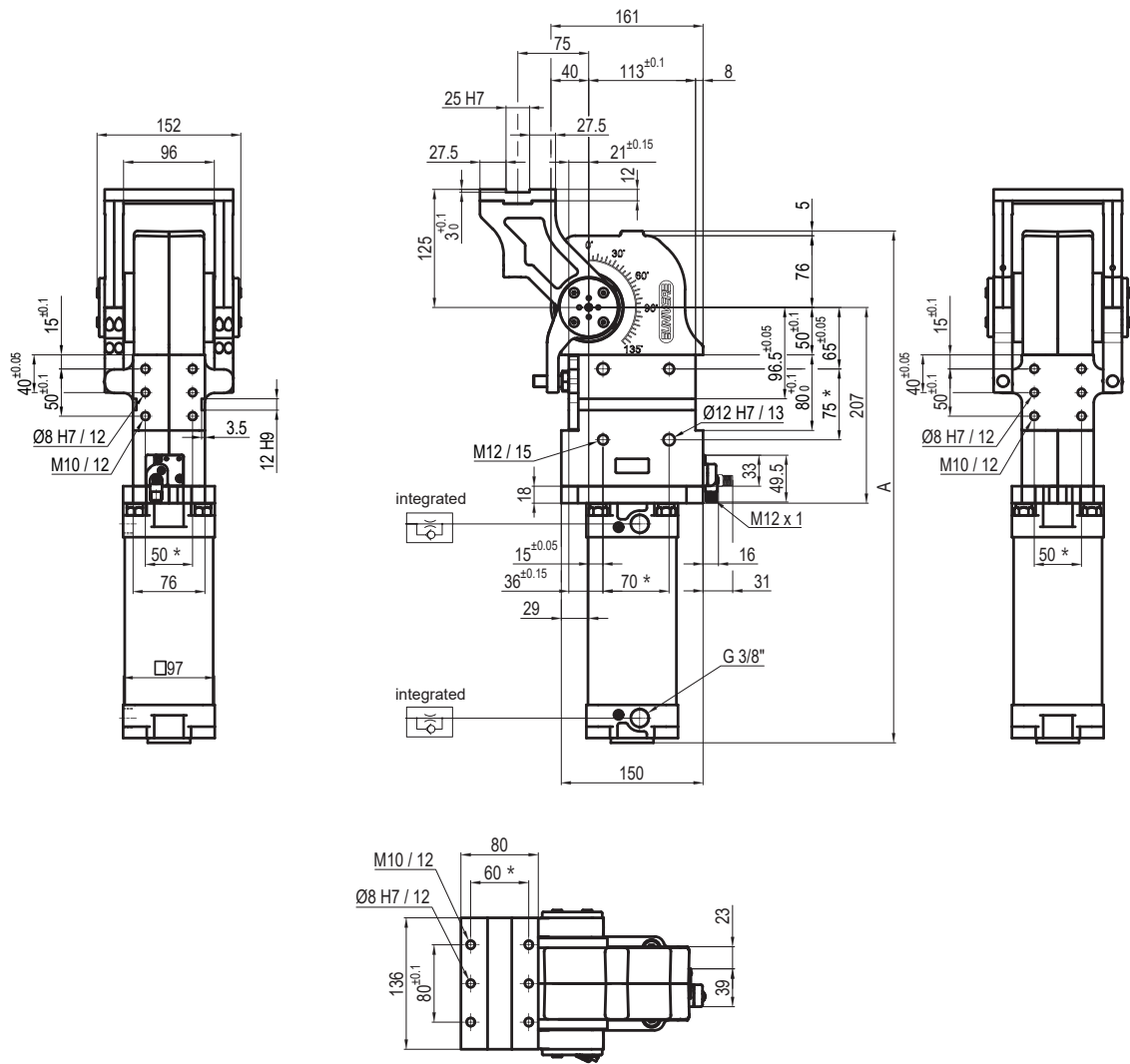
8 CONNECTIONS
S = Left side (Standard)
D = Right side
F = Front side
P = Rear side



9 PRODUCT REVISION
Assigned by UNIVER

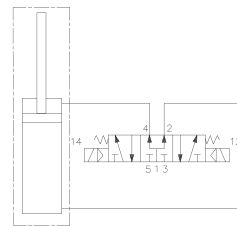
10 ATEX
X = ATEX option
See ATEX Catalogue for types and versions

Horizontal 90°



5

*TOLERANCE BETWEEN DOWELS ± 0,02 BETWEEN SCREW HOLES ± 0,1



Pivot rotation (°)	A
45°	480
60°	491.5
90°	516.5
120°	541.5

Sensors



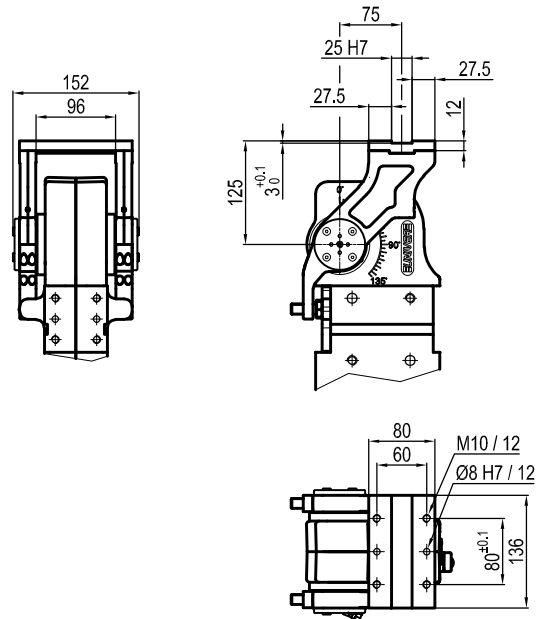
Electronic (optical)

DF-K PNP M12

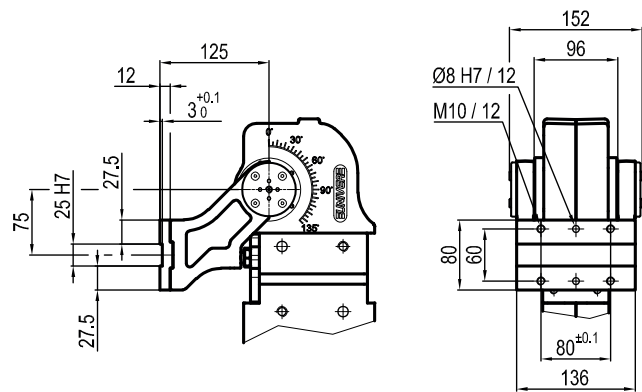
DF-J NPN M12

DF-Y PNP M12 White LED

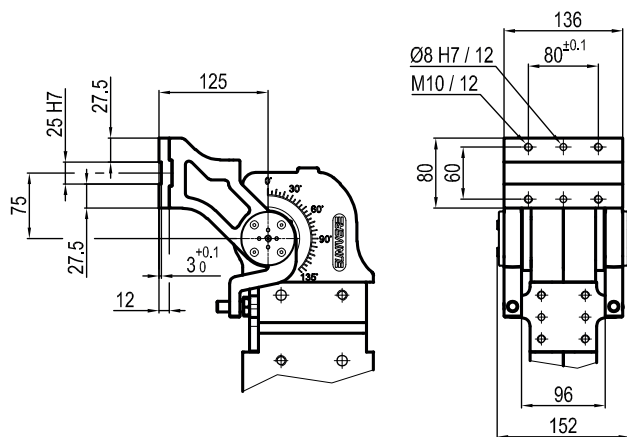
P Horizontal
Mirror of "O" position



5 **V** Vertical 180°



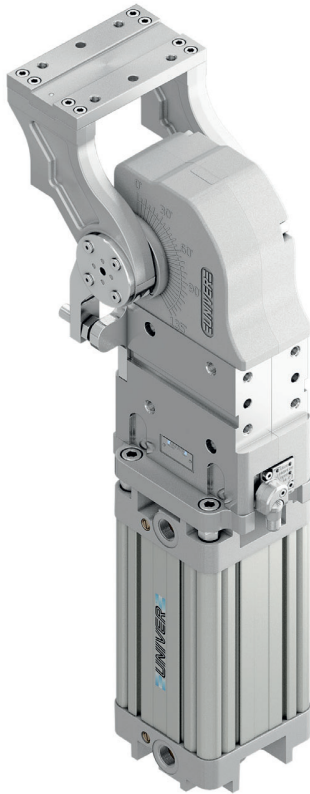
Z Vertical
Mirror of "V" position



UAGP 120

Pneumatic power pivot 110 Nm without brake

Pneumatic power pivot without brake typically used to rotate and dump fixtures and parts in a desired position.



- High repeatability
- Mechanical stops
- Integrated flow control system
- Double pneumatic cushioning
- Fixing ports on 4 sides
- Tapered roller bearings to support heavy load
- Orientable table in 4 pre-set positions
- Version with brake available

CHARACTERISTICS

Operating temperature	5° ÷ 45° C
Min./Max. Operating pressure	0,4 / 0,6 MPa
Bore Ø	100 mm
Pivot rotation	45°/60°/90°/120°
Holding moment	4000 Nm
Max. torque at rotary table (0,55MPa)	110 Nm
Weight	16,5 Kg
Pneumatic supply ports	G1/2
Sensor	electronic (optical)
Supply voltage	10 ÷ 30 Vdc
IP code	IP 65

CODIFICATION KEY

UAG	P	120	O	K	090	W	S	0	
1	2	3	4	5	6	7	8	9	10



OPTICAL SENSOR



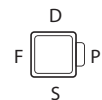
FLOW CONTROL SYSTEM



HIGH REPEATABILITY

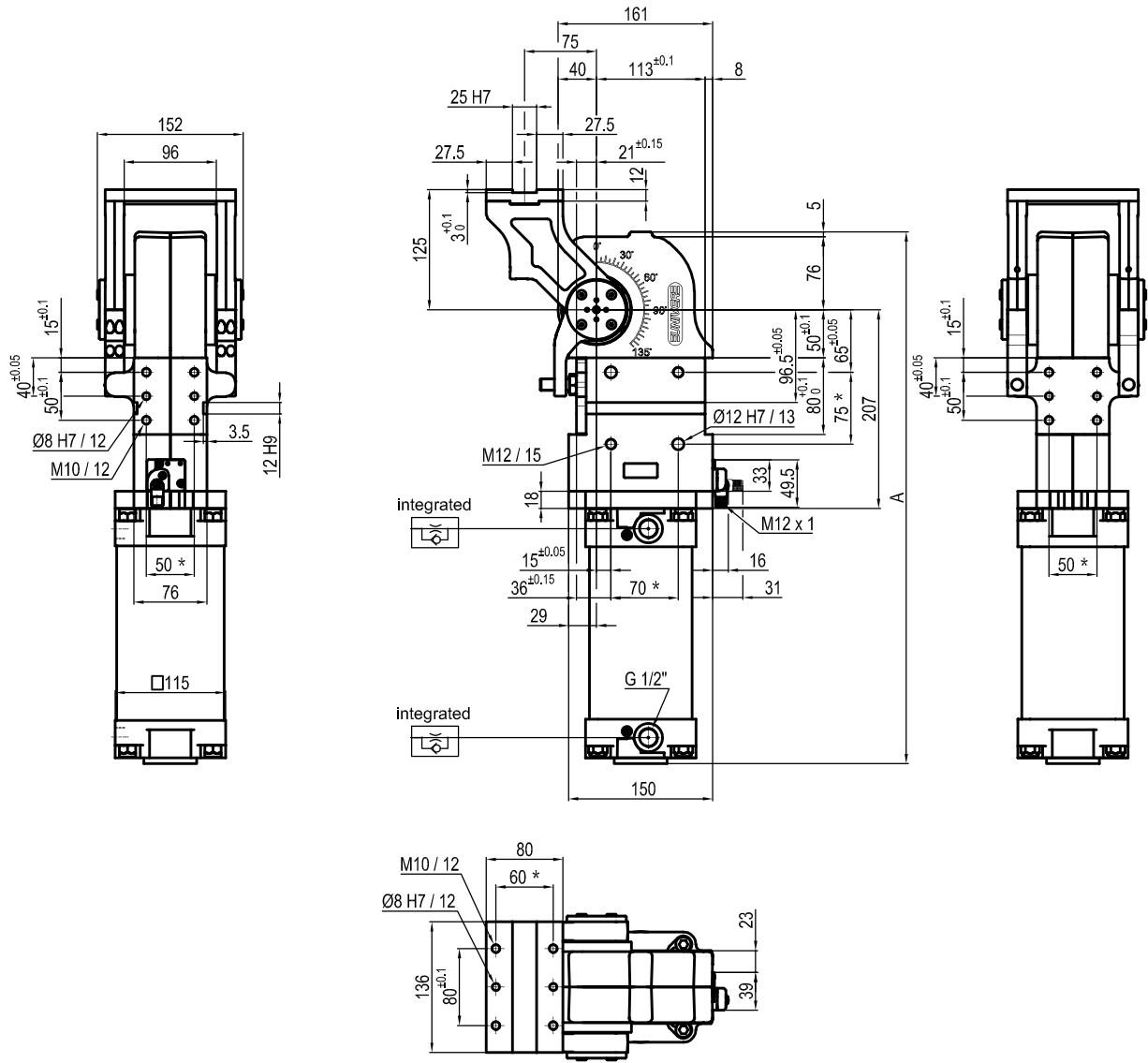
- 1** SERIES
UAG = UNICLAMP Power pivot
- 2** VERSION
P = Pneumatic
- 3** SIZE
120 = 110 Nm Ø 100 mm
- 4** TABLE POSITION
O = Horizontal 90°
P = Horizontal mirror of "O"
V = Vertical 180°
Z = Vertical mirror of "V"
*Max opening angle 60°
- 5** SENSOR
N = No sensor (with protection plate)
K = Electronic sensor PNP, M12 (DF-K)
Y = Electronic sensor PNP, M12 (DF-Y) white LED
J = Electronic sensor NPN, M12 (DF-J)

- 6** PIVOT ROTATION
120 = 120°
090 = 90°
060 = 60°
045 = 45°
- 7** BRAKE SYSTEM
W = Without brake
- 8** CONNECTIONS
S = Left side (Standard)
D = Right side
F = Front side
P = Rear side
- 9** PRODUCT REVISION
Assigned by UNIVER
- 10** ATEX
X = ATEX option
See ATEX Catalogue for types and versions

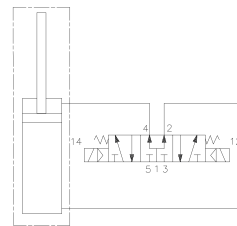


Horizontal 90°

5



*TOLERANCE BETWEEN DOWELS $\pm 0,02$ BETWEEN SCREW HOLES $\pm 0,1$



Pivot rotation (°)	A
45°	492
60°	503.5
90°	528.5
120°	553.5

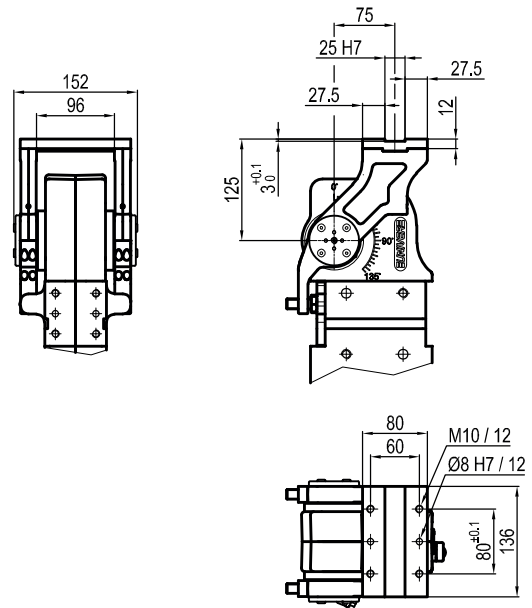
Sensors



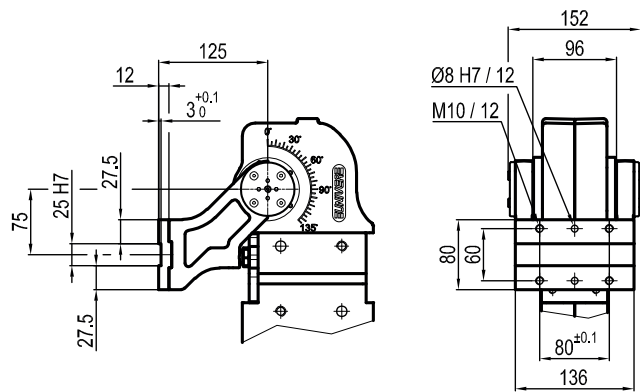
Electronic (optical)

- DF-K PNP M12
- DF-J NPN M12
- DF-Y PNP M12 White LED

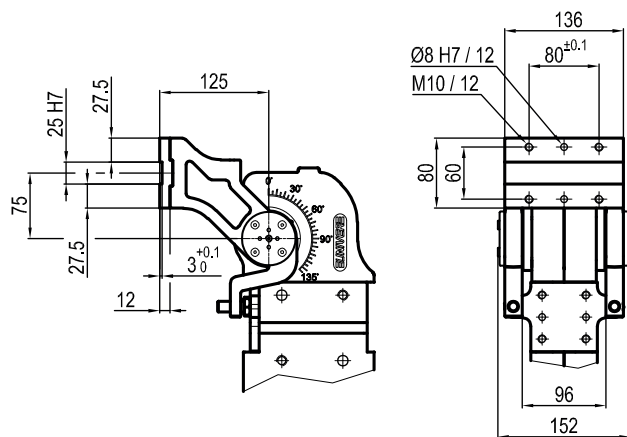
P Horizontal
Mirror of "O" position



V Vertical 180°



Z Vertical
Mirror of "V" position

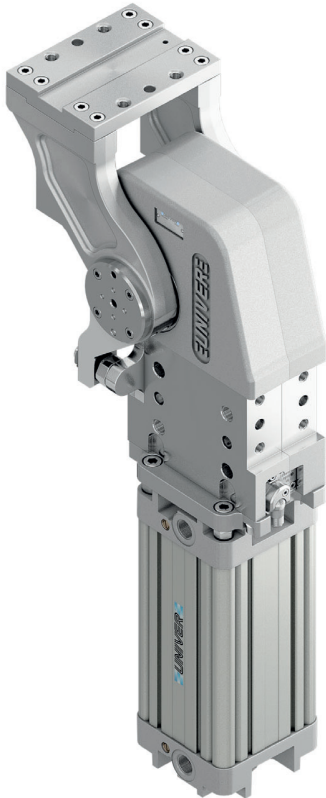


UAGP 150

Pneumatic power pivot 120 Nm without brake

Pneumatic power pivot without brake typically used to rotate and dump fixtures and parts in a desired position.

- High repeatability
- Mechanical stops
- Integrated flow control system
- Double pneumatic cushioning
- Fixing ports on 4 sides
- Tapered roller bearings to support heavy load
- Orientable table in 4 pre-set positions
- Version with brake available



CHARACTERISTICS

Operating temperature	5° ÷ 45° C
Min./Max. Operating pressure	0,4 / 0,6 MPa
Bore Ø	100 mm
Pivot rotation	45°/60°/90°/120°
Holding moment	6000 Nm
Max. torque at rotary table (0,55MPa)	120 Nm
Weight	23 Kg
Pneumatic supply ports	G1/2
Sensor	electronic (optical)
Supply voltage	10 ÷ 30 Vdc
IP code	IP 65

CODIFICATION KEY

UAG	P	150	O	K	090	W	S	0	
1	2	3	4	5	6	7	8	9	10



OPTICAL SENSOR



FLOW CONTROL SYSTEM



HIGH REPEATABILITY

1 SERIES
UAG = UNICLAMP Power pivot

2 VERSION
P = Pneumatic

3 SIZE
150 = 120 Nm Ø 100 mm

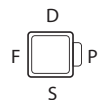
4 TABLE POSITION
O = Horizontal 90°
P = Horizontal mirror of "O"
V = Vertical 180°
Z = Vertical mirror of "V"
*Max opening angle 60°

5 SENSOR
N = No sensor (with protection plate)
K = Electronic sensor PNP, M12 (DF-K)
Y = Electronic sensor PNP, M12 (DF-Y) white LED
J = Electronic sensor NPN, M12 (DF-J)

6 PIVOT ROTATION
120 = 120°
090 = 90°
060 = 60°
045 = 45°

7 BRAKE SYSTEM
W = Without brake

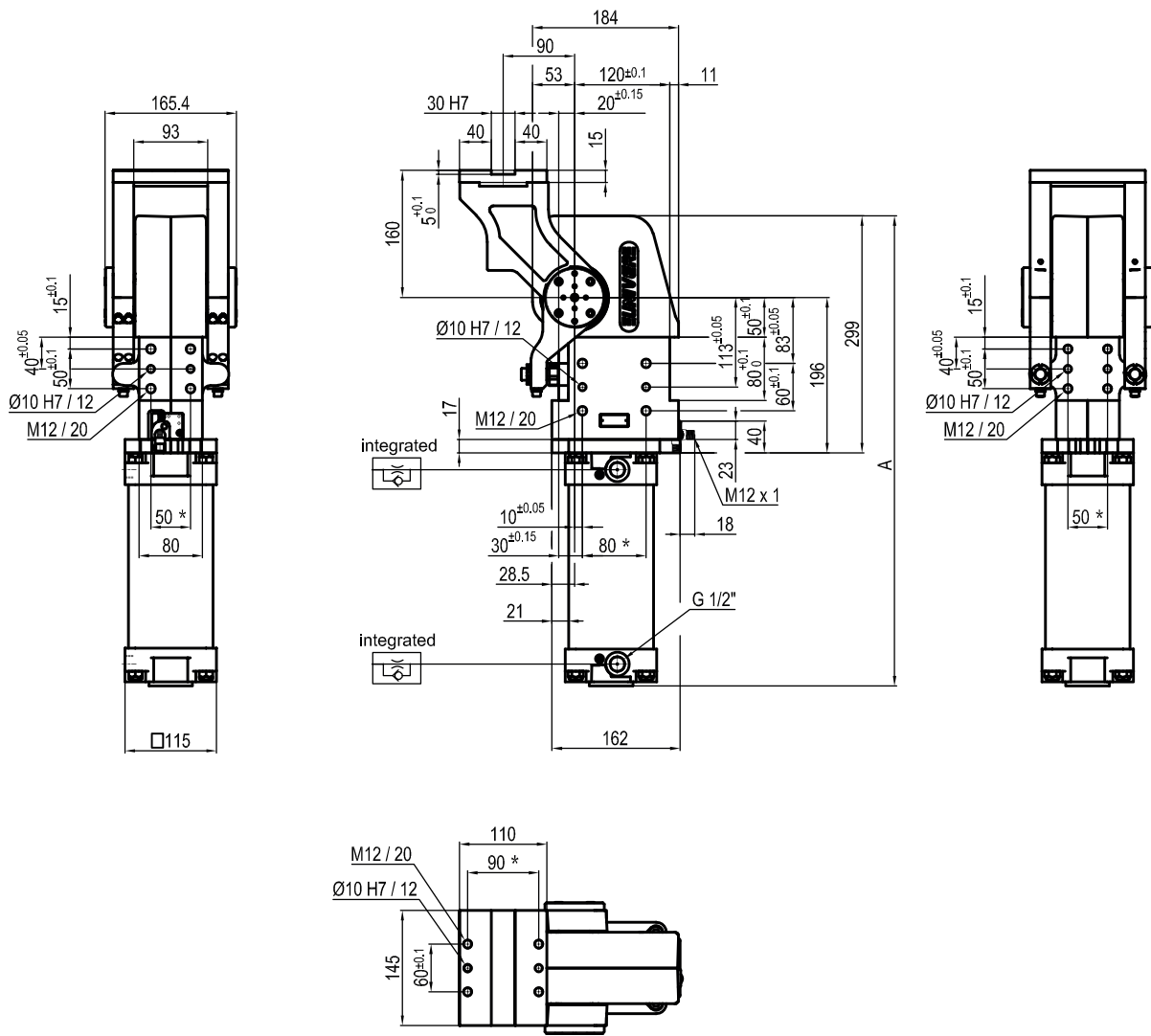
8 CONNECTIONS
S = Left side (Standard)
D = Right side
F = Front side
P = Rear side



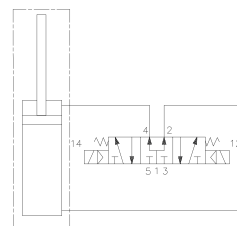
9 PRODUCT REVISION
Assigned by UNIVER

10 ATEX
X = ATEX option
See ATEX Catalogue for types and versions

○ Horizontal 90°



5



Pivot rotation (°)	A
45°	513.5
60°	527
90°	558
120°	592.5

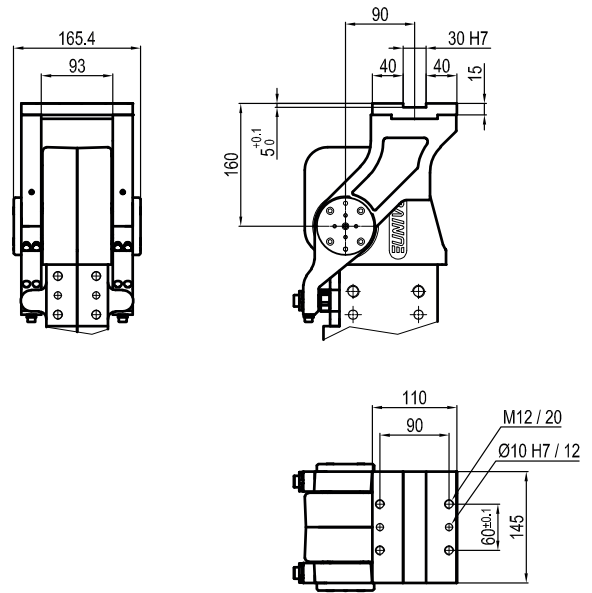
*TOLERANCE BETWEEN DOWELS ± 0,02 BETWEEN SCREW HOLES ± 0,1

Sensors



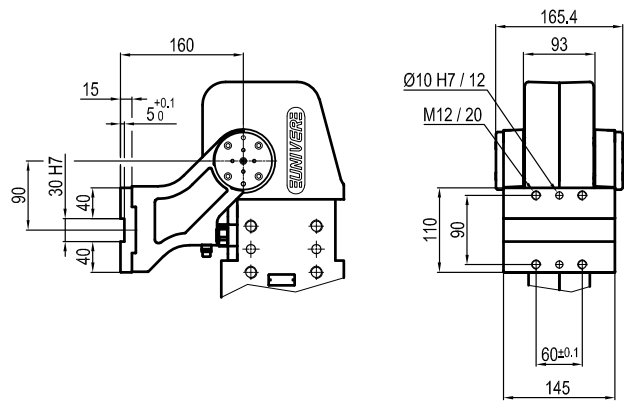
- Electronic (optical)
- DF-K PNP M12
- DF-J NPN M12
- DF-Y PNP M12 White LED

P Horizontal
Mirror of "O" position

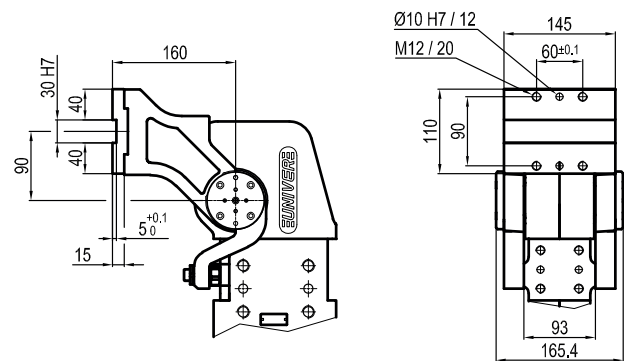


5

V Vertical 180°



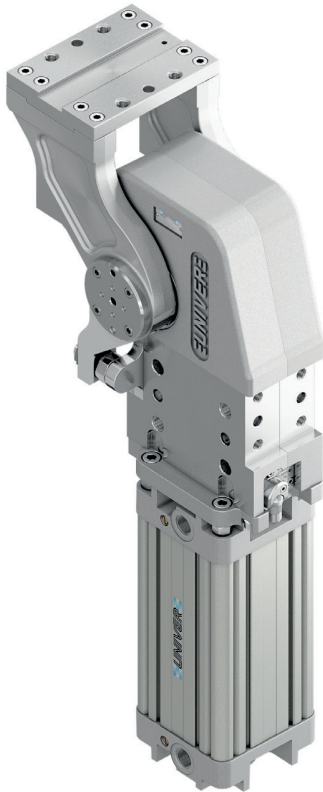
Z Vertical
Mirror of "V" position



UAGP 155

Pneumatic power pivot 120 Nm without brake

Pneumatic power pivot without brake typically used to rotate and dump fixtures and parts in a desired position.



- High repeatability
- Mechanical stops
- Integrated flow control system
- Double pneumatic cushioning
- Fixing ports on 4 sides
- Tapered roller bearings to support heavy load
- Orientable table in 4 pre-set positions
- Version with brake available

CHARACTERISTICS

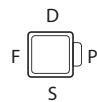
Operating temperature	5° ÷ 45° C
Min./Max. Operating pressure	0,4 / 0,6 MPa
Bore Ø	100 mm
Pivot rotation	45°/60°/90°/120°
Holding moment	6000 Nm
Max. torque at rotary table (0,55MPa)	120 Nm
Weight	23 Kg
Pneumatic supply ports	G1/2
Sensor	electronic (optical)
Supply voltage	10 ÷ 30 Vdc
IP code	IP 65

CODIFICATION KEY

UAG	P	155	O	K	090	W	S	0	
1	2	3	4	5	6	7	8	9	10

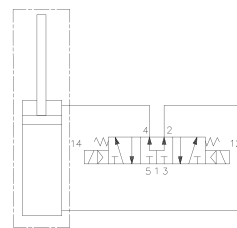
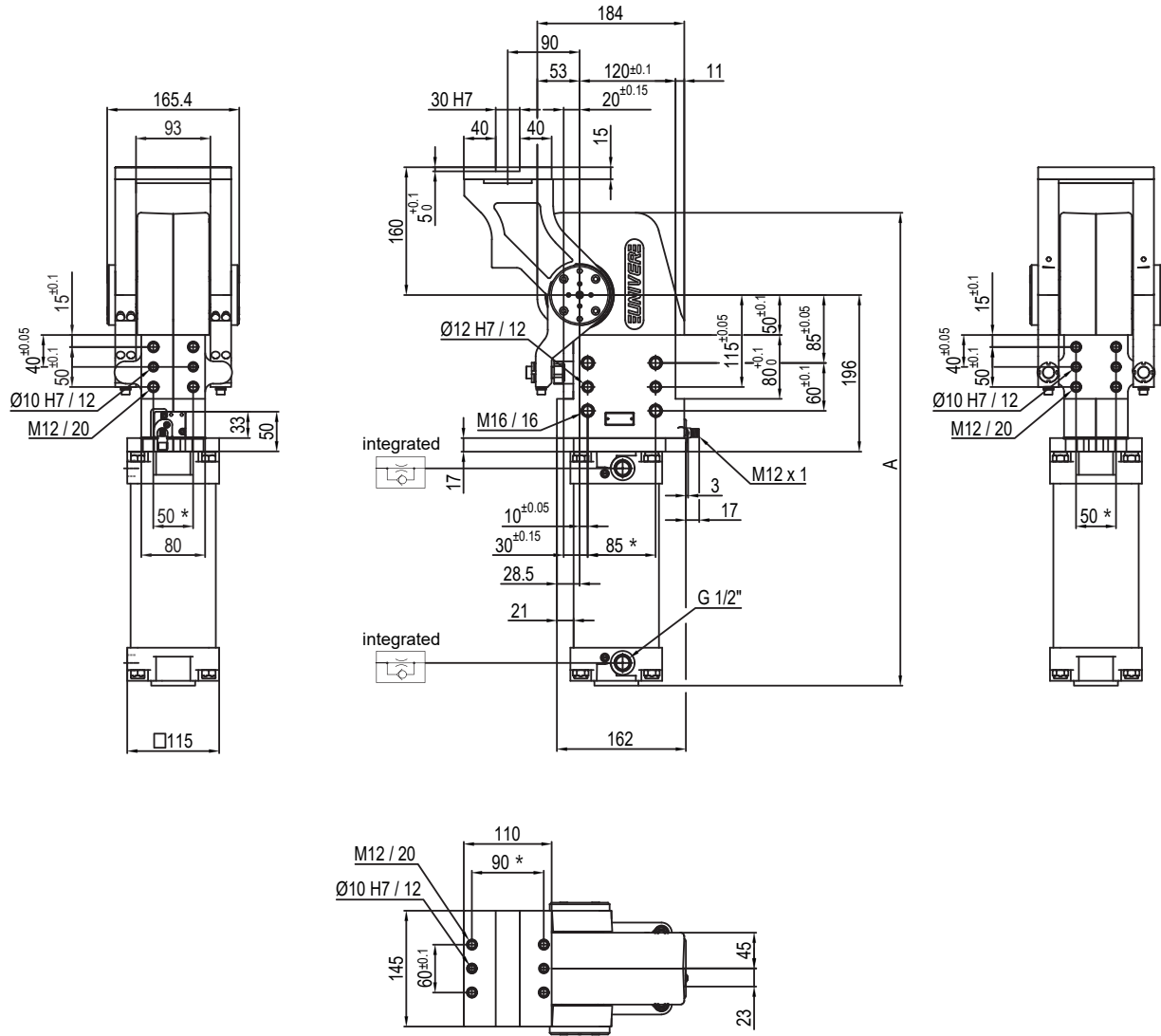
- OPTICAL SENSOR
- FLOW CONTROL SYSTEM
- HIGH REPEATABILITY

1	SERIES UAG = UNICLAMP Power pivot	6	PIVOT ROTATION 120 = 120° 090 = 90° 060 = 60° 045 = 45°
2	VERSION P = Pneumatic	7	BRAKE SYSTEM W = Without brake
3	SIZE 155 = 120 Nm Ø 100 mm	8	CONNECTIONS S = Left side (Standard) D = Right side F = Front side P = Rear side
4	TABLE POSITION O = Horizontal 90° P = Horizontal mirror of "O" V = Vertical 180° Z = Vertical mirror of "V" *Max opening angle 60°	9	PRODUCT REVISION Assigned by UNIVER
5	SENSOR N = No sensor (with protection plate) K = Electronic sensor PNP, M12 (DF-K) Y = Electronic sensor PNP, M12 (DF-Y) white LED J = Electronic sensor NPN, M12 (DF-J)	10	ATEX X = ATEX option See ATEX Catalogue for types and versions



Horizontal 90°

5



Pivot rotation (°)	A
45°	514.5
60°	528
90°	559
120°	593.5

*TOLERANCE BETWEEN DOWELS ± 0,02 BETWEEN SCREW HOLES ± 0,1

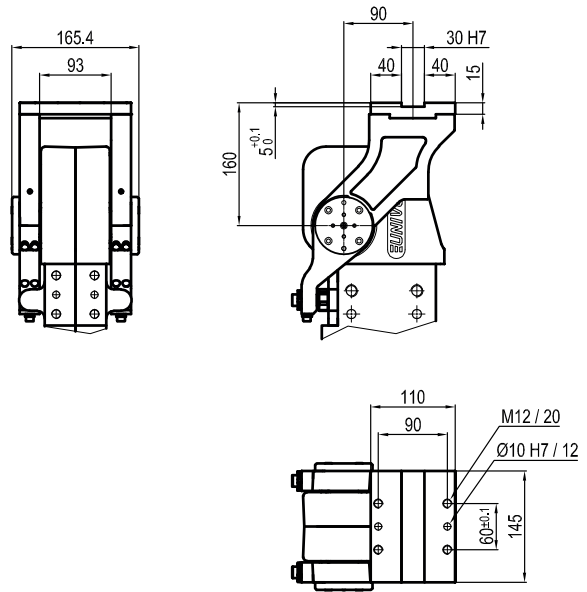
Sensors



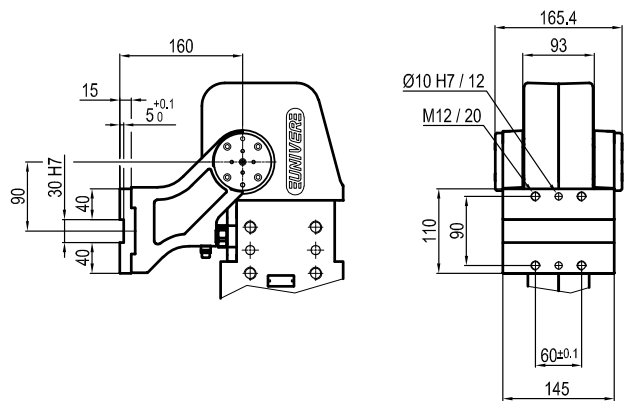
Electronic (optical)

- DF-K PNP M12
- DF-J NPN M12
- DF-Y PNP M12 White LED

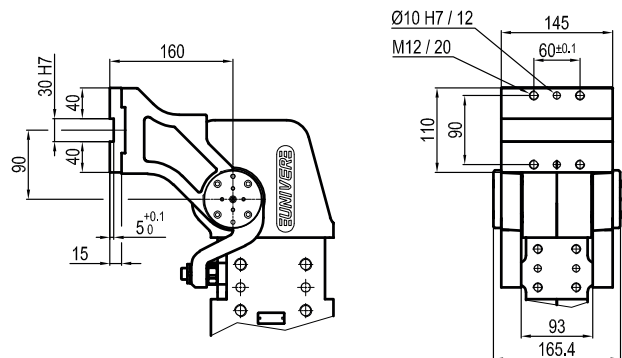
P Horizontal
Mirror of "O" position



V Vertical 180°



Z Vertical
Mirror of "V" position

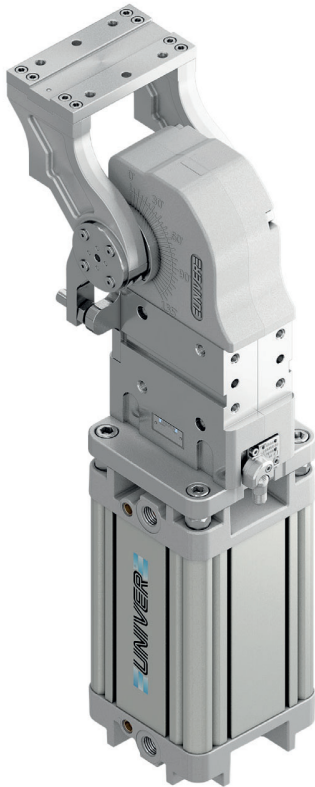


UAGP 170

Pneumatic power pivot 170 Nm without brake

Pneumatic power pivot without brake typically used to rotate and dump fixtures and parts in a desired position.

- High repeatability
- Mechanical stops
- Integrated flow control system
- Double pneumatic cushioning
- Fixing ports on 4 sides
- Tapered roller bearings to support heavy load
- Orientable table in 4 pre-set positions
- Version with brake available



CHARACTERISTICS

Operating temperature	5° ÷ 45° C
Min./Max. Operating pressure	0,4 / 0,6 MPa
Bore Ø	125 mm
Pivot rotation	45°/60°/90°/120°
Holding moment	4000 Nm
Max. torque at rotary table (0,55MPa)	170 Nm
Weight	21,3 Kg
Pneumatic supply ports	G1/2
Sensor	electronic (optical)
Supply voltage	10 ÷ 30 Vdc
IP code	IP 65

CODIFICATION KEY

UAG	P	170	O	K	090	W	S	0	
1	2	3	4	5	6	7	8	9	10



OPTICAL SENSOR



FLOW CONTROL SYSTEM



HIGH REPEATABILITY

1 SERIES
UAG = UNICLAMP Power pivot

2 VERSION
P = Pneumatic

3 SIZE
170 = 170 Nm Ø 125 mm

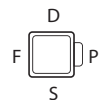
4 TABLE POSITION
O = Horizontal 90°
P = Horizontal mirror of "O"*
V = Vertical 180°
Z = Vertical mirror of "V"
*Max opening angle 60°

5 SENSOR
N = No sensor (with protection plate)
K = Electronic sensor PNP, M12 (DF-K)
Y = Electronic sensor PNP, M12 (DF-Y) white LED
J = Electronic sensor NPN, M12 (DF-J)

6 PIVOT ROTATION
120 = 120°
090 = 90°
060 = 60°
045 = 45°

7 BRAKE SYSTEM
W = Without brake

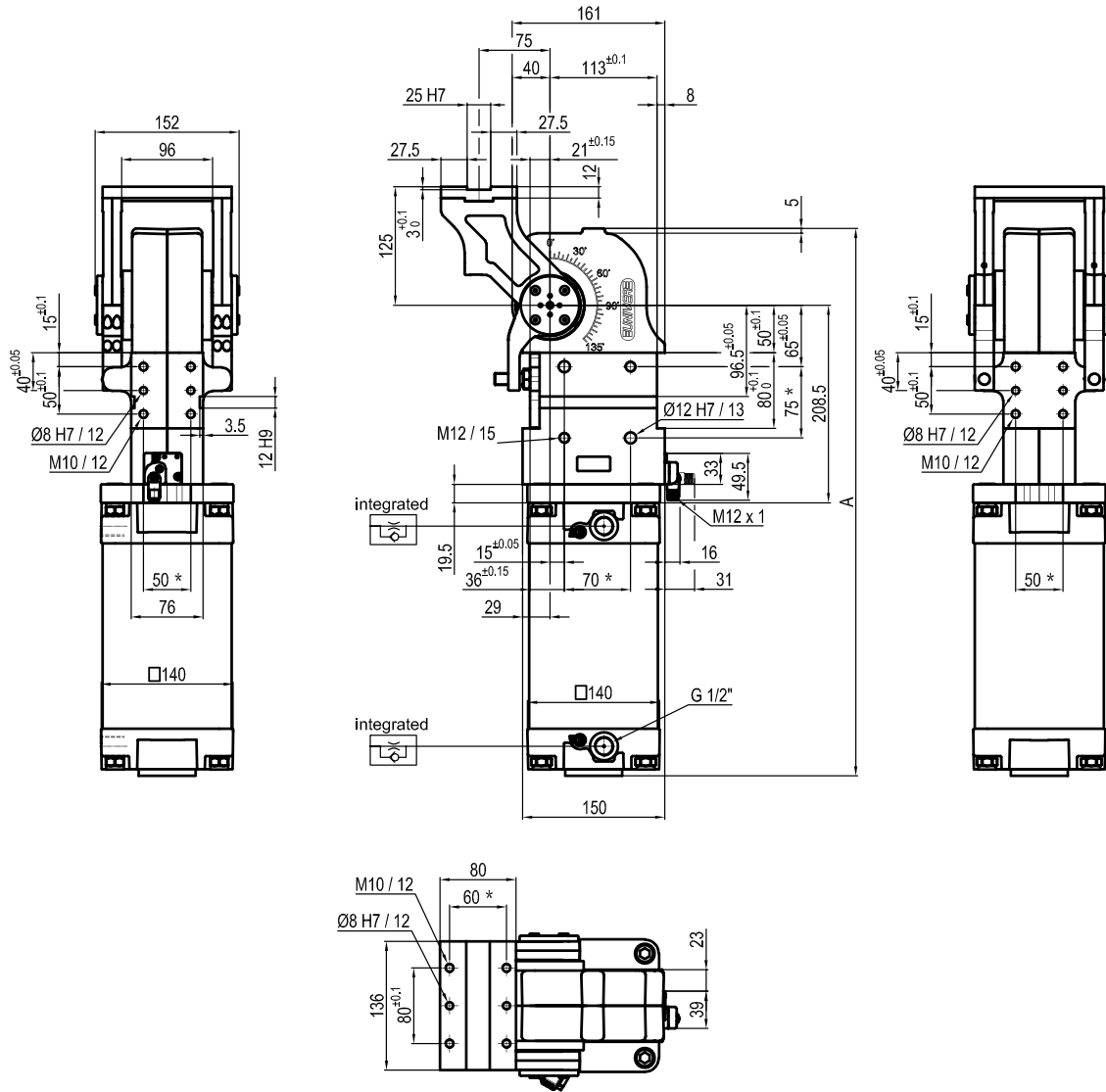
8 CONNECTIONS
S = Left side (Standard)
D = Right side
F = Front side
P = Rear side



9 PRODUCT REVISION
Assigned by UNIVER

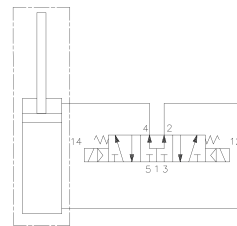
10 ATEX
X = ATEX option
See ATEX Catalogue for types and versions

Horizontal 90°



5

*TOLERANCE BETWEEN DOWELS ± 0,02 BETWEEN SCREW HOLES ± 0,1



Pivot rotation (°)	A
45°	514.5
60°	526
90°	551
120°	576.5

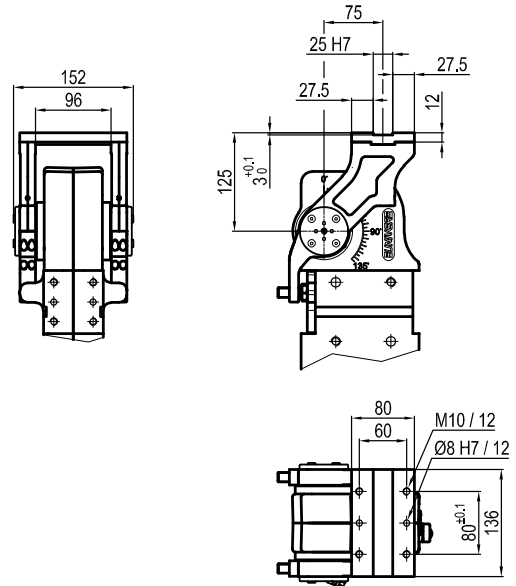
Sensors



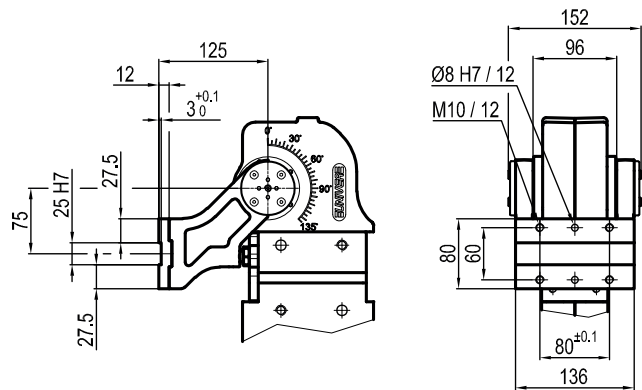
Electronic (optical)

- DF-K PNP M12
- DF-J NPN M12
- DF-Y PNP M12 White LED

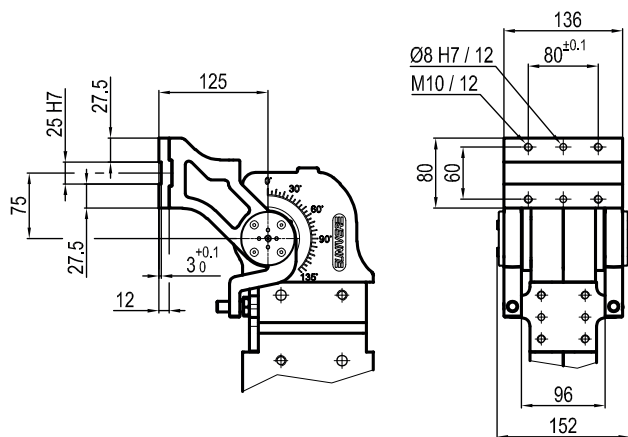
P Horizontal
Mirror of "O" position



5 **V** Vertical 180°



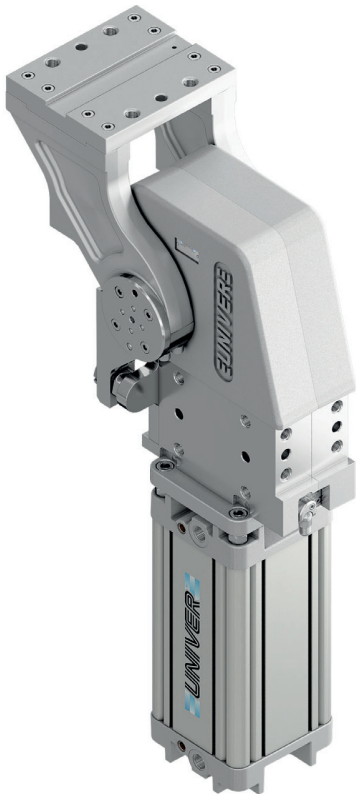
Z Vertical
Mirror of "V" position



UAGP 210

Pneumatic power pivot 210 Nm without brake

Pneumatic power pivot without brake typically used to rotate and dump fixtures and parts in a desired position.



- High repeatability
- Mechanical stops
- Integrated flow control system
- Double pneumatic cushioning
- Fixing ports on 4 sides
- Tapered roller bearings to support heavy load
- Orientable table in 4 pre-set positions
- Version with brake available

CHARACTERISTICS

Operating temperature	5° ÷ 45° C
Min./Max. Operating pressure	0,4 / 0,6 MPa
Bore Ø	125 mm
Pivot rotation	45°/60°/90°/120°
Holding moment	8000 Nm
Max. torque at rotary table (0,55MPa)	210 Nm
Weight	43 Kg
Pneumatic supply ports	G1/2
Sensor	electronic (optical)
Supply voltage	10 ÷ 30 Vdc
IP code	IP 65

CODIFICATION KEY

UAG	P	210	O	K	090	W	S	0	
1	2	3	4	5	6	7	8	9	10



OPTICAL SENSOR



FLOW CONTROL SYSTEM



HIGH REPEATABILITY

1 SERIES
UAG = UNICLAMP Power pivot

2 VERSION
P = Pneumatic

3 SIZE
210 = 210 Nm Ø 125 mm

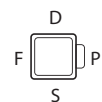
4 TABLE POSITION
O = Horizontal 90°
P = Horizontal mirror of "O"
V = Vertical 180°
Z = Vertical mirror of "V"
*Max opening angle 60°

5 SENSOR
N = No sensor (with protection plate)
K = Electronic sensor PNP, M12 (DF-K)
Y = Electronic sensor PNP, M12 (DF-Y) white LED
J = Electronic sensor NPN, M12 (DF-J)

6 PIVOT ROTATION
120 = 120°
090 = 90°
060 = 60°
045 = 45°

7 BRAKE SYSTEM
W = Without brake

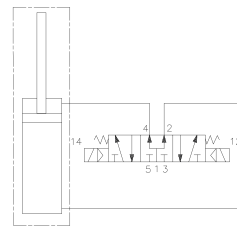
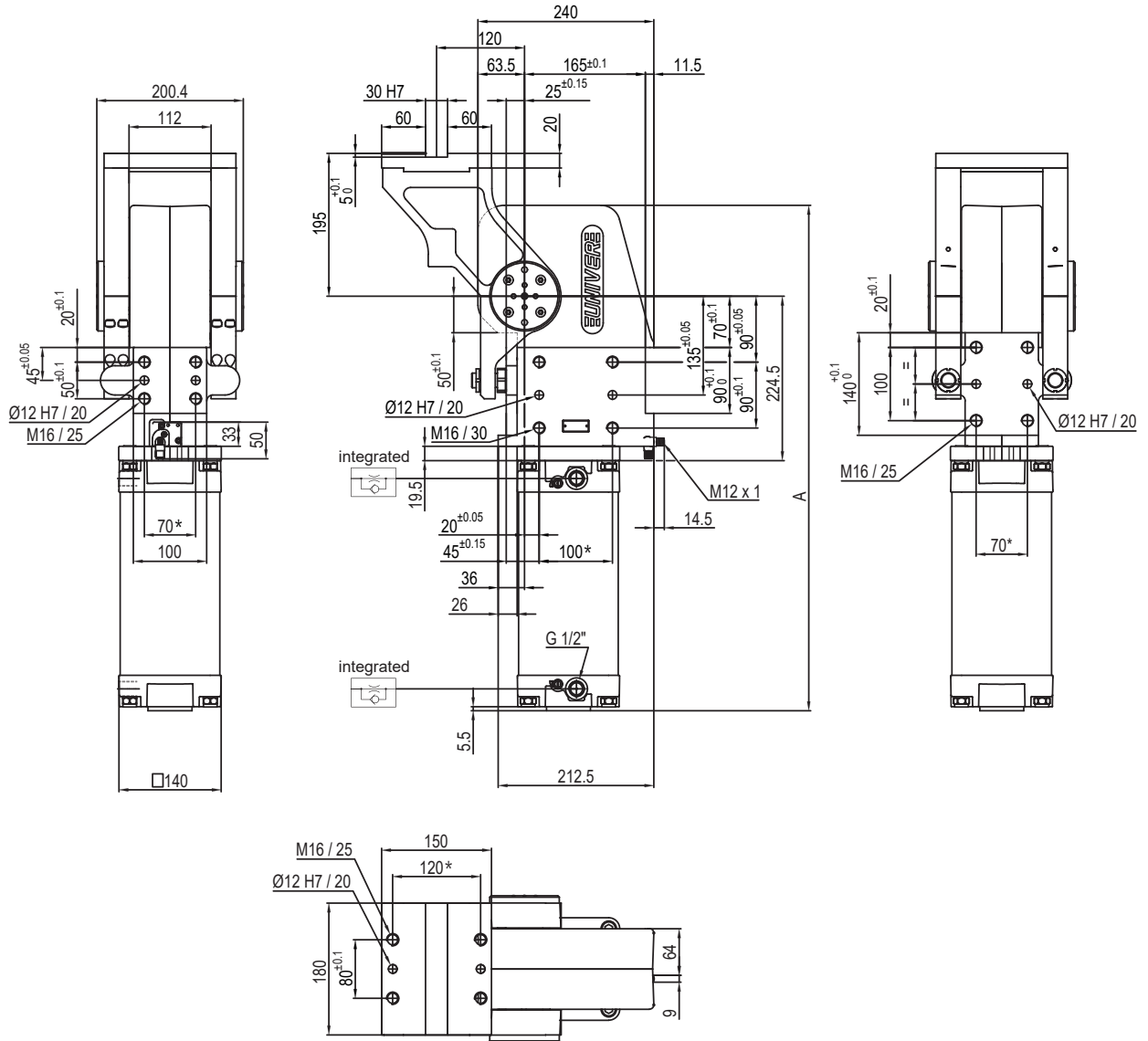
8 CONNECTIONS
S = Left side (Standard)
D = Right side
F = Front side
P = Rear side



9 PRODUCT REVISION
Assigned by UNIVER

10 ATEX
X = ATEX option
See ATEX Catalogue for types and versions

Horizontal 90°



Pivot rotation (°)	A
45°	597
60°	613
90°	649.5
120°	690

*TOLERANCE BETWEEN DOWELS ± 0,02 BETWEEN SCREW HOLES ± 0,1

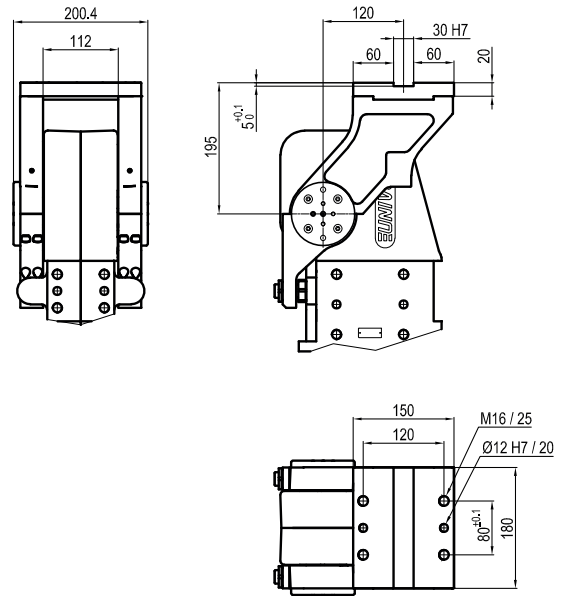
Sensors



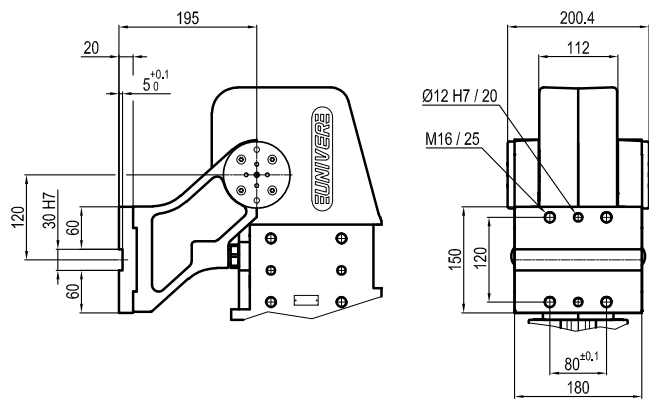
Electronic (optical)

- DF-K PNP M12
- DF-J NPN M12
- DF-Y PNP M12 White LED

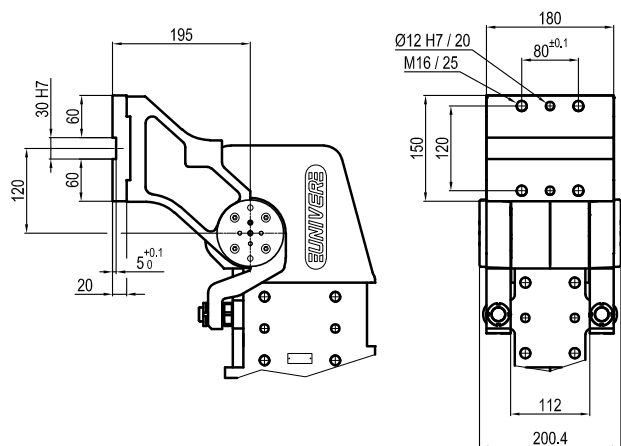
P Horizontal
Mirror of "O" position



V Vertical 180°



Z Vertical
Mirror of "V" position

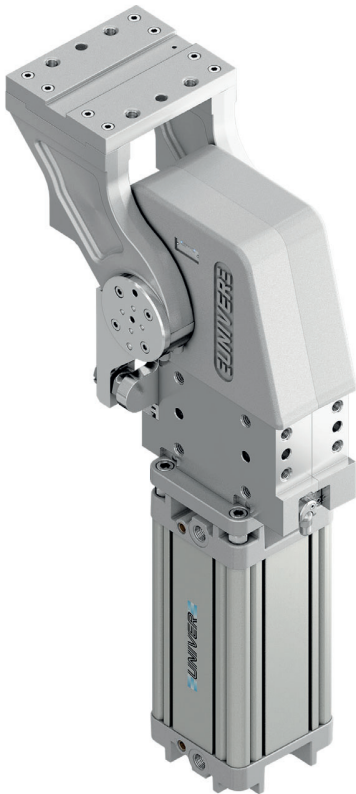


UAGP 215

Pneumatic power pivot 210 Nm without brake

Pneumatic power pivot without brake typically used to rotate and dump fixtures and parts in a desired position.

- High repeatability
- Mechanical stops
- Integrated flow control system
- Double pneumatic cushioning
- Fixing ports on 4 sides
- Tapered roller bearings to support heavy load
- Orientable table in 4 pre-set positions
- Version with brake available



5

CHARACTERISTICS

Operating temperature	5° ÷ 45° C
Min./Max. Operating pressure	0,4 / 0,6 MPa
Bore Ø	125 mm
Pivot rotation	45°/60°/90°/120°
Holding moment	8000 Nm
Max. torque at rotary table (0,55MPa)	210 Nm
Weight	43 Kg
Pneumatic supply ports	G1/2
Sensor	electronic (optical)
Supply voltage	10 ÷ 30 Vdc
IP code	IP 65

CODIFICATION KEY

UAG	P	215	O	K	090	W	S	0	
1	2	3	4	5	6	7	8	9	10



OPTICAL SENSOR

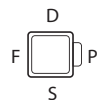


FLOW CONTROL SYSTEM

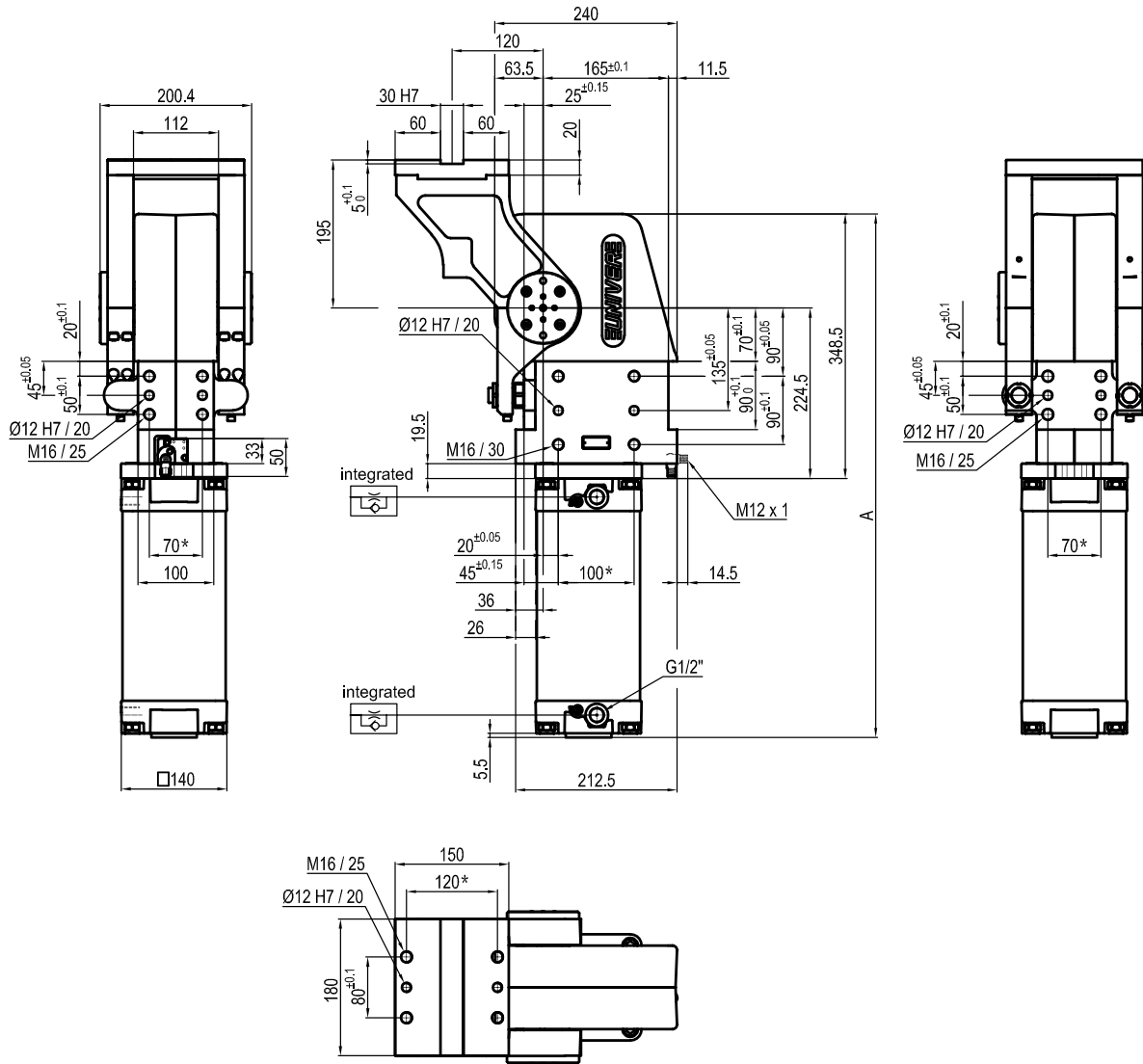


HIGH REPEATABILITY

1	SERIES UAG = UNICLAMP Power pivot	6	PIVOT ROTATION 120 = 120° 090 = 90° 060 = 60° 045 = 45°
2	VERSION P = Pneumatic	7	BRAKE SYSTEM W = Without brake
3	SIZE 215 = 210 Nm Ø 125 mm	8	CONNECTIONS S = Left side (Standard) D = Right side F = Front side P = Rear side
4	TABLE POSITION O = Horizontal 90° P = Horizontal mirror of "O" V = Vertical 180° Z = Vertical mirror of "V" *Max opening angle 60°	9	PRODUCT REVISION Assigned by UNIVER
5	SENSOR N = No sensor (with protection plate) K = Electronic sensor PNP, M12 (DF-K) Y = Electronic sensor PNP, M12 (DF-Y) white LED J = Electronic sensor NPN, M12 (DF-J)	10	ATEX X = ATEX option See ATEX Catalogue for types and versions

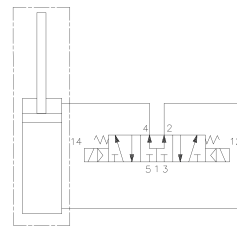


Horizontal 90°



5

*TOLERANCE BETWEEN DOWELS $\pm 0,02$ BETWEEN SCREW HOLES $\pm 0,1$



Pivot rotation (°)	A
45°	597
60°	613
90°	649.5
120°	690

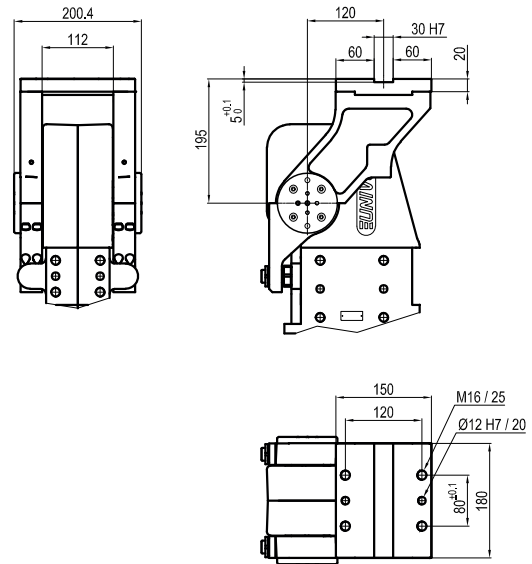
Sensors



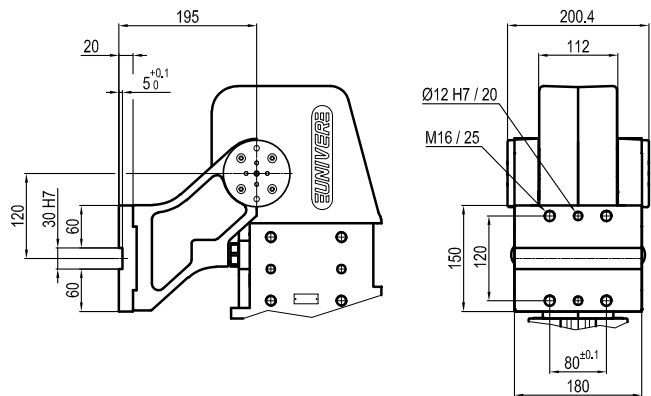
Electronic (optical)

- DF-K PNP M12
- DF-J NPN M12
- DF-Y PNP M12 White LED

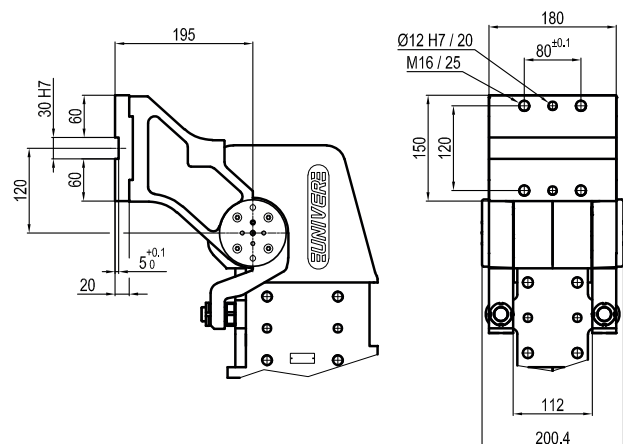
P Horizontal
Mirror of "O" position



5 **V** Vertical 180°



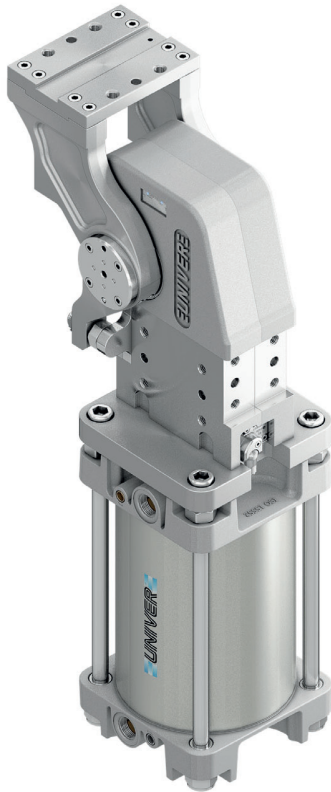
Z Vertical
Mirror of "V" position



UAGP 300

Pneumatic power pivot 300 Nm without brake

Pneumatic power pivot without brake typically used to rotate and dump fixtures and parts in a desired position.



- High repeatability
- Mechanical stops
- Integrated flow control system
- Double pneumatic cushioning
- Fixing ports on 4 sides
- Tapered roller bearings to support heavy load
- Orientable table in 4 pre-set positions
- Version with brake available

CHARACTERISTICS

Operating temperature	5° ÷ 45° C
Min./Max. Operating pressure	0,4 / 0,6 MPa
Bore Ø	160 mm
Pivot rotation	45°/60°/90°/120°
Holding moment	6000 Nm
Max. torque at rotary table (0,55MPa)	300 Nm
Weight	33,3 Kg
Pneumatic supply ports	G3/4
Sensor	electronic (optical)
Supply voltage	10 ÷ 30 Vdc
IP code	IP 65

CODIFICATION KEY

UAG	P	300	O	K	090	W	S	0	
1	2	3	4	5	6	7	8	9	10



OPTICAL SENSOR



FLOW CONTROL SYSTEM



HIGH REPEATABILITY

1 SERIES
UAG = UNICLAMP Power pivot

2 VERSION
P = Pneumatic

3 SIZE
300 = 300 Nm Ø 160 mm

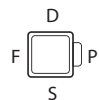
4 TABLE POSITION
O = Horizontal 90°
P = Horizontal mirror of "O"
V = Vertical 180°
Z = Vertical mirror of "V"
*Max opening angle 60°

5 SENSOR
N = No sensor (with protection plate)
K = Electronic sensor PNP, M12 (DF-K)
Y = Electronic sensor PNP, M12 (DF-Y) white LED
J = Electronic sensor NPN, M12 (DF-J)

6 PIVOT ROTATION
120 = 120°
090 = 90°
060 = 60°
045 = 45°

7 BRAKE SYSTEM
W = Without brake

8 CONNECTIONS
S = Left side (Standard)
D = Right side
F = Front side
P = Rear side

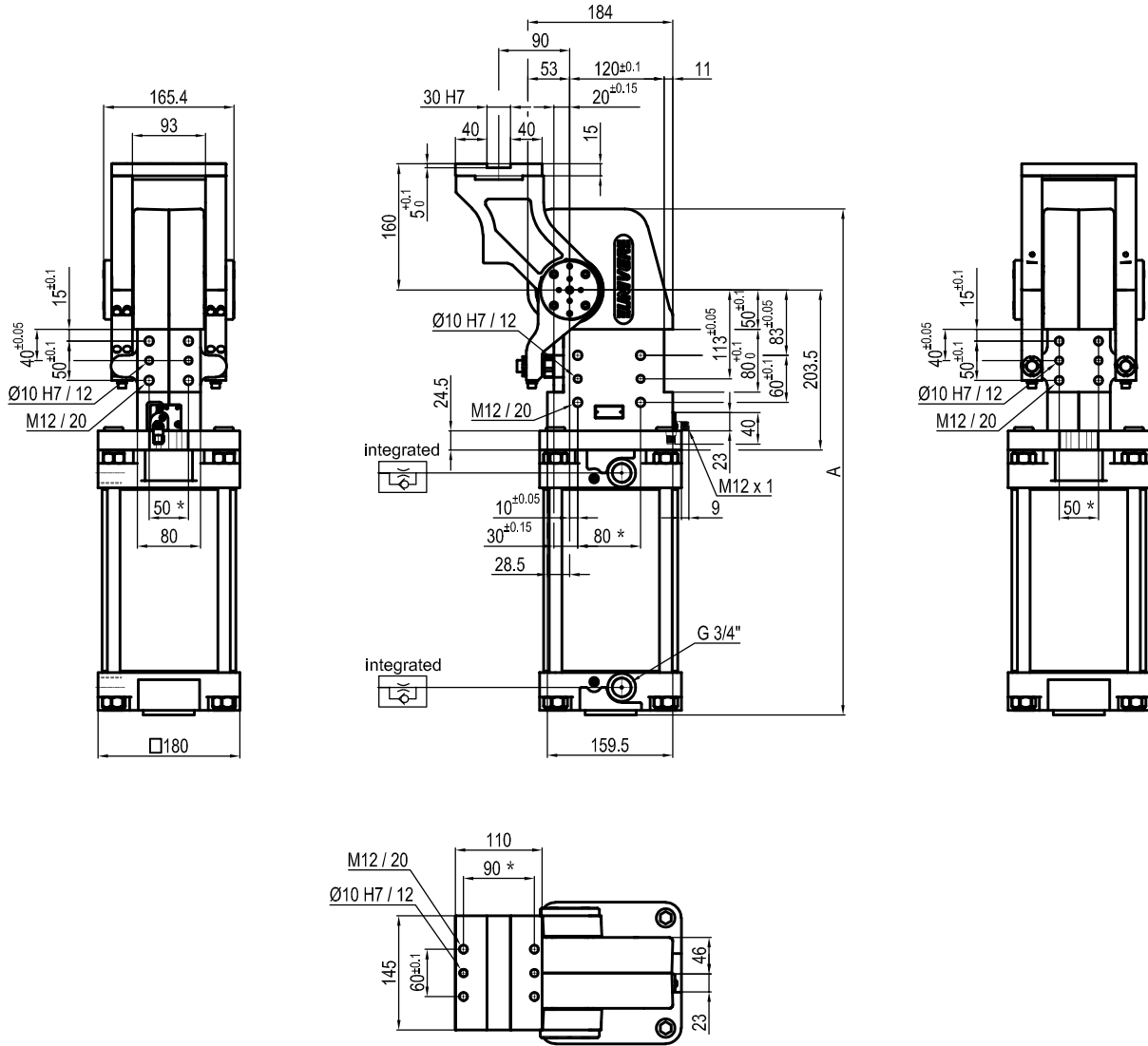


9 PRODUCT REVISION
Assigned by UNIVER

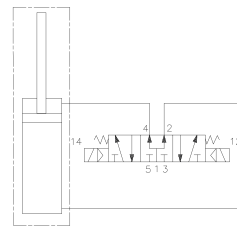
10 ATEX
X = ATEX option
See ATEX Catalogue for types and versions

Horizontal 90°

5



*TOLERANCE BETWEEN DOWELS ± 0,02 BETWEEN SCREW HOLES ± 0,1



Pivot rotation (°)	A
45°	564
60°	578
90°	609
120°	643

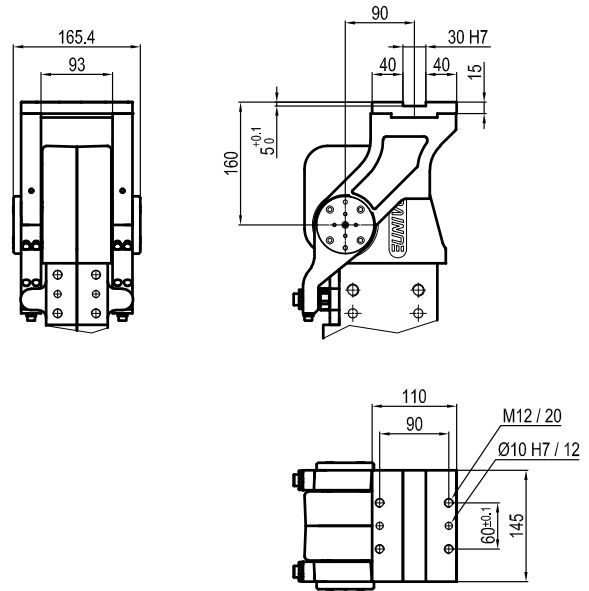
Sensors



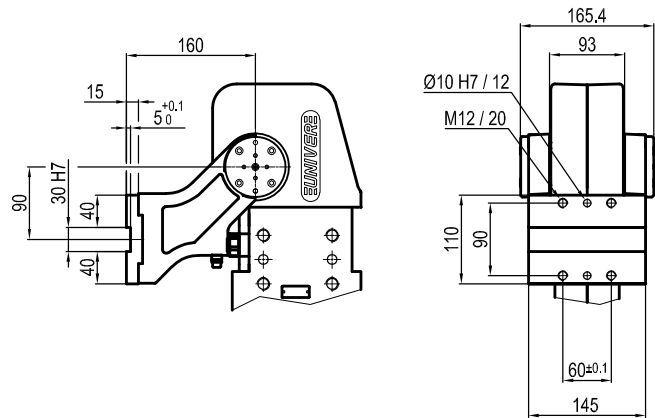
Electronic (optical)

- DF-K PNP M12
- DF-J NPN M12
- DF-Y PNP M12 White LED

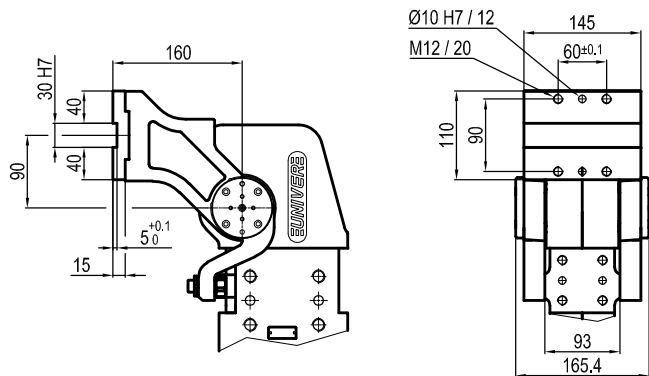
P Horizontal
Mirror of "O" position



V Vertical 180°



Z Vertical
Mirror of "V" position

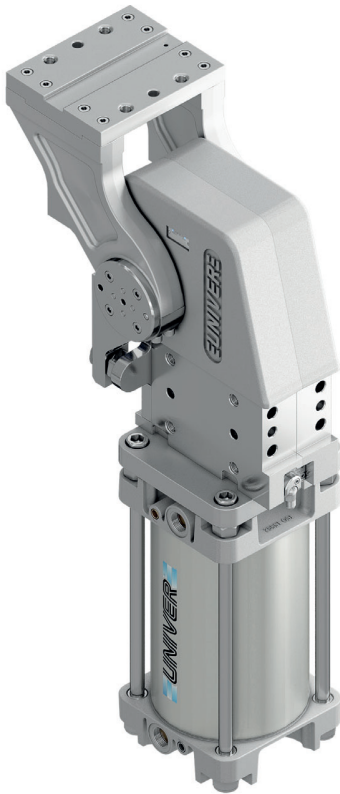


UAGP 350

Pneumatic power pivot 350 Nm without brake

Pneumatic power pivot without brake typically used to rotate and dump fixtures and parts in a desired position.

- High repeatability
- Mechanical stops
- Integrated flow control system
- Double pneumatic cushioning
- Fixing ports on 4 sides
- Tapered roller bearings to support heavy load
- Orientable table in 4 pre-set positions
- Version with brake available



CHARACTERISTICS

Operating temperature	5° ÷ 45° C
Min./Max. Operating pressure	0,4 / 0,6 MPa
Bore Ø	160 mm
Pivot rotation	45°/60°/90°/120°
Holding moment	8000 Nm
Max. torque at rotary table (0,55MPa)	350 Nm
Weight	50 Kg
Pneumatic supply ports	G3/4
Sensor	electronic (optical)
Supply voltage	10 ÷ 30 Vdc
IP code	IP 65

CODIFICATION KEY

UAG	P	350	O	K	090	W	S	0	
1	2	3	4	5	6	7	8	9	10



OPTICAL SENSOR



FLOW CONTROL SYSTEM



HIGH REPEATABILITY

1 SERIES
UAG = UNICLAMP Power pivot

2 VERSION
P = Pneumatic

3 SIZE
350 = 350 Nm Ø 160 mm

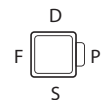
4 TABLE POSITION
O = Horizontal 90°
P = Horizontal mirror of "O"*
V = Vertical 180°
Z = Vertical mirror of "V"
*Max opening angle 60°

5 SENSOR
N = No sensor (with protection plate)
K = Electronic sensor PNP, M12 (DF-K)
Y = Electronic sensor PNP, M12 (DF-Y) white LED
J = Electronic sensor NPN, M12 (DF-J)

6 PIVOT ROTATION
120 = 120°
090 = 90°
060 = 60°
045 = 45°

7 BRAKE SYSTEM
W = Without brake

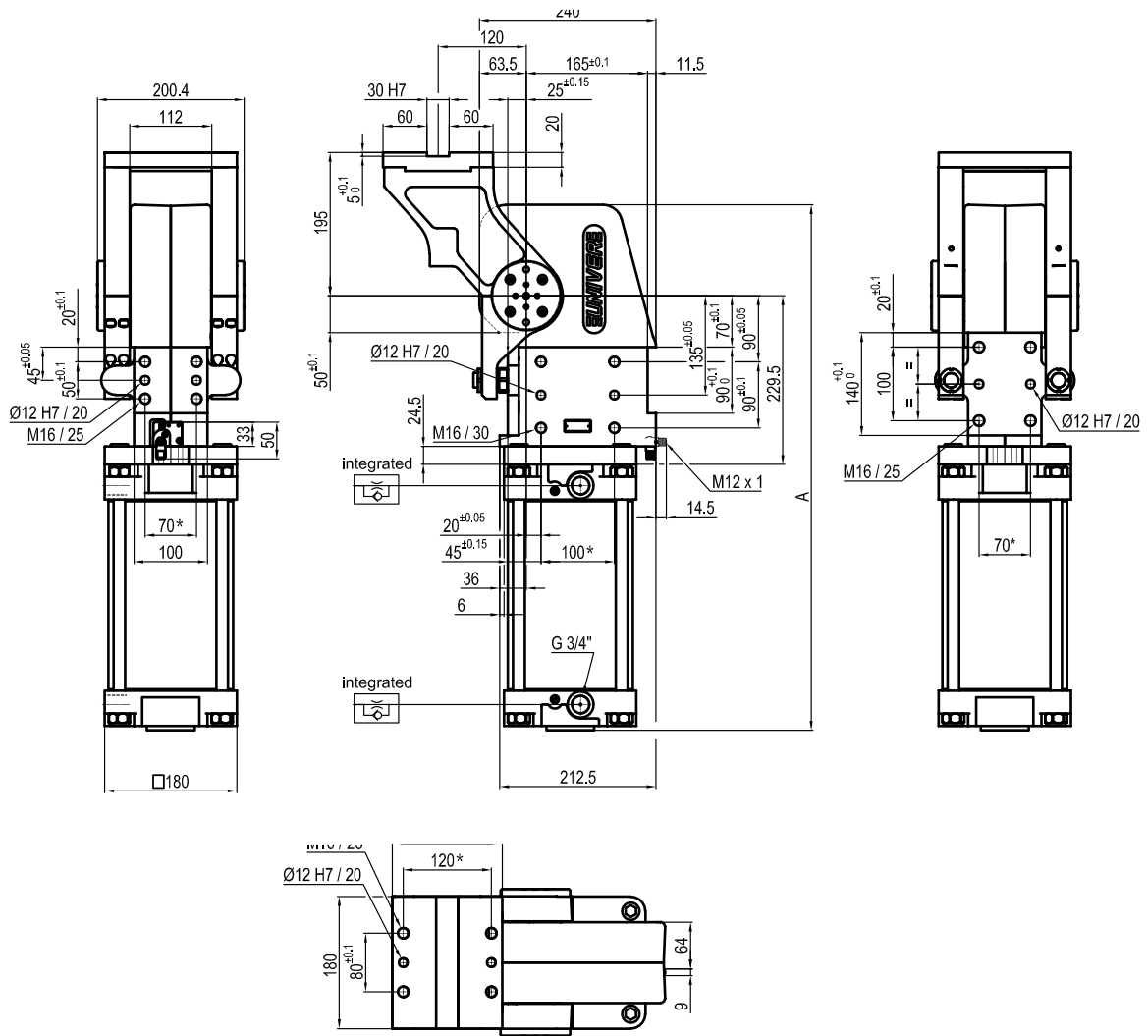
8 CONNECTIONS
S = Left side (Standard)
D = Right side
F = Front side
P = Rear side



9 PRODUCT REVISION
Assigned by UNIVER

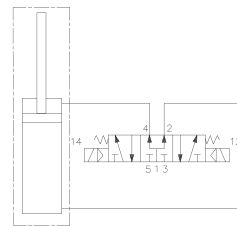
10 ATEX
X = ATEX option
See ATEX Catalogue for types and versions

Horizontal 90°



5

*TOLERANCE BETWEEN DOWELS ± 0,02 BETWEEN SCREW HOLES ± 0,1



Pivot rotation (°)	A
45°	622.5
60°	638.5
90°	675.5
120°	715.5

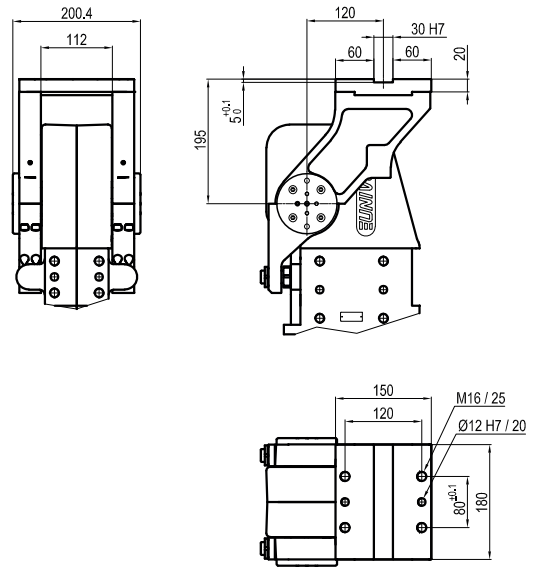
Sensors



Electronic (optical)

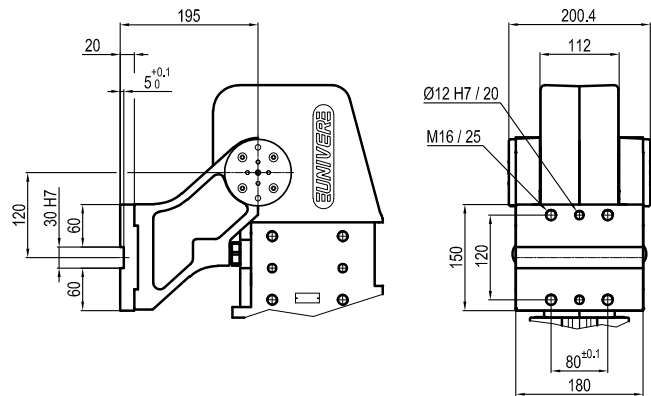
- DF-K PNP M12
- DF-J NPN M12
- DF-Y PNP M12 White LED

P Horizontal
Mirror of "O" position

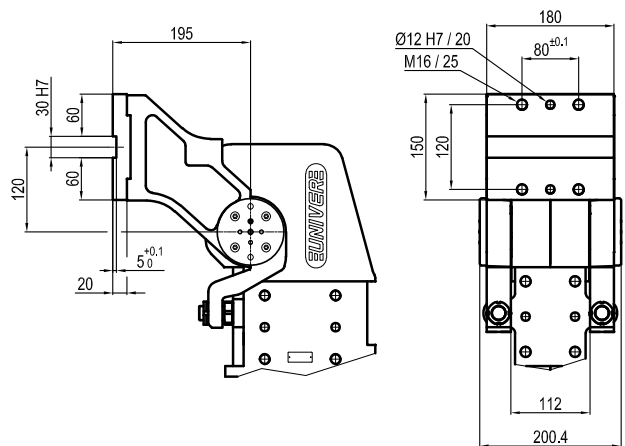


5

V Vertical 180°



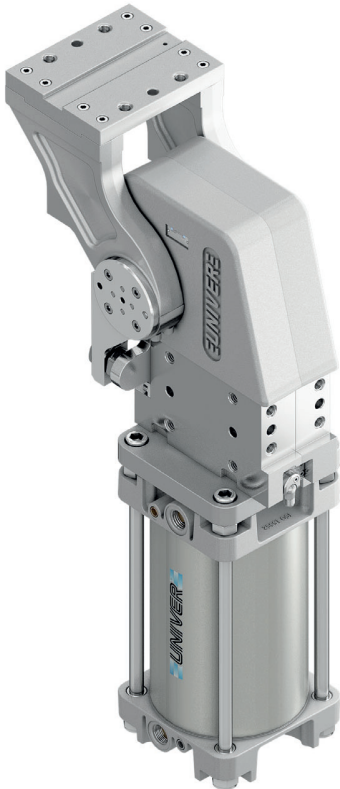
Z Vertical
Mirror of "V" position



UAGP 355

Pneumatic power pivot 350 Nm without brake

Pneumatic power pivot without brake typically used to rotate and dump fixtures and parts in a desired position.



- High repeatability
- Mechanical stops
- Integrated flow control system
- Double pneumatic cushioning
- Fixing ports on 4 sides
- Tapered roller bearings to support heavy load
- Orientable table in 4 pre-set positions
- Version with brake available

CHARACTERISTICS

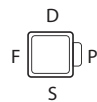
Operating temperature	5° ÷ 45° C
Min./Max. Operating pressure	0,4 / 0,6 MPa
Bore Ø	160 mm
Pivot rotation	45°/60°/90°/120°
Holding moment	8000 Nm
Max. torque at rotary table (0,55MPa)	350 Nm
Weight	50 Kg
Pneumatic supply ports	G3/4
Sensor	electronic (optical)
Supply voltage	10 ÷ 30 Vdc
IP code	IP 65

CODIFICATION KEY

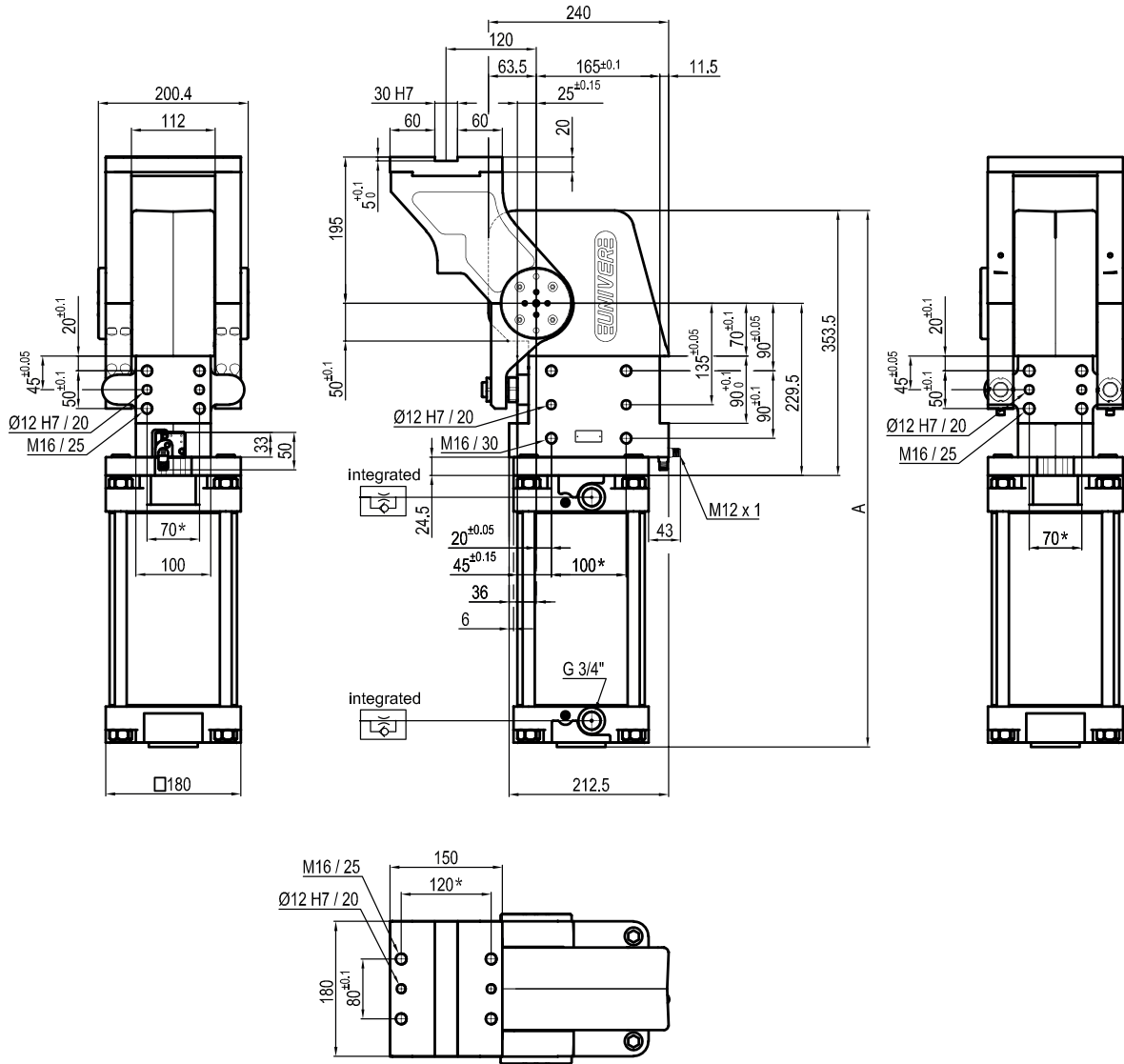
UAG	P	355	O	K	090	W	S	0	
1	2	3	4	5	6	7	8	9	10

- OPTICAL SENSOR
- FLOW CONTROL SYSTEM
- HIGH REPEATABILITY

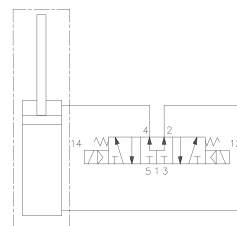
1	SERIES UAG = UNICLAMP Power pivot	6	PIVOT ROTATION 120 = 120° 090 = 90° 060 = 60° 045 = 45°
2	VERSION P = Pneumatic	7	BRAKE SYSTEM W = Without brake
3	SIZE 355 = 350 Nm Ø 160 mm	8	CONNECTIONS S = Left side (Standard) D = Right side F = Front side P = Rear side
4	TABLE POSITION O = Horizontal 90° P = Horizontal mirror of "O" V = Vertical 180° Z = Vertical mirror of "V" *Max opening angle 60°	9	PRODUCT REVISION Assigned by UNIVER
5	SENSOR N = No sensor (with protection plate) K = Electronic sensor PNP, M12 (DF-K) Y = Electronic sensor PNP, M12 (DF-Y) white LED J = Electronic sensor NPN, M12 (DF-J)	10	ATEX X = ATEX option See ATEX Catalogue for types and versions



Horizontal 90°



5



Pivot rotation (°)	A
45°	622.5
60°	638.5
90°	675.5
120°	715.5

*TOLERANCE BETWEEN DOWELS $\pm 0,02$ BETWEEN SCREW HOLES $\pm 0,1$

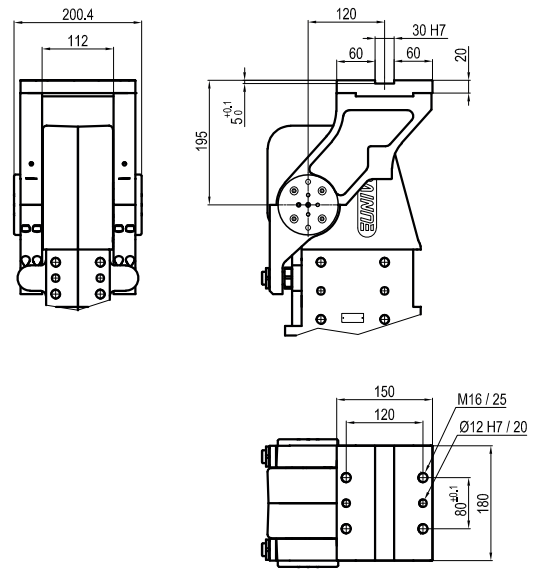
Sensors



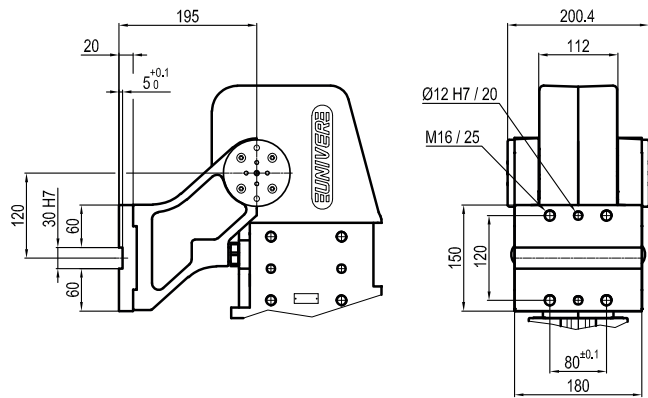
Electronic (optical)

- DF-K PNP M12
- DF-J NPN M12
- DF-Y PNP M12 White LED

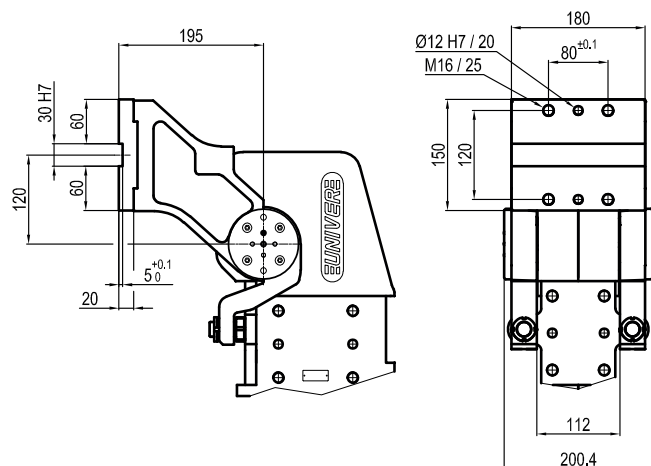
P Horizontal
Mirror of "O" position



V Vertical 180°



Z Vertical
Mirror of "V" position



UAGP 600

Pneumatic power pivot 600 Nm without brake

Pneumatic power pivot without brake typically used to rotate and dump fixtures and parts in a desired position.

- High repeatability
- Mechanical stops
- Integrated flow control system
- Double pneumatic cushioning
- Fixing ports on 4 sides
- Tapered roller bearings to support heavy load
- Orientable table in 4 pre-set positions
- Version with brake available



CHARACTERISTICS

Operating temperature	5° ÷ 45° C
Min./Max. Operating pressure	0,4 / 0,6 MPa
Bore Ø	200 mm
Pivot rotation	45°/60°/90°/120°
Holding moment	8000 Nm
Max. torque at rotary table (0,55MPa)	600 Nm
Weight	53,8 Kg
Pneumatic supply ports	G3/4
Sensor	electronic (optical)
Supply voltage	10 ÷ 30 Vdc
IP code	IP 65

CODIFICATION KEY

UAG	P	600	O	K	090	W	S	0	
1	2	3	4	5	6	7	8	9	10



OPTICAL SENSOR



FLOW CONTROL SYSTEM



HIGH REPEATABILITY

1

SERIES
UAG = UNICLAMP Power pivot

2

VERSION
P = Pneumatic

3

SIZE
600 = 600 Nm Ø 200 mm

4

TABLE POSITION
O = Horizontal 90°
P = Horizontal mirror of "O"
V = Vertical 180°
Z = Vertical mirror of "V"
*Max opening angle 60°

5

SENSOR
N = No sensor (with protection plate)
K = Electronic sensor PNP, M12 (DF-K)
Y = Electronic sensor PNP, M12 (DF-Y) white LED
J = Electronic sensor NPN, M12 (DF-J)

6

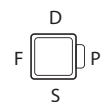
PIVOT ROTATION
120 = 120°
090 = 90°
060 = 60°
045 = 45°

7

BRAKE SYSTEM
W = Without brake

8

CONNECTIONS
S = Left side (Standard)
D = Right side
F = Front side
P = Rear side



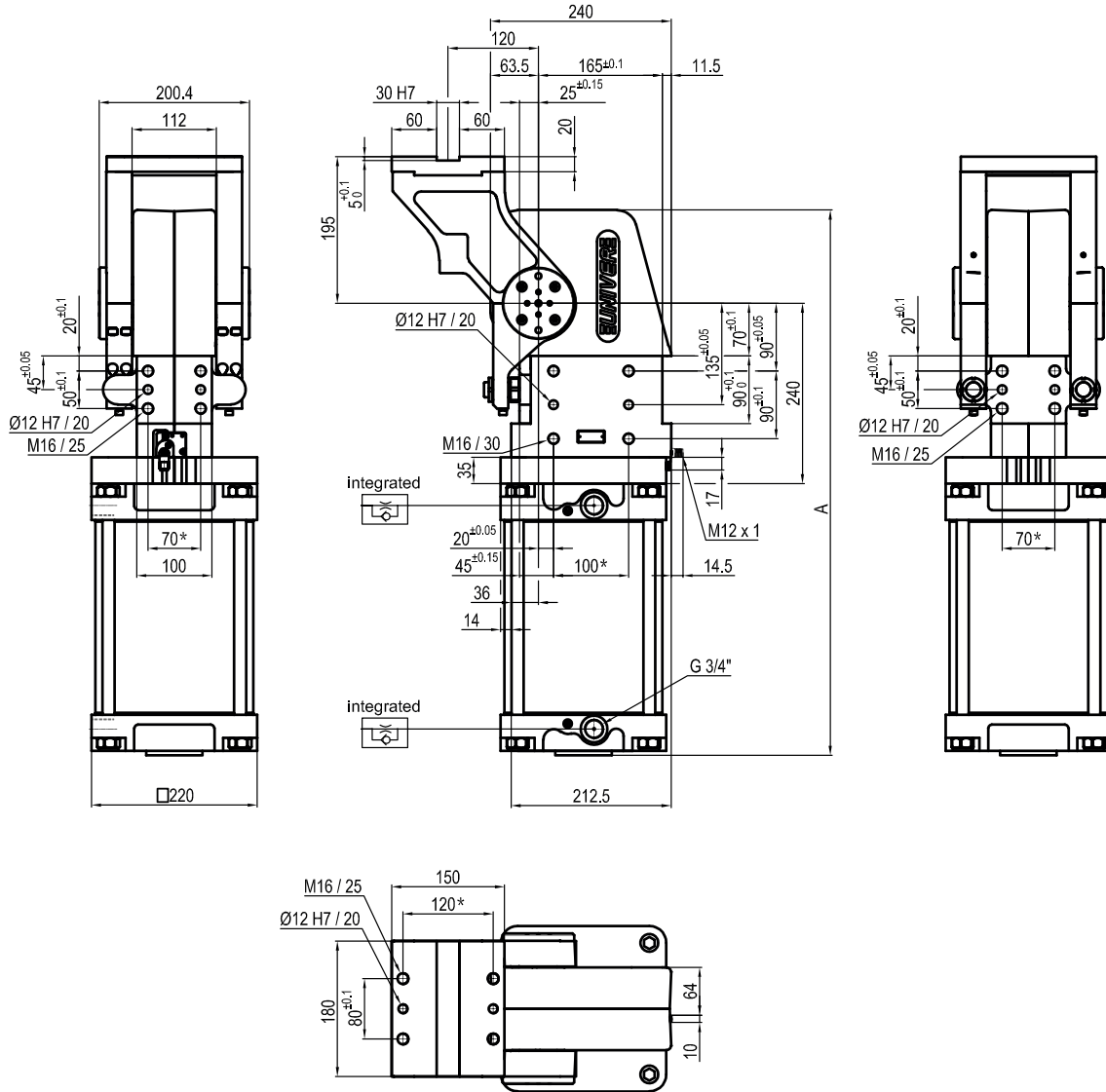
9

PRODUCT REVISION
Assigned by UNIVER

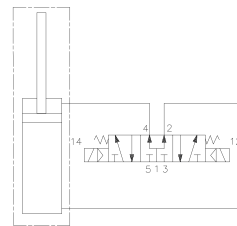
10

ATEX
X = ATEX option
See ATEX Catalogue for types and versions

Horizontal 90°



*TOLERANCE BETWEEN DOWELS ± 0,02 BETWEEN SCREW HOLES ± 0,1



Pivot rotation (°)	A
45°	633
60°	649
90°	686
120°	725

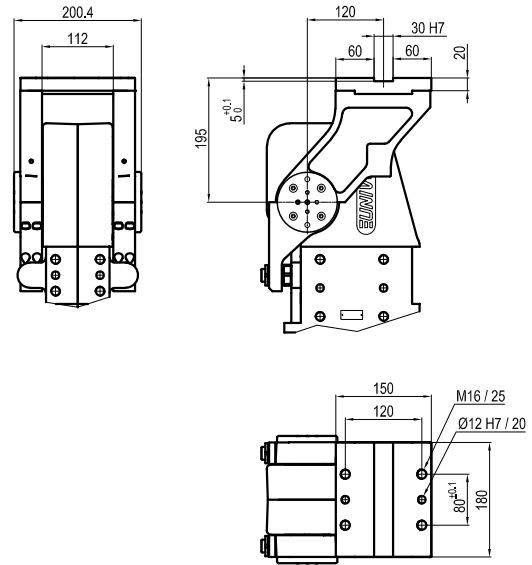
Sensors



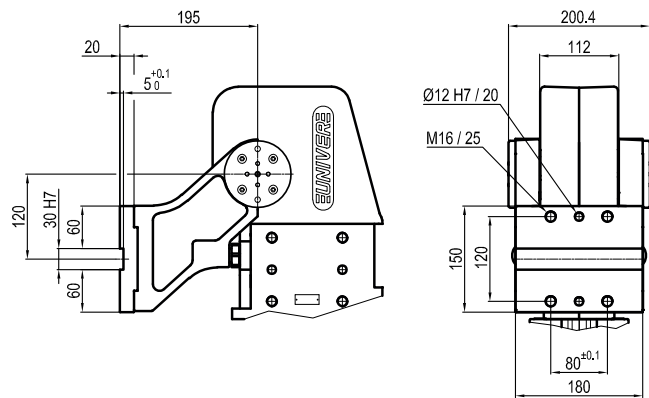
Electronic (optical)

- DF-K PNP M12
- DF-J NPN M12
- DF-Y PNP M12 White LED

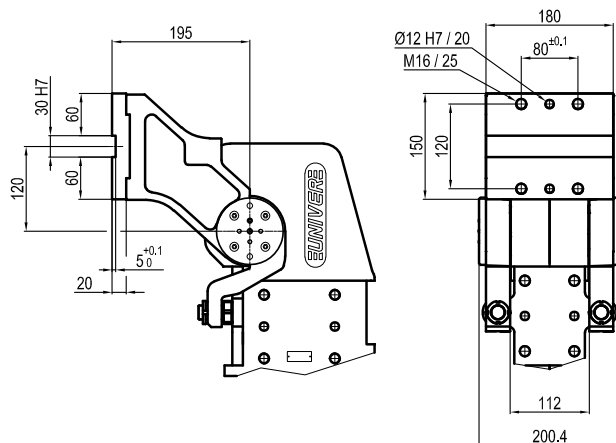
P Horizontal
Mirror of "O" position



5 **V** Vertical 180°



Z Vertical
Mirror of "V" position



UAGP 605

Pneumatic power pivot 600 Nm without brake

Pneumatic power pivot without brake typically used to rotate and dump fixtures and parts in a desired position.

- High repeatability
- Mechanical stops
- Integrated flow control system
- Double pneumatic cushioning
- Fixing ports on 4 sides
- Tapered roller bearings to support heavy load
- Orientable table in 4 pre-set positions
- Version with brake available



CHARACTERISTICS

Operating temperature	5° ÷ 45° C
Min./Max. Operating pressure	0,4 / 0,6 MPa
Bore Ø	200 mm
Pivot rotation	45°/60°/90°/120°
Holding moment	8000 Nm
Max. torque at rotary table (0,55MPa)	600 Nm
Weight	54 Kg
Pneumatic supply ports	G3/4
Sensor	electronic (optical)
Supply voltage	10 ÷ 30 Vdc
IP code	IP 65

CODIFICATION KEY

UAG	P	605	O	K	090	W	S	0	
1	2	3	4	5	6	7	8	9	10



OPTICAL SENSOR



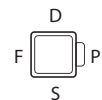
FLOW CONTROL SYSTEM



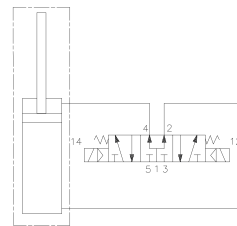
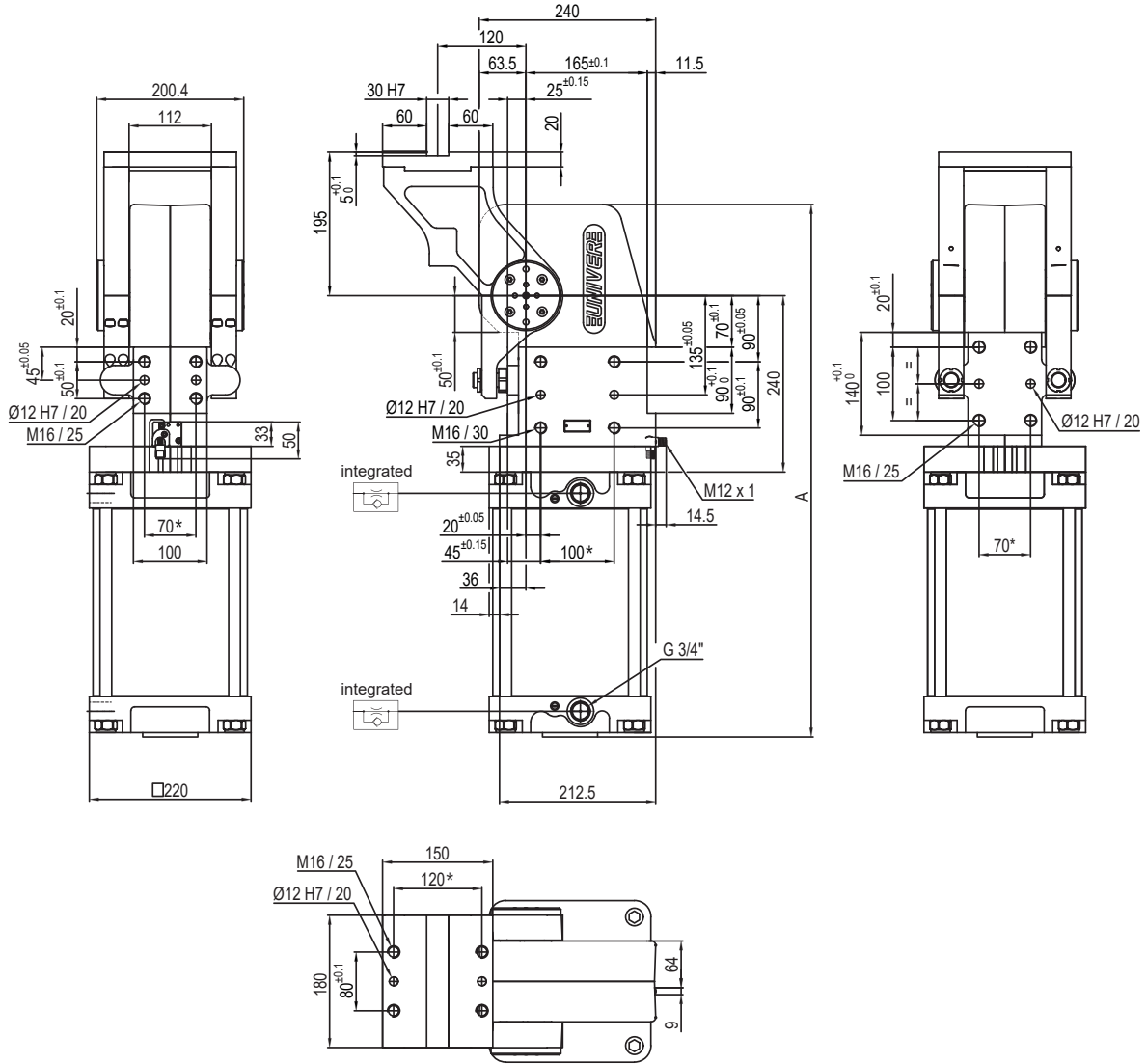
HIGH REPEATABILITY

1	SERIES UAG = UNICLAMP Power pivot
2	VERSION P = Pneumatic
3	SIZE 605 = 600 Nm Ø 200 mm
4	TABLE POSITION O = Horizontal 90° P = Horizontal mirror of "O" V = Vertical 180° Z = Vertical mirror of "V" *Max opening angle 60°
5	SENSOR N = No sensor (with protection plate) K = Electronic sensor PNP, M12 (DF-K) Y = Electronic sensor PNP, M12 (DF-Y) white LED J = Electronic sensor NPN, M12 (DF-J)

6	PIVOT ROTATION 120 = 120° 090 = 90° 060 = 60° 045 = 45°
7	BRAKE SYSTEM W = Without brake
8	CONNECTIONS S = Left side (Standard) D = Right side F = Front side P = Rear side
9	PRODUCT REVISION Assigned by UNIVER
10	ATEX X = ATEX option See ATEX Catalogue for types and versions



Horizontal 90°



Pivot rotation (°)	A
45°	633
60°	649
90°	686
120°	725

*TOLERANCE BETWEEN DOWELS ± 0,02 BETWEEN SCREW HOLES ± 0,1

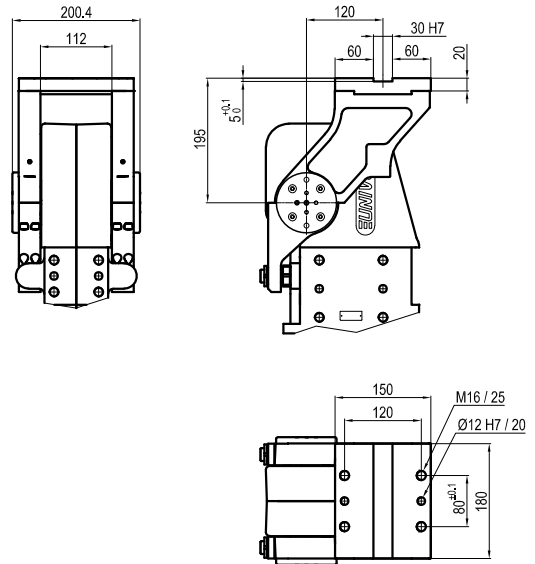
Sensors



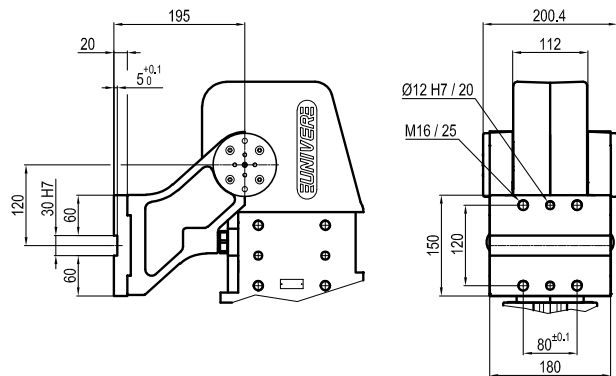
Electronic (optical)

- DF-K PNP M12
- DF-J NPN M12
- DF-Y PNP M12 White LED

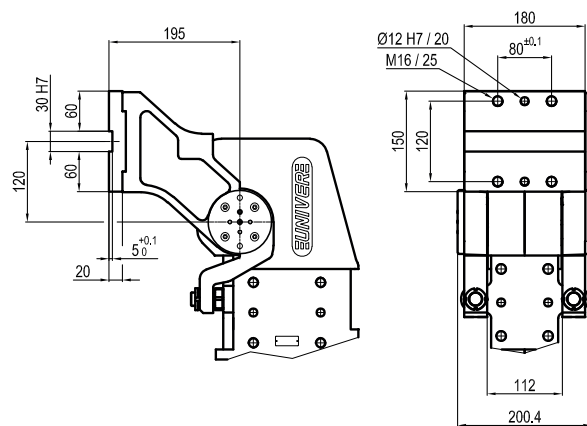
P Horizontal
Mirror of "O" position



V Vertical 180°



Z Vertical
Mirror of "V" position



UAGP 063

Pneumatic power pivot 16 Nm with brake

Pneumatic power pivot with brake typically used to rotate and dump fixtures and parts in a desired position.

- High repeatability
- Mechanical stops
- Double pneumatic cushioning
- Fixing ports on 4 sides
- Roller bearings to support heavy load
- Orientable table in 4 pre-set positions



5

CHARACTERISTICS

Operating temperature	5° ÷ 45° C
Min./Max. Operating pressure	0,4 / 0,6 MPa
Bore Ø	63 mm
Pivot rotation	45°/60°/ 90°/120°
Holding moment	1500 Nm
Max. torque at rotary table (0,55MPa)	16 Nm
Weight	5,5 kg
Pneumatic supply ports	G1/4
Body sensor	electronic (optical)
Brake sensor	electronic
Supply voltage	10 ÷ 30 Vdc
IP code	IP 65

CODIFICATION KEY

UAG | P | 063 | O | K | 090 | B | 0



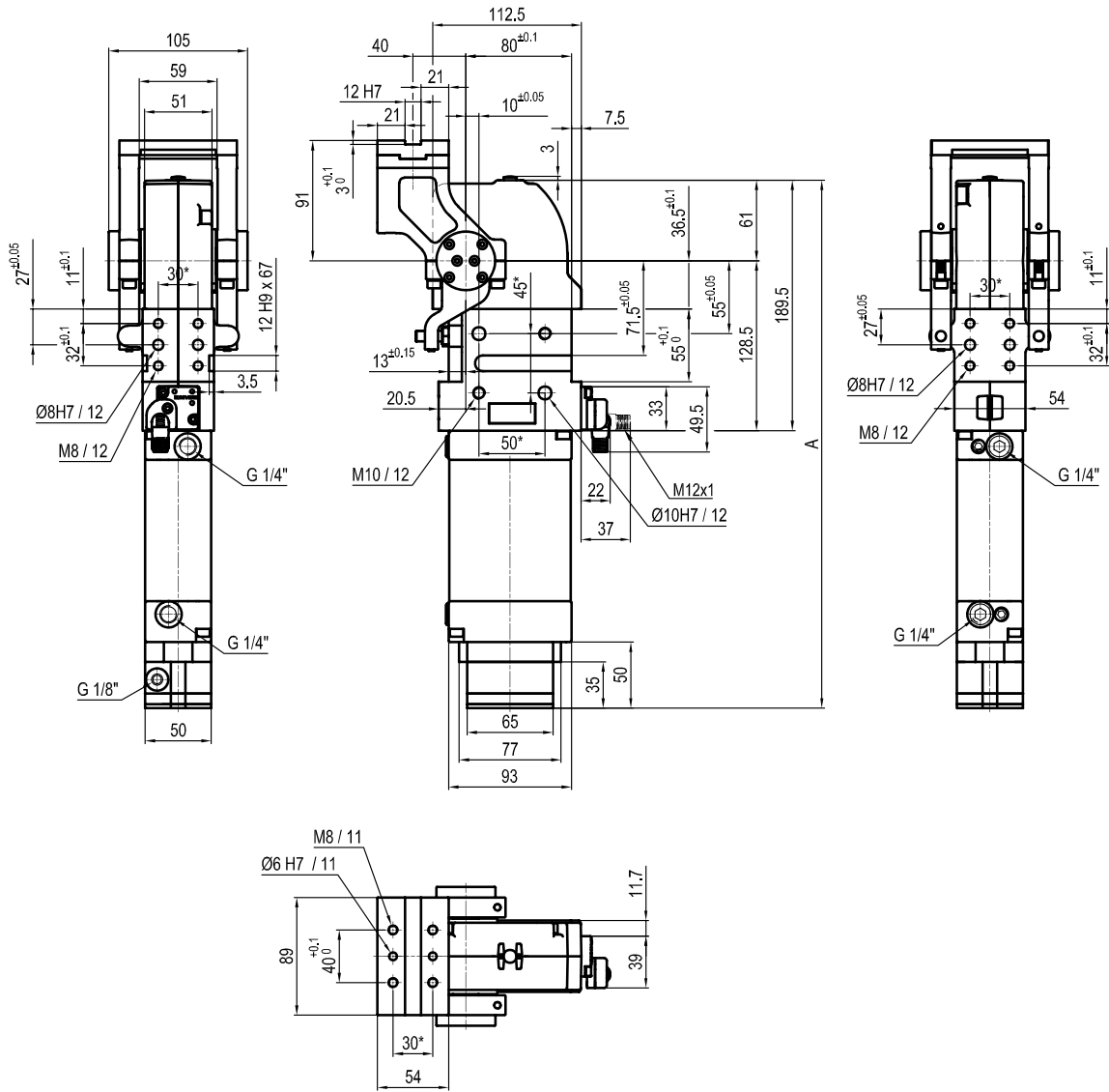
OPTICAL SENSOR



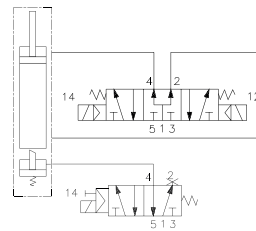
HIGH REPEATABILITY

1	SERIES UAG = UNICLAMP Power pivot	6	PIVOT ROTATION 120 = 120° 090 = 90° 060 = 60° 045 = 45°
2	VERSION P = Pneumatic	7	BRAKE SYSTEM B = With brake
3	SIZE 063 = 16 Nm Ø 63 mm	8	PRODUCT REVISION Assigned by UNIVER
4	TABLE POSITION O = Horizontal 90° * P = Horizontal mirror of "O" ** V = Vertical 180° Z = Vertical mirror of "V" *Max opening angle 90° **Max opening angle 60°	9	ATEX X = ATEX option See ATEX Catalogue for types and versions
5	SENSOR N = No sensor (with protection plate) K = Electronic sensor PNP, M12 (DF-K) Y = Electronic sensor PNP, M12 (DF-Y) white LED J = Electronic sensor NPN, M12 (DF-J)		

Horizontal 90°



*TOLERANCE BETWEEN DOWELS ± 0,02 BETWEEN SCREW HOLES ± 0,1



Pivot rotation (°)	A
45°	357.5
60°	565.5
90°	383
120°*	399.5

* ONLY FOR TABLE POSITION "V" AND "Z"

Sensors

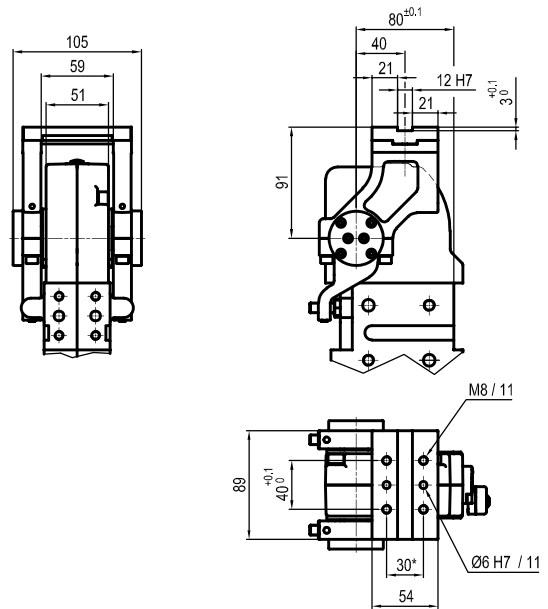
Body



Electronic (optical)

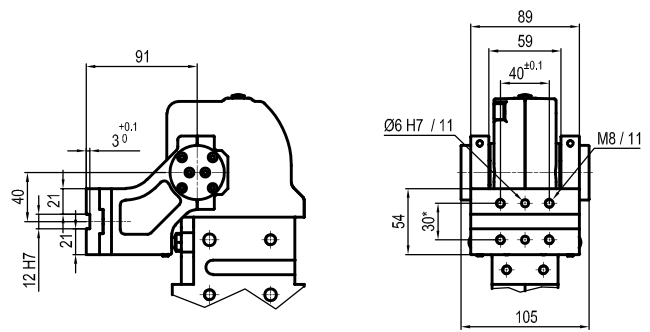
- DF-K PNP M12
- DF-J NPN M12
- DF-Y PNP M12 White LED

P Horizontal
Mirror of "O" position

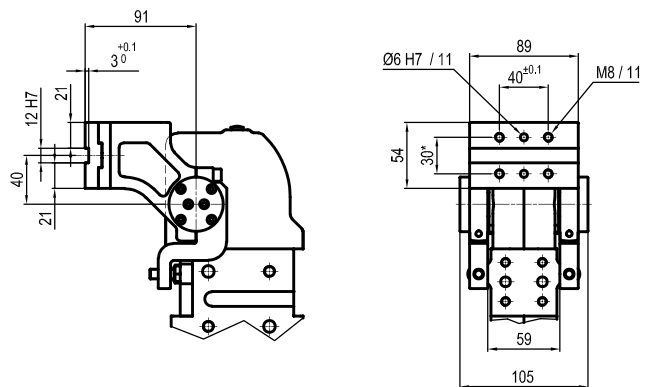


5

V Vertical 180°



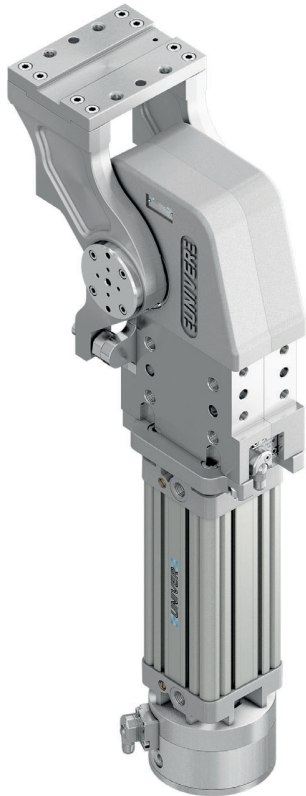
Z Vertical
Mirror of "V" position



UAGP 075

Pneumatic power pivot 75 Nm with brake

Pneumatic power pivot with brake typically used to rotate and dump fixtures and parts in a desired position.



- High repeatability
- Mechanical stops
- Integrated flow control system
- Double pneumatic cushioning
- Fixing ports on 4 sides
- Tapered roller bearings to support heavy load
- Orientable table in 4 pre-set positions
- Version with sensor on the brake available

CHARACTERISTICS

Operating temperature	5° ÷ 45° C
Min./Max. Operating pressure	0,4 / 0,6 MPa
Bore Ø	80 mm
Pivot rotation	45°/60°/90°/120°
Holding moment	6000 Nm
Max. torque at rotary table (0,55MPa)	75 Nm
Weight	24 kg
Pneumatic supply ports	G3/8
Body sensor	electronic (optical)
Brake sensor	electronic
Supply voltage	10 ÷ 30 Vdc
IP code	IP 65

CODIFICATION KEY

UAG	P	075	O	A	090	B	S	0	
1	2	3	4	5	6	7	8	9	10



OPTICAL SENSOR



FLOW CONTROL SYSTEM



HIGH REPEATABILITY

1

SERIES
UAG = UNICLAMP Power pivot

2

VERSION
P = Pneumatic

3

SIZE
075 = 75 Nm Ø 80 mm

4

TABLE POSITION
O = Horizontal 90°
P = Horizontal mirror of "O"
V = Vertical 180°
Z = Vertical mirror of "V"
*Max opening angle 60°

5

SENSOR
N = No sensor (with protection plate)
K = Electronic sensor PNP, M12 (DF-K)
Y = Electronic sensor PNP, M12 (DF-Y) white LED
J = Electronic sensor NPN, M12 (DF-J)
A = Electronic sensor PNP, optical for opening angle, M12 (DF-K) + brake sensor (DF-S)

6

PIVOT ROTATION
120 = 120°
090 = 90°
060 = 60°
045 = 45°

7

BRAKE SYSTEM
B = With brake

8

CONNECTIONS
S = Left side (Standard)
D = Right side
F = Front side
P = Rear side



9

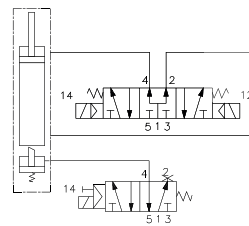
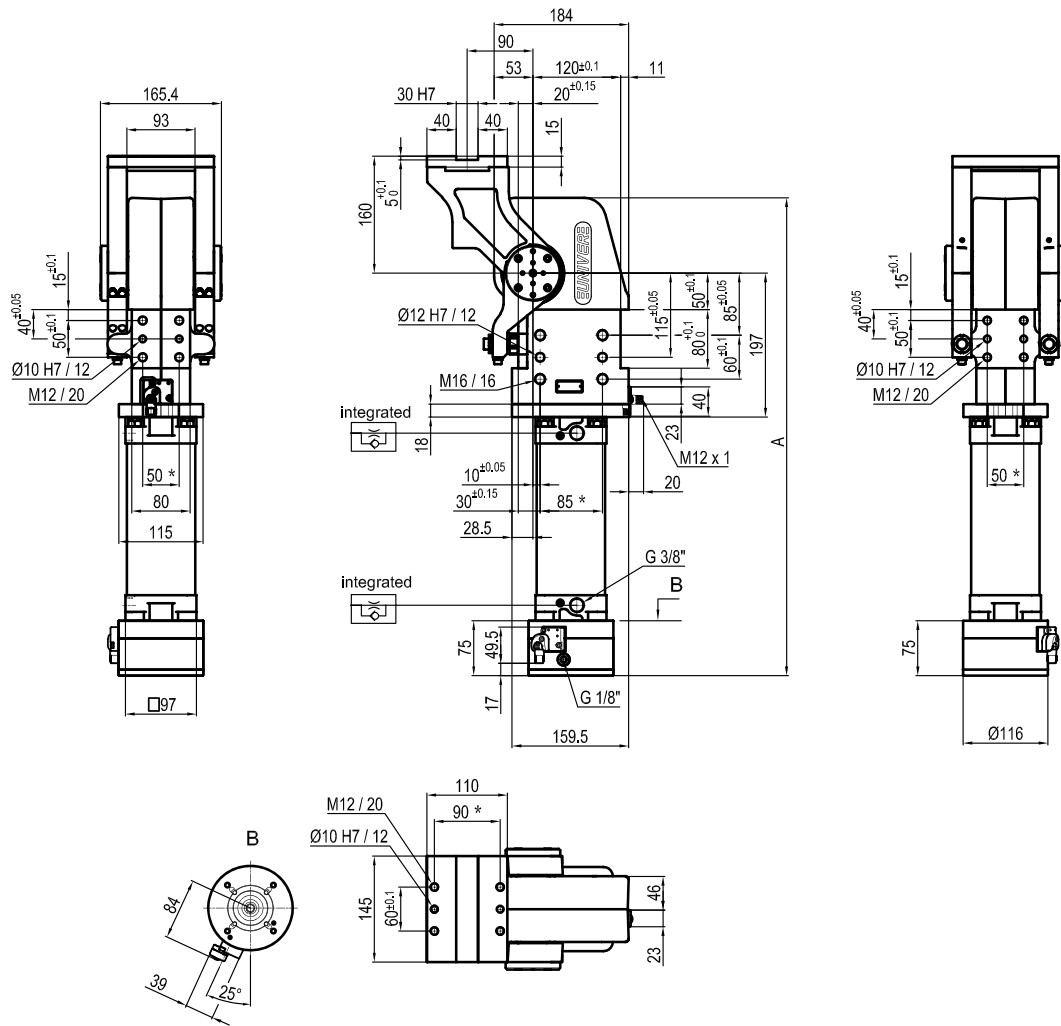
PRODUCT REVISION
Assigned by UNIVER

10

ATEX
X = ATEX option
See ATEX Catalogue for types and versions

Horizontal 90°

5



Pivot rotation (°)	A
45°	550
60°	561.5
90°	586.5
120°	611.5

*TOLERANCE BETWEEN DOWELS ± 0,02 BETWEEN SCREW HOLES ± 0,1

Sensors

Body



Electronic (optical)

- DF-K PNP M12
- DF-J NPN M12
- DF-Y PNP M12 White LED

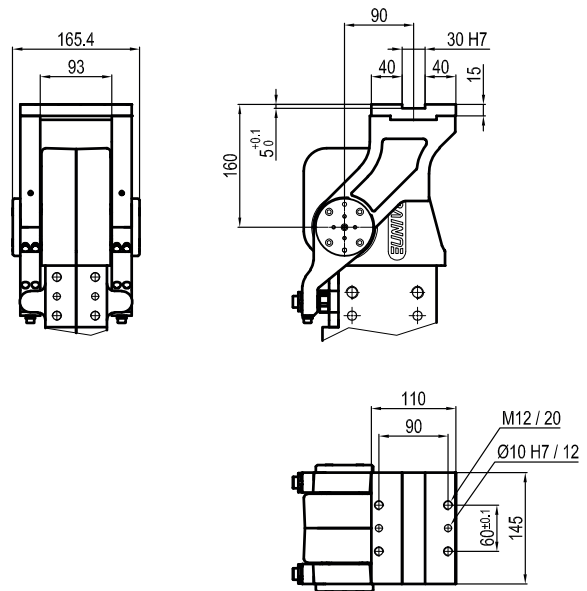
Brake



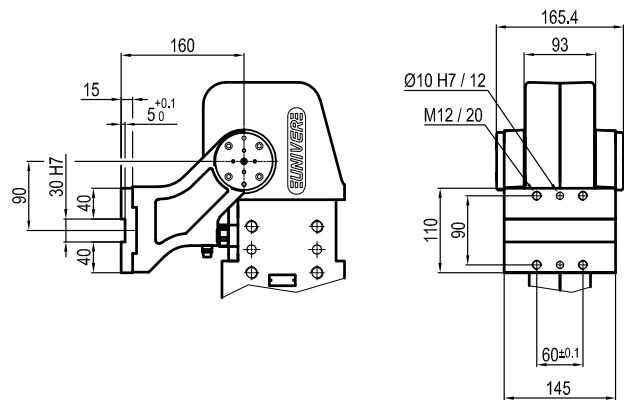
Electronic

- DF-S PNP M12

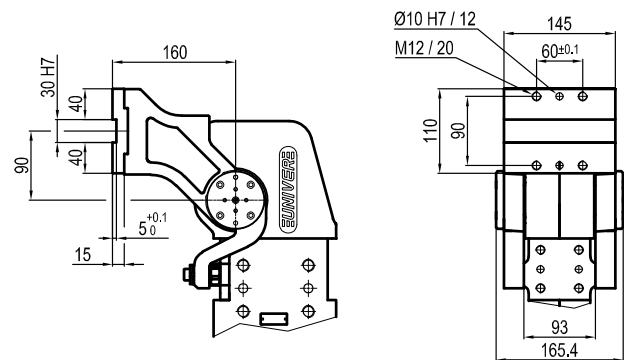
P Horizontal
Mirror of "O" position



V Vertical 180°



Z Vertical
Mirror of "V" position

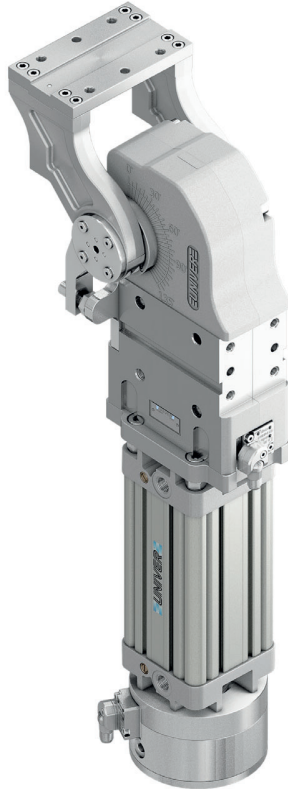


UAGP 080

Pneumatic power pivot 60 Nm with brake

Pneumatic power pivot with brake typically used to rotate and dump fixtures and parts in a desired position.

- High repeatability
- Mechanical stops
- Integrated flow control system
- Double pneumatic cushioning
- Fixing ports on 4 sides
- Tapered roller bearings to support heavy load
- Orientable table in 4 pre-set positions
- Version with sensor on the brake available



CHARACTERISTICS

Operating temperature	5° ÷ 45° C
Min./Max. Operating pressure	0,4 / 0,6 MPa
Bore Ø	80 mm
Pivot rotation	45°/60°/90°/120°
Holding moment	4000 Nm
Max. torque at rotary table (0,55MPa)	60 Nm
Weight	17 kg
Pneumatic supply ports	G3/8
Body sensor	electronic (optical)
Brake sensor	electronic
Supply voltage	10 ÷ 30 Vdc
IP code	IP 65

CODIFICATION KEY

UAG	P	080	O	A	090	B	S	0	
1	2	3	4	5	6	7	8	9	10



OPTICAL SENSOR



FLOW CONTROL SYSTEM



HIGH REPEATABILITY

1

SERIES

UAG = UNICLAMP Power pivot

2

VERSION

P = Pneumatic

3

SIZE

080 = 60 Nm Ø 80 mm

4

TABLE POSITION

O = Horizontal 90°
 P = Horizontal mirror of "O"
 V = Vertical 180°
 Z = Vertical mirror of "V"
 *Max opening angle 60°

5

SENSOR

N = No sensor (with protection plate)
 K = Electronic sensor PNP, M12 (DF-K)
 Y = Electronic sensor PNP, M12 (DF-Y) white LED
 J = Electronic sensor NPN, M12 (DF-J)
 A = Electronic sensor PNP, optical for opening angle, M12 (DF-K) + brake sensor (DF-S)

6

PIVOT ROTATION

120 = 120°
 090 = 90°
 060 = 60°
 045 = 45°

7

BRAKE SYSTEM

B = With brake
 M = With brake and manual unlock

8

CONNECTIONS

S = Left side (Standard)
 D = Right side
 F = Front side
 P = Rear side



9

PRODUCT REVISION

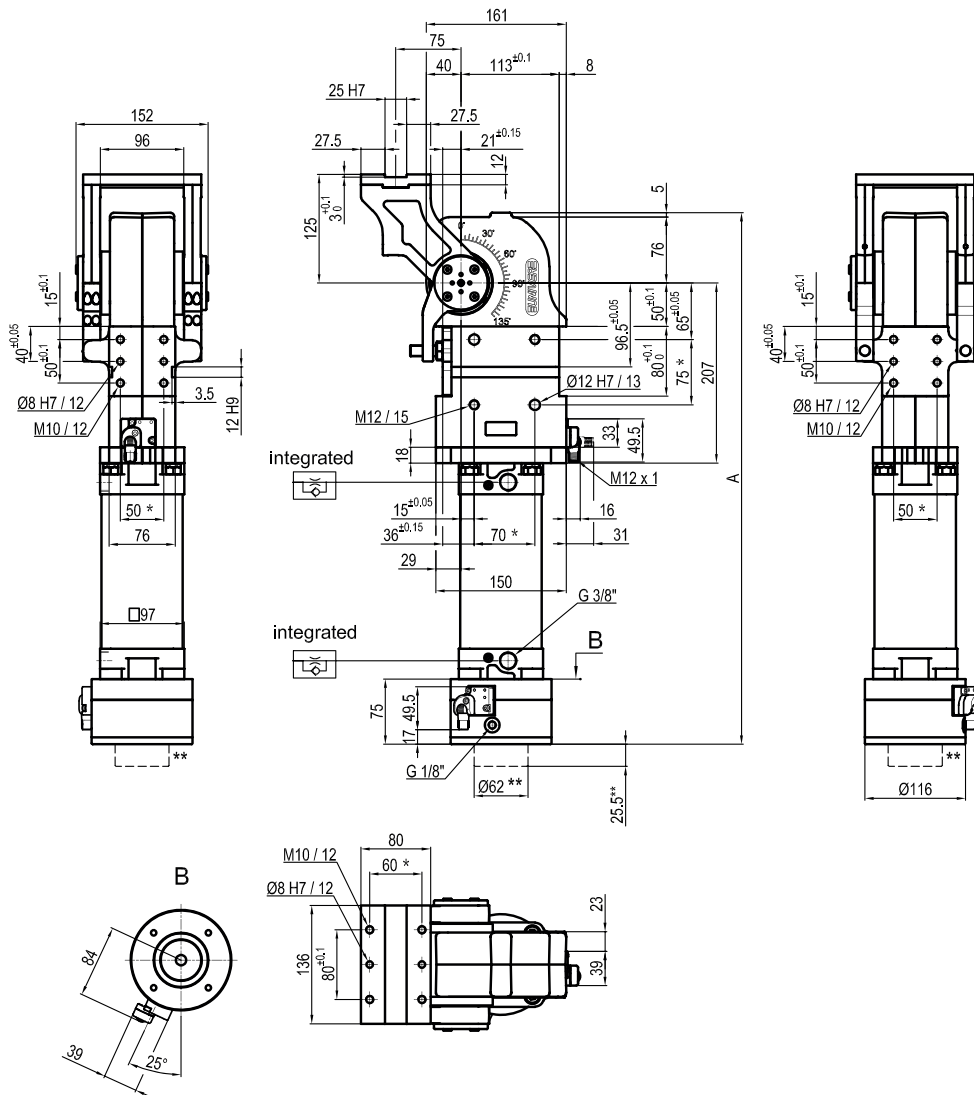
Assigned by UNIVER

10

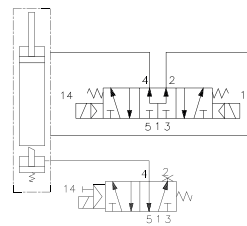
ATEX

X = ATEX option
 See ATEX Catalogue for types and versions

Horizontal 90°



5



Pivot rotation (°)	A
45°	550
60°	561.5
90°	586.5
120°	611.5

*TOLERANCE BETWEEN DOWELS ± 0,02 BETWEEN SCREW HOLES ± 0,1
 **VERSION WITH BRAKE UNLOCK *M*

Sensors

Body



Brake



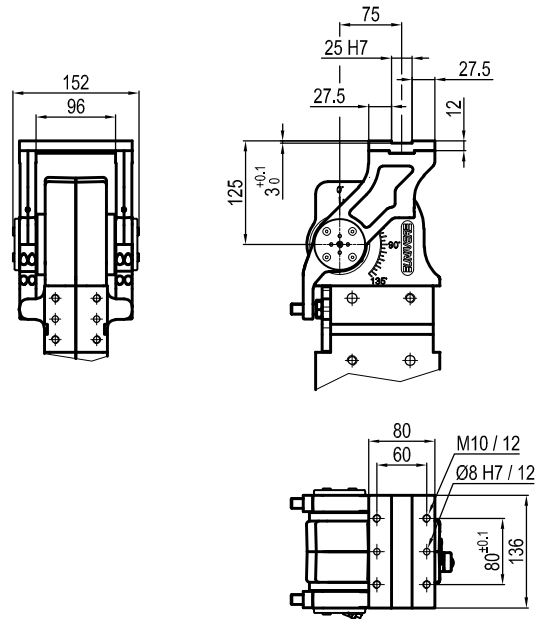
Electronic (optical)

- DF-K PNP M12
- DF-J NPN M12
- DF-Y PNP M12 White LED

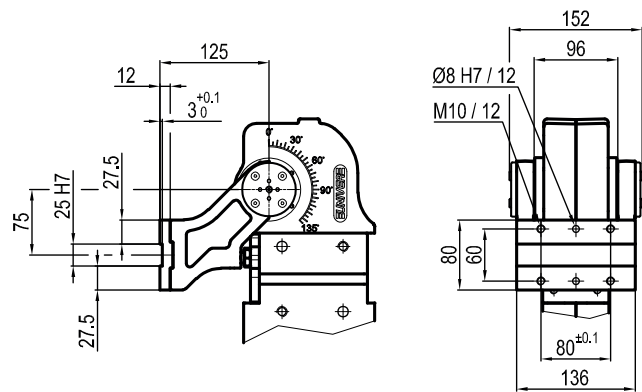
Electronic

- DF-S PNP M12

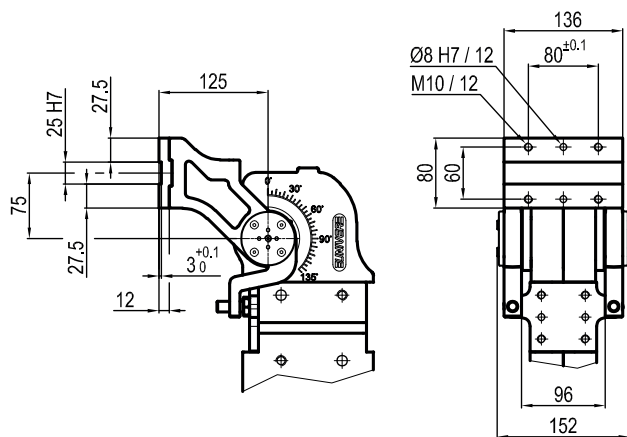
P Horizontal
Mirror of "O" position



5 **V** Vertical 180°



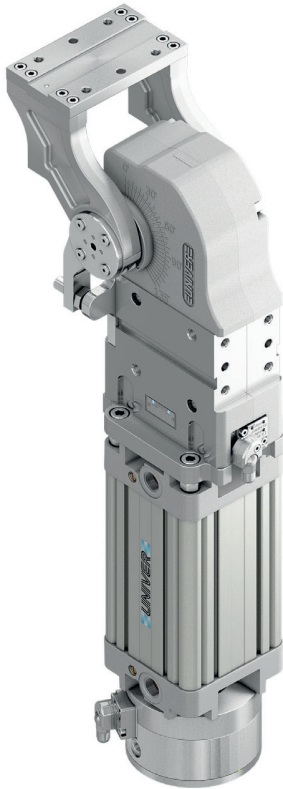
Z Vertical
Mirror of "V" position



UAGP 120

Pneumatic power pivot 110 Nm with brake

Pneumatic power pivot with brake typically used to rotate and dump fixtures and parts in a desired position.



- High repeatability
- Mechanical stops
- Integrated flow control system
- Double pneumatic cushioning
- Fixing ports on 4 sides
- Tapered roller bearings to support heavy load
- Orientable table in 4 pre-set positions
- Version with sensor on the brake available

CHARACTERISTICS

Operating temperature	5° ÷ 45° C
Min./Max. Operating pressure	0,4 / 0,6 MPa
Bore Ø	100 mm
Pivot rotation	45°/60°/90°/120°
Holding moment	4000 Nm
Max. torque at rotary table (0,55MPa)	110 Nm
Weight	19 kg
Pneumatic supply ports	G1/2
Body sensor	electronic (optical)
Brake sensor	electronic
Supply voltage	10 ÷ 30 Vdc
IP code	IP 65

CODIFICATION KEY

UAG	P	120	O	A	090	B	S	0	
1	2	3	4	5	6	7	8	9	10



OPTICAL SENSOR



FLOW CONTROL SYSTEM



HIGH REPEATABILITY

1

SERIES
UAG = UNICLAMP Power pivot

2

VERSION
P = Pneumatic

3

SIZE
120 = 110 Nm Ø 100 mm

4

TABLE POSITION
O = Horizontal 90°
P = Horizontal mirror of "O"
V = Vertical 180°
Z = Vertical mirror of "V"
*Max opening angle 60°

5

SENSOR
N = No sensor (with protection plate)
K = Electronic sensor PNP, M12 (DF-K)
Y = Electronic sensor PNP, M12 (DF-Y) white LED
J = Electronic sensor NPN, M12 (DF-J)
A = Electronic sensor PNP, optical for opening angle, M12 (DF-K) + brake sensor (DF-S)

6

PIVOT ROTATION
120 = 120°
090 = 90°
060 = 60°
045 = 45°

7

BRAKE SYSTEM
B = With brake
M = With brake and manual unlock

8

CONNECTIONS
S = Left side (Standard)
D = Right side
F = Front side
P = Rear side



9

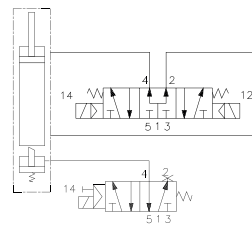
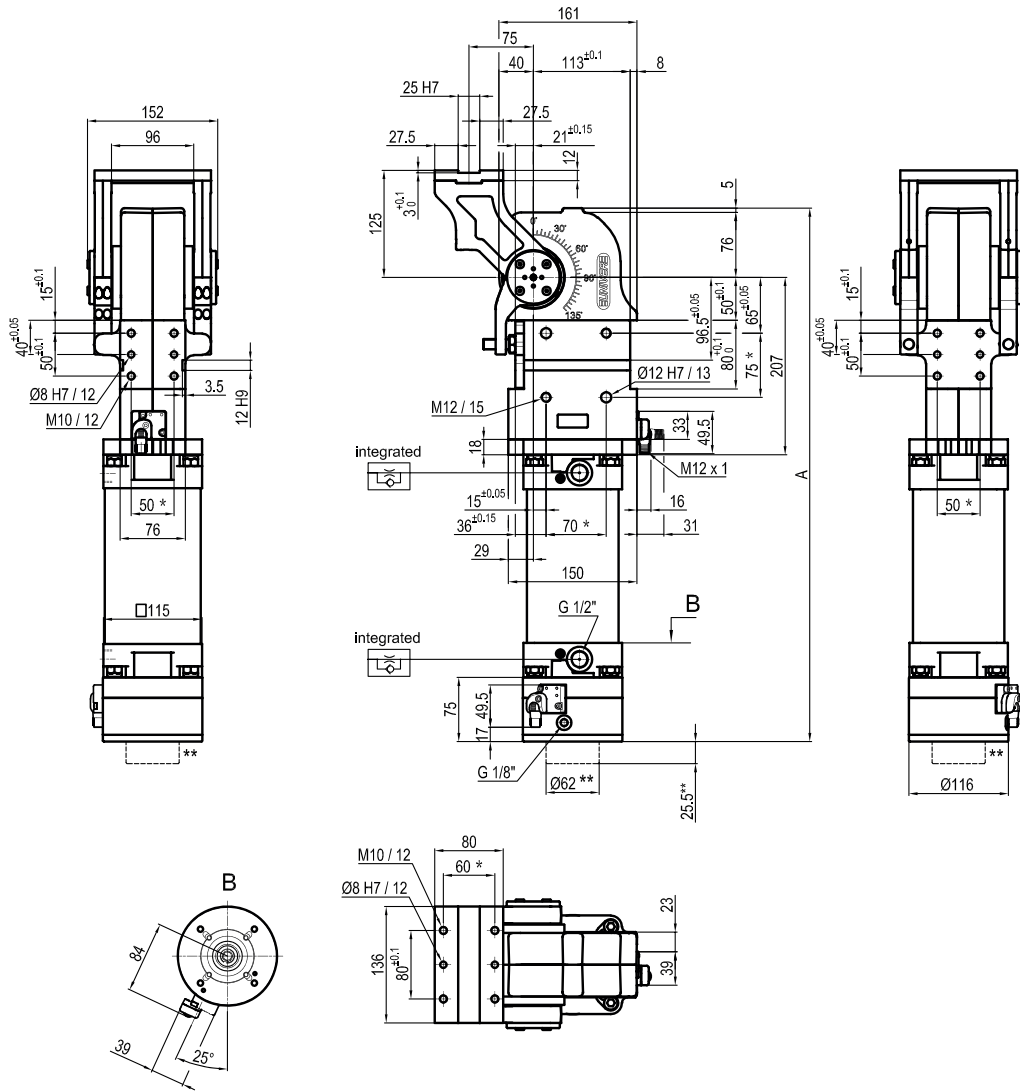
PRODUCT REVISION
Assigned by UNIVER

10

ATEX
X = ATEX option
See ATEX Catalogue for types and versions

Horizontal 90°

5



Pivot rotation (°)	A
45°	561.1
60°	572.6
90°	597.6
120°	622.6

*TOLERANCE BETWEEN DOWELS ± 0,02 BETWEEN SCREW HOLES ± 0,1
 **VERSION WITH BRAKE UNLOCK *M*

Sensors

Body



Brake



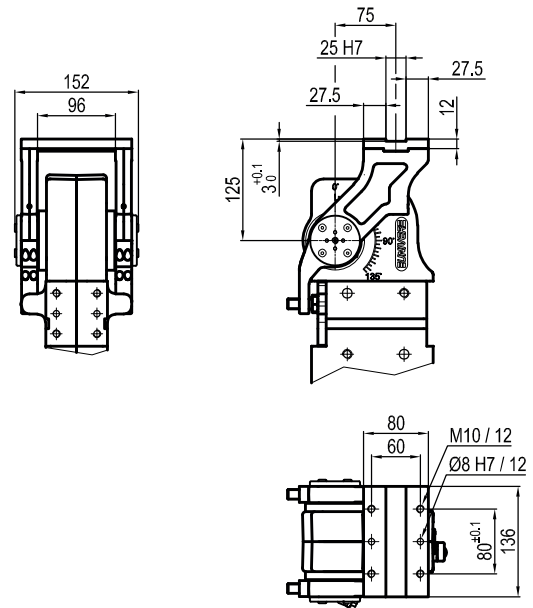
Electronic (optical)

- DF-K PNP M12
- DF-J NPN M12
- DF-Y PNP M12 White LED

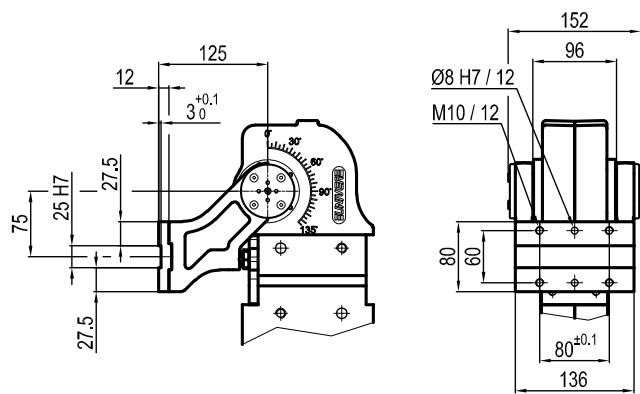
Electronic

- DF-S PNP M12

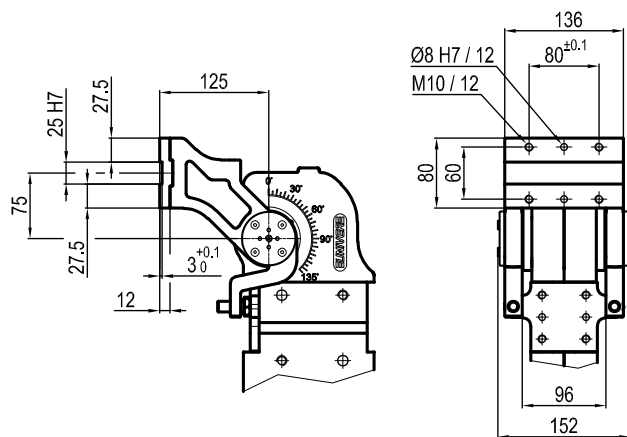
P Horizontal
Mirror of "O" position



V Vertical 180°



Z Vertical
Mirror of "V" position

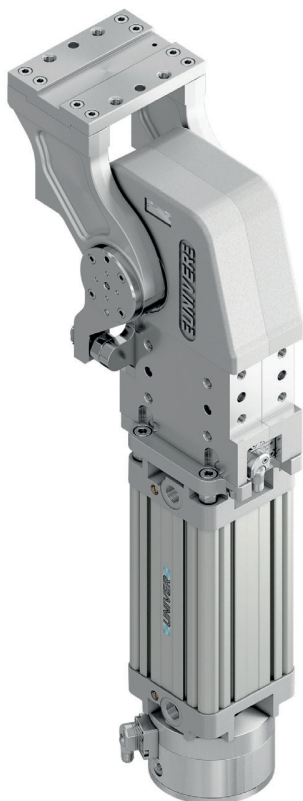


UAGP 150

Pneumatic power pivot 120 Nm with brake

Pneumatic power pivot with brake typically used to rotate and dump fixtures and parts in a desired position.

- High repeatability
- Mechanical stops
- Integrated flow control system
- Double pneumatic cushioning
- Fixing ports on 4 sides
- Tapered roller bearings to support heavy load
- Orientable table in 4 pre-set positions
- Version with sensor on the brake available



CHARACTERISTICS

Operating temperature	5° ÷ 45° C
Min./Max. Operating pressure	0,4 / 0,6 MPa
Bore Ø	100 mm
Pivot rotation	45°/60°/90°/120°
Holding moment	6000 Nm
Max. torque at rotary table (0,55MPa)	120 Nm
Weight	25 kg
Pneumatic supply ports	G1/2
Body sensor	electronic (optical)
Brake sensor	electronic
Supply voltage	10 ÷ 30 Vdc
IP code	IP 65

CODIFICATION KEY

UAG	P	150	O	A	090	B	S	0	
1	2	3	4	5	6	7	8	9	10



OPTICAL SENSOR



FLOW CONTROL SYSTEM



HIGH REPEATABILITY

1

SERIES
UAG = UNICLAMP Power pivot

2

VERSION
P = Pneumatic

3

SIZE
150 = 120 Nm Ø 100 mm

4

TABLE POSITION
O = Horizontal 90°
P = Horizontal mirror of "O"
V = Vertical 180°
Z = Vertical mirror of "V"
*Max opening angle 60°

5

SENSOR
N = No sensor (with protection plate)
K = Electronic sensor PNP, M12 (DF-K)
Y = Electronic sensor PNP, M12 (DF-Y) white LED
J = Electronic sensor NPN, M12 (DF-J)
A = Electronic sensor PNP, optical for opening angle, M12 (DF-K) + brake sensor (DF-S)

6

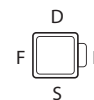
PIVOT ROTATION
120 = 120°
090 = 90°
060 = 60°
045 = 45°

7

BRAKE SYSTEM
B = With brake
M = With brake and manual unlock

8

CONNECTIONS
S = Left side (Standard)
D = Right side
F = Front side
P = Rear side



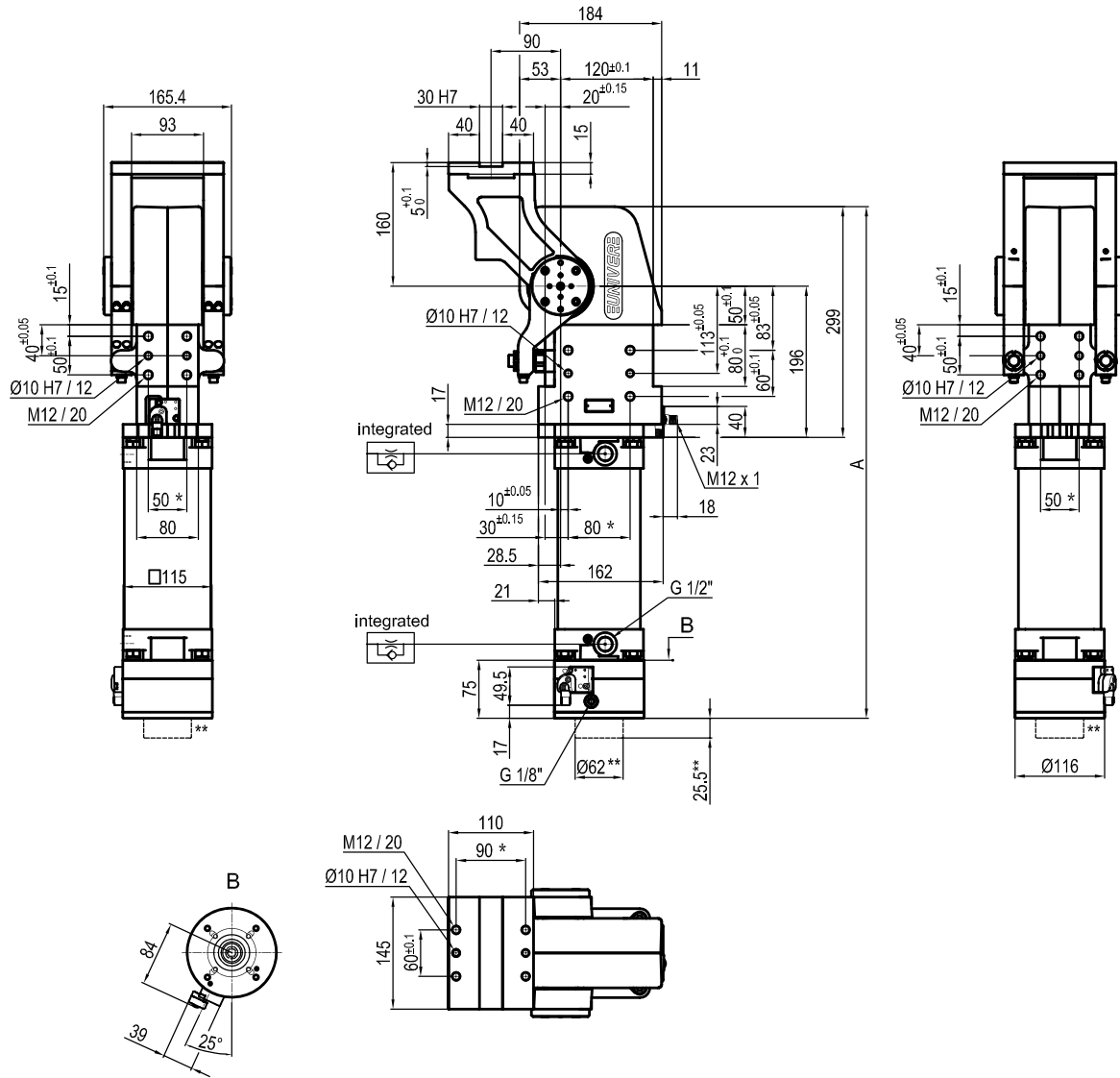
9

PRODUCT REVISION
Assigned by UNIVER

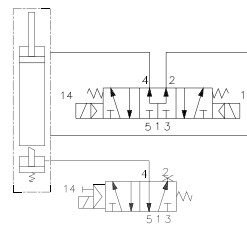
10

ATEX
X = ATEX option
See ATEX Catalogue for types and versions

Horizontal 90°



5



Pivot rotation (°)	A
45°	583.5
60°	597
90°	628
120°	662.5

*TOLERANCE BETWEEN DOWELS $\pm 0,02$ BETWEEN SCREW HOLES $\pm 0,1$
 **VERSION WITH BRAKE UNLOCK "M"

Sensors

Body



Brake



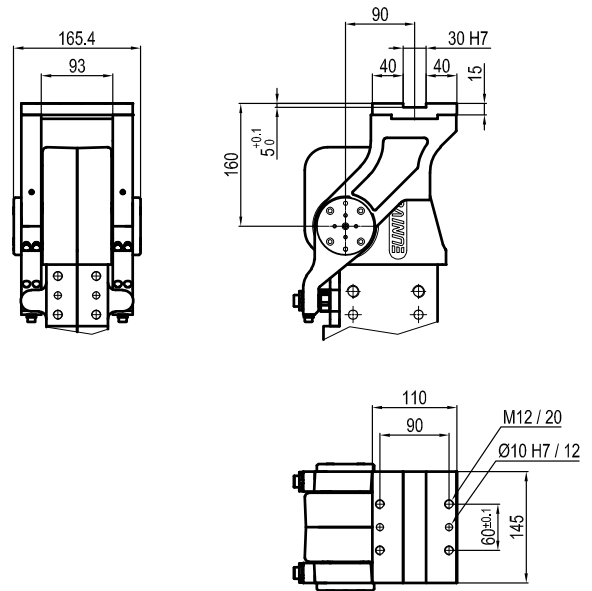
Electronic (optical)

- DF-K PNP M12
- DF-J NPN M12
- DF-Y PNP M12 White LED

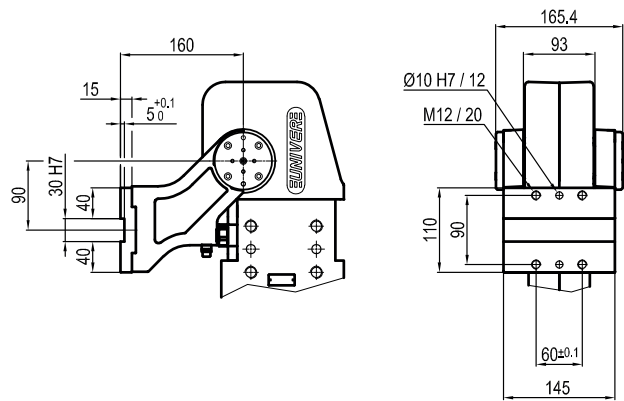
Electronic

- DF-S PNP M12

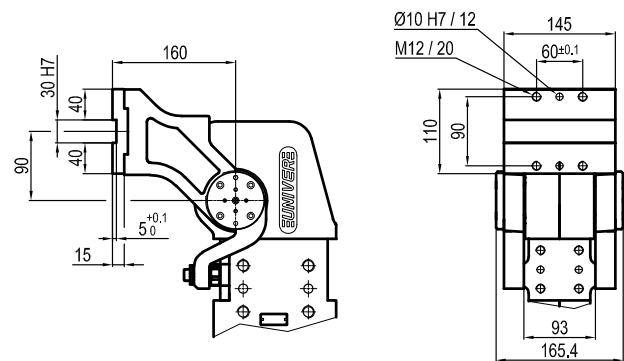
P Horizontal
Mirror of "O" position



5 **V** Vertical 180°



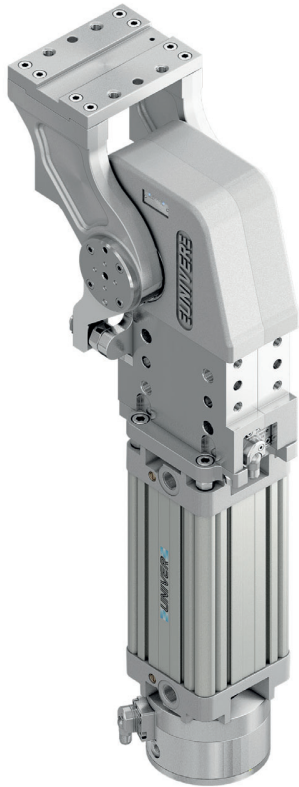
Z Vertical
Mirror of "V" position



UAGP 155

Pneumatic power pivot 120 Nm with brake

Pneumatic power pivot with brake typically used to rotate and dump fixtures and parts in a desired position.



- High repeatability
- Mechanical stops
- Integrated flow control system
- Double pneumatic cushioning
- Fixing ports on 4 sides
- Tapered roller bearings to support heavy load
- Orientable table in 4 pre-set positions
- Version with sensor on the brake available

CHARACTERISTICS

Operating temperature	5° ÷ 45° C
Min./Max. Operating pressure	0,4 / 0,6 MPa
Bore Ø	100 mm
Pivot rotation	45°/60°/90°/120°
Holding moment	6000 Nm
Max. torque at rotary table (0,55MPa)	120 Nm
Weight	25 kg
Pneumatic supply ports	G1/2
Body sensor	electronic (optical)
Brake sensor	electronic
Supply voltage	10 ÷ 30 Vdc
IP code	IP 65

CODIFICATION KEY

UAG	P	155	O	A	090	B	S	0	
1	2	3	4	5	6	7	8	9	10



OPTICAL SENSOR



FLOW CONTROL SYSTEM



HIGH REPEATABILITY

1

SERIES
UAG = UNICLAMP Power pivot

2

VERSION
P = Pneumatic

3

SIZE
155 = 120 Nm Ø 100 mm

4

TABLE POSITION
O = Horizontal 90°
P = Horizontal mirror of "O"*
V = Vertical 180°
Z = Vertical mirror of "V"
*Max opening angle 60°

5

SENSOR
N = No sensor (with protection plate)
K = Electronic sensor PNP, M12 (DF-K)
Y = Electronic sensor PNP, M12 (DF-Y) white LED
J = Electronic sensor NPN, M12 (DF-J)
A = Electronic sensor PNP, optical for opening angle, M12 (DF-K) + brake sensor (DF-S)

6

PIVOT ROTATION
120 = 120°
090 = 90°
060 = 60°
045 = 45°

7

BRAKE SYSTEM
B = With brake
M = With brake and manual unlock

8

CONNECTIONS
S = Left side (Standard)
D = Right side
F = Front side
P = Rear side



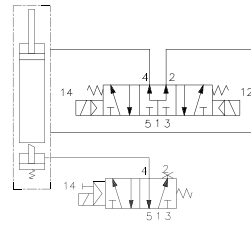
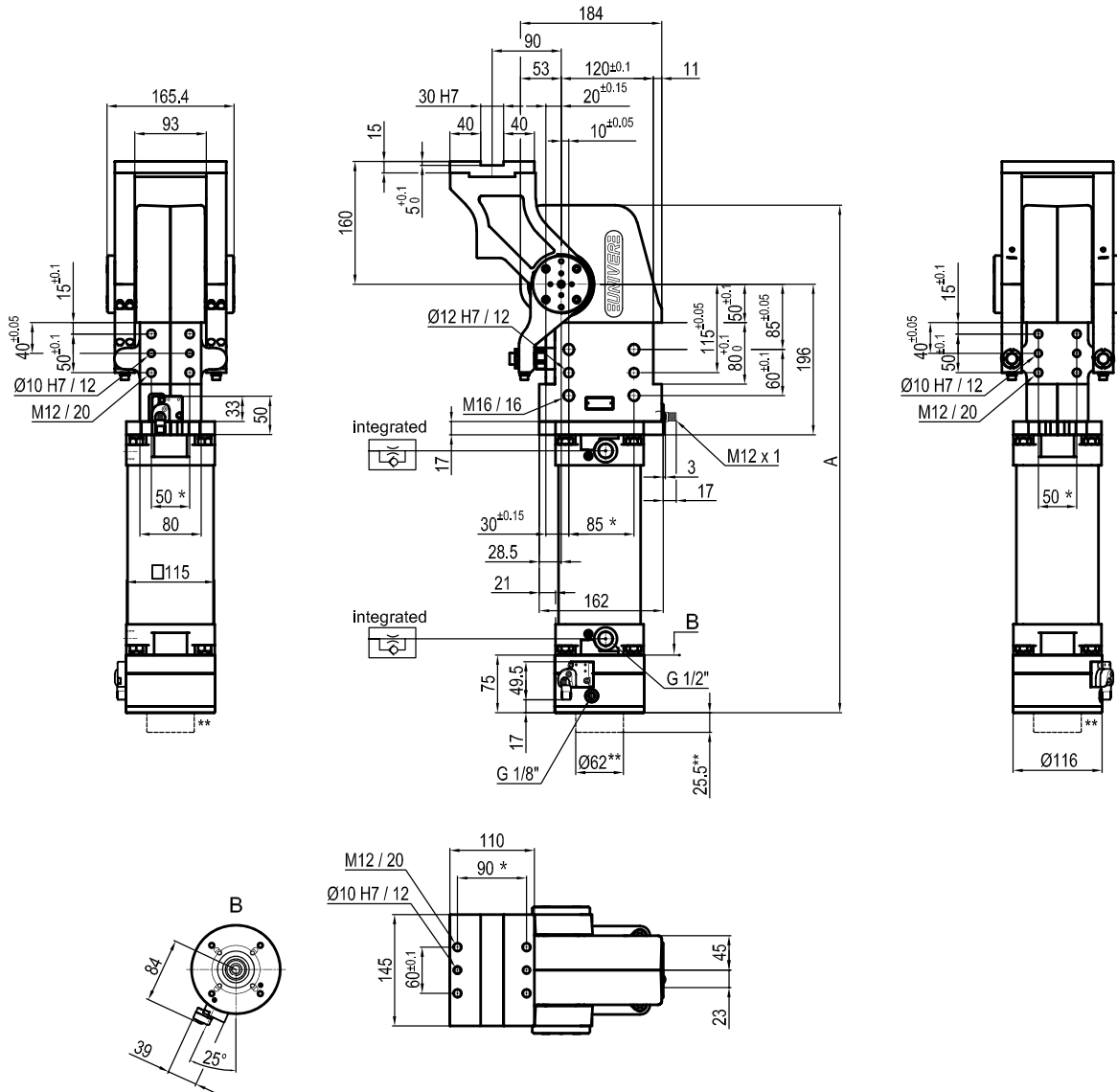
9

PRODUCT REVISION
Assigned by UNIVER

10

ATEX
X = ATEX option
See ATEX Catalogue for types and versions

Horizontal 90°



Pivot rotation (°)	A
45°	583.5
60°	597
90°	628
120°	662.5

*TOLERANCE BETWEEN DOWELS $\pm 0,02$ BETWEEN SCREW HOLES $\pm 0,1$
 **VERSION WITH BRAKE UNLOCK *M*

Sensors

Body



Brake



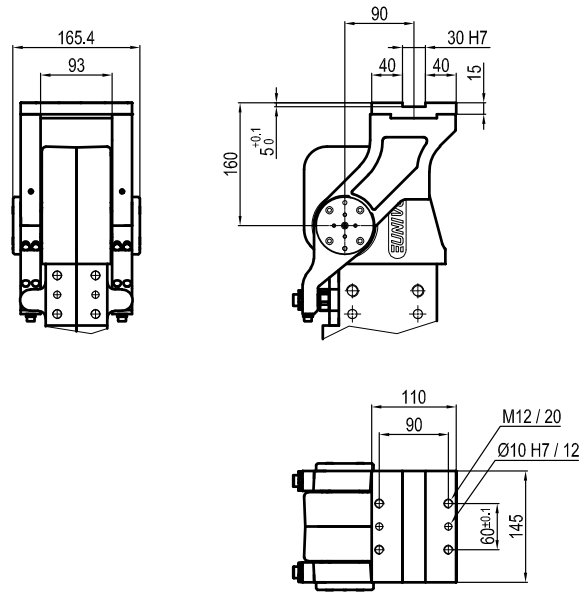
Electronic (optical)

- DF-K PNP M12
- DF-J NPN M12
- DF-Y PNP M12 White LED

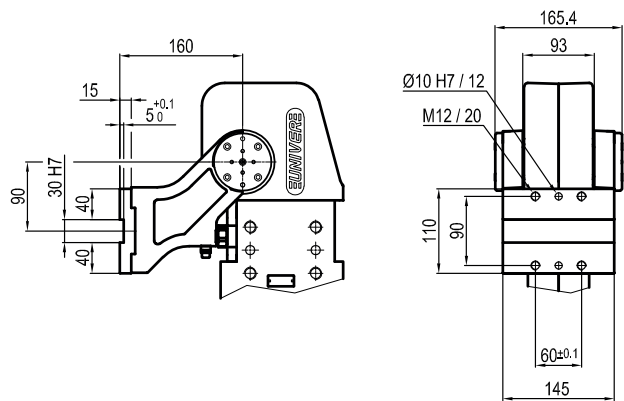
Electronic

- DF-S PNP M12

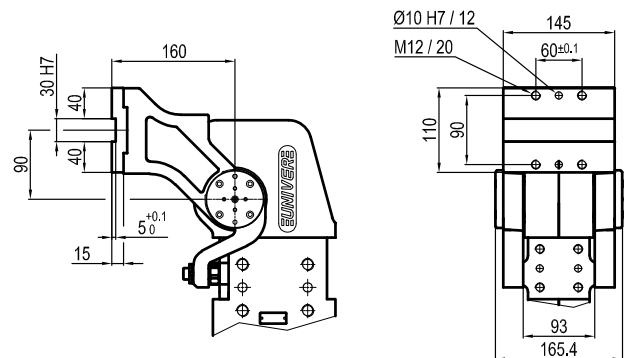
P Horizontal
Mirror of "O" position



V Vertical 180°



Z Vertical
Mirror of "V" position

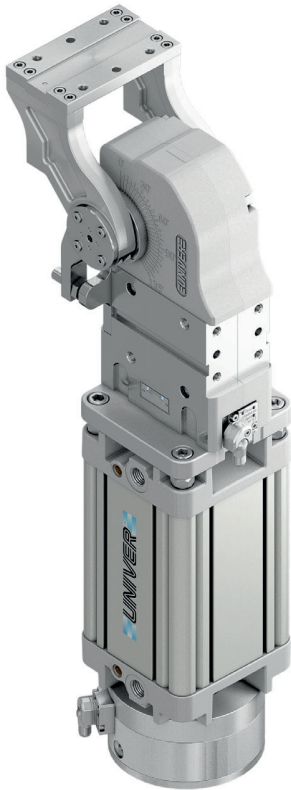


UAGP 170

Pneumatic power pivot 170 Nm with brake

Pneumatic power pivot with brake typically used to rotate and dump fixtures and parts in a desired position.

- High repeatability
- Mechanical stops
- Integrated flow control system
- Double pneumatic cushioning
- Fixing ports on 4 sides
- Tapered roller bearings to support heavy load
- Orientable table in 4 pre-set positions
- Version with sensor on the brake available



CHARACTERISTICS

Operating temperature	5° ÷ 45° C
Min./Max. Operating pressure	0,4 / 0,6 MPa
Bore Ø	125 mm
Pivot rotation	45°/60°/90°/120°
Holding moment	4000 Nm
Max. torque at rotary table (0,55MPa)	170 Nm
Weight	22,3 kg
Pneumatic supply ports	G1/2
Body sensor	electronic (optical)
Brake sensor	electronic
Supply voltage	10 ÷ 30 Vdc
IP code	IP 65

CODIFICATION KEY

UAG	P	170	O	A	090	B	S	0	
1	2	3	4	5	6	7	8	9	10



OPTICAL SENSOR



FLOW CONTROL SYSTEM



HIGH REPEATABILITY

1

SERIES
UAG = UNICLAMP Power pivot

2

VERSION
P = Pneumatic

3

SIZE
170 = 170 Nm Ø 125 mm

4

TABLE POSITION
O = Horizontal 90°
P = Horizontal mirror of "O"
V = Vertical 180°
Z = Vertical mirror of "V"
*Max opening angle 60°

5

SENSOR
N = No sensor (with protection plate)
K = Electronic sensor PNP, M12 (DF-K)
Y = Electronic sensor PNP, M12 (DF-Y) white LED
J = Electronic sensor NPN, M12 (DF-J)
A = Electronic sensor PNP, optical for opening angle, M12 (DF-K) + brake sensor (DF-S)

6

PIVOT ROTATION
120 = 120°
090 = 90°
060 = 60°
045 = 45°

7

BRAKE SYSTEM
B = With brake
M = With brake and manual unlock

8

CONNECTIONS
S = Left side (Standard)
D = Right side
F = Front side
P = Rear side



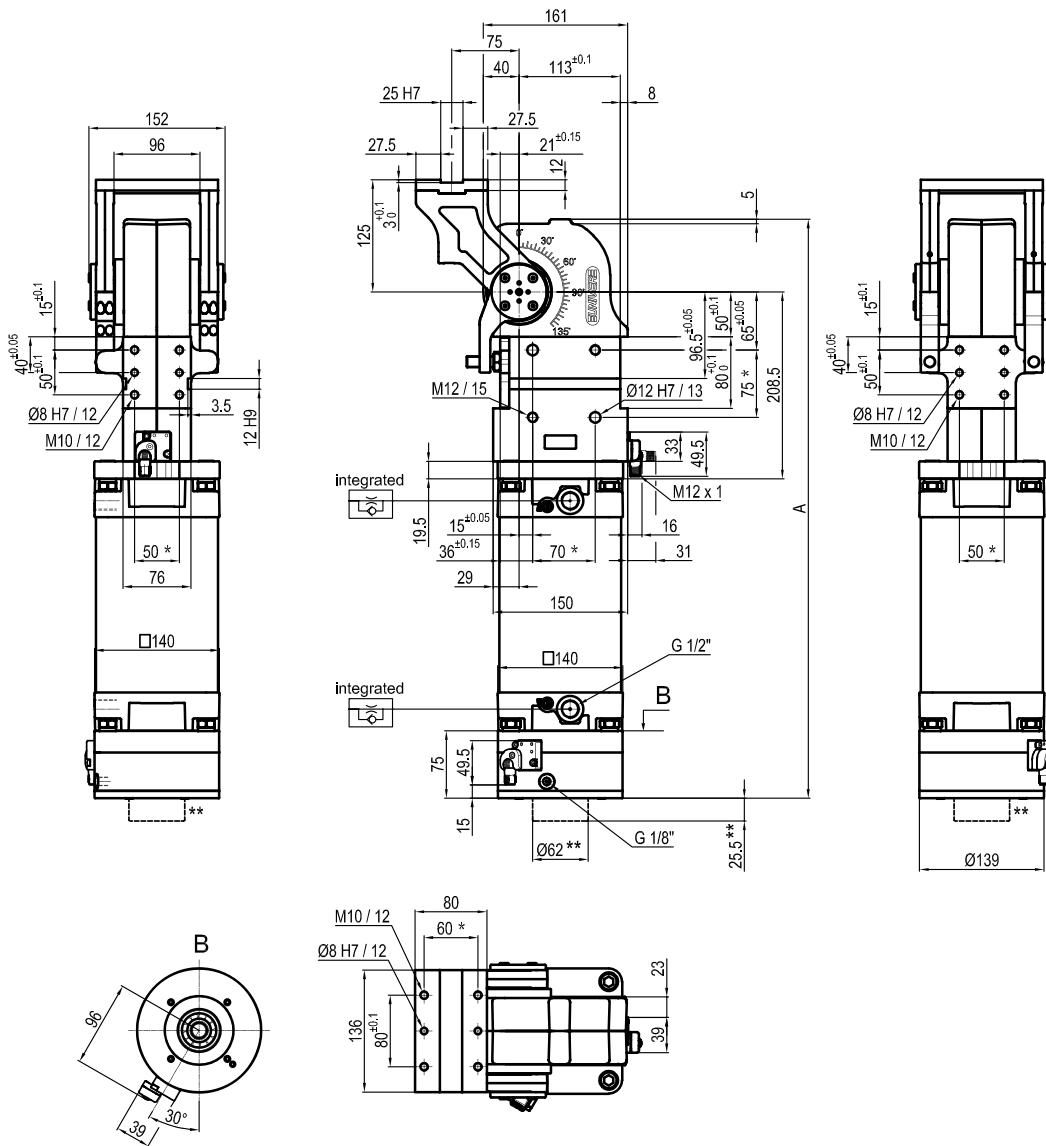
9

PRODUCT REVISION
Assigned by UNIVER

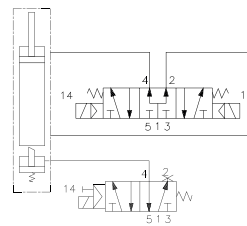
10

ATEX
X = ATEX option
See ATEX Catalogue for types and versions

Horizontal 90°



5



Pivot rotation (°)	A
45°	584
60°	595.5
90°	620.5
120°	646

*TOLERANCE BETWEEN DOWELS ± 0,02 BETWEEN SCREW HOLES ± 0,1
 **VERSION WITH BRAKE UNLOCK "M"

Sensors

Body



Brake



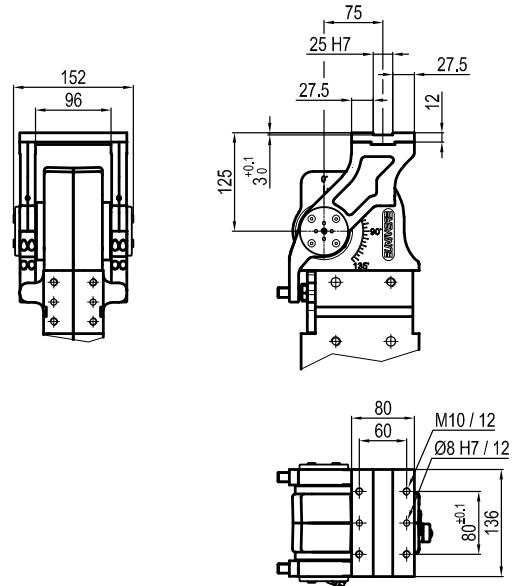
Electronic (optical)

- DF-K PNP M12
- DF-J NPN M12
- DF-Y PNP M12 White LED

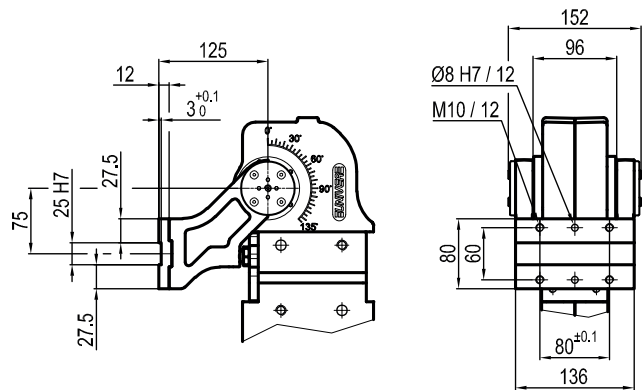
Electronic

- DF-S PNP M12

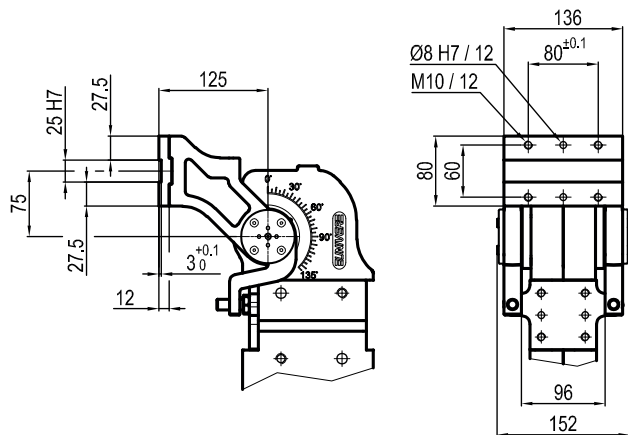
P Horizontal
Mirror of "O" position



5 **V** Vertical 180°



Z Vertical
Mirror of "V" position



UAGP 210

Pneumatic power pivot 210 Nm with brake

Pneumatic power pivot with brake typically used to rotate and dump fixtures and parts in a desired position.



- High repeatability
- Mechanical stops
- Integrated flow control system
- Double pneumatic cushioning
- Fixing ports on 4 sides
- Tapered roller bearings to support heavy load
- Orientable table in 4 pre-set positions
- Version with sensor on the brake available

CHARACTERISTICS

Operating temperature	5° ÷ 45° C
Min./Max. Operating pressure	0,4 / 0,6 MPa
Bore Ø	125 mm
Pivot rotation	45°/60°/90°/120°
Holding moment	8000 Nm
Max. torque at rotary table (0,55MPa)	210 Nm
Weight	48 kg
Pneumatic supply ports	G1/2
Body sensor	electronic (optical)
Brake sensor	electronic
Supply voltage	10 ÷ 30 Vdc
IP code	IP 65

CODIFICATION KEY

UAG	P	210	O	A	090	B	S	0	
1	2	3	4	5	6	7	8	9	10



OPTICAL SENSOR



FLOW CONTROL SYSTEM



HIGH REPEATABILITY

1

SERIES
UAG = UNICLAMP Power pivot

2

VERSION
P = Pneumatic

3

SIZE
210 = 210 Nm Ø 125 mm

4

TABLE POSITION
O = Horizontal 90°
P = Horizontal mirror of "O"
V = Vertical 180°
Z = Vertical mirror of "V"
*Max opening angle 60°

5

SENSOR
N = No sensor (with protection plate)
K = Electronic sensor PNP, M12 (DF-K)
Y = Electronic sensor PNP, M12 (DF-Y) white LED
J = Electronic sensor NPN, M12 (DF-J)
A = Electronic sensor PNP, optical for opening angle, M12 (DF-K) + brake sensor (DF-S)

6

PIVOT ROTATION
120 = 120°
090 = 90°
060 = 60°
045 = 45°

7

BRAKE SYSTEM
B = With brake
M = With brake and manual unlock

8

CONNECTIONS
S = Left side (Standard)
D = Right side
F = Front side
P = Rear side



9

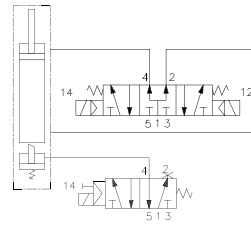
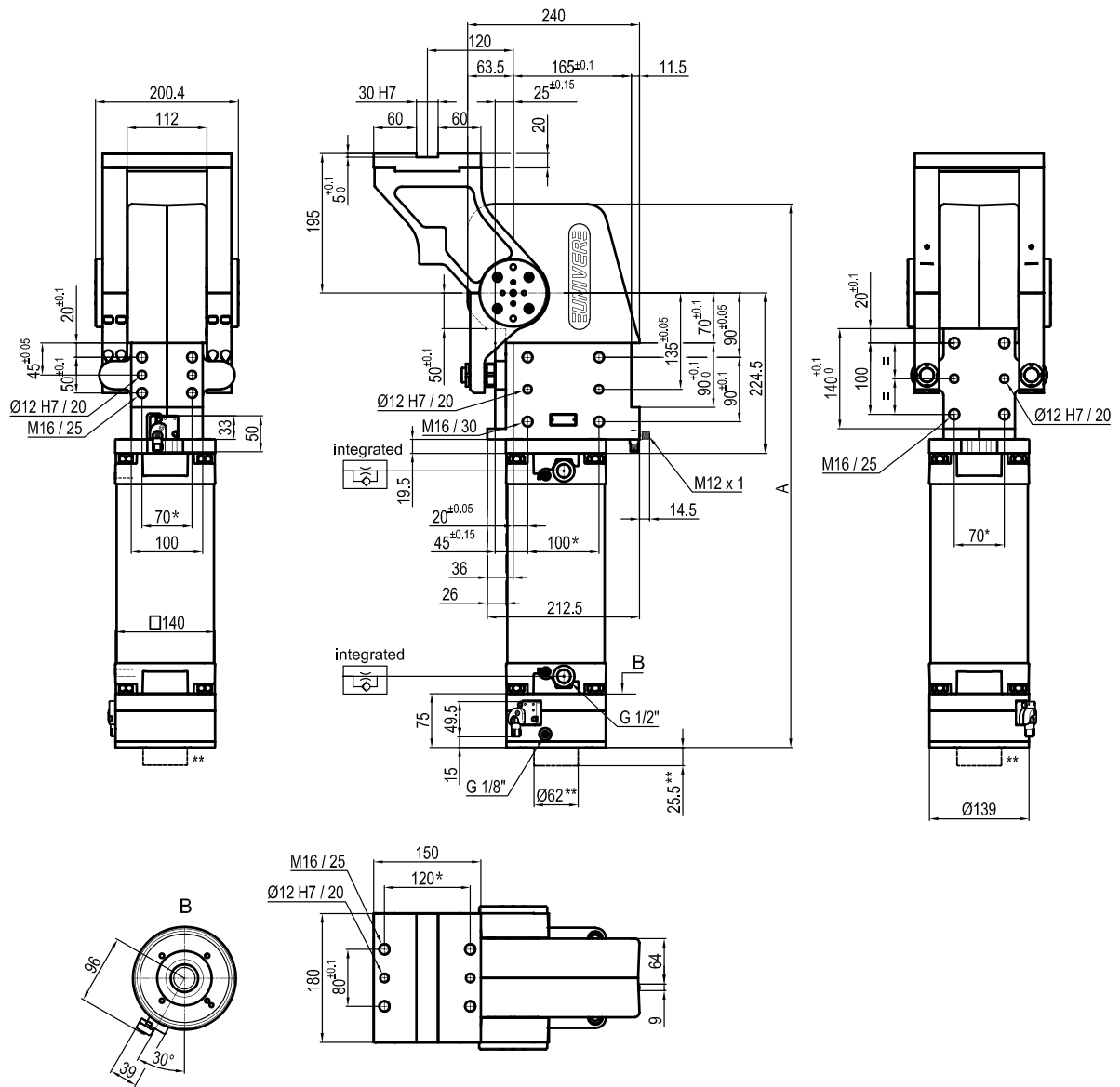
PRODUCT REVISION
Assigned by UNIVER

10

ATEX
X = ATEX option
See ATEX Catalogue for types and versions

Horizontal 90°

5



Pivot rotation (°)	A
45°	666.5
60°	682.5
90°	719
120°	759.5

*TOLERANCE BETWEEN DOWELS ± 0,02 BETWEEN SCREW HOLES ± 0,1
 **VERSION WITH BRAKE UNLOCK *M

Sensors

Body



Electronic (optical)

- DF-K PNP M12
- DF-J NPN M12
- DF-Y PNP M12 White LED

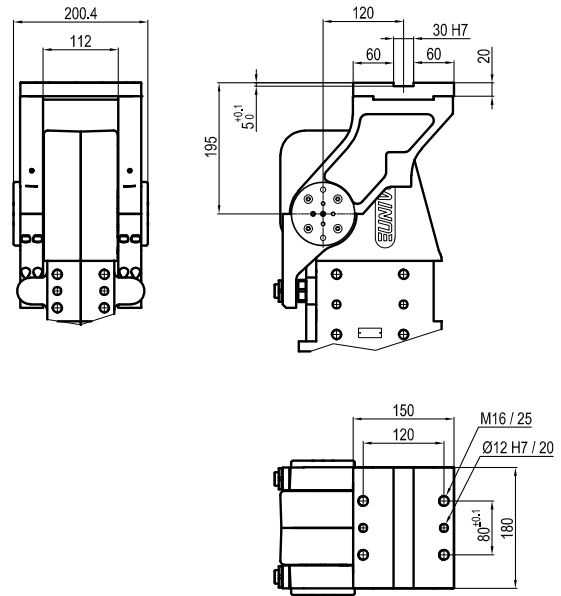
Brake



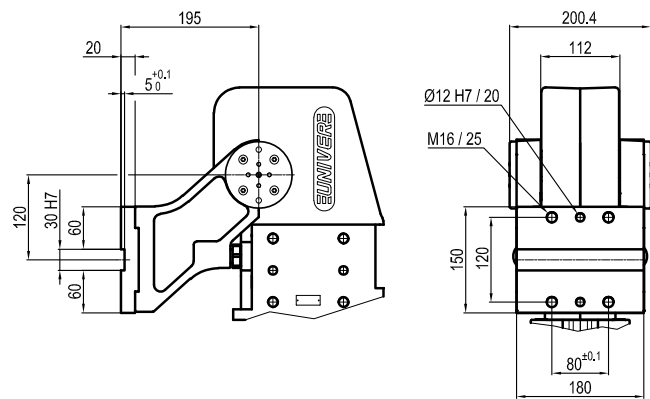
Electronic

- DF-S PNP M12

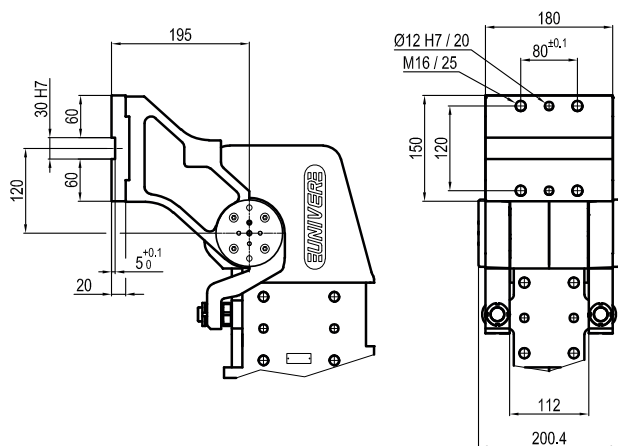
P Horizontal
Mirror of "O" position



V Vertical 180°



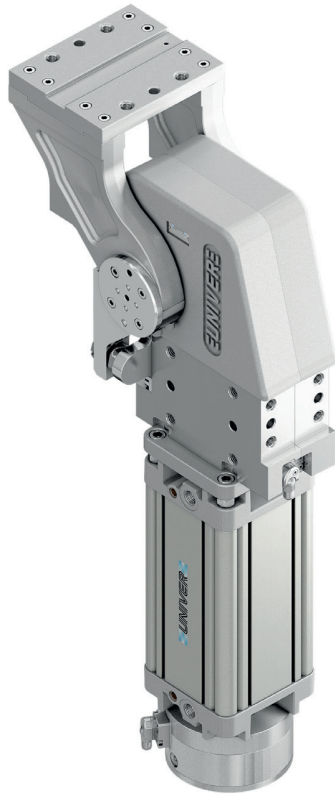
Z Vertical
Mirror of "V" position



UAGP 215

Pneumatic power pivot 210 Nm with brake

Pneumatic power pivot with brake typically used to rotate and dump fixtures and parts in a desired position.



- High repeatability
- Mechanical stops
- Integrated flow control system
- Double pneumatic cushioning
- Fixing ports on 4 sides
- Tapered roller bearings to support heavy load
- Orientable table in 4 pre-set positions
- Version with sensor on the brake available

CHARACTERISTICS

Operating temperature	5° ÷ 45° C
Min./Max. Operating pressure	0,4 / 0,6 MPa
Bore Ø	125 mm
Pivot rotation	45°/60°/90°/120°
Holding moment	8000 Nm
Max. torque at rotary table (0,55MPa)	210 Nm
Weight	48 kg
Pneumatic supply ports	G1/2
Body sensor	electronic (optical)
Brake sensor	electronic
Supply voltage	10 ÷ 30 Vdc
IP code	IP 65

CODIFICATION KEY

UAG	P	215	O	A	090	B	S	0	
1	2	3	4	5	6	7	8	9	10



OPTICAL SENSOR



FLOW CONTROL SYSTEM



HIGH REPEATABILITY

1

SERIES
UAG = UNICLAMP Power pivot

2

VERSION
P = Pneumatic

3

SIZE
215 = 210 Nm Ø 125 mm

4

TABLE POSITION
O = Horizontal 90°
P = Horizontal mirror of "O"
V = Vertical 180°
Z = Vertical mirror of "V"
*Max opening angle 60°

5

SENSOR
N = No sensor (with protection plate)
K = Electronic sensor PNP, M12 (DF-K)
Y = Electronic sensor PNP, M12 (DF-Y) white LED
J = Electronic sensor NPN, M12 (DF-J)
A = Electronic sensor PNP, optical for opening angle, M12 (DF-K) + brake sensor (DF-S)

6

PIVOT ROTATION
120 = 120°
090 = 90°
060 = 60°
045 = 45°

7

BRAKE SYSTEM
B = With brake
M = With brake and manual unlock

8

CONNECTIONS
S = Left side (Standard)
D = Right side
F = Front side
P = Rear side



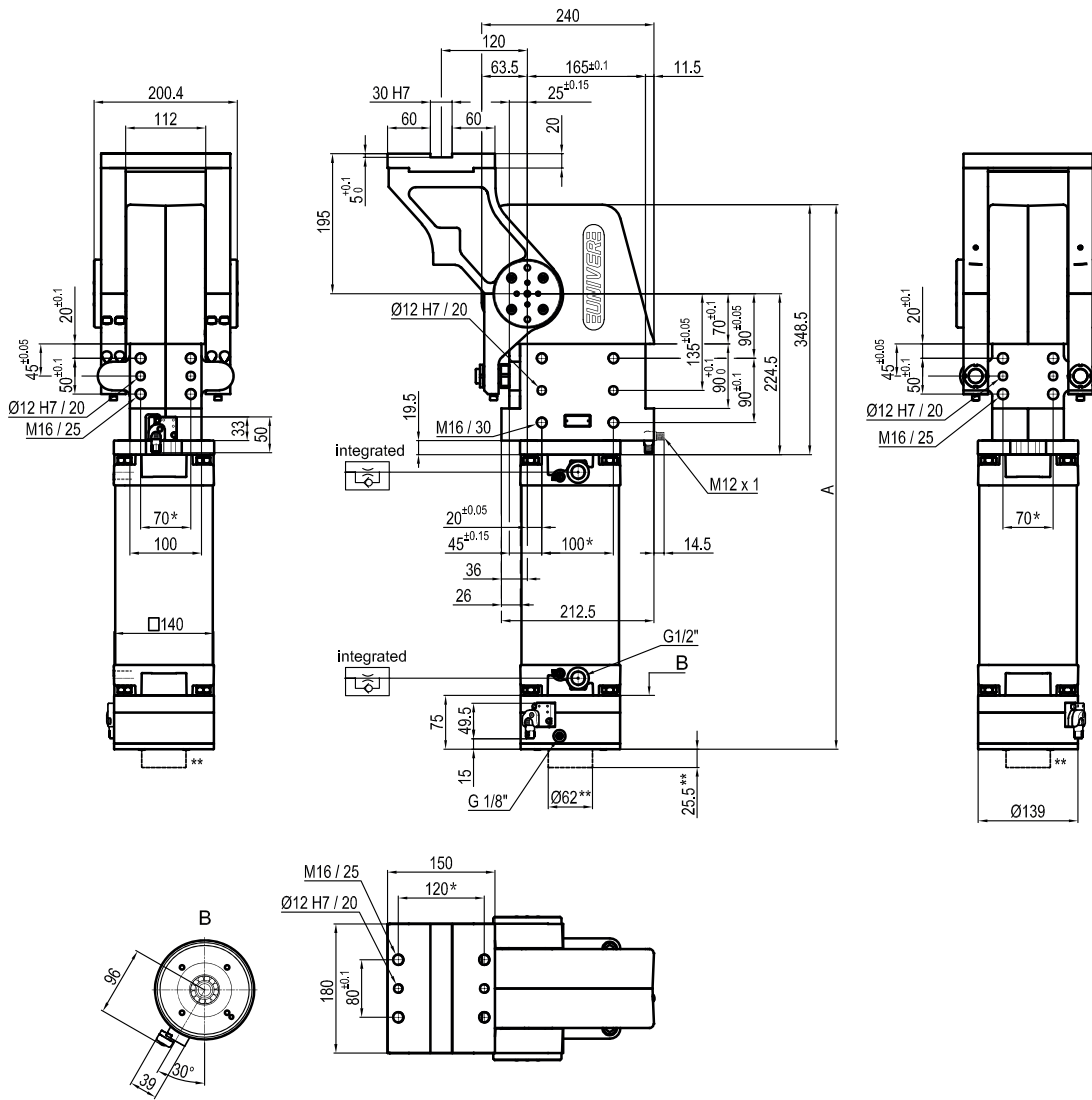
9

PRODUCT REVISION
Assigned by UNIVER

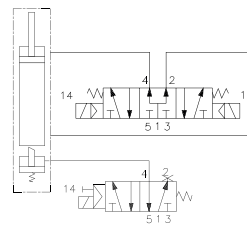
10

ATEX
X = ATEX option
See ATEX Catalogue for types and versions

Horizontal 90°



5



Pivot rotation (°)	A
45°	666.5
60°	682.5
90°	719
120°	759.5

*TOLERANCE BETWEEN DOWELS ± 0,02 BETWEEN SCREW HOLES ± 0,1
 **VERSION WITH BRAKE UNLOCK "M"

Sensors

Body



Brake



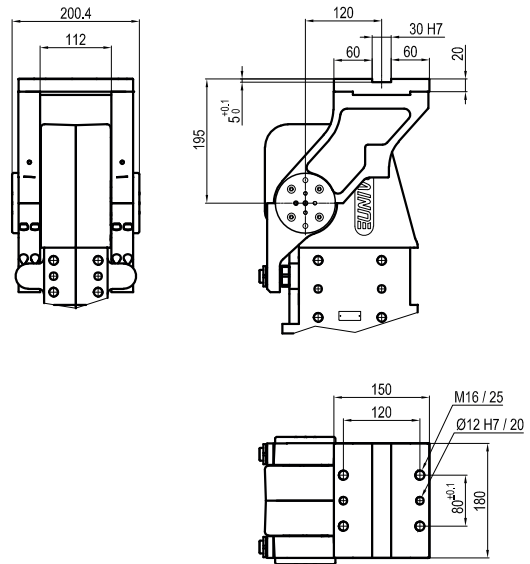
Electronic (optical)

- DF-K PNP M12
- DF-J NPN M12
- DF-Y PNP M12 White LED

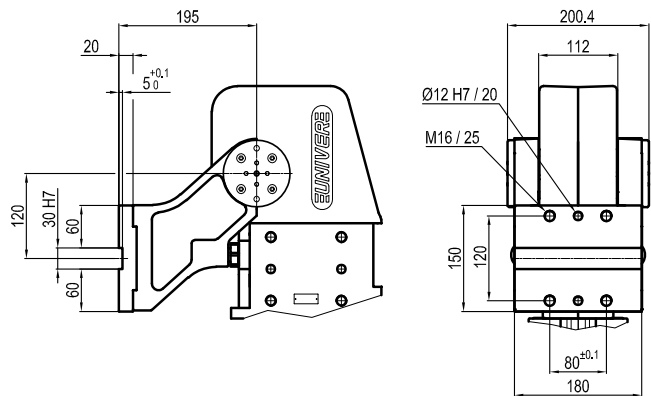
Electronic

- DF-S PNP M12

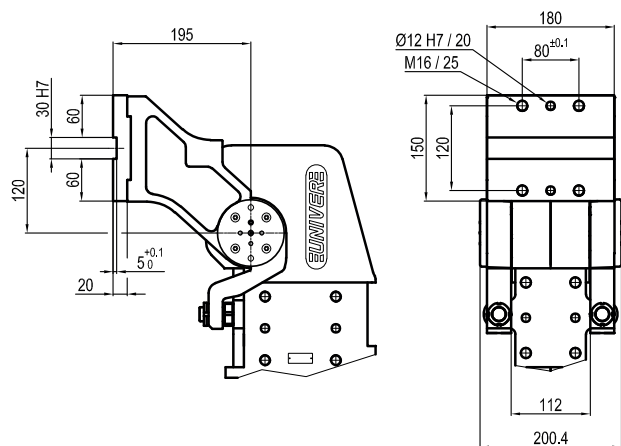
P Horizontal
Mirror of "O" position



5 **V** Vertical 180°



Z Vertical
Mirror of "V" position



UAGP 300

Pneumatic power pivot 300 Nm with brake

Pneumatic power pivot with brake typically used to rotate and dump fixtures and parts in a desired position.



- High repeatability
- Mechanical stops
- Integrated flow control system
- Double pneumatic cushioning
- Fixing ports on 4 sides
- Tapered roller bearings to support heavy load
- Orientable table in 4 pre-set positions
- Version with sensor on the brake available

CHARACTERISTICS

Operating temperature	5° ÷ 45° C
Min./Max. Operating pressure	0,4 / 0,6 MPa
Bore Ø	160 mm
Pivot rotation	45°/60°/90°/120°
Holding moment	6000 Nm
Max. torque at rotary table (0,55MPa)	300 Nm
Weight	39,3 kg
Pneumatic supply ports	G3/4
Body sensor	electronic (optical)
Brake sensor	electronic
Supply voltage	10 ÷ 30 Vdc
IP code	IP 65

CODIFICATION KEY

UAG	P	300	O	A	090	B	S	0	
1	2	3	4	5	6	7	8	9	10



OPTICAL SENSOR



FLOW CONTROL SYSTEM



HIGH REPEATABILITY

1

SERIES
UAG = UNICLAMP Power pivot

2

VERSION
P = Pneumatic

3

SIZE
300 = 300 Nm Ø 160 mm

4

TABLE POSITION
O = Horizontal 90°
P = Horizontal mirror of "O"
V = Vertical 180°
Z = Vertical mirror of "V"
*Max opening angle 60°

5

SENSOR
N = No sensor (with protection plate)
K = Electronic sensor PNP, M12 (DF-K)
Y = Electronic sensor PNP, M12 (DF-Y) white LED
J = Electronic sensor NPN, M12 (DF-J)
A = Electronic sensor PNP, optical for opening angle, M12 (DF-K) + brake sensor (DF-S)

6

PIVOT ROTATION
120 = 120°
090 = 90°
060 = 60°
045 = 45°

7

BRAKE SYSTEM
B = With brake
M = With brake and manual unlock

8

CONNECTIONS
S = Left side (Standard)
D = Right side
F = Front side
P = Rear side



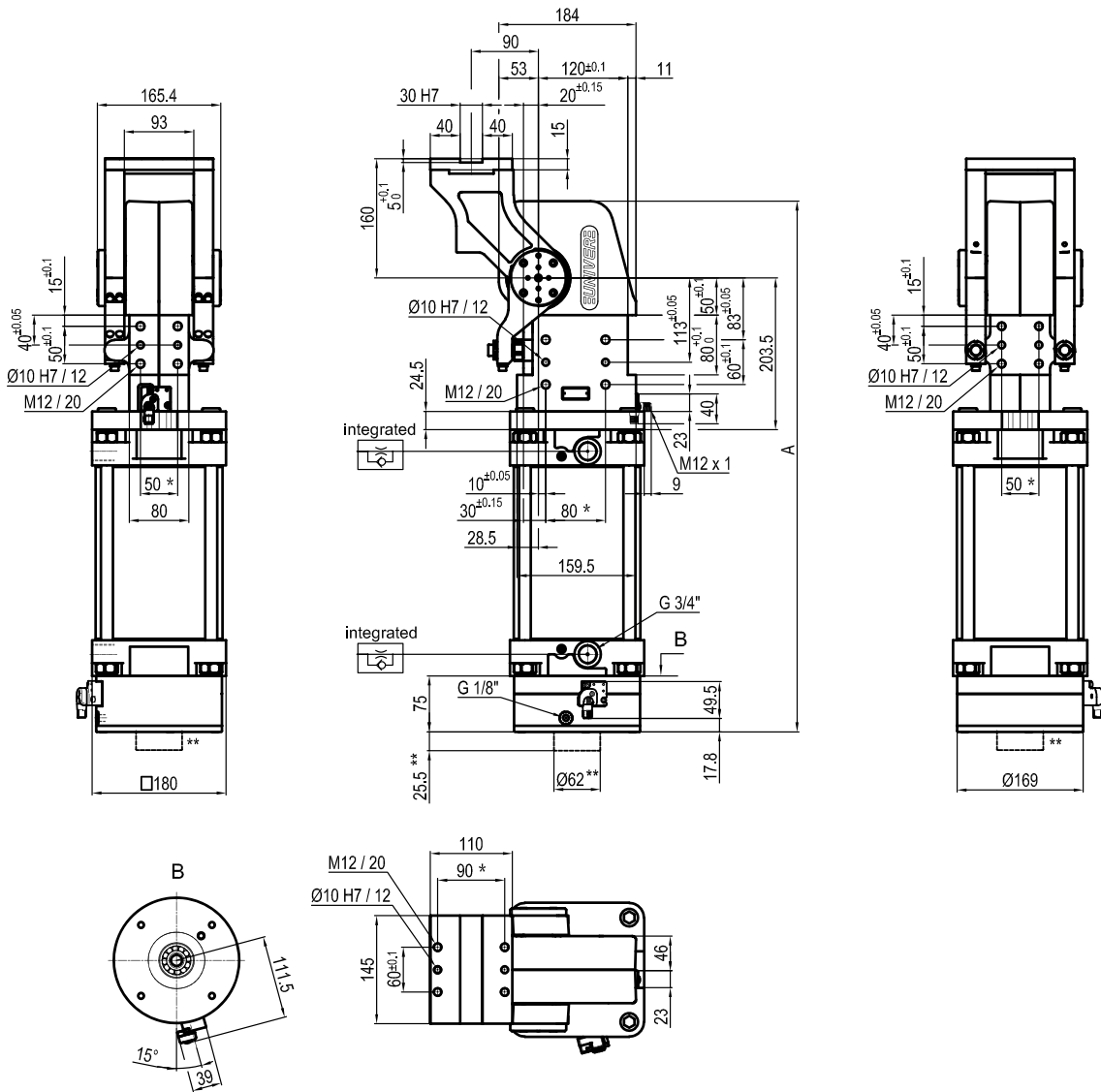
9

PRODUCT REVISION
Assigned by UNIVER

10

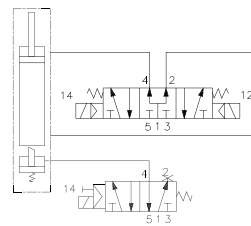
ATEX
X = ATEX option
See ATEX Catalogue for types and versions

Horizontal 90°



5

*TOLERANCE BETWEEN DOWELS ± 0,02 BETWEEN SCREW HOLES ± 0,1
 **VERSION WITH BRAKE UNLOCK *M*



Pivot rotation (°)	A
45°	633
60°	647
90°	678
120°	712

Sensors

Body



Brake



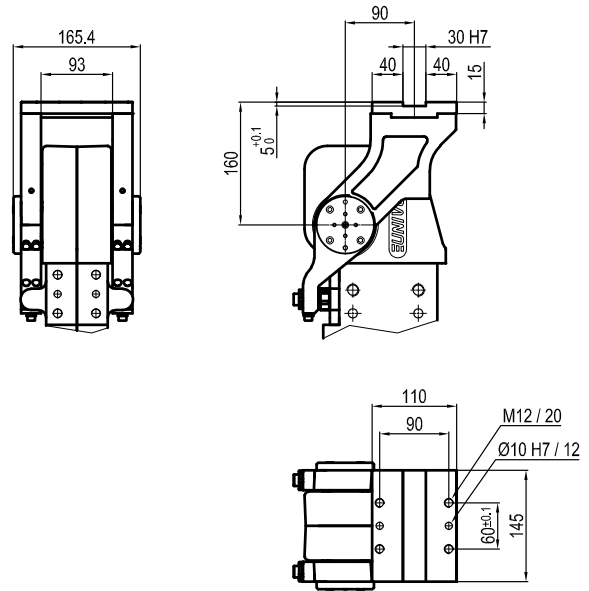
Electronic (optical)

- DF-K PNP M12
- DF-J NPN M12
- DF-Y PNP M12 White LED

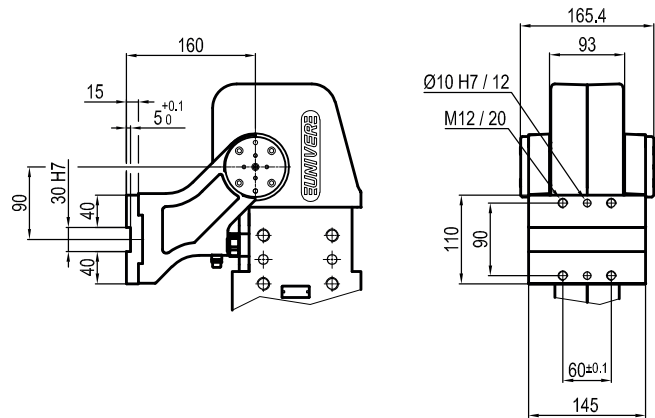
Electronic

- DF-S PNP M12

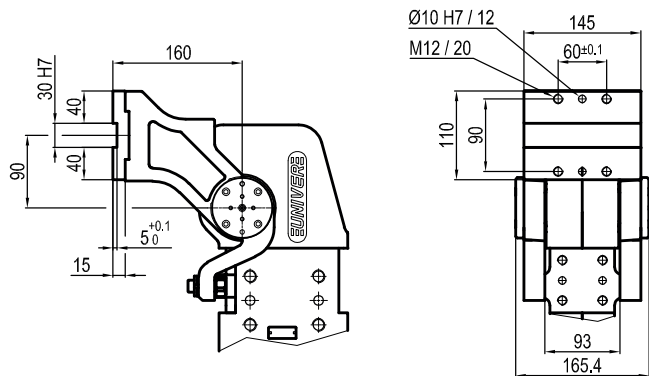
P Horizontal
Mirror of "O" position



V Vertical 180°



Z Vertical
Mirror of "V" position



UAGP 350

Pneumatic power pivot 350 Nm with brake

Pneumatic power pivot with brake typically used to rotate and dump fixtures and parts in a desired position.

- High repeatability
- Mechanical stops
- Integrated flow control system
- Double pneumatic cushioning
- Fixing ports on 4 sides
- Tapered roller bearings to support heavy load
- Orientable table in 4 pre-set positions
- Version with sensor on the brake available



CHARACTERISTICS

Operating temperature	5° ÷ 45° C
Min./Max. Operating pressure	0,4 / 0,6 MPa
Bore Ø	160 mm
Pivot rotation	45°/60°/90°/120°
Holding moment	8000 Nm
Max. torque at rotary table (0,55MPa)	350 Nm
Weight	55 kg
Pneumatic supply ports	G3/4
Body sensor	electronic (optical)
Brake sensor	electronic
Supply voltage	10 ÷ 30 Vdc
IP code	IP 65

CODIFICATION KEY

UAG	P	350	O	A	090	B	S	0	
1	2	3	4	5	6	7	8	9	10



OPTICAL SENSOR



FLOW CONTROL SYSTEM



HIGH REPEATABILITY

1

SERIES
UAG = UNICLAMP Power pivot

2

VERSION
P = Pneumatic

3

SIZE
350 = 350 Nm Ø 160 mm

4

TABLE POSITION
O = Horizontal 90°
P = Horizontal mirror of "O"
V = Vertical 180°
Z = Vertical mirror of "V"
*Max opening angle 60°

5

SENSOR
N = No sensor (with protection plate)
K = Electronic sensor PNP, M12 (DF-K)
Y = Electronic sensor PNP, M12 (DF-Y) white LED
J = Electronic sensor NPN, M12 (DF-J)
A = Electronic sensor PNP, optical for opening angle, M12 (DF-K) + brake sensor (DF-S)

6

PIVOT ROTATION
120 = 120°
090 = 90°
060 = 60°
045 = 45°

7

BRAKE SYSTEM
B = With brake
M = With brake and manual unlock

8

CONNECTIONS
S = Left side (Standard)
D = Right side
F = Front side
P = Rear side



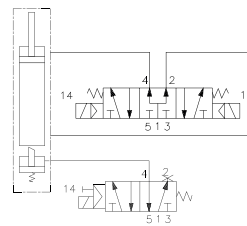
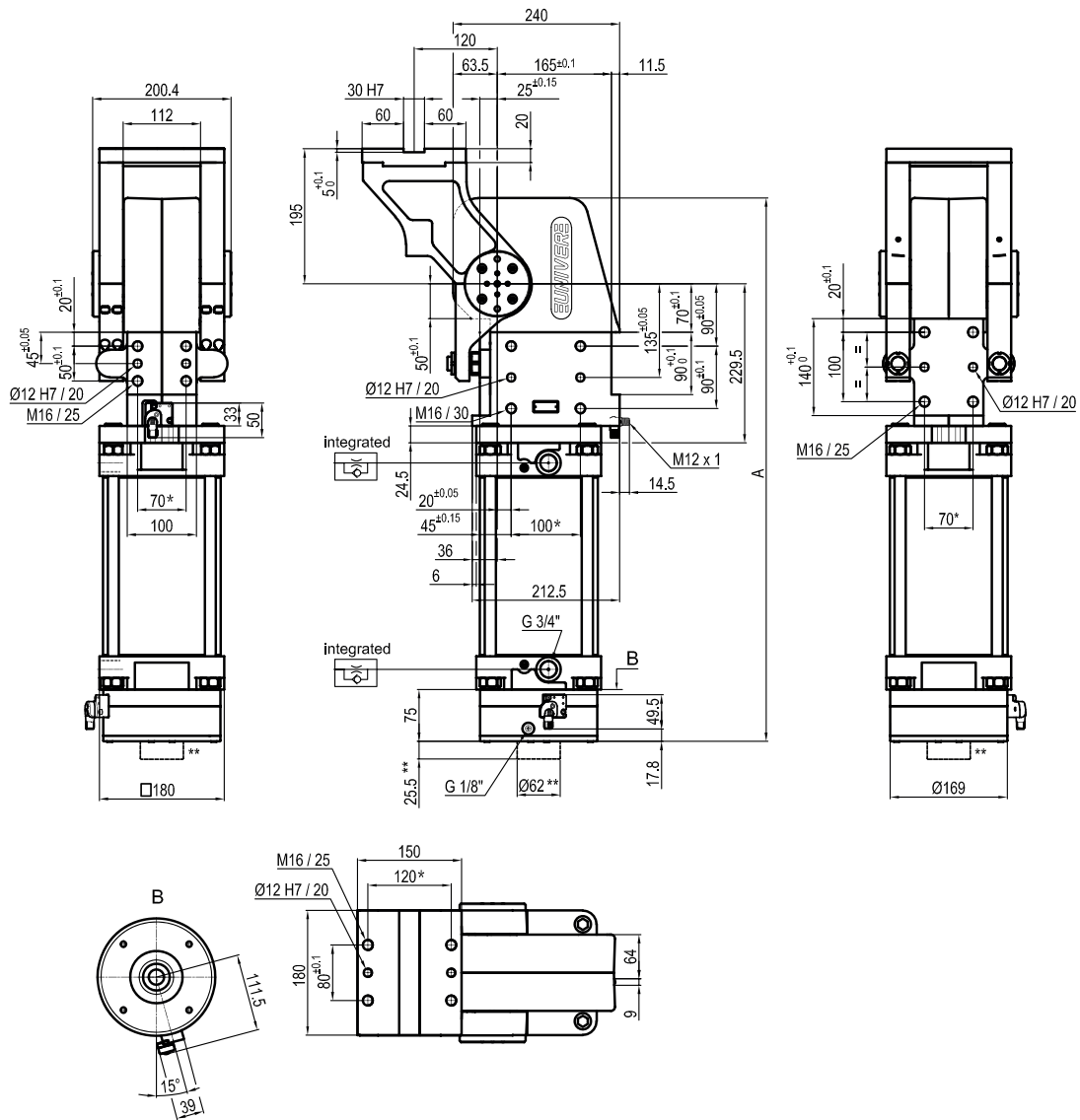
9

PRODUCT REVISION
Assigned by UNIVER

10

ATEX
X = ATEX option
See ATEX Catalogue for types and versions

Horizontal 90°



Pivot rotation (°)	A
45°	691
60°	707
90°	744
120°	784

*TOLERANCE BETWEEN DOWELS ± 0,02 BETWEEN SCREW HOLES ± 0,1
 **VERSION WITH BRAKE UNLOCK "M"

Sensors

Body



Brake



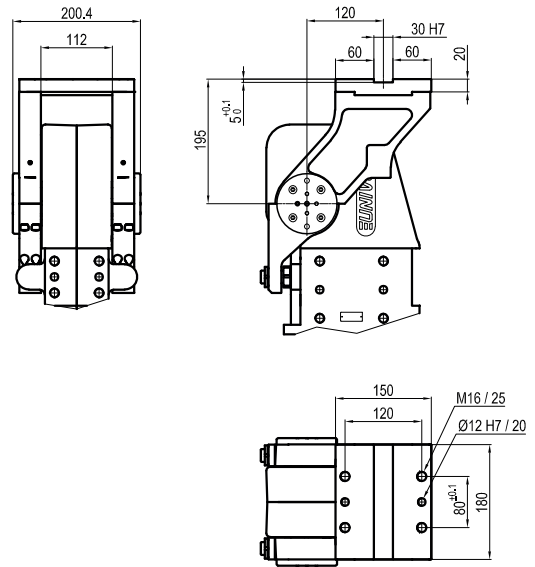
Electronic (optical)

- DF-K PNP M12
- DF-J NPN M12
- DF-Y PNP M12 White LED

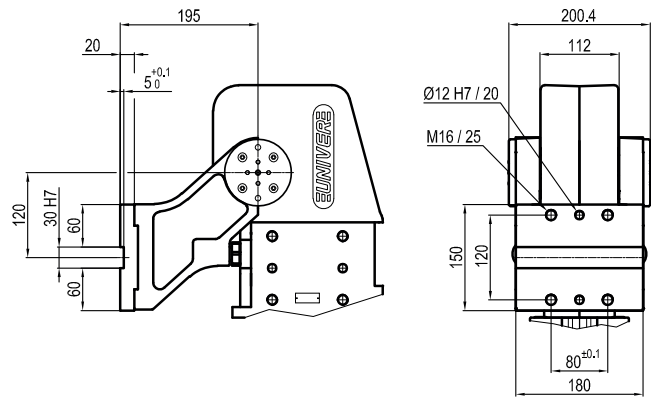
Electronic

- DF-S PNP M12

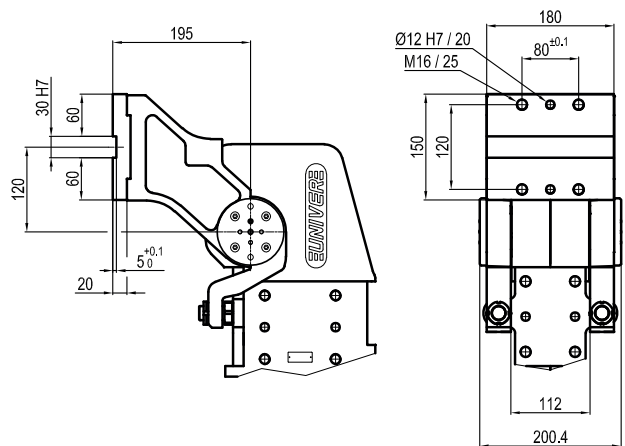
P Horizontal
Mirror of "O" position



5 **V** Vertical 180°



Z Vertical
Mirror of "V" position



UAGP 355

Pneumatic power pivot 350 Nm with brake

Pneumatic power pivot with brake typically used to rotate and dump fixtures and parts in a desired position.



- High repeatability
- Mechanical stops
- Integrated flow control system
- Double pneumatic cushioning
- Fixing ports on 4 sides
- Tapered roller bearings to support heavy load
- Orientable table in 4 pre-set positions
- Version with sensor on the brake available

CHARACTERISTICS

Operating temperature	5° ÷ 45° C
Min./Max. Operating pressure	0,4 / 0,6 MPa
Bore Ø	160 mm
Pivot rotation	45°/60°/90°/120°
Holding moment	8000 Nm
Max. torque at rotary table (0,55MPa)	350 Nm
Weight	55 kg
Pneumatic supply ports	G3/4
Body sensor	electronic (optical)
Brake sensor	electronic
Supply voltage	10 ÷ 30 Vdc
IP code	IP 65

CODIFICATION KEY

UAG	P	355	O	A	090	B	S	0	
1	2	3	4	5	6	7	8	9	10



OPTICAL SENSOR



FLOW CONTROL SYSTEM



HIGH REPEATABILITY

1

SERIES
UAG = UNICLAMP Power pivot

2

VERSION
P = Pneumatic

3

SIZE
355 = 350 Nm Ø 160 mm

4

TABLE POSITION
O = Horizontal 90°
P = Horizontal mirror of "O"
V = Vertical 180°
Z = Vertical mirror of "V"
*Max opening angle 60°

5

SENSOR
N = No sensor (with protection plate)
K = Electronic sensor PNP, M12 (DF-K)
Y = Electronic sensor PNP, M12 (DF-Y) white LED
J = Electronic sensor NPN, M12 (DF-J)
A = Electronic sensor PNP, optical for opening angle, M12 (DF-K) + brake sensor (DF-S)

6

PIVOT ROTATION
120 = 120°
090 = 90°
060 = 60°
045 = 45°

7

BRAKE SYSTEM
B = With brake
M = With brake and manual unlock

8

CONNECTIONS
S = Left side (Standard)
D = Right side
F = Front side
P = Rear side



9

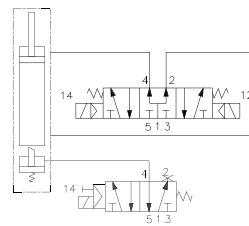
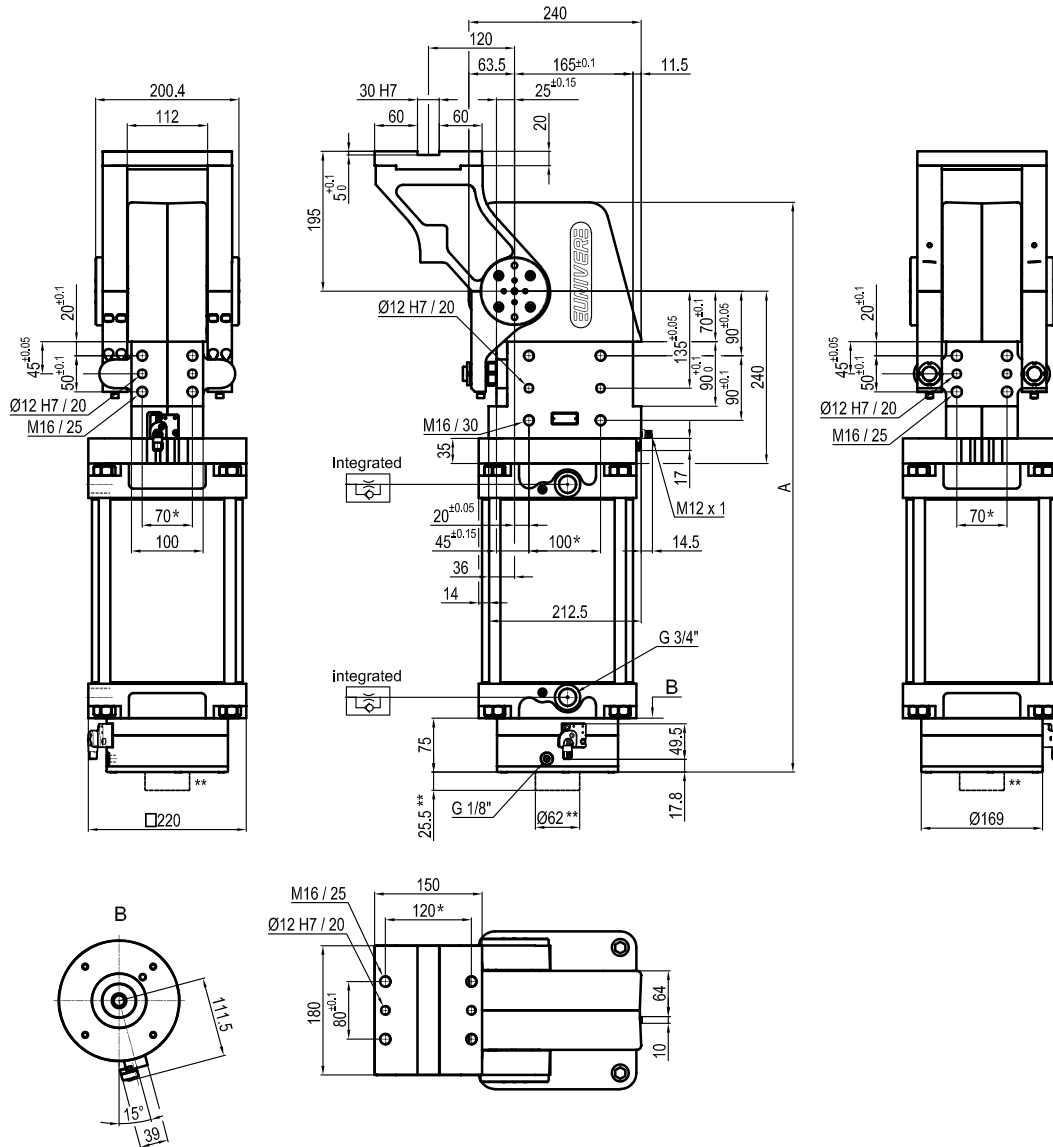
PRODUCT REVISION
Assigned by UNIVER

10

ATEX
X = ATEX option
See ATEX Catalogue for types and versions

Horizontal 90°

5



Pivot rotation (°)	A
45°	691
60°	707
90°	744
120°	784

*TOLERANCE BETWEEN DOWELS ± 0,02 BETWEEN SCREW HOLES ± 0,1
 **VERSION WITH BRAKE UNLOCK *M*

Sensors

Body



Electronic (optical)

- DF-K PNP M12
- DF-J NPN M12
- DF-Y PNP M12 White LED

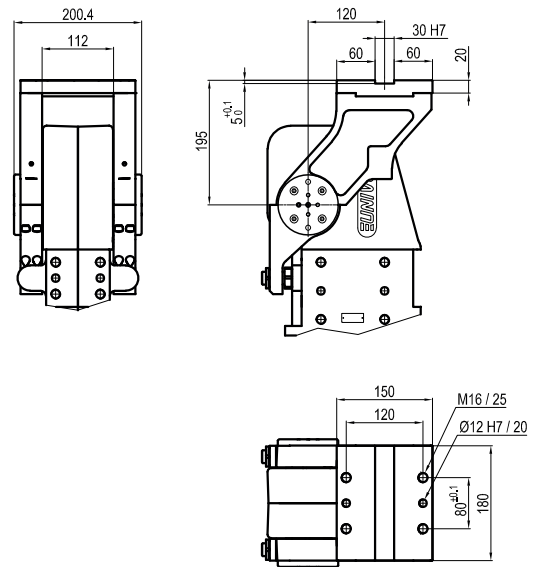
Brake



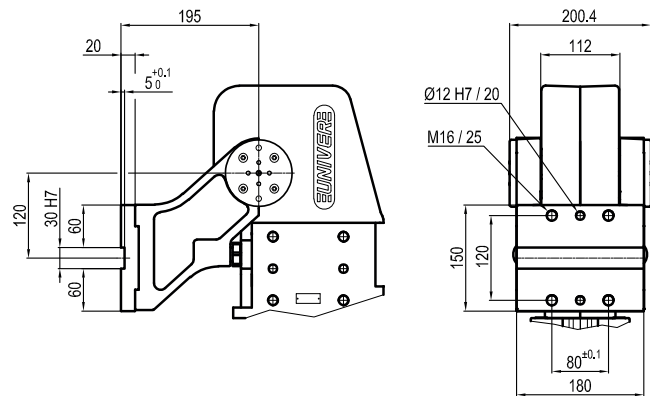
Electronic

- DF-S PNP M12

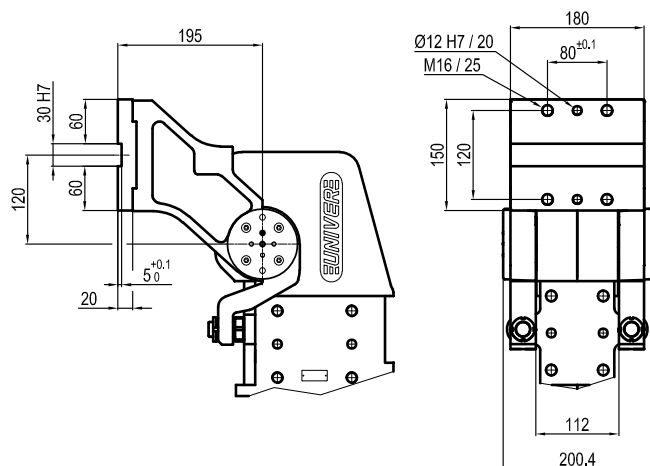
P Horizontal
Mirror of "O" position



V Vertical 180°



Z Vertical
Mirror of "V" position



UAGP 600

Pneumatic power pivot 600 Nm with brake

Pneumatic power pivot with brake typically used to rotate and dump fixtures and parts in a desired position.

- High repeatability
- Mechanical stops
- Integrated flow control system
- Double pneumatic cushioning
- Fixing ports on 4 sides
- Tapered roller bearings to support heavy load
- Orientable table in 4 pre-set positions
- Version with sensor on the brake available



CHARACTERISTICS

Operating temperature	5° ÷ 45° C
Min./Max. Operating pressure	0,4 / 0,6 MPa
Bore Ø	200 mm
Pivot rotation	45°/60°/90°/120°
Holding moment	8000 Nm
Max. torque at rotary table (0,55MPa)	600 Nm
Weight	59,7 kg
Pneumatic supply ports	G3/4
Body sensor	electronic (optical)
Brake sensor	electronic
Supply voltage	10 ÷ 30 Vdc
IP code	IP 65

CODIFICATION KEY

UAG	P	600	O	A	090	B	S	0	
1	2	3	4	5	6	7	8	9	10



OPTICAL SENSOR



FLOW CONTROL SYSTEM



HIGH REPEATABILITY

1

SERIES
UAG = UNICLAMP Power pivot

2

VERSION
P = Pneumatic

3

SIZE
600 = 600 Nm Ø 200 mm

4

TABLE POSITION
O = Horizontal 90°
P = Horizontal mirror of "O"
V = Vertical 180°
Z = Vertical mirror of "V"
*Max opening angle 60°

5

SENSOR
N = No sensor (with protection plate)
K = Electronic sensor PNP, M12 (DF-K)
Y = Electronic sensor PNP, M12 (DF-Y) white LED
J = Electronic sensor NPN, M12 (DF-J)
A = Electronic sensor PNP, optical for opening angle, M12 (DF-K) + brake sensor (DF-S)

6

PIVOT ROTATION
120 = 120°
090 = 90°
060 = 60°
045 = 45°

7

BRAKE SYSTEM
B = With brake
M = With brake and manual unlock

8

CONNECTIONS
S = Left side (Standard)
D = Right side
F = Front side
P = Rear side



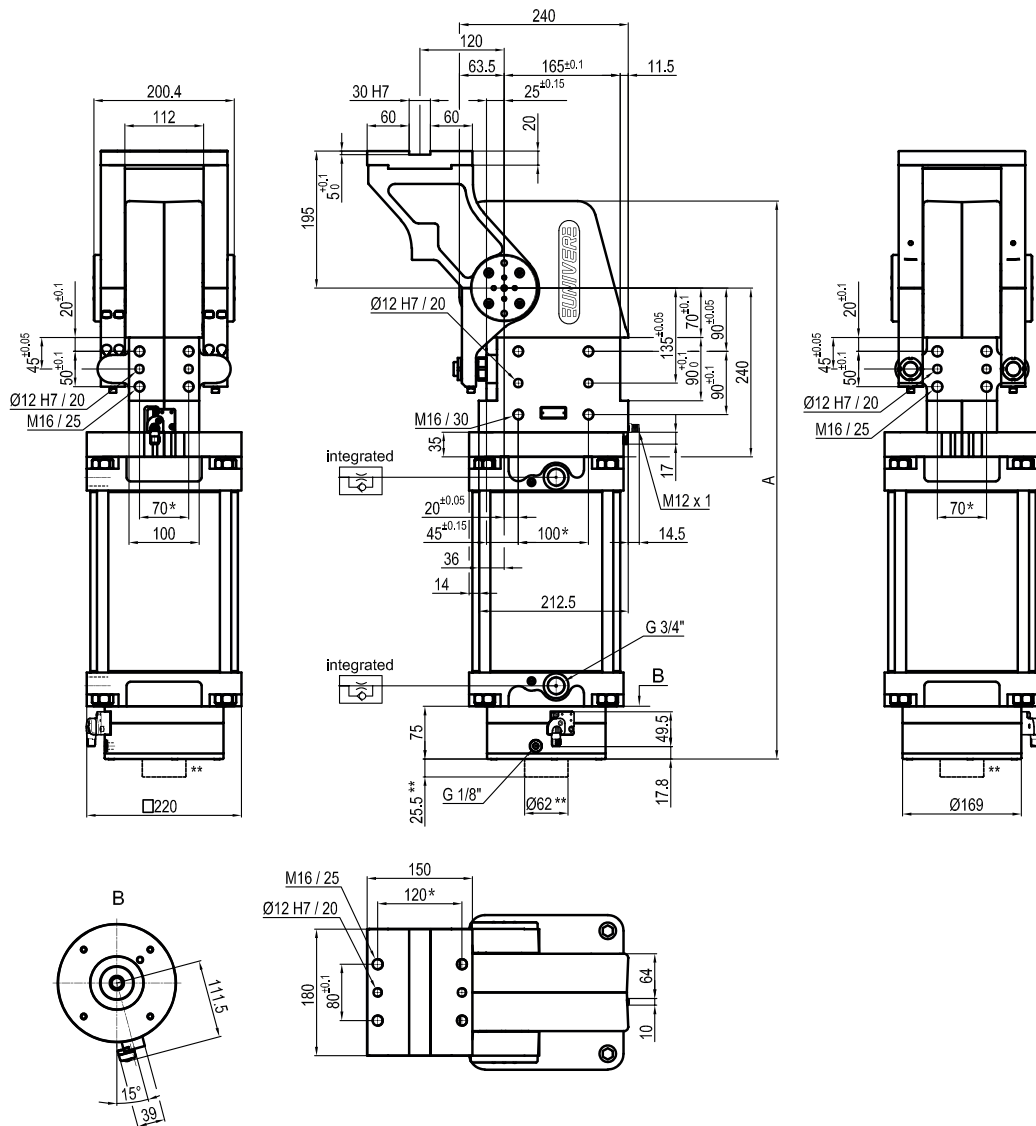
9

PRODUCT REVISION
Assigned by UNIVER

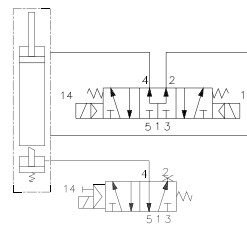
10

ATEX
X = ATEX option
See ATEX Catalogue for types and versions

Horizontal 90°



5



Pivot rotation (°)	A
45°	702
60°	718
90°	755
120°	794

*TOLERANCE BETWEEN DOWELS ± 0,02 BETWEEN SCREW HOLES ± 0,1
 **VERSION WITH BRAKE UNLOCK "M"

Sensors

Body



Electronic (optical)

- DF-K PNP M12
- DF-J NPN M12
- DF-Y PNP M12 White LED

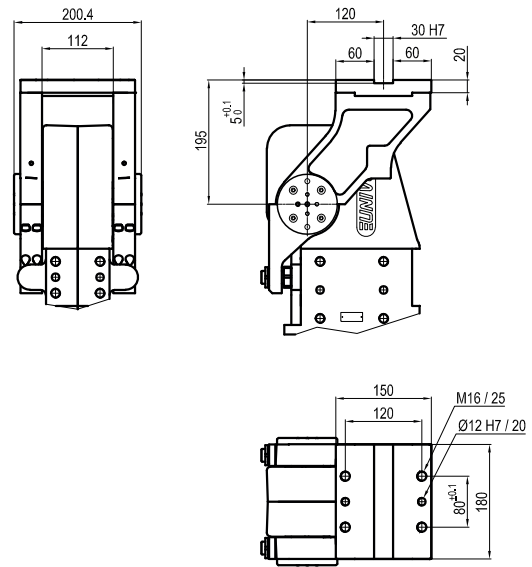
Brake



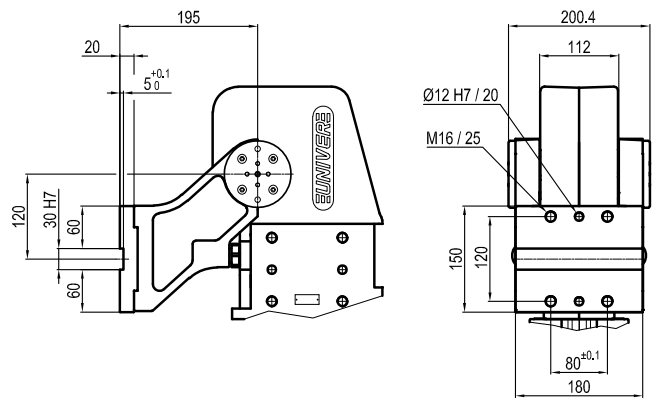
Electronic

- DF-S PNP M12

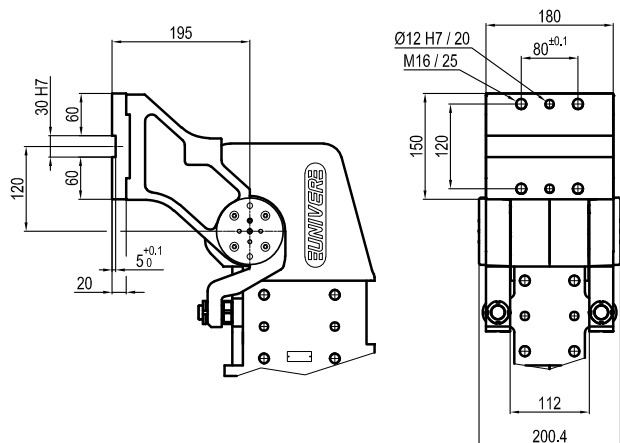
P Horizontal
Mirror of "O" position



5 **V** Vertical 180°



Z Vertical
Mirror of "V" position



UAGP 605

Pneumatic power pivot 600 Nm with brake

Pneumatic power pivot with brake typically used to rotate and dump fixtures and parts in a desired position.

- High repeatability
- Mechanical stops
- Integrated flow control system
- Double pneumatic cushioning
- Fixing ports on 4 sides
- Tapered roller bearings to support heavy load
- Orientable table in 4 pre-set positions
- Version with sensor on the brake available



CHARACTERISTICS

Operating temperature	5° ÷ 45° C
Min./Max. Operating pressure	0,4 / 0,6 MPa
Bore Ø	200 mm
Pivot rotation	45°/60°/90°/120°
Holding moment	8000 Nm
Max. torque at rotary table (0,55MPa)	600 Nm
Weight	59,9 kg
Pneumatic supply ports	G3/4
Body sensor	electronic (optical)
Brake sensor	electronic
Supply voltage	10 ÷ 30 Vdc
IP code	IP 65

CODIFICATION KEY

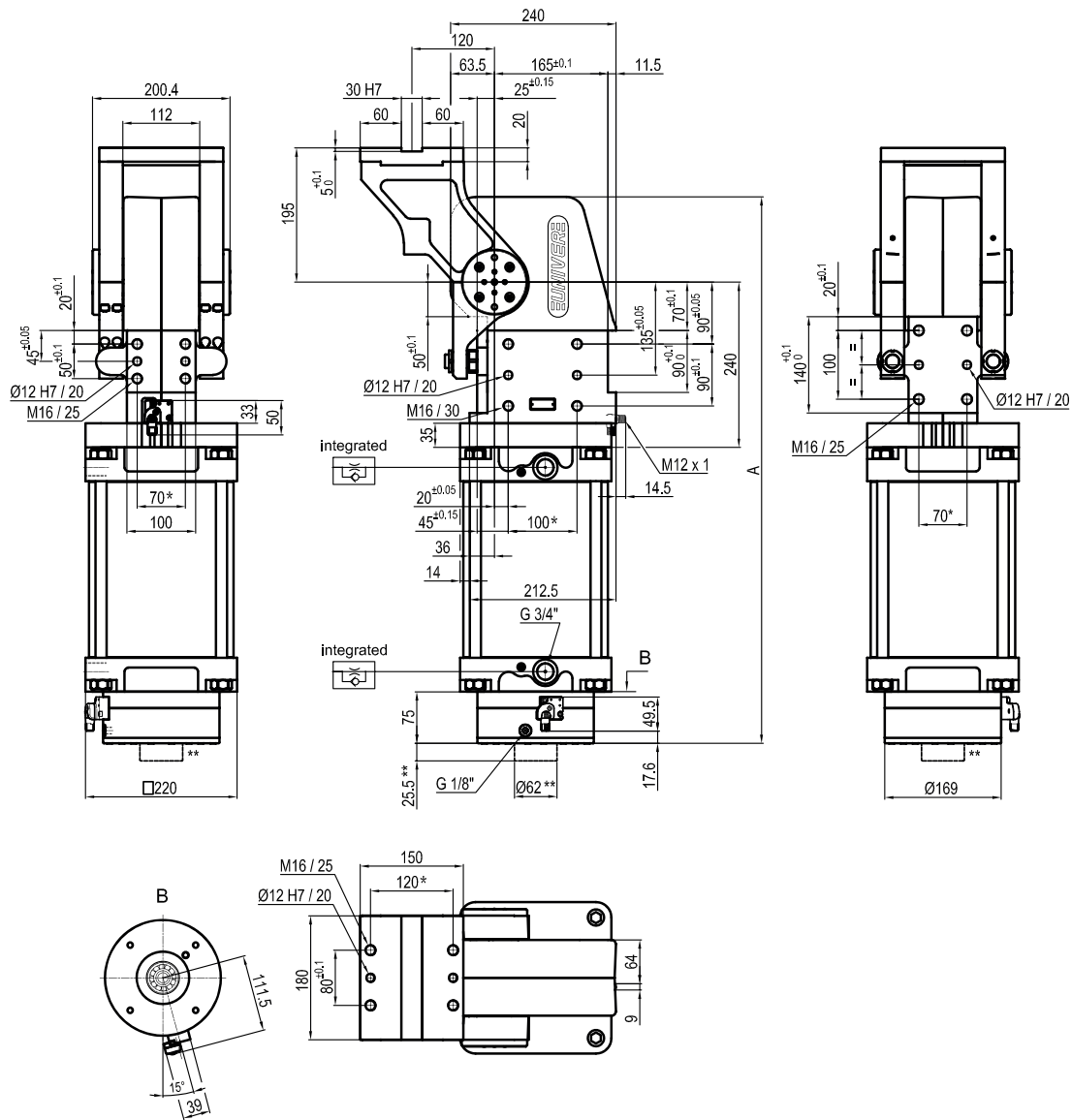
UAG	P	605	O	A	090	B	S	0	
1	2	3	4	5	6	7	8	9	10

- OPTICAL SENSOR
- FLOW CONTROL SYSTEM
- HIGH REPEATABILITY

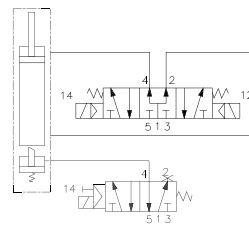
- | | | |
|--|---|---|
| <p>1 SERIES
UAG = UNICLAMP Power pivot</p> <p>2 VERSION
P = Pneumatic</p> <p>3 SIZE
605 = 600 Nm Ø 200 mm</p> <p>4 TABLE POSITION
O = Horizontal 90°
P = Horizontal mirror of "O"*
V = Vertical 180°
Z = Vertical mirror of "V"
*Max opening angle 60°</p> <p>5 SENSOR
N = No sensor (with protection plate)
K = Electronic sensor PNP, M12 (DF-K)
Y = Electronic sensor PNP, M12 (DF-Y) white LED
J = Electronic sensor NPN, M12 (DF-J)
A = Electronic sensor PNP, optical for opening angle, M12 (DF-K) + brake sensor (DF-S)</p> | <p>6 PIVOT ROTATION
120 = 120°
090 = 90°
060 = 60°
045 = 45°</p> <p>7 BRAKE SYSTEM
B = With brake
M = With brake and manual unlock</p> <p>8 CONNECTIONS
S = Left side (Standard)
D = Right side
F = Front side
P = Rear side</p> | <p>9 PRODUCT REVISION
Assigned by UNIVER</p> <p>10 ATEX
X = ATEX option
See ATEX Catalogue for types and versions</p> |
|--|---|---|

Horizontal 90°

5



*TOLERANCE BETWEEN DOWELS ± 0,02 BETWEEN SCREW HOLES ± 0,1
 **VERSION WITH BRAKE UNLOCK *M*



Pivot rotation (°)	A
45°	702
60°	718
90°	755
120°	794

Sensors

Body



Electronic (optical)

- DF-K PNP M12
- DF-J NPN M12
- DF-Y PNP M12 White LED

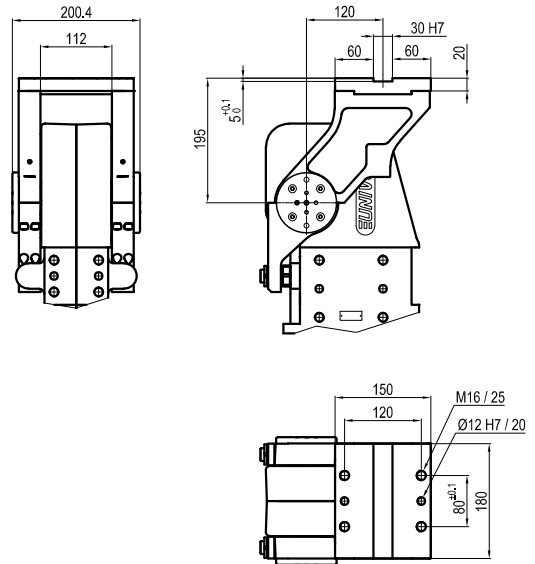
Brake



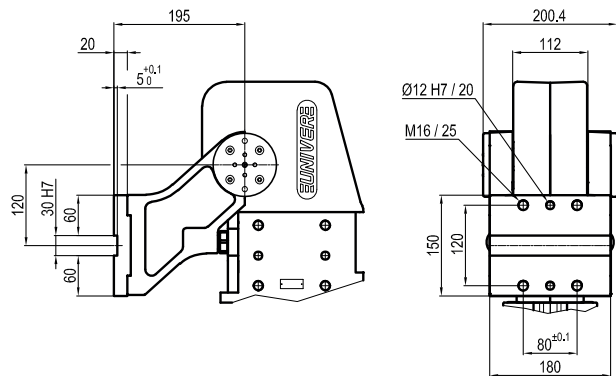
Electronic

- DF-S PNP M12

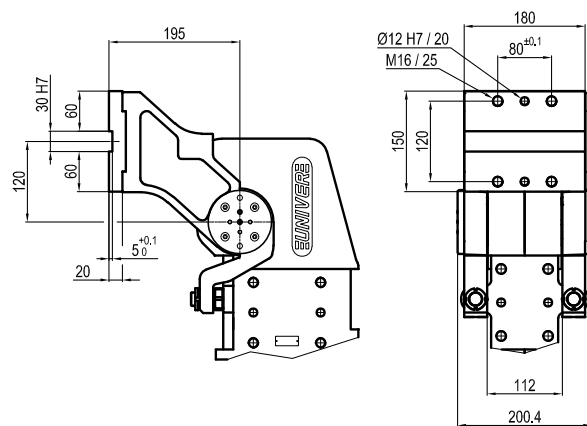
P Horizontal
Mirror of "O" position



V Vertical 180°



Z Vertical
Mirror of "V" position



UAGR 063

Adjustable pneumatic power pivot 16 Nm without brake

Adjustable pneumatic power pivot without brake typically used to rotate and dump fixtures and parts in a desired position.

- High repeatability
- Mechanical stops
- Double pneumatic cushioning
- Fixing ports on 4 sides
- Roller bearings to support heavy load
- Orientable table in 4 pre-set positions
- 120° adjustable pivot rotation



5

CHARACTERISTICS

Operating temperature	5° ÷ 45° C
Min./Max. Operating pressure	0,4 / 0,6 MPa
Bore Ø	63 mm
Pivot rotation	0° ÷ 120°
Holding moment	1500 Nm
Max. torque at rotary table (0,55MPa)	16 Nm
Weight	5 kg
Pneumatic supply ports	G1/4
Sensor	electronic (optical)
Supply voltage	10 ÷ 30 Vdc
IP code	IP 65

CODIFICATION KEY

UAG | R | 063 | O | K | OR | W | 0 | |

1 2 3 4 5 6 7 8 9



OPTICAL SENSOR



HIGH REPEATABILITY



ANGLE ADJUSTMENT

1 SERIES
UAG = UNICLAMP Power pivot

2 VERSION
R = Pneumatic adjustable

3 SIZE
063 = 16 Nm Ø 63 mm

4 TABLE POSITION
O = Horizontal 90° *
P = Horizontal mirror of "O" **
V = Vertical 180°
Z = Vertical mirror of "V"
*Max opening angle 105°
**Max opening angle 60°

5 SENSOR
N = No sensor (with protection plate)
K = Electronic sensor PNP, M12 (DF-K)
Y = Electronic sensor PNP, M12 (DF-Y) white LED
J = Electronic sensor NPN, M12 (DF-J)

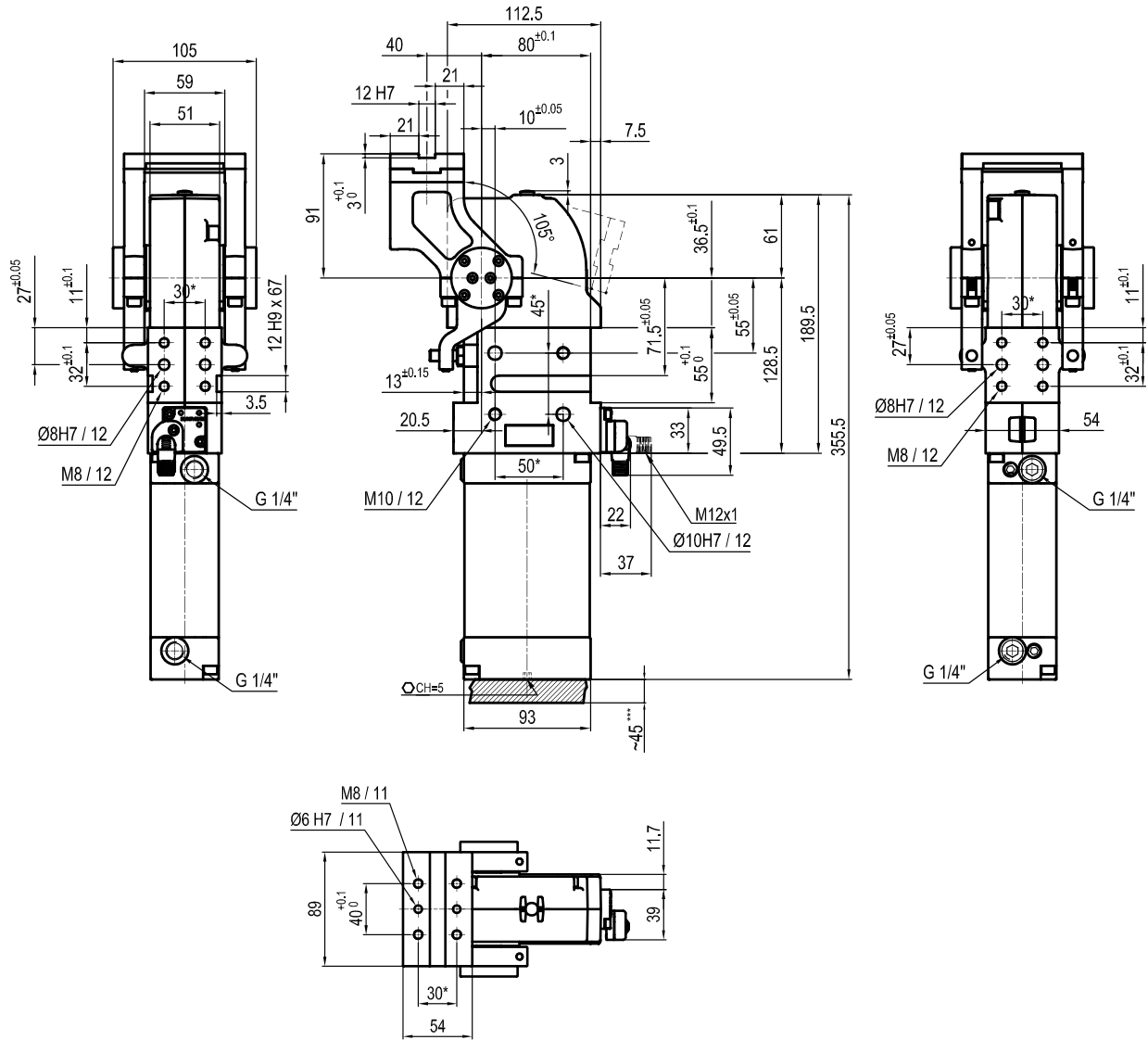
6 PIVOT ROTATION
OR = 120° adjustable

7 BRAKE SYSTEM
W = Without brake

8 PRODUCT REVISION
Assigned by UNIVER

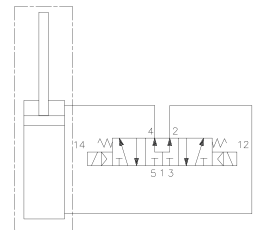
9 ATEX
X = ATEX option
See ATEX Catalogue for types and versions

○ Horizontal 90°



5

*TOLERANCE BETWEEN DOWELS ± 0,02 BETWEEN SCREW HOLES ± 0,1



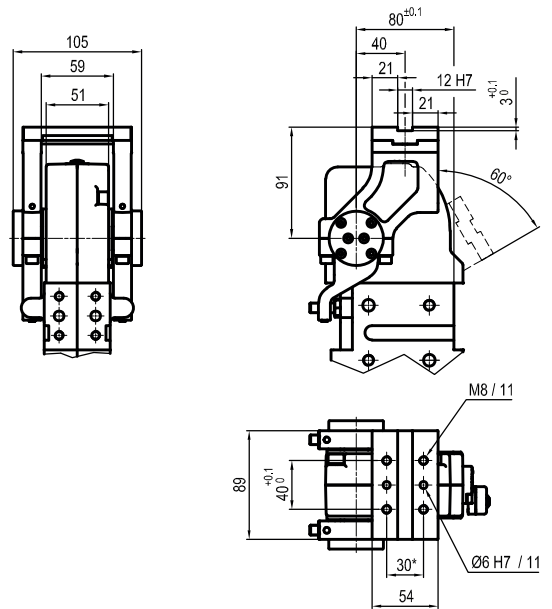
Sensors



Electronic (optical)

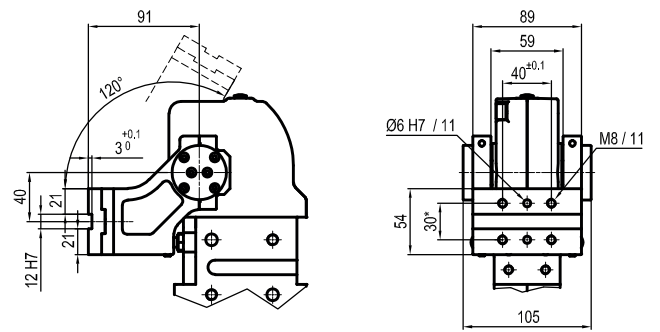
- DF-K PNP M12
- DF-J NPN M12
- DF-Y PNP M12 White LED

P Horizontal
Mirror of "O" position

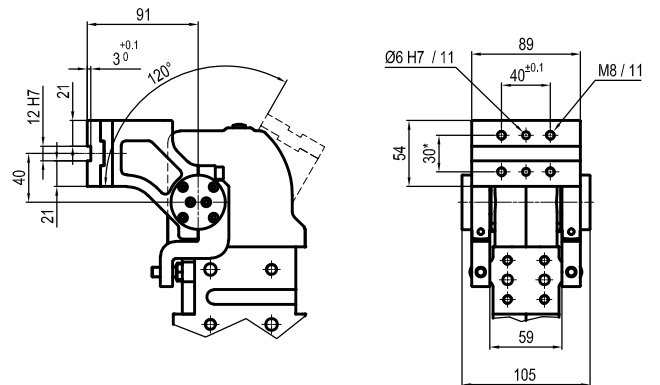


5

V Vertical 180°



Z Vertical
Mirror of "V" position



6

UNICLAMP

PNEUMATIC PIN CLAMPS

Ø32-63mm

USP32	2
USP50	5
USP63	9

Orientable hook Ø50mm

USS50	11
-------	----

High compensation Ø63mm

USS63	14
-------	----

Laser beam applications Ø50mm

USSL50	17
--------	----

Compact Ø40mm

USC40	20
USR40	22

Vanishing hook Ø50mm

UST50	25
-------	----

Horizontal Ø50mm

USP50U	27
--------	----

Vanishing hook and pin Ø63mm

LUP63	29
-------	----

Manual Ø50mm

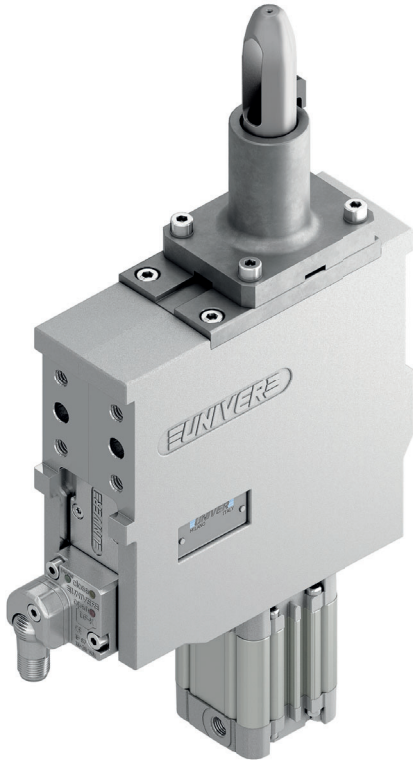
USL50	31
-------	----

USP 32

Pneumatic pin clamp Ø32 mm

Pneumatic pin clamps mainly designed for centring and clamping metal sheets in BIW underbody applications.

- Integrated compensation up to 1,2 mm
- Double metal scraper for protection against dust and welding debris
- Toggle-joint mechanism
- High repeatability
- High wear resistance steel pin
- Electronic sensor
- Available version with plate machined from solid (no shimming)



6

CHARACTERISTICS

Operating temperature	5° ÷ 45° C
Min./Max. Operating pressure	0,4 / 0,6 MPa
Bore Ø	32 mm
Clamping force	1500 N
Weight (without plate, pin and hook)	2,6 kg
Pneumatic supply ports	G1/8
Sensor	electronic (optical)
Supply voltage	10 ÷ 30 Vdc
IP code	IP 65

CODIFICATION KEY

US | P | 32 | J | 3 | 1 | - | K | 0 | | |

1 2 3 4 5 6 7 8 9 10



IRREVERSIBLE



LIGHTWEIGHT



COMPENSATION



METAL SCRAPER



OPTICAL SENSOR



HIGH REPEATABILITY

1

SERIES
US = UNICLAMP Pin clamp with compensation

2

VERSION
P = Pneumatic

3

SIZE
32 = Ø32 mm

4

MODEL
J = Standard
R = With mechanical locking/unlocking device

5

PIN DIAMETER
1 < = Ø18 mm
2 = Ø20 mm
3 = Ø25 mm
4 = Ø30 mm
5 = Ø35 mm
6 = Ø40 mm
For pin Ø outside the mentioned range, please contact our sales department

6

LOCATING PIN
0 = Locating pin not included
1 = Locating pin included

7

PROGRESSIVE NUMBERING
Progressive numbers for special products are assigned by the Sales Department

8

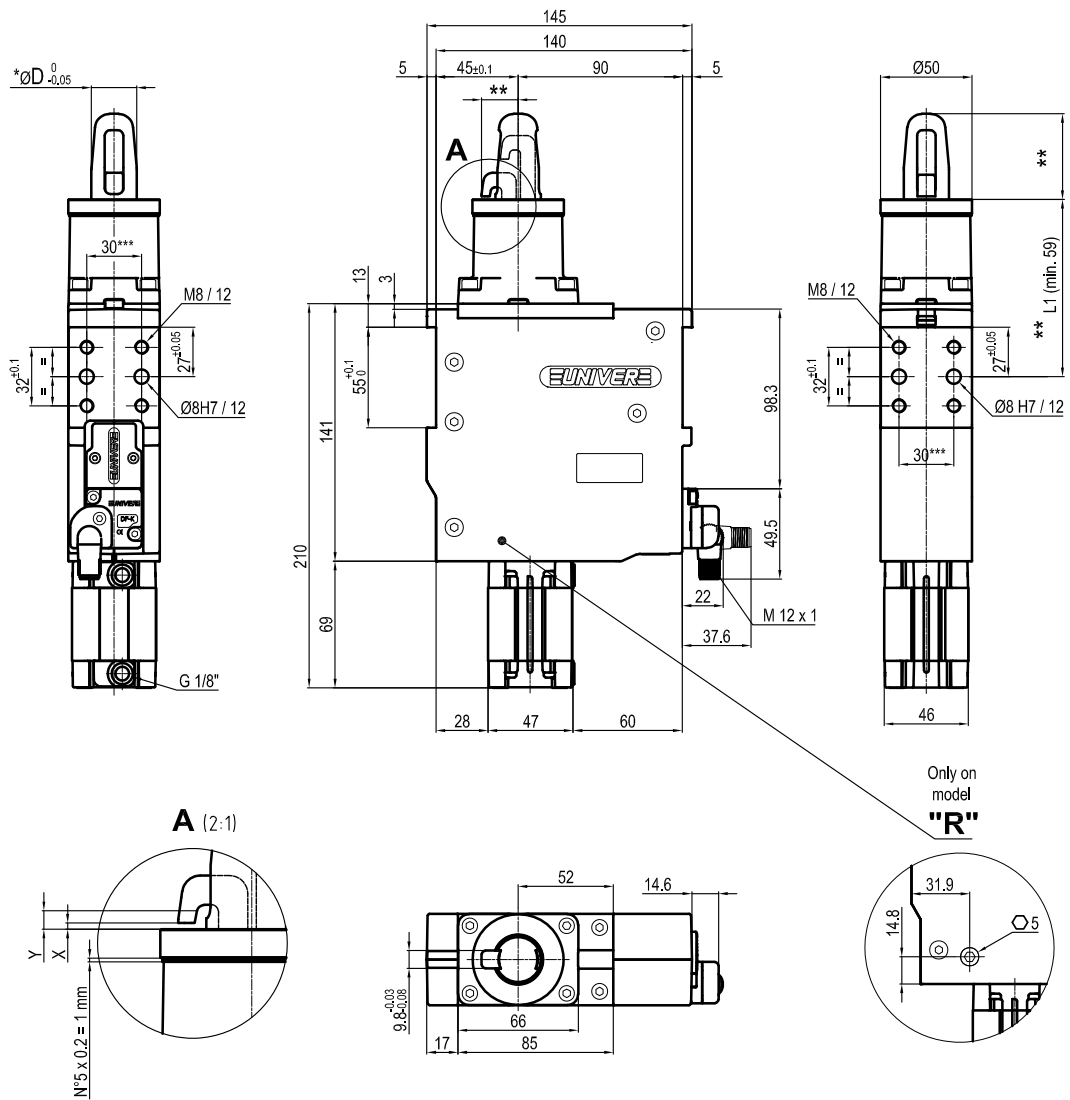
SENSOR
N = No sensor (with protection plate)
K = Electronic sensor PNP, M12 (DF-K)
J = Electronic sensor NPN, optical (DF-J)
Y = Electronic sensor PNP, M12 (DF-Y) white LED

9

PRODUCT REVISION
Assigned by UNIVER

10

ATEX
X = ATEX option
See ATEX Catalogue for types and versions



6

*Pin Option	ØD
1	18
2	20
3	25
4	30
5	35
6	40

X = Metal sheet
 Y = Clamping range (X + 1,2 mm Max.)
 VERSION WITHOUT PIN AND HOOK AVAILABLE UPON REQUEST
 ** MISSING DIMENSION TO BE DEFINED ACCORDING TO CUSTOMER SPECIFICATIONS
 *** TOLERANCE BETWEEN DOWEL HOLES ± 0,02, BETWEEN SCREW HOLES ± 0,1

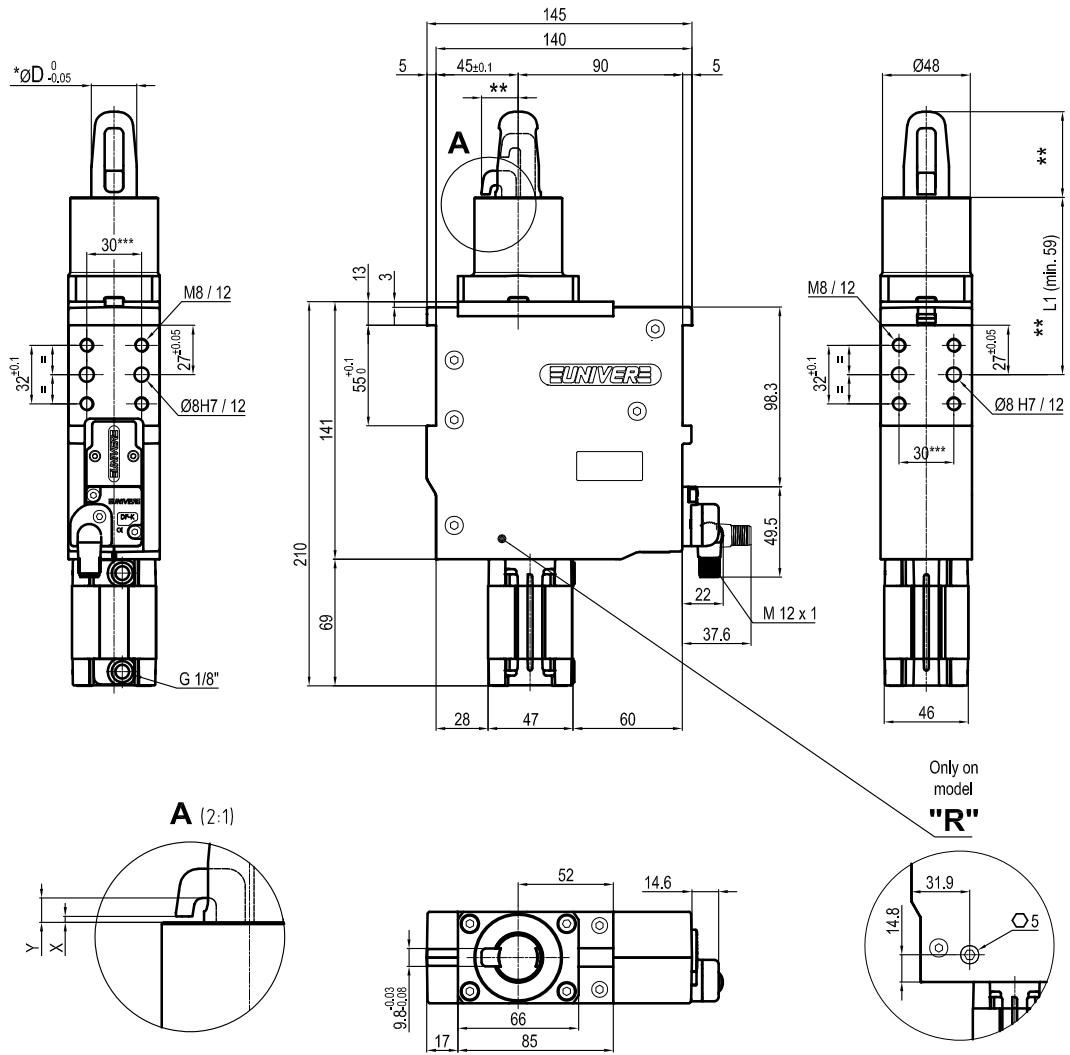
Sensors



Electronic (optical)

- DF-K PNP M12
- DF-J NPN M12
- DF-Y PNP M12 White LED

Version with plate machined from solid (no shimming)



6

X = Metal sheet
 Y = Clamping range (X + 1,2 mm Max.)
 VERSION WITHOUT PIN AND HOOK AVAILABLE UPON REQUEST
 ** MISSING DIMENSION TO BE DEFINED ACCORDING TO CUSTOMER SPECIFICATIONS
 *** TOLERANCE BETWEEN DOWEL HOLES ± 0,02, BETWEEN SCREW HOLES ± 0,1

*Pin Option	ØD
1	18
2	20
3	25
4	30
5	35
6	40

Sensors



Electronic (optical)

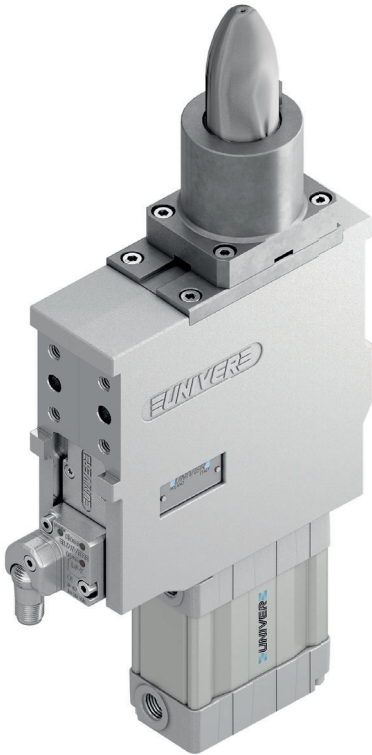
- DF-K PNP M12
- DF-J NPN M12
- DF-Y PNP M12 White LED

USP 50

Pneumatic pin clamp Ø50 mm

Pneumatic pin clamps mainly designed for centring and clamping metal sheets in BIW underbody applications.

- Integrated compensation up to 2,3 mm
- Double metal scraper for protection against dust and welding debris
- Toggle-joint mechanism
- High repeatability
- High wear resistance steel pin
- Electronic sensor
- Available version with plate machined from solid (no shimming)



CHARACTERISTICS

Operating temperature	5° ÷ 45° C
Min./Max. Operating pressure	0,4 / 0,6 MPa
Bore Ø	50 mm
Clamping force	3500 N
Weight (without plate, pin and hook)	2,9 kg
Pneumatic supply ports	G1/4 on both sides
Sensor	electronic (optical)
Supply voltage	10 ÷ 30 Vdc
IP code	IP 65

CODIFICATION KEY

US | P | 50 | J | 3 | 1 | - | K | 0 | | |

1 2 3 4 5 6 7 8 9



IRREVERSIBLE



LIGHTWEIGHT



COMPENSATION



METAL SCRAPER



OPTICAL SENSOR



HIGH REPEATABILITY

1

SERIES
US = UNICLAMP Pin clamp with compensation

2

VERSION
P = Pneumatic

3

SIZE
50 = Ø50 mm

4

MODEL
J = Standard
R = With mechanical locking/unlocking device

5

PIN DIAMETER
1 < = Ø18 mm
2 = Ø20 mm
3 = Ø25 mm
4 = Ø30 mm
5 = Ø35 mm
6 = Ø40 mm
For pin Ø outside the mentioned range, please contact our sales department

6

LOCATING PIN
0 = Locating pin not included
1 = Locating pin included

7

PROGRESSIVE NUMBERING
Progressive numbers for special products are assigned by the Sales Department

8

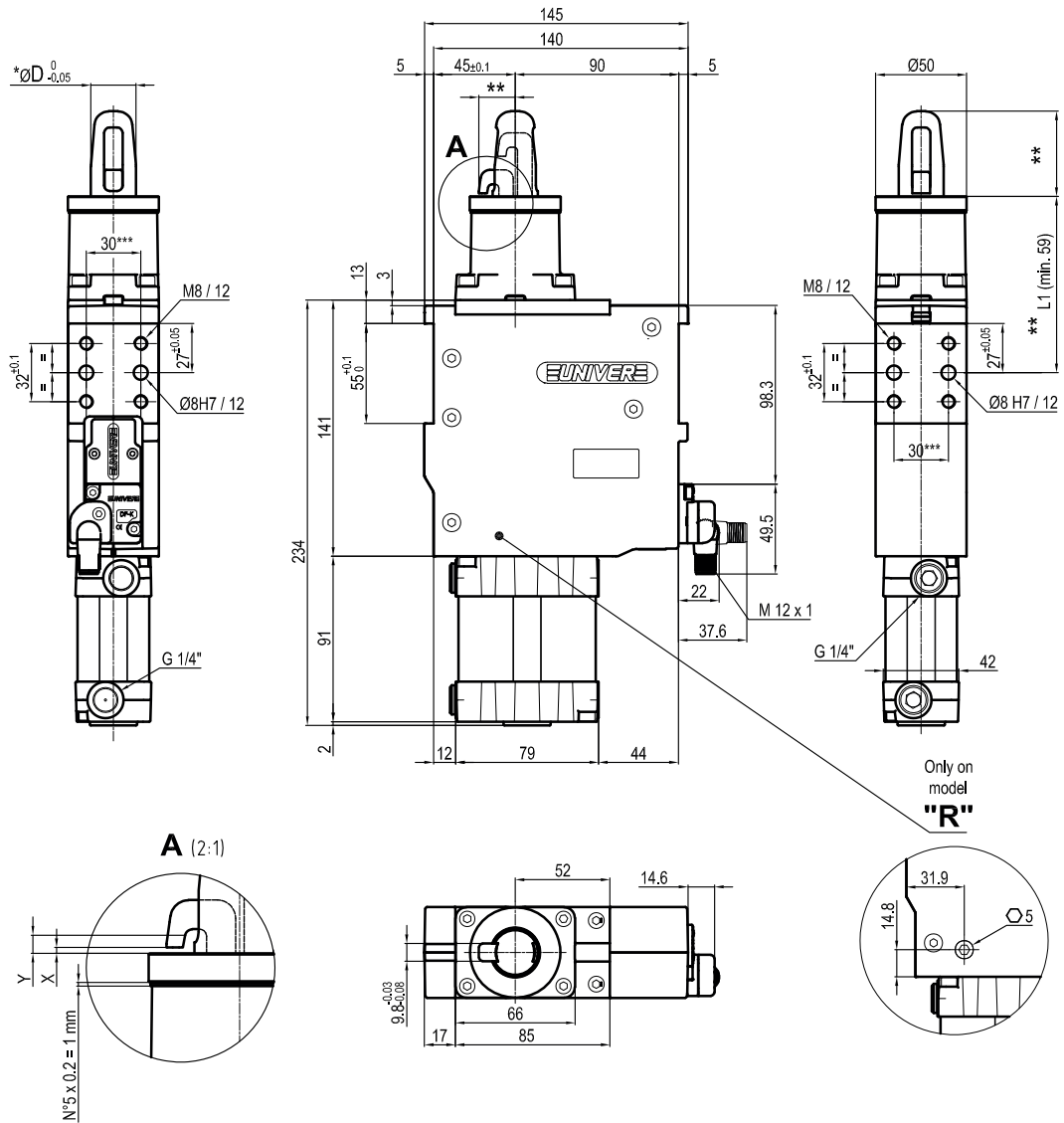
SENSOR
N = No sensor (with protection plate)
K = Electronic sensor PNP, M12 (DF-K)
J = Electronic sensor NPN, optical (DF-J)
Y = Electronic sensor PNP, M12 (DF-Y) white LED

9

PRODUCT REVISION
Assigned by UNIVER

10

ATEX
X = ATEX option
See ATEX Catalogue for types and versions



6

X = Metal sheet
 Y = Clamping range (X + 2,3 mm Max.)
 VERSION WITHOUT PIN AND HOOK AVAILABLE UPON REQUEST
 ** MISSING DIMENSION TO BE DEFINED ACCORDING TO CUSTOMER SPECIFICATIONS
 *** TOLERANCE BETWEEN DOWEL HOLES ± 0,02, BETWEEN SCREW HOLES ± 0,1

*Pin Option	ØD
1	18
2	20
3	25
4	30
5	35
6	40

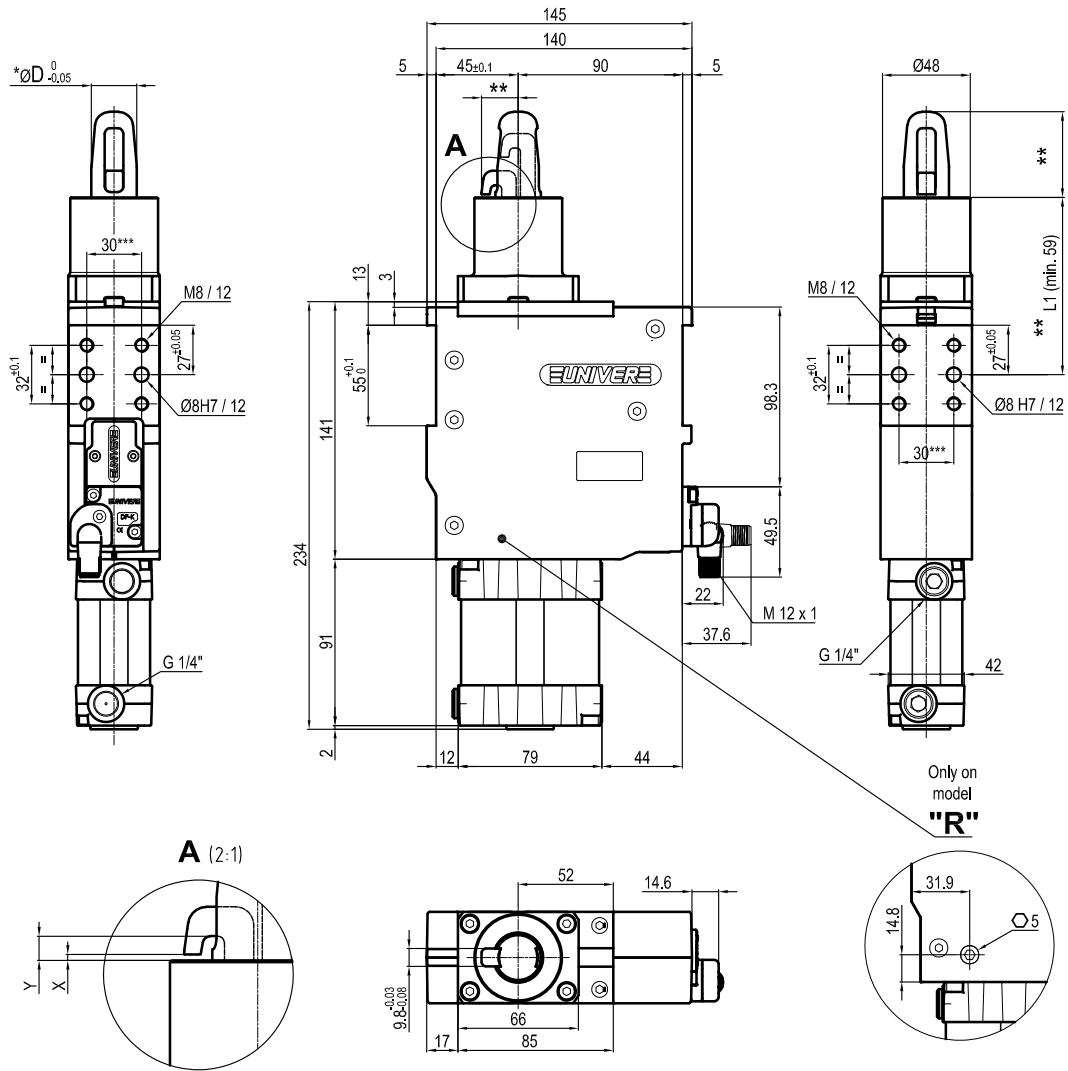
Sensors



Electronic (optical)

- DF-K PNP M12
- DF-J NPN M12
- DF-Y PNP M12 White LED

Version with plate machined from solid (no shimming)



6

X = Metal sheet
 Y = Clamping range (X + 2,3 mm Max.)
 VERSION WITHOUT PIN AND HOOK AVAILABLE UPON REQUEST
 ** MISSING DIMENSION TO BE DEFINED ACCORDING TO CUSTOMER SPECIFICATIONS
 *** TOLERANCE BETWEEN DOWEL HOLES ± 0,02, BETWEEN SCREW HOLES ± 0,1

*Pin Option	ØD
1	18
2	20
3	25
4	30
5	35
6	40

Sensors



Electronic (optical)

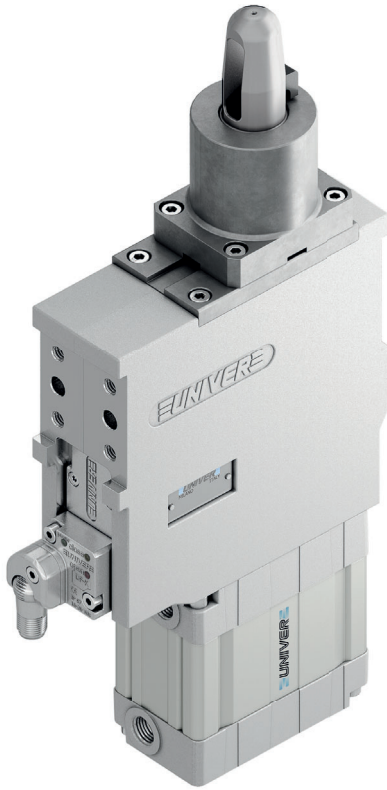
- DF-K PNP M12
- DF-J NPN M12
- DF-Y PNP M12 White LED

USP 63

Pneumatic pin clamp Ø63 mm, high compensation

Pneumatic pin clamps with high compensation system mainly designed for centering and clamping metal sheets in BIW underbody applications.

- Integrated compensation up to 6 mm
- Double metal scraper for protection against dust and welding debris
- Toggle-joint mechanism
- High repeatability
- High wear resistance steel pin
- Electronic sensor
- Available version with plate machined from solid (no shimming)



6

CHARACTERISTICS

Operating temperature	5° ÷ 45° C
Min./Max. Operating pressure	0,4 / 0,6 MPa
Bore Ø	63 mm
Clamping force	3500 N
Weight (without plate, pin and hook)	3,1kg
Pneumatic supply ports	G1/4 on both sides
Sensor	electronic (optical)
Supply voltage	10 ÷ 30 Vdc
IP code	IP 65

CODIFICATION KEY

US | P | 63 | J | 3 | 1 | - | K | 0 | | |

1 2 3 4 5 6 7 8 9 10



IRREVERSIBLE



LIGHTWEIGHT



COMPENSATION



METAL SCRAPER



OPTICAL SENSOR



HIGH REPEATABILITY

1

SERIES

US = UNICLAMP Pin clamp with compensation

2

VERSION

P = Pneumatic

3

SIZE

63 = Ø63 mm

4

MODEL

J = Standard
R = With mechanical locking/unlocking device

5

PIN DIAMETER

1 < = Ø18 mm
2 = Ø20 mm
3 = Ø25 mm
4 = Ø30 mm
5 = Ø35 mm
6 = Ø40 mm

For pin Ø outside the mentioned range, please contact our sales department

6

LOCATING PIN

0 = Locating pin not included
1 = Locating pin included

7

PROGRESSIVE NUMBERING

Progressive numbers for special products are assigned by the Sales Department

8

SENSOR

N = No sensor (with protection plate)
K = Electronic sensor PNP, M12 (DF-K)
J = Electronic sensor NPN, optical (DF-J)
Y = Electronic sensor PNP, M12 (DF-Y) white LED

9

PRODUCT REVISION

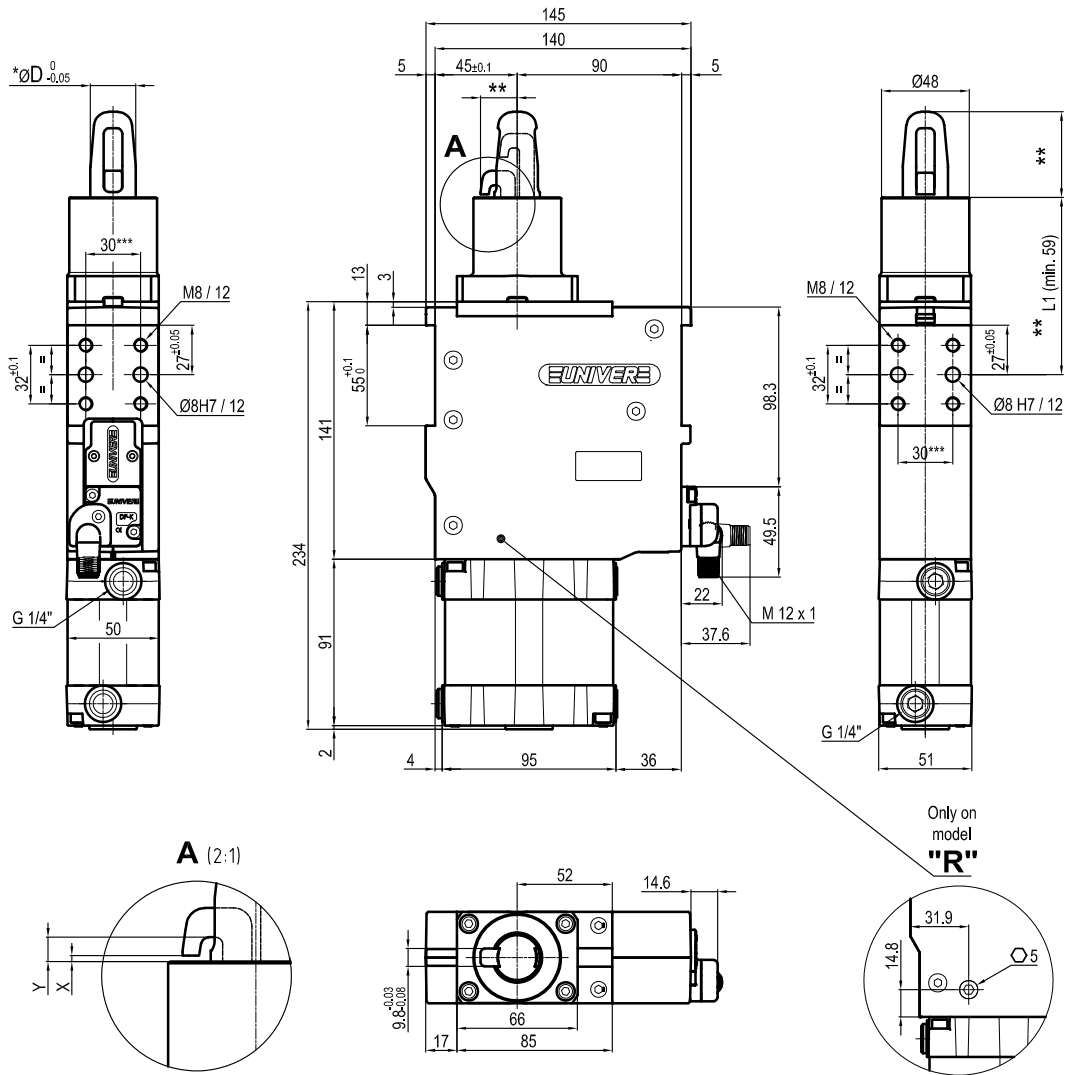
Assigned by UNIVER

10

ATEX

X = ATEX option
See ATEX Catalogue for types and versions

Version with plate machined from solid (no shimming)



6

X = Metal sheet
 Y = Clamping range (X + 6 mm Max.)
 VERSION WITHOUT PIN AND HOOK AVAILABLE UPON REQUEST
 ** MISSING DIMENSION TO BE DEFINED ACCORDING TO CUSTOMER SPECIFICATIONS
 *** TOLERANCE BETWEEN DOWEL HOLES ± 0,02, BETWEEN SCREW HOLES ± 0,1

*Pin Option	ØD
1	18
2	20
3	25
4	30
5	35
6	40

Sensors



Electronic (optical)

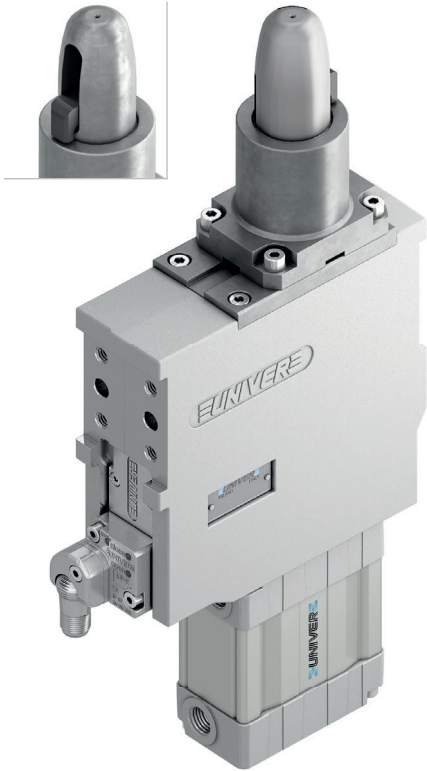
- DF-K PNP M12
- DF-J NPN M12
- DF-Y PNP M12 White LED

USS 50

Pneumatic pin clamp Ø50 mm, orientable hook

Pneumatic pin clamps with orientable hook position and high compensation system mainly designed for centering and clamping metal sheets in BIW underbody applications.

- Integrated compensation up to 2,3 mm
- Double metal scraper for protection against dust and welding debris
- Toggle-joint mechanism
- High repeatability
- High wear resistance steel pin
- Electronic sensor
- Hook position: 0/180°
- Available version with plate machined from solid (no shimming)



CHARACTERISTICS

Operating temperature	5° ÷ 45° C
Min./Max. Operating pressure	0,4 / 0,6 MPa
Bore Ø	50 mm
Clamping force	3500 N
Weight (without plate, pin and hook)	2,9 kg
Pneumatic supply ports	G1/4 on both sides
Sensor	electronic (optical)
Supply voltage	10 ÷ 30 Vdc
IP code	IP 65

6

CODIFICATION KEY

US	S	50	J	B	1	0	-	K	0	
1	2	3	4	5	6	7	8	9	10	11



IRREVERSIBLE



LIGHTWEIGHT



COMPENSATION



METAL SCRAPER



OPTICAL SENSOR



HIGH REPEATABILITY



0/180°

1

SERIES

US = UNICLAMP Pin clamp with compensation

2

VERSION

S = Pneumatic with orientable hook

3

SIZE

50 = Ø50 mm

4

MODEL

J = Standard
R = With mechanical locking/unlocking device

5

HOOK POSITION

B = Standard
C = Rotated by 180°

6

PIN DIAMETER

1 < = Ø18 mm
2 = Ø20 mm
3 = Ø25 mm
4 = Ø30 mm
5 = Ø35 mm
6 = Ø40 mm

For pin Ø outside the mentioned range, please contact our sales department

7

LOCATING PIN

0 = Locating pin not included
1 = Locating pin included

8

PROGRESSIVE NUMBERING

Progressive numbers for special products are assigned by the Sales Department

9

SENSOR

N = No sensor (with protection plate)
K = Electronic sensor PNP, M12 (DF-K)
J = Electronic sensor NPN, optical (DF-J)
Y = Electronic sensor PNP, M12 (DF-Y) white LED

10

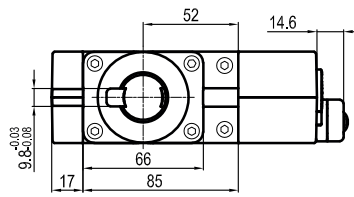
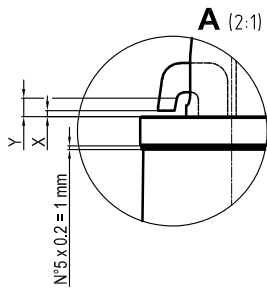
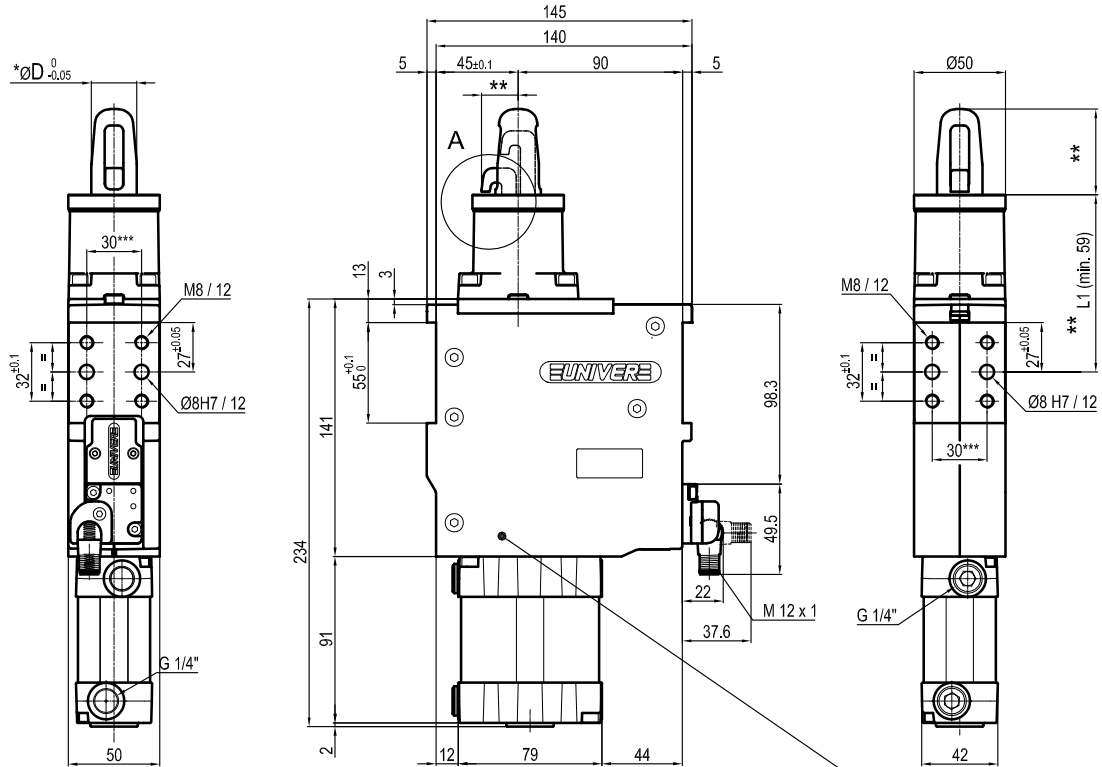
PRODUCT REVISION

Assigned by UNIVER

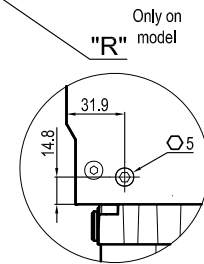
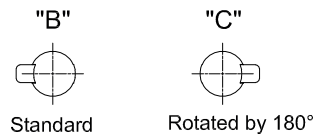
11

ATEX

X = ATEX option
See ATEX Catalogue for types and versions



Hook position



*Pin Option	ØD
1	18
2	20
3	25
4	30
5	35
6	40

X = Metal sheet
 Y = Clamping range (X + 2,3 mm Max.)
 VERSION WITHOUT PIN AND HOOK AVAILABLE UPON REQUEST
 ** MISSING DIMENSION TO BE DEFINED ACCORDING TO CUSTOMER SPECIFICATIONS
 *** TOLERANCE BETWEEN DOWEL HOLES ± 0,02, BETWEEN SCREW HOLES ± 0,1

Sensors



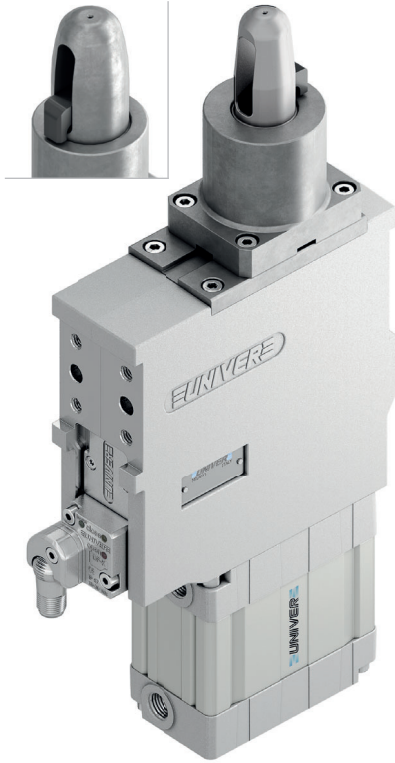
Electronic (optical)

- DF-K PNP M12
- DF-J NPN M12
- DF-Y PNP M12 White LED

USS 63

Pneumatic pin clamp Ø63 mm, orientable hook, high compensation

Pneumatic pin clamps with orientable hook position and high compensation system mainly designed for centering and clamping metal sheets in BIW underbody applications.



- Integrated compensation up to 6 mm
- Double metal scraper for protection against dust and welding debris
- Toggle-joint mechanism
- High repeatability
- High wear resistance steel pin
- Electronic sensor
- Hook position: 0/180°
- Available version with plate machined from solid (no shimming)

CHARACTERISTICS

Operating temperature	5° ÷ 45° C
Min./Max. Operating pressure	0,4 / 0,6 MPa
Bore Ø	63 mm
Clamping force	3500 N
Weight (without plate, pin and hook)	3,1 kg
Pneumatic supply ports	G1/4 on both sides
Sensor	electronic (optical)
Supply voltage	10 ÷ 30 Vdc
IP code	IP 65

CODIFICATION KEY

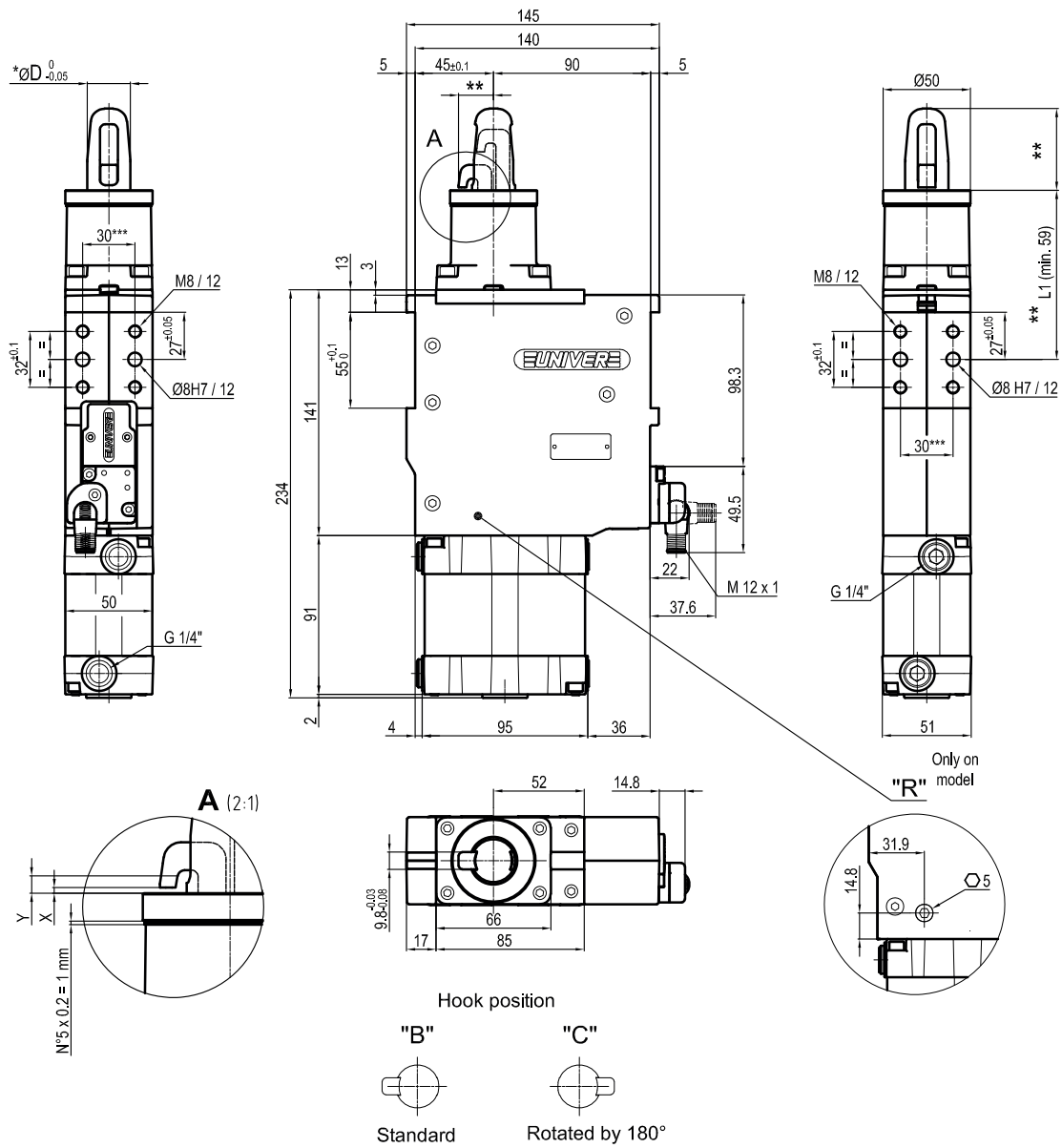


- IRREVERSIBLE
- LIGHTWEIGHT
- COMPENSATION
- METAL SCRAPER
- OPTICAL SENSOR
- HIGH REPEATABILITY
- 0/180°

- | | |
|---|--|
| <p>1 SERIES
US = UNICLAMP Pin clamp with compensation</p> <p>2 VERSION
S = Pneumatic with orientable hook</p> <p>3 SIZE
63 = Ø63 mm</p> <p>4 MODEL
J = Standard
R = With mechanical locking/unlocking device</p> <p>5 HOOK POSITION
B = Standard
C = Rotated by 180°</p> <p>6 PIN DIAMETER
1 < = Ø18 mm
2 = Ø20 mm
3 = Ø25 mm
4 = Ø30 mm
5 = Ø35 mm
6 = Ø40 mm

For pin Ø outside the mentioned range, please contact our sales department</p> | <p>7 LOCATING PIN
0 = Locating pin not included
1 = Locating pin included</p> <p>8 PROGRESSIVE NUMBERING
Progressive numbers for special products are assigned by the Sales Department</p> <p>9 SENSOR
N = No sensor (with protection plate)
K = Electronic sensor PNP, M12 (DF-K)
J = Electronic sensor NPN, optical (DF-J)
Y = Electronic sensor PNP, M12 (DF-Y) white LED</p> <p>10 PRODUCT REVISION
Assigned by UNIVER</p> <p>11 ATEX
X = ATEX option
See ATEX Catalogue for types and versions</p> |
|---|--|

6



6

X = Metal sheet
 Y = Clamping range (X + 6 mm Max.)
 VERSION WITHOUT PIN AND HOOK AVAILABLE UPON REQUEST
 ** MISSING DIMENSION TO BE DEFINED ACCORDING TO CUSTOMER SPECIFICATIONS
 *** TOLERANCE BETWEEN DOWEL HOLES ± 0,02, BETWEEN SCREW HOLES ± 0,1

*Pin Option	ØD
1	18
2	20
3	25
4	30
5	35
6	40

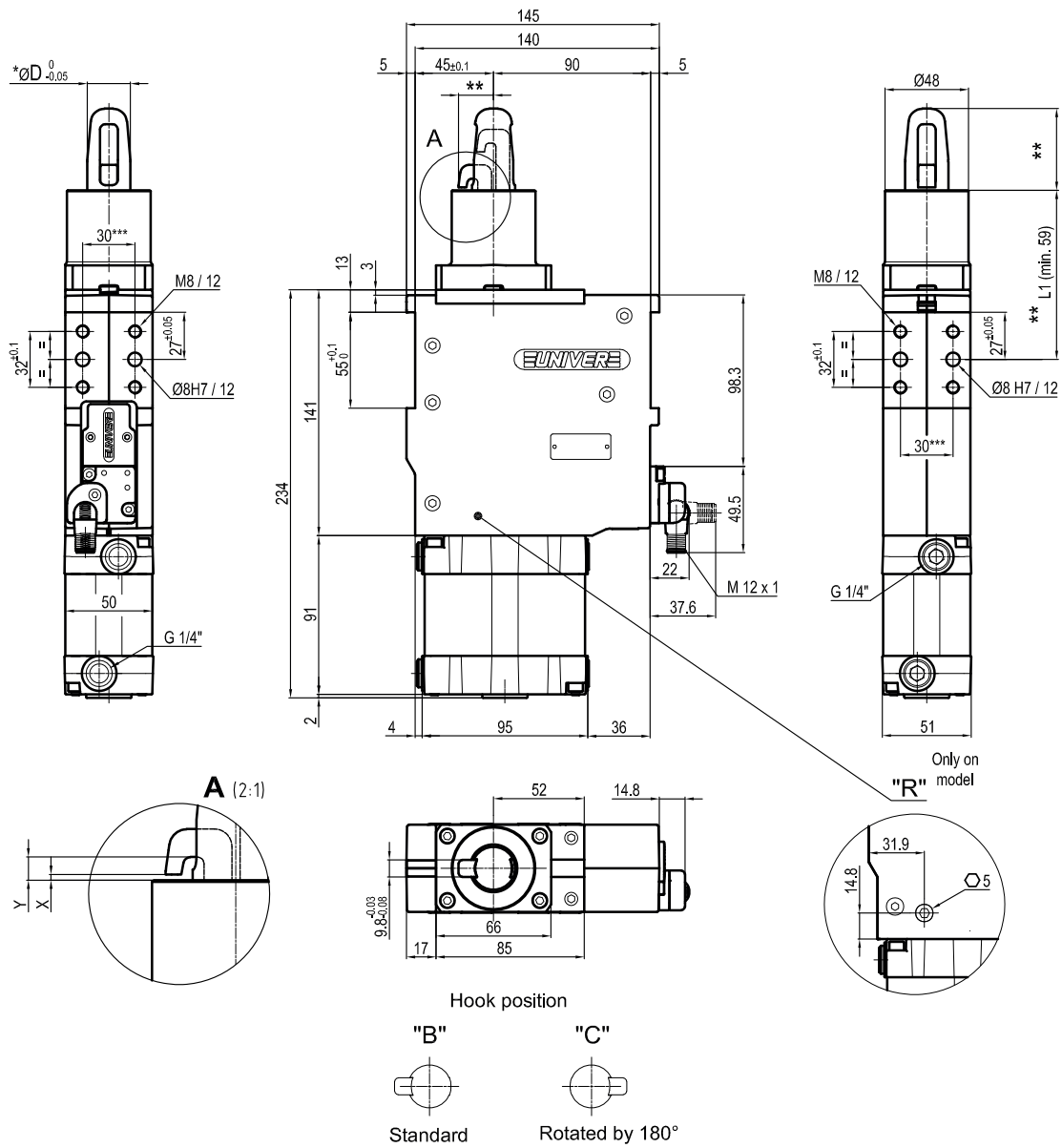
Sensors



Electronic (optical)

- DF-K PNP M12
- DF-J NPN M12
- DF-Y PNP M12 White LED

Version with plate machined from solid (no shimming)



*Pin Option	ØD
1	18
2	20
3	25
4	30
5	35
6	40

X = Metal sheet
 Y = Clamping range (X + 6 mm Max.)
 VERSION WITHOUT PIN AND HOOK AVAILABLE UPON REQUEST
 ** MISSING DIMENSION TO BE DEFINED ACCORDING TO CUSTOMER SPECIFICATIONS
 *** TOLERANCE BETWEEN DOWEL HOLES $\pm 0,02$, BETWEEN SCREW HOLES $\pm 0,1$

Sensors



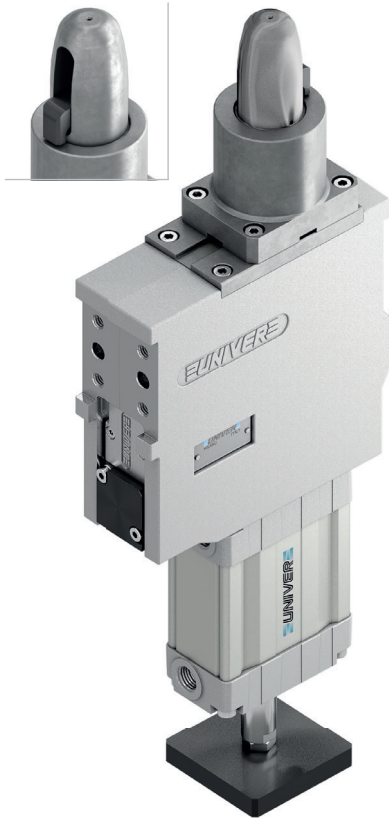
Electronic (optical)

- DF-K PNP M12
- DF-J NPN M12
- DF-Y PNP M12 White LED

USSL 50

Pneumatic pin clamp for laser beam applications, orientable hook, Ø50 mm

Pneumatic pin clamps for laser beam applications mainly designed for centering and clamping metal sheets in BIW underbody applications where the detection of the position is done by a laser beam instead of a position sensor



- Integrated compensation up to 2,3 mm
- Double metal scraper for protection against dust and welding debris
- Toggle-joint mechanism
- High wear resistance steel pin
- Electronic sensor
- Hook position: 0/180°
- Available version with plate machined from solid (no shimming)

CHARACTERISTICS

Operating temperature	5° ÷ 45° C
Min./Max. Operating pressure	0,4 / 0,6 MPa
Bore Ø	50 mm
Clamping force	3500 N
Weight (without plate, pin and hook)	3,1 kg
Pneumatic supply ports	G1/4 on both sides
Supply voltage	10 ÷ 30 Vdc
IP code	IP 65

6

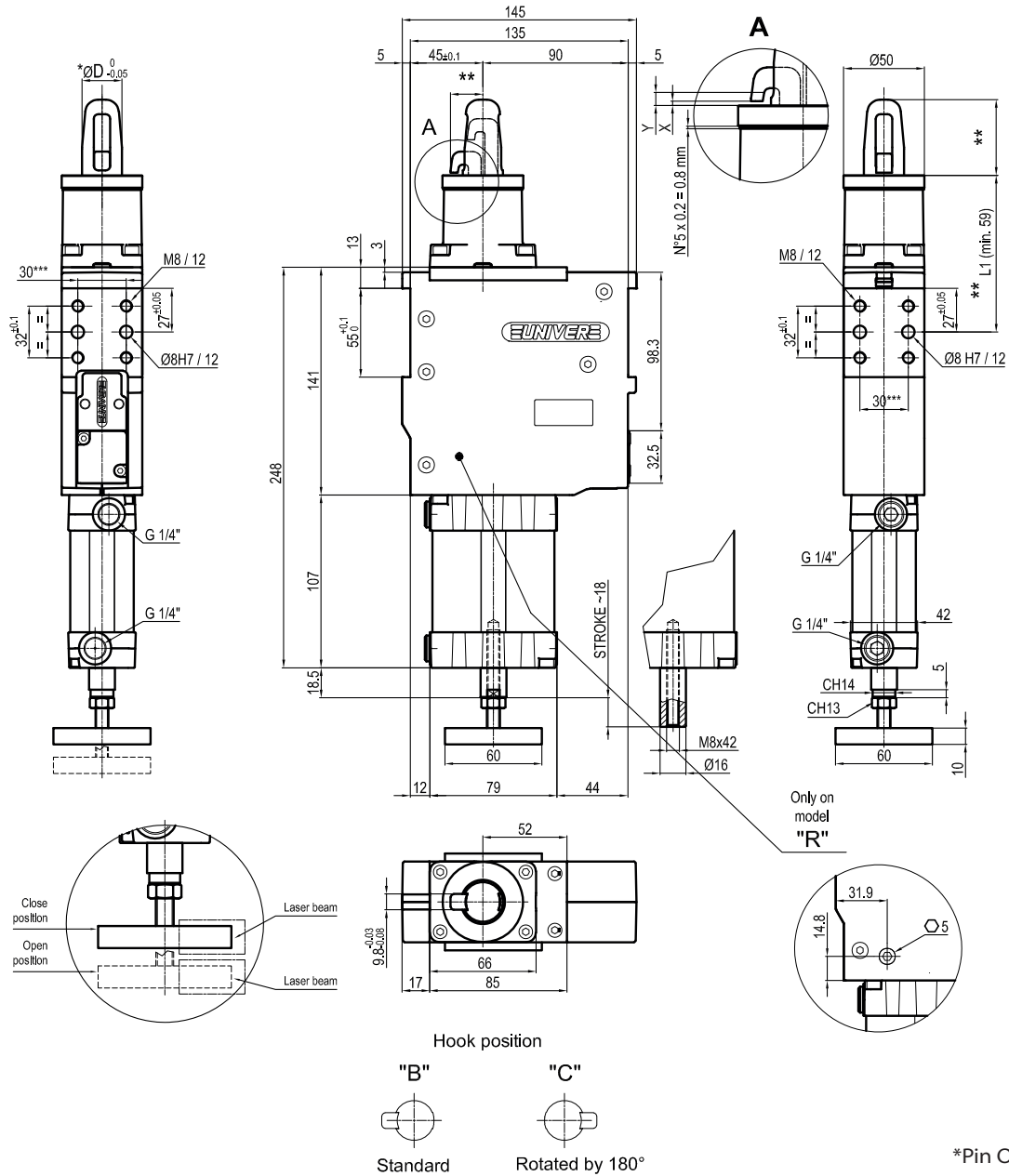
CODIFICATION KEY

US | SL | 50 | J | B | 3 | 1 | - | N | 0 | |

1 2 3 4 5 6 7 8 9 10 11

- IRREVERSIBLE
- LIGHTWEIGHT
- COMPENSATION
- METAL SCRAPER
- OPTICAL SENSOR
- HIGH REPEATABILITY
- 0/180°

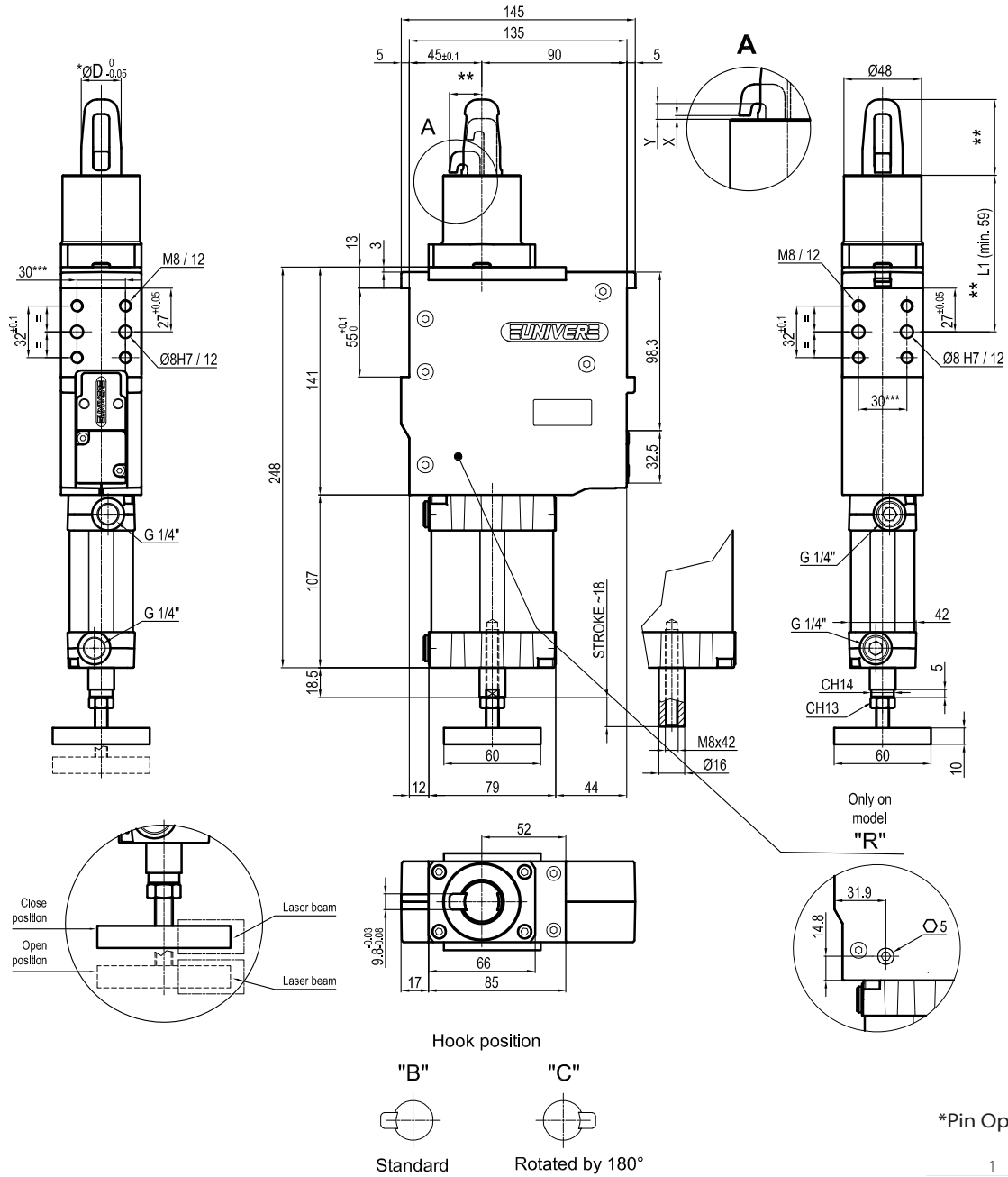
- 1** SERIES
US = UNICLAMP Pin clamp with compensation
- 2** VERSION
SL = Pneumatic for laser beam applications, orientable hook
- 3** SIZE
50 = Ø50 mm
- 4** MODEL
J = Standard
R = With mechanical locking/unlocking device
- 5** HOOK POSITION
B = Standard
C = Rotated by 180°
- 6** PIN DIAMETER
1 <= Ø18 mm
2 = Ø20 mm
3 = Ø25 mm
4 = Ø30 mm
5 = Ø35 mm
6 = Ø40 mm
For pin Ø outside the mentioned range, please contact our sales department
- 7** LOCATING PIN
0 = Locating pin not included
1 = Locating pin included
- 8** PROGRESSIVE NUMBERING
Progressive numbers for special products are assigned by the Sales Department
- 9** SENSOR
N = No sensor (with protection plate)
- 10** PRODUCT REVISION
Assigned by UNIVER
- 10** ATEX
X = ATEX option
See ATEX Catalogue for types and versions



X = Metal sheet
 Y = Clamping range (X + 2,3 mm Max.)
 VERSION WITHOUT PIN AND HOOK AVAILABLE UPON REQUEST
 ** MISSING DIMENSION TO BE DEFINED ACCORDING TO CUSTOMER SPECIFICATIONS
 *** TOLERANCE BETWEEN DOWEL HOLES $\pm 0,02$, BETWEEN SCREW HOLES $\pm 0,1$

*Pin Option	$\varnothing D$
1	18
2	20
3	25
4	30
5	35
6	40

Version with plate machined from solid (no shimming)

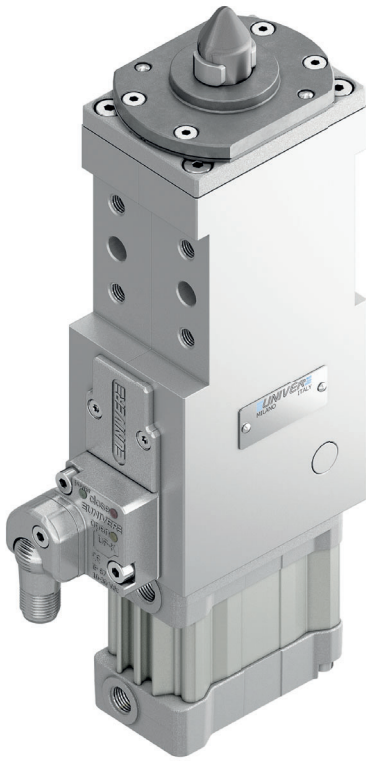


X = Metal sheet
 Y = Clamping range (X + 2,3 mm Max.)
 VERSION WITHOUT PIN AND HOOK AVAILABLE UPON REQUEST
 ** MISSING DIMENSION TO BE DEFINED ACCORDING TO CUSTOMER SPECIFICATIONS
 *** TOLERANCE BETWEEN DOWEL HOLES ± 0,02, BETWEEN SCREW HOLES ± 0,1

USC 40

Compact retractable pin clamp with clamping fingers, Ø40 mm

Compact Pin Clamp with retractable clamping fingers for centering and clamping. The compact and lightweight construction make this unit suitable for mounting on grippers for handling pieces through a centering hole.



- Compact dimensions
- Integrated compensation up to 3 mm
- High wear resistance steel pin
- Protection against welding debris and dust
- Toggle-joint system
- Electronic sensor

CHARACTERISTICS

Operating temperature	5° ÷ 45° C
Min./Max. Operating pressure	0,4 / 0,6 MPa
Bore Ø	40 mm
Clamping force	900 N
Weight (without plate and pin)	1,3 kg
Pneumatic supply ports	G1/8 on both sides
Sensor	electronic (optical)
Supply voltage	10 ÷ 30 Vdc
IP code	IP 65

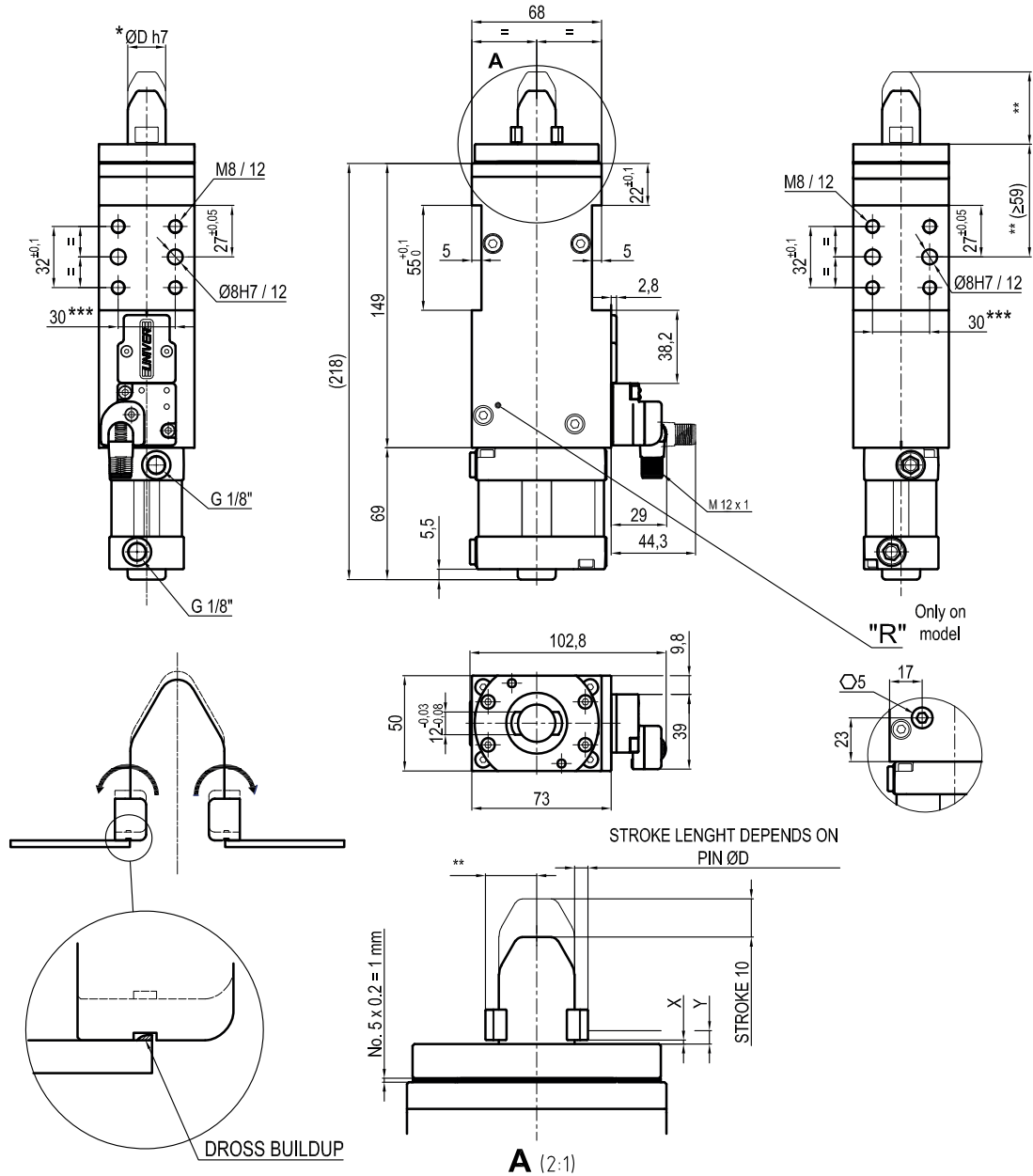
CODIFICATION KEY

US | C | 40 | J | 3 | 1 | - | K | 0 | | |
 1 2 3 4 5 6 7 8 9 10

- IRREVERSIBLE
- LIGHTWEIGHT
- COMPENSATION
- COMPACT
- OPTICAL SENSOR
- HIGH REPEATABILITY
- METAL SCRAPER

- 1** SERIES
US = UNICLAMP Pin clamp with compensation
 - 2** VERSION
C = Pneumatic compact with clamping fingers
 - 3** SIZE
40 = Ø40 mm
 - 4** MODEL
J = Standard
R = With mechanical locking/unlocking device
 - 5** PIN DIAMETER
1 < = Ø15,8 mm
2 = Ø20 mm
3 = Ø25 mm
4 = Ø30 mm
 - 6** LOCATING PIN
1 = Locating pin included
 - 7** PROGRESSIVE NUMBERING
Progressive numbers for special products are assigned by the Sales Department
 - 8** SENSOR
N = No sensor (with protection plate)
K = Electronic sensor PNP, M12 (DF-K)
J = Electronic sensor NPN, optical (DF-J)
Y = Electronic sensor PNP, M12 (DF-Y) white LED
 - 9** PRODUCT REVISION
Assigned by UNIVER
 - 10** ATEX
X = ATEX option
See ATEX Catalogue for types and versions
- For pin Ø outside the mentioned range, please contact our sales department

6



6

X = Metal sheet
 Y = Clamping range (X + 3 mm Max.)
 VERSION WITHOUT PIN AND HOOK AVAILABLE UPON REQUEST
 ** MISSING DIMENSION TO BE DEFINED ACCORDING TO CUSTOMER SPECIFICATIONS
 *** TOLERANCE BETWEEN DOWEL HOLES ± 0,02, BETWEEN SCREW HOLES ± 0,1

*Pin Option	ØD
1	15,8
2	20
3	25
4	30

Sensors



Electronic (optical)

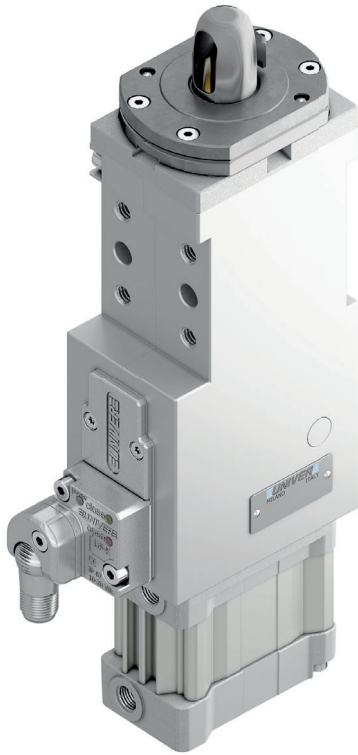
- DF-K PNP M12
- DF-J NPN M12
- DF-Y PNP M12 White LED

USR 40

Compact pin clamp with single or double hook, Ø40 mm

Compact pin clamp with single or double hook for centering and clamping. The compact and lightweight construction make this unit suitable for mounting on grippers and in applications where reduced dimensions are required

- Compact dimensions
- Integrated compensation up to 3 mm
- High wear resistance steel pin
- Protection against welding debris and dust
- Toggle-joint system
- Version with single or double hook
- Electronic sensor



6

CHARACTERISTICS

Operating temperature	5° ÷ 45° C
Min./Max. Operating pressure	0,4 / 0,6 MPa
Bore Ø	40 mm
Clamping force	900 N
Weight (without plate, pin and hook)	1,9 kg
Pneumatic supply ports	G1/8 on both sides
Sensor	electronic (optical)
Supply voltage	10 ÷ 30 Vdc
IP code	IP 65

CODIFICATION KEY

US	R	40	J	3	1	S	-	K	0	
1	2	3	4	5	6	7	8	9	10	11



IRREVERSIBLE



LIGHTWEIGHT



COMPENSATION



COMPACT



OPTICAL SENSOR



HIGH REPEATABILITY



METAL SCRAPER

1

SERIES

US = UNICLAMP Pin clamp

2

VERSION

R = Pneumatic compact

3

SIZE

40 = Ø40 mm

4

MODEL

J = Standard
R = With mechanical locking/unlocking device
F = Without compensation

5

PIN DIAMETER

1 < = Ø19 mm
2 = Ø20 mm
3 = Ø25 mm
4 = Ø30 mm
5 = Ø35 mm
6 = Ø40 mm
For pin Ø outside the mentioned range, please contact our sales department

6

LOCATING PIN

0 = Locating pin not included
1 = Locating pin included

7

HOOK

S = Single hook
D = Double hook, standard without compensation* (model F)
*For version with compensation please contact our sales department

8

PROGRESSIVE NUMBERING

Progressive numbers for special products are assigned by the Sales Department

9

SENSOR

N = No sensor (with protection plate)
K = Electronic sensor PNP, M12 (DF-K)
J = Electronic sensor NPN, optical (DF-J)
Y = Electronic sensor PNP, M12 (DF-Y) white LED

10

PRODUCT REVISION

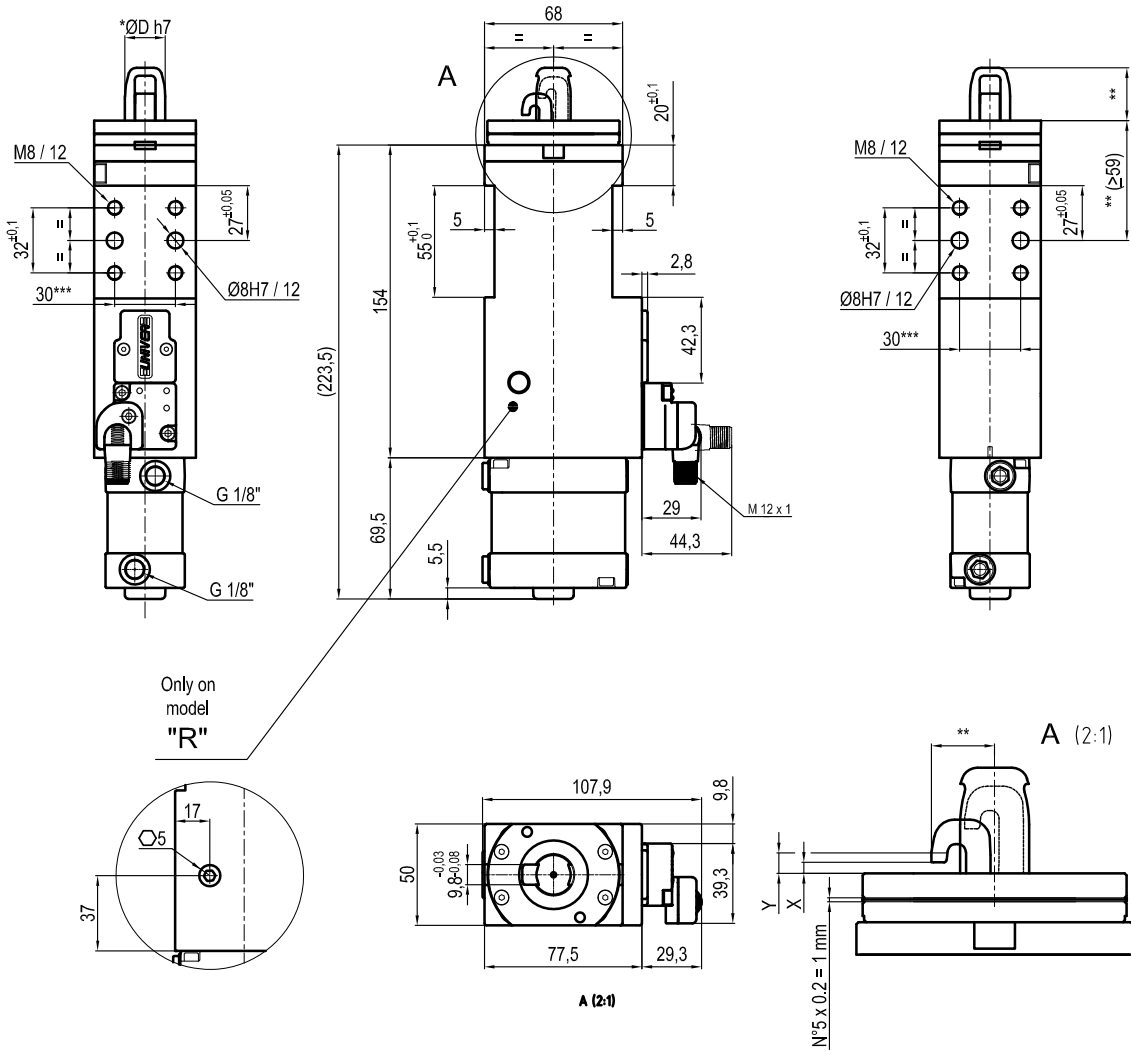
Assigned by UNIVER

11

ATEX

X = ATEX option
See ATEX Catalogue for types and versions

S Single hook



6

X = Metal sheet
 Y = Clamping range (X + 3 mm Max.)
 VERSION WITHOUT PIN AND HOOK AVAILABLE UPON REQUEST
 ** MISSING DIMENSION TO BE DEFINED ACCORDING TO CUSTOMER SPECIFICATIONS
 *** TOLERANCE BETWEEN DOWEL HOLES ± 0,02, BETWEEN SCREW HOLES ± 0,1

*Pin Option	ØD
1	15,8
2	20
3	25
4	30

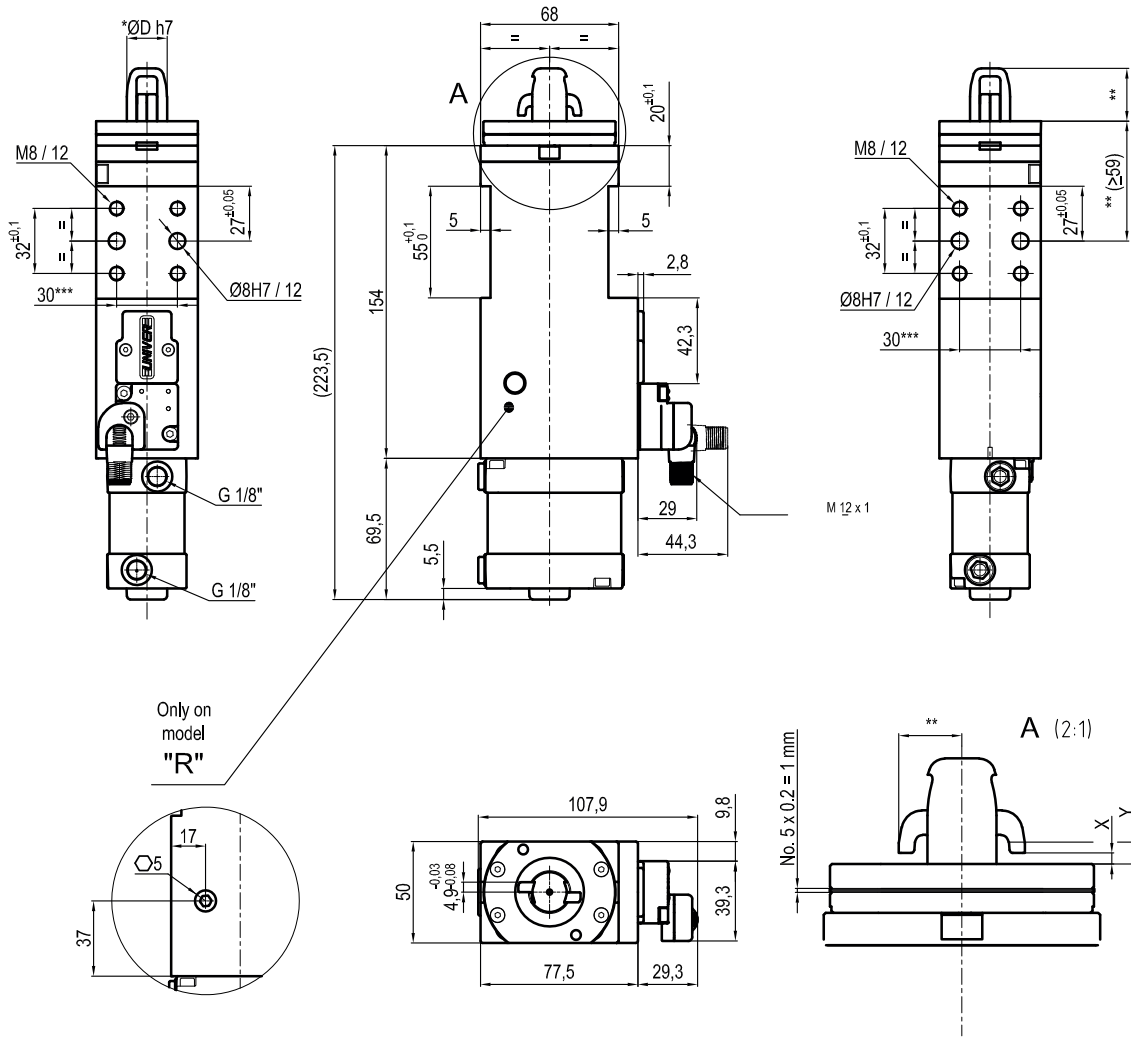
Sensors



Electronic (optical)

- DF-K PNP M12
- DF-J NPN M12
- DF-Y PNP M12 White LED

D Double hook



6

X = Metal sheet
 Y = Clamping range (X + 3 mm Max.)
 VERSION WITHOUT PIN AND HOOK AVAILABLE UPON REQUEST
 ** MISSING DIMENSION TO BE DEFINED ACCORDING TO CUSTOMER SPECIFICATIONS
 *** TOLERANCE BETWEEN DOWEL HOLES ± 0,02, BETWEEN SCREW HOLES ± 0,1

*Pin Option	ØD
1	15,8
2	20
3	25
4	30

Sensors



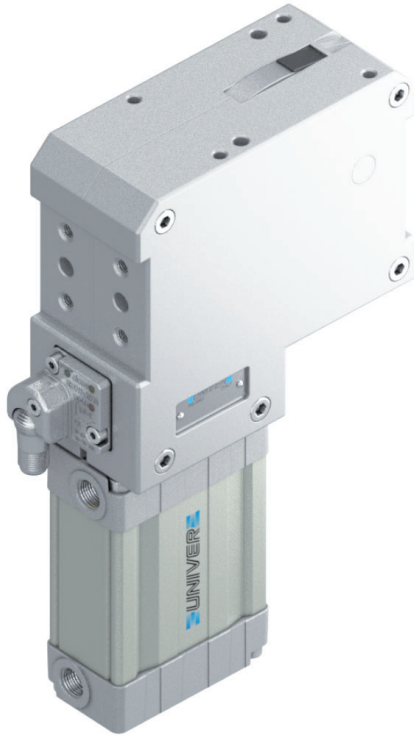
Electronic (optical)

- DF-K PNP M12
- DF-J NPN M12
- DF-Y PNP M12 White LED

UST 50

Pneumatic pin clamp with vanishing hook, Ø50 mm

Pneumatic pin clamp with vanishing hook, mainly designed for centering and clamping metal sheets in BIW underbody applications



- Integrated compensation up to 1,5 mm
- Irreversible
- Protection against welding debris and dust
- High repeatability
- Electronic sensor

CHARACTERISTICS

Operating temperature	5° ÷ 45° C
Min./Max. Operating pressure	0,4 / 0,6 MPa
Bore Ø	50 mm
Clamping force	3500 N
Weight (without plate, pin and hook)	3,0 kg
Pneumatic supply ports	G1/4 on both sides
Sensor	electronic (optical)
Supply voltage	10 ÷ 30 Vdc
IP code	IP 65

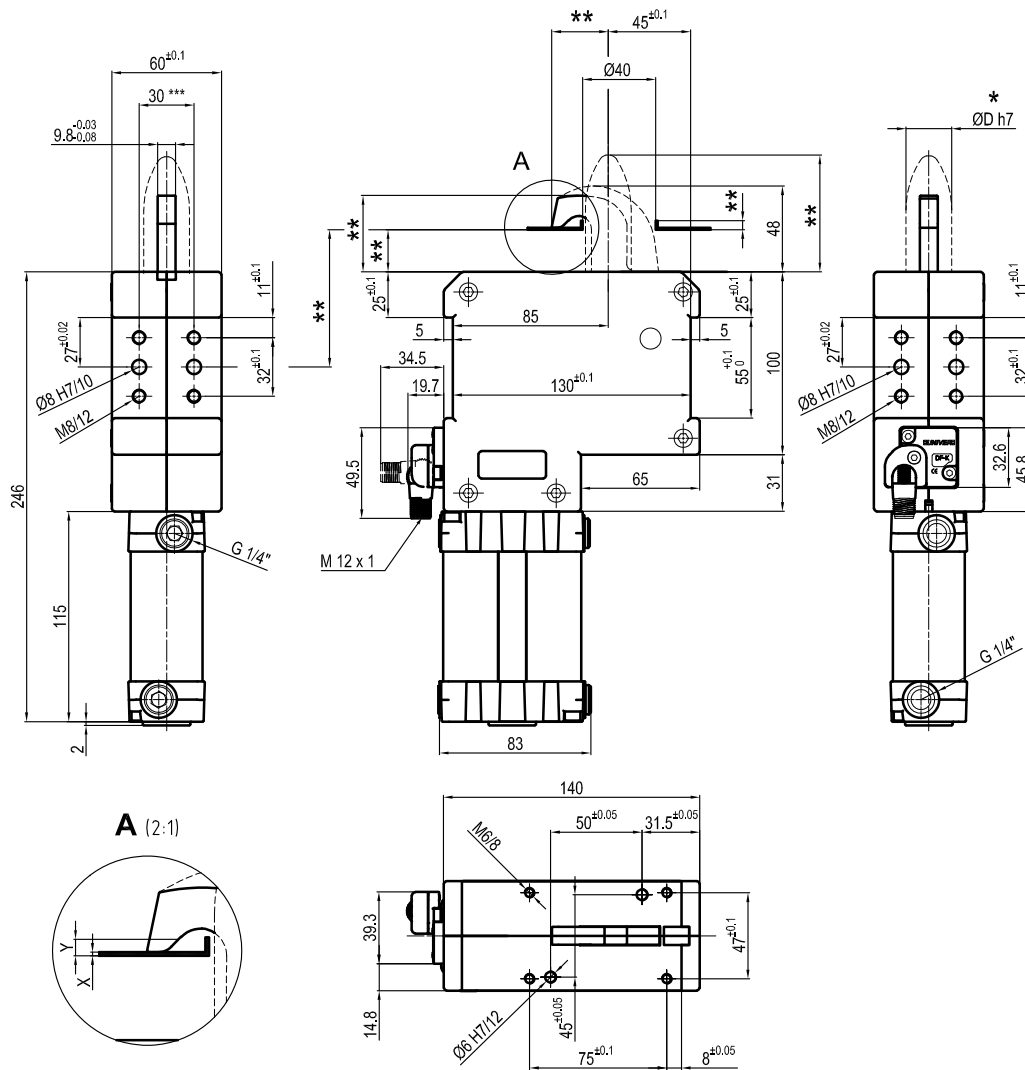
6

CODIFICATION KEY

US | T | 50 | T | 2 | 0 | - | K | 0 | | |
 1 | 2 | 3 | 4 | 5 | 6 | 7 | 8 | 9 | 10

- IRREVERSIBLE
- LIGHTWEIGHT
- COMPENSATION
- OPTICAL SENSOR
- HIGH REPEATABILITY

- | | |
|---|--|
| <p>1 SERIES
US = UNICLAMP Pin clamp with compensation</p> <p>2 VERSION
T = Pneumatic</p> <p>3 SIZE
50 = Ø50 mm</p> <p>4 MODEL
T = With vanishing hook</p> <p>5 PIN DIAMETER
1 < = Ø19 mm
2 = Ø20 mm
3 = Ø25 mm
4 = Ø30 mm
5 = Ø35 mm
6 = Ø40 mm
<small>For pin Ø outside the mentioned range, please contact our sales department</small></p> | <p>6 LOCATING PIN
0 = Locating pin not included
1 = Locating pin included</p> <p>7 PROGRESSIVE NUMBERING
Progressive numbers for special products are assigned by the Sales Department</p> <p>8 SENSOR
N = No sensor (with protection plate)
K = Electronic sensor PNP, M12 (DF-K)
J = Electronic sensor NPN, optical (DF-J)
Y = Electronic sensor PNP, M12 (DF-Y) white LED</p> <p>9 PRODUCT REVISION
Assigned by UNIVER</p> <p>11 ATEX
X = ATEX option
<small>See ATEX Catalogue for types and versions</small></p> |
|---|--|



6

*Pin Option	ØD
1	<=19
2	20
3	25
4	30
5	35
6	40

X = Metal sheet
 Y = Clamping range (X + 1,5 mm Max.)
 VERSION WITHOUT PIN AND HOOK AVAILABLE UPON REQUEST
 ** MISSING DIMENSIONS TO BE DEFINED ACCORDING TO CUSTOMER SPECIFICATIONS
 *** TOLERANCE BETWEEN DOWEL HOLES ± 0,02, BETWEEN SCREW HOLES ± 0,1

Sensors

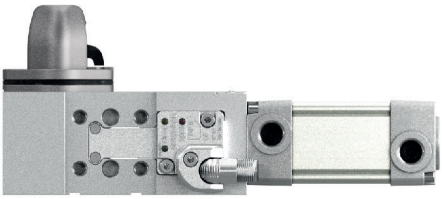
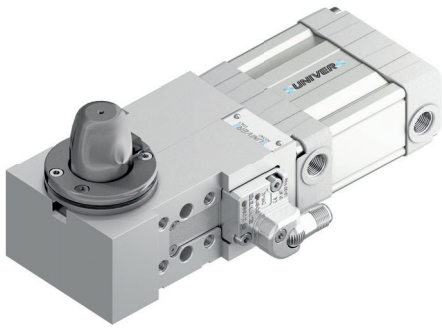


Electronic (optical)

- DF-K PNP M12
- DF-J NPN M12
- DF-Y PNP M12 White LED

USP 50U

Pneumatic pin clamp - Horizontal shape, Ø50 mm



Pneumatic pin clamp with horizontal shape, mainly designed for centering and clamping metal sheets in BIW underbody applications. Thanks to the flat shape it is widely used in applications where the installation space is very small

- Integrated compensation up to 0,5 mm
- Protection against welding debris and dust
- Toggle-joint mechanism
- High repeatability
- Two sided sensor mounting
- Electronic sensor

CHARACTERISTICS

Operating temperature	5° ÷ 45° C
Min./Max. Operating pressure	0,4 / 0,6 MPa
Bore Ø	50 mm
Clamping force	2500 N
Weight (without plate, pin and hook)	2,2 kg
Pneumatic supply ports	G1/8 on both sides
Sensor	electronic (optical)
Supply voltage	10 ÷ 30 Vdc
IP code	IP 65

CODIFICATION KEY

US | P | 50 | U | 3 | 1 | L | - | K | | | |
 1 2 3 4 5 6 7 8 9 10 11



IRREVERSIBLE



LIGHTWEIGHT



METAL SCRAPER



OPTICAL SENSOR



HIGH REPEATABILITY

1

SERIES
 US = UNICLAMP Pin clamp with compensation

2

VERSION
 P = Pneumatic

3

SIZE
 50 = Ø50 mm

4

MODEL
 U = Horizontal shape

5

PIN DIAMETER
 1 < = Ø19 mm
 2 = Ø20 mm
 3 = Ø25 mm
 4 = Ø30 mm
 5 = Ø35 mm
 For pin Ø outside the mentioned range, please contact our sales department

6

LOCATING PIN
 0 = Locating pin not included
 1 = Locating pin included

7

SENSOR POSITION
 L = Left side
 R = Right side

8

PROGRESSIVE NUMBERING
 Progressive numbers for special products are assigned by the Sales Department

9

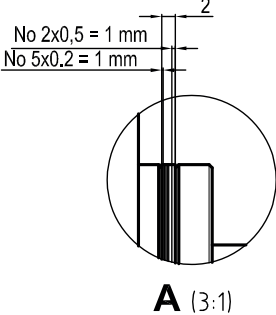
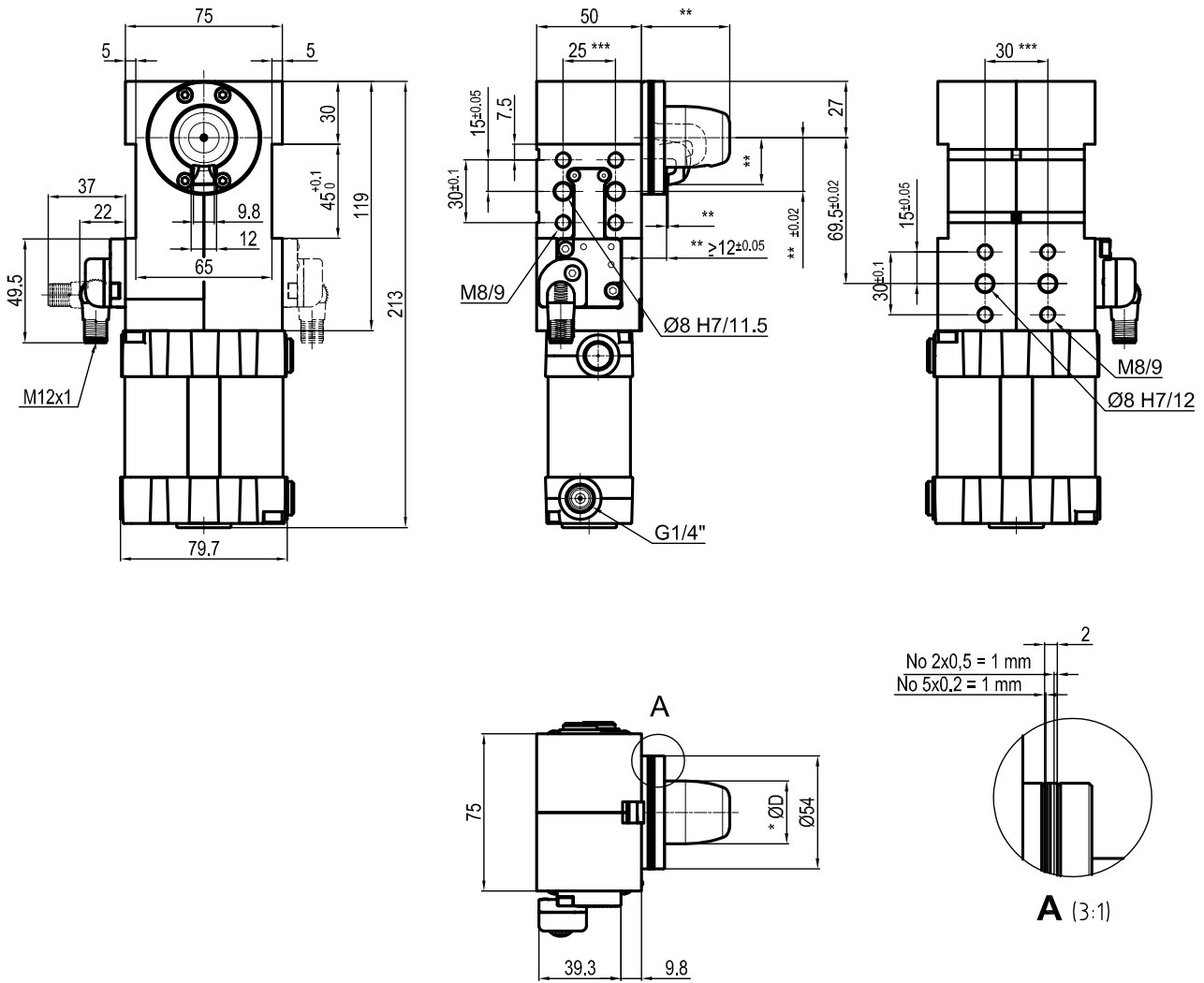
SENSOR
 N = No sensor (with protection plate)
 K = Electronic sensor PNP, M12 (DF-K)
 J = Electronic sensor NPN, optical (DF-J)
 Y = Electronic sensor PNP, M12 (DF-Y) white LED

10

PRODUCT REVISION
 Assigned by UNIVER

11

ATEX
 X = ATEX option
 See ATEX Catalogue for types and versions



** MISSING DIMENSION TO BE DEFINED ACCORDING TO CUSTOMER SPECIFICATIONS
 *** TOLERANCE BETWEEN DOWEL HOLES $\pm 0,02$, BETWEEN SCREW HOLES $\pm 0,1$
 THE SENSOR CAN BE MOUNTED ON EITHER RIGHT OR LEFT SIDE

*Pin Option	ØD
1	≤ 19
2	20
3	25
4	30
5	35
6	40

Sensors



Electronic (optical)

- DF-K PNP M12
- DF-J NPN M12
- DF-Y PNP M12 White LED

LUP 63

Pneumatic pin clamp with vanishing hook and pin, Ø63 mm

Pneumatic pin clamp with vanishing hook and pin, mainly designed for centering and clamping metal sheets in BIW underbody applications with no need to raise and lower the metal sheet during positioning operations

- Protection against welding debris and dust
- Irreversible
- High repeatability
- High wear resistance steel pin
- Electronic sensor with 2 cables and M12 connectors to detect the position of both the pin and hook



CHARACTERISTICS

Operating temperature	5° ÷ 45° C
Min./Max. Operating pressure	0,4 / 0,6 MPa
Bore Ø	63 mm
Clamping force	1500 N
Weight (without plate, pin and hook)	3,0 kg
Pneumatic supply ports	G1/8
Sensor	electronic with 2xM12 cables
Supply voltage	10 ÷ 30 Vdc
IP code	IP 65

CODIFICATION KEY

LU	P	63	S	E	3	1	-	
1	2	3	4	5	6	7	8	



IRREVERSIBLE



LIGHTWEIGHT



HIGH REPEATABILITY



METAL SCRAPER

1

SERIES
LU = Pin clamp

2

VERSION
P = Pneumatic

3

SIZE
63 = Ø63 mm

4

MODEL
S = Vanishing hook and pin

5

SENSOR
N = No sensor (with protection plate)
E = DF-LUP sensor

6

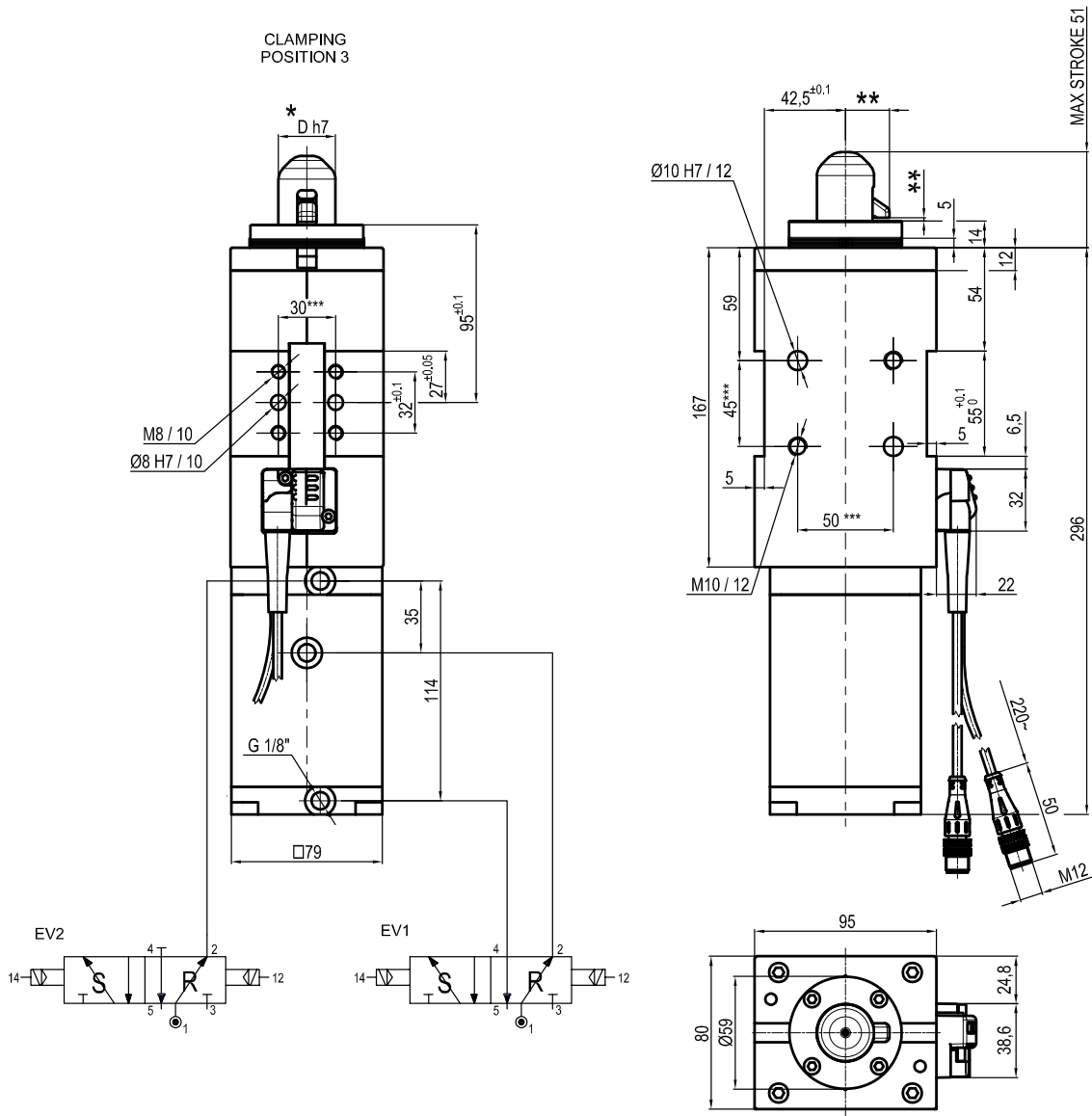
PIN DIAMETER
1 <= Ø19 mm
2 = Ø20 mm
3 = Ø25 mm
4 = Ø30 mm
5 = Ø35 mm
6 = Ø40 mm

7

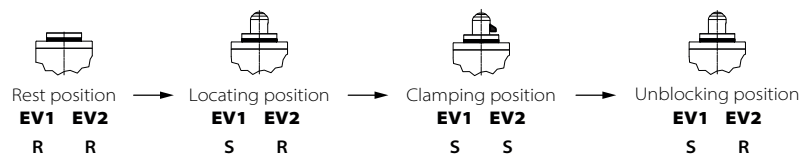
LOCATING PIN
1 = Locating pin included

8

PROGRESSIVE NUMBERING
Progressive numbers for special products are assigned by the Sales Department



** MISSING DIMENSION TO BE DEFINED ACCORDING TO CUSTOMER SPECIFICATIONS
 *** TOLERANCE BETWEEN DOWEL HOLES ± 0,02, BETWEEN SCREW HOLES ± 0,1



*Pin Option	ØD
1	≤19
2	20
3	25
4	30
5	35
6	40

Sensors



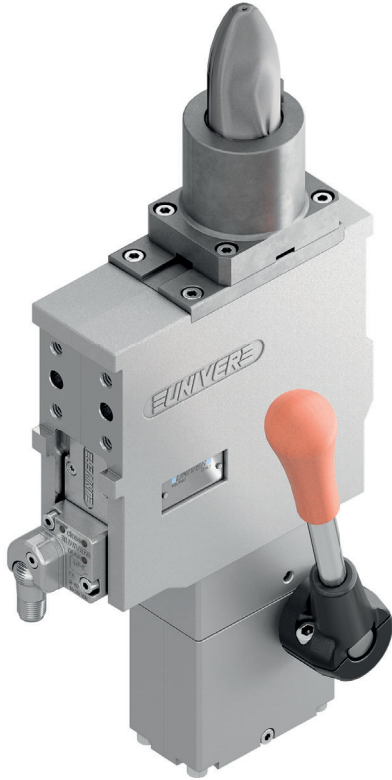
Electronic

DF-LUP

USL 50

Manual pin clamp, Ø50 mm

Manual pin clamp mainly designed for centering and clamping metal sheets in BIW underbody applications



- Integrated compensation up to 2,3 mm
- Double metal scraper for protection against dust and welding debris
- Toggle-joint mechanism
- High wear resistance steel pin
- Electronic sensor
- Hook position: 0/180°
- Ergonomic hand lever
- Available version with plate machined from solid (no shimming)

CHARACTERISTICS

Operating temperature	5° ÷ 45° C
Min./Max. Operating pressure	0,4 / 0,6 MPa
Bore Ø	50 mm
Clamping force	3500 N
Weight (without plate, pin and hook)	3,6 kg
Sensor	electronic (optical)
Supply voltage	10 ÷ 30 Vdc
IP code	IP 65

6

CODIFICATION KEY

US | L | 50 | J | 3 | 1 | - | K | 0 | | |

1 2 3 4 5 6 7 8 9 10



IRREVERSIBLE



LIGHTWEIGHT



COMPENSATION



METAL SCRAPER



OPTICAL SENSOR



HIGH REPEATABILITY

1

SERIES

US = UNICLAMP Pin clamp with compensation

2

VERSION

L = Manual with hand lever

3

SIZE

50 = Ø50 mm

4

MODEL

J = Standard

5

PIN DIAMETER

1 < = Ø18 mm
 2 = Ø20 mm
 3 = Ø25 mm
 4 = Ø30 mm
 5 = Ø35 mm
 6 = Ø40 mm

For pin Ø outside the mentioned range, please contact our sales department

6

LOCATING PIN

0 = Locating pin not included
 1 = Locating pin included

7

PROGRESSIVE NUMBERING

Progressive numbers for special products are assigned by the Sales Department

8

SENSOR

N = No sensor (with protection plate)
 K = Electronic sensor PNP, M12 (DF-K)
 J = Electronic sensor NPN, optical (DF-J)
 Y = Electronic sensor PNP, M12 (DF-Y) white LED

9

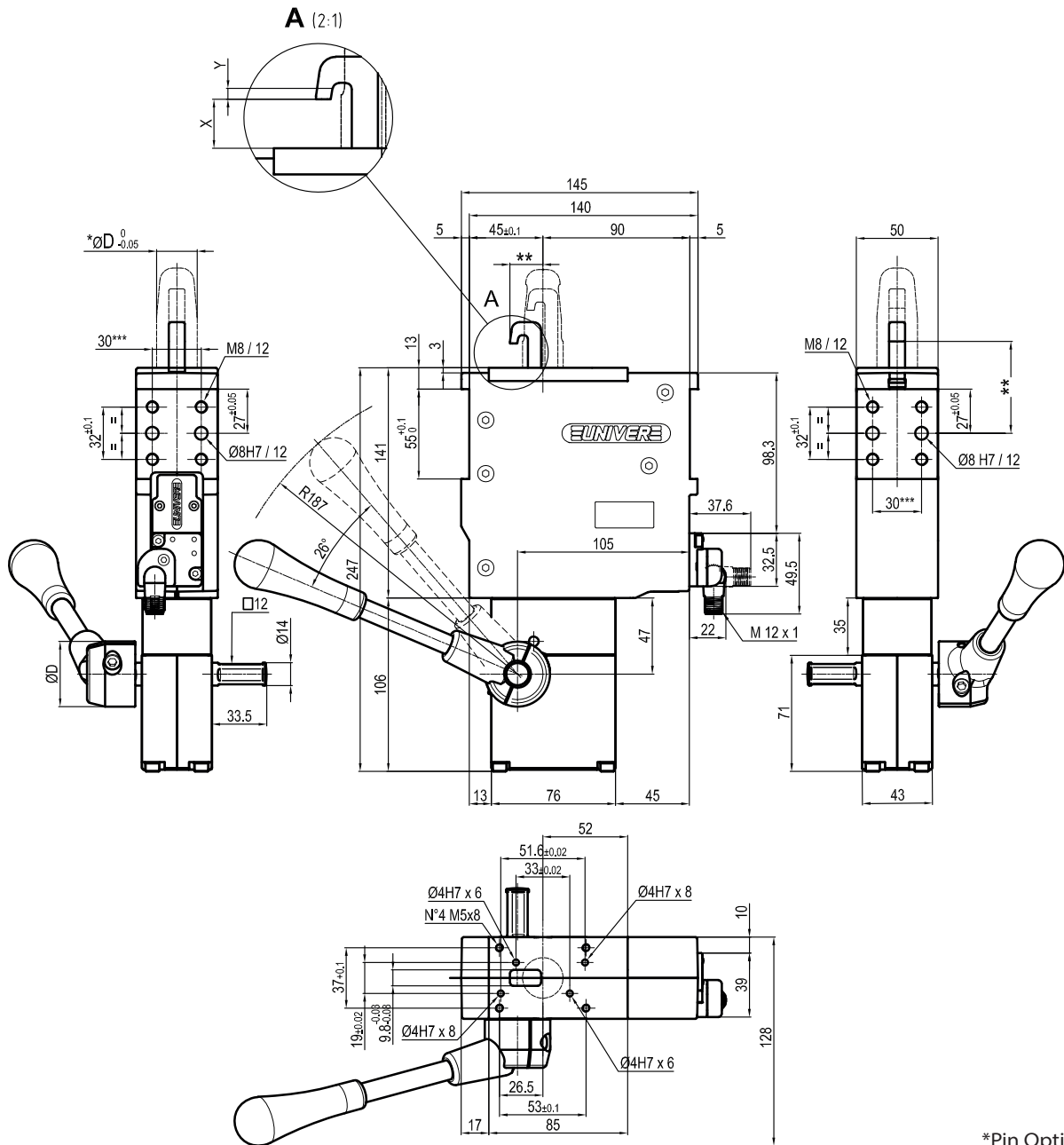
PRODUCT REVISION

Assigned by UNIVER

10

ATEX

X = ATEX option
 See ATEX Catalogue for types and versions



6

*Pin Option	ØD
1	18
2	20
3	25
4	30
5	35
6	40

X = Metal sheet
 Y = Clamping range (X + 2,3 mm Max.)
 VERSION WITHOUT PIN AND HOOK AVAILABLE UPON REQUEST
 ** MISSING DIMENSION TO BE DEFINED ACCORDING TO CUSTOMER SPECIFICATIONS
 *** TOLERANCE BETWEEN DOWEL HOLES ± 0,02, BETWEEN SCREW HOLES ± 0,1

Sensors



Electronic (optical)

- DF-K PNP M12
- DF-J NPN M12
- DF-Y PNP M12 White LED

Accessories



Handlever

UBF255063



UNICLAMP
PNEUMATIC MARKING UNITS

Single character 250-500Nm

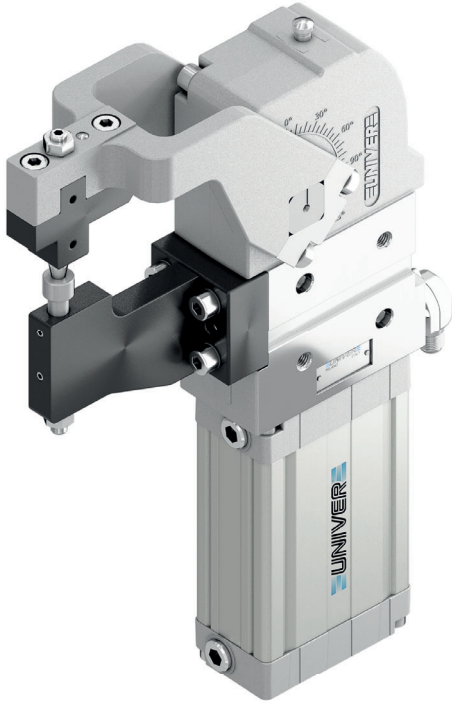
UPD02	2
UPD05	5

Marking head 5000-12000Nm

UPR05	8
UPR11	13

UPD 02

Marking unit with single character, 250 Nm



Marking unit with 250 Nm clamping moment specially designed for marking one single character on metal sheets. High customisation rate thanks to adjustable opening angle and the possibility to choose the marking position and character.

- Different marking characters available
- Possibility to choose the marking position (from above or from below)
- 120° adjustable opening angle
- Optical sensor
- Version with 500 Nm clamping moment available
- Integrated compensation up to 2 mm
- Possibility to translate the position of the metal sheet vertically

CHARACTERISTICS

Operating temperature	5° ÷ 45° C
Min./Max. Operating pressure	0,4 / 0,6 MPa
Opening angle	0 ÷ 120°
Cylinder bore Ø	63 mm
Marking force (0,5 MPa)	2 KN
Clamping moment (0,55 MPa)	250 Nm
Weight	6,1 kg
Air cycle (0,5 MPa)	3,4 NI
Pneumatic supply ports	G1/4 on both sides
Sensor	electronic (optical)
Supply voltage	10 ÷ 30 Vdc
IP code	IP 65

CODIFICATION KEY

UPD | 02 | 08 | OR | M | 00 | F | 0 | |

1 2 3 4 5 6 7 8 9



COMPENSATION



ANGLE ADJUSTMENT



OPTICAL SENSOR

1 SERIES
UPD = UNICLAMP Marking units
single character

2 VERSION
02 = 250Nm Ø 63 mm cylinder

3 SIZE
08 = 84 mm

4 OPENING ANGLE
OR = 120° adjustable

5 CHARACTER MOUNTING
M = on the moving part
F = on the fixed part

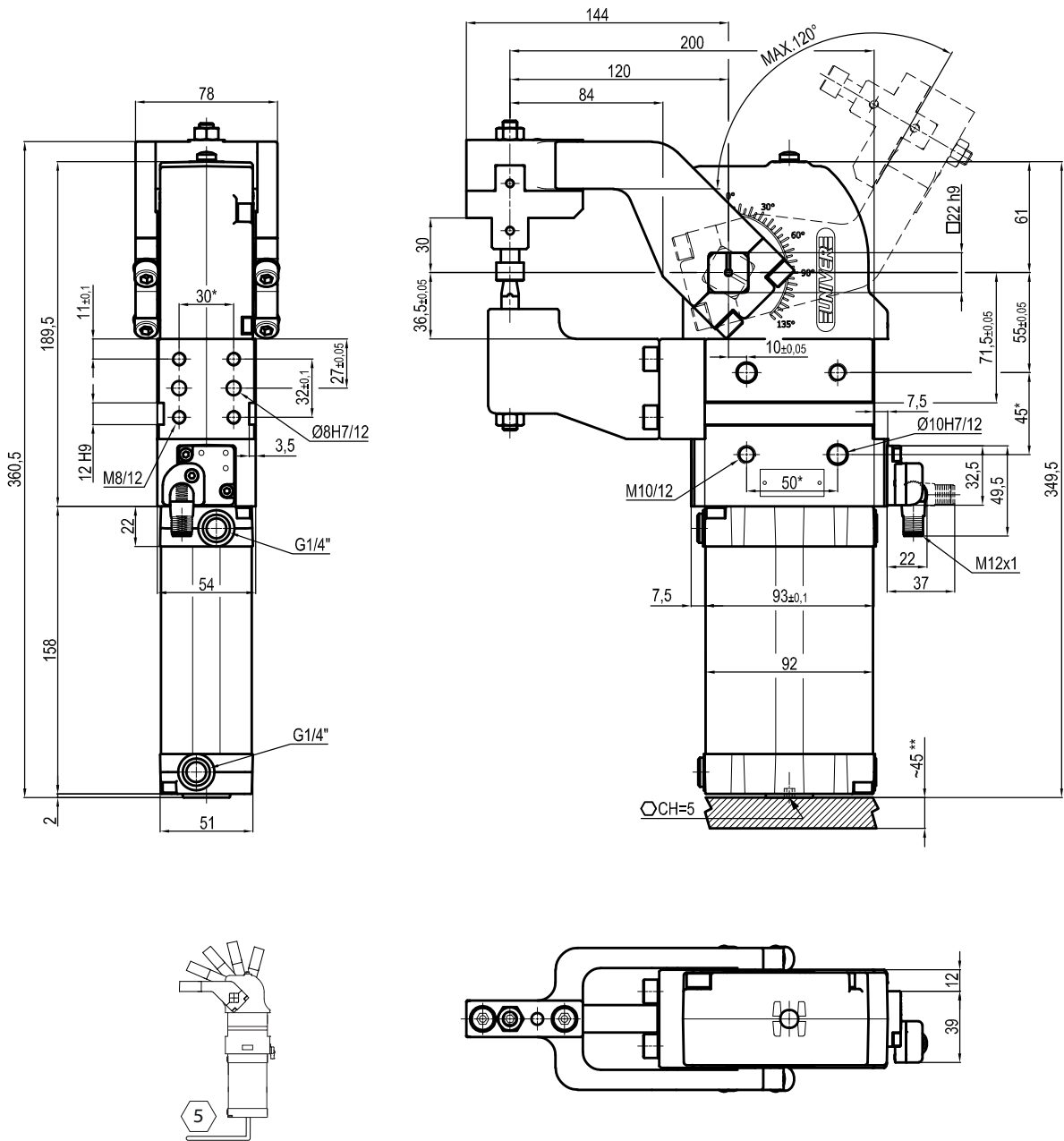
6 CHARACTER
00 = Without character (Standard)
Progressive numbers are assigned by the Sales Dept.

7 CONNECTIONS
F = front side (in front of the sensor)

8 PRODUCT REVISION
Assigned by UNIVER

9 ATEX
X = ATEX option
See ATEX Catalogue for types and versions

F Character mounting
On the fixed part



7

* TOLERANCE BETWEEN DOWELS $\pm 0,02$, BETWEEN SCREW HOLES $\pm 0,1$
** AREA TO ACCESS ANGLE ADJUSTMENT

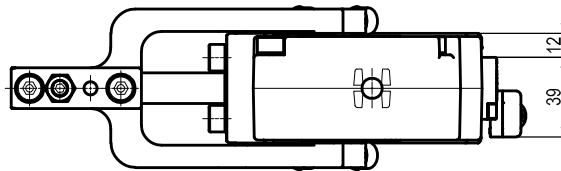
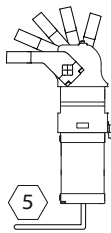
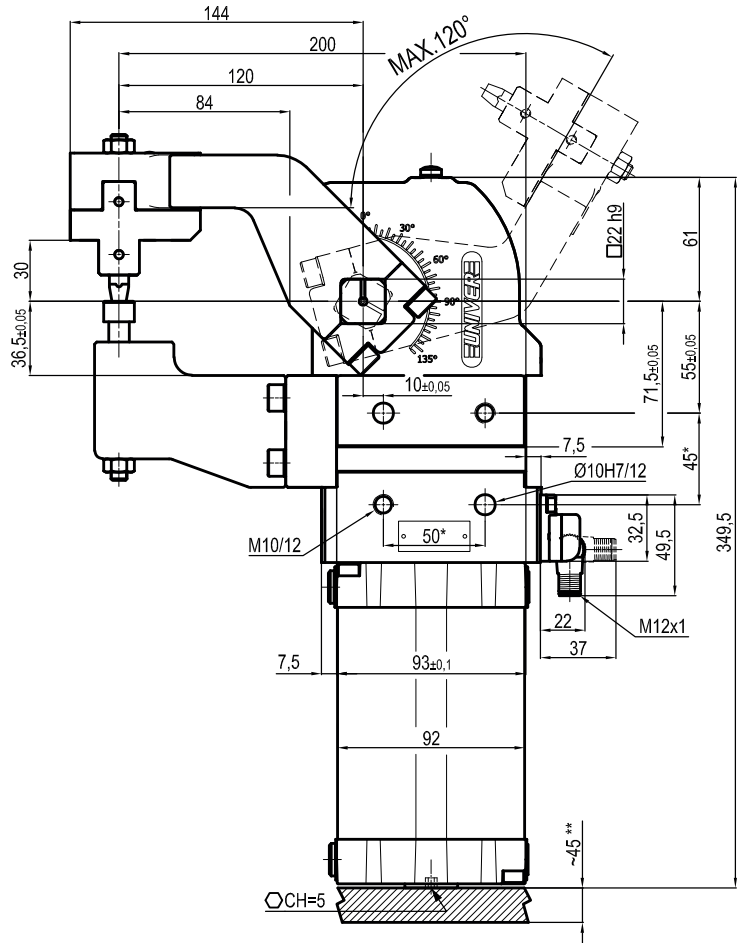
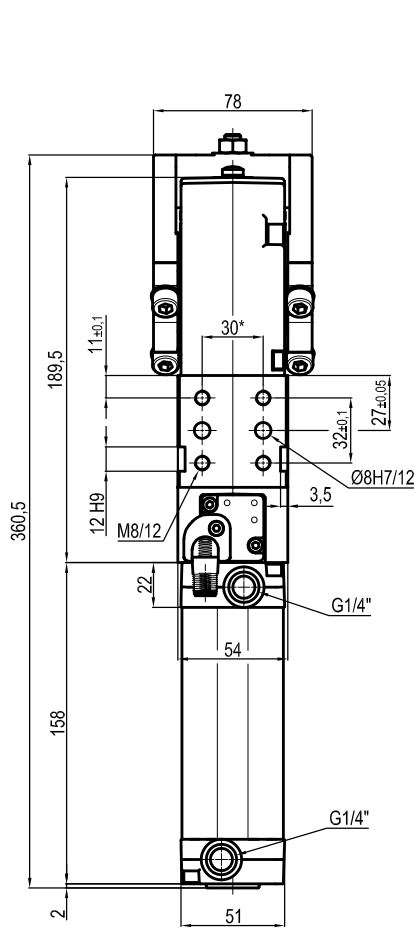
Sensors



Electronic (optical)

- DF-K PNP M12
- DF-J NPN M12
- DF-Y PNP M12 White LED

M Character mounting
On the moving part



* TOLERANCE BETWEEN DOWELS $\pm 0,02$, BETWEEN SCREW HOLES $\pm 0,1$
** AREA TO ACCESS ANGLE ADJUSTMENT

Sensors

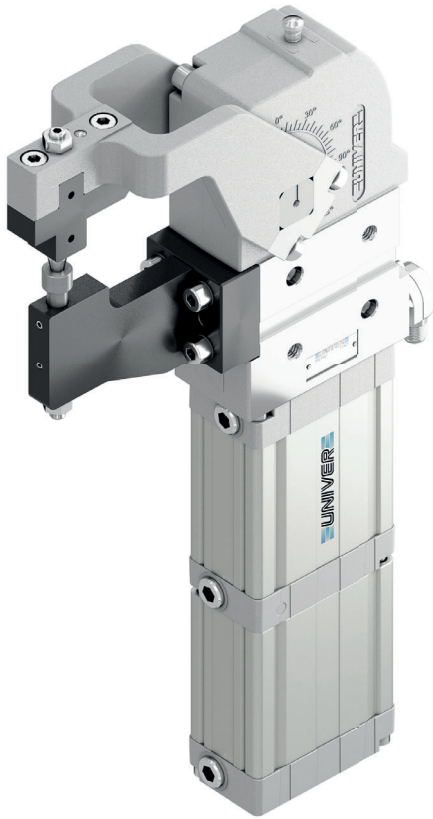


Electronic (optical)

- DF-K PNP M12
- DF-J NPN M12
- DF-Y PNP M12 White LED

UPD 05

Marking unit with single character, 500 Nm



Marking unit with 500 Nm clamping moment specially designed for marking one single character on metal sheets. High customisation thanks to the possibility to choose the marking position and character.

- Different marking characters available
- Possibility to choose the marking position (from above or from below)
- Integrated compensation up to 2 mm
- 75° opening angle
- Optical sensor
- Possibility to translate the position of the metal sheet vertically

CHARACTERISTICS

Operating temperature	5° ÷ 45° C
Min./Max. Operating pressure	0,4 / 0,6 MPa
Opening angle	0 ÷ 75°
Cylinder bore Ø	63 mm
Marking force (0,5 MPa)	4 KN
Clamping moment (0,55 Mpa)	500 Nm
Weight	6,6 kg
Air cycle (0,5 MPa)	3,7 NI
Pneumatic supply ports	G1/4 on both sides
Sensor	electronic (optical)
Supply voltage	10 ÷ 30 Vdc
IP code	IP 65

CODIFICATION KEY

UPD	05	08	OF	M	00	F	0	
1	2	3	4	5	6	7	8	9

1	SERIES UPD = UNICLAMP Marking units single character	6	CHARACTER 00 = Without character (Standard) Progressive numbers are assigned by the Sales Dept.
2	VERSION 05 = 500 Nm Ø 63 mm tandem cylinder	7	CONNECTIONS F = front side (in front of the sensor)
3	SIZE 08 = 84 mm	8	PRODUCT REVISION Assigned by UNIVER
4	OPENING ANGLE OF = 75° fixed	9	ATEX X = ATEX option See ATEX Catalogue for types and versions
5	CHARACTER MOUNTING M = on the moving part F = on the fixed part		

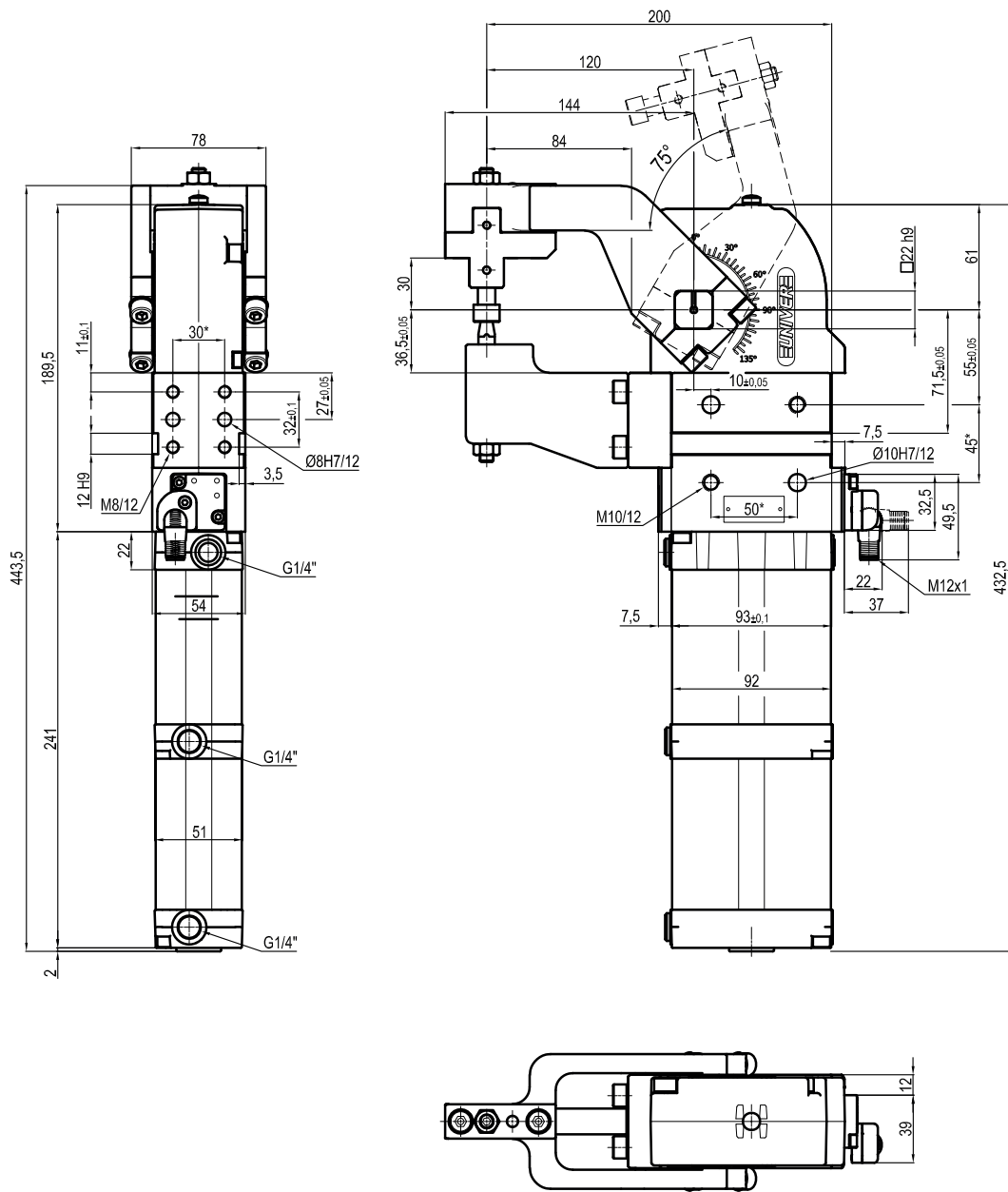


COMPENSATION



OPTICAL SENSOR

F Character mounting
On the fixed part



* TOLERANCE BETWEEN DOWELS $\pm 0,02$, BETWEEN SCREW HOLES $\pm 0,1$
** AREA TO ACCESS ANGLE ADJUSTMENT

Sensors

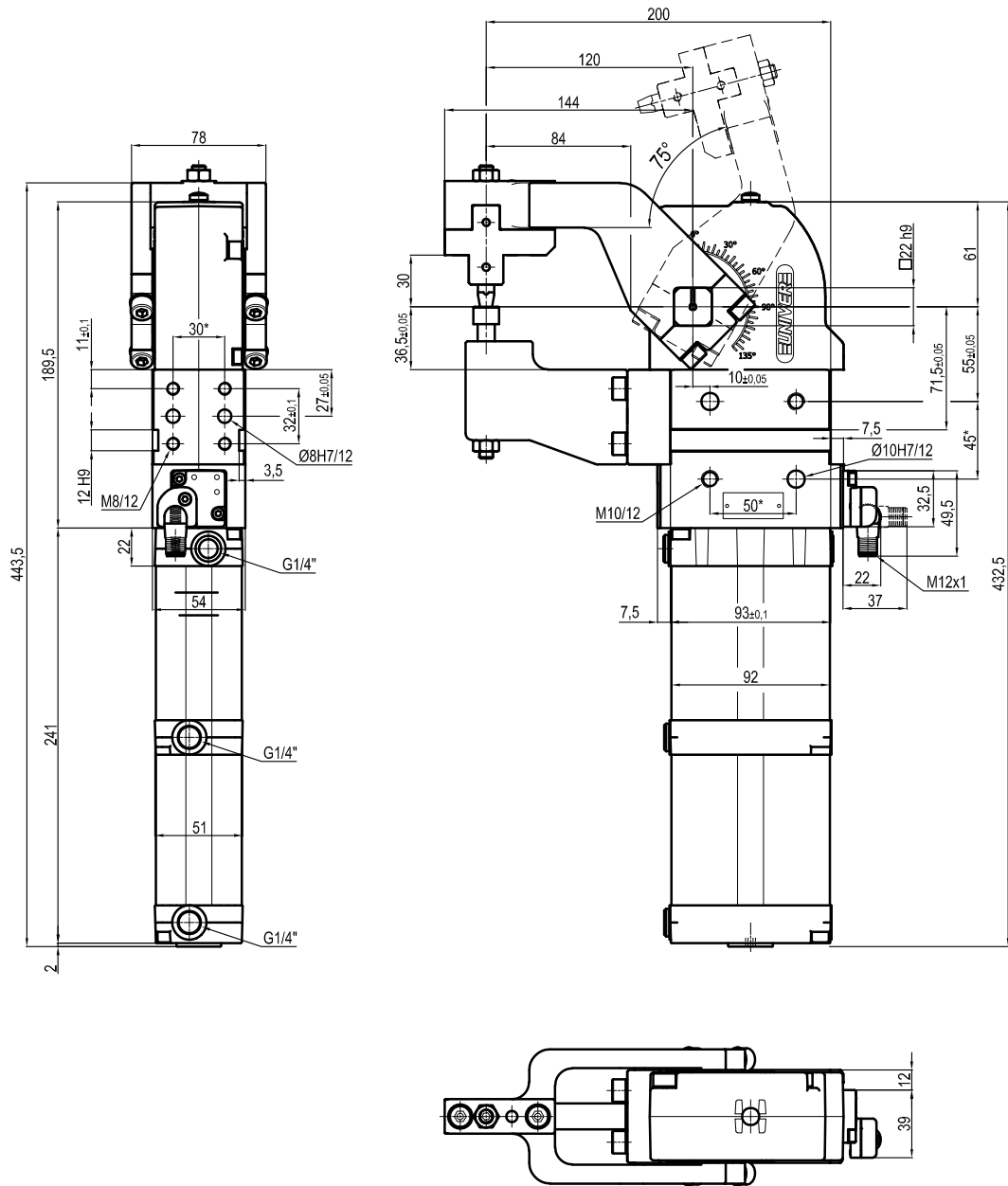


Electronic (optical)

- DF-K PNP M12
- DF-J NPN M12
- DF-Y PNP M12 White LED

M Character mounting

On the moving part



* TOLERANCE BETWEEN DOWELS ± 0,02, BETWEEN SCREW HOLES ± 0,1
 ** AREA TO ACCESS ANGLE ADJUSTMENT

Sensors

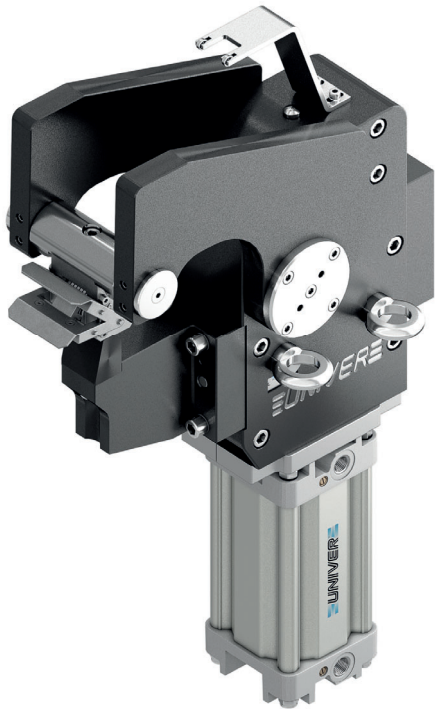


Electronic (optical)

- DF-K PNP M12
- DF-J NPN M12
- DF-Y PNP M12 White LED

UPR 05

Marking unit with marking head, 5000 Nm



Marking unit with 5000 Nm clamping moment specially designed for marking serial numbers on metal sheets. The integrated compensation allows to mark different metal sheet thickness (up to 2 mm) without further adjustments. High customisation rate thanks to the possibility to choose the marking position and the marking head type: number of characters, character height and depth.

- Marking head up to 7 characters
- Integrated compensation up to 2 mm
- Automatic or manual marking head available
- Possibility to orient the marking surface
- 73° opening angle
- Optical sensor
- Fully protected Internal mechanical system

CHARACTERISTICS

Operating temperature	5° ÷ 45° C
Min./Max. Operating pressure	0,4 / 0,6 MPa
Opening angle	73°
Cylinder bore Ø	100 mm
Marking force (0,5 MPa)	80 mm (38,5 KN) 130 mm (27,5 KN)
Moment (0,55 Mpa)	5000 Nm
Weight	80 mm (71 Kg) 130 mm (77 Kg)
Air cycle (0,5 MPa)	11,2 NI
Pneumatic supply ports	G1/2
Sensor	electronic (optical)
Supply voltage	10 ÷ 30 Vdc
IP code	IP 65

CODIFICATION KEY

UPR	05	08	73	M	EE	S	0	
1	2	3	4	5	6	7	8	9



COMPENSATION



OPTICAL SENSOR

1 SERIES
UPR = UNICLAMP Marking units

2 SIZE
05 = 5000 Nm Ø 100 mm cylinder

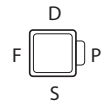
3 ARM
08 = 82 mm
13 = 132 mm
_ _ = other dimensions available

4 OPENING ANGLE
73 = 73° Fixed opening angle
_ _ = other opening angles available

5 MARKING HEAD POSITION
M = on the moving part
F = on the fixed part

6 PROGRESSIVE NUMBERING
EE = Standard version
Progressive numbers are assigned by the Sales Dept.

7 CONNECTIONS
S = Left side (Standard)
D = Right side
F = Front side
P = Rear side

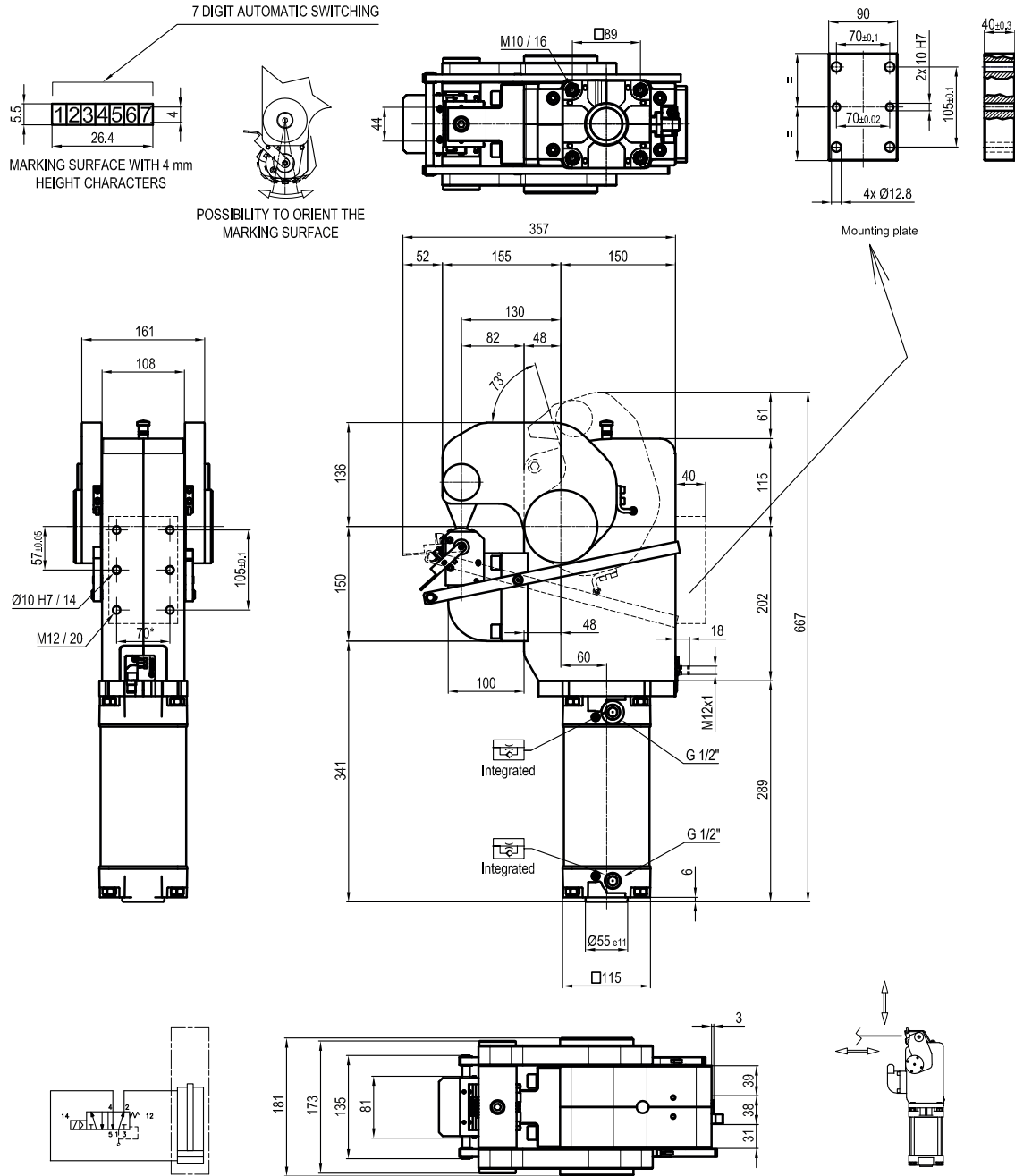


8 PRODUCT REVISION
Assigned by UNIVER

9 ATEX
X = ATEX option
See ATEX Catalogue for types and versions

08/F Character mounting

On the fixed part



* TOLERANCE BETWEEN DOWELS ± 0,02, BETWEEN SCREW HOLES ± 0,1

Sensors



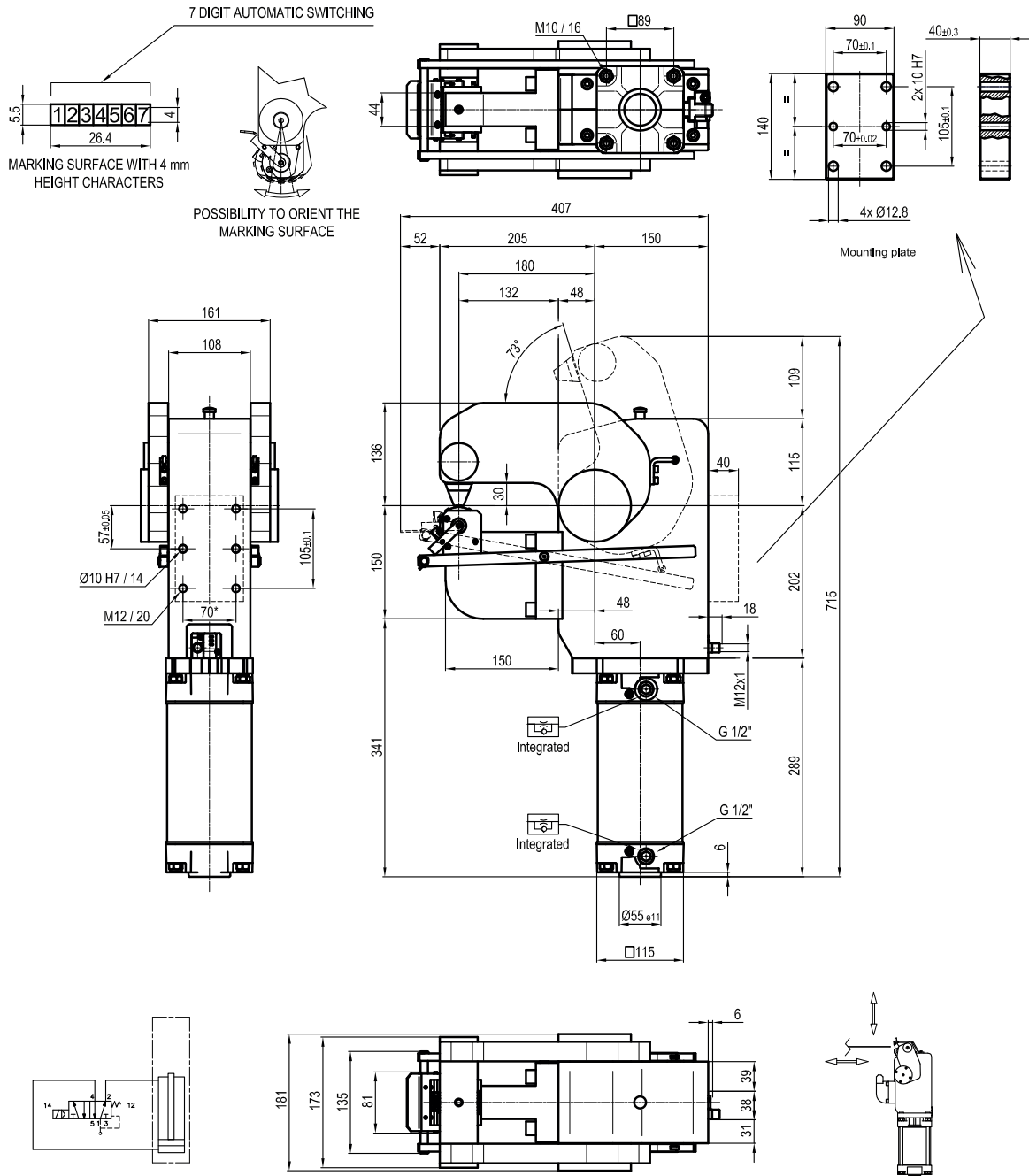
Electronic (optical)

- DF-K PNP M12
- DF-J NPN M12
- DF-Y PNP M12 White LED

13/F

Character mounting

On the fixed part



* TOLERANCE BETWEEN DOWELS ± 0,02, BETWEEN SCREW HOLES ± 0,1

Sensors

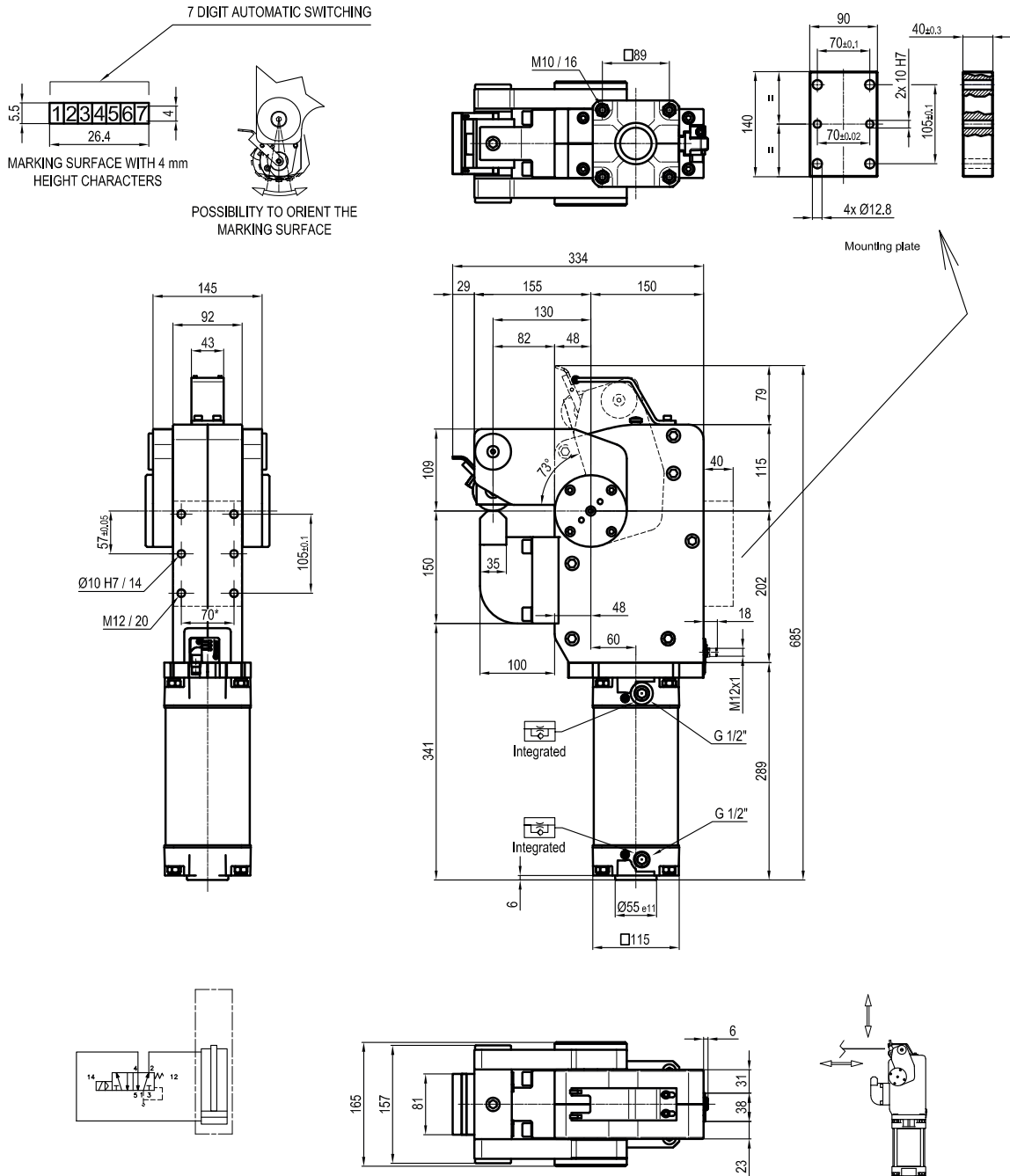


Electronic (optical)

- DF-K PNP M12
- DF-J NPN M12
- DF-Y PNP M12 White LED

08/M | Character mounting

On the moving part



7

* TOLERANCE BETWEEN DOWELS ± 0,02, BETWEEN SCREW HOLES ± 0,1

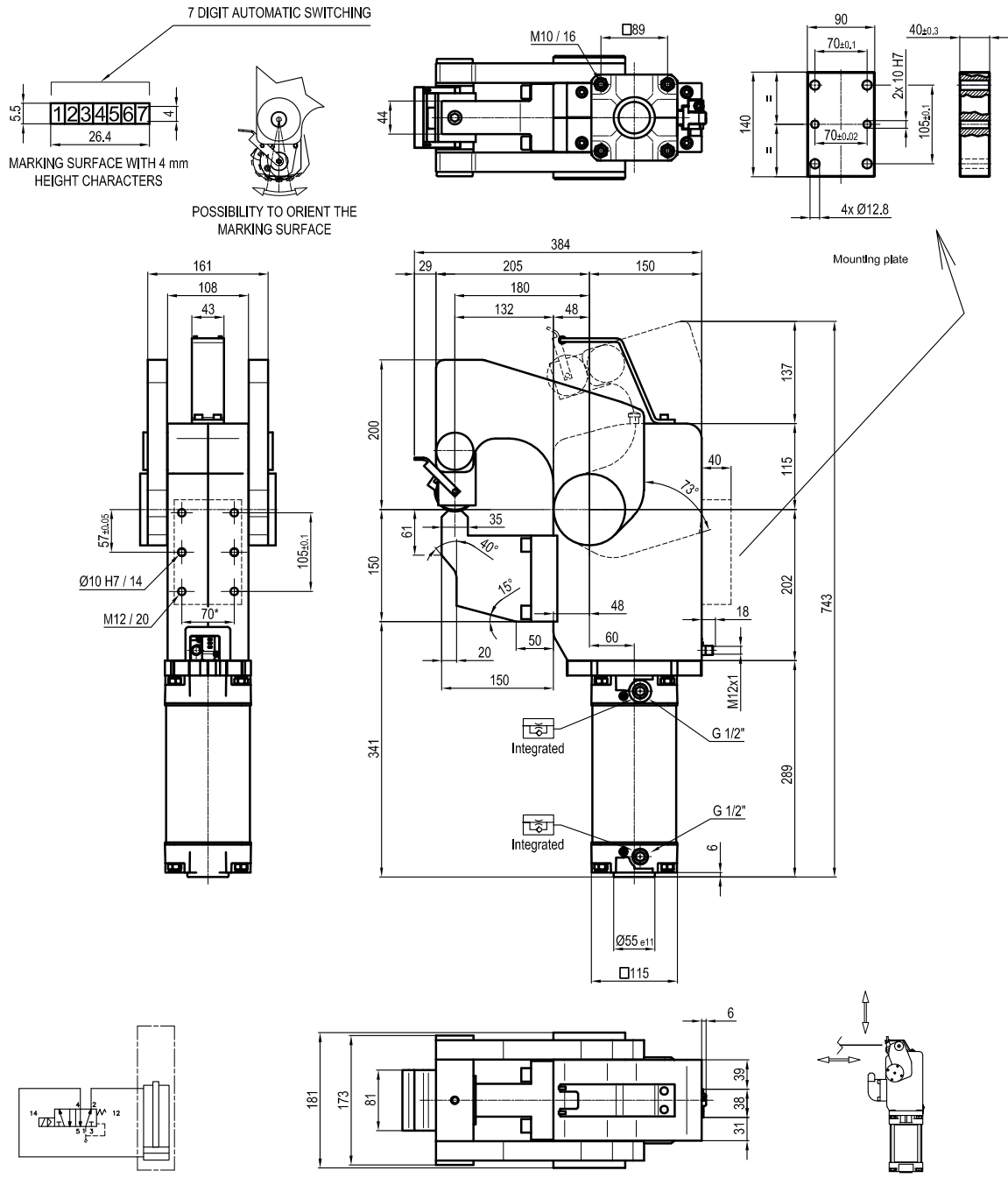
Sensors



- Electronic (optical)
- DF-K PNP M12
- DF-J NPN M12
- DF-Y PNP M12 White LED

13/M Character mounting

On the moving part



* TOLERANCE BETWEEN DOWELS ± 0,02, BETWEEN SCREW HOLES ± 0,1

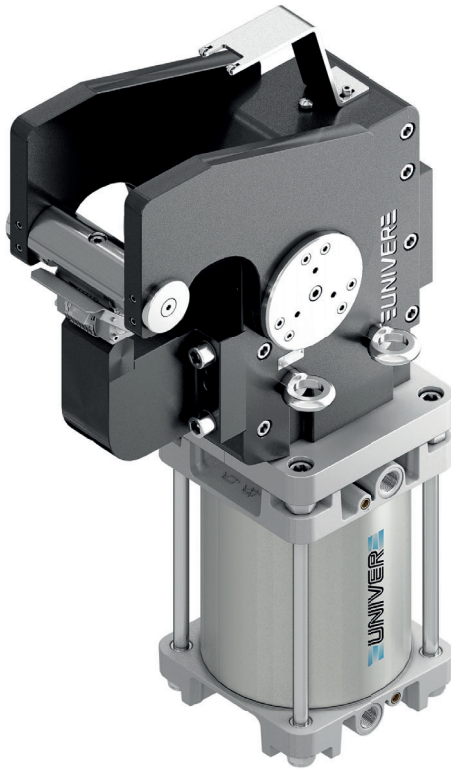
Sensors



- Electronic (optical)
- DF-K PNP M12
- DF-J NPN M12
- DF-Y PNP M12 White LED

UPR 11

Marking unit with marking head, 12000 Nm



Marking unit with 12000Nm clamping moment specially designed for marking serial numbers on metal sheets. The integrated compensation allows to mark different metal sheet thickness (up to 2 mm) without further adjustments. High customisation rate thanks to the possibility to choose the marking position and the marking head type: number of characters, character height and depth.

- Marking head up to 8 characters
- Integrated compensation up to 2 mm
- Automatic or manual marking head available
- Possibility to orient the marking surface
- 73° opening angle
- Electronic sensor
- Fully protected internal mechanical system

CHARACTERISTICS

Operating temperature	5° ÷ 45° C
Min./Max. Operating pressure	0,4 / 0,6 MPa
Opening angle	73°
Cylinder bore Ø	200 mm
Marking force (0,5 MPa)	62 KN
Moment (0,55 Mpa)	12000 Nm
Weight	133 kg
Air cycle (0,5 MPa)	55,5 NI
Pneumatic supply ports	G3/4
Sensor	electronic (optical)
Supply voltage	10 ÷ 30 Vdc
IP code	IP 65

CODIFICATION KEY

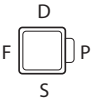
UPR	11	13	73	M	EE	S	0	
1	2	3	4	5	6	7	8	9



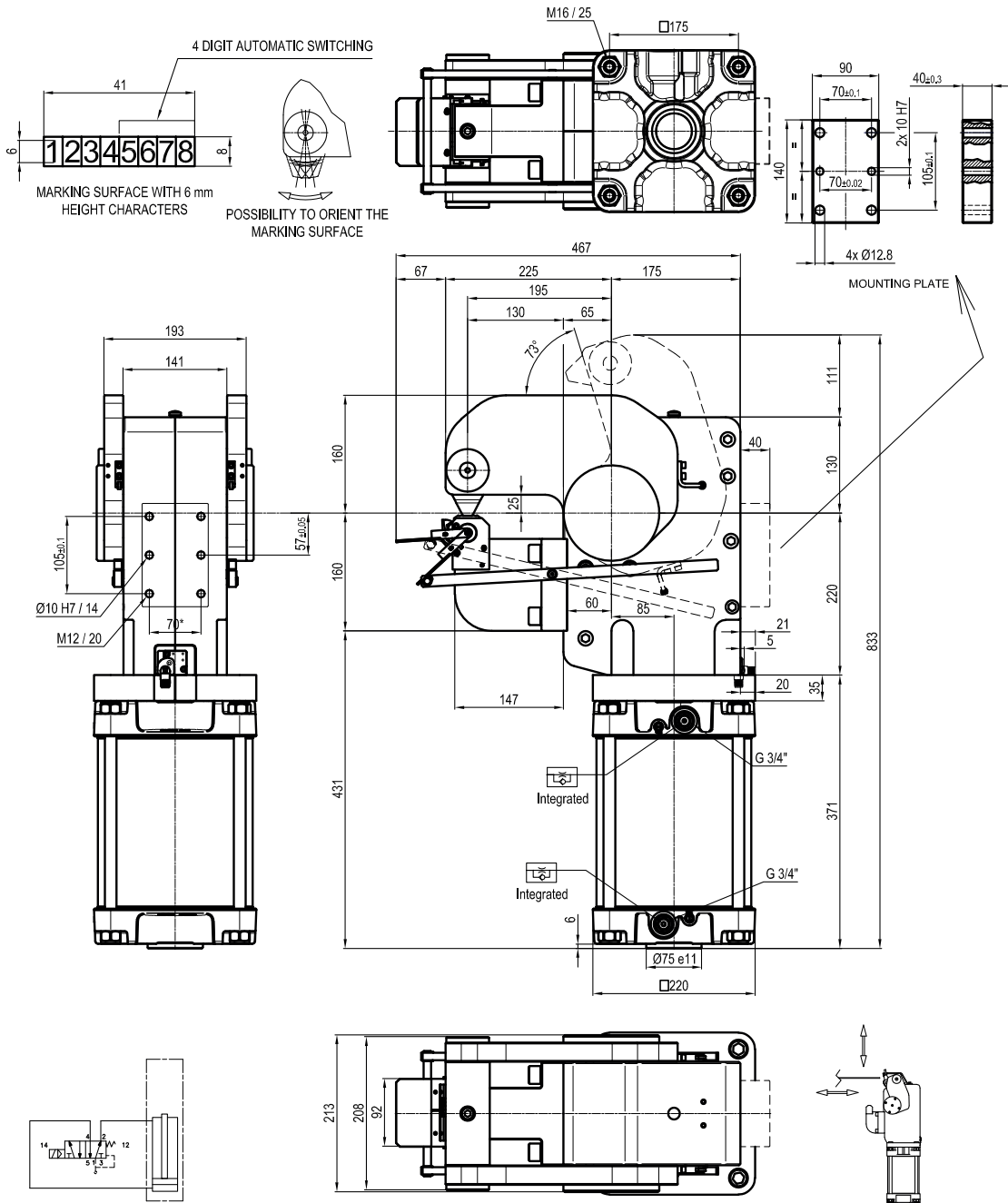
COMPENSATION



OPTICAL SENSOR

<p>1 SERIES UPR = UNICLAMP Marking units</p>	<p>6 PROGRESSIVE NUMBERING EE = Standard version Progressive numbers are assigned by the Sales Dept.</p>
<p>2 SIZE 11 = 12000 Nm Ø200 mm cylinder</p>	<p>7 CONNECTIONS S = Left side (Standard) D = Right side F = Front side P = Rear side</p> 
<p>3 ARM 13 = 130 mm __ = other dimensions available</p>	<p>8 PRODUCT REVISION Assigned by UNIVER</p>
<p>4 OPENING ANGLE 73 = 73° Fixed opening angle __ = other opening angles available</p>	<p>9 ATEX X = ATEX option See ATEX Catalogue for types and versions</p>
<p>5 MARKING HEAD POSITION M = on the moving part F = on the fixed part __ = other opening angles available</p>	

F Character mounting
On the fixed part



* TOLERANCE BETWEEN DOWELS $\pm 0,02$, BETWEEN SCREW HOLES $\pm 0,1$

Sensors



Electronic (optical)

- DF-K PNP M12
- DF-J NPN M12
- DF-Y PNP M12 White LED



Industrial Automation

UNIVER S.p.A.

Headquarters

20128 **Milano**
Via Eraclito, 31
Tel. +39 02 25298.1
Fax +39 02 2575254
info@univer-group.com
www.univer-group.com

UNIVER SERVICE S.r.l.

Headquarters

20128 **Milano**
Via Empedocle, 20
Tel. +39 02 25298.1
Fax +39 02 25298370
universervice@universervice.it
www.universervice.it

Branch Offices

LOMBARDIA

20128 - **Milano**
Via Empedocle, 20
Tel. +39 02 25298.1
Fax +39 02 25298370
milano@universervice.it

PIEMONTE/LIGURIA/VALLE D'AOSTA

10071 Borgaro Torinese **Torino**
Via Veneto, 18
Tel. +39 011 4501871
Fax +39 011 4502898
torino@universervice.it

VENETO/FRIULI VENEZIA-GIULIA TRENTINO-ALTO ADIGE

30030 Vigonovo **Venezia**
Via Prima strada 16/A - Loc. Galta
Tel. +39 049 9834140
Fax +39 049 9833972
vigonovo@universervice.it

EMILIA ROMAGNA

40069 Zola Predosa **Bologna**
Via Balzani, 5
Tel. +39 051 753907
Fax +39 051 6184751
bologna@universervice.it

CENTRO/SUD

40069 Zola Predosa **Bologna**
Via Balzani, 5
Tel. +39 051 753907
Fax +39 051 6184751
bologna@universervice.it

UNIVER DO BRASIL Ltda

BRAZIL - 13474-764
Americana São Paulo
Rua do Polyester, 29
Distrito Industrial Abdo Najar
Tel. +55 19 3113-9400
atendimento@univer.com.br

UNIVER CHINA

CHINA - Shanghai
399 Fu Te North Road,
Free Zone, Pudong
info@univer-china.com

UNIVER FRANCE S.a.s.

FRANCE - 68000
Colmar
1, rue Denis Papin
Tel. +33 3 89210900
Fax +33 3 89216850
info@univer-france.fr

UNIVER G.m.b.H.

GERMANY - D-65428
Rüsselsheim
Eisenstraße 51
Tel. +49 6142 408320
Fax +49 6142 4083290
info@univer-gmbh.de

UNIVER NORTH AMERICA

USA - 48083
Troy - Michigan
1904 Woodslee DR
Tel. +1 248 299 0525
Fax +1 248 299 0528
info@univer-group.us

UNIVER POLSKA Sp. z o.o.

POLAND - 25-663
Kielce
ul. K. Olszewskiego 21E
Tel. +48 41 278 72 53
Fax +48 41 278 72 54
univer@univer-group.pl

UNIVER S.L.

SPAIN - 08210
Barbera Del Valles **Barcelona**
Ronda Industria, 26 - 28
Tel. +34 93 7297360
Fax +34 93 7297380
univer@univerweb.com



www.univer-group.com

Distributors worldwide:

Get in touch with UNIVER Sales Department
or visit our website www.univer-group.com