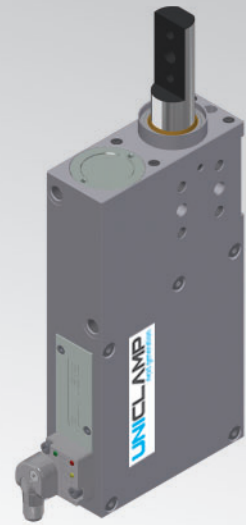






# ULZ40

Unità di centraggio pneumatica UNICLAMP  
irreversibile, singola asta



U	L	Z	4	0	0	4	0	A	E	K	0
1	2	3	4				5	6	7	8	

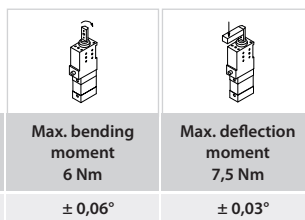
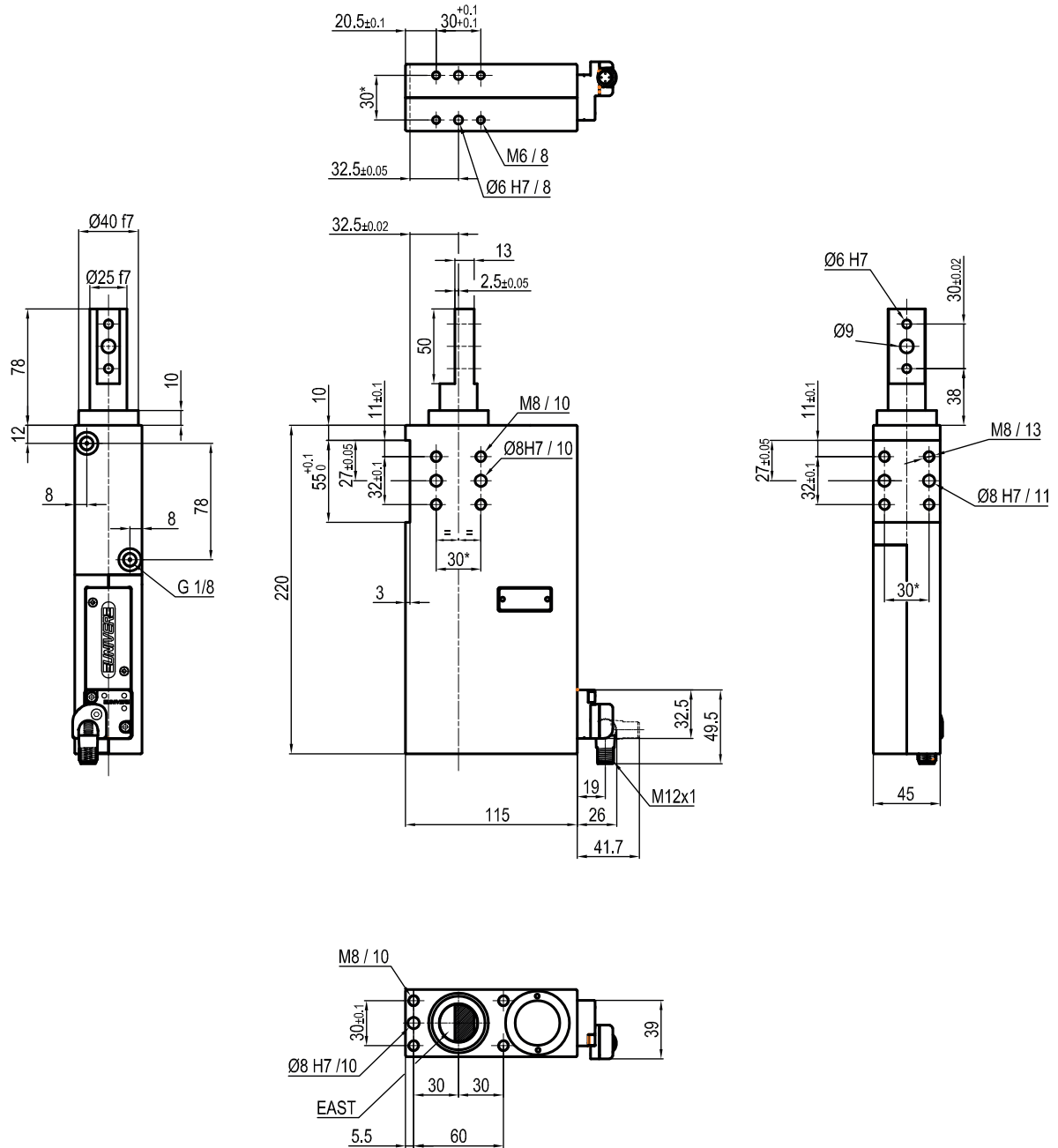
<b>1 Serie</b>	<b>2 Versione</b>	<b>3 Taglia</b>
UL = Unità di centraggio UNICLAMP	Z = Pneumatica irreversibile, singola asta	40 = Ø 40 mm

<b>4 Corsa</b>	<b>5 Terminale asta</b>	<b>6 Orientamento asta</b>
040 = 40 mm	<p>A = Asta per centraggi dislocati</p> <p>B = Asta con impronta a chiavetta</p> <p>C = Asta con impronta a chiavetta a croce, Ø interno 16 mm</p> <p>D = Asta per centraggi dislocati con fori spina maggiorati</p>	<p>X = Simmetrico</p> <p>E* = Est </p> <p>O* = Ovest </p> <p>N* = Nord </p> <p>S* = Sud </p>

\*Solo con terminale asta A o D

<b>7 Sensore</b>	<b>8 Revisione prodotto</b>
<p>N = Senza sensore (con piastra di chiusura)</p> <p>K = Sensore elettronico PNP (ottico) (DF-K)</p>	Assegnato da UNIVER

## ULZ40040A\_K0

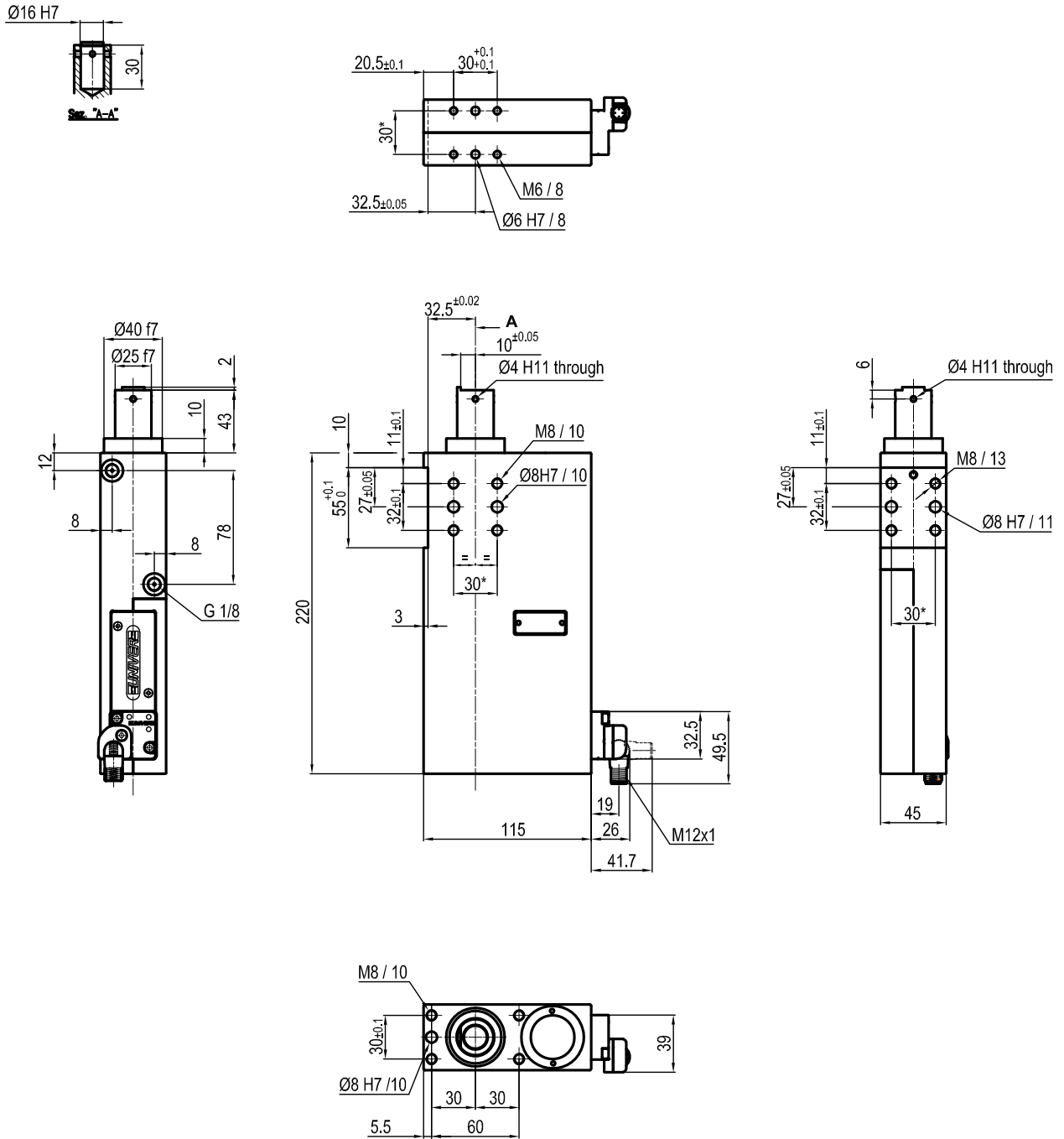


Bore Ø	Min. pull force 0,5 MPa	Max. push force 0,5 MPa	Max. bending moment 6 Nm	Max. deflection moment 7,5 Nm	Weight
40 mm	200 N	3100 N	± 0,06°	± 0,03°	5,7 Kg

Min./Max. operating pressure: **0,4 / 0,6 MPa**  
 Operating temperature: **5° ÷ 45° C**  
 Strokes in mm: **40**  
 Electronic sensor with M12 swivel connector, from 0° to 90°,  
 in steps of 10°  
 Supply voltage: 10 ÷ 30 Vdc  
 IP code: **IP 65**

\*: TOLERANCE BETWEEN DOWEL HOLES ± 0,02, BETWEEN SCREW HOLES ± 0,1

Subject to technical modifications without notice

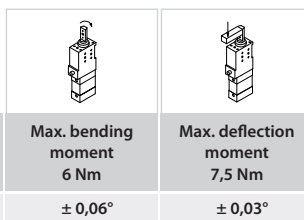
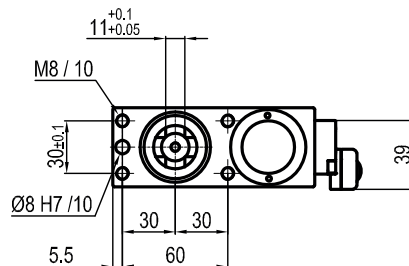
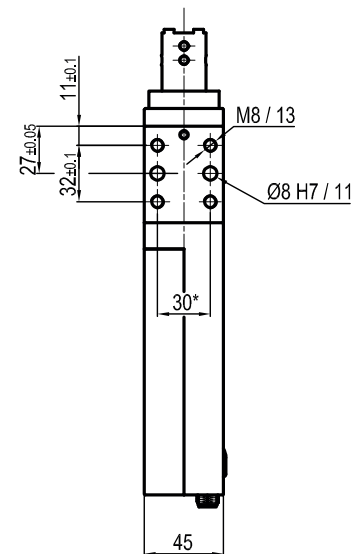
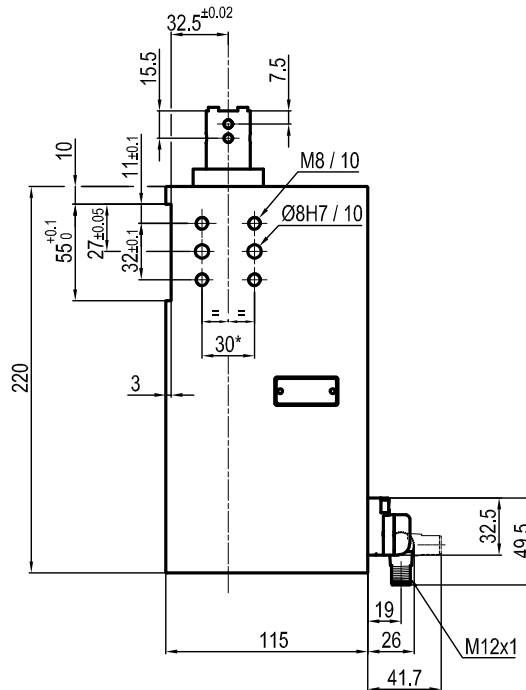
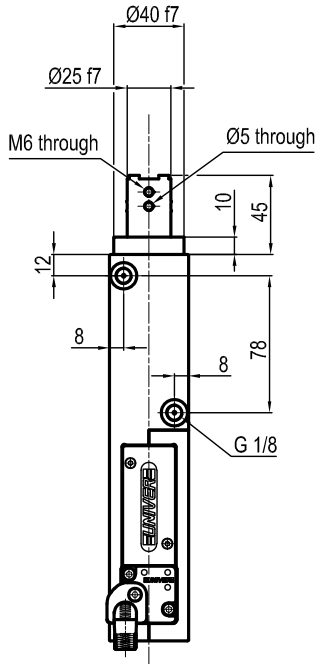
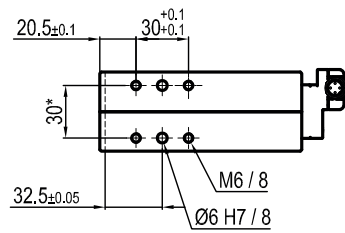
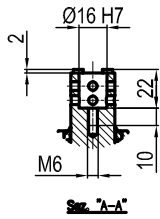
**ULZ40040BXK0**


Bore Ø	Min. pull force 0,5 MPa	Max. push force 0,5 MPa	Max. bending moment 6 Nm	Max. deflection moment 7,5 Nm	Weight
40 mm	200 N	3100 N	± 0,06°	± 0,03°	5,7 Kg

Min./Max. operating pressure: **0,4 / 0,6 MPa**  
 Operating temperature: **5° ÷ 45° C**  
 Strokes in mm: **40**  
 Electronic sensor with M12 swivel connector, from 0° to 90°, in steps of 10°  
 Supply voltage: 10 ÷ 30 Vdc  
 IP code: **IP 65**

\*: TOLERANCE BETWEEN DOWEL HOLES ± 0,02, BETWEEN SCREW HOLES ± 0,1

Subject to technical modifications without notice

**ULZ40040CXK0**


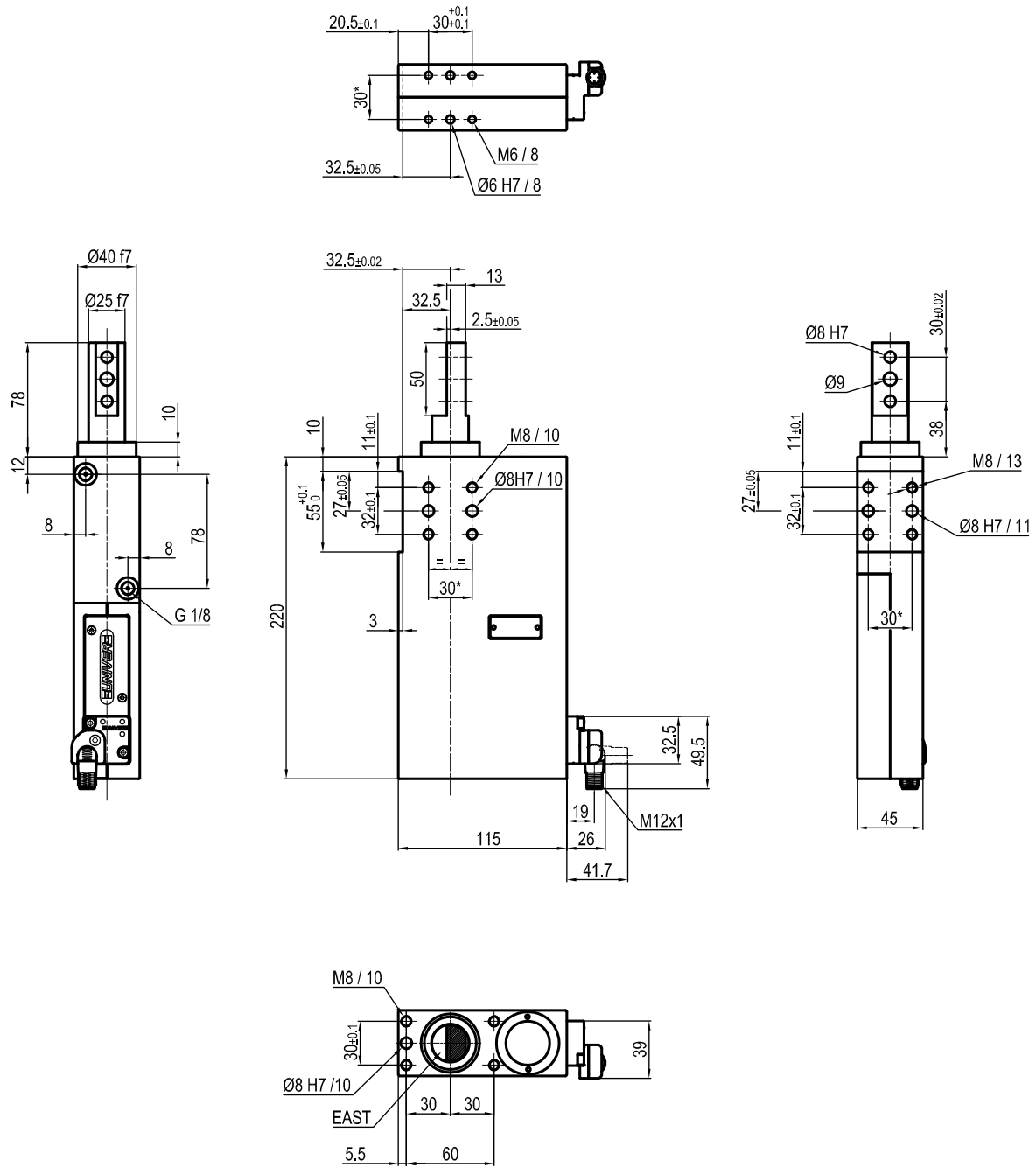
Bore Ø	Min. pull force 0,5 MPa	Max. push force 0,5 MPa	Max. bending moment 6 Nm	Max. deflection moment 7,5 Nm	Weight
40 mm	200 N	3100 N	± 0,06°	± 0,03°	5,7 Kg

Min./Max. operating pressure: **0,4 / 0,6 MPa**  
 Operating temperature: **5° ÷ 45° C**  
 Strokes in mm: **40**  
 Electronic sensor with M12 swivel connector, from 0° to 90°, in steps of 10°  
 Supply voltage: 10 ÷ 30 Vdc  
 IP code: **IP 65**

\*: TOLERANCE BETWEEN DOWEL HOLES ± 0,02, BETWEEN SCREW HOLES ± 0,1

Subject to technical modifications without notice

## ULZ40040D\_K0



Bore Ø	Min. pull force 0,5 MPa	Max. push force 0,5 MPa	Max. bending moment 6 Nm	Max. deflection moment 7,5 Nm	Weight
40 mm	200 N	3100 N	± 0,06°	± 0,03°	5,7 Kg

Min./Max. operating pressure: **0,4 / 0,6 MPa**  
 Operating temperature: **5° ÷ 45° C**  
 Strokes in mm: **40**  
 Electronic sensor with M12 swivel connector, from 0° to 90°,  
 in steps of 10°  
 Supply voltage: 10 ÷ 30 Vdc  
 IP code: **IP 65**

\* : TOLERANCE BETWEEN DOWEL HOLES ± 0,02, BETWEEN SCREW HOLES ± 0,1

Subject to technical modifications without notice