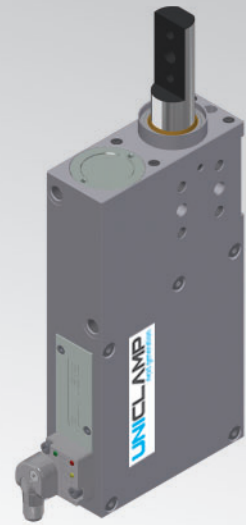


# ULZ40

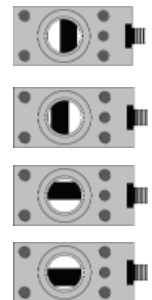
UNICLAMP Pneumatic retractable pin unit, with toggle-joint mechanism, single rod



U	L	Z	4	0	0	4	0	A	E	K	0
1	2	3	4		5	6	7	8			

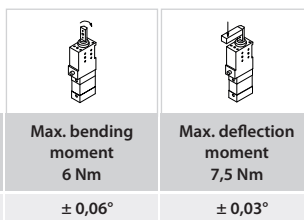
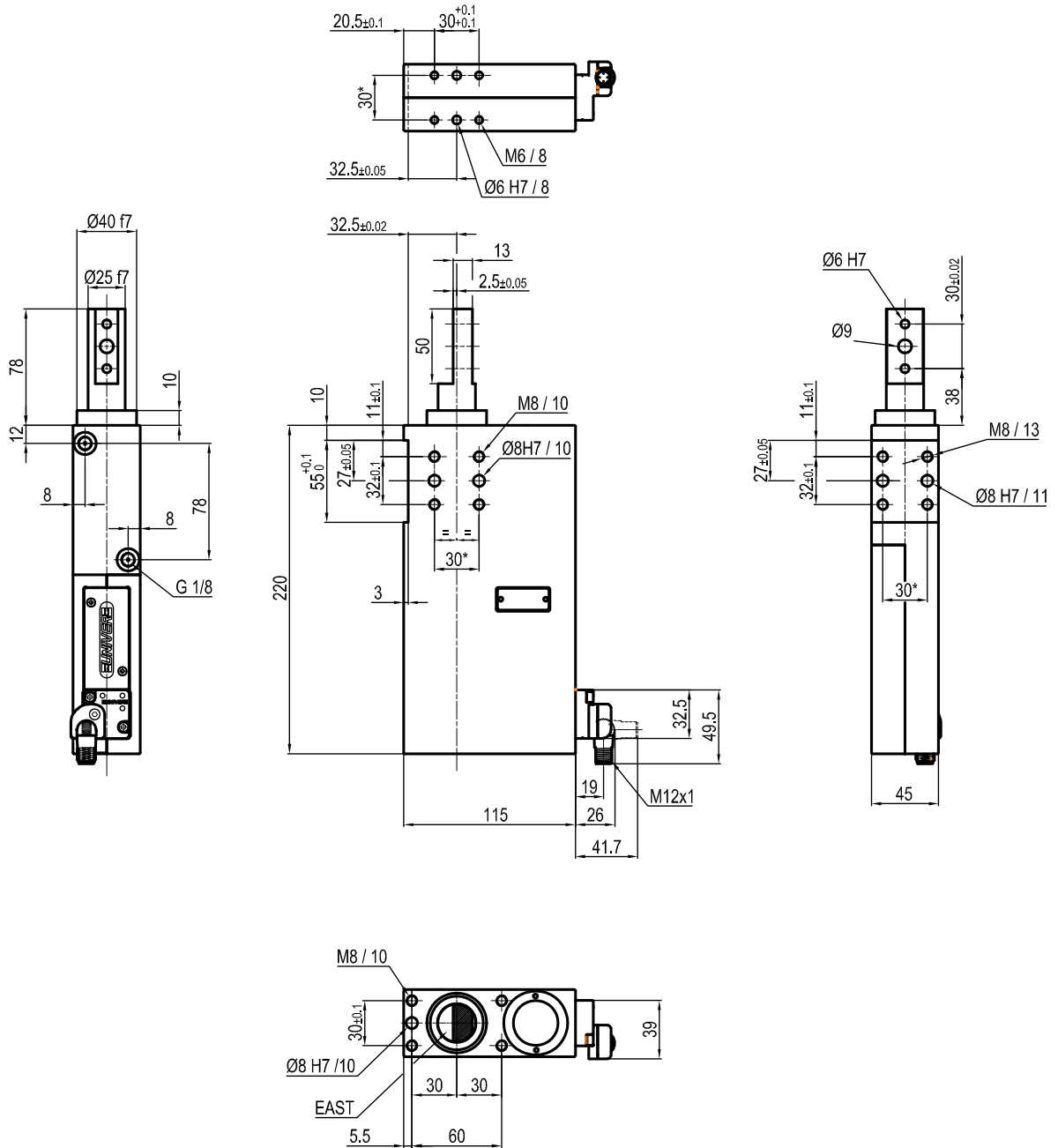
<b>1 Series</b>	<b>2 Version</b>	<b>3 Size</b>
UL = UNICLAMP retractable locating pin unit	Z = Pneumatic, with toggle- joint mechanism single Rod	40 = Ø 40 mm

<b>4 Stroke</b>	<b>5 Rod end style</b>	<b>6 Rod orientation</b>
040 = 40 mm	A = Rod for off-set pins B = Rod with profiled end C = Rod with cross-profiled end inner Ø 16 mm D = Rod for off set pins with oversized dowel holes	X = Symmetrical E* = East O* = West N* = North S* = South



\*only with A and D rod end style

<b>7 Sensor</b>	<b>8 Product Revision</b>
N = No Sensor (with protection plate) K = Electronic Sensor PNP(optical) (DF-K)	Assigned by UNIVER

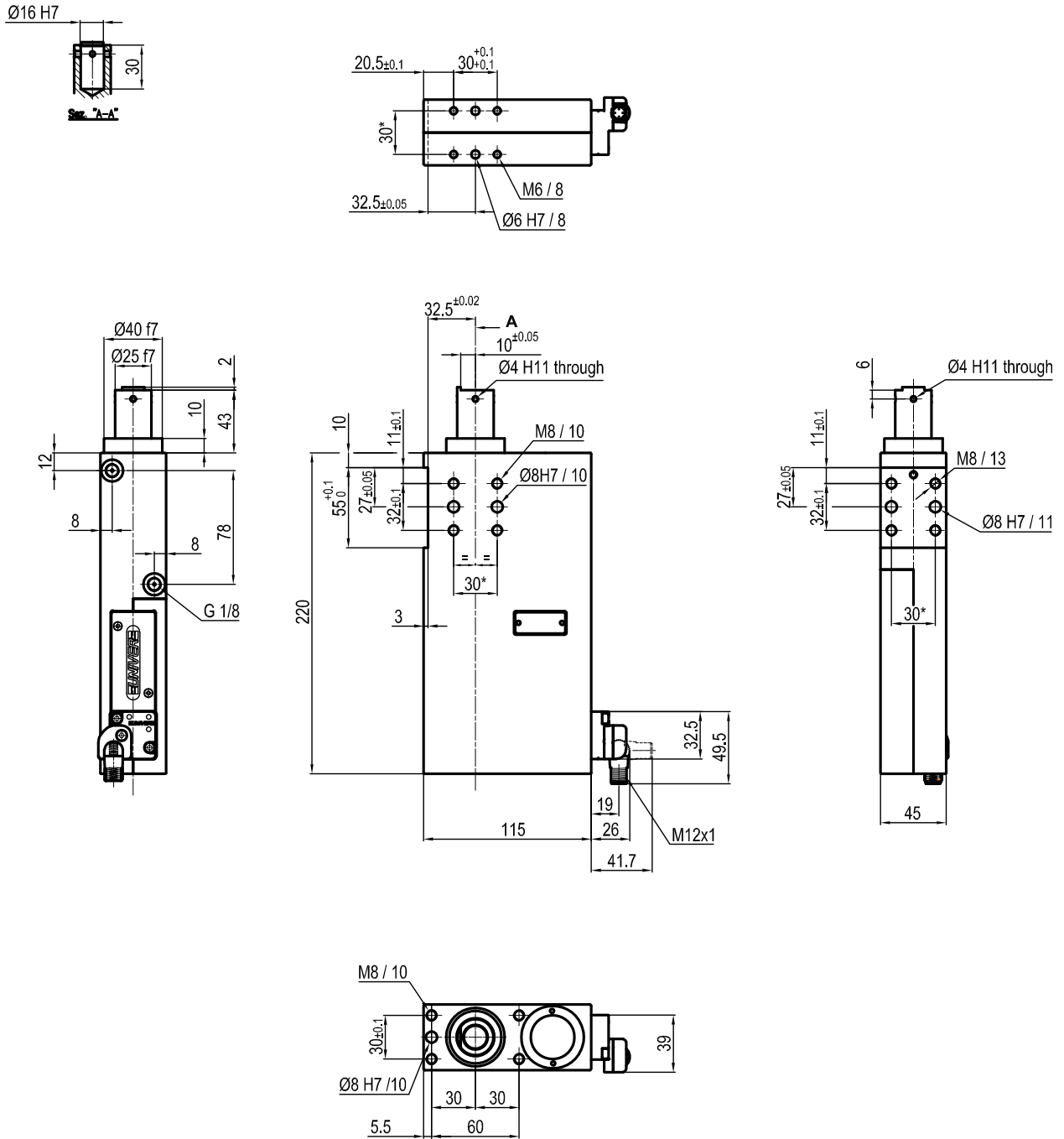
**ULZ40040A\_K0**


Bore Ø	Min. pull force 0,5 MPa	Max. push force 0,5 MPa	Max. bending moment 6 Nm	Max. deflection moment 7,5 Nm	Weight
40 mm	200 N	3100 N	± 0,06°	± 0,03°	5,7 Kg

Min./Max. operating pressure: **0,4 / 0,6 MPa**  
 Operating temperature: **5° ÷ 45° C**  
 Strokes in mm: **40**  
 Electronic sensor with M12 swivel connector, from 0° to 90°,  
 in steps of 10°  
 Supply voltage: 10 ÷ 30 Vdc  
 IP code: **IP 65**

\*: TOLERANCE BETWEEN DOWEL HOLES ± 0,02, BETWEEN SCREW HOLES ± 0,1

Subject to technical modifications without notice

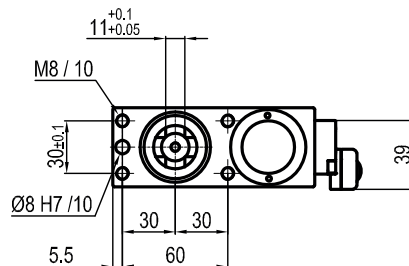
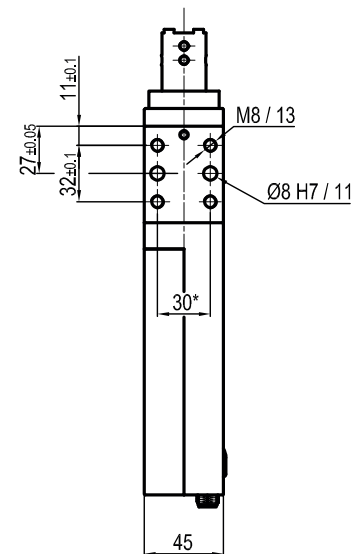
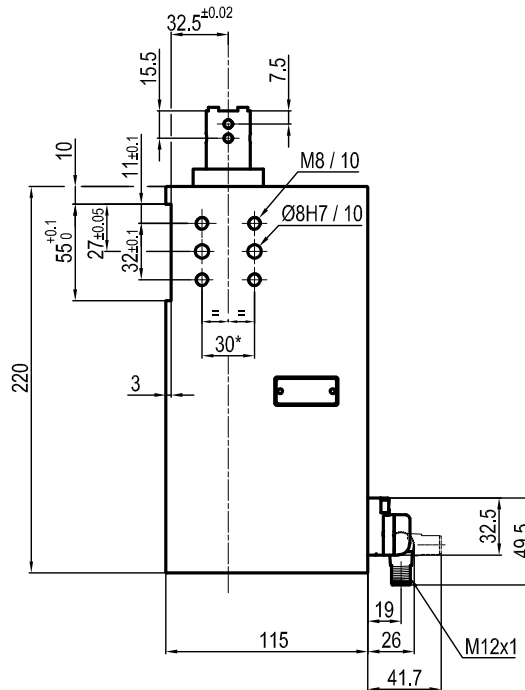
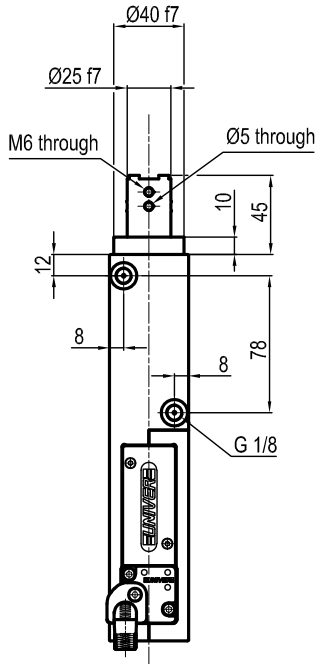
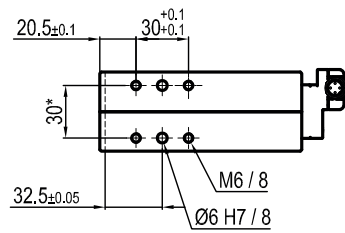
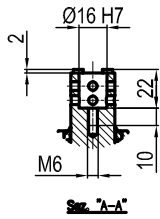
**ULZ40040BXK0**


Bore Ø	Min. pull force 0,5 MPa	Max. push force 0,5 MPa	Max. bending moment 6 Nm	Max. deflection moment 7,5 Nm	Weight
40 mm	200 N	3100 N	± 0,06°	± 0,03°	5,7 Kg

Min./Max. operating pressure: **0,4 / 0,6 MPa**  
 Operating temperature: **5° ÷ 45° C**  
 Strokes in mm: **40**  
 Electronic sensor with M12 swivel connector, from 0° to 90°, in steps of 10°  
 Supply voltage: 10 ÷ 30 Vdc  
 IP code: **IP 65**

\*: TOLERANCE BETWEEN DOWEL HOLES ± 0,02, BETWEEN SCREW HOLES ± 0,1

Subject to technical modifications without notice

**ULZ40040CXK0**


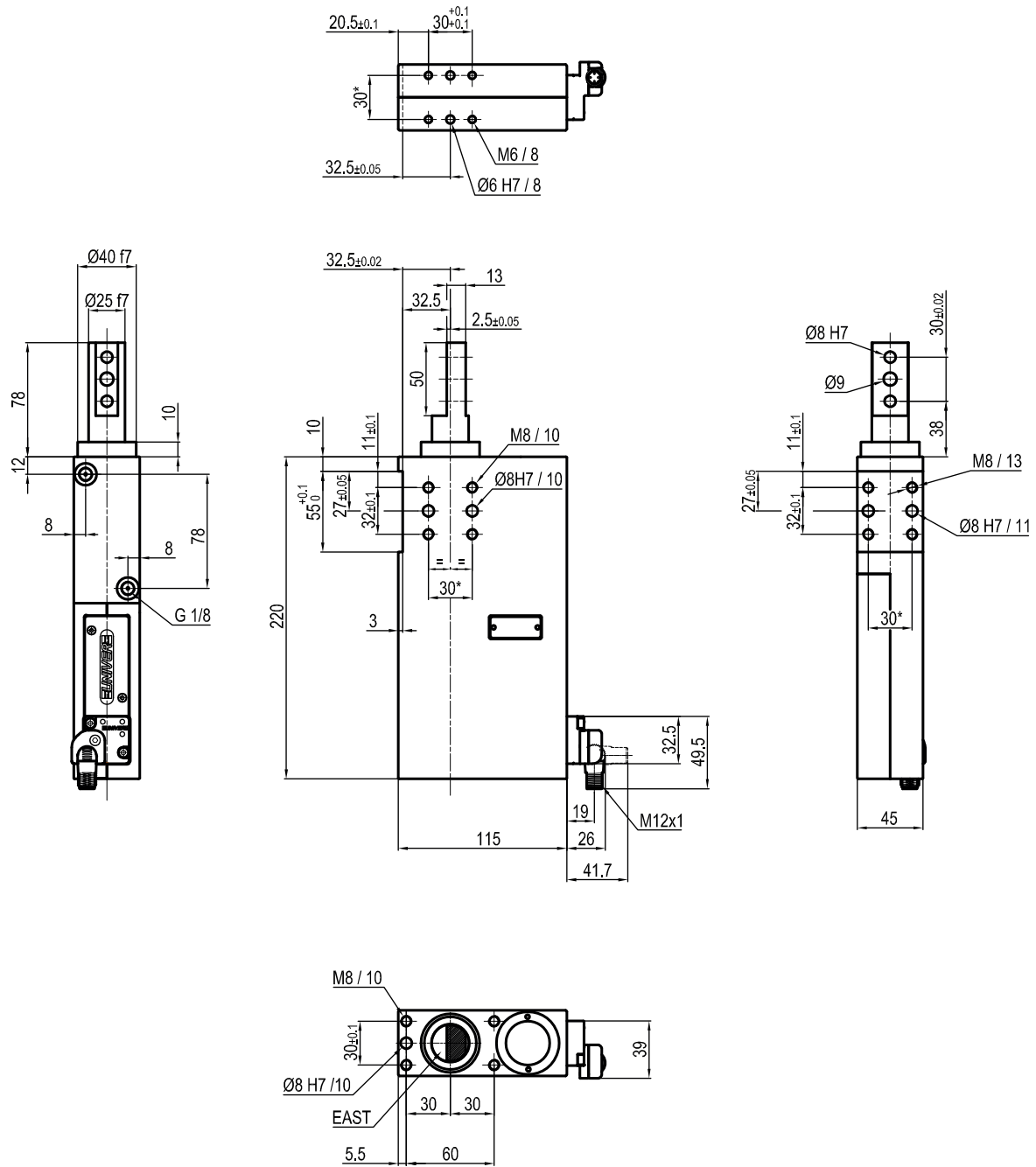
Bore Ø	Min. pull force 0,5 MPa	Max. push force 0,5 MPa	Max. bending moment 6 Nm	Max. deflection moment 7,5 Nm	Weight
40 mm	200 N	3100 N	± 0,06°	± 0,03°	5,7 Kg

Min./Max. operating pressure: **0,4 / 0,6 MPa**  
 Operating temperature: **5° ÷ 45° C**  
 Strokes in mm: **40**  
 Electronic sensor with M12 swivel connector, from 0° to 90°, in steps of 10°  
 Supply voltage: 10 ÷ 30 Vdc  
 IP code: **IP 65**

\*: TOLERANCE BETWEEN DOWEL HOLES ± 0,02, BETWEEN SCREW HOLES ± 0,1

Subject to technical modifications without notice

## ULZ40040D\_K0



Bore Ø	Min. pull force 0,5 MPa	Max. push force 0,5 MPa	Max. bending moment 6 Nm	Max. deflection moment 7,5 Nm	Weight
40 mm	200 N	3100 N	± 0,06°	± 0,03°	5,7 Kg

 Min./Max. operating pressure: **0,4 / 0,6 MPa**

 Operating temperature: **5° ÷ 45° C**

 Strokes in mm: **40**

Electronic sensor with M12 swivel connector, from 0° to 90°, in steps of 10°

Supply voltage: 10 ÷ 30 Vdc

 IP code: **IP 65**

\*: TOLERANCE BETWEEN DOWEL HOLES ± 0,02, BETWEEN SCREW HOLES ± 0,1

Subject to technical modifications without notice

Rev. 01 07.06.21