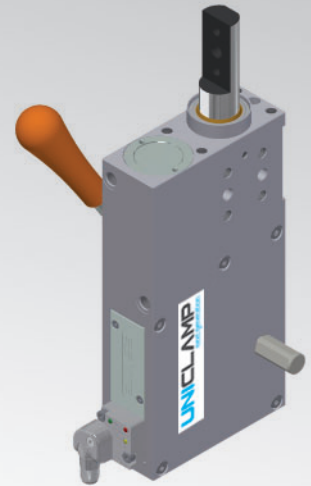


# ULY40

Unità di centraggio pneumatica **UNICLAMP**  
irreversibile con azionamento manuale,  
singola asta



U	L	Y	4	0	0	4	0	A	E	K	0
1	2	3	4				5	6	7	8	

<b>1</b> Serie	<b>2</b> Versione	<b>3</b> Taglia
----------------	-------------------	-----------------

**UL** = Unità di centraggio UNICLAMP

**Y** = Pneumatica, irreversibile,  
con azionamento manuale,  
singola asta

**40** = Ø 40 mm

<b>4</b> Corsa	<b>5</b> Terminale asta	<b>6</b> Orientamento asta
----------------	-------------------------	----------------------------

**040** = 40 mm

**A** = Asta per centraggi dislocati  
**B** = Asta con impronta a chiavetta  
**C** = Asta con impronta a chiavetta a croce,  
Ø interno 16 mm  
**D** = Asta per centraggi dislocati con  
fori spina maggiorati

**X** = Simmetrico

**E\*** = Est



**O\*** = Ovest



**N\*** = Nord



**S\*** = Sud



**\*Solo con terminale asta A o D**

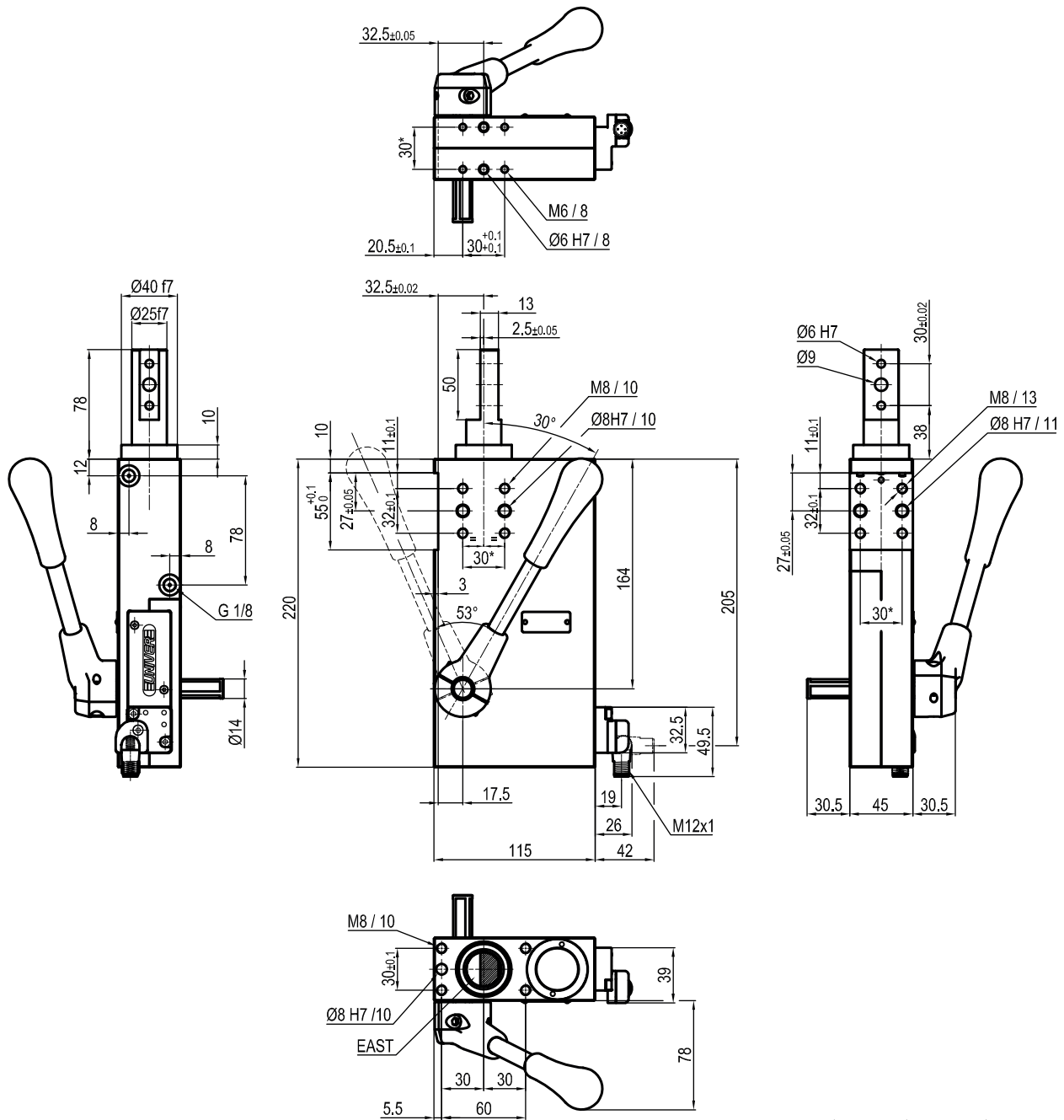
<b>7</b> Sensore	<b>8</b> Revisione prodotto
------------------	-----------------------------

**N** = Senza sensore (con piastra di chiusura)

**K** = Sensore elettronico PNP (ottico) (DF-K)

Assegnato da UNIVER

## ULY40040A\_K0



Bore Ø	Min. pull force 0,5 MPa	Max. push force 0,5 MPa	Max. bending moment 6 Nm	Max. deflection moment 7,5 Nm	Weight
40 mm	200 N	3100 N	±0,06°	±0,03°	5,7 Kg

 Min./Max. operating pressure: **0,4 / 0,6 MPa**

 Operating temperature: **5° ÷ 45° C**

 Strokes in mm: **40**

Electronic sensor with M12 swivel connector, from 0° to 90°, in steps of 10°

Supply voltage: 10 ÷ 30 Vdc

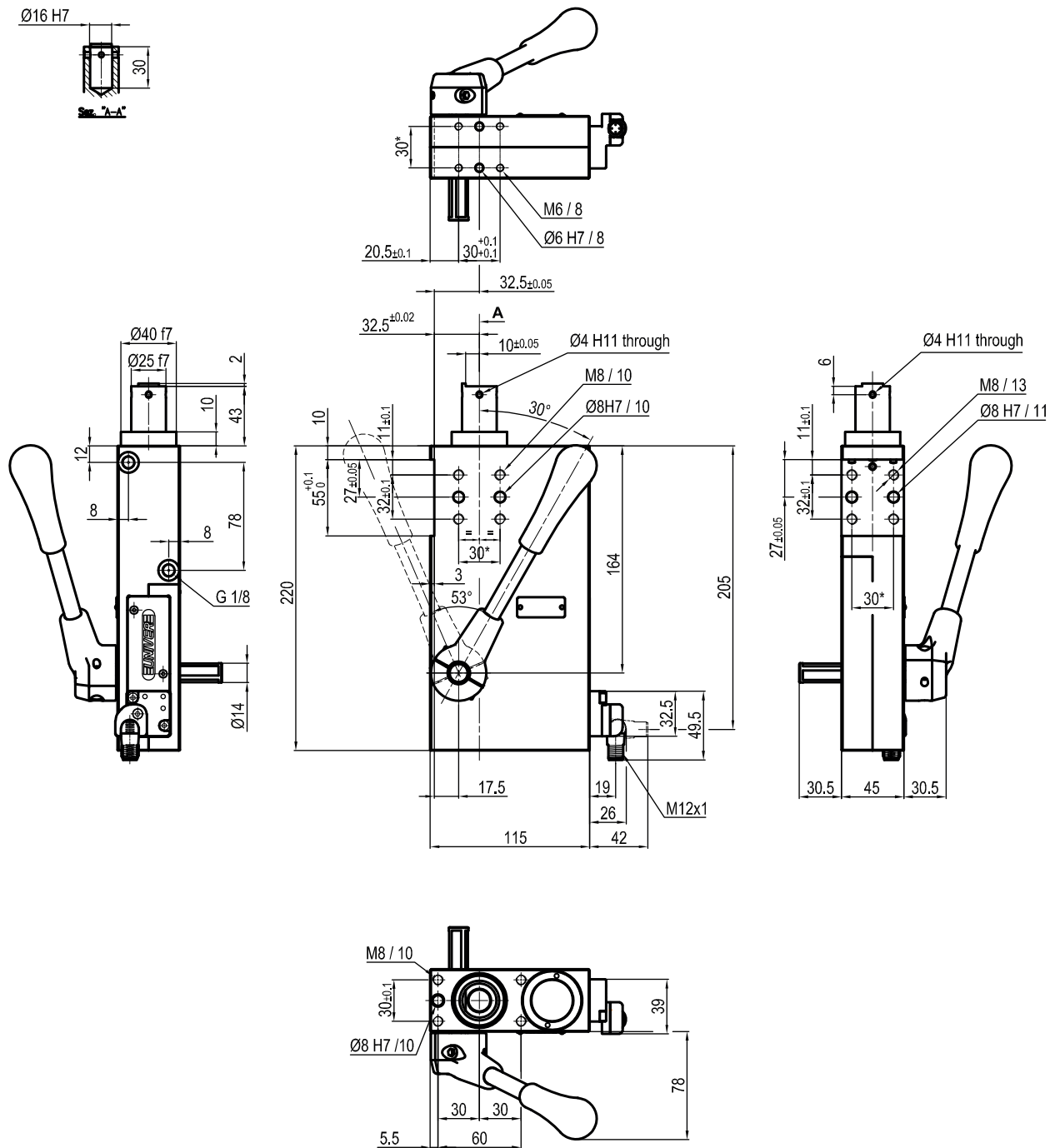
 IP code: **IP 65**

 Manual actuation max torque: **40 Nm**

\*: TOLERANCE BETWEEN DOWEL HOLES ± 0,02, BETWEEN SCREW HOLES ± 0,1

Subject to technical modifications without notice

# ULY40040BXK0

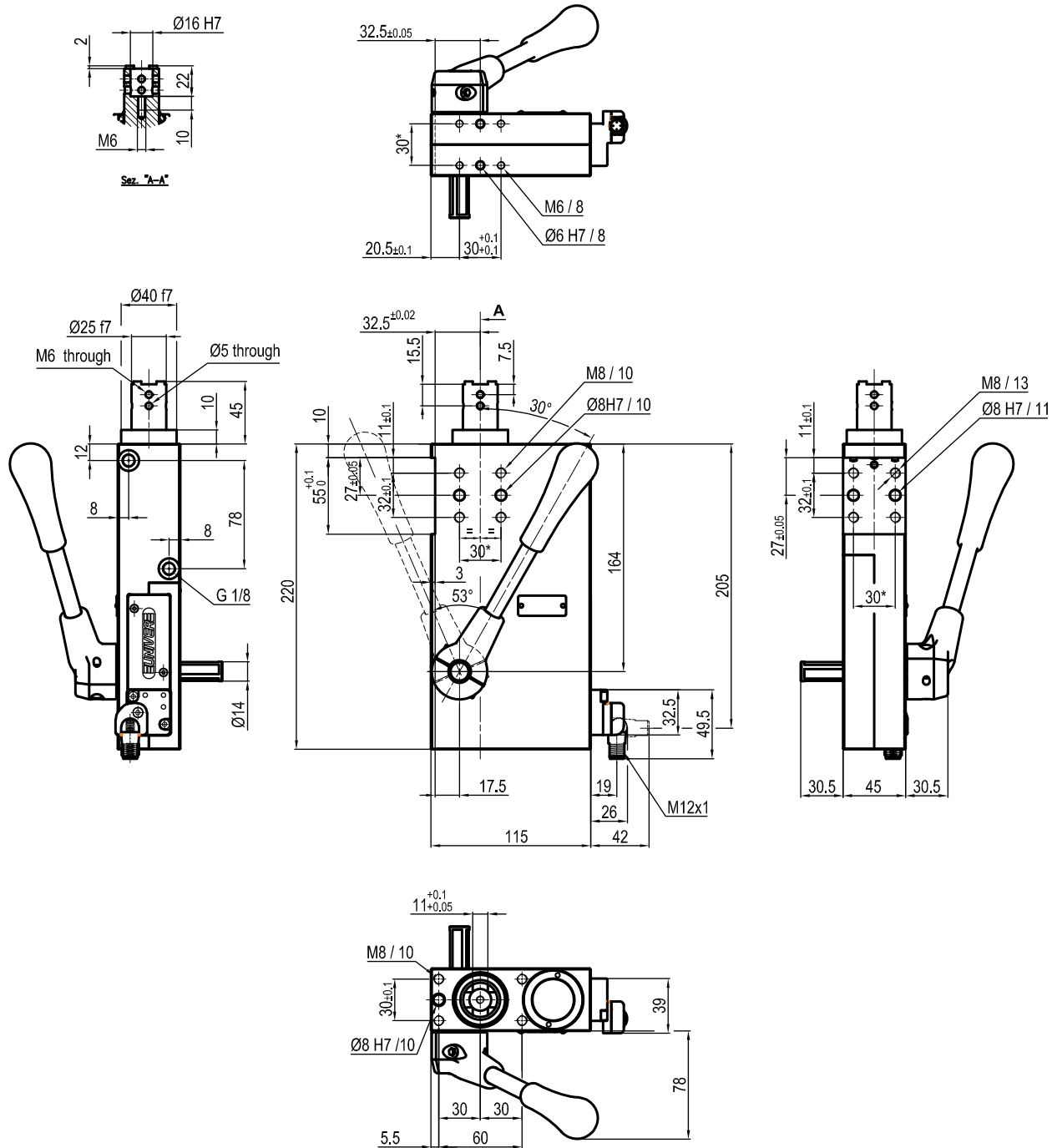


Bore $\varnothing$	Min. pull force 0,5 MPa	Max. push force 0,5 MPa	Max. bending moment 6 Nm	Max. deflection moment 7,5 Nm	Weight
40 mm	200 N	3100 N	$\pm 0,06^\circ$	$\pm 0,03^\circ$	5,7 Kg

Min./Max. operating pressure: **0,4 / 0,6 MPa**  
 Operating temperature: **5° ÷ 45° C**  
 Strokes in mm: **40**  
 Electronic sensor with M12 swivel connector, from 0° to 90°, in steps of 10°  
 Supply voltage: 10 ÷ 30 Vdc  
 IP code: **IP 65**  
 Manual actuation max torque: **40 Nm**

\*: TOLERANCE BETWEEN DOWEL HOLES  $\pm 0,02$ , BETWEEN SCREW HOLES  $\pm 0,1$

Subject to technical modifications without notice

**ULY40040CXK0**


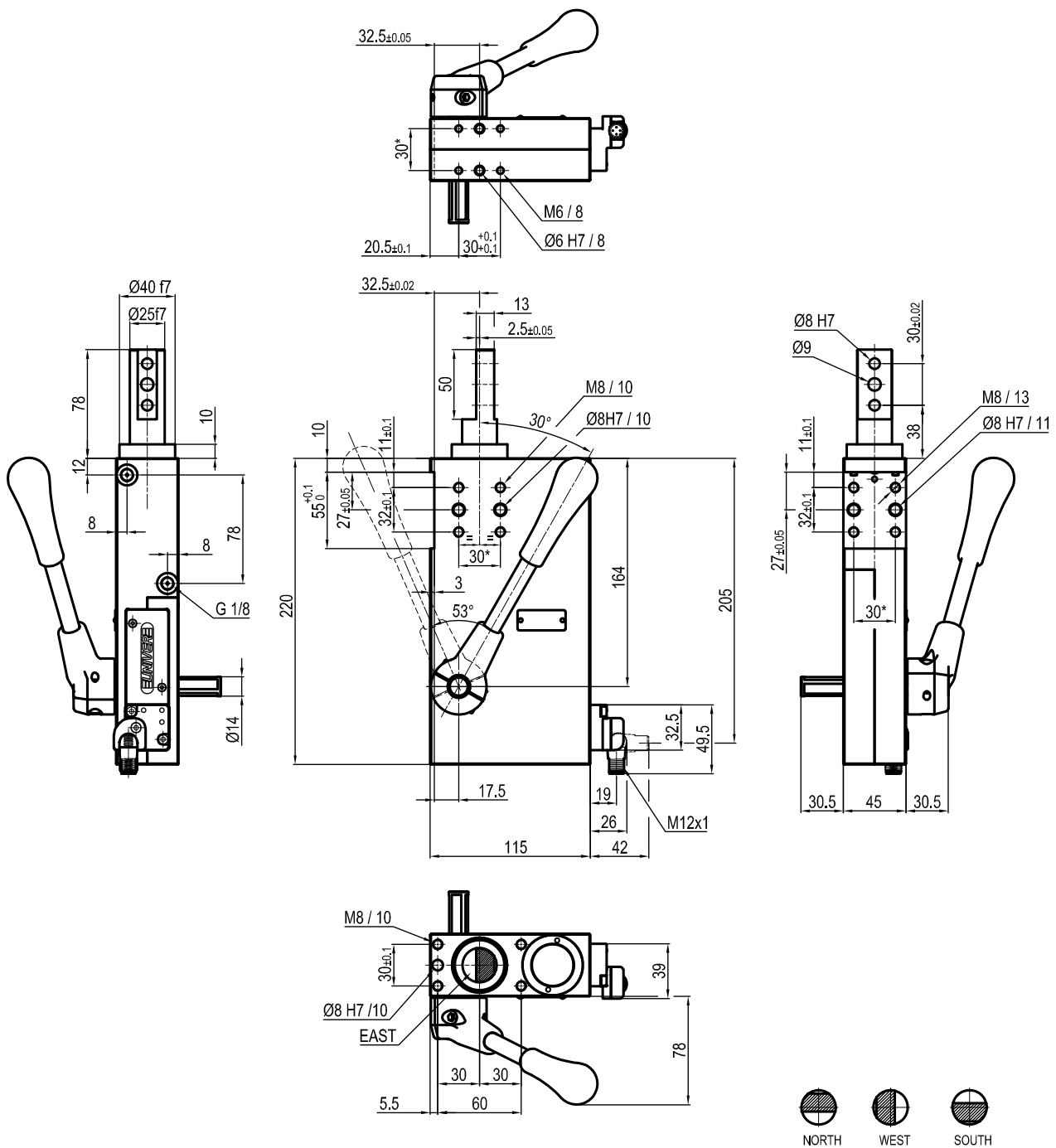
Bore Ø	Min. pull force 0,5 MPa	Max. push force 0,5 MPa	Max. bending moment 6 Nm	Max. deflection moment 7,5 Nm	Weight
40 mm	200 N	3100 N	±0,06°	±0,03°	5,7 Kg

Min./Max. operating pressure: **0,4 / 0,6 MPa**  
 Operating temperature: **5° ÷ 45° C**  
 Strokes in mm: **40**  
 Electronic sensor with M12 swivel connector, from 0° to 90°,  
 in steps of 10°  
 Supply voltage: 10 ÷ 30 Vdc  
 IP code: **IP 65**  
 Manual actuation max torque: **40 Nm**

\*: TOLERANCE BETWEEN DOWEL HOLES ± 0,02, BETWEEN SCREW HOLES ± 0,1

Subject to technical modifications without notice

## ULY40040D\_K0



Bore Ø	Min. pull force 0,5 MPa	Max. push force 0,5 MPa	Max. bending moment 6 Nm	Max. deflection moment 7,5 Nm	Weight
40 mm	200 N	3100 N	±0,06°	±0,03°	5,7 Kg

Min./Max. operating pressure: **0,4 / 0,6 MPa**  
 Operating temperature: **5° ÷ 45° C**  
 Strokes in mm: **40**  
 Electronic sensor with M12 swivel connector, from 0° to 90°, in steps of 10°  
 Supply voltage: 10 ÷ 30 Vdc  
 IP code: **IP 65**  
 Manual actuation max torque: **40 Nm**

\*: TOLERANCE BETWEEN DOWEL HOLES ± 0,02, BETWEEN SCREW HOLES ± 0,1

Subject to technical modifications without notice