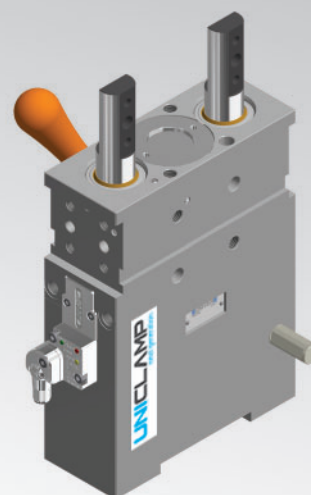


ULX50

Unità di centraggio pneumatica irreversibile UNICLAMP con azionamento manuale, doppia asta orientabile



U	L	X	5	0	0	4	0	G	K	0
1	2	3	4				5	6	7	

1 Serie	2 Versione	3 Taglia
----------------	-------------------	-----------------

UL = Unità di centraggio UNICLAMP

X = Pneumatica, irreversibile, con azionamento manuale, doppia asta orientabile

50 = Ø 50 mm

4 Corsa	5 Terminale asta	6 Sensor
----------------	-------------------------	-----------------

040 = 40 mm

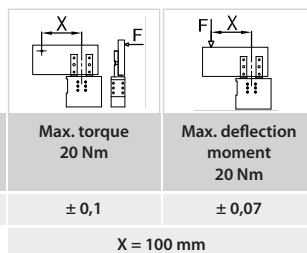
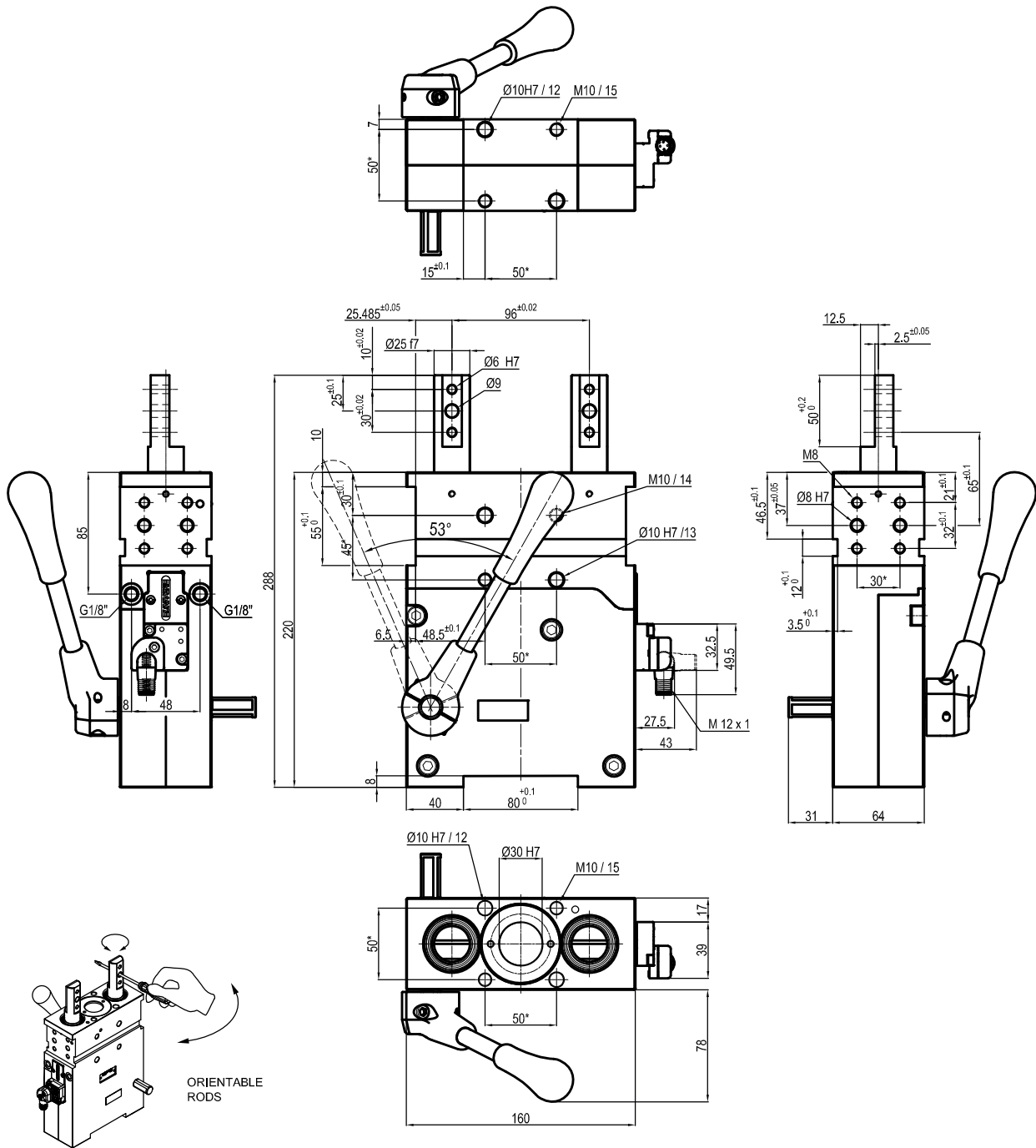
A = Asta per centraggi dislocati
G = Asta per centraggi dislocati (piano asta in asse con piano di mezzaria)

N = Senza sensore (con piastra di chiusura)
K = Sensore elettronico PNP (ottico) (DF-K)

7 Revisione prodotto

Assegnato da UNIVER

ULX50040AK0

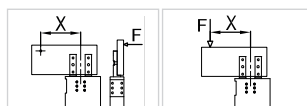
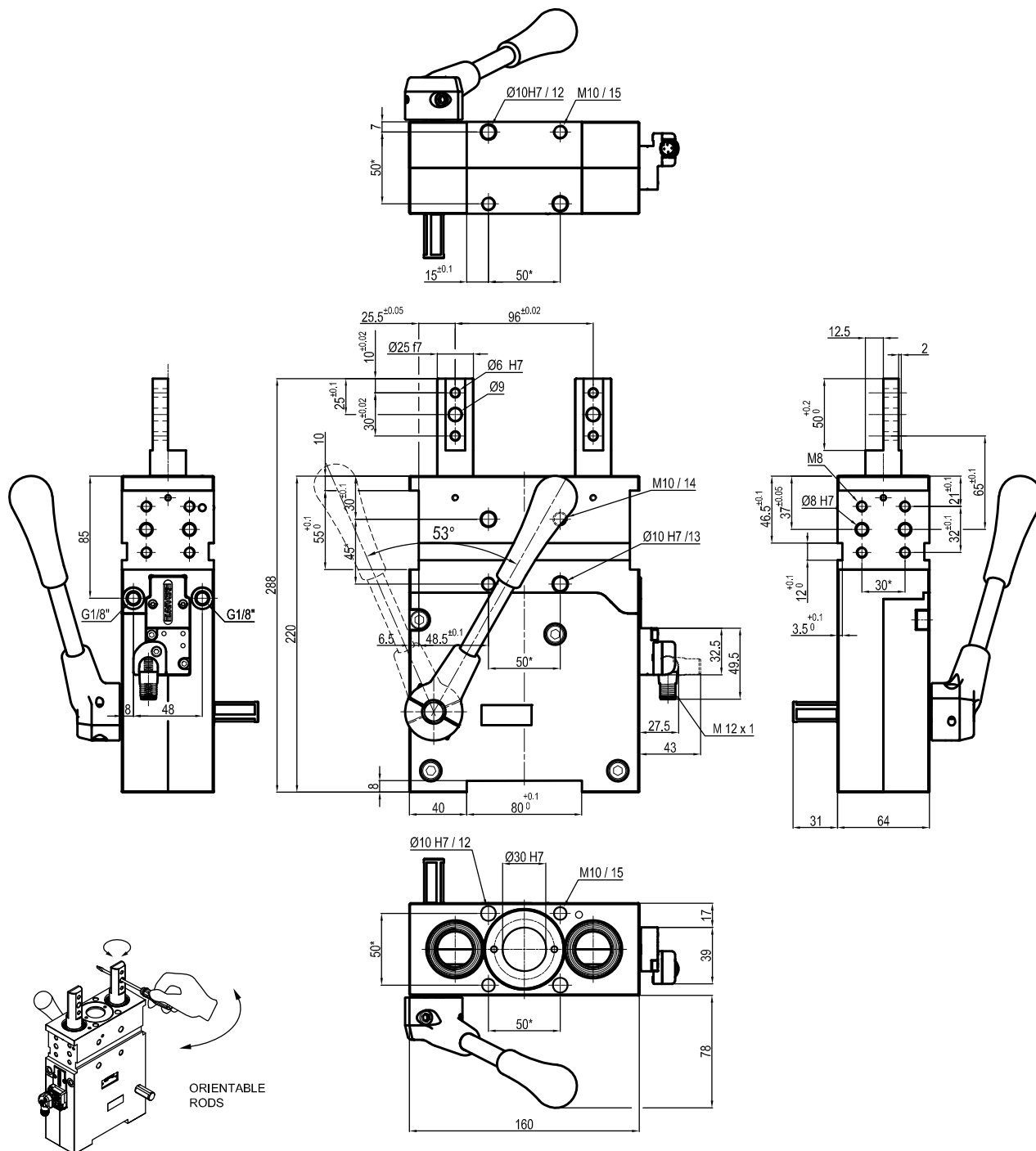


Bore Ø	Min. pull force at 0,5 MPa	Max. push force at 0,5 MPa	Max. torque 20 Nm	Max. deflection moment 20 Nm	Weight
50 mm	500 N	7150 N	± 0,1	± 0,07	7,3 Kg
X = 100 mm					

Min./Max. operating pressure: **0,4 / 0,6 MPa**
 Operating temperature: **5° ÷ 45° C**
 Strokes in mm: **40**
 Electronic sensor with M12 swivel connector, from 0° to 90°, in steps of 10°
 Supply voltage: 10 ÷ 30 Vdc
 IP code: **IP 65**
 Pneumatic ports on both sides
 Max. side load: 400 N
 Max. deflection: 0,1 mm, whit 40 mm stroke at max load
 Max. offset: 200 mm from middle point

*: TOLERANCE BETWEEN DOWEL HOLES ± 0,02, BETWEEN SCREW HOLES ± 0,1
 **: MAX PUSH FORCE AT END STROKE POSITION

Subject to technical modifications without notice

ULX50040GK0


Bore Ø	Min. pull force at 0,5 MPa	Max. push force at 0,5 MPa	Max. torque 20 Nm	Max. deflection moment 20 Nm	Weight
50 mm	500 N	7150 N	± 0,1	± 0,07	7,3 Kg
X = 100 mm					

 Min./Max. operating pressure: **0,4 / 0,6 MPa**

 Operating temperature: **5° ÷ 45° C**

 Strokes in mm: **40**

Electronic sensor with M12 swivel connector, from 0° to 90°, in steps of 10°

Supply voltage: 10 ÷ 30 Vdc

 IP code: **IP 65**

Pneumatic ports on both sides

Max. side load: 400 N

Max. deflection: 0,1 mm, whit 40 mm stroke at max load

Max. offset: 200 mm from middle point

Manual actuation max. torque: 40 Nm

*: TOLERANCE BETWEEN DOWEL HOLES ± 0,02, BETWEEN SCREW HOLES ± 0,1

**: MAX PUSH FORCE AT END STROKE POSITION

Subject to technical modifications without notice