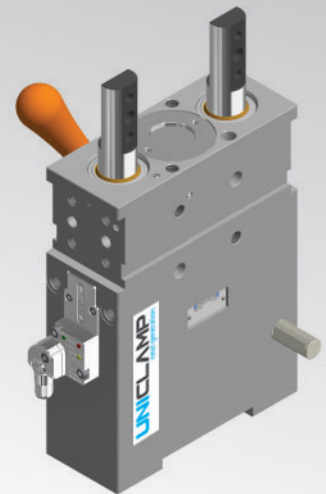


ULX50

UNICLAMP pneumatic retractable locating pin unit with hand lever, toggle joint mechanism, double orientable rod



U	L	X	5	0	0	4	0	G	K	0
1	2	3	4				5	6	7	

1 Series	2 Version	3 Size
-----------------	------------------	---------------

UL = UNICLAMP Pin unit

X = Pneumatic, with hand lever, toggle-joint mechanism, double orientable rod

50 = Ø 50 mm

4 Stroke	5 Rod end style	6 Sensor
-----------------	------------------------	-----------------

040 = 40 mm

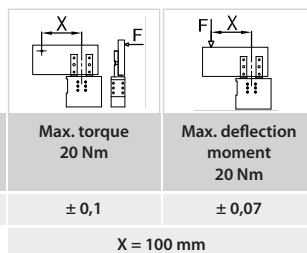
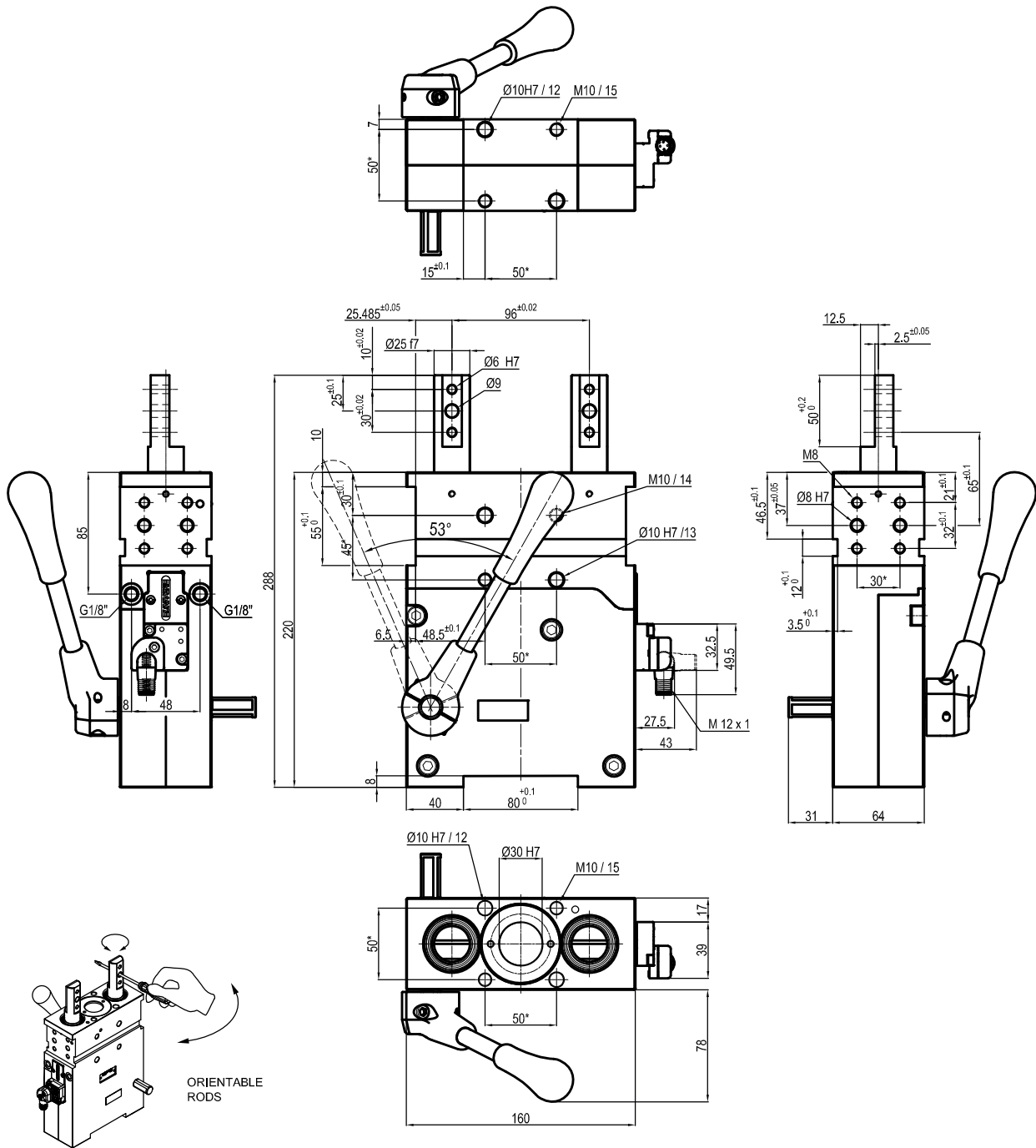
A = Rod for off-set pins
 G = Rod for off-set pins (rod plane matching body middle axis)

N = No sensor (with protection plate)
 K = Electronic sensor PNP (optical) (DF-K)

7 Product revision

Assigned by UNIVER

ULX50040AK0



Bore Ø	Min. pull force at 0,5 MPa	Max. push force at 0,5 MPa	Max. torque 20 Nm	Max. deflection moment 20 Nm	Weight
50 mm	500 N	7150 N	± 0,1	± 0,07	7,3 Kg

X = 100 mm

 Min./Max. operating pressure: **0,4 / 0,6 MPa**

 Operating temperature: **5° ÷ 45° C**

 Strokes in mm: **40**

Electronic sensor with M12 swivel connector, from 0° to 90°, in steps of 10°

Supply voltage: 10 ÷ 30 Vdc

 IP code: **IP 65**

Pneumatic ports on both sides

Max. side load: 400 N

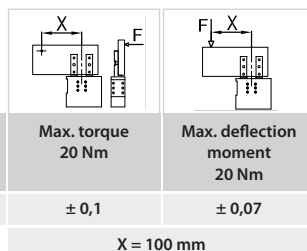
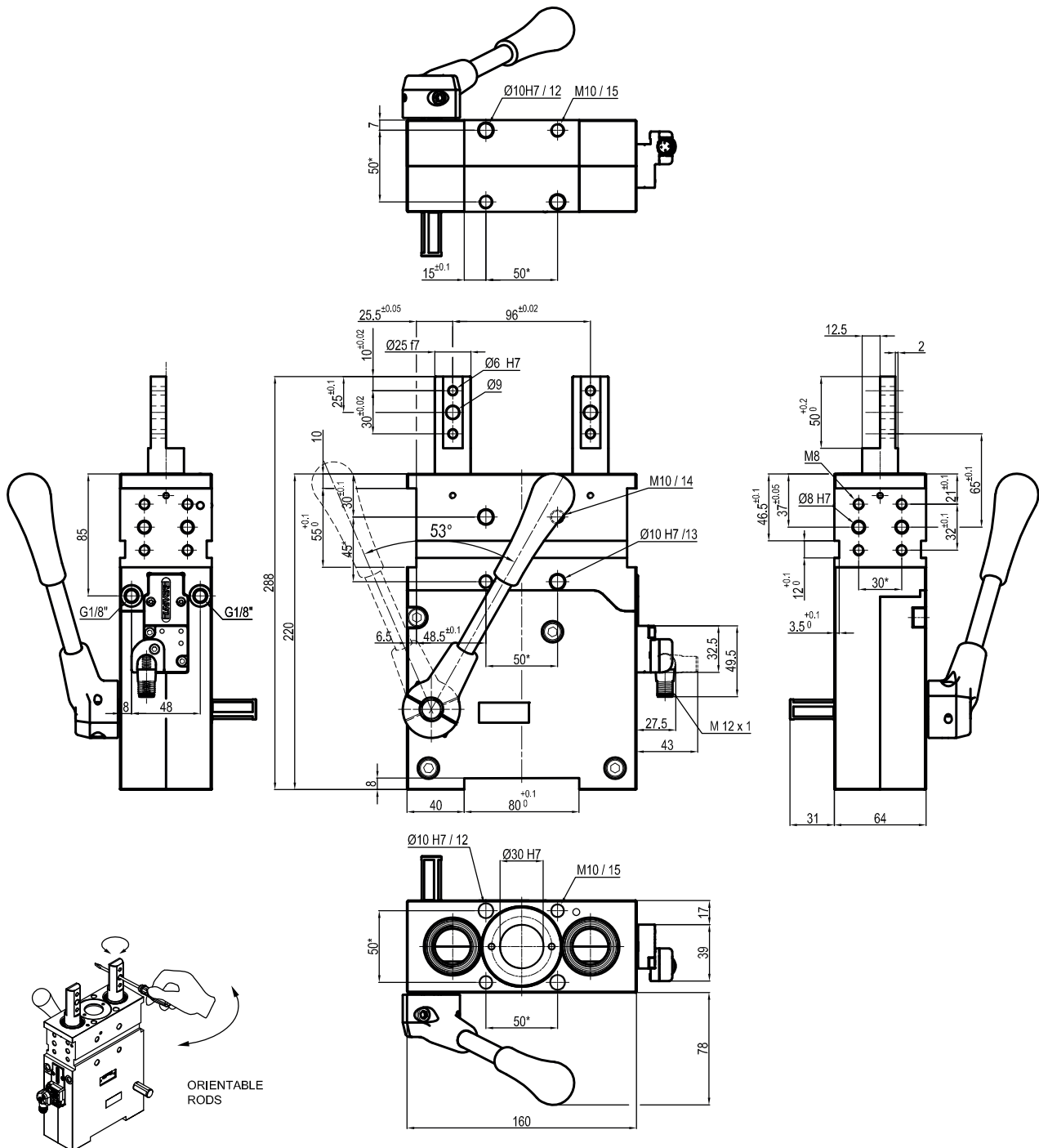
Max. deflection: 0,1 mm, whit 40 mm stroke at max load

Max. offset: 200 mm from middle point

*: TOLERANCE BETWEEN DOWEL HOLES ± 0,02, BETWEEN SCREW HOLES ± 0,1

**: MAX PUSH FORCE AT END STROKE POSITION

Subject to technical modifications without notice

ULX50040GK0


Bore Ø	Min. pull force at 0,5 MPa	Max. push force at 0,5 MPa	Max. torque 20 Nm	Max. deflection moment 20 Nm	Weight
50 mm	500 N	7150 N	± 0,1	± 0,07	7,3 Kg
X = 100 mm					

Min./Max. operating pressure: **0,4 / 0,6 MPa**
 Operating temperature: **5° ÷ 45° C**
 Strokes in mm: **40**
 Electronic sensor with M12 swivel connector, from 0° to 90°, in steps of 10°
 Supply voltage: 10 ÷ 30 Vdc
 IP code: **IP 65**
 Pneumatic ports on both sides
 Max. side load: 400 N
 Max. deflection: 0,1 mm, whit 40 mm stroke at max load
 Max. offset: 200 mm from middle point
 Manual actuation max. torque: 40 Nm

*: TOLERANCE BETWEEN DOWEL HOLES ± 0,02, BETWEEN SCREW HOLES ± 0,1
 **: MAX PUSH FORCE AT END STROKE POSITION

Subject to technical modifications without notice