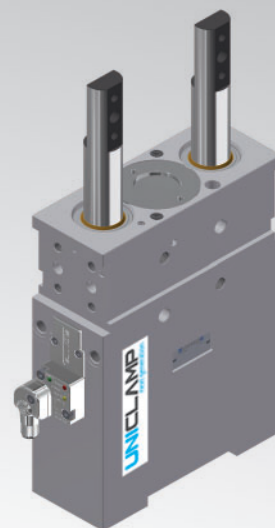


ULT50

Unità di centraggio pneumatica **UNICLAMP**
irreversibile, doppia asta orientabile



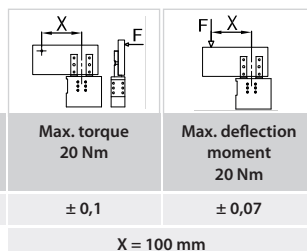
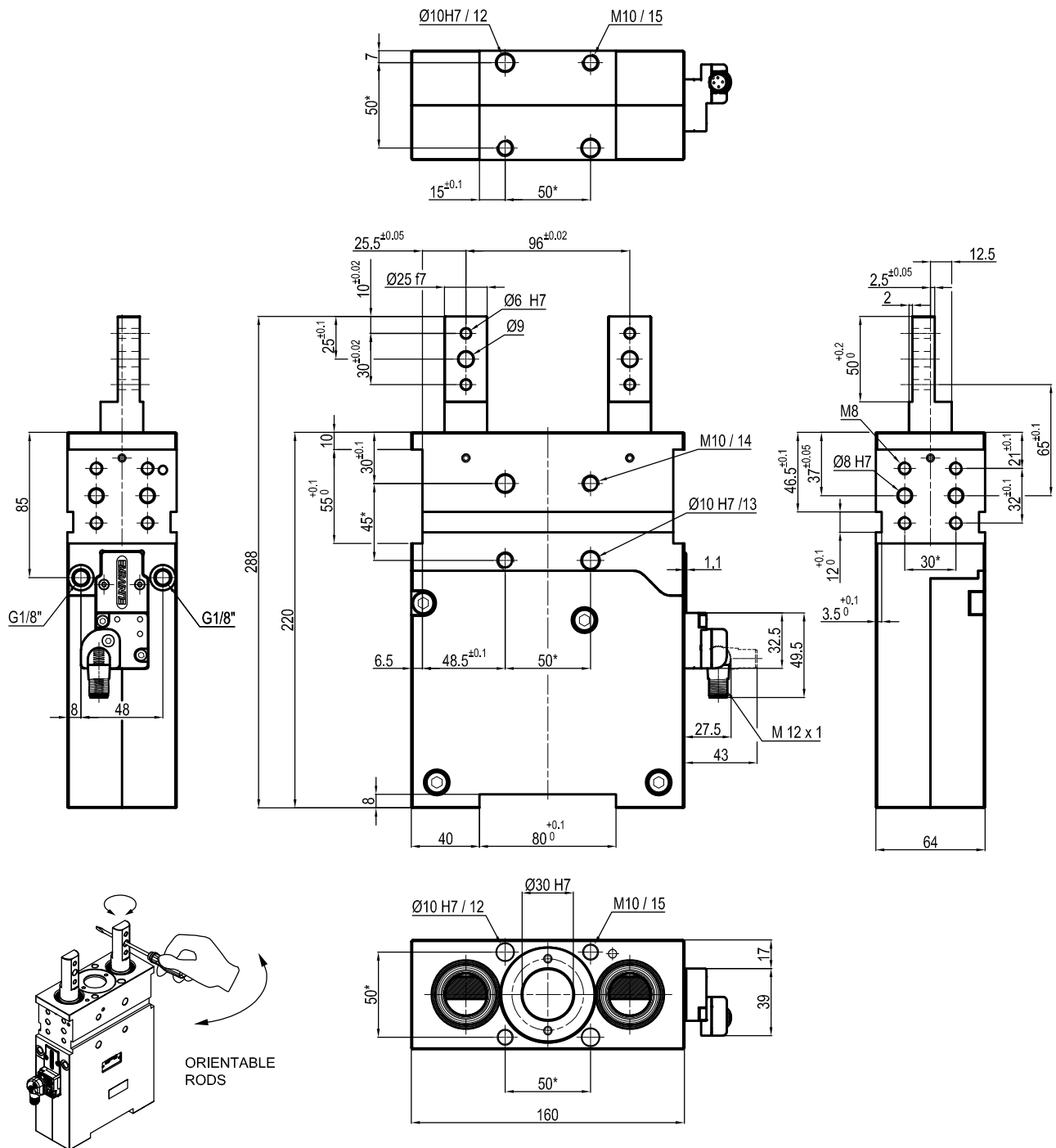
U	L	T	5	0	0	4	0	G	K	0
1	2	3	4		5	6	7			

1 Serie	2 Versione	3 Taglia
UL = Unità di centraggio UNICLAMP	T = Pneumatica irreversibile, doppia asta orientabile	50 = Ø 50 mm

4 Corsa	5 Terminale asta	6 Sensore
040 = 40 mm	A = Asta per centraggi dislocati G = Asta per centraggi dislocati (piano asta in asse con piano di mezzeria)	N = Senza sensore (con piastra di chiusura) K = Sensore elettronico PNP (ottico) (DF-K)

7 Product revision
Assigned by UNIVER

ULT50040AK0



Bore Ø	Max. pull force at 0,5 MPa	Max. push force at 0,5 MPa**	Max. torque 20 Nm	Max. deflection moment 20 Nm	Weight
50 mm	500 N	7150 N	± 0,1	± 0,07	7,3 Kg

X = 100 mm

 Min./Max. operating pressure: **0,4 / 0,6 MPa**

 Operating temperature: **5° ÷ 45° C**

 Strokes in mm: **40**

Electronic sensor with M12 swivel connector, from 0° to 90°, in steps of 10°

Supply voltage: 10 ÷ 30 Vdc

 IP code: **IP 65**

Pneumatic ports on both sides

Max. side load: 400 N

Max. deflection: 0,1 mm, whit 40 mm stroke at max load

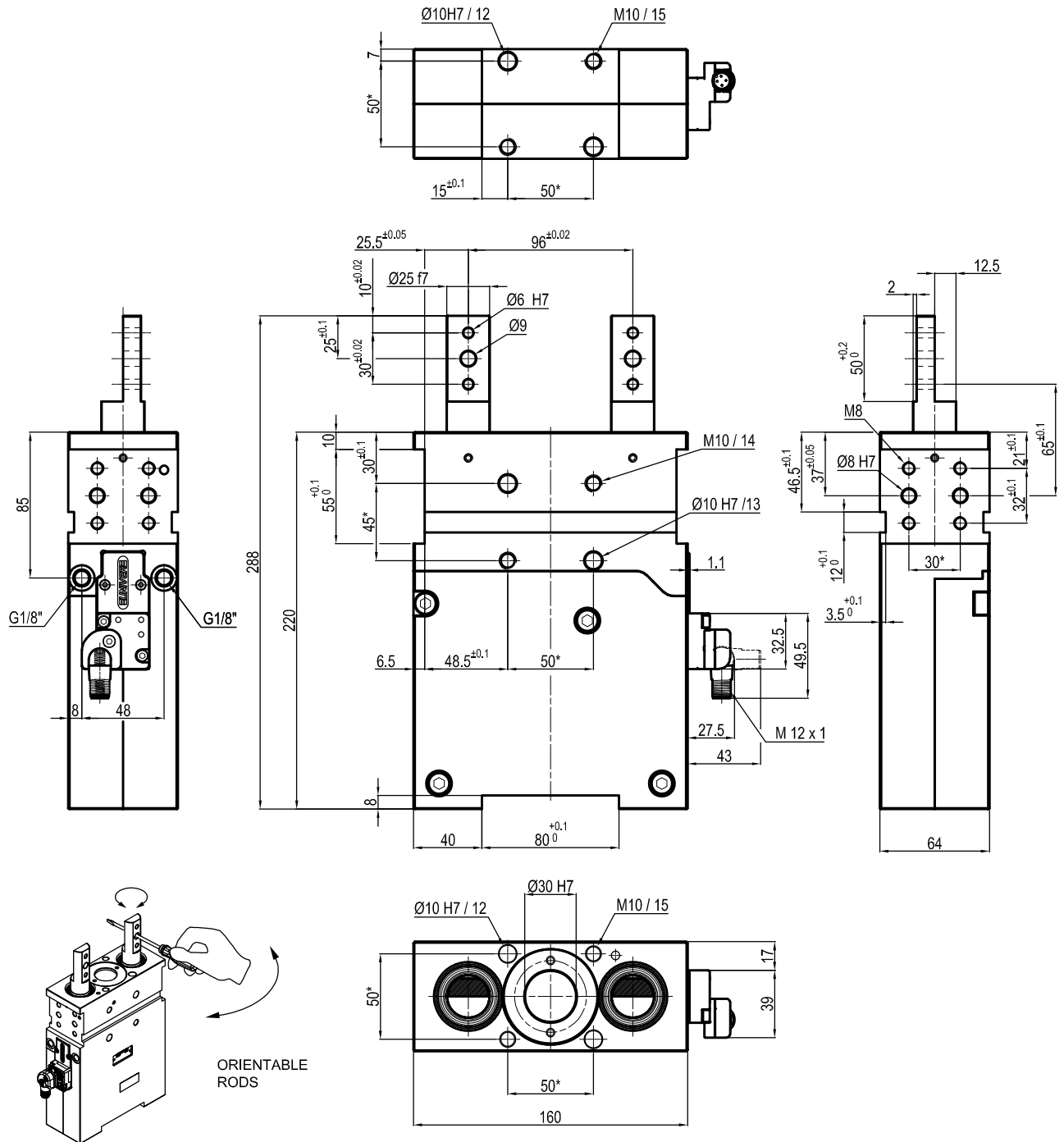
Max. offset: 200 mm from middle point

*: TOLERANCE BETWEEN DOWEL HOLES ± 0,02, BETWEEN SCREW HOLES ± 0,1

**: MAX PUSH FORCE AT END STROKE POSITION

Subject to technical modifications without notice

ULT50040GK0



Bore Ø	Max. pull force at 0,5 MPa	Max. push force at 0,5 MPa	Max. torque 20 Nm	Max. deflection moment 20 Nm	Weight
50 mm	500 N	7150 N	± 0,1	± 0,07	7,3 Kg
X = 100 mm					

Min./Max. operating pressure: **0,4 / 0,6 MPa**
 Operating temperature: **5° ÷ 45° C**
 Strokes in mm: **40**
 Electronic sensor with M12 swivel connector, from 0° to 90°, in steps of 10°
 Supply voltage: 10 ÷ 30 Vdc
 IP code: **IP 65**
 Pneumatic ports on both sides
 Max. side load: 400 N
 Max. deflection: 0,1 mm, whit 40 mm stroke at max load
 Max. offset: 200 mm from middle point

* : TOLERANCE BETWEEN DOWEL HOLES ± 0,02, BETWEEN SCREW HOLES ± 0,1
 ** : MAX PUSH FORCE AT END STROKE POSITION

Subject to technical modifications without notice