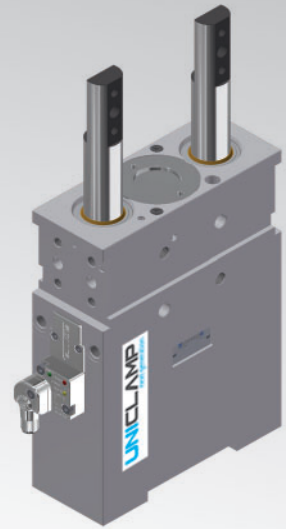


# ULT50

**UNICLAMP** Pneumatic retractable locating pin unit, toggle-joint mechanism, double orientable rod



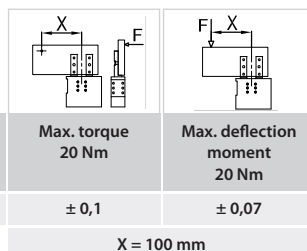
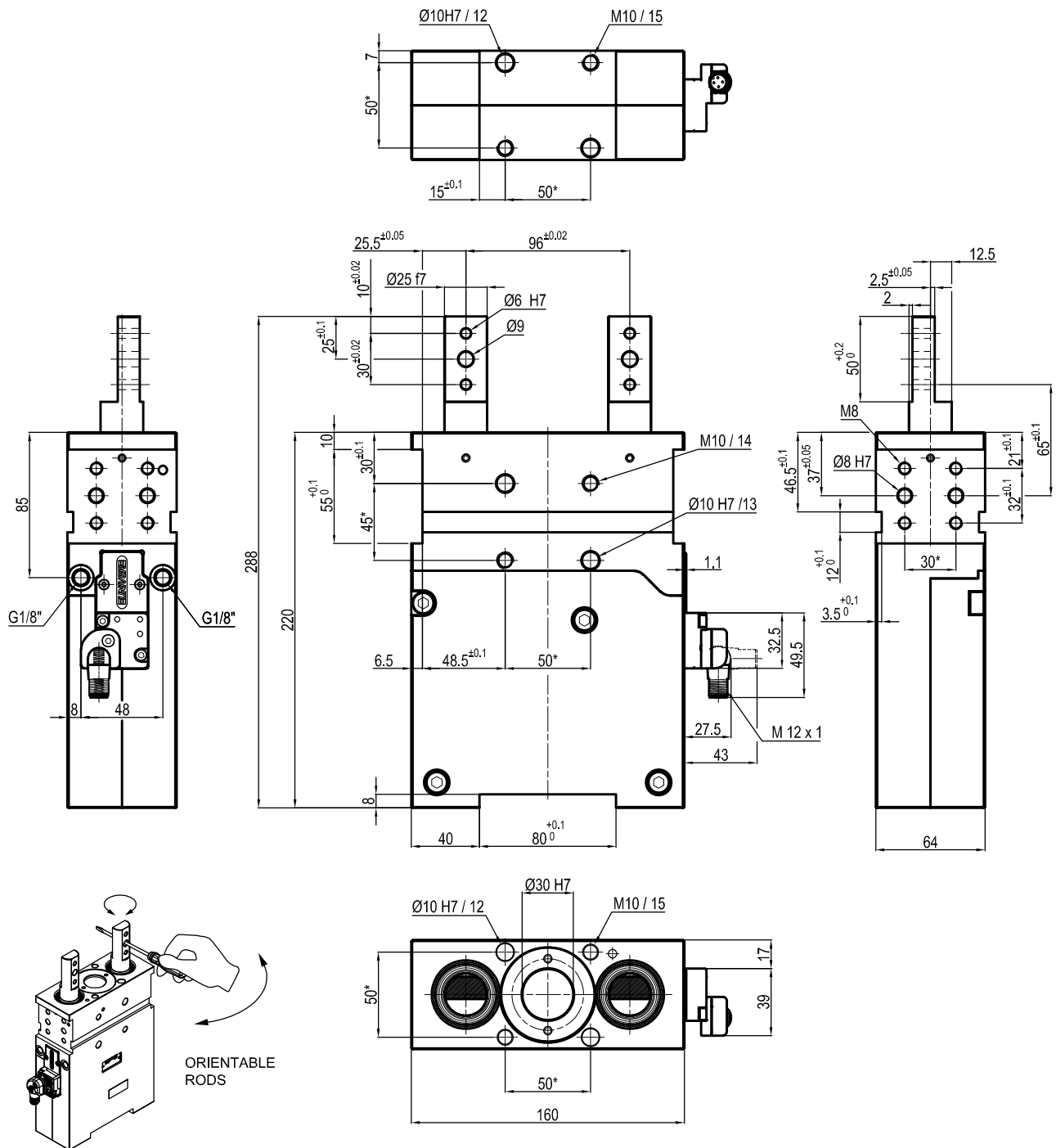
U	L	T	5	0	0	4	0	G	K	0
1	2	3	4		5	6	7			

<b>1 Series</b>	<b>2 Version</b>	<b>3 Size</b>
UL = UNICLAMP Locating pin unit	T = Pneumatic, toggle-joint mechanism, double orientable rod	50 = Ø 50 mm

<b>4 Stroke</b>	<b>5 Rod end style</b>	<b>6 Sensor</b>
040 = 40 mm	A = Rod for off-set pins G = Rod for off-set pins (rod plane matching body middle axis)	N = No Sensor (with protection plate) K = Electronic sensor PNP (optical) (DF-K)

<b>7 Product revision</b>
Assigned by UNIVER

## ULT50040AK0



Bore Ø	Max. pull force at 0,5 MPa	Max. push force at 0,5 MPa**	Max. torque 20 Nm	Max. deflection moment 20 Nm	Weight
50 mm	500 N	7150 N	± 0,1	± 0,07	7,3 Kg

X = 100 mm

 Min./Max. operating pressure: **0,4 / 0,6 MPa**

 Operating temperature: **5° ÷ 45° C**

 Strokes in mm: **40**

Electronic sensor with M12 swivel connector, from 0° to 90°, in steps of 10°

Supply voltage: 10 ÷ 30 Vdc

 IP code: **IP 65**

Pneumatic ports on both sides

Max. side load: 400 N

Max. deflection: 0,1 mm, whit 40 mm stroke at max load

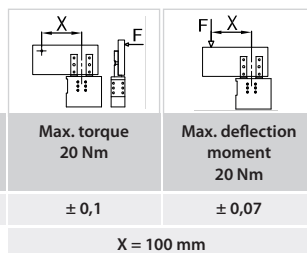
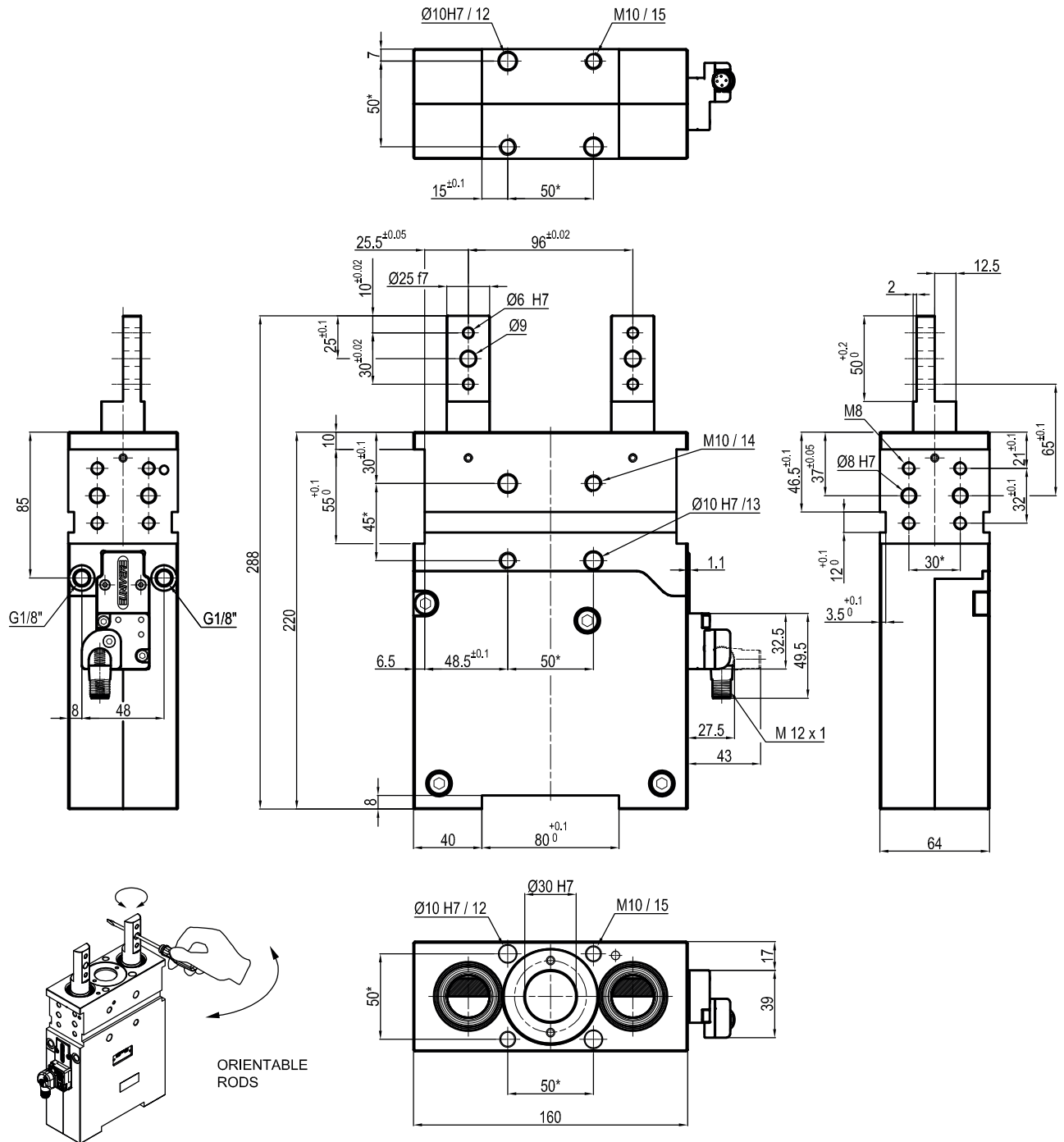
Max. offset: 200 mm from middle point

\*: TOLERANCE BETWEEN DOWEL HOLES ± 0,02, BETWEEN SCREW HOLES ± 0,1

\*\*: MAX PUSH FORCE AT END STROKE POSITION

Subject to technical modifications without notice

## ULT50040GK0



Bore Ø	Max. pull force at 0,5 MPa	Max. push force at 0,5 MPa	Max. torque 20 Nm	Max. deflection moment 20 Nm	Weight
50 mm	500 N	7150 N	± 0,1	± 0,07	7,3 Kg

X = 100 mm

 Min./Max. operating pressure: **0,4 / 0,6 MPa**

 Operating temperature: **5° ÷ 45° C**

 Strokes in mm: **40**

Electronic sensor with M12 swivel connector, from 0° to 90°, in steps of 10°

Supply voltage: 10 ÷ 30 Vdc

 IP code: **IP 65**

Pneumatic ports on both sides

Max. side load: 400 N

Max. deflection: 0,1 mm, whit 40 mm stroke at max load

Max. offset: 200 mm from middle point

\*: TOLERANCE BETWEEN DOWEL HOLES ± 0,02, BETWEEN SCREW HOLES ± 0,1

\*\*: MAX PUSH FORCE AT END STROKE POSITION

Subject to technical modifications without notice