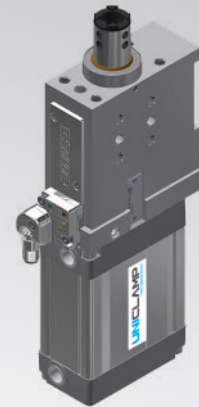


# ULP63

Unità di centraggio pneumatica UNICLAMP, singola asta, doppia guida interna



U	L	P	6	3	0	4	0	C	X	K	0
1	2	3	4		5	6	7	8			

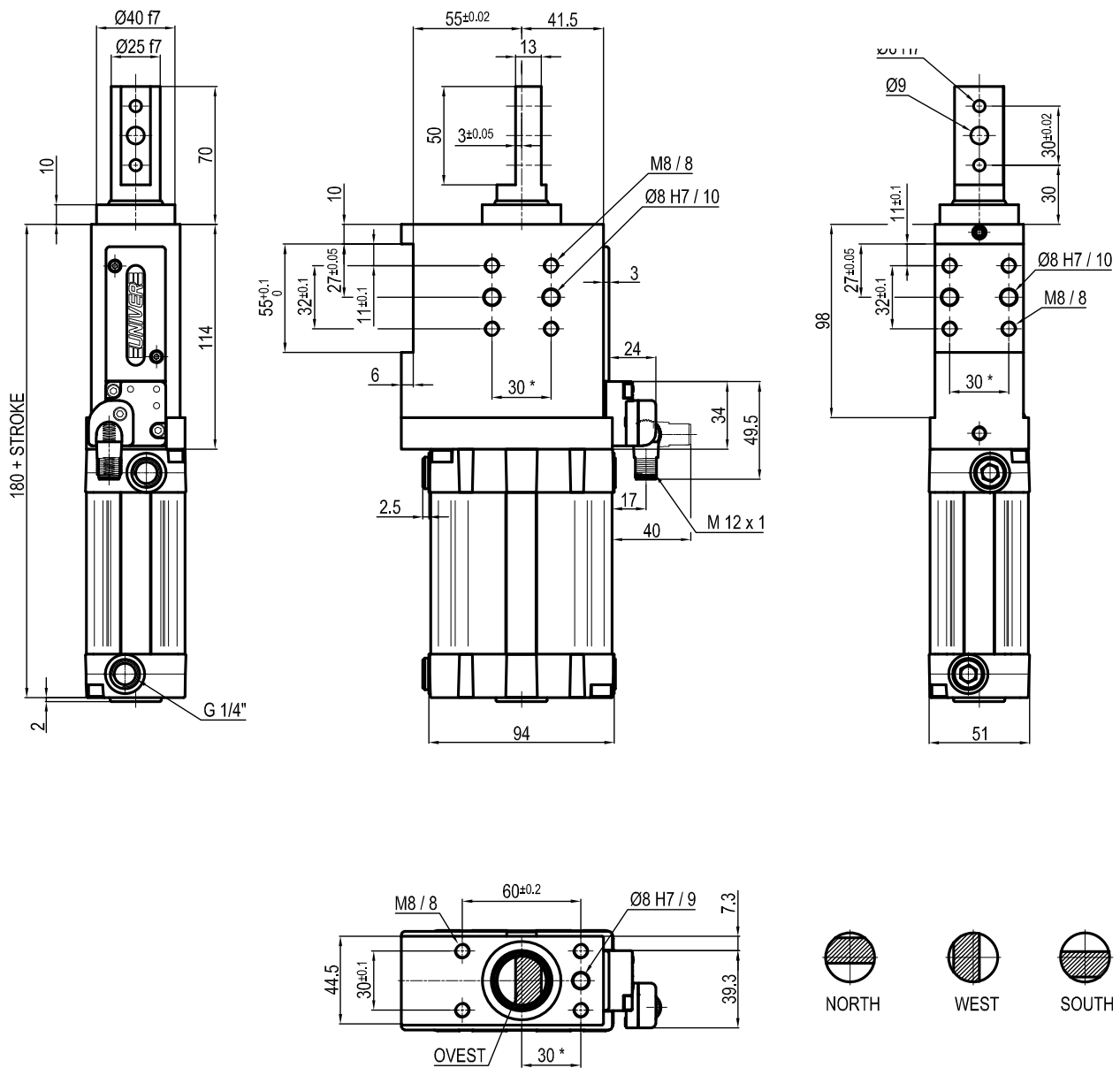
1 Serie	2 Versione	3 Taglia	4 Corsa
<b>UL</b> = Unità di centraggio UNICLAMP	<b>P</b> = Pneumatica, singola asta, doppia guida interna	<b>63</b> = Ø 63 mm	<b>015</b> = 15 mm <b>060</b> = 60 mm <b>025</b> = 25 mm <b>040</b> = 40 mm <b>050</b> = 50 mm

5 Terminale asta	6 Orientamento asta	7 Sensore
<b>A</b> = Asta per centraggi dislocati <b>B</b> = Asta con impronta a chiavetta <b>C</b> = Asta con impronta a chiavetta a croce, Ø interno 16 mm <b>D</b> = Asta per centraggi dislocati con fori spina maggiori <b>E</b> = Asta con impronta chiavetta a croce, Ø interno 10 mm <b>F</b> = Asta con sede fissaggio laterale <b>H</b> = Asta con terminale piatto, Ø interno 10 mm <b>I</b> = Asta con terminale piatto, Ø interno 12 mm <b>L</b> = Asta con Ø interno 12 mm compatibile con CNOMO standard <b>M</b> = Asta con Ø interno 20 mm compatibile con CNOMO standard	<b>X</b> = Simmetrico  <b>E*</b> = Est  <b>O*</b> = Ovest  <b>N*</b> = Nord  <b>S*</b> = Sud  <b>*Solo con terminale asta A o D</b>	<b>D</b> = Sensore pneumatico <b>N</b> = Senza sensore (con piastra di chiusura) <b>K</b> = Sensore elettronico PNP (ottico) (DF-K)

## 8 Revisione prodotto

Assegnato da UNIVER

## ULP63\_\_A\_K0



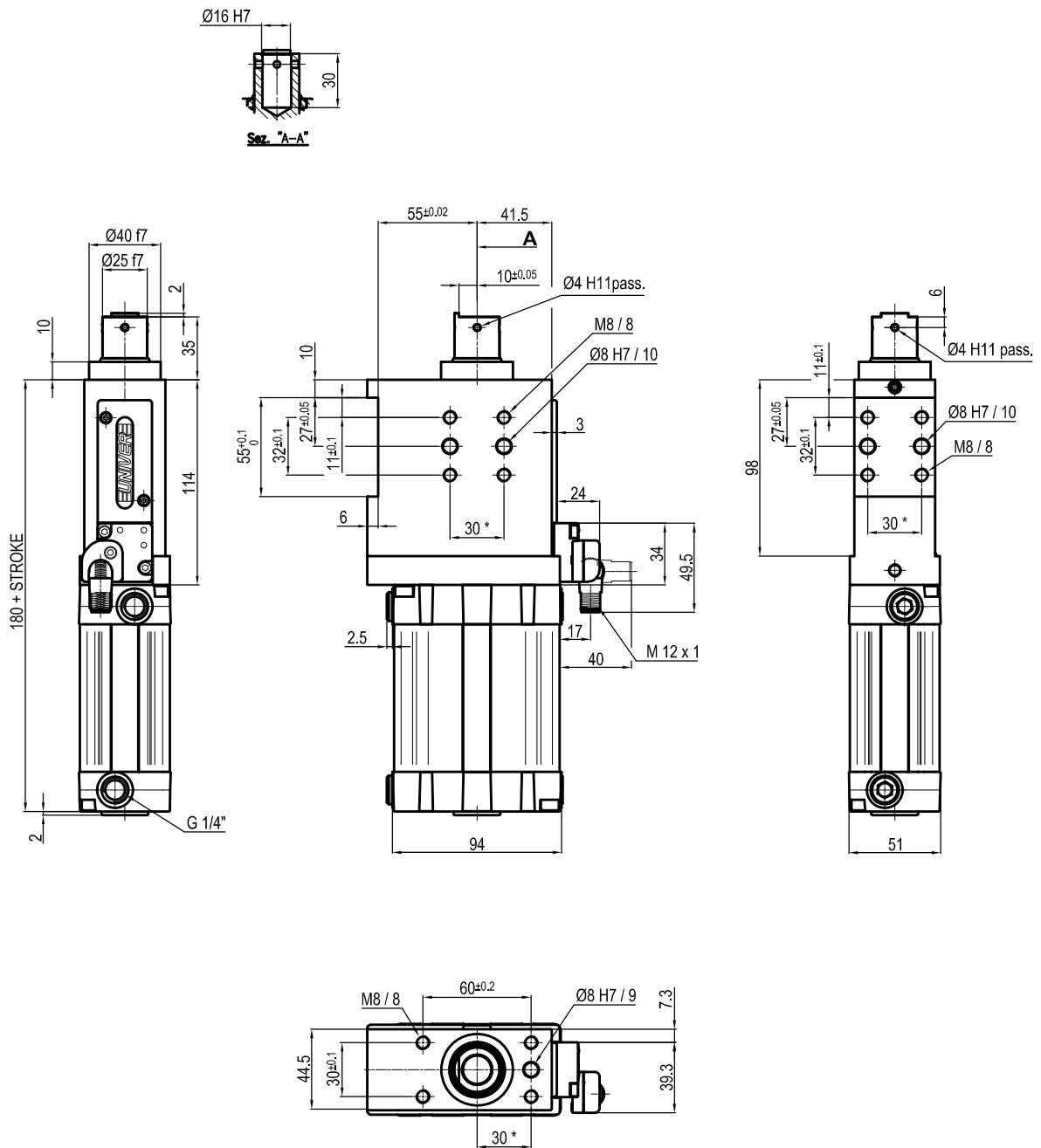
Bore Ø	Max. pull force 0,5 MPa	Max. push force 0,5 MPa	Max. torque 6 Nm	Max. deflection moment 5,5 Nm	Weight
63 mm	1430 N	1530 N	± 0,06°	± 0,03°	3,4 Kg

Min./Max. operating pressure: **0,4 / 0,6 MPa**  
 Operating temperature: **5° ± 45° C**  
 Strokes in mm.: **15 - 25 - 40 - 50**  
 Electronic sensor with M12 swivel connector, from 0° to 90°, in steps of 10°  
 Supply voltage: 10 ÷ 30 Vdc  
 IP code: **IP 65**  
 Pneumatic ports on both sides

\* : TOLERANCE BETWEEN DOWELS ± 0,02, BETWEEN SCREW HOLES ± 0,1

Subject to technical modifications without notice

## ULP63\_\_BXK0



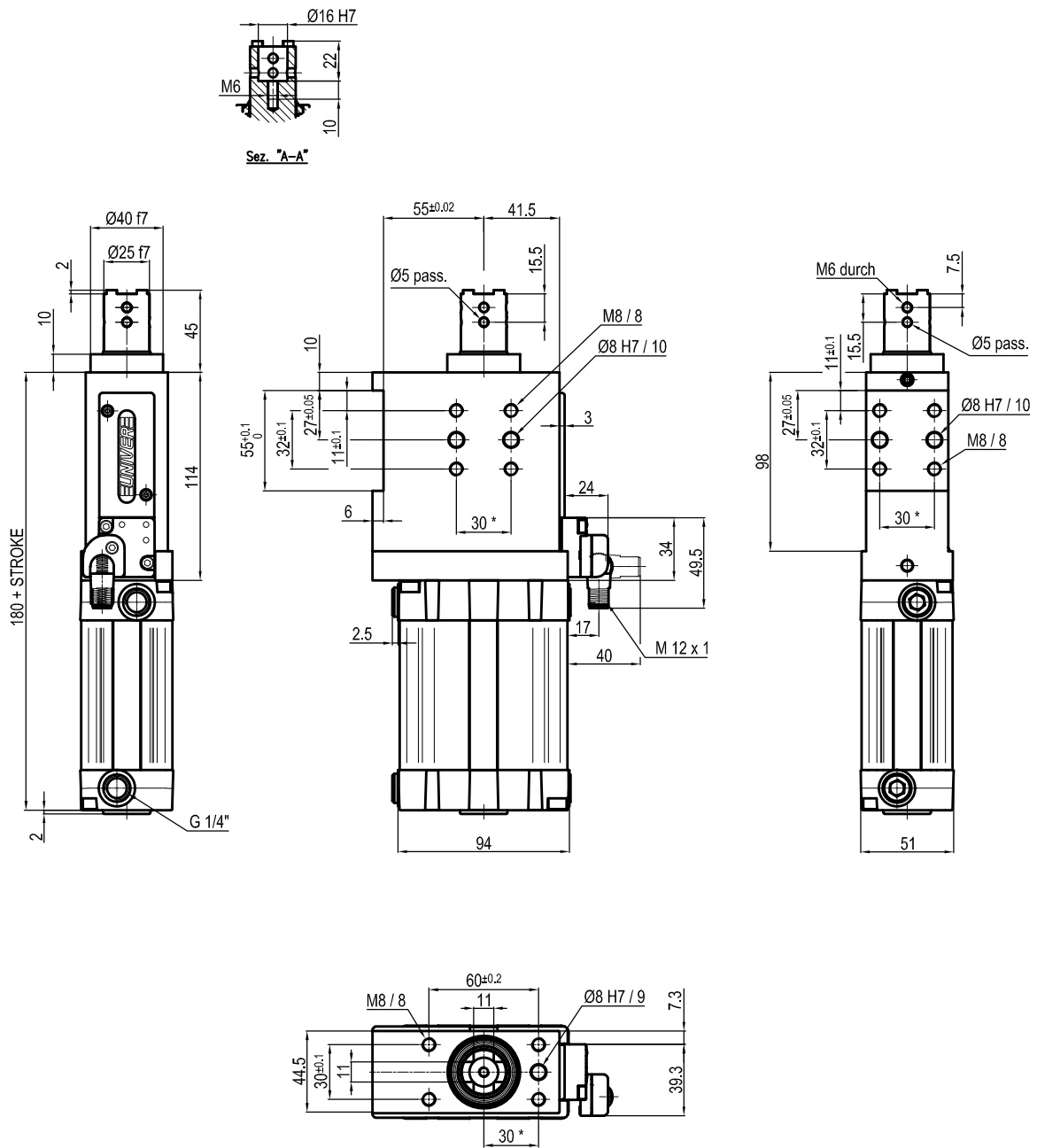
Bore Ø	Max. pull force 0,5 MPa	Max. push force 0,5 MPa	Max. torque 6 Nm	Max. deflection moment 5,5 Nm	Weight
63 mm	1430 N	1530 N	± 0,06°	± 0,03°	3,4 Kg

\* : TOLERANCE BETWEEN DOWELS ± 0,02, BETWEEN SCREW HOLES ± 0,1

Min./Max. operating pressure: **0,4 / 0,6 MPa**  
 Operating temperature: **5° ± 45° C**  
 Strokes in mm.: **15 - 25 - 40 - 50 - 60**  
 Electronic sensor with M12 swivel connector, from 0° to 90°,  
 in steps of 10°  
 Supply voltage: 10 ÷ 30 Vdc  
 IP code: **IP 65**  
 Pneumatic ports on both sides

Subject to technical modifications without notice

## ULP63\_\_CXK0



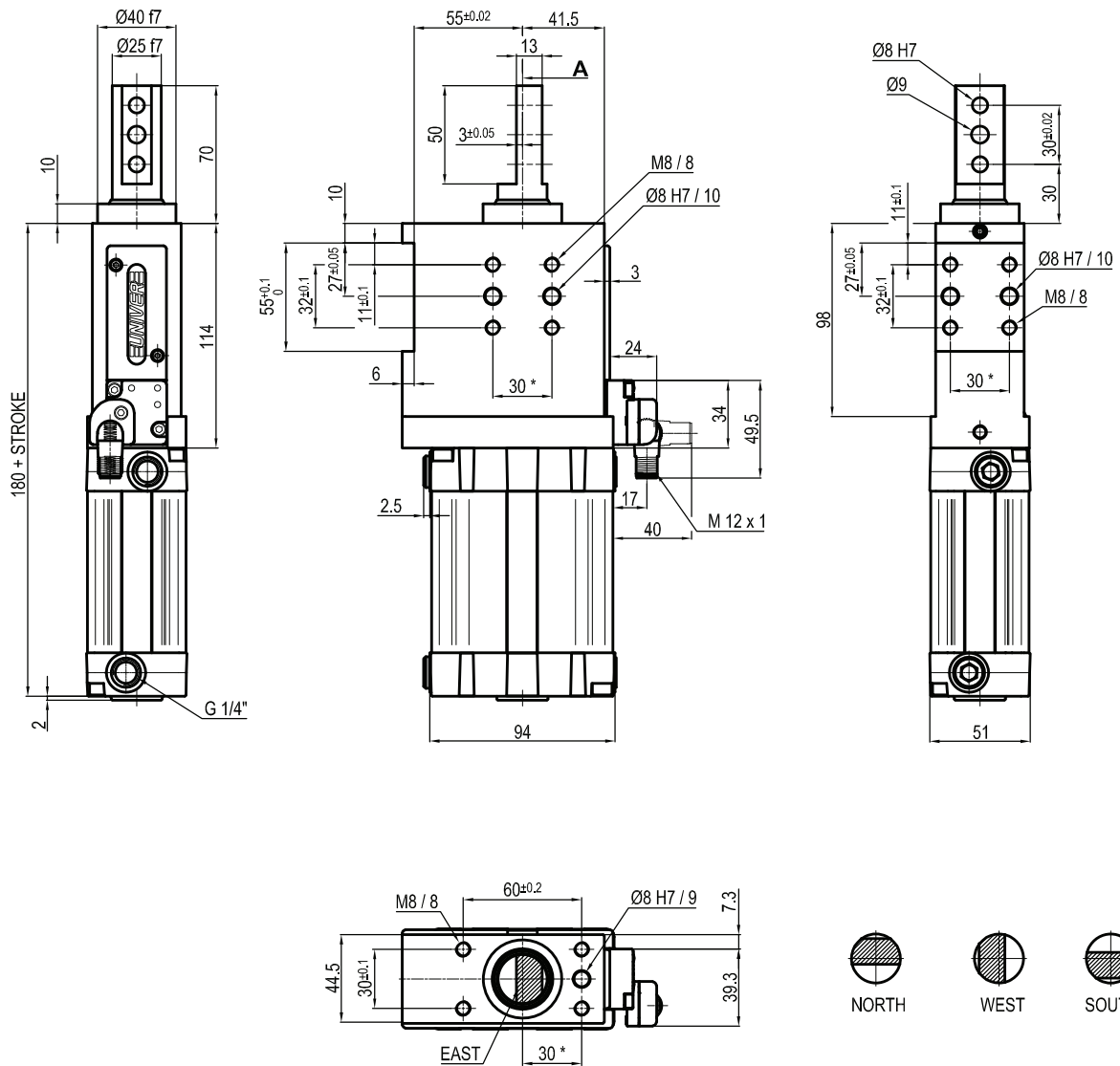
Bore Ø	Max. pull force 0,5 MPa	Max. push force 0,5 MPa	Max. torque 6 Nm	Max. deflection moment 5,5 Nm	Weight
63 mm	1430 N	1530 N	± 0,06°	± 0,03°	3,4 Kg

\* : TOLERANCE BETWEEN DOWELS ± 0,02, BETWEEN SCREW HOLES ± 0,1

Min./Max. operating pressure: **0,4 / 0,6 MPa**  
 Operating temperature: **5° ± 45° C**  
 Strokes in mm.: **15 - 25 - 40 - 50 - 60**  
 Electronic sensor with M12 swivel connector, from 0° to 90°,  
 in steps of 10°  
 Supply voltage: 10 ÷ 30 Vdc  
 IP code: **IP 65**  
 Pneumatic ports on both sides

Subject to technical modifications without notice

## ULP63\_\_D\_K0



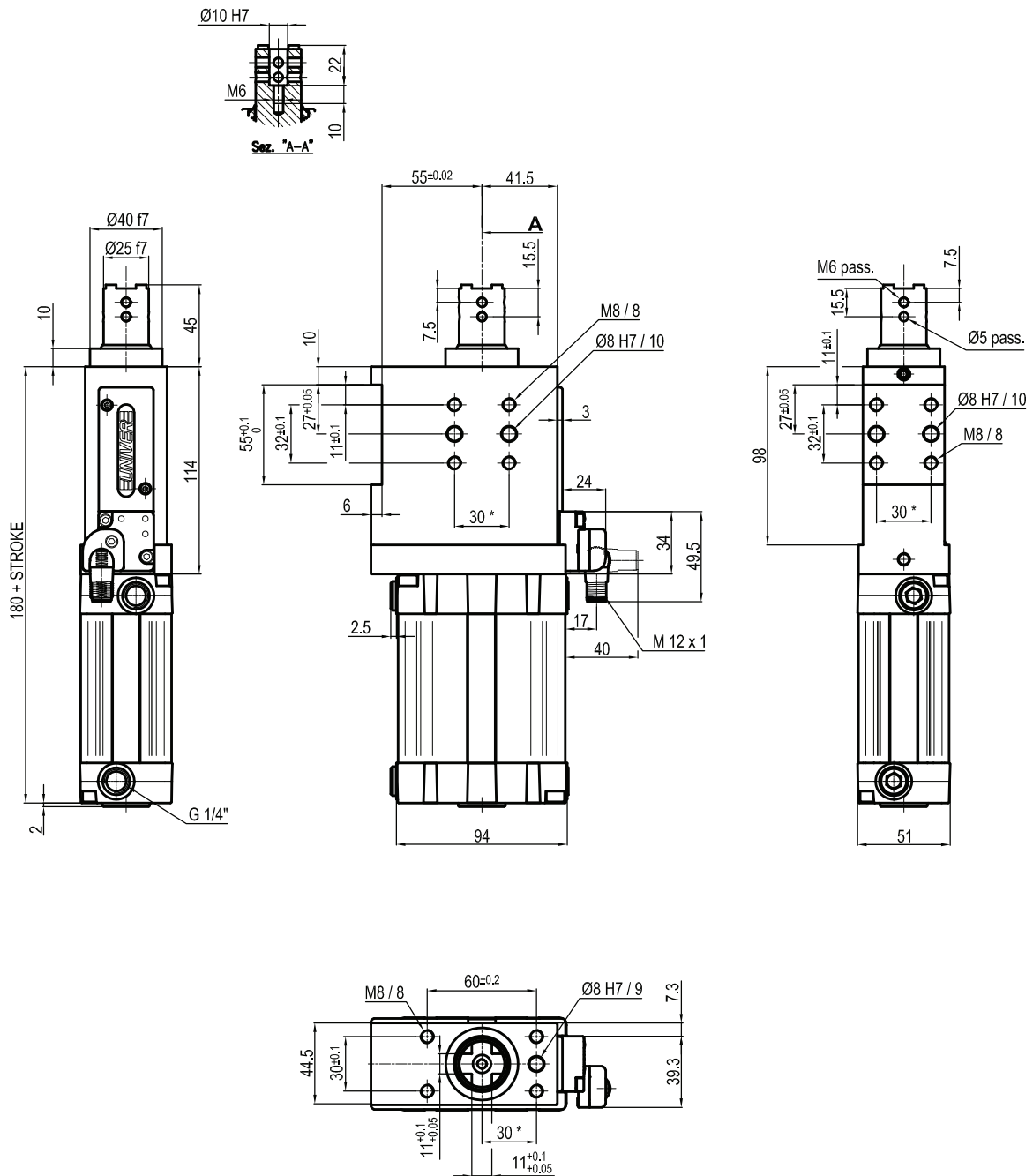
Bore Ø	Max. pull force 0,5 MPa	Max. push force 0,5 MPa	Max. torque 6 Nm	Max. deflection moment 5,5 Nm	Weight
63 mm	1430 N	1530 N	± 0,06°	± 0,03°	3,4 Kg

Min./Max. operating pressure: **0,4 / 0,6 MPa**  
 Operating temperature: **5° ± 45° C**  
 Strokes in mm.: **15 - 25 - 40 - 50 - 60**  
 Electronic sensor with M12 swivel connector, from 0° to 90°,  
 in steps of 10°  
 Supply voltage: 10 ÷ 30 Vdc  
 IP code: **IP 65**  
 Pneumatic ports on both sides

\* : TOLERANCE BETWEEN DOWELS ± 0,02, BETWEEN SCREW HOLES ± 0,1

Subject to technical modifications without notice

## ULP63\_\_EXK0



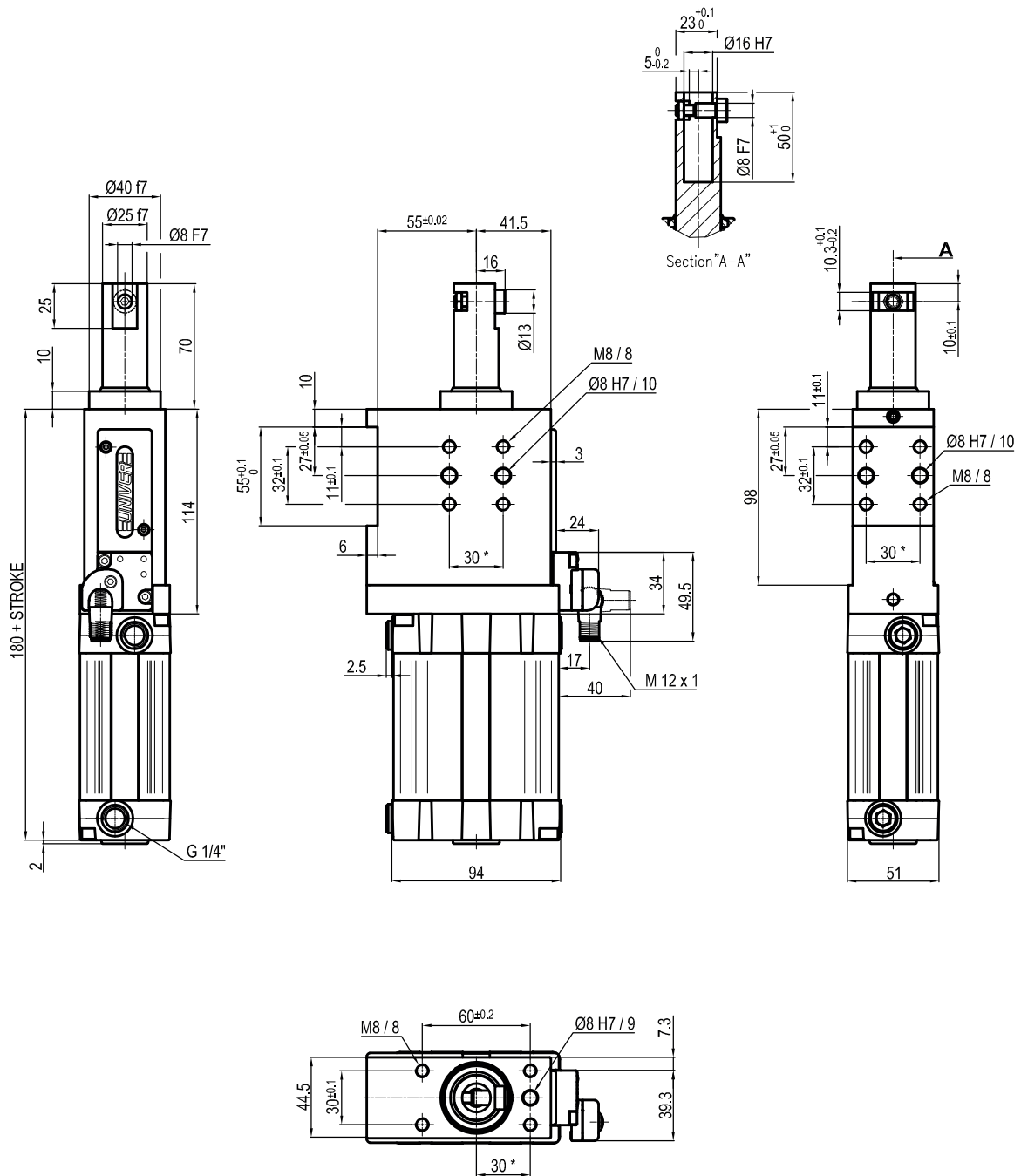
Bore Ø	Max. pull force 0,5 MPa	Max. push force 0,5 MPa	Max. torque 6 Nm	Max. deflection moment 5,5 Nm	Weight
63 mm	1430 N	1530 N	± 0,06°	± 0,03°	3,4 Kg

\* : TOLERANCE BETWEEN DOWELS ± 0,02, BETWEEN SCREW HOLES ± 0,1

Min./Max. operating pressure: **0,4 / 0,6 MPa**  
 Operating temperature: **5° ± 45° C**  
 Strokes in mm.: **15 - 25 - 40 - 50 - 60**  
 Electronic sensor with M12 swivel connector, from 0° to 90°,  
 in steps of 10°  
 Supply voltage: 10 ÷ 30 Vdc  
 IP code: **IP 65**  
 Pneumatic ports on both sides

Subject to technical modifications without notice

## ULP63\_\_FXK0



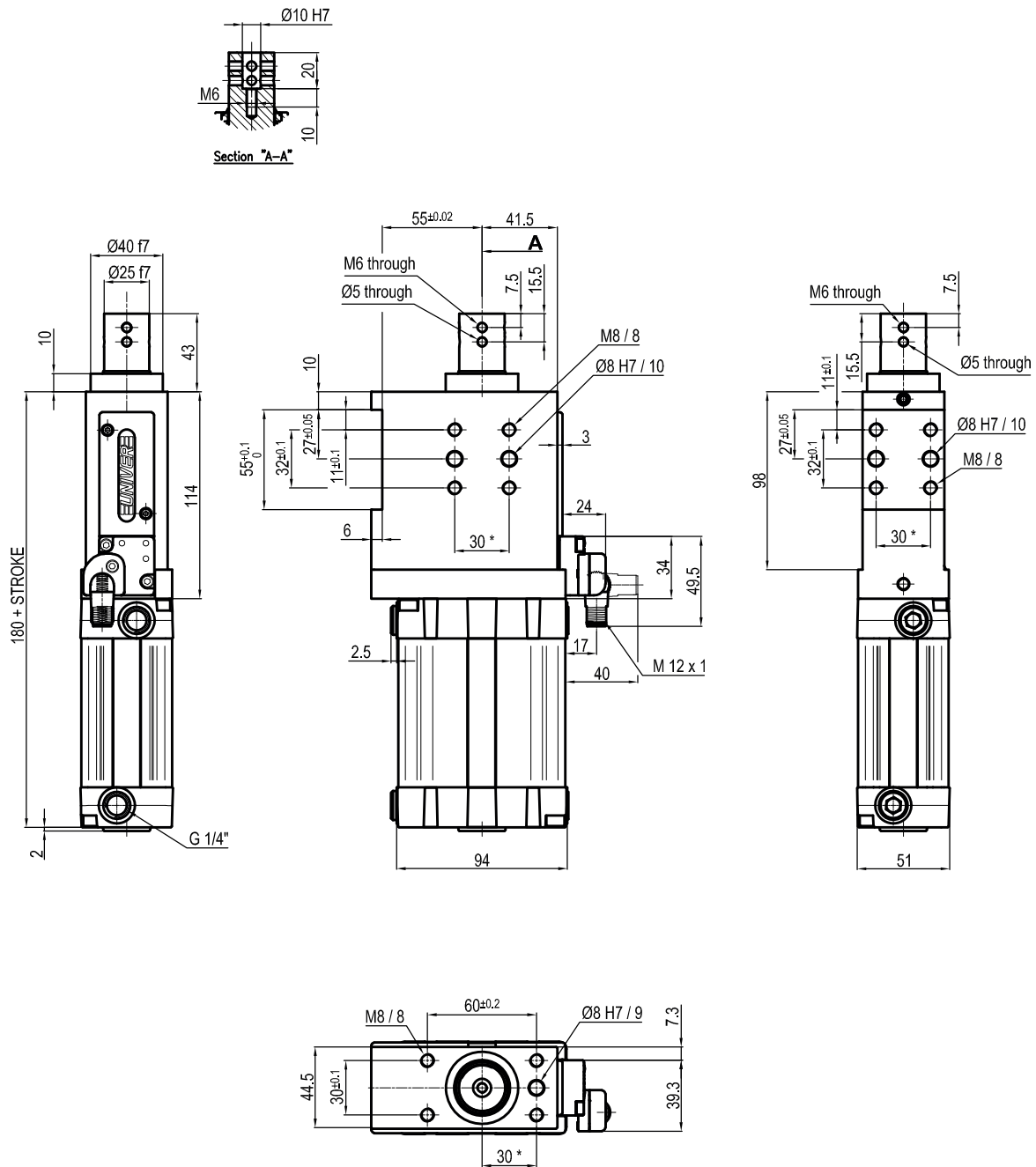
Bore Ø	Max. pull force 0,5 MPa	Max. push force 0,5 MPa	Max. torque 6 Nm	Max. deflection moment 5,5 Nm	Weight
63 mm	1430 N	1530 N	± 0,06°	± 0,03°	3,4 Kg

Min./Max. operating pressure: **0,4 / 0,6 MPa**  
 Operating temperature: **5° ± 45° C**  
 Strokes in mm.: **15 - 25 - 40 - 50 - 60**  
 Electronic sensor with M12 swivel connector, from 0° to 90°,  
 in steps of 10°  
 Supply voltage: 10 ÷ 30 Vdc  
 IP code: **IP 65**  
 Pneumatic ports on both sides

\* : TOLERANCE BETWEEN DOWELS ± 0,02, BETWEEN SCREW HOLES ± 0,1

Subject to technical modifications without notice

## ULP63\_\_HXK0



Bore Ø	Max. pull force 0,5 MPa	Max. push force 0,5 MPa	Max. torque 6 Nm	Max. deflection moment 5,5 Nm	Weight
63 mm	1430 N	1530 N	± 0,06°	± 0,03°	3,4 Kg

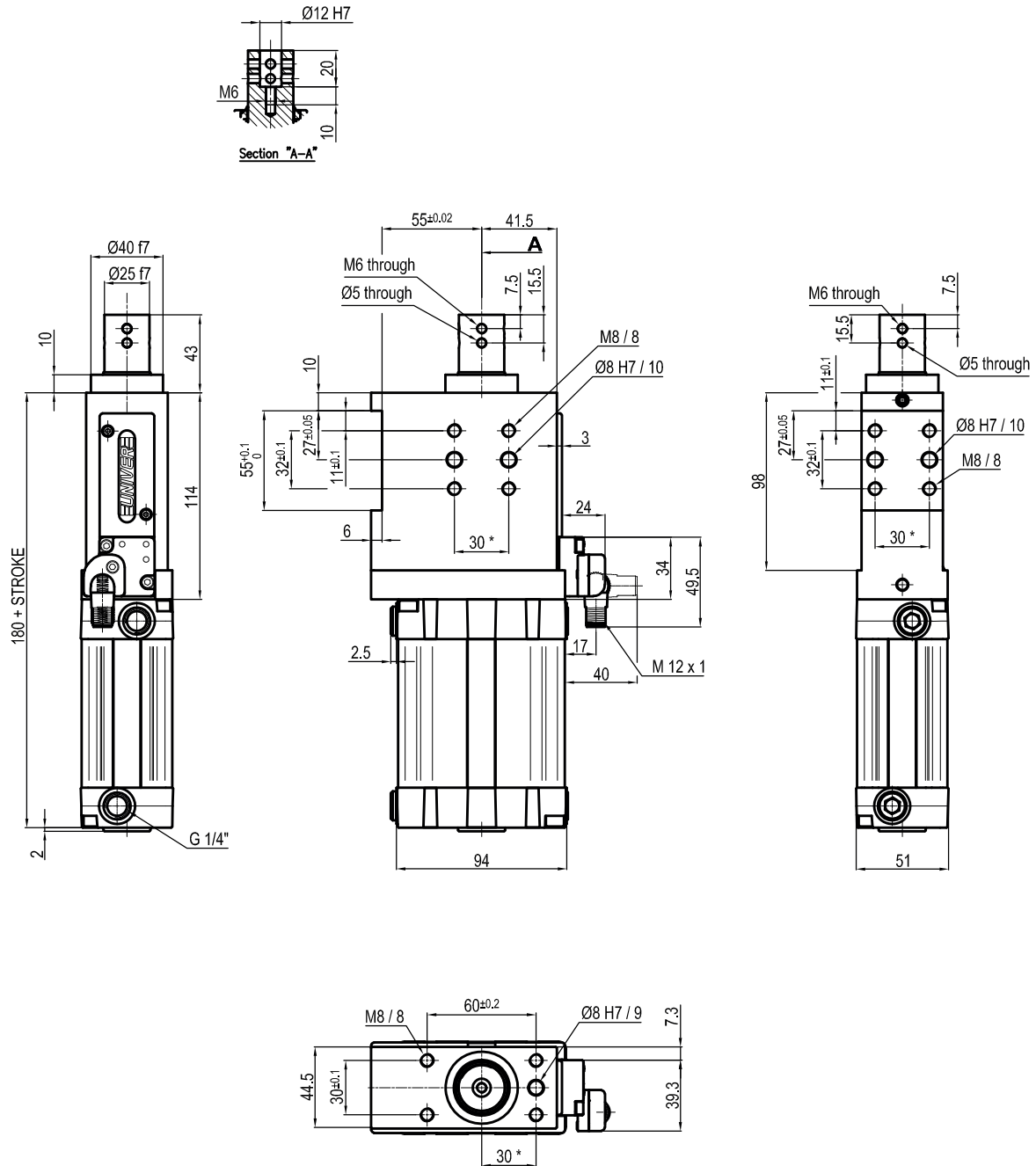
\* : TOLERANCE BETWEEN DOWELS ± 0,02, BETWEEN SCREW HOLES ± 0,1

Min./Max. operating pressure: **0,4 / 0,6 MPa**  
 Operating temperature: **5° ± 45° C**  
 Strokes in mm.: **15 - 25 - 40 - 50 - 60**  
 Electronic sensor with M12 swivel connector, from 0° to 90°, in steps of 10°  
 Supply voltage: 10 ÷ 30 Vdc  
 IP code: **IP 65**  
 Pneumatic ports on both sides

Subject to technical modifications without notice



## ULP63\_\_IXK0



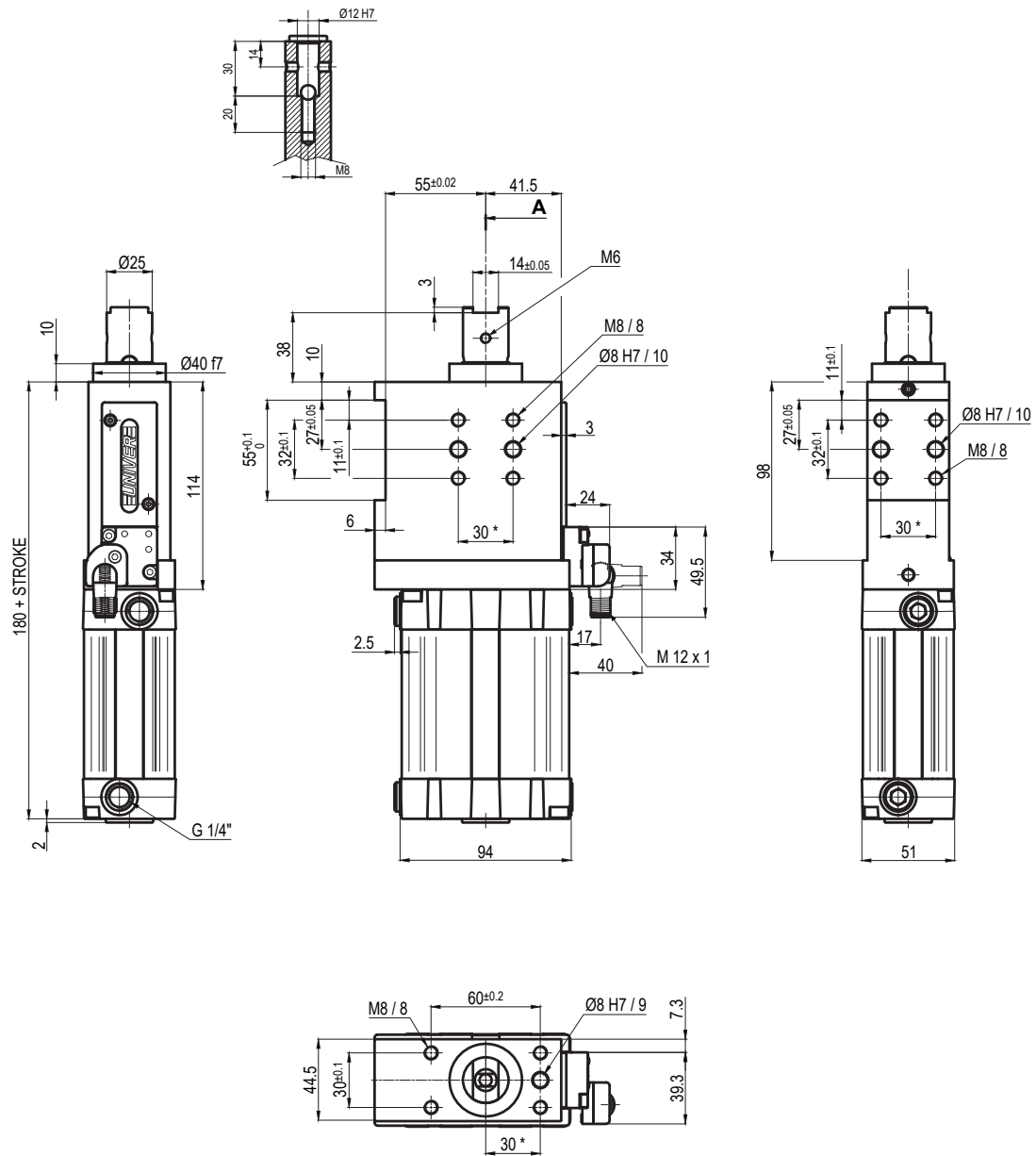
Bore Ø	Max. pull force 0,5 MPa	Max. push force 0,5 MPa	Max. torque 6 Nm	Max. deflection moment 5,5 Nm	Weight
63 mm	1430 N	1530 N	± 0,06°	± 0,03°	3,4 Kg

\* : TOLERANCE BETWEEN DOWELS ± 0,02, BETWEEN SCREW HOLES ± 0,1

Subject to technical modifications without notice

Min./Max. operating pressure: **0,4 / 0,6 MPa**  
 Operating temperature: **5° ± 45° C**  
 Strokes in mm.: **15 - 25 - 40 - 50 - 60**  
 Electronic sensor with M12 swivel connector, from 0° to 90°,  
 in steps of 10°  
 Supply voltage: 10 ÷ 30 Vdc  
 IP code: **IP 65**  
 Pneumatic ports on both sides

## ULP63\_\_LXK0



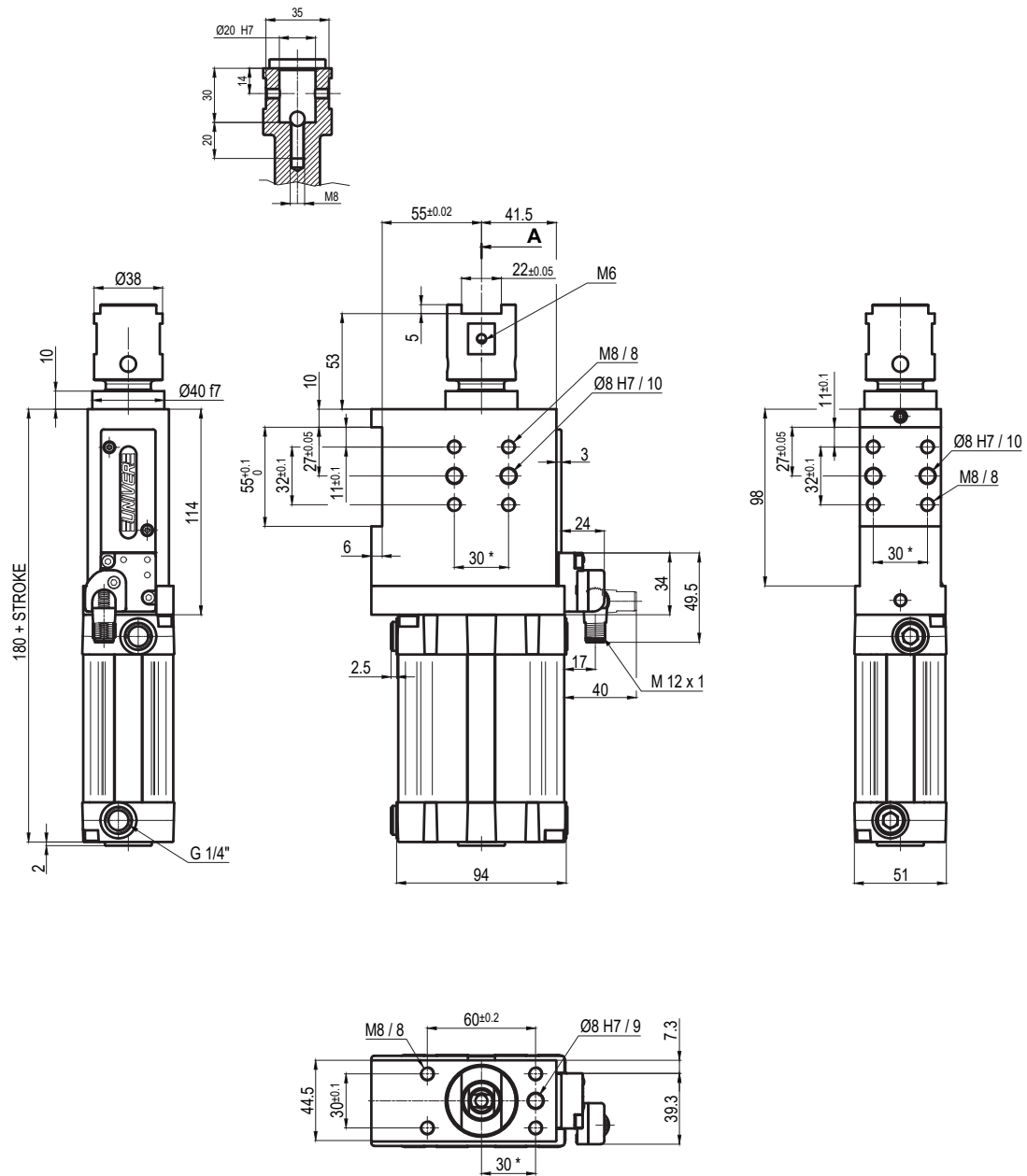
Bore Ø	Max. pull force 0,5 MPa	Max. push force 0,5 MPa	Max. torque 6 Nm	Max. deflection moment 5,5 Nm	Weight
63 mm	1430 N	1530 N	± 0,06°	± 0,03°	3,4 Kg

\* : TOLERANCE BETWEEN DOWELS ± 0,02, BETWEEN SCREW HOLES ± 0,1

Subject to technical modifications without notice

Min./Max. operating pressure: **0,4 / 0,6 MPa**  
 Operating temperature: **5°± 45° C**  
 Strokes in mm.: **15 - 25 - 40 - 50 - 60**  
 Electronic sensor with M12 swivel connector, from 0° to 90°,  
 in steps of 10°  
 Supply voltage: 10 ÷ 30 Vdc  
 IP code: **IP 65**  
 Pneumatic ports on both sides

## ULP63\_\_MXK0



Bore Ø	Max. pull force 0,5 MPa	Max. push force 0,5 MPa	Max. torque 6 Nm	Max. deflection moment 5,5 Nm	Weight
63 mm	1430 N	1530 N	± 0,06°	± 0,03°	3,4 Kg

\* : TOLERANCE BETWEEN DOWELS ± 0,02, BETWEEN SCREW HOLES ± 0,1

Subject to technical modifications without notice

Min./Max. operating pressure: **0,4 / 0,6 MPa**  
 Operating temperature: **5° ± 45° C**  
 Strokes in mm.: **15 - 25 - 40 - 50 - 60**  
 Electronic sensor with M12 swivel connector, from 0° to 90°,  
 in steps of 10°  
 Supply voltage: 10 ÷ 30 Vdc  
 IP code: **IP 65**  
 Pneumatic ports on both sides