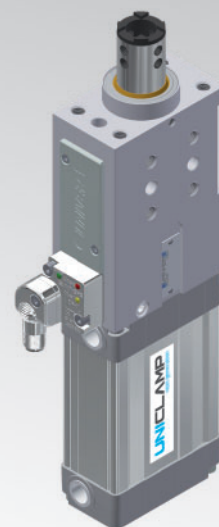


# ULP50

Unità di centraggio pneumatica UNICLAMP, singola asta, guida interna doppia



U	L	P	5	0	0	4	0	C	X	K	0
1	2	3	4				5	6	7	8	

1 Serie	2 Versione	3 Taglia	4 Corsa
---------	------------	----------	---------

UL = Unità di centraggio UNICLAMP

P = Pneumatica, singola asta, doppia guida interna

50 = Ø 50 mm

015 = 15 mm    060 = 60 mm  
 025 = 25 mm    075\* = 75 mm  
 040 = 40 mm    100\* = 100 mm  
 050 = 50 mm    110\* = 110 mm

\*corse speciali - **corpo maggiorato**

5 Terminale asta	6 Orientamento asta	7 Sensore
------------------	---------------------	-----------

- A = Asta per centraggi dislocati
- B = Asta con impronta a chiavetta
- C = Asta con impronta a chiavetta a croce, Ø interno 16 mm
- D = Asta per centraggi dislocati con fori spina maggiorati
- E = Asta con impronta chiavetta a croce, Ø interno 10 mm
- F = Asta con sede fissaggio laterale
- H = Asta con terminale piatto, Ø interno 10 mm
- I = Asta con terminale piatto, Ø interno 12 mm
- L = Asta con Ø interno 12 mm compatibile con CNOMO standard
- M = Asta con Ø interno 20 mm compatibile con CNOMO standard

X = Simmetrico

E\* = Est

O\* = Ovest

N\* = Nord

S\* = Sud

**\*Solo con terminale asta A o D**



D = Sensore pneumatico

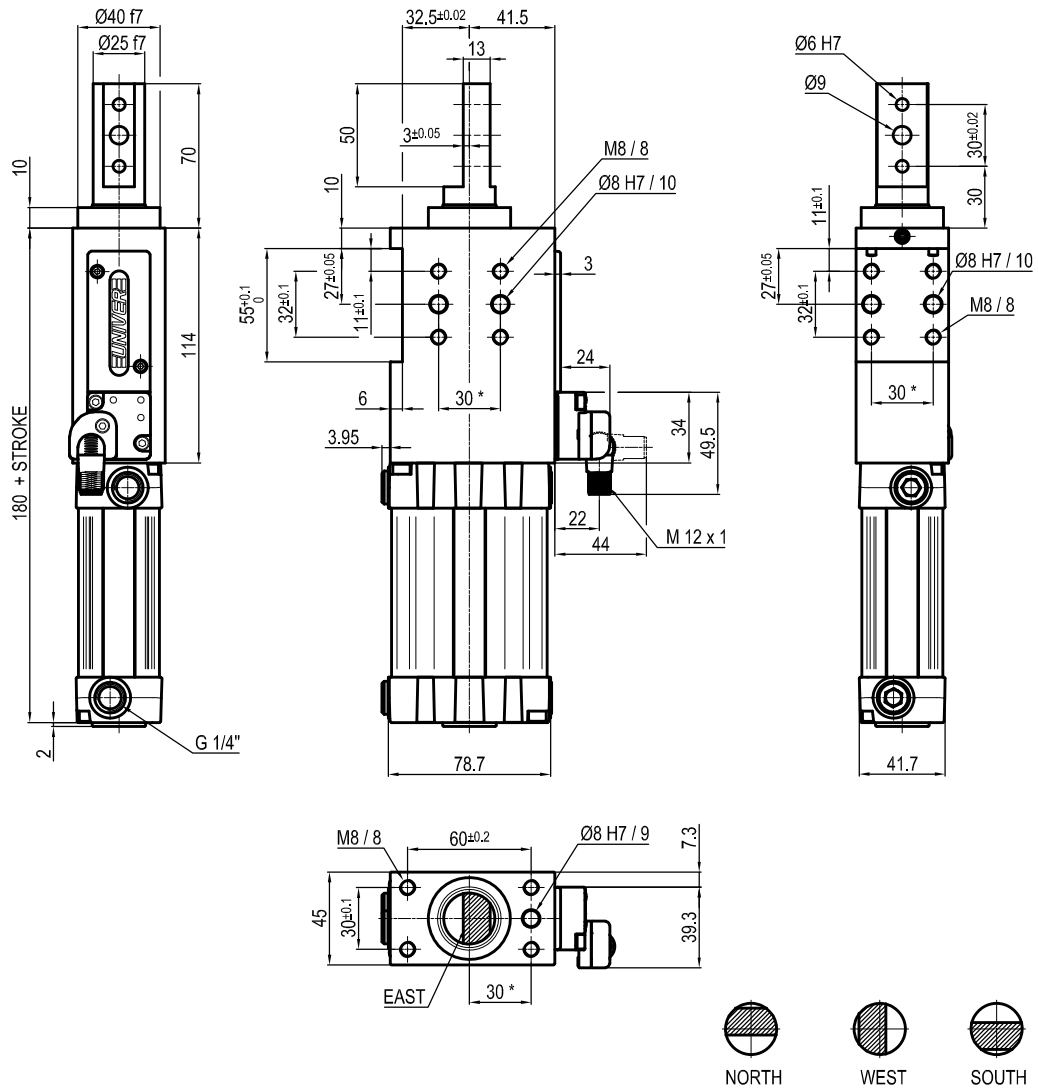
N = Senza sensore (con piastra di chiusura)

K = Sensore elettronico PNP (ottico) (DF-K)

8 Revisione prodotto
----------------------

Assegnato da UNIVER

## ULP50\_\_A\_K0



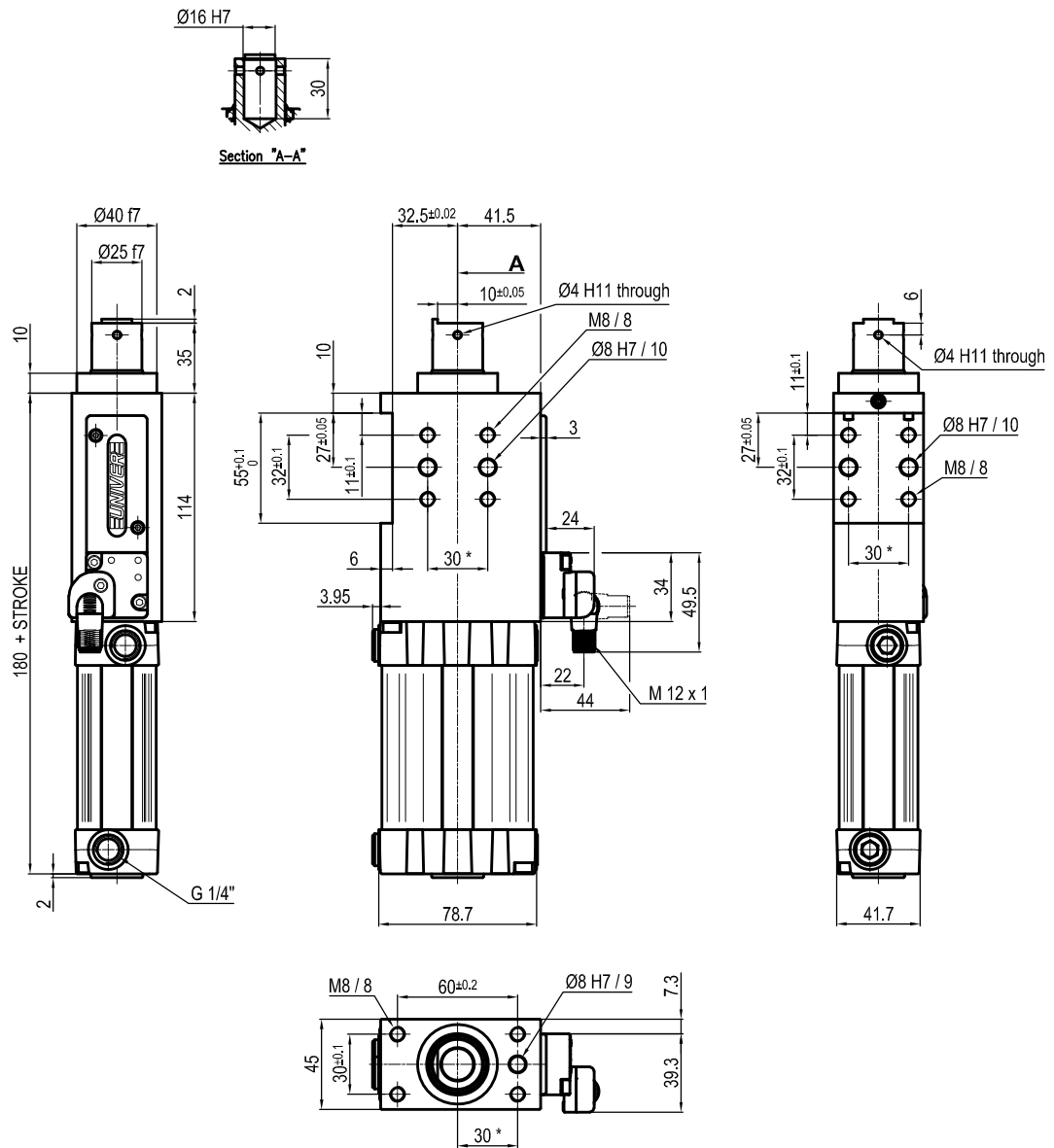
Bore Ø	Max. pull force 0,5 MPa	Max. push force 0,5 MPa	Max. torque 6 Nm	Max. deflection moment 5,5 Nm	Weight
50 mm	860 N	960 N	± 0,06°	± 0,03°	2,3 Kg

Min./Max. operating pressure: **0,4 / 0,6 MPa**  
 Operating temperature: **5° ± 45° C**  
 Strokes in mm.: **15 - 25 - 40 - 50 - 60**  
 Electronic sensor with M12 swivel connector, from 0° to 90°,  
 in steps of 10°  
 Supply voltage: 10 ÷ 30 Vdc  
 IP code: **IP 65**  
 Pneumatic ports on both sides

\* : TOLERANCE BETWEEN DOWELS ± 0.02, BETWEEN SCREW HOLES ± 0.1

Subject to technical modifications without notice

## ULP50\_\_BXK0



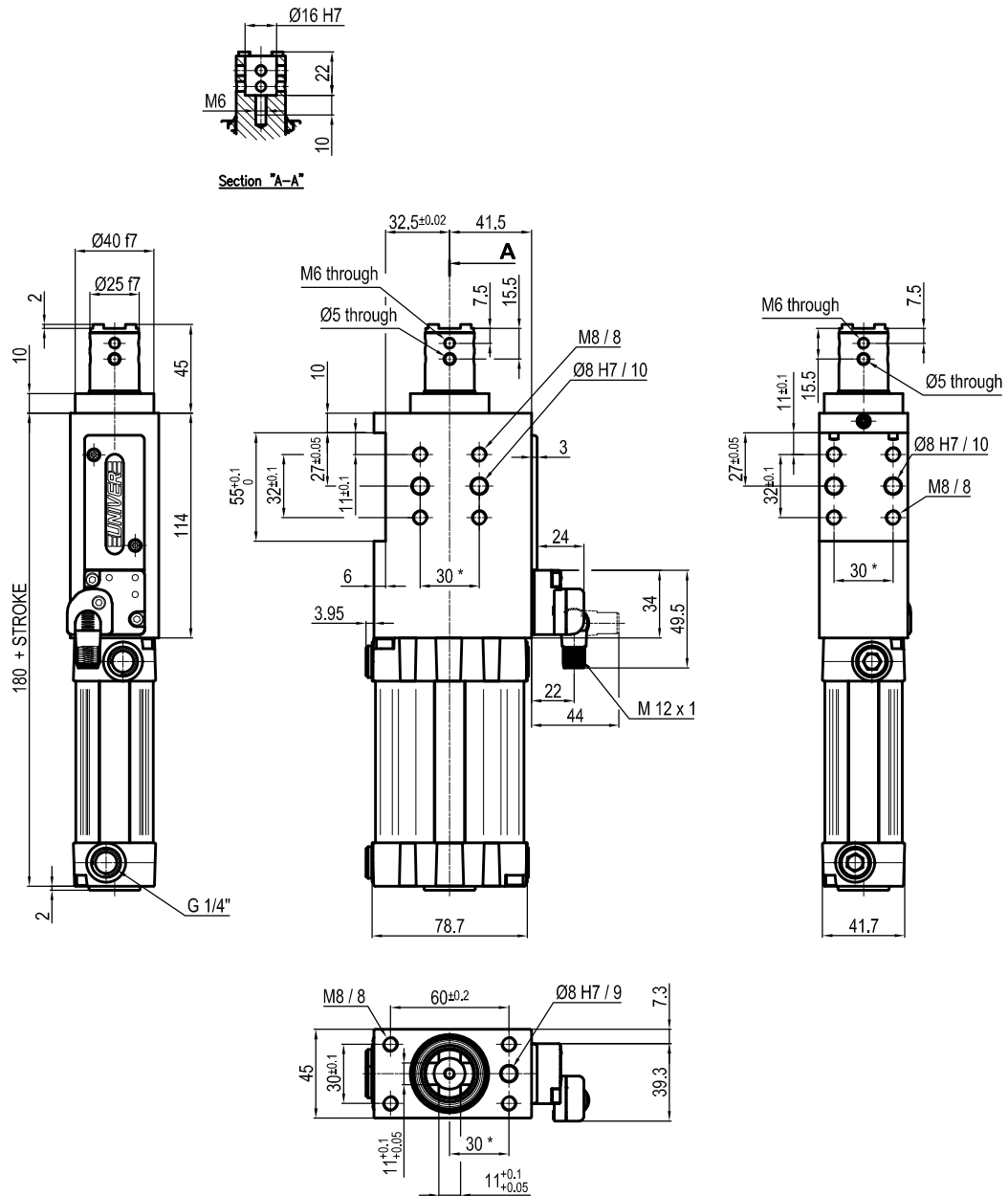
Bore Ø	Max. pull force 0,5 MPa	Max. push force 0,5 MPa	Max. torque 6 Nm	Max. deflection moment 5,5 Nm	Weight
50 mm	860 N	960 N	± 0,06°	± 0,03°	2,3 Kg

Min./Max. operating pressure: **0,4 / 0,6 MPa**  
 Operating temperature: **5° ± 45° C**  
 Strokes in mm.: **15 - 25 - 40 - 50 - 60**  
 Electronic sensor with M12 swivel connector, from 0° to 90°,  
 in steps of 10°  
 Supply voltage: 10 ÷ 30 Vdc  
 IP code: **IP 65**  
 Pneumatic ports on both sides

\* : TOLERANCE BETWEEN DOWELS ± 0.02, BETWEEN SCREW HOLES ± 0.1

Subject to technical modifications without notice

## ULP50\_\_CXK0



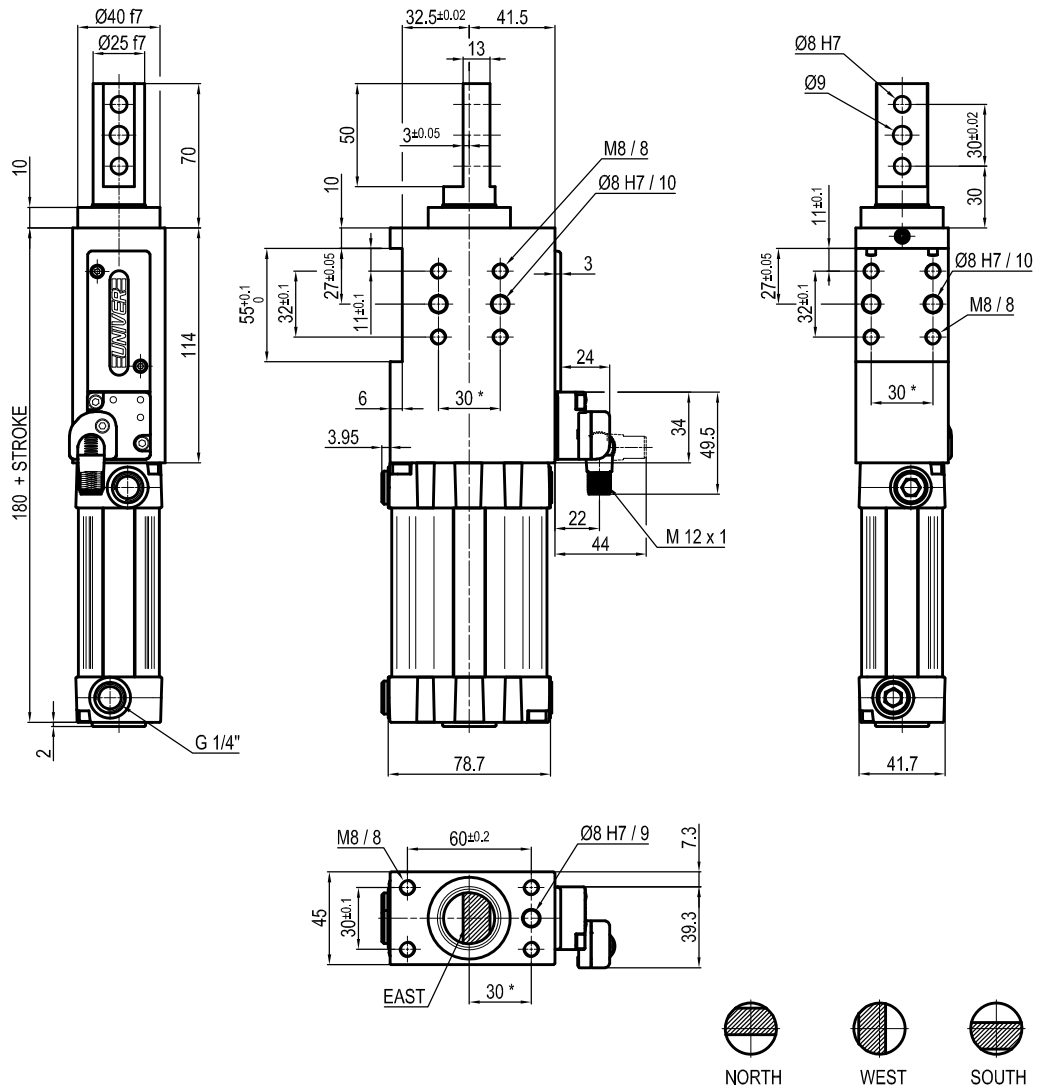
Bore Ø	Max. pull force 0,5 MPa	Max. push force 0,5 MPa	Max. torque 6 Nm	Max. deflection moment 5,5 Nm	Weight
50 mm	860 N	960 N	± 0,06°	± 0,03°	2,3 Kg

Min./Max. operating pressure: **0,4 / 0,6 MPa**  
 Operating temperature: **5° ± 45° C**  
 Strokes in mm.: **15 - 25 - 40 - 50 - 60**  
 Electronic sensor with M12 swivel connector, from 0° to 90°,  
 in steps of 10°  
 Supply voltage: 10 ÷ 30 Vdc  
 IP code: **IP 65**  
 Pneumatic ports on both sides

\* : TOLERANCE BETWEEN DOWELS ± 0.02, BETWEEN SCREW HOLES ± 0.1

Subject to technical modifications without notice

## ULP50\_\_D\_K0



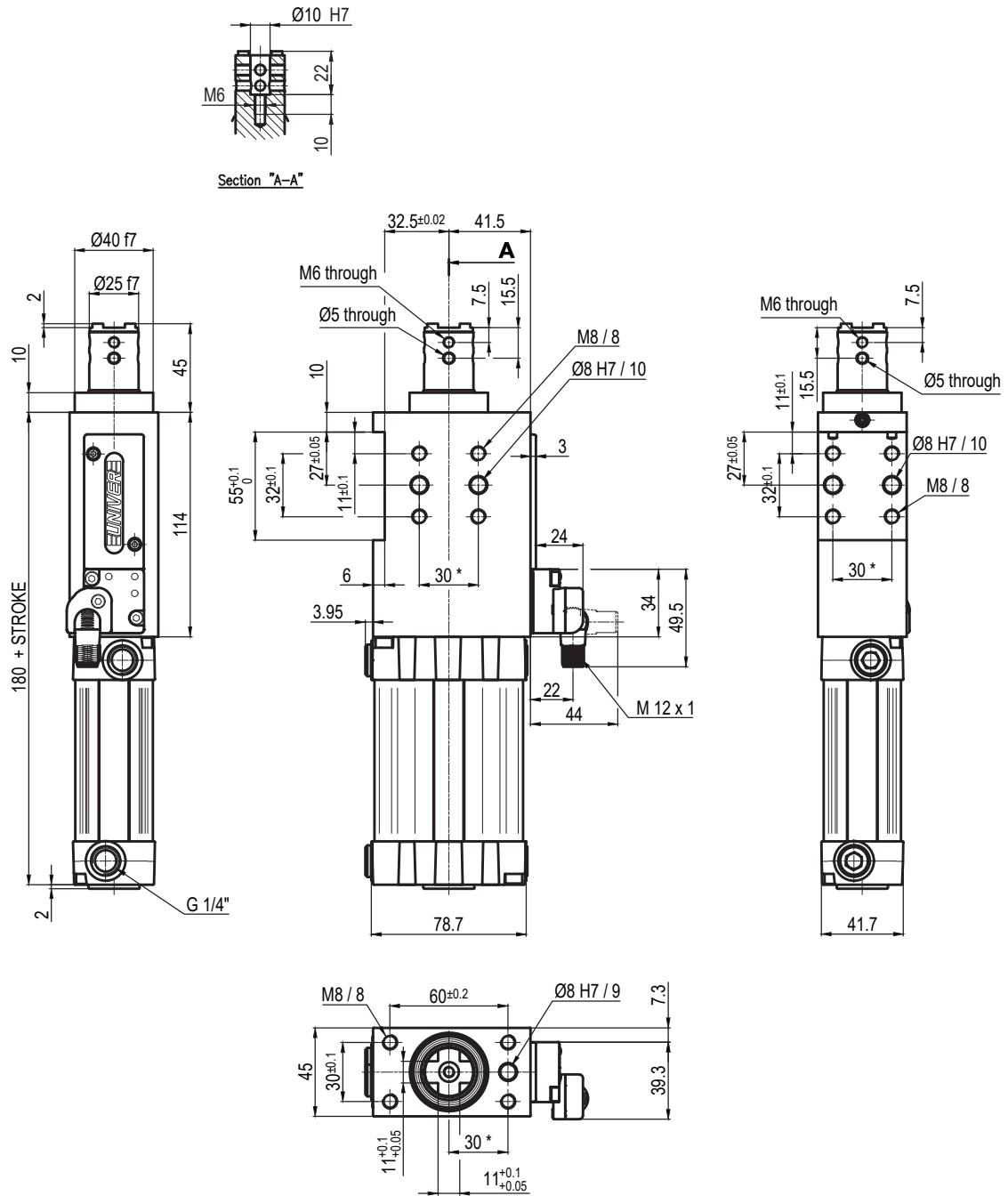
Bore $\varnothing$	Max. pull force 0,5 MPa	Max. push force 0,5 MPa	Max. torque 6 Nm	Max. deflection moment 5,5 Nm	Weight
50 mm	860 N	960 N	± 0,06°	± 0,03°	2,3 Kg

Min./Max. operating pressure: **0,4 / 0,6 MPa**  
 Operating temperature: **5° ± 45° C**  
 Strokes in mm.: **15 - 25 - 40 - 50 - 60**  
 Electronic sensor with M12 swivel connector, from 0° to 90°,  
 in steps of 10°  
 Supply voltage: 10 ÷ 30 Vdc  
 IP code: **IP 65**  
 Pneumatic ports on both sides

\* : TOLERANCE BETWEEN DOWELS ± 0,02, BETWEEN SCREW HOLES ± 0,1

Subject to technical modifications without notice

## ULP50\_\_EXK0



Bore Ø	Max. pull force 0,5 MPa	Max. push force 0,5 MPa	Max. torque 6 Nm	Max. deflection moment 5,5 Nm	Weight
50 mm	860 N	960 N	± 0,06°	± 0,03°	2,3 Kg

 Min./Max. operating pressure: **0,4 / 0,6 MPa**

 Operating temperature: **5°± 45° C**

 Strokes in mm.: **15 - 25 - 40 - 50 - 60**

Electronic sensor with M12 swivel connector, from 0° to 90°, in steps of 10°

Supply voltage: 10 ÷ 30 Vdc

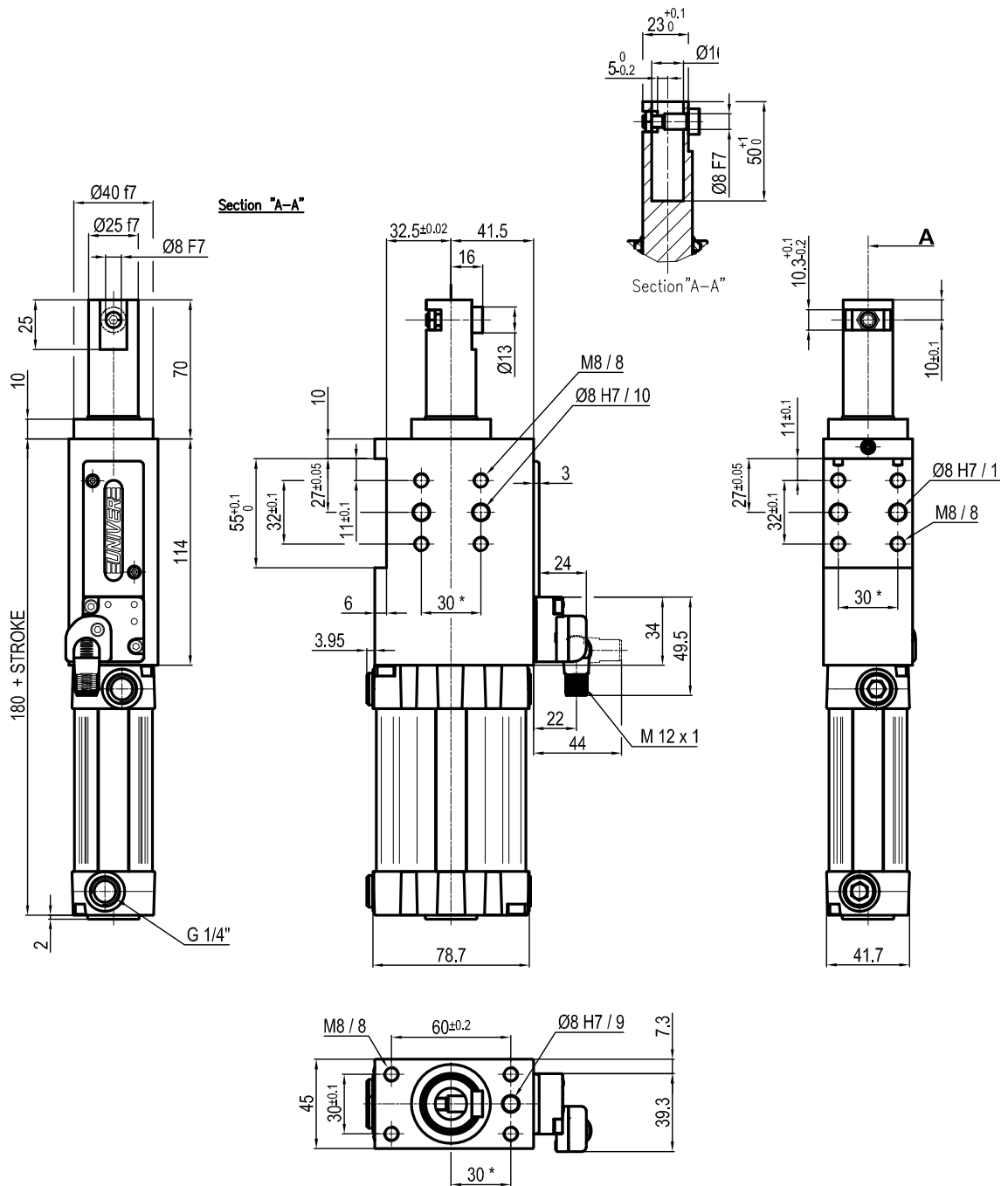
 IP code: **IP 65**

Pneumatic ports on both sides

\* : TOLERANCE BETWEEN DOWELS ± 0.02, BETWEEN SCREW HOLES ± 0.1

Subject to technical modifications without notice

## ULP50\_\_FXK0



Bore Ø	Max. pull force 0,5 MPa	Max. push force 0,5 MPa	Max. torque 6 Nm	Max. deflection moment 5,5 Nm	Weight
50 mm	860 N	960 N	± 0,06°	± 0,03°	2,3 Kg

 Min./Max. operating pressure: **0,4 / 0,6 MPa**

 Operating temperature: **5° ± 45° C**

 Strokes in mm.: **15 - 25 - 40 - 50 - 60**

Electronic sensor with M12 swivel connector, from 0° to 90°, in steps of 10°

Supply voltage: 10 ÷ 30 Vdc

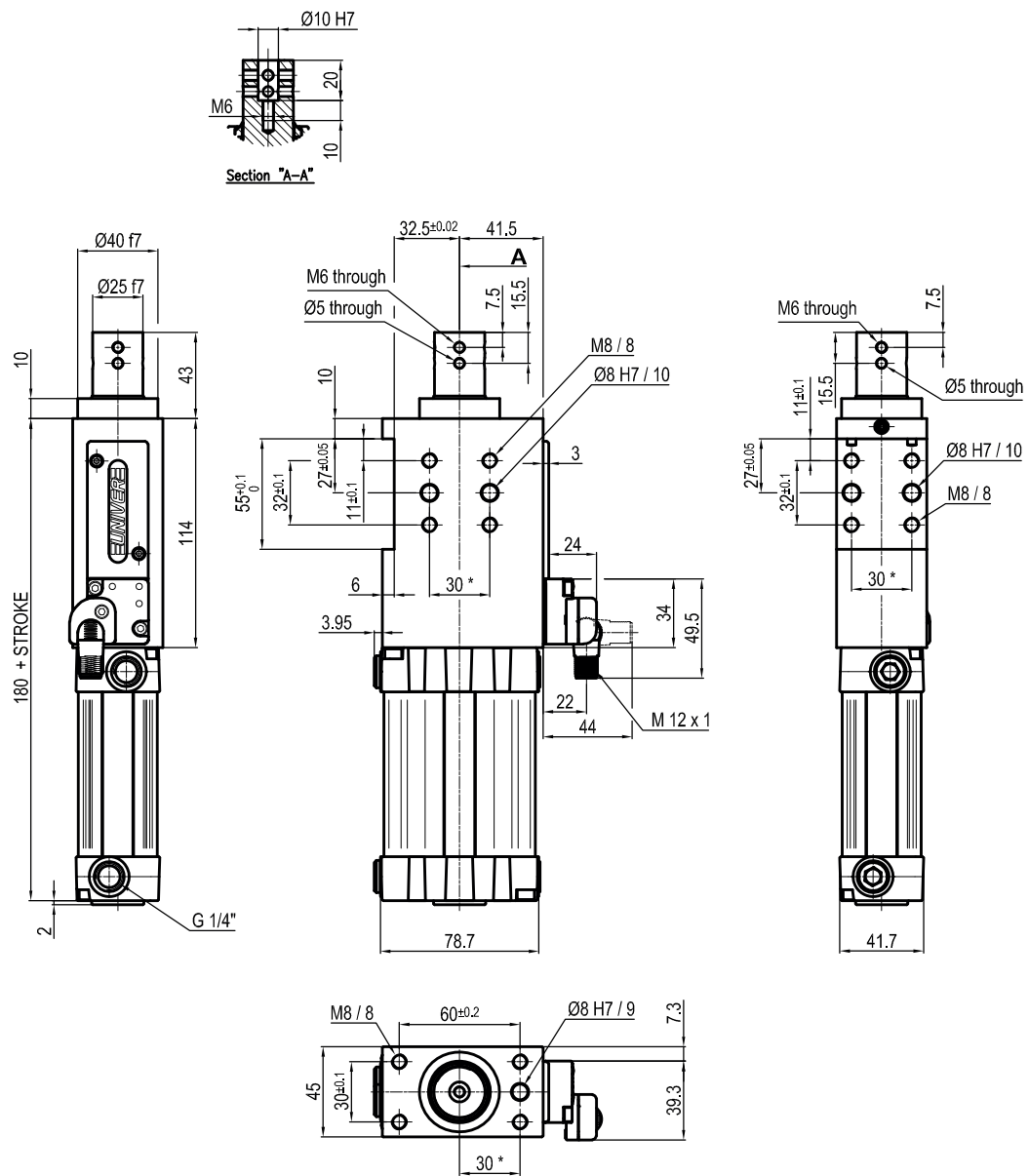
 IP code: **IP 65**

Pneumatic ports on both sides

\* : TOLERANCE BETWEEN DOWELS ± 0.02, BETWEEN SCREW HOLES ± 0.1

Subject to technical modifications without notice

## ULP50\_\_HXK0



Bore Ø	Max. pull force 0,5 MPa	Max. push force 0,5 MPa	Max. torque 6 Nm	Max. deflection moment 5,5 Nm	Weight
50 mm	860 N	960 N	± 0,06°	± 0,03°	2,3 Kg

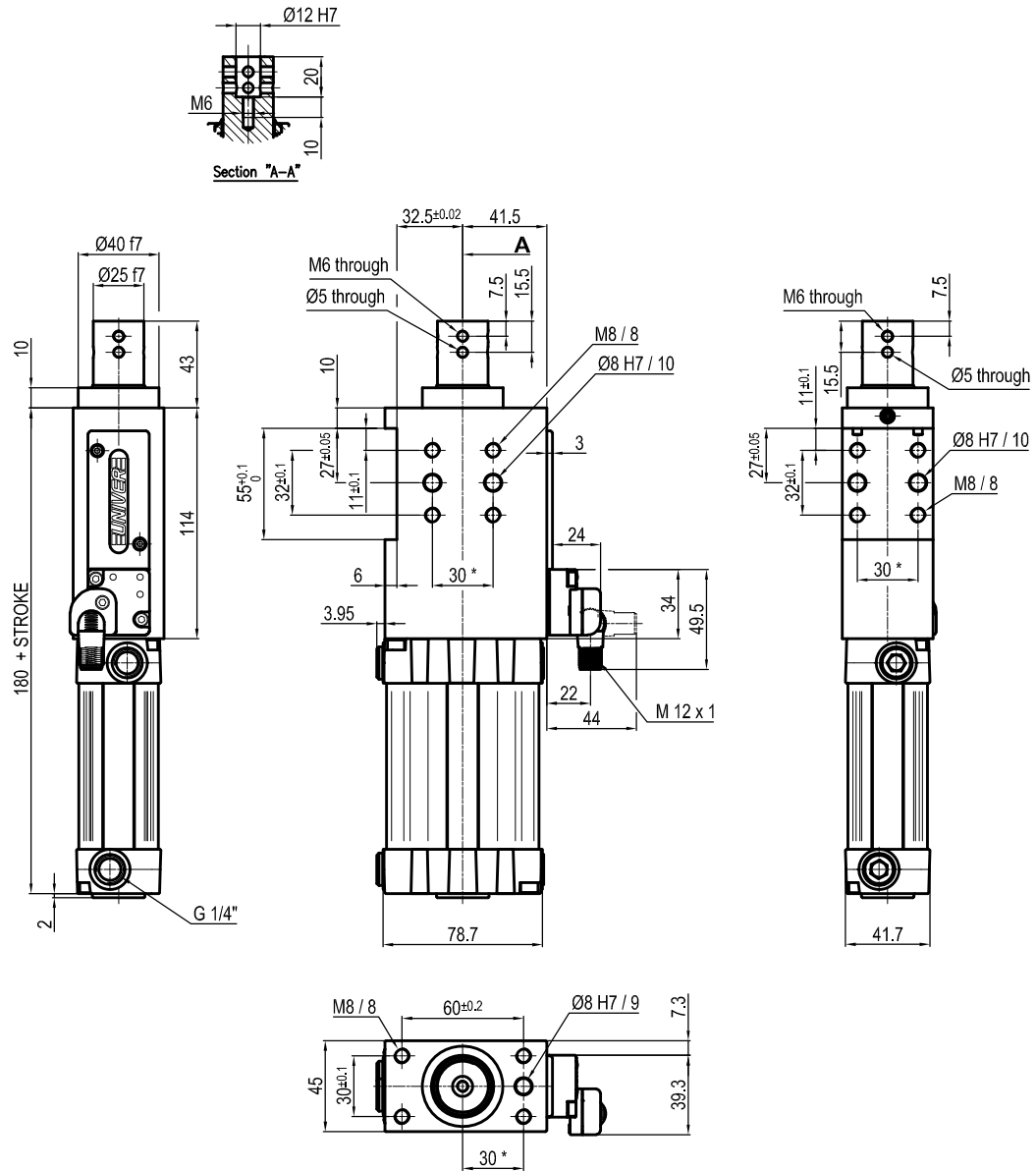
Min./Max. operating pressure: **0,4 / 0,6 MPa**  
 Operating temperature: **5° ± 45° C**  
 Strokes in mm.: **15 - 25 - 40 - 50 - 60**  
 Electronic sensor with M12 swivel connector, from 0° to 90°,  
 in steps of 10°  
 Supply voltage: 10 ÷ 30 Vdc  
 IP code: **IP 65**  
 Pneumatic ports on both sides

\* : TOLERANCE BETWEEN DOWELS ± 0.02, BETWEEN SCREW HOLES ± 0.1

Subject to technical modifications without notice



## ULP50\_\_IXK0



Bore $\text{Ø}$	Max. pull force 0,5 MPa	Max. push force 0,5 MPa	Max. torque 6 Nm	Max. deflection moment 5,5 Nm	Weight
50 mm	860 N	960 N	$\pm 0,06^\circ$	$\pm 0,03^\circ$	2,3 Kg

 Min./Max. operating pressure: **0,4 / 0,6 MPa**

 Operating temperature:  **$5^\circ \pm 45^\circ\text{ C}$** 

 Strokes in mm.: **15 - 25 - 40 - 50 - 60**

 Electronic sensor with M12 swivel connector, from  $0^\circ$  to  $90^\circ$ ,  
in steps of  $10^\circ$ 

 Supply voltage:  $10 \div 30\text{ Vdc}$ 

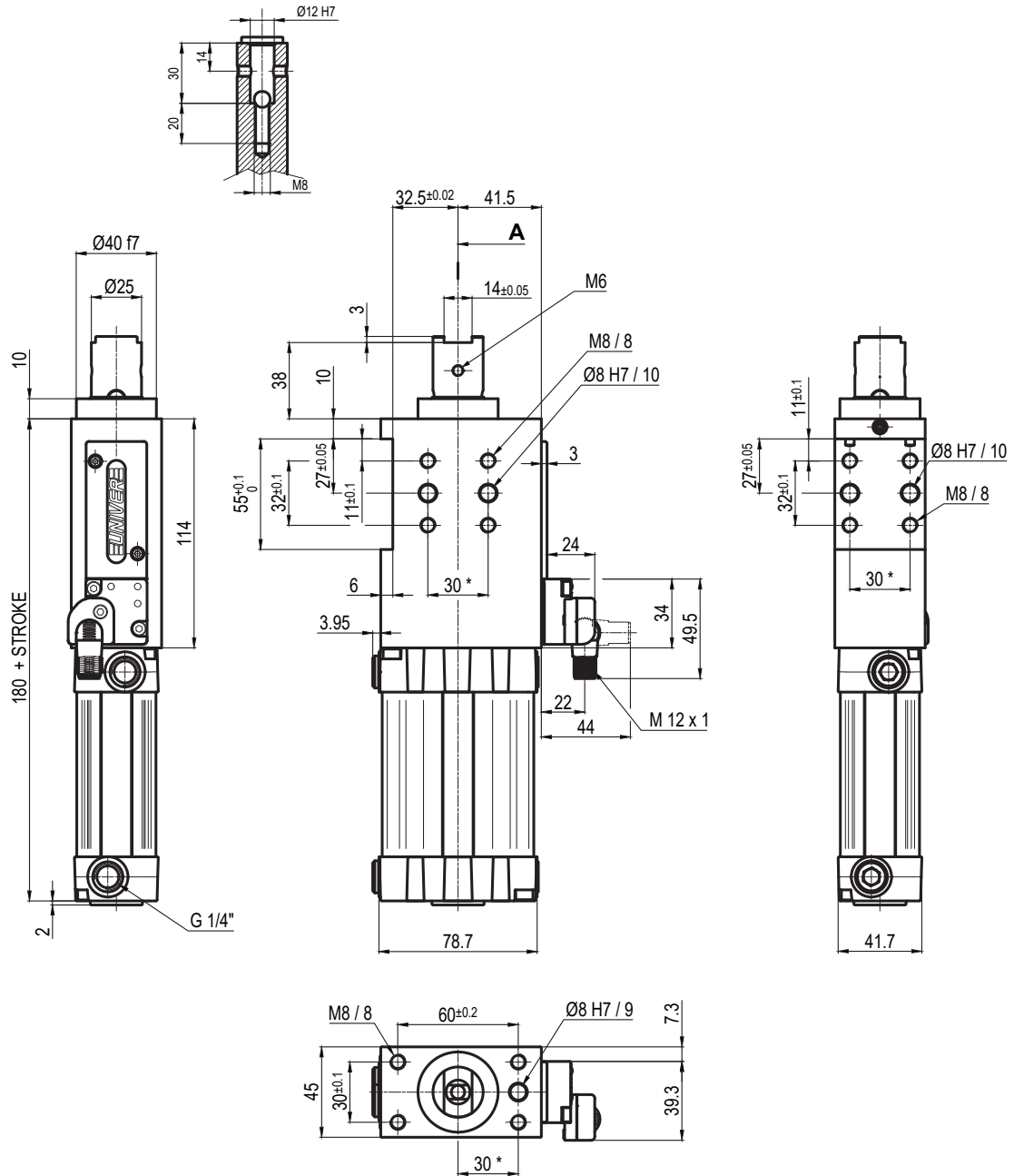
 IP code: **IP 65**

Pneumatic ports on both sides

 \* : TOLERANCE BETWEEN DOWELS  $\pm 0.02$ , BETWEEN SCREW HOLES  $\pm 0.1$ 

Subject to technical modifications without notice

## ULP50\_\_LXK0



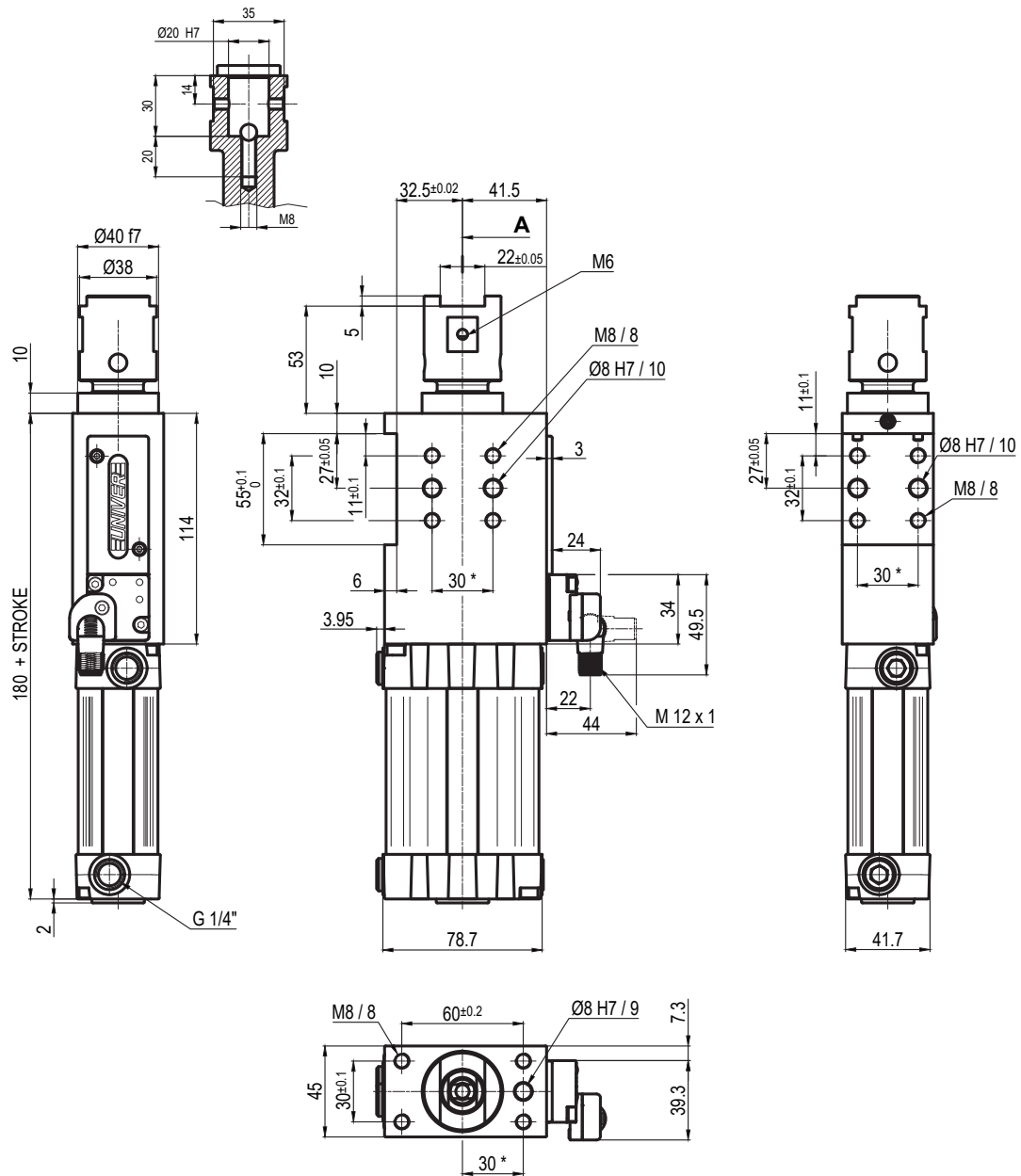
Bore $\varnothing$	Max. pull force 0,5 MPa	Max. push force 0,5 MPa	Max. torque 6 Nm	Max. deflection moment 5,5 Nm	Weight
50 mm	860 N	960 N	$\pm 0,06^\circ$	$\pm 0,03^\circ$	2,3 Kg

Min./Max. operating pressure: **0,4 / 0,6 MPa**  
 Operating temperature: **5° ± 45° C**  
 Strokes in mm.: **15 - 25 - 40 - 50 - 60**  
 Electronic sensor with M12 swivel connector, from 0° to 90°,  
 in steps of 10°  
 Supply voltage: 10 ÷ 30 Vdc  
 IP code: **IP 65**  
 Pneumatic ports on both sides

\* : TOLERANCE BETWEEN DOWELS  $\pm 0.02$ , BETWEEN SCREW HOLES  $\pm 0.1$

Subject to technical modifications without notice

## ULP50\_\_MXK0



Bore $\varnothing$	Max. pull force 0,5 MPa	Max. push force 0,5 MPa	Max. torque 6 Nm	Max. deflection moment 5,5 Nm	Weight
50 mm	860 N	960 N	± 0,06°	± 0,03°	2,3 Kg

Min./Max. operating pressure: **0,4 / 0,6 MPa**  
 Operating temperature: **5° ± 45° C**  
 Strokes in mm.: **15 - 25 - 40 - 50 - 60**  
 Electronic sensor with M12 swivel connector, from 0° to 90°,  
 in steps of 10°  
 Supply voltage: 10 ÷ 30 Vdc  
 IP code: **IP 65**  
 Pneumatic ports on both sides

\* : TOLERANCE BETWEEN DOWELS ± 0.02, BETWEEN SCREW HOLES ± 0.1

Subject to technical modifications without notice