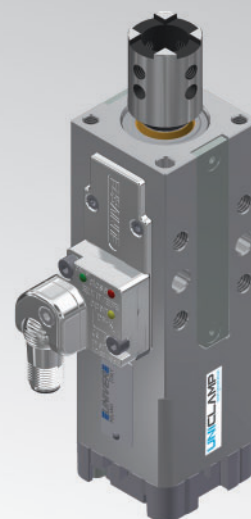


# ULP32

Unità di centraggio pneumatica UNICLAMP, singola asta



U	L	P	3	2	0	4	0	C	X	K	0
1	2	3	4		5	6	7	8			

1 Serie	2 Versione	3 Taglia	4 Corsa
---------	------------	----------	---------

UL = Unità di centraggio UNICLAMP

P = Pneumatica, singola asta

32 = Ø 32 mm

020 = 20 mm  
040 = 40 mm

5 Terminale asta	6 Orientamento asta	7 Sensore
------------------	---------------------	-----------

A = Asta per centraggi dislocati  
 B = Asta con impronta a chiave  
 C = Asta con impronta a chiave a croce, Ø interno 16 mm  
 E = Asta con impronta chiave a croce, Ø interno 10 mm

X = Simmetrico

E\* = Est

O\* = Ovest

N\* = Nord

S\* = Sud



D = Sensore pneumatico

N = Senza sensore (con piastra di chiusura)

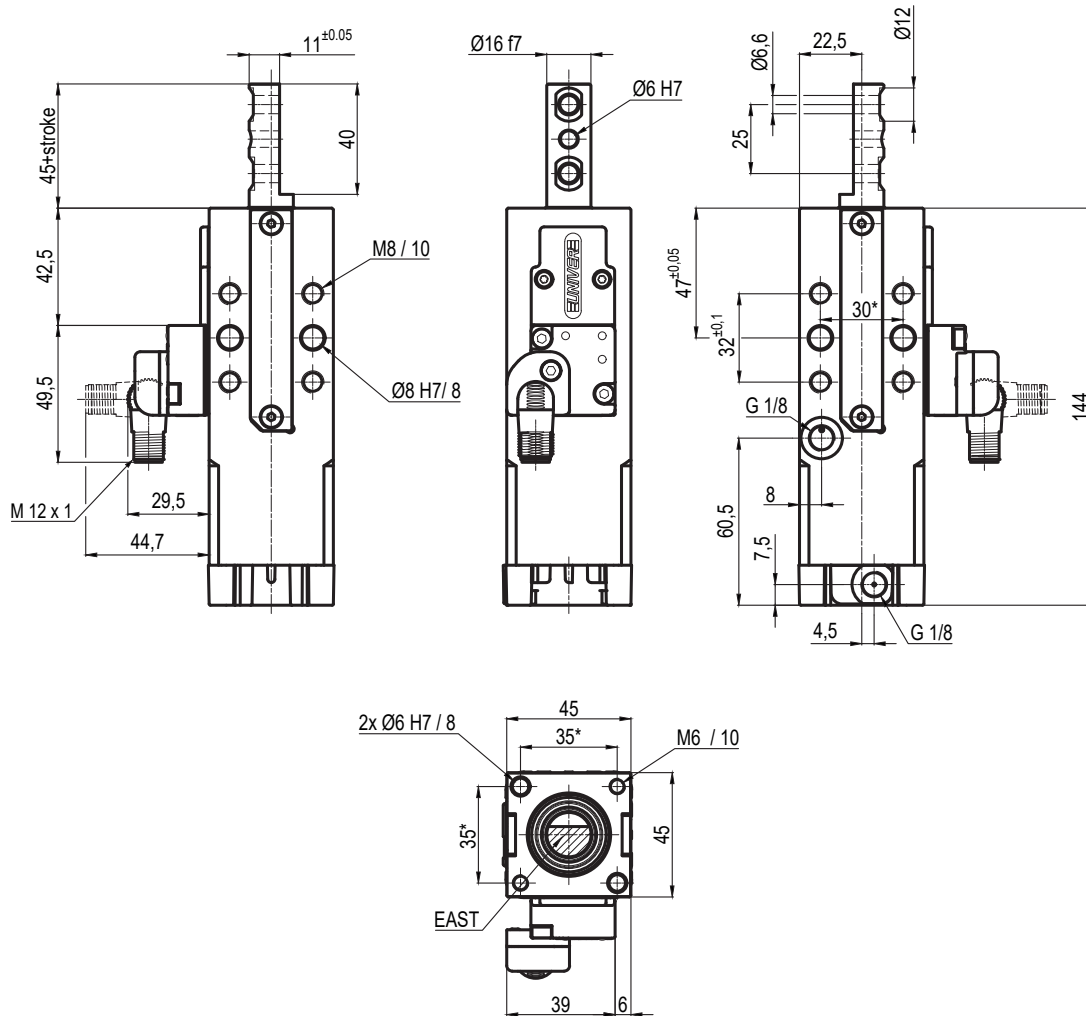
K = Sensore elettronico PNP (ottico) (DF-K)

\*Solo con terminale asta A

8 Revisione prodotto
----------------------

Assegnato da UNIVER

## ULP32\_\_A\_K0



WEST



SOUTH



NORTH

Bore Ø	Max. pull force 0,5 MPa	Max. push force 0,5 MPa	Max. torque 6 Nm	Max. deflection moment 5,5 Nm	Weight
32 mm	296 N	390 N	± 0,06°	± 0,03°	1,7 Kg

 Min./Max. operating pressure: **0,4 / 0,6 MPa**

 Operating temperature: **5°÷ 45° C**

 Strokes in mm.: **20 - 40**

Electronic sensor with M12 swivel connector, from 0° to 90°, in steps of 10°

Supply voltage: 10 ÷ 30 Vdc

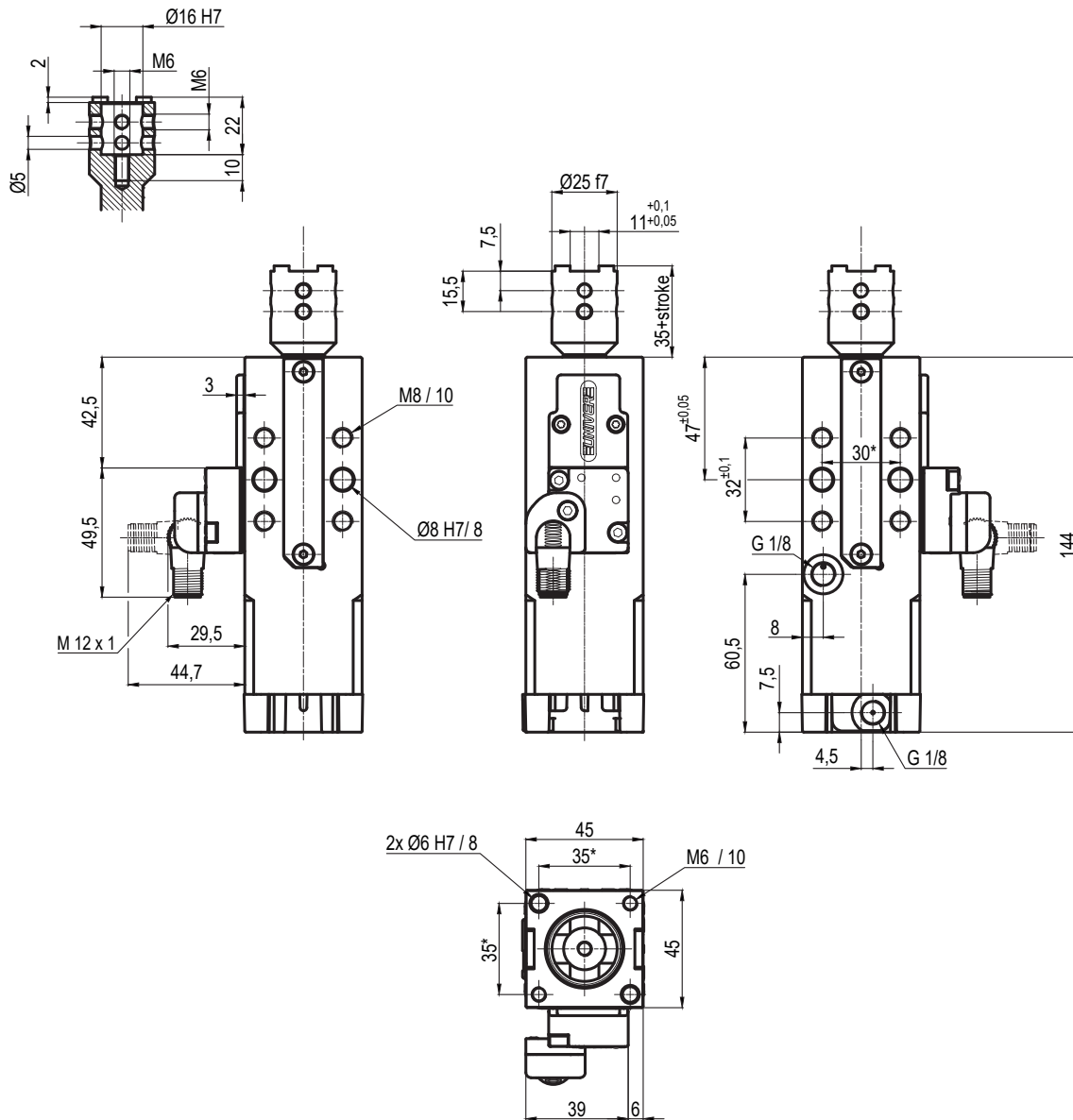
 IP code: **IP 65**

Pneumatic ports on both sides

\* : TOLERANCE BETWEEN DOWELS ± 0,02, BETWEEN SCREW HOLES ± 0,1

Subject to technical modifications without notice

## ULP32\_\_CXK0



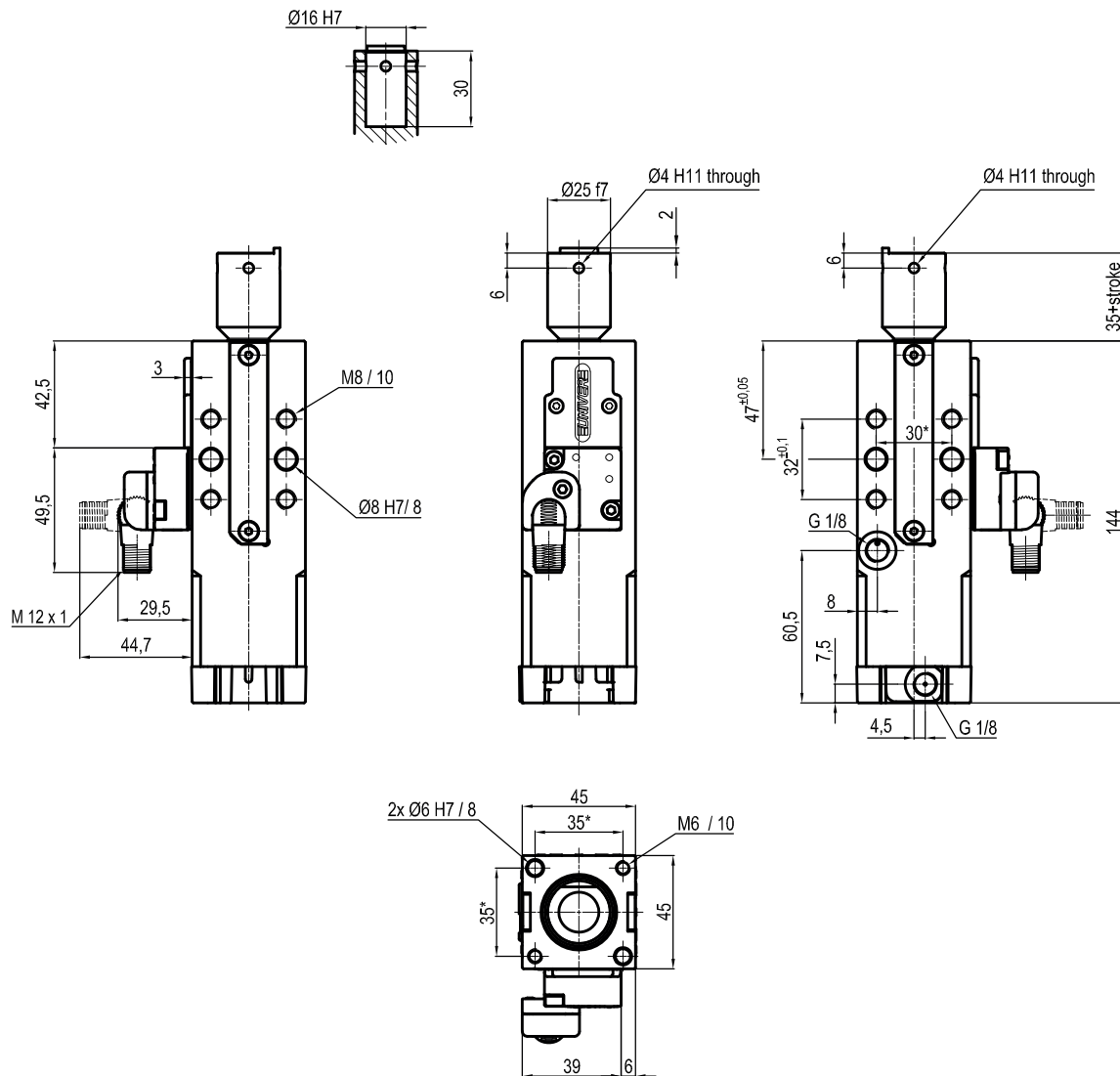
Bore Ø	Max. pull force 0,5 MPa	Max. push force 0,5 MPa	Max. torque 6 Nm	Max. deflection moment 5,5 Nm	Weight
32 mm	296 N	390 N	± 0,06°	± 0,03°	1,7 Kg

Min./Max. operating pressure: **0,4 / 0,6 MPa**  
 Operating temperature: **5° ± 45° C**  
 Strokes in mm.: **20 - 40**  
 Electronic sensor with M12 swivel connector, from 0° to 90°,  
 in steps of 10°  
 Supply voltage: 10 ÷ 30 Vdc  
 IP code: **IP 65**  
 Pneumatic ports on both sides

\* : TOLERANCE BETWEEN DOWELS ± 0,02, BETWEEN SCREW HOLES ± 0,1

Subject to technical modifications without notice

## ULP32\_\_BXK0



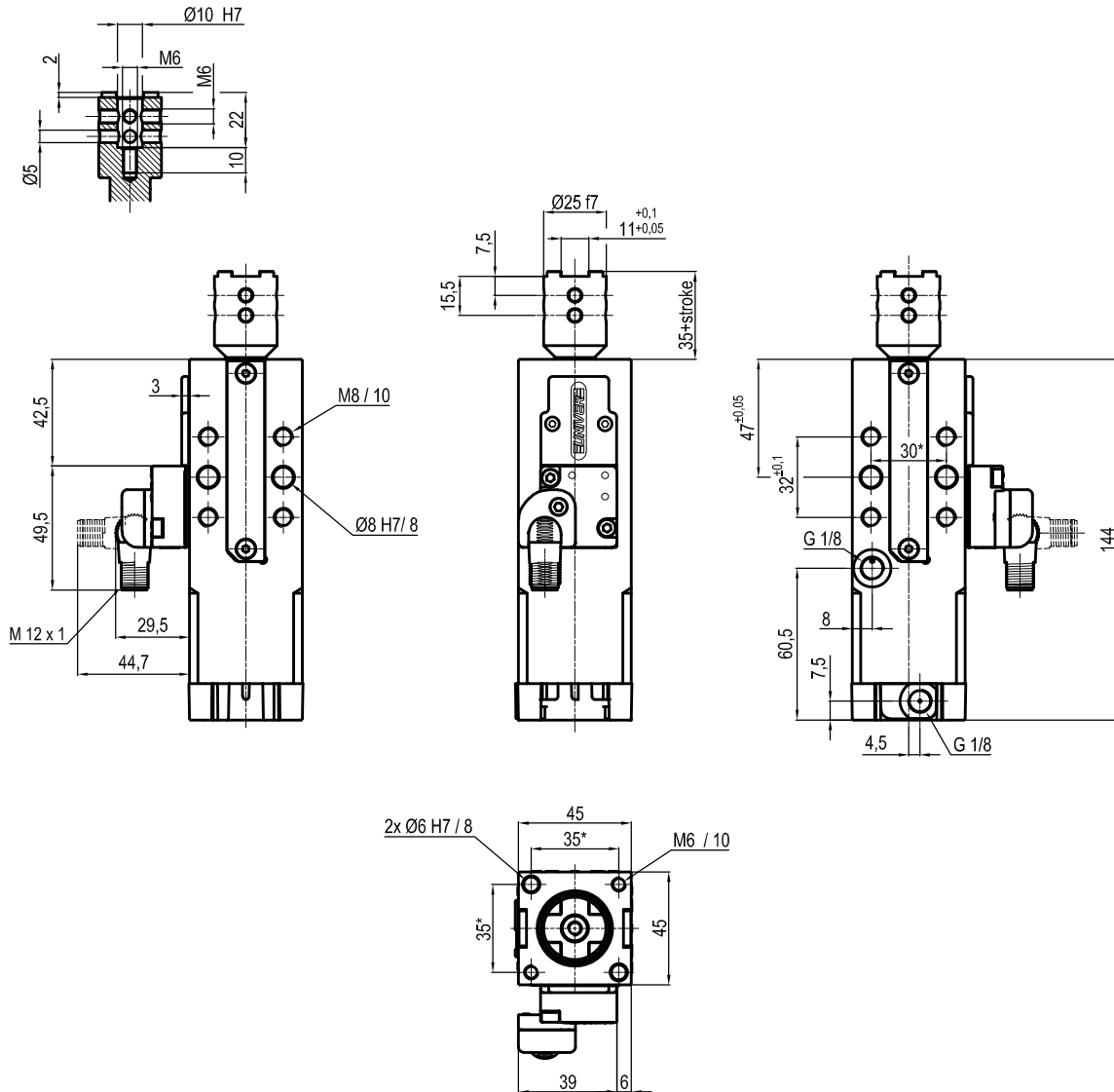
Bore Ø	Max. pull force 0,5 MPa	Max. push force 0,5 MPa	Max. torque 6 Nm	Max. deflection moment 5,5 Nm	Weight
32 mm	296 N	390 N	± 0,06°	± 0,03°	1,7 Kg

Min./Max. operating pressure: **0,4 / 0,6 MPa**  
 Operating temperature: **5°÷ 45° C**  
 Strokes in mm.: **20 - 40**  
 Electronic sensor with M12 swivel connector, from 0° to 90°,  
 in steps of 10°  
 Supply voltage: 10 ÷ 30 Vdc  
 IP code: **IP 65**  
 Pneumatic ports on both sides

\* : TOLERANCE BETWEEN DOWELS ± 0,02, BETWEEN SCREW HOLES ± 0,1

Subject to technical modifications without notice

## ULP32\_\_EXK0



Bore Ø	Max. pull force 0,5 MPa	Max. push force 0,5 MPa	Max. torque 6 Nm	Max. deflection moment 5,5 Nm	Weight
32 mm	296 N	390 N	± 0,06°	± 0,03°	1,7 Kg

\* : TOLERANCE BETWEEN DOWELS ± 0,02, BETWEEN SCREW HOLES ± 0,1

Min./Max. operating pressure: **0,4 / 0,6 MPa**  
 Operating temperature: **5° ÷ 45° C**  
 Strokes in mm.: **20 - 40**  
 Electronic sensor with M12 swivel connector, from 0° to 90°,  
 in steps of 10°  
 Supply voltage: 10 ÷ 30 Vdc  
 IP code: **IP 65**  
 Pneumatic ports on both sides

Subject to technical modifications without notice