

# ULL50

Unità di centraggio UNICLAMP con azionamento manuale, singola asta



U	L	L	5	0	0	4	0	C	X	K	0
1	2	3	4				5	6	7	8	

<b>1</b> Serie	<b>2</b> Versione	<b>3</b> Taglia
----------------	-------------------	-----------------

UL = Unità di centraggio UNICLAMP

L = Con azionamento manuale, singola asta

50 = Ø 50 mm

<b>4</b> Corsa	<b>5</b> Rod end style	<b>6</b> Orientamento asta
----------------	------------------------	----------------------------

040 = 40 mm

- A = Asta per centraggi dislocati
- B = Asta con impronta a chiave
- C = Asta con impronta a chiave a croce, Ø interno 16 mm
- D = Asta per centraggi dislocati con fori spina maggiorati
- E = Asta con impronta chiave a croce, Ø interno 10 mm
- F = Asta con sede fissaggio laterale
- H = Asta con terminale piatto, Ø interno 10 mm
- I = Asta con terminale piatto, Ø interno 12 mm
- L = Asta con foro Ø 12 compatibile con CNOMO LCG
- M = Asta con foro Ø 20 compatibile con CNOMO LCG

X = Simmetrico

E\* = Est



O\* = Ovest



N\* = Nord



S\* = Sud



\*Solo con terminale asta A o D

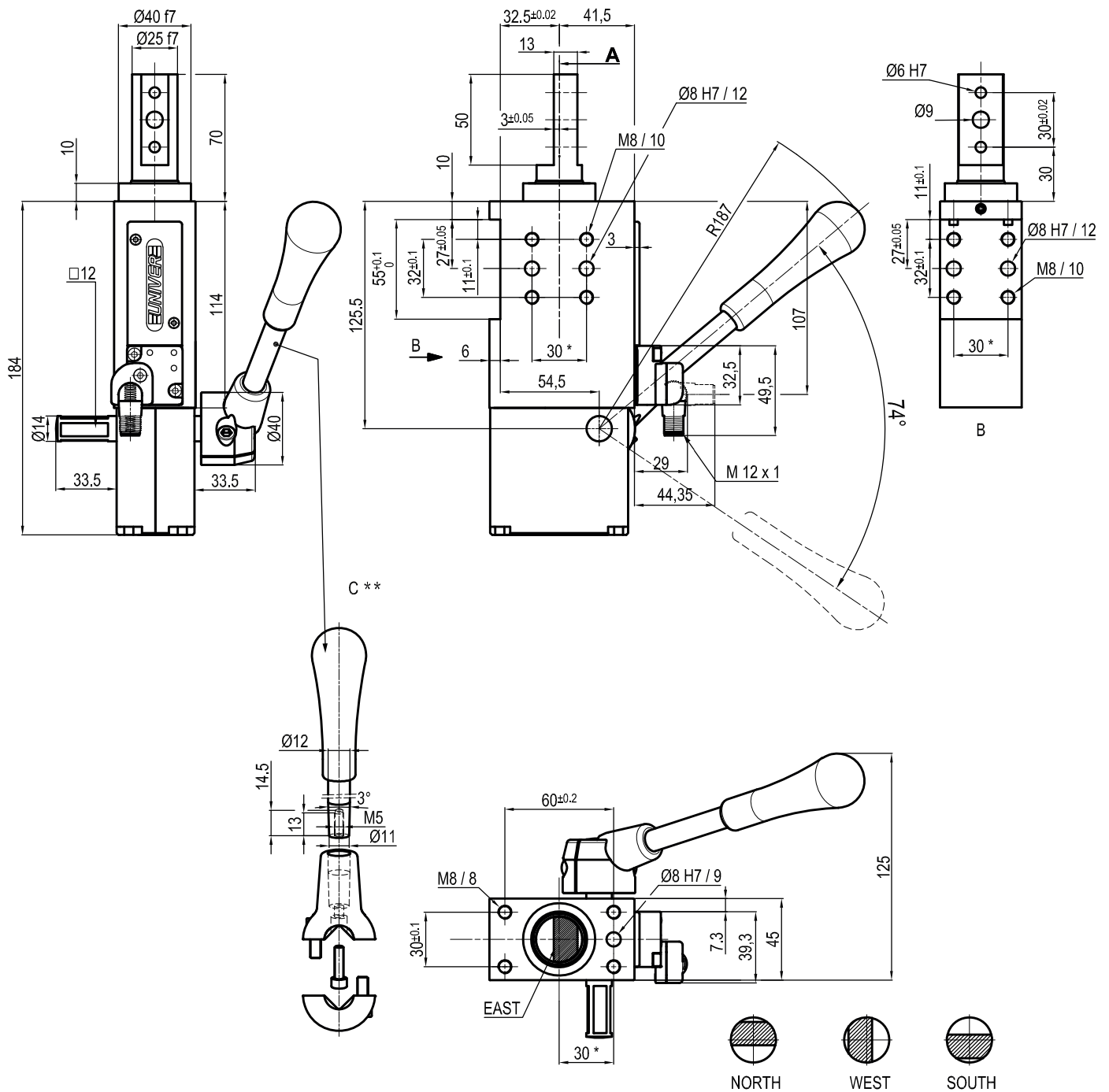
<b>7</b> Sensore	<b>8</b> Revisione prodotto
------------------	-----------------------------

N = Senza sensore (con piastra di chiusura)

K = Sensore elettronico PNP (ottico) (DF-K)

Assegnato da UNIVER

## ULL50040A\_K0



Size	Max. torque 6 Nm	Max. deflection moment 7,5 Nm	Weight
50 mm	$\pm 0,06^\circ$	$\pm 0,03^\circ$	2,5 Kg

\* : TOLERANCE BETWEEN DOWELS  $\pm 0,02$ , BETWEEN SCREW HOLES  $\pm 0,1$   
 \*\*: DIMENSIONS TO BE RESPECTED IN CASE OTHER MANUAL LEVERS ARE USED

Operating temperature:  $5^\circ \pm 45^\circ \text{C}$

Strokes in mm.: **40**

With manual lever

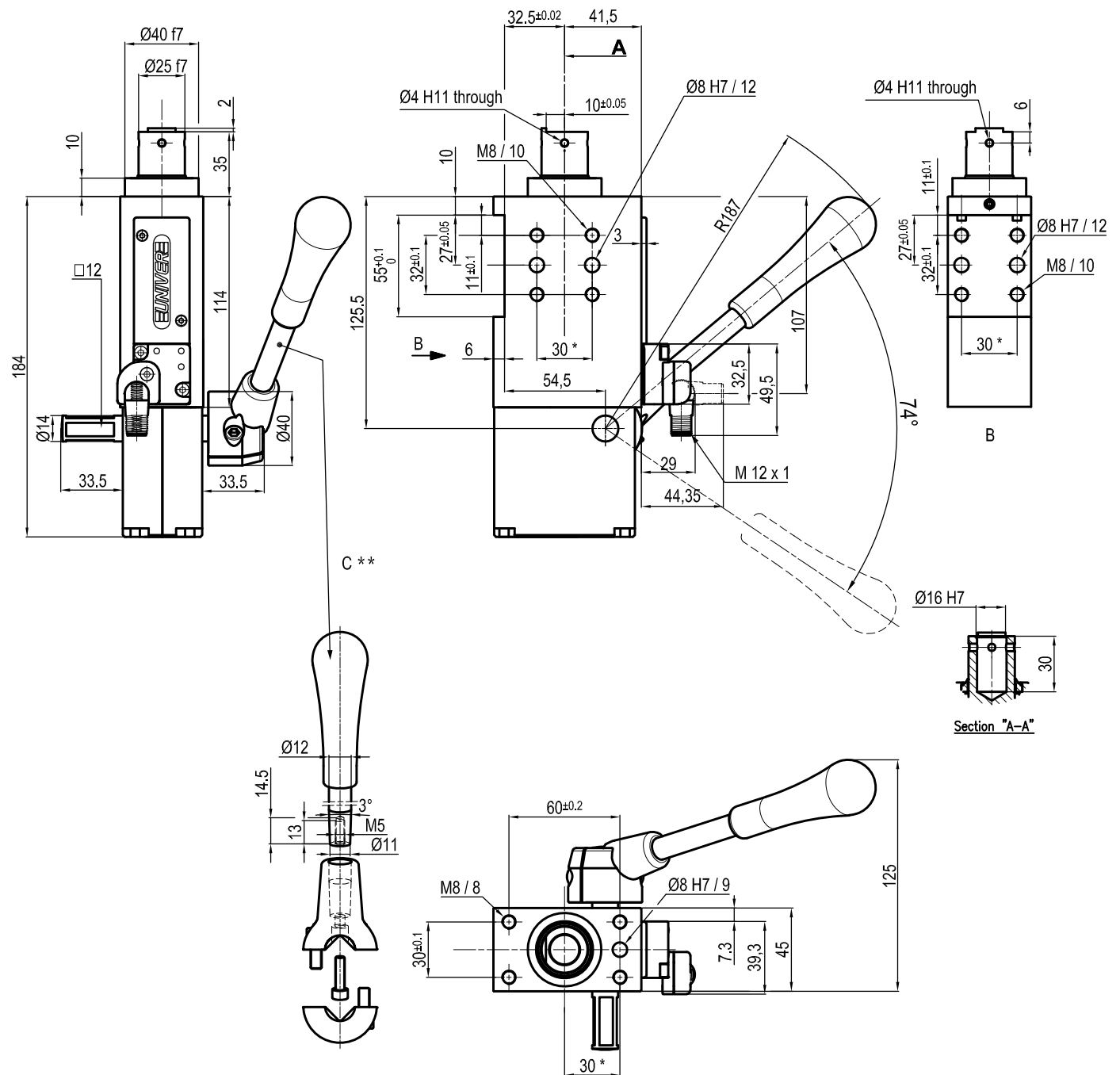
Electronic sensor with M12 swivel connector, from  $0^\circ$  to  $90^\circ$ , in steps of  $10^\circ$

Supply voltage:  $10 \div 30 \text{Vdc}$

IP code: **IP 65**

Subject to technical modifications without notice

## ULL50040BXK0



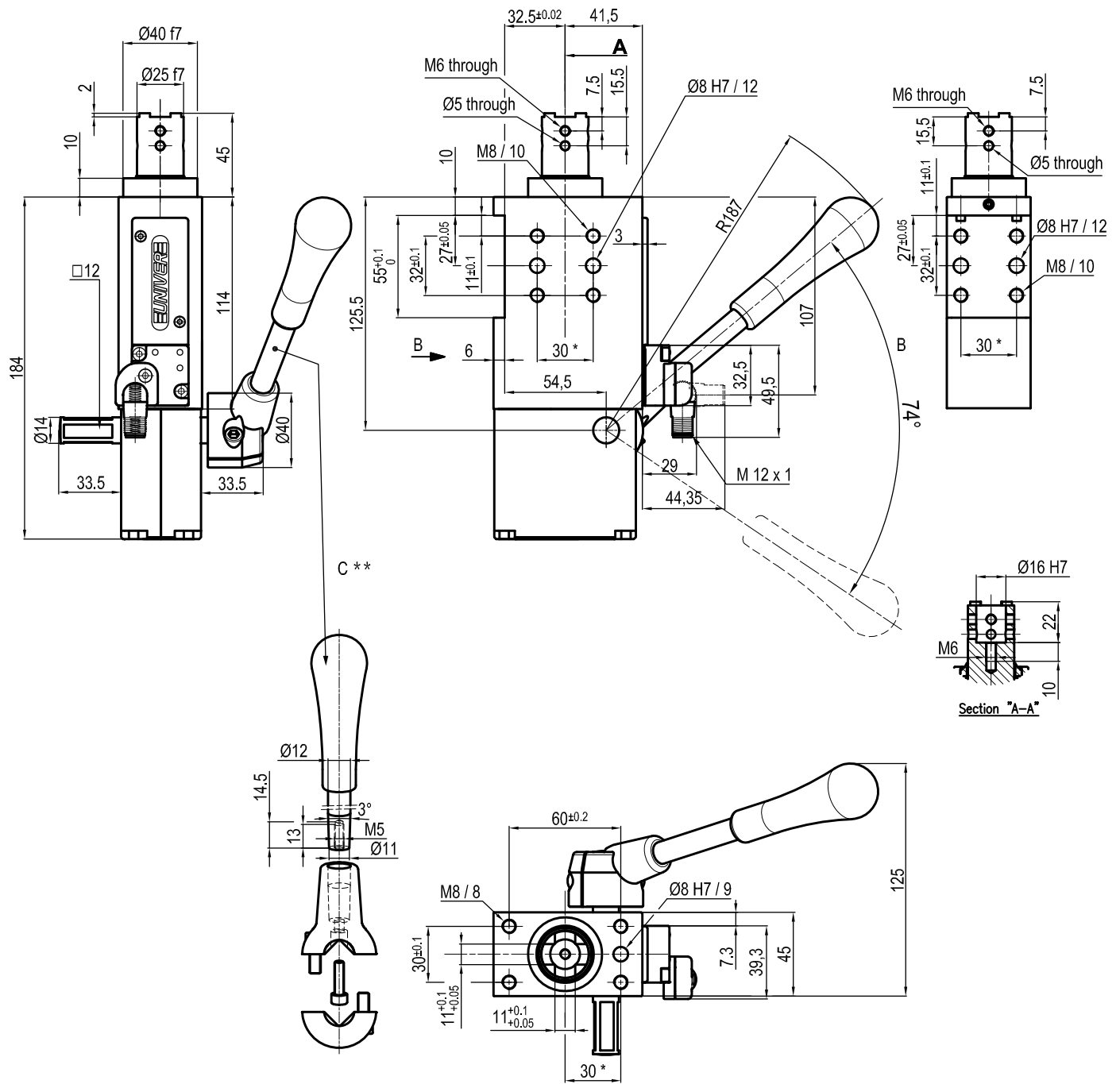
Size	Max. torque 6 Nm	Max. deflection moment 7,5 Nm	Weight
50 mm	± 0,06°	± 0,03°	2,5 Kg

\* : TOLERANCE BETWEEN DOWELS ± 0,02, BETWEEN SCREW HOLES ± 0,1  
 \*\*: DIMENSIONS TO BE RESPECTED IN CASE OTHER MANUAL LEVERS ARE USED

Subject to technical modifications without notice

Operating temperature: 5°± 45° C  
 Strokes in mm.: 40  
 With manual lever  
 Electronic sensor with M12 swivel connector, from 0° to 90°,  
 in steps of 10°  
 Supply voltage: 10 ÷ 30 Vdc  
 IP code: IP 65

## ULL50040CXK0



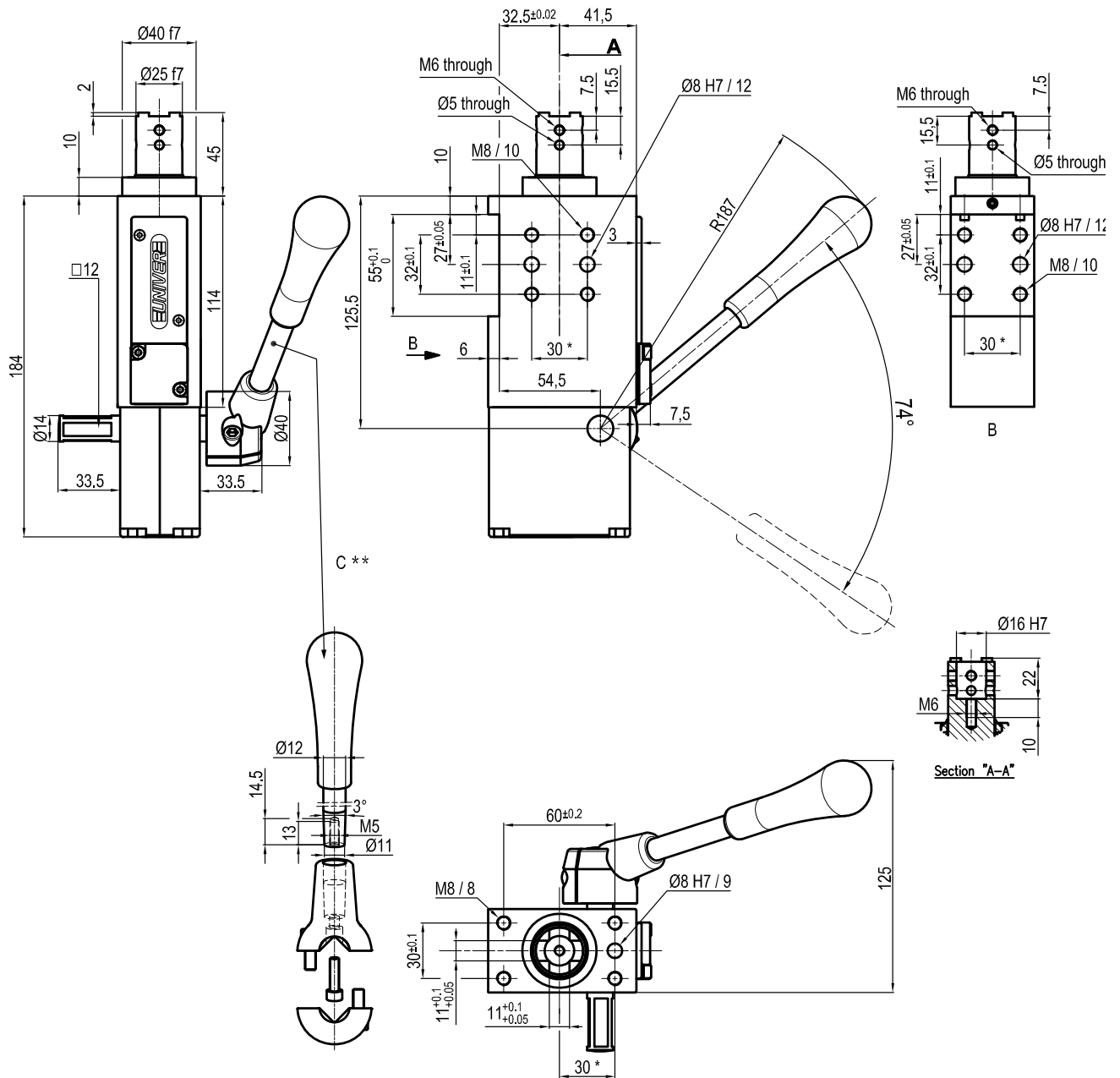
Size	Max. torque 6 Nm	Max. deflection moment 7,5 Nm	Weight
50 mm	$\pm 0,06^\circ$	$\pm 0,03^\circ$	2,5 Kg

\* : TOLERANCE BETWEEN DOWELS  $\pm 0,02$ , BETWEEN SCREW HOLES  $\pm 0,1$   
 \*\*: DIMENSIONS TO BE RESPECTED IN CASE OTHER MANUAL LEVERS ARE USED

Subject to technical modifications without notice

Operating temperature:  $5^\circ \div 45^\circ \text{C}$   
 Strokes in mm.: **40**  
 With manual lever  
 Electronic sensor with M12 swivel connector, from  $0^\circ$  to  $90^\circ$ ,  
 in steps of  $10^\circ$   
 Supply voltage:  $10 \div 30 \text{Vdc}$   
 IP code: **IP 65**

## ULL50040CXN0



Size	Max. torque 6 Nm	Max. deflection moment 7,5 Nm	Weight
50 mm	± 0,06°	± 0,03°	2,5 Kg

\* : TOLERANCE BETWEEN DOWELS ± 0,02, BETWEEN SCREW HOLES ± 0,1  
 \*\*: DIMENSIONS TO BE RESPECTED IN CASE OTHER MANUAL LEVERS ARE USED

Subject to technical modifications without notice

Operating temperature: 5°± 45° C

Strokes in mm: 40

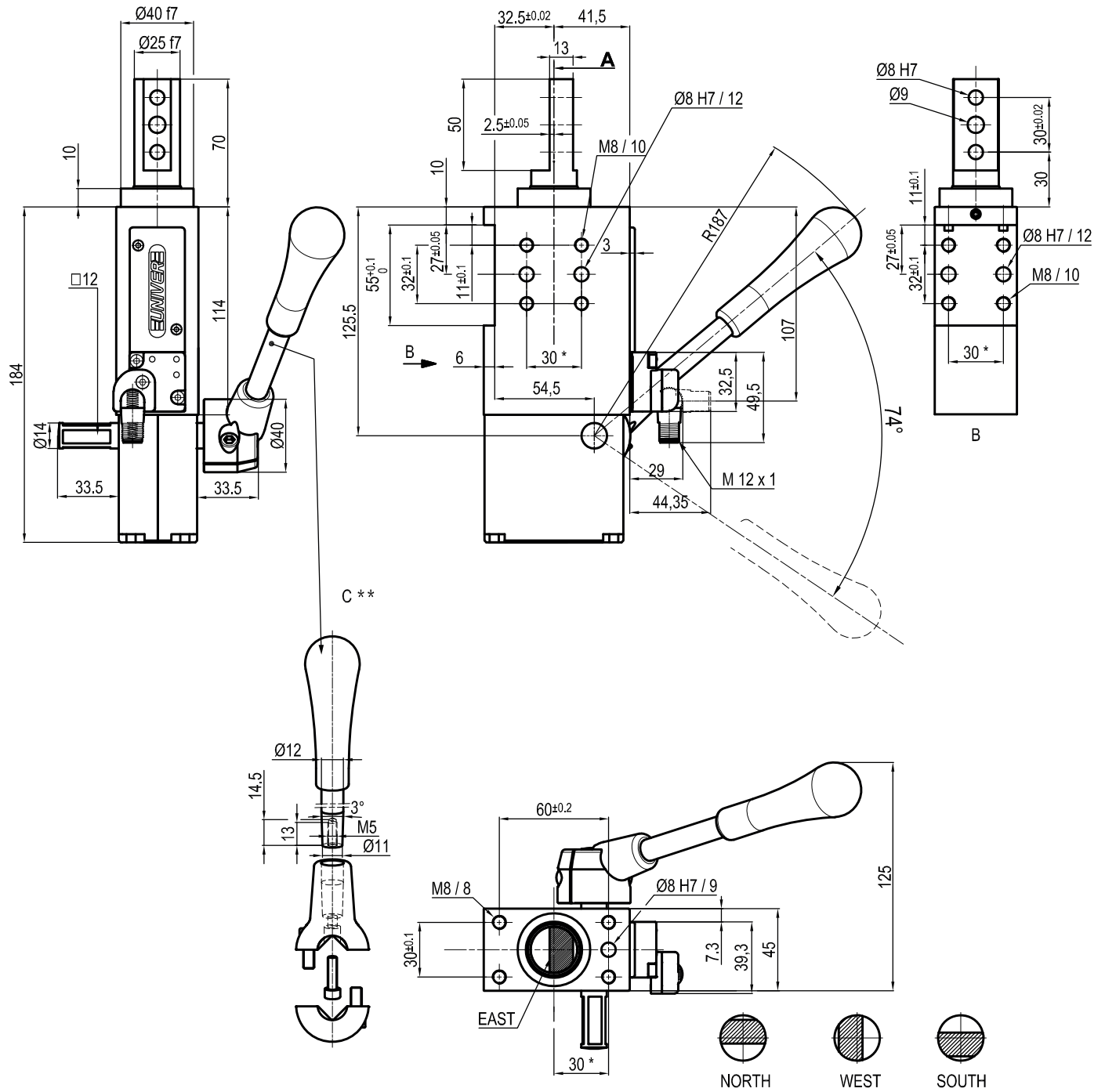
With manual lever

Electronic sensor with M12 swivel connector, from 0° to 90°, in steps of 10°

Supply voltage: 10 ÷ 30 Vdc

IP code: IP 65

## ULL50040D\_K0



Size	Max. torque 6 Nm	Max. deflection moment 7,5 Nm	Weight
50 mm	± 0,06°	± 0,03°	2,5 Kg

\* : TOLERANCE BETWEEN DOWELS ± 0,02, BETWEEN SCREW HOLES ± 0,1  
 \*\* : DIMENSIONS TO BE RESPECTED IN CASE OTHER MANUAL LEVERS ARE USED

Subject to technical modifications without notice

Operating temperature: 5°± 45° C

Strokes in mm.: 40

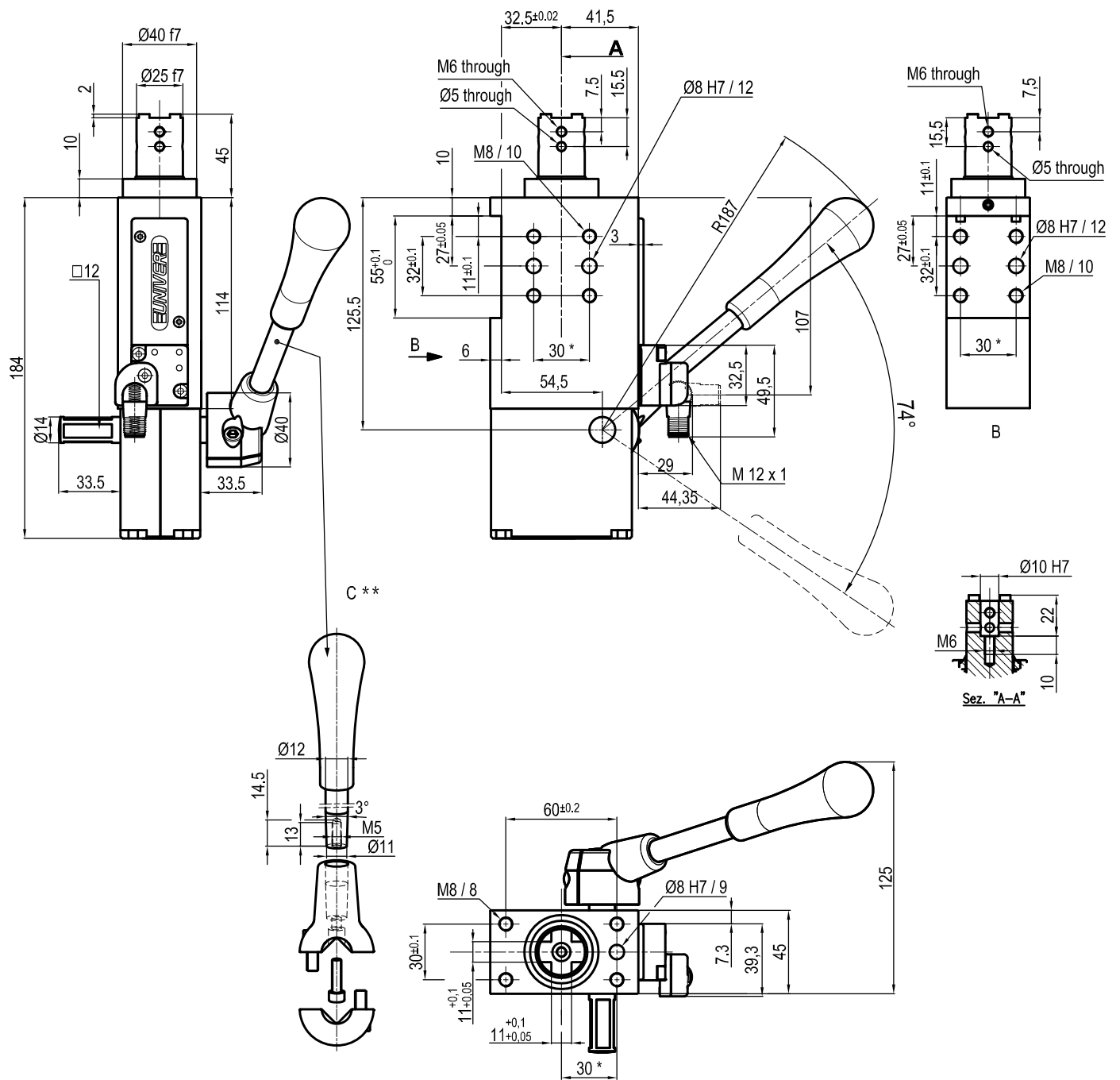
With manual lever

Electronic sensor with M12 swivel connector, from 0° to 90°, in steps of 10°

Supply voltage: 10 ÷ 30 Vdc

IP code: IP 65

## ULL50040EXK0



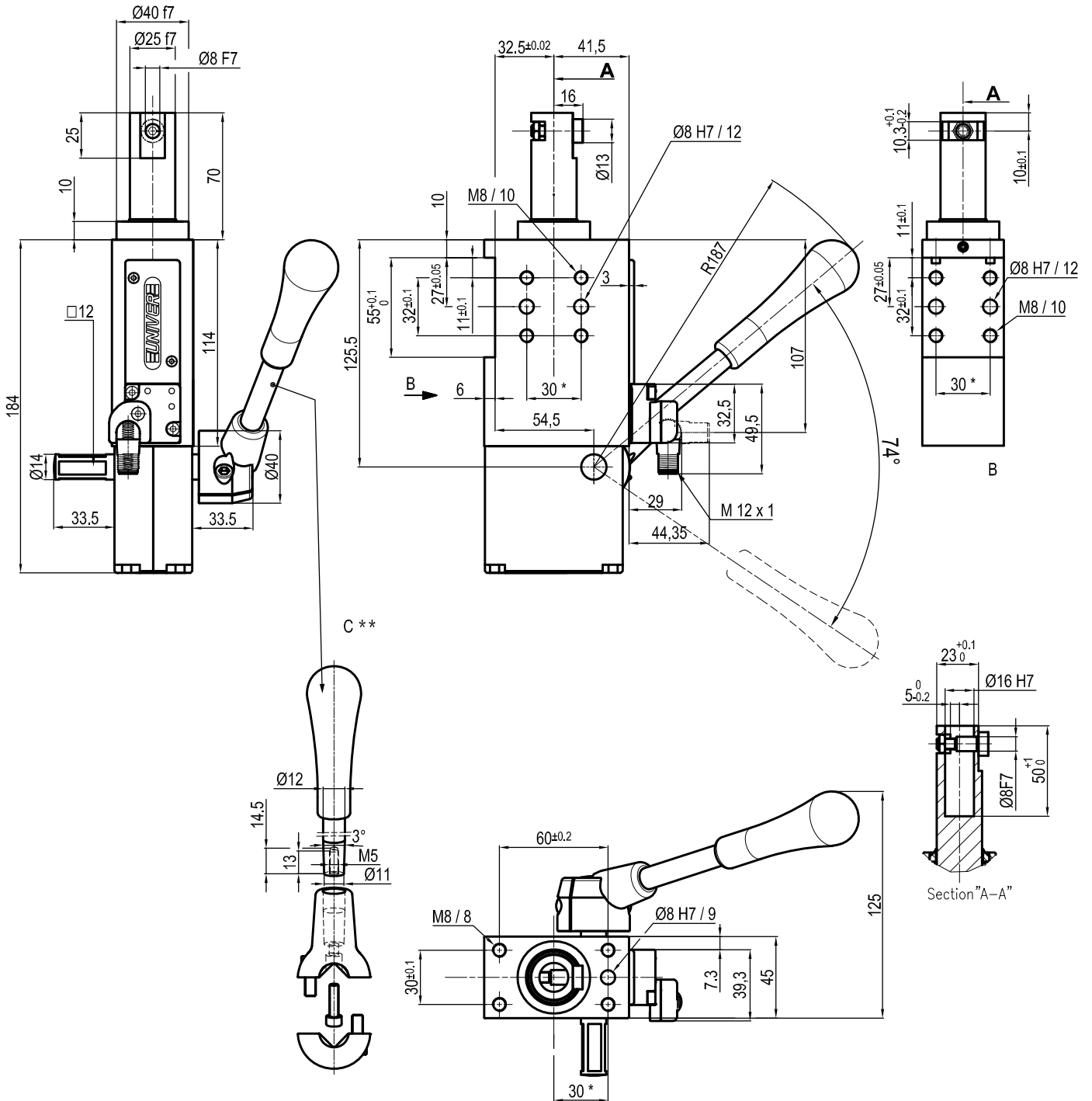
Size	Max. torque 6 Nm	Max. deflection moment 7,5 Nm	Weight
50 mm	± 0,06°	± 0,03°	2,5 Kg

\* : TOLERANCE BETWEEN DOWELS ± 0,02, BETWEEN SCREW HOLES ± 0,1  
 \*\*: DIMENSIONS TO BE RESPECTED IN CASE OTHER MANUAL LEVERS ARE USED

Subject to technical modifications without notice

Operating temperature: 5°± 45° C  
 Strokes in mm.: 40  
 With manual lever  
 Electronic sensor with M12 swivel connector, from 0° to 90°,  
 in steps of 10°  
 Supply voltage: 10 ÷ 30 Vdc  
 IP code: IP 65

## ULL50040FXK0



Size	Max. torque 6 Nm	Max. deflection moment 7,5 Nm	Weight
50 mm	± 0,06°	± 0,03°	2,5 Kg

\* : TOLERANCE BETWEEN DOWELS ± 0,02, BETWEEN SCREW HOLES ± 0,1  
 \*\* : DIMENSIONS TO BE RESPECTED IN CASE OTHER MANUAL LEVERS ARE USED

Subject to technical modifications without notice

Operating temperature: 5°± 45° C

Strokes in mm.: 40

With manual lever

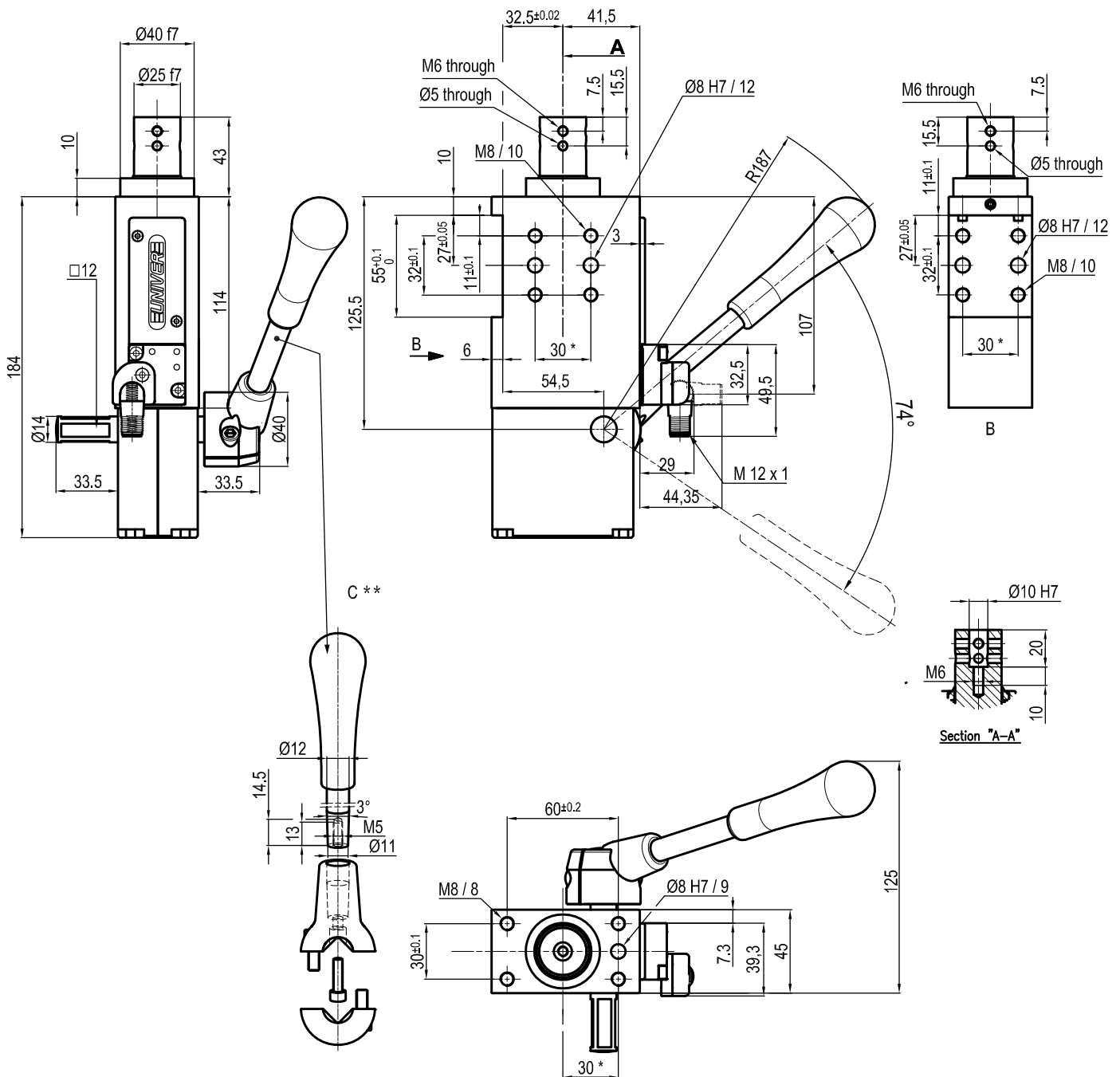
Electronic sensor with M12 swivel connector, from 0° to 90°, in steps of 10°

Supply voltage: 10 ÷ 30 Vdc

IP code: IP 65



## ULL50040HXK0



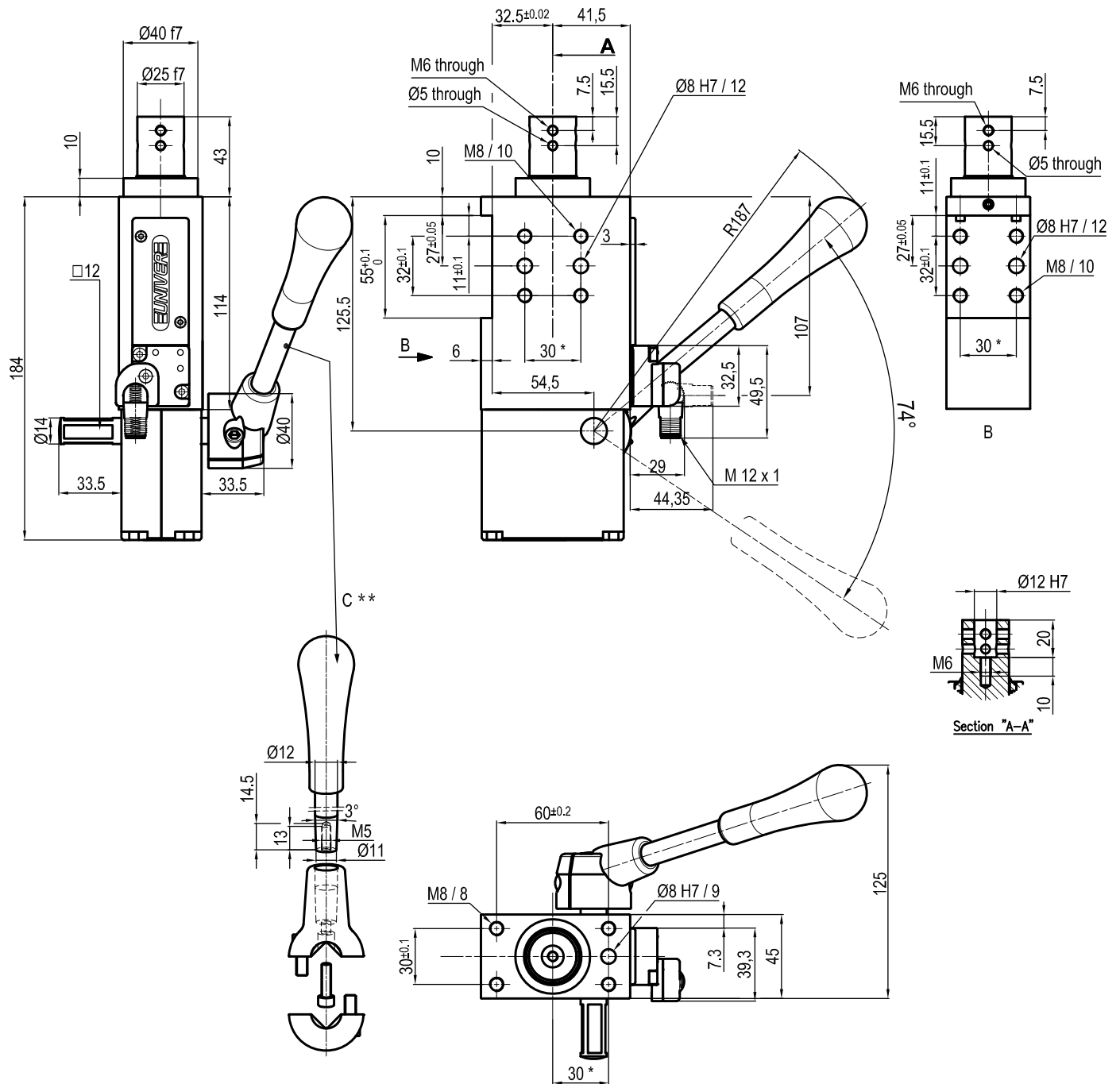
Size	Max. torque 6 Nm	Max. deflection moment 7,5 Nm	Weight
50 mm	± 0,06°	± 0,03°	2,5 Kg

\* : TOLERANCE BETWEEN DOWELS ± 0,02, BETWEEN SCREW HOLES ± 0,1  
 \*\*: DIMENSIONS TO BE RESPECTED IN CASE OTHER MANUAL LEVERS ARE USED

Subject to technical modifications without notice

Operating temperature: 5°÷ 45° C  
 Strokes in mm: 40  
 With manual lever  
 Electronic sensor with M12 swivel connector, from 0° to 90°,  
 in steps of 10°  
 Supply voltage: 10 ÷ 30 Vdc  
 IP code: IP 65

## ULL50040IXK0



Size	Max. torque 6 Nm	Max. deflection moment 7,5 Nm	Weight
50 mm	± 0,06°	± 0,03°	2,5 Kg

\* : TOLERANCE BETWEEN DOWELS ± 0,02, BETWEEN SCREW HOLES ± 0,1  
 \*\*: DIMENSIONS TO BE RESPECTED IN CASE OTHER MANUAL LEVERS ARE USED

Subject to technical modifications without notice

Operating temperature: 5°± 45° C

Strokes in mm.: 40

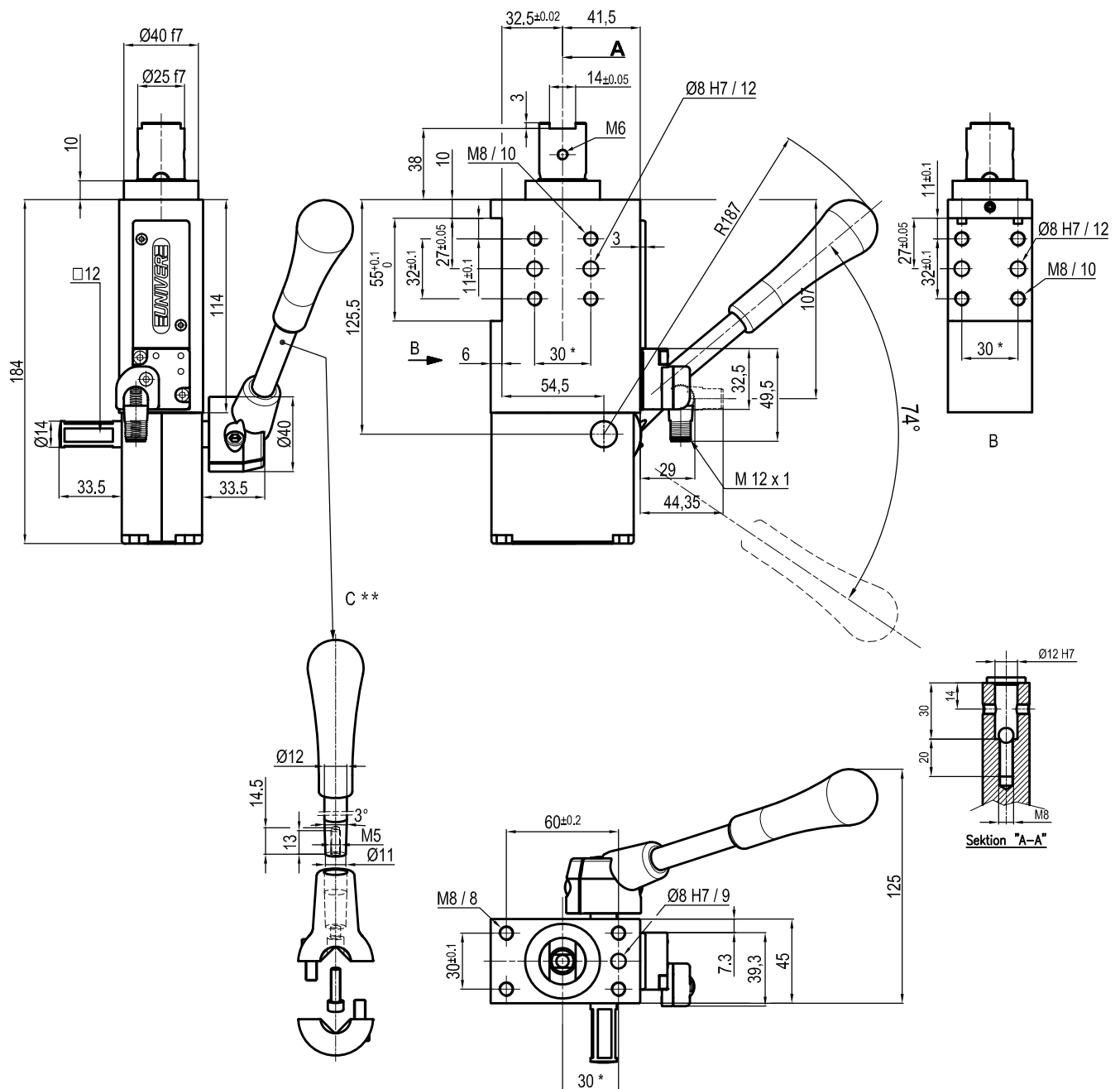
With manual lever

Electronic sensor with M12 swivel connector, from 0° to 90°, in steps of 10°

Supply voltage: 10 ÷ 30 Vdc

IP code: IP 65

## ULL50040LXK0



Size	Max. torque 6 Nm	Max. deflection moment 7,5 Nm	Weight
50 mm	± 0,06°	± 0,03°	2,5 Kg

\* : TOLERANCE BETWEEN DOWELS ± 0,02, BETWEEN SCREW HOLES ± 0,1  
 \*\*: DIMENSIONS TO BE RESPECTED IN CASE OTHER MANUAL LEVERS ARE USED

Subject to technical modifications without notice

Operating temperature: 5°± 45° C

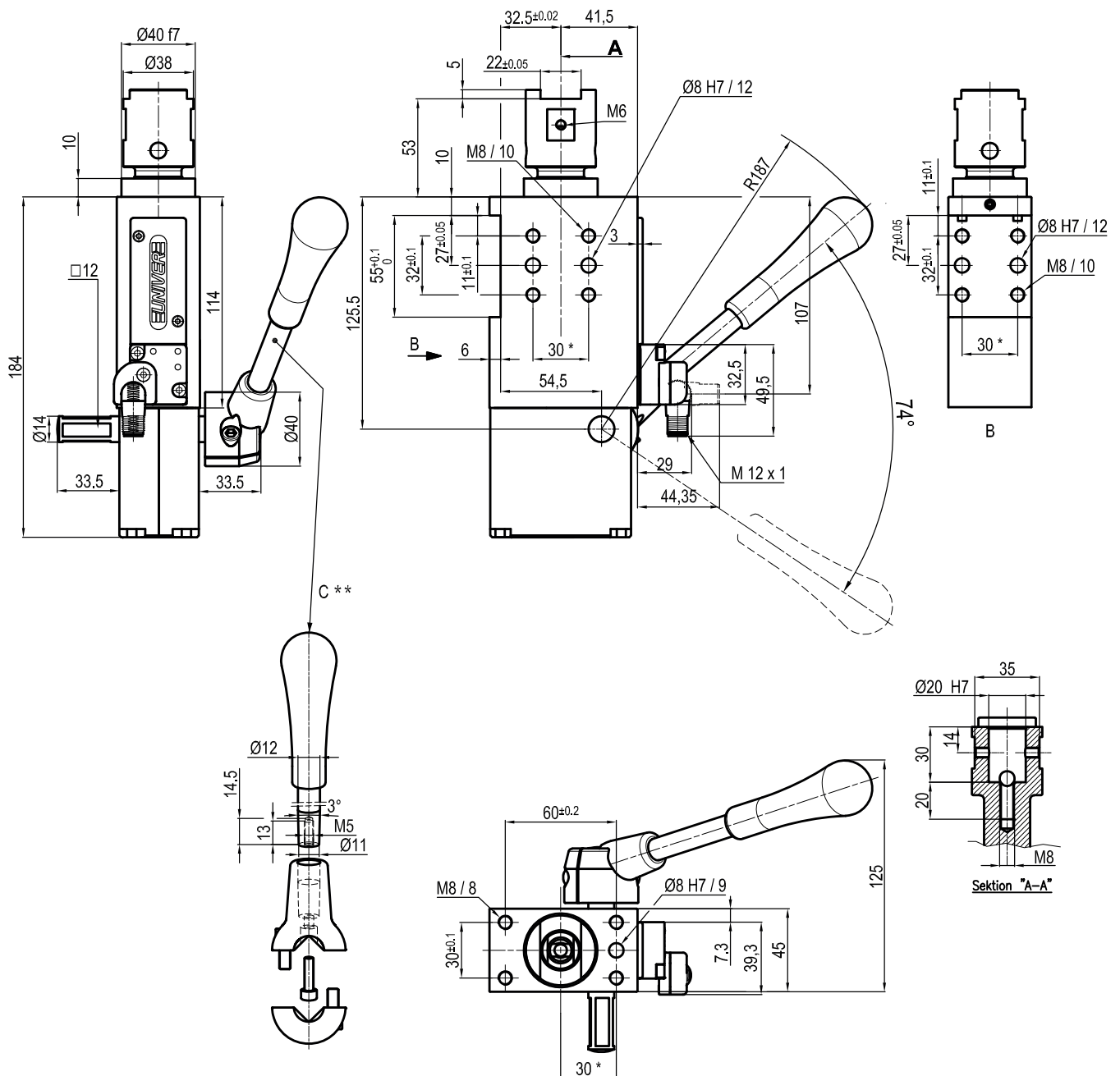
Strokes in mm: 40

With manual lever

Electronic sensor with M12 swivel connector, from 0° to 90°, in steps of 10°

Supply voltage: 10 ÷ 30 Vdc

IP code: IP 65

**ULL50040MXK0**


Size	Max. torque 6 Nm	Max. deflection moment 7,5 Nm	Weight
50 mm	± 0,06°	± 0,03°	2,5 Kg

\* : TOLERANCE BETWEEN DOWELS ± 0,02, BETWEEN SCREW HOLES ± 0,1  
 \*\*: DIMENSIONS TO BE RESPECTED IN CASE OTHER MANUAL LEVERS ARE USED

Subject to technical modifications without notice

Operating temperature: 5°± 45° C

Strokes in mm: 40

With manual lever

Electronic sensor with M12 swivel connector, from 0° to 90°, in steps of 10°

Supply voltage: 10 ÷ 30 Vdc

IP code: IP 65