

ULB32

Unità di centraggio pneumatica UNICLAMP, sensore posteriore, fissaggi standard UNIVER, singola asta, doppia guida



| | | | | | | | | | | |
|----------|----------|----------|----------|----------|----------|----------|----------|----------|----------|----------|
| U | L | B | 3 | 2 | 0 | 4 | 0 | C | K | 0 |
| 1 | 2 | 3 | 4 | | 5 | 6 | 7 | | | |

| | | |
|----------------|-------------------|-----------------|
| 1 Serie | 2 Versione | 3 Taglia |
|----------------|-------------------|-----------------|

UL = Unità di centraggio

B = Pneumatica, sensore posteriore, fissaggi standard UNIVER, singola asta, doppia guida

32 = Ø 32 mm

| | | |
|----------------|-------------------------|------------------|
| 4 Corsa | 5 Terminale asta | 6 Sensore |
|----------------|-------------------------|------------------|

020 = 20 mm
040 = 40 mm

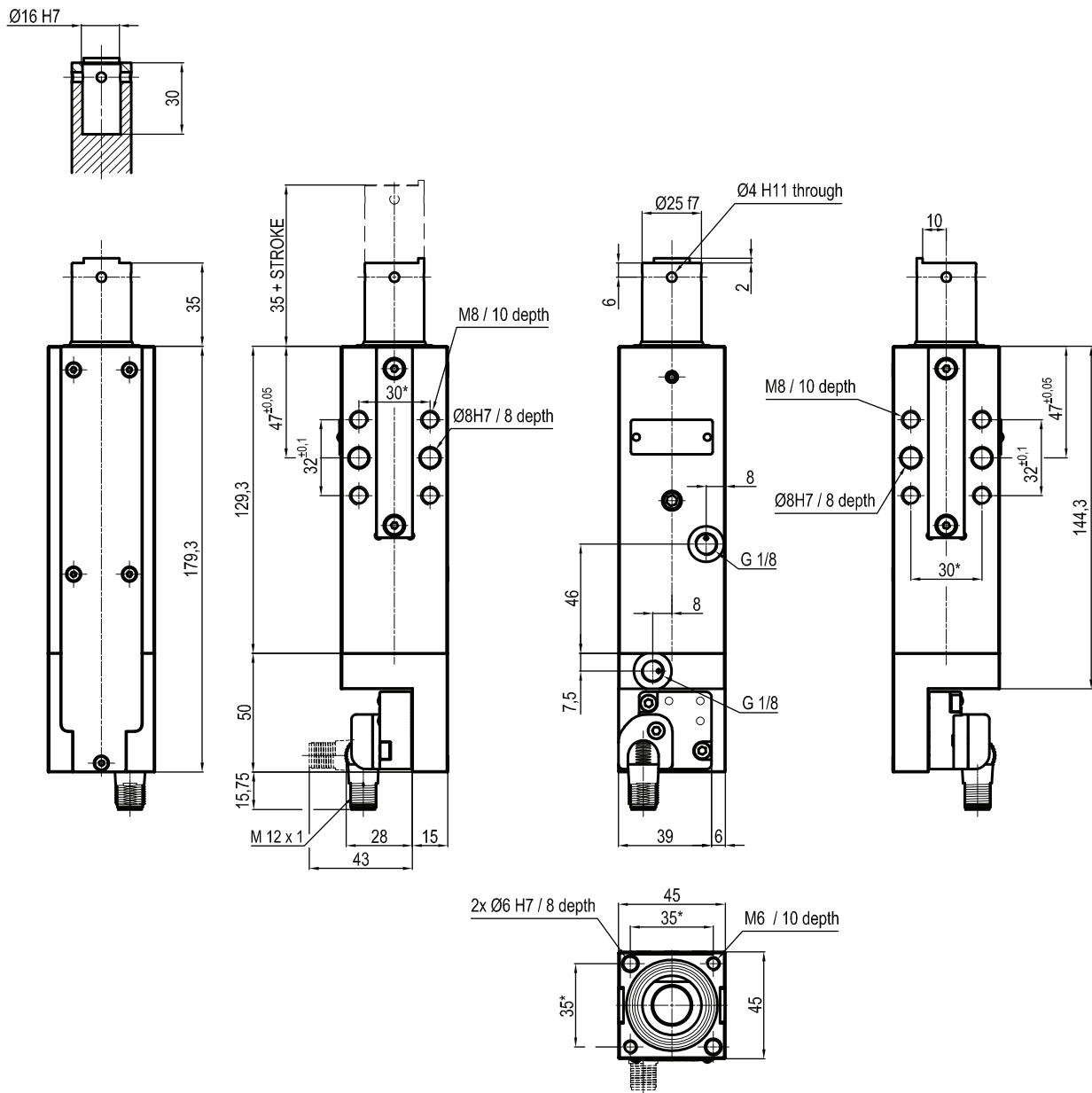
B = Asta con impronta a chiavetta
C = Asta con impronta a chiavetta a croce, Ø interno 16 mm
E = Asta con impronta chiavetta a croce, Ø interno 10 mm

N = Senza sensore (con piastra di chiusura)
K = Sensore elettronico PNP (ottico) (DF-K)

| |
|-----------------------------|
| 7 Revisione prodotto |
|-----------------------------|

Assegnato da UNIVER

ULB32__BK0



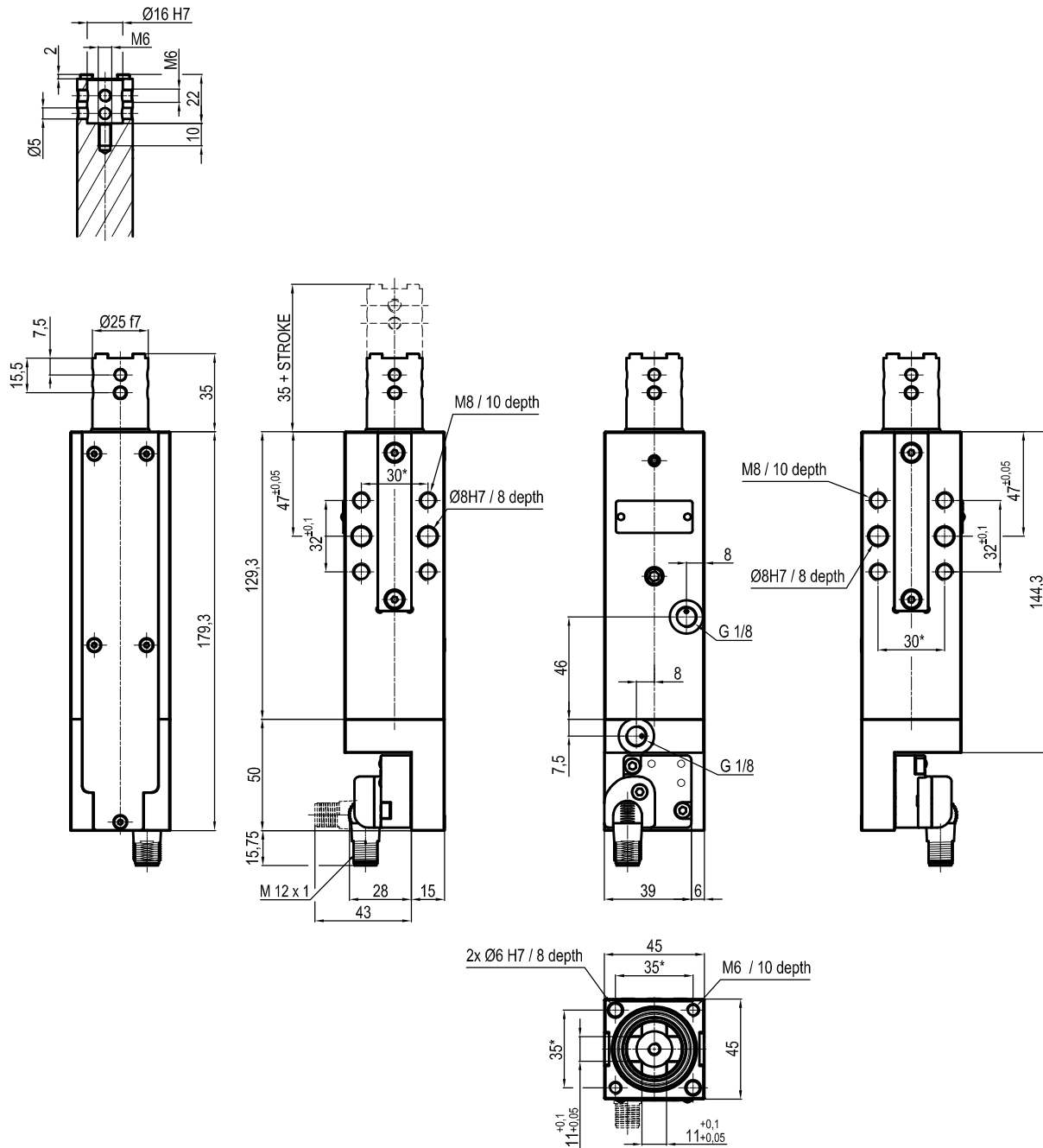
| Bore Ø | Max. pull force 0,5 MPa | Max. push force 0,5 MPa | Max. torque 6 Nm | Max. deflection moment 5,5 Nm | Weight |
|--------|----------------------------|----------------------------|---------------------|----------------------------------|--------|
| 32 mm | 300 N | 390 N | ± 0,06° | ± 0,03° | 1,0 Kg |

Min./Max. operating pressure: **0,4 / 0,6 MPa**
 Operating temperature: **5°± 45° C**
 Strokes in mm.: **20-40**
 Electronic sensor with M12 swivel connector, from 0° to 90°,
 in steps of 10°
 Supply voltage: 10 ÷ 30 Vdc
 IP code: **IP 65**

* : TOLERANCE BETWEEN DOWELS ± 0,02, BETWEEN SCREW HOLES ± 0,1

Subject to technical modifications without notice

ULB32__CK0



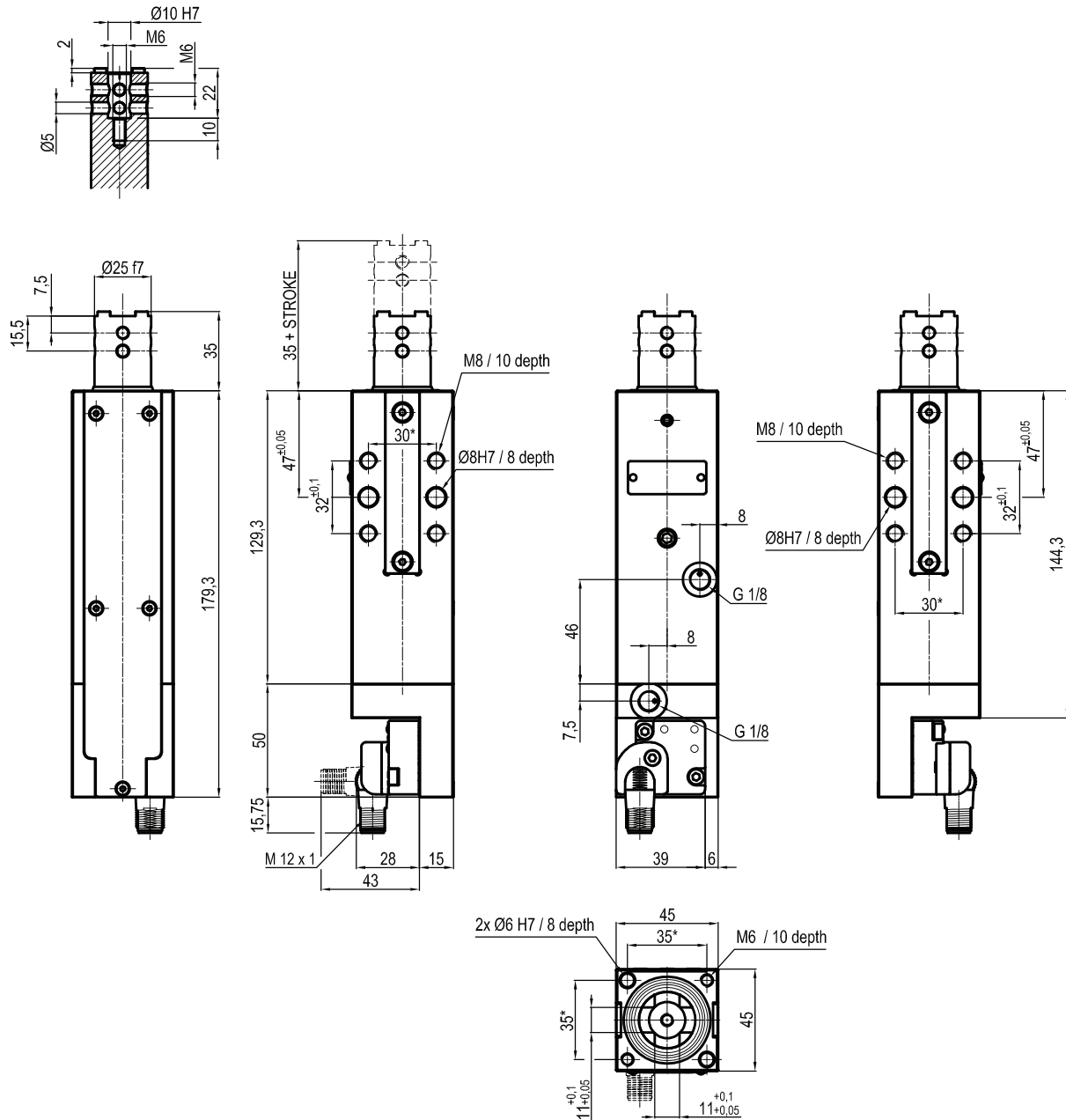
| Bore Ø | Max. pull force 0,5 MPa | Max. push force 0,5 MPa | Max. torque 6 Nm | Max. deflection moment 5,5 Nm | Weight |
|--------|----------------------------|----------------------------|---------------------|----------------------------------|--------|
| 32 mm | 300 N | 390 N | ± 0,06° | ± 0,03° | 1,0 Kg |

Min./Max. operating pressure: **0,4 / 0,6 MPa**
 Operating temperature: **5°± 45° C**
 Strokes in mm.: **20-40**
 Electronic sensor with M12 swivel connector, from 0° to 90°,
 in steps of 10°
 Supply voltage: 10 ÷ 30 Vdc
 IP code: **IP 65**

* : TOLERANCE BETWEEN DOWELS ± 0,02, BETWEEN SCREW HOLES ± 0,1

Subject to technical modifications without notice

ULB32__EKO



| Bore Ø | Max. pull force 0,5 MPa | Max. push force 0,5 MPa | Max. torque 6 Nm | Max. deflection moment 5,5 Nm | Weight |
|--------|----------------------------|----------------------------|---------------------|----------------------------------|--------|
| 32 mm | 300 N | 390 N | ± 0,06° | ± 0,03° | 1,0 Kg |

 Min./Max. operating pressure: **0,4 / 0,6 MPa**

 Operating temperature: **5°± 45° C**

 Strokes in mm.: **20-40**

Electronic sensor with M12 swivel connector, from 0° to 90°, in steps of 10°

Supply voltage: 10 ÷ 30 Vdc

 IP code: **IP 65**

* : TOLERANCE BETWEEN DOWELS ± 0,02, BETWEEN SCREW HOLES ± 0,1

Subject to technical modifications without notice