

ULB32

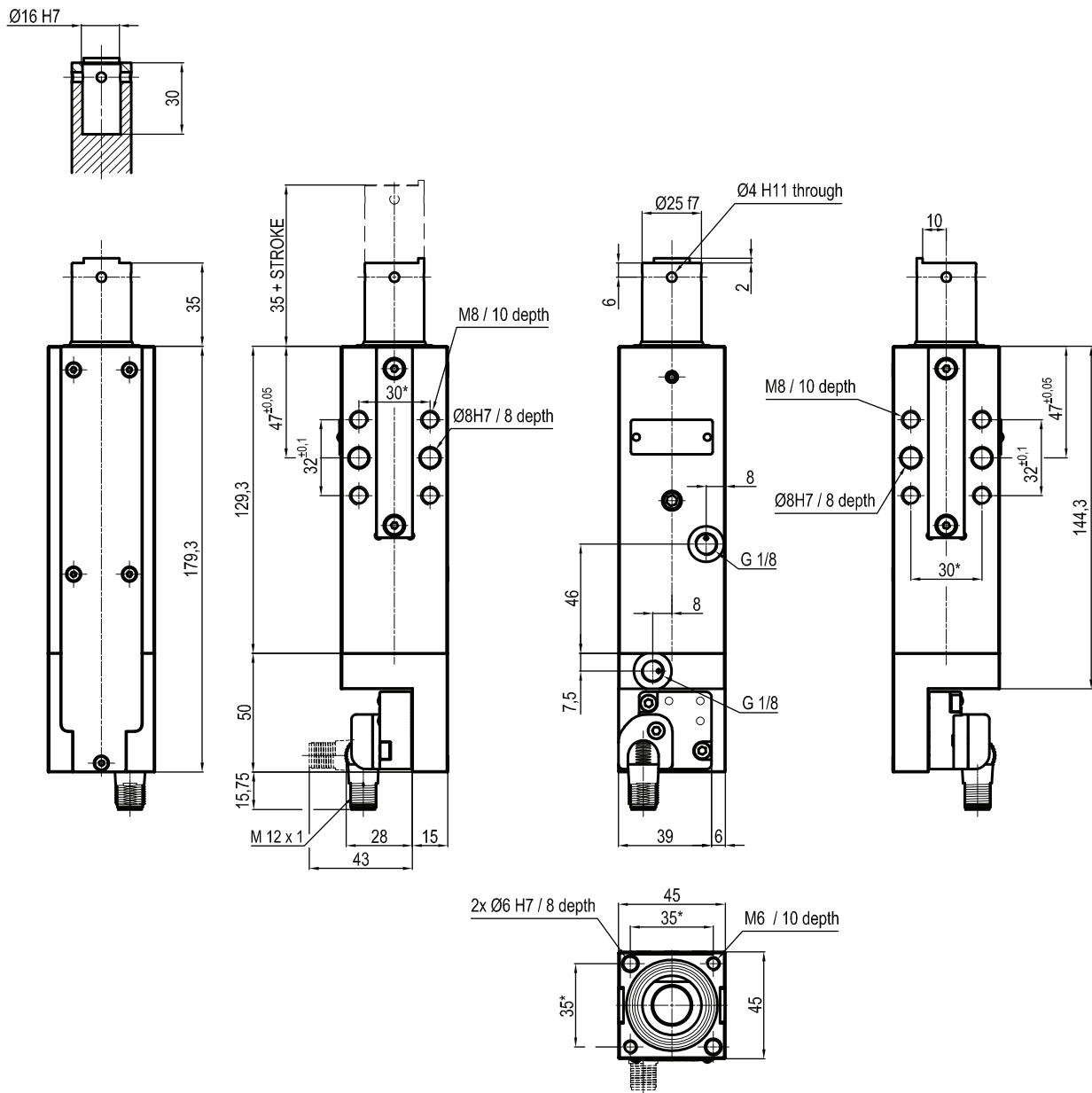
UNICLAMP Pneumatic retractable locating pin unit, with rear sensor and UNIVER standard fixing, single rod, double guide



U	L	B	3	2	0	4	0	C	K	0
1	2	3	4		5	6	7			

1 Series UL = Locating pin unit	2 Version B = Pneumatic, rear sensor and UNIVER standard fixing, single rod, double guide	3 Size 32 = Ø 32 mm
4 Strokes 020 = 20 mm 040 = 40 mm	5 Rod end style B = Rod with profiled end C = Rod with cross profiled end inner Ø16 mm E = Rod with cross-profiled end inner Ø10mm	6 Sensor N = No Sensor (with protection plate) K = Electronic sensor PNP (optic) (DF-K)
7 Product revision Assigned by UNIVER		

ULB32__BK0



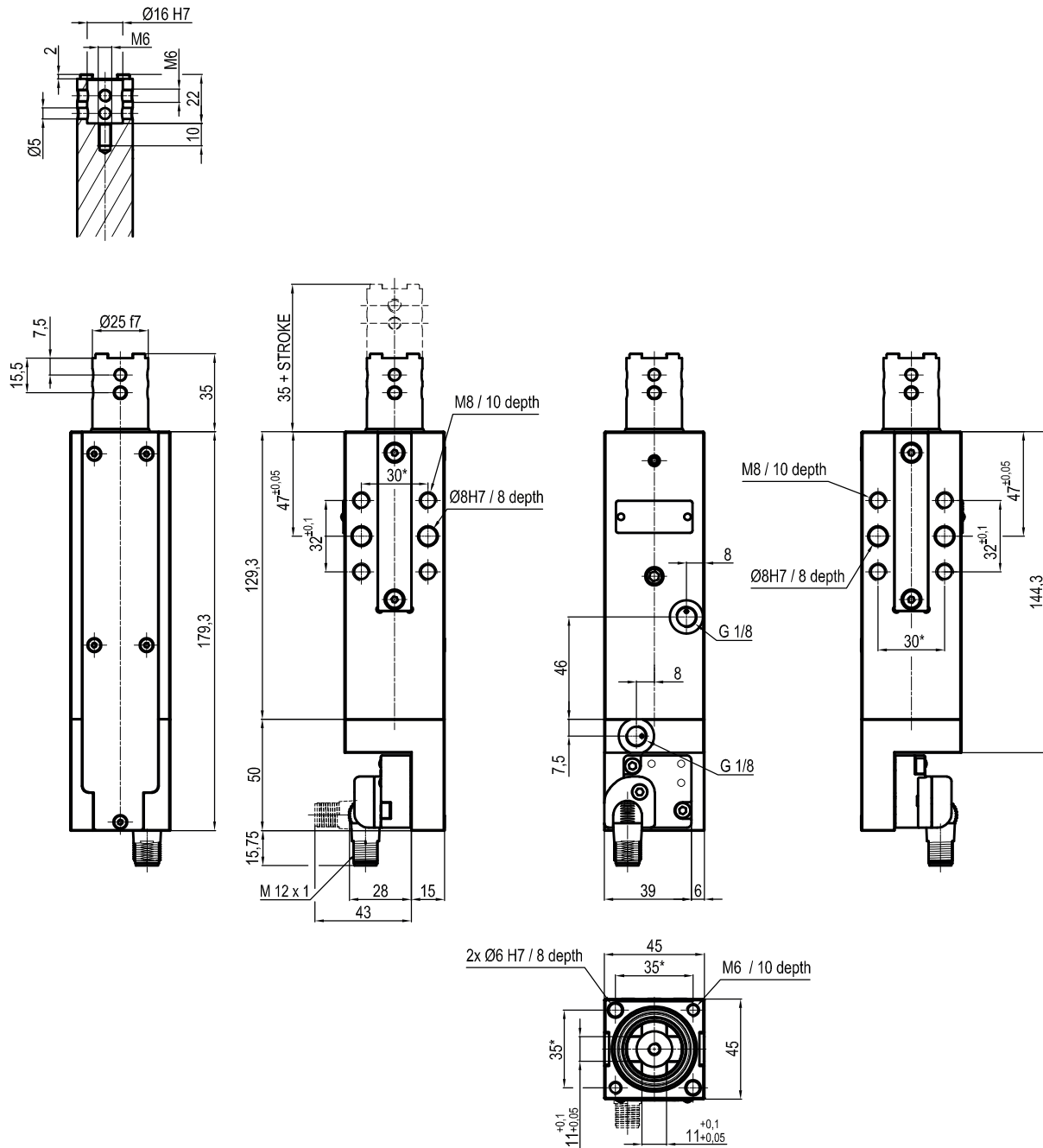
Bore Ø	Max. pull force 0,5 MPa	Max. push force 0,5 MPa	Max. torque 6 Nm	Max. deflection moment 5,5 Nm	Weight
32 mm	300 N	390 N	± 0,06°	± 0,03°	1,0 Kg

Min./Max. operating pressure: **0,4 / 0,6 MPa**
 Operating temperature: **5°± 45° C**
 Strokes in mm.: **20-40**
 Electronic sensor with M12 swivel connector, from 0° to 90°,
 in steps of 10°
 Supply voltage: 10 ÷ 30 Vdc
 IP code: **IP 65**

* : TOLERANCE BETWEEN DOWELS ± 0,02, BETWEEN SCREW HOLES ± 0,1

Subject to technical modifications without notice

ULB32__CK0



Bore Ø	Max. pull force 0,5 MPa	Max. push force 0,5 MPa	Max. torque 6 Nm	Max. deflection moment 5,5 Nm	Weight
32 mm	300 N	390 N	± 0,06°	± 0,03°	1,0 Kg

 Min./Max. operating pressure: **0,4 / 0,6 MPa**

 Operating temperature: **5°± 45° C**

 Strokes in mm.: **20-40**

Electronic sensor with M12 swivel connector, from 0° to 90°, in steps of 10°

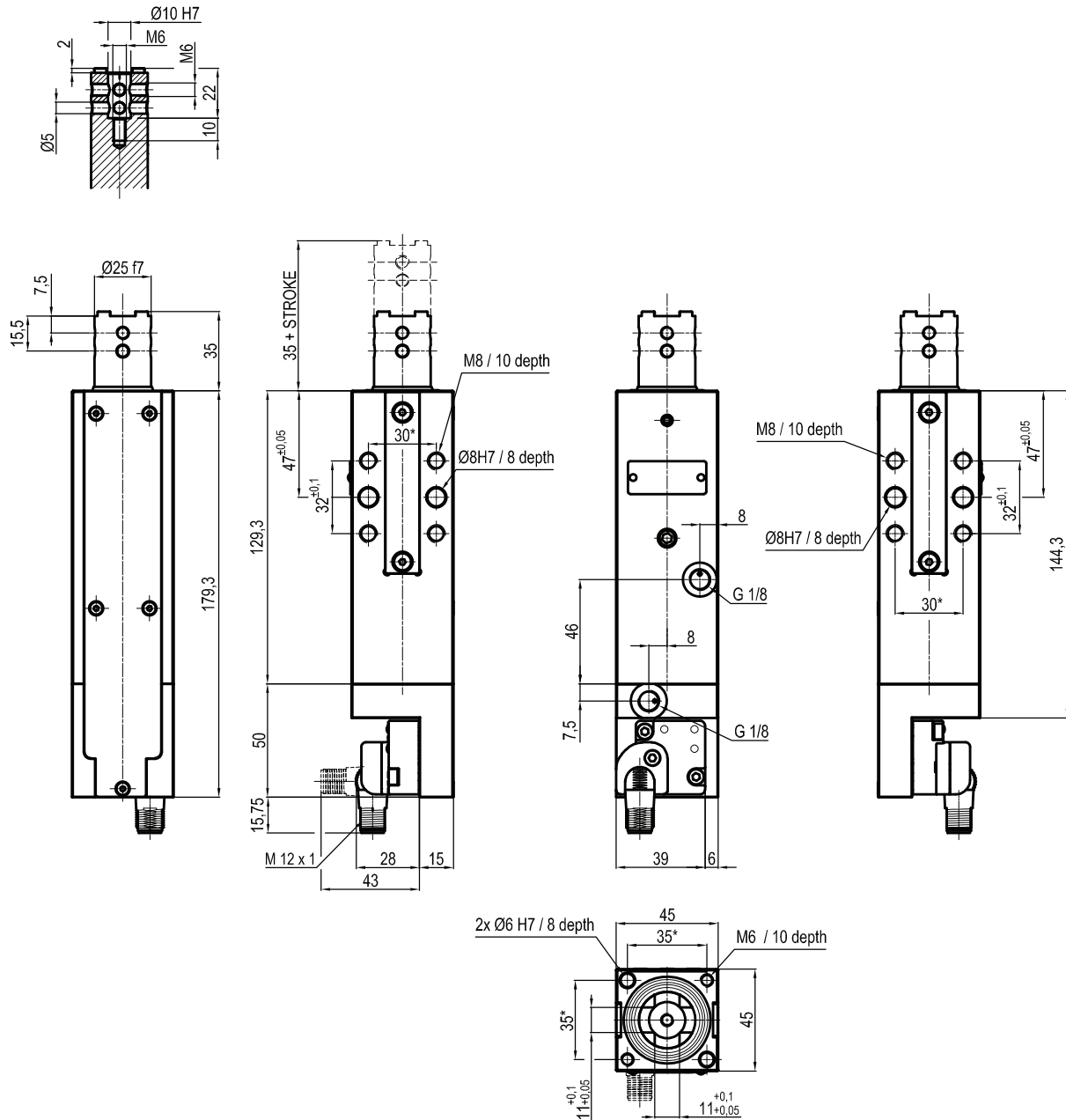
Supply voltage: 10 ÷ 30 Vdc

 IP code: **IP 65**

* : TOLERANCE BETWEEN DOWELS ± 0,02, BETWEEN SCREW HOLES ± 0,1

Subject to technical modifications without notice

ULB32__EKO



Bore Ø	Max. pull force 0,5 MPa	Max. push force 0,5 MPa	Max. torque 6 Nm	Max. deflection moment 5,5 Nm	Weight
32 mm	300 N	390 N	± 0,06°	± 0,03°	1,0 Kg

 Min./Max. operating pressure: **0,4 / 0,6 MPa**

 Operating temperature: **5°± 45° C**

 Strokes in mm.: **20-40**

Electronic sensor with M12 swivel connector, from 0° to 90°, in steps of 10°

Supply voltage: 10 ÷ 30 Vdc

 IP code: **IP 65**

* : TOLERANCE BETWEEN DOWELS ± 0,02, BETWEEN SCREW HOLES ± 0,1

Subject to technical modifications without notice