

ULA63

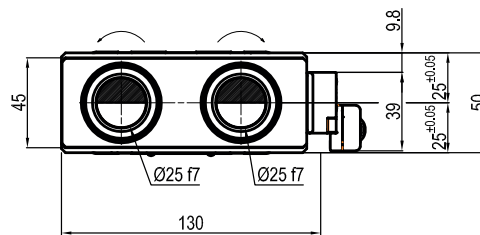
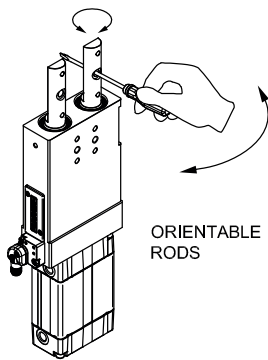
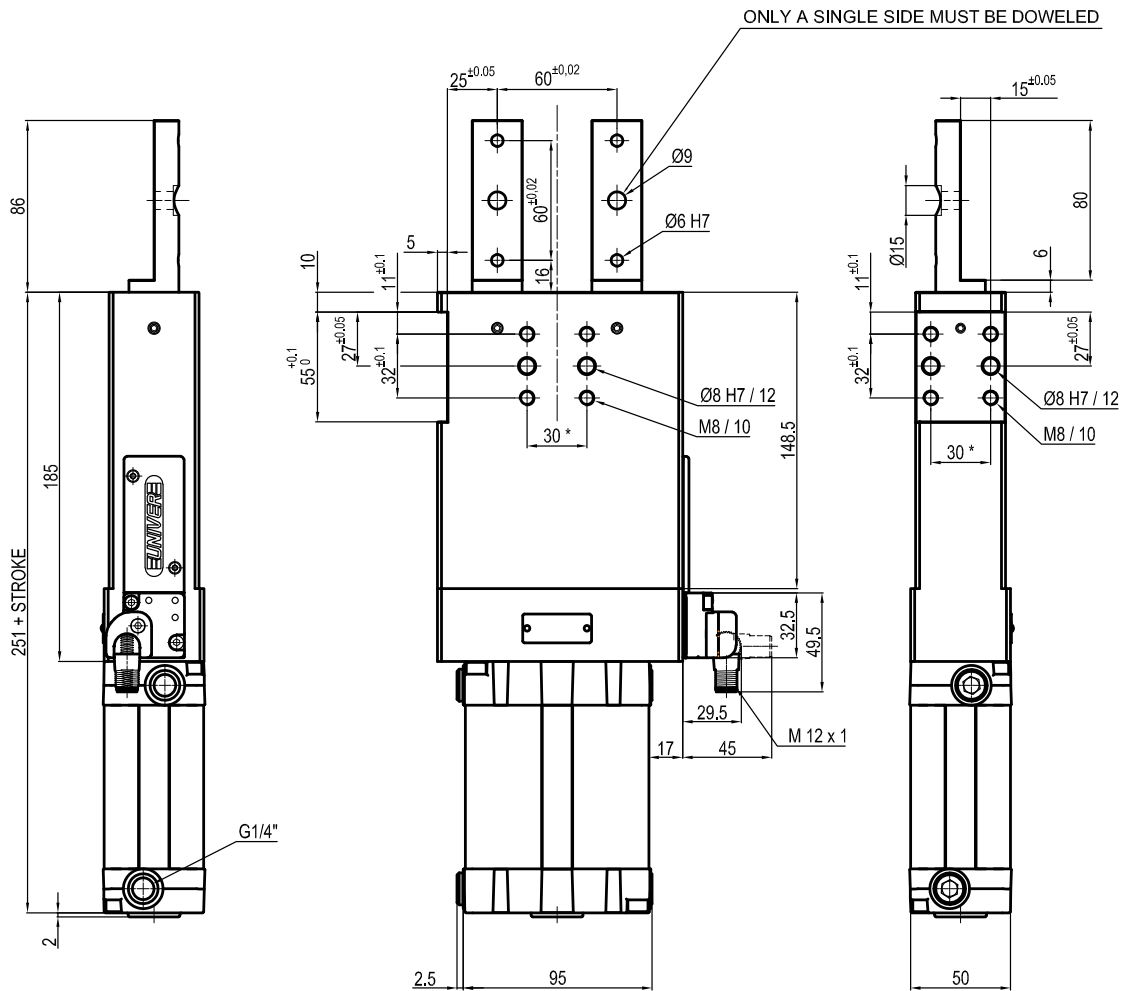
UNICLAMP Pneumatic retractable pin unit, double orientable rod



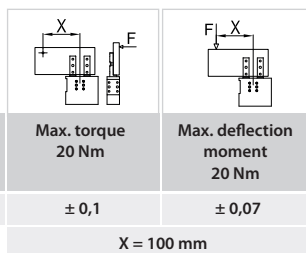
U	L	A	6	3	0	4	0	A	K	0
1	2	3	4		5	6	7			

1 Series	2 Version	3 Size
UL = UNICLAMP Pin unit	A = Pneumatic, double orientable rod	63 = Ø 63 mm
4 Stroke	5 Rod end style	6 Sensor
015 = 15 mm 025 = 25 mm 040 = 40 mm 050 = 50mm 060 = 60 mm 075* = 75 mm 100* = 100 mm 110* = 110 mm	A = Rod for off-set pins	D = Pneumatic sensor N = No sensor (with protection plate) K = Electronic sensor PNP (optical) (DF-K)
* = Special strokes oversized body		
7 Product revision		
Assigned by UNIVER		

ULA63__AK0



180° ORIENTABLE RODS



Bore Ø	Max. pull force 0,5 MPa	Max. push force 0,5 MPa	Max. torque 20 Nm	Max. deflection moment 20 Nm	Weight
63 mm	1430 N	1530 N	± 0,1	± 0,07	4,6 Kg

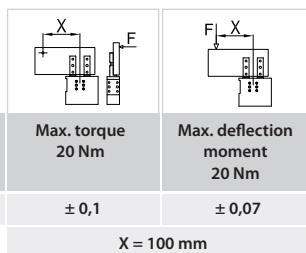
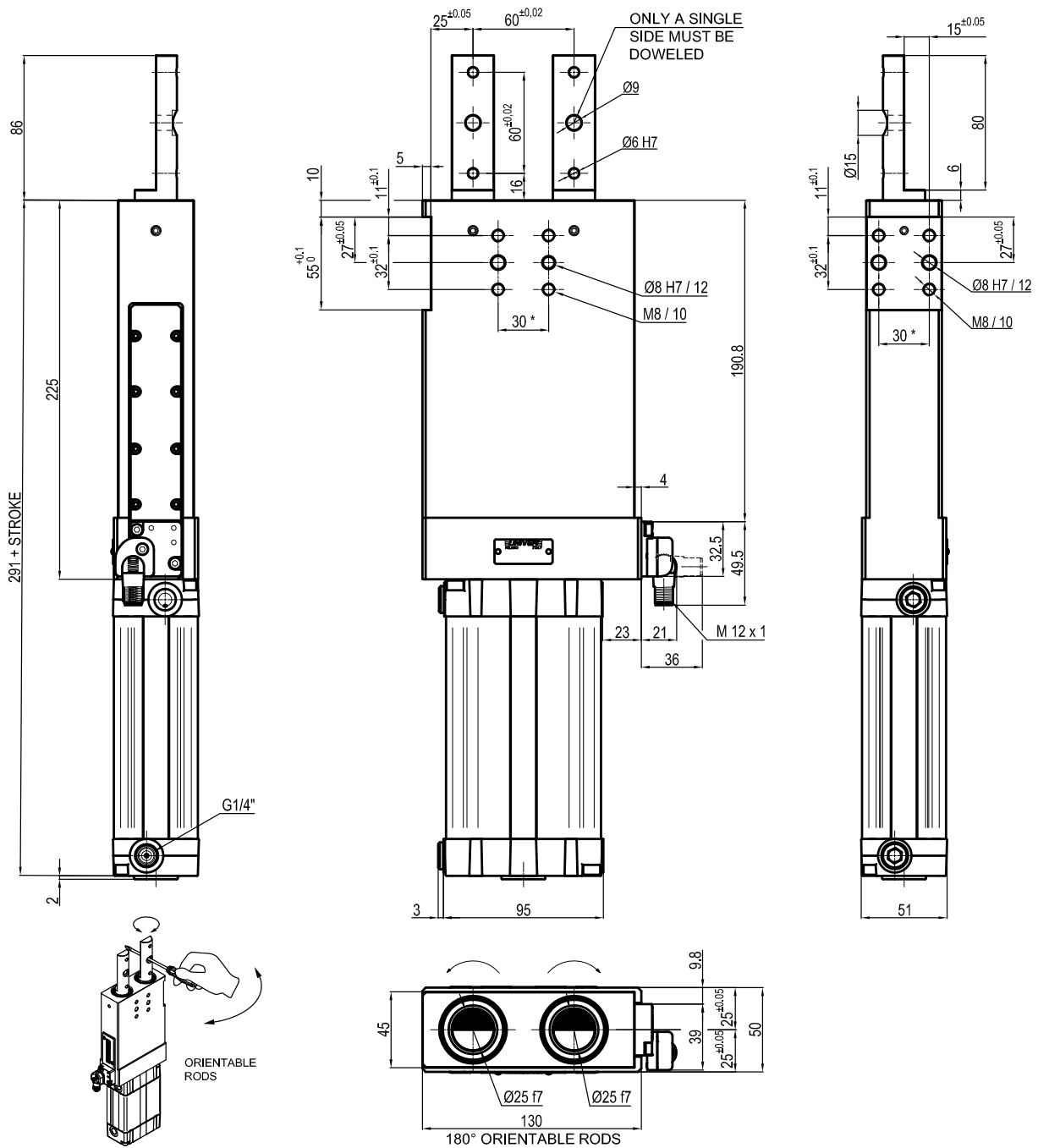
Min./Max. operating pressure: **0,4 / 0,6 MPa**
 Operating temperature: **5° ÷ 45° C**
 Strokes in mm: **15 - 25 - 40 - 50 - 60**
 Electronic sensor with M12 swivel connector, from 0° to 90°, in steps of 10°
 Supply voltage: **10 ÷ 30 Vdc**
 IP code: **IP 65**
 Pneumatic ports on both sides

* : TOLERANCE BETWEEN DOWELS ± 0,02, BETWEEN SCREW HOLES ± 0,1

Subject to technical modifications without notice

ULA63__AK0

75-100-110 mm



Bore Ø	Max. pull force 0,5 MPa	Max. push force 0,5 MPa	Max. torque 20 Nm	Max. deflection moment 20 Nm	Weight
63 mm	1430 N	1530 N	± 0,1	± 0,07	5,7 Kg

Min./Max. operating pressure: **0,4 / 0,6 MPa**
 Operating temperature: **5° ÷ 45° C**
 Strokes in mm: **75 - 100 - 110**
 Electronic sensor with M12 swivel connector, from 0° to 90°, in steps of 10°
 Supply voltage: **10 ÷ 30 Vdc**
 IP code: **IP 65**
 Pneumatic ports on both sides

* : TOLERANCE BETWEEN DOWELS ± 0,02, BETWEEN SCREW HOLES ± 0,1

Subject to technical modifications without notice