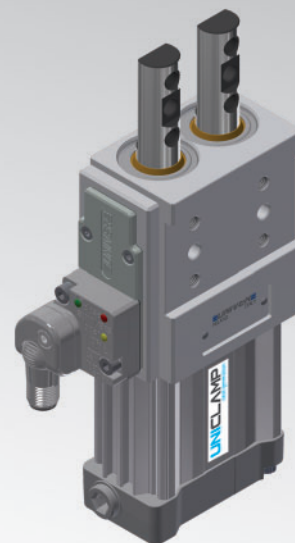


# ULA40

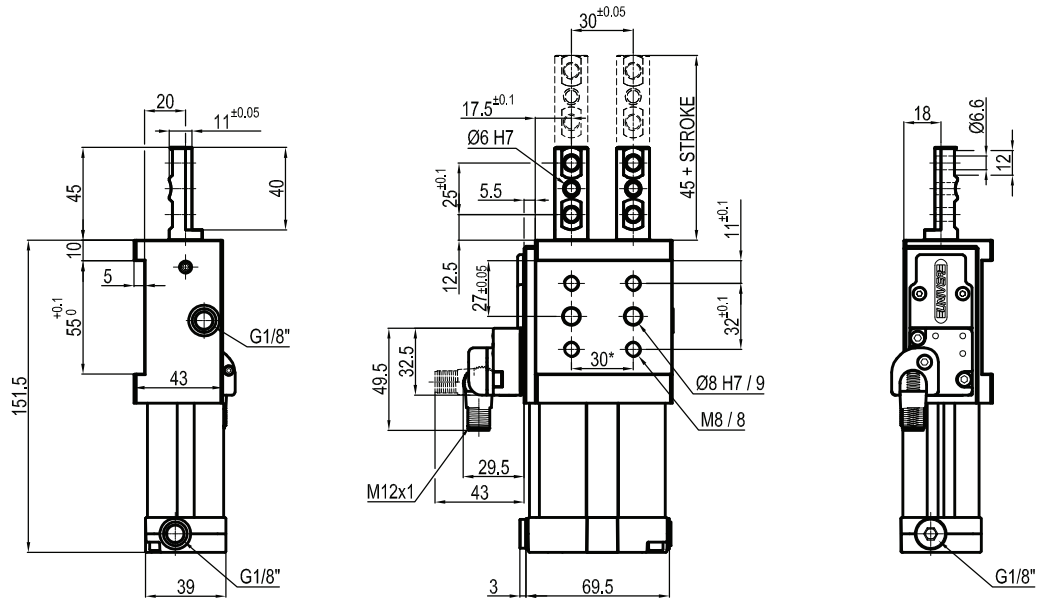
Unità di centraggio pneumatica UNICLAMP,  
doppia asta orientabile, doppia guida interna



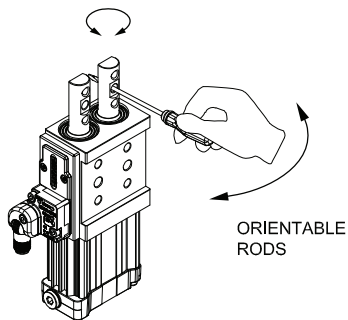
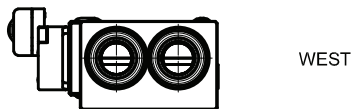
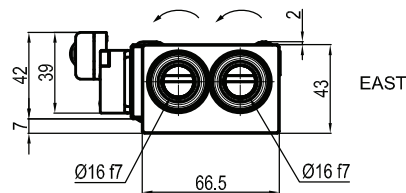
U	L	A	4	0	0	4	0	N	A	K	0
1	2	3	4		5	6	7	8			

<b>1 Serie</b>	<b>2 Versione</b>	<b>3 Taglia</b>
UL = Unità di centraggio UNICLAMP	A = Pneumatica, doppia asta orientabile doppia guida interna	40 = Ø 40 mm
<b>4 Corsa</b>	<b>5 Terminale asta</b>	<b>6 Superficie di fissaggio</b>
020 = 20 mm 040 = 40 mm	A = Asta per centraggi dislocati (2 fori per vite - 1 foro spina) N = Asta per centraggi dislocati con fori invertiti (2 fori spina - 1 foro per vite) G = Asta per centraggi dislocati - piano asta in asse con piano di mezzeria (2 fori per vite - 1 foro spina) P = Asta per centraggi dislocati con fori invertiti - piano asta in asse con piano di mezzeria (2 fori spina - 1 foro per vite)	A = 55 mm S = Standard
<b>7 Sensore</b>	<b>8 Revisione prodotto</b>	
N = Senza sensore (con piastra di chiusura) K = Sensore elettronico PNP (ottico) (DF-K)	Assegnato da UNIVER	

## ULA40\_\_ \_AAK0



## ORIENTABLE RODS



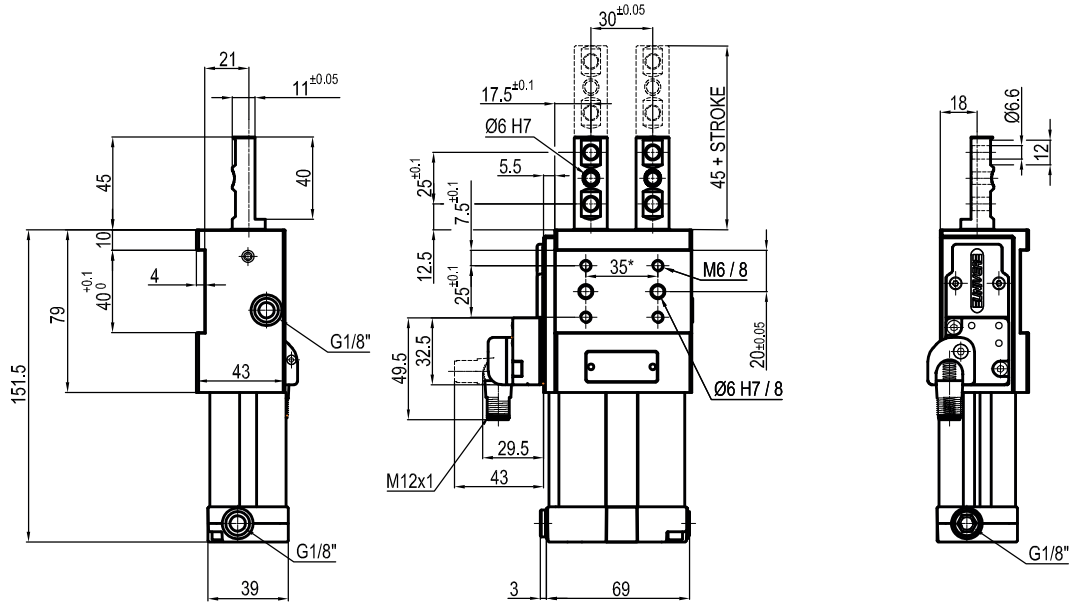
Bore Ø	Max. pull force 0,5 MPa	Max. push force 0,5 MPa	Max. torque 3 Nm	Max. deflection moment 6 Nm	Weight
40 mm	550 N	600 N	±0,1°	±0,03°	1,3 Kg

Min./Max. operating pressure: **0,4 / 0,6 MPa**  
 Operating temperature: **5° ÷ 45° C**  
 Strokes in mm: **20 - 40**  
 Electronic sensor with M12 swivel connector, from 0° to 90°,  
 in steps of 10°  
 Supply voltage: 10 ÷ 30 Vdc  
 IP code: **IP 65**  
 Pneumatic ports on both sides

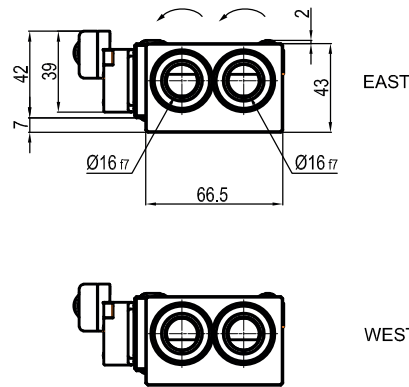
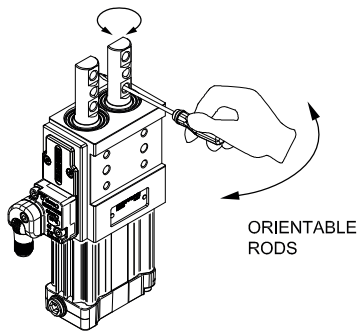
\* : TOLERANCE BETWEEN DOWELS ± 0,02, BETWEEN SCREW HOLES ± 0,1

Subject to technical modifications without notice

ULA40\_\_ASK0



ORIENTABLE RODS



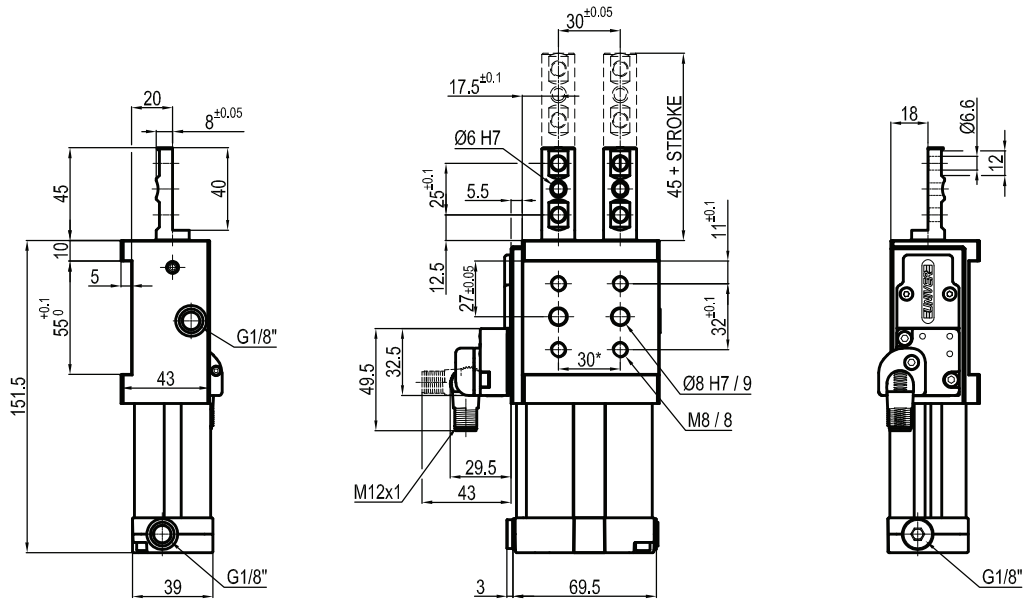
Bore Ø	Max. pull force 0,5 MPa	Max. push force 0,5 MPa	Max. torque 3 Nm	Max. deflection moment 6 Nm	Weight
40 mm	550 N	600 N	±0,1°	±0,03°	1,3 Kg

Min./Max. operating pressure: **0,4 / 0,6 MPa**  
 Operating temperature: **5° ÷ 45° C**  
 Strokes in mm: **20 - 40**  
 Electronic sensor with M12 swivel connector, from 0° to 90°, in steps of 10°  
 Supply voltage: 10 ÷ 30 Vdc  
 IP code: **IP 65**  
 Pneumatic ports on both sides

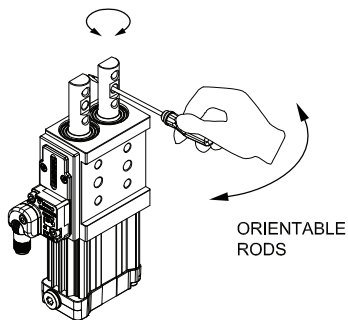
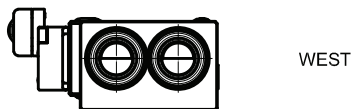
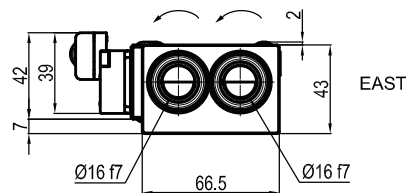
\* : TOLERANCE BETWEEN DOWELS ± 0,02, BETWEEN SCREW HOLES ± 0,1

Subject to technical modifications without notice

## ULA40\_\_GAK0



## ORIENTABLE RODS



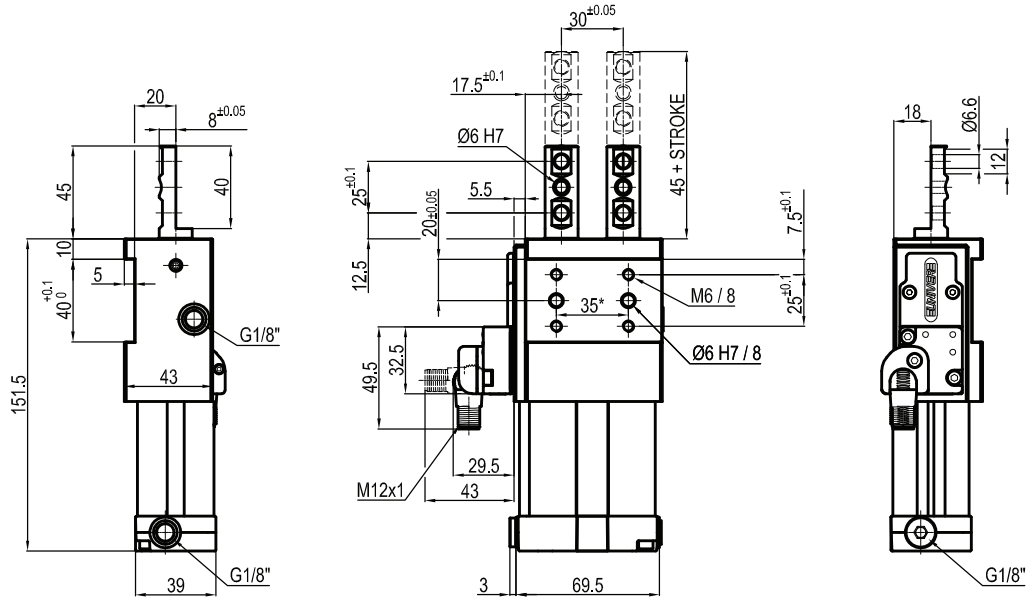
Bore Ø	Max. pull force 0,5 MPa	Max. push force 0,5 MPa	Max. torque 3 Nm	Max. deflection moment 6 Nm	Weight
40 mm	550 N	600 N	±0,1°	±0,03°	1,3 Kg

Min./Max. operating pressure: **0,4 / 0,6 MPa**  
 Operating temperature: **5° ÷ 45° C**  
 Strokes in mm: **20 - 40**  
 Electronic sensor with M12 swivel connector, from 0° to 90°,  
 in steps of 10°  
 Supply voltage: 10 ÷ 30 Vdc  
 IP code: **IP 65**  
 Pneumatic ports on both sides

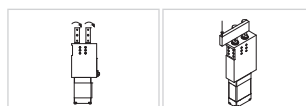
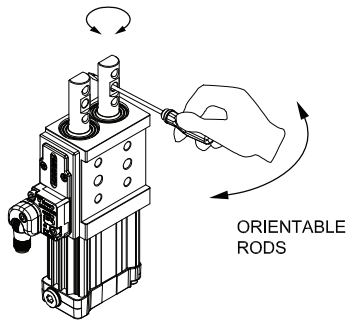
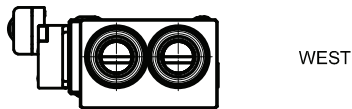
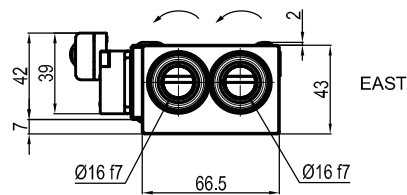
\* : TOLERANCE BETWEEN DOWELS ± 0,02, BETWEEN SCREW HOLES ± 0,1

Subject to technical modifications without notice

## ULA40\_\_GSK0



## ORIENTABLE RODS



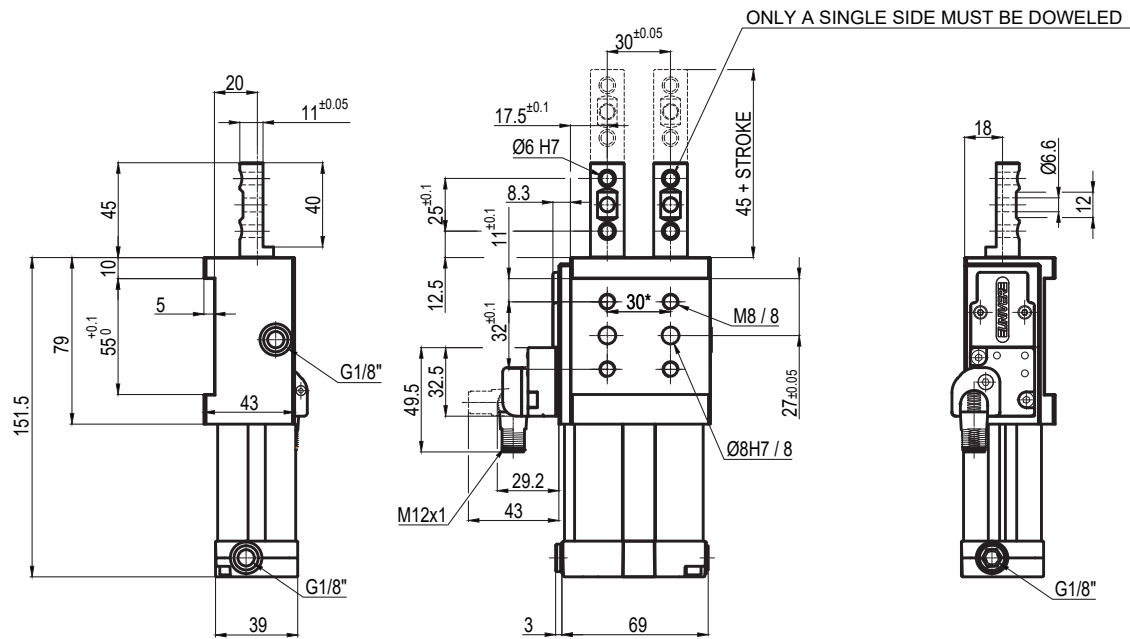
Bore Ø	Max. pull force 0,5 MPa	Max. push force 0,5 MPa	Max. torque 3 Nm	Max. deflection moment 6 Nm	Weight
40 mm	550 N	600 N	±0,1°	±0,03°	1,3 Kg

Min./Max. operating pressure: **0,4 / 0,6 MPa**  
 Operating temperature: **5° ÷ 45° C**  
 Strokes in mm: **20 - 40**  
 Electronic sensor with M12 swivel connector, from 0° to 90°,  
 in steps of 10°  
 Supply voltage: 10 ÷ 30 Vdc  
 IP code: **IP 65**  
 Pneumatic ports on both sides

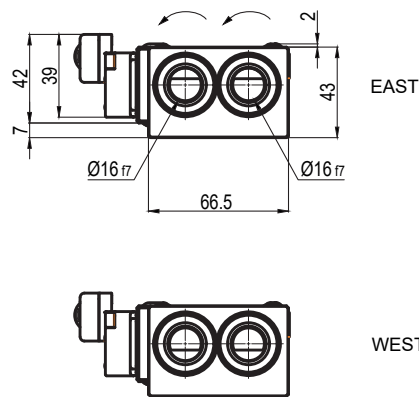
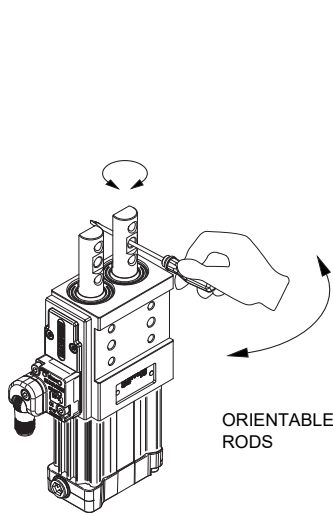
\* : TOLERANCE BETWEEN DOWELS ± 0,02, BETWEEN SCREW HOLES ± 0,1

Subject to technical modifications without notice

## ULA40\_\_NAK0



## ORIENTABLE RODS



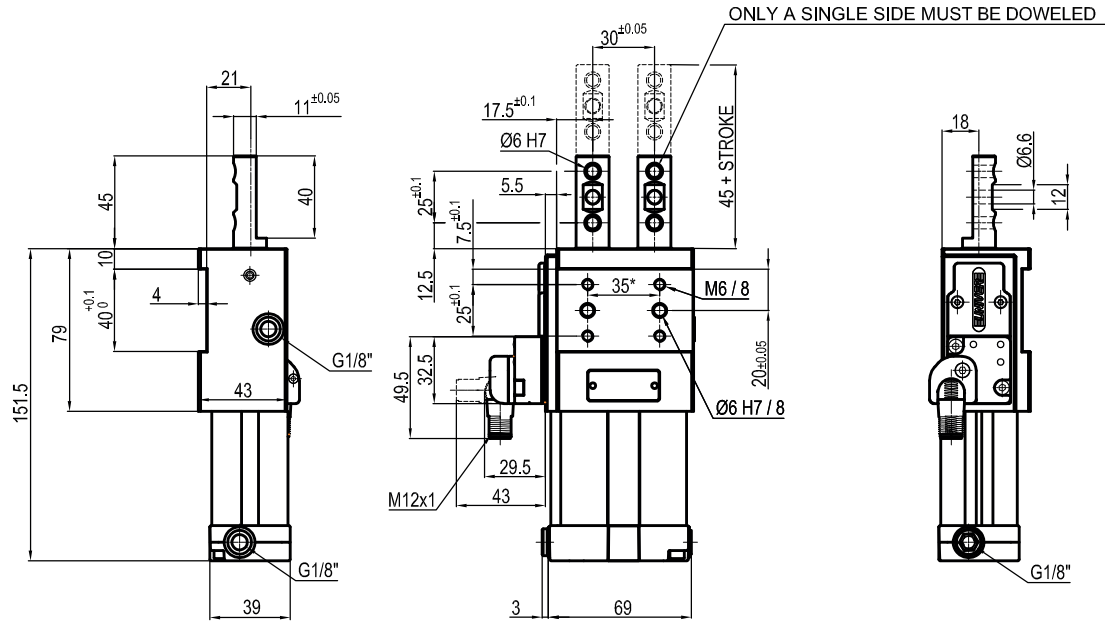
Bore Ø	Max. pull force 0,5 MPa	Max. push force 0,5 MPa	Max. torque 3 Nm	Max. deflection moment 6 Nm	Weight
40 mm	550 N	600 N	±0,1°	±0,03°	1,3 Kg

Min./Max. operating pressure: **0,4 / 0,6 MPa**  
 Operating temperature: **5° ÷ 45° C**  
 Strokes in mm: **20 - 40**  
 Electronic sensor with M12 swivel connector, from 0° to 90°, in steps of 10°  
 Supply voltage: 10 ÷ 30 Vdc  
 IP code: **IP 65**  
 Pneumatic ports on both sides

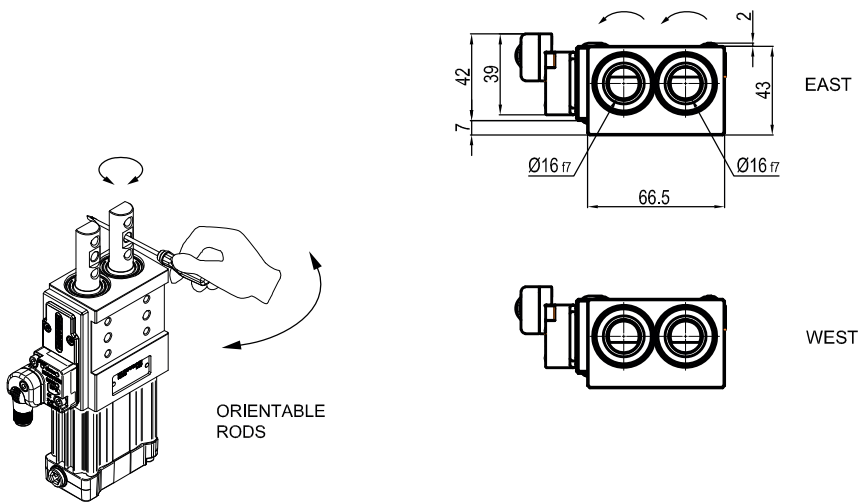
\*: TOLERANCE BETWEEN DOWELS ± 0,02, BETWEEN SCREW HOLES ± 0,1

Subject to technical modifications without notice

ULA40\_\_NSK0



ORIENTABLE RODS



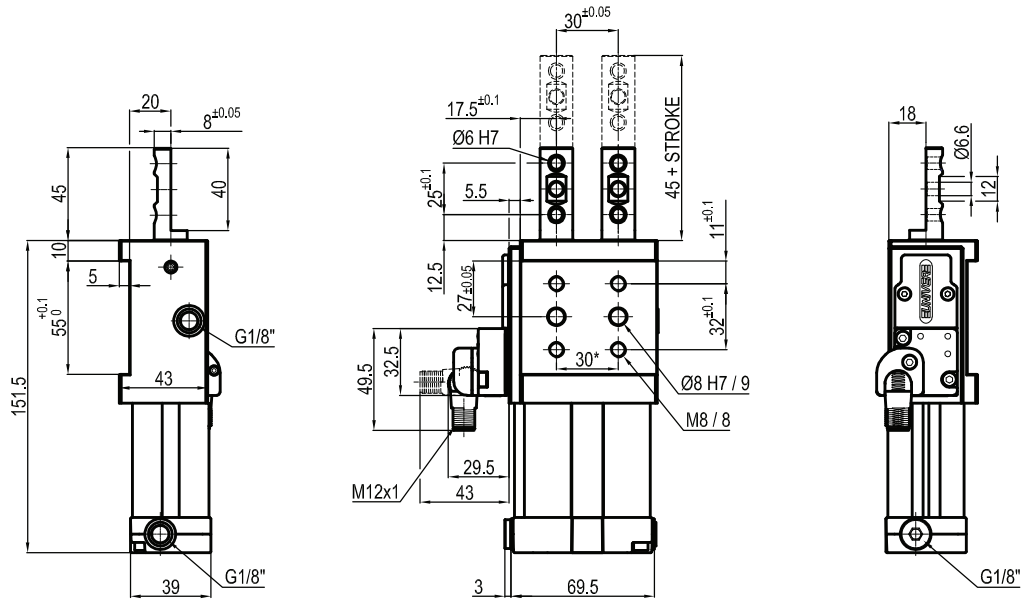
Bore Ø	Max. pull force 0,5 MPa	Max. push force 0,5 MPa	Max. torque 3 Nm	Max. deflection moment 6 Nm	Weight
40 mm	550 N	600 N	±0,1°	±0,03°	1,3 Kg

Min./Max. operating pressure: **0,4 / 0,6 MPa**  
 Operating temperature: **5° ÷ 45° C**  
 Strokes in mm: **20 - 40**  
 Electronic sensor with M12 swivel connector, from 0° to 90°, in steps of 10°  
 Supply voltage: 10 ÷ 30 Vdc  
 IP code: **IP 65**  
 Pneumatic ports on both sides

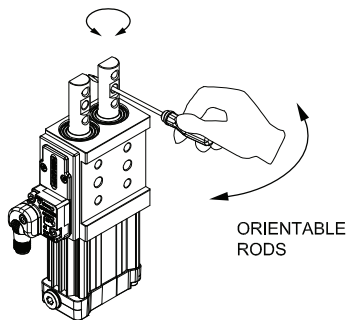
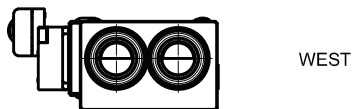
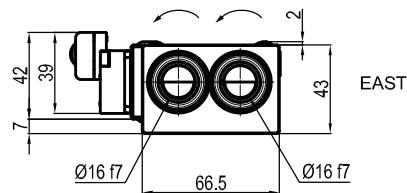
\* : TOLERANCE BETWEEN DOWELS ± 0,02, BETWEEN SCREW HOLES ± 0,1

Subject to technical modifications without notice

## ULA40\_\_ \_PAK0



## ORIENTABLE RODS



Bore Ø	Max. pull force 0,5 MPa	Max. push force 0,5 MPa	Max. torque 3 Nm	Max. deflection moment 6 Nm	Weight
40 mm	550 N	600 N	±0,1°	±0,03°	1,3 Kg

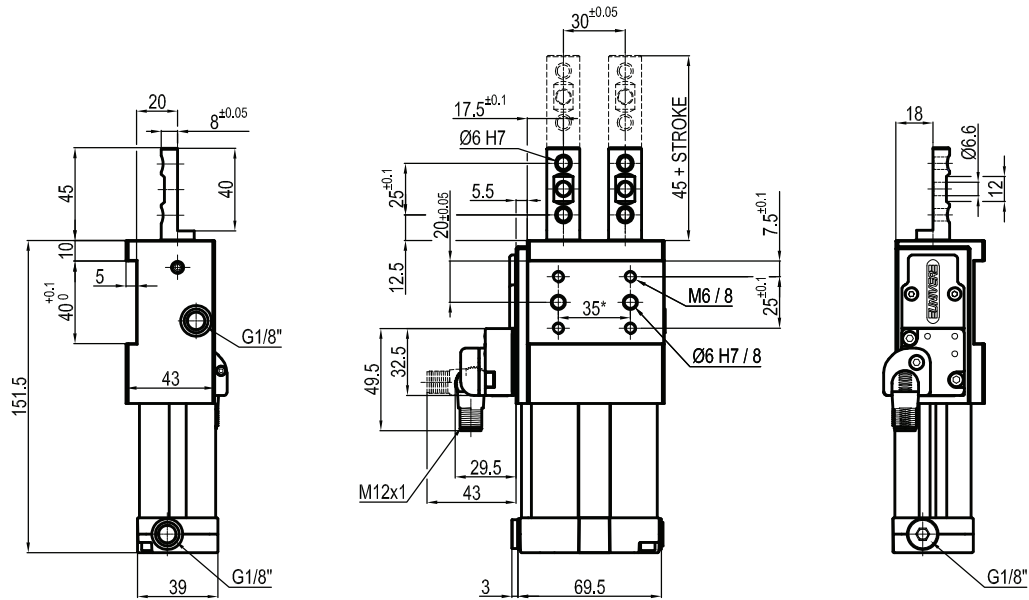
Min./Max. operating pressure: **0,4 / 0,6 MPa**  
 Operating temperature: **5° ÷ 45° C**  
 Strokes in mm: **20 - 40**  
 Electronic sensor with M12 swivel connector, from 0° to 90°,  
 in steps of 10°  
 Supply voltage: 10 ÷ 30 Vdc  
 IP code: **IP 65**  
 Pneumatic ports on both sides

\* : TOLERANCE BETWEEN DOWELS ± 0,02, BETWEEN SCREW HOLES ± 0,1

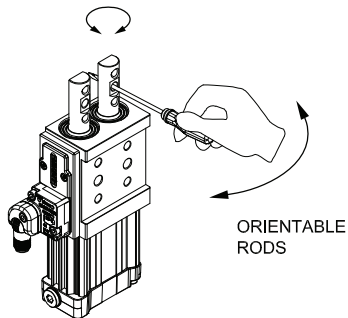
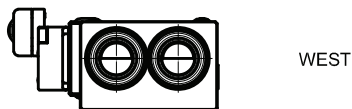
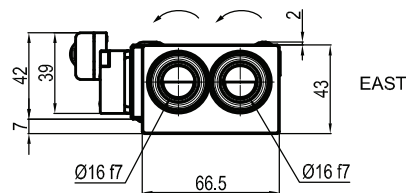
Subject to technical modifications without notice



## ULA40\_\_PSK0



## ORIENTABLE RODS



Bore Ø	Max. pull force 0,5 MPa	Max. push force 0,5 MPa	Max. torque 3 Nm	Max. deflection moment 6 Nm	Weight
40 mm	550 N	600 N	±0,1°	±0,03°	1,3 Kg

Min./Max. operating pressure: **0,4 / 0,6 MPa**  
 Operating temperature: **5° ÷ 45° C**  
 Strokes in mm: **20 - 40**  
 Electronic sensor with M12 swivel connector, from 0° to 90°,  
 in steps of 10°  
 Supply voltage: 10 ÷ 30 Vdc  
 IP code: **IP 65**  
 Pneumatic ports on both sides

\* : TOLERANCE BETWEEN DOWELS ± 0,02, BETWEEN SCREW HOLES ± 0,1

Subject to technical modifications without notice