

# USP50

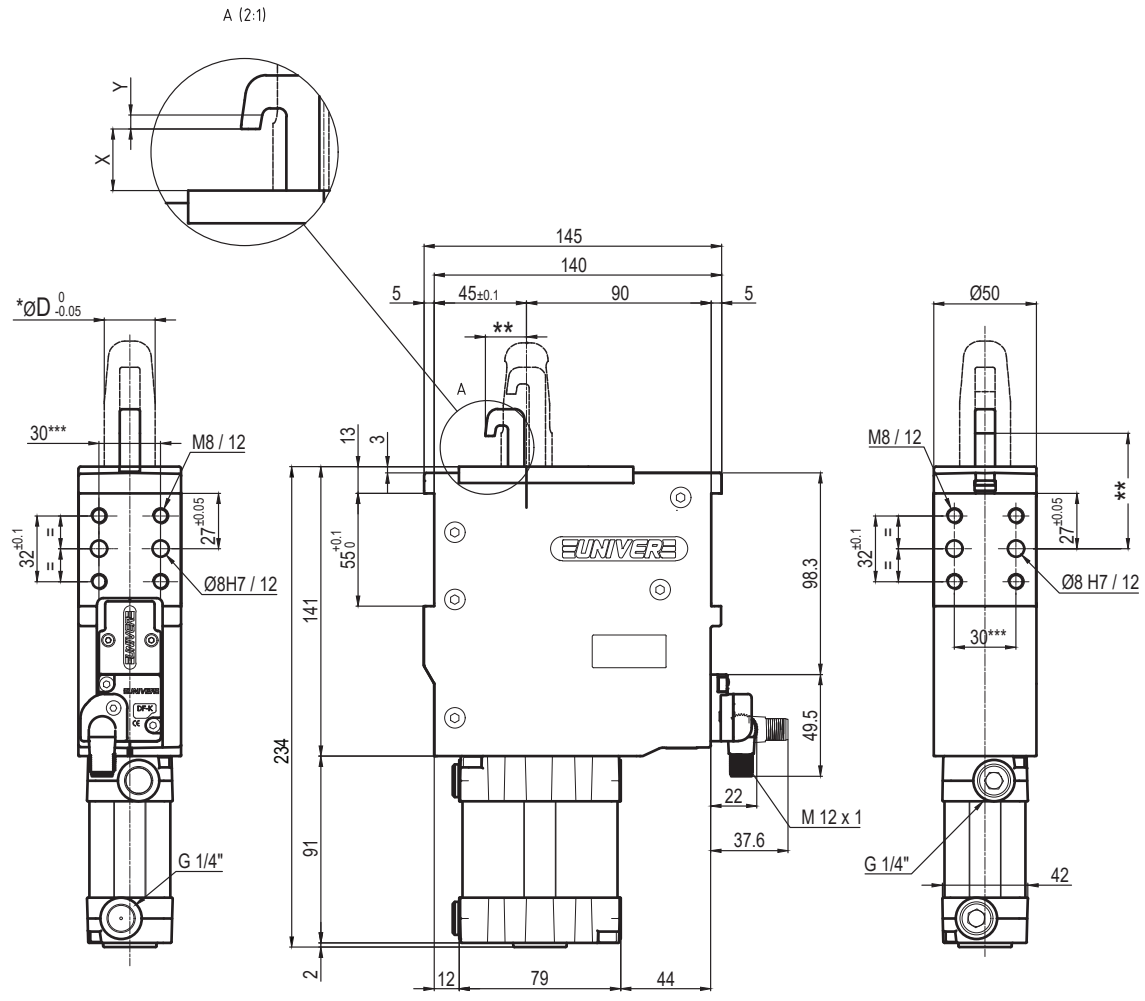
UNICLAMP Pneumatic pin clamp



U	S	P	5	0	J	3	1	-	-	-	K	0
1	2	3	4	5	6	7	8	9				

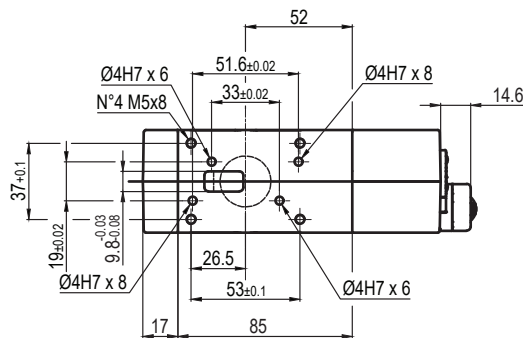
<b>1 Series</b>	<b>2 Version</b>	<b>3 Size</b>
US = UNICLAMP Pin clamp, with compensation	P = Pneumatic	50 = Ø 50 mm
<b>4 Model</b>	<b>5 Pin diameter</b>	<b>6 Locating pin</b>
J = Standard R = Locking/unlocking device	1 <= Ø 19 mm 2 = Ø 20 mm 3 = Ø 25 mm 4 = Ø 30 mm 5 = Ø 35 mm 6 = Ø 40 mm For pin Ø outside the mentioned range please contact our Sales Dept.	0 = Locating pin not included 1 = Locating pin included
<b>7 Progressive numbering</b>	<b>8 Sensor</b>	<b>9 Product revision</b>
Progressive numbers for special products are assigned by the Sales Dept.	K = Electronic sensor PNP (optical) (DF-K) N = No sensor (with protection plate)	Assigned by UNIVER

USP50J\_0\_ \_ \_ K0



*	ØD
1	18
2	20
3	25
4	30
5	35
6	40

Pin material:  
hardened steel



Bore Ø	Clamping force	Weight (reference plate, pin and hook not included)
50 mm	3500 N	2,9 Kg

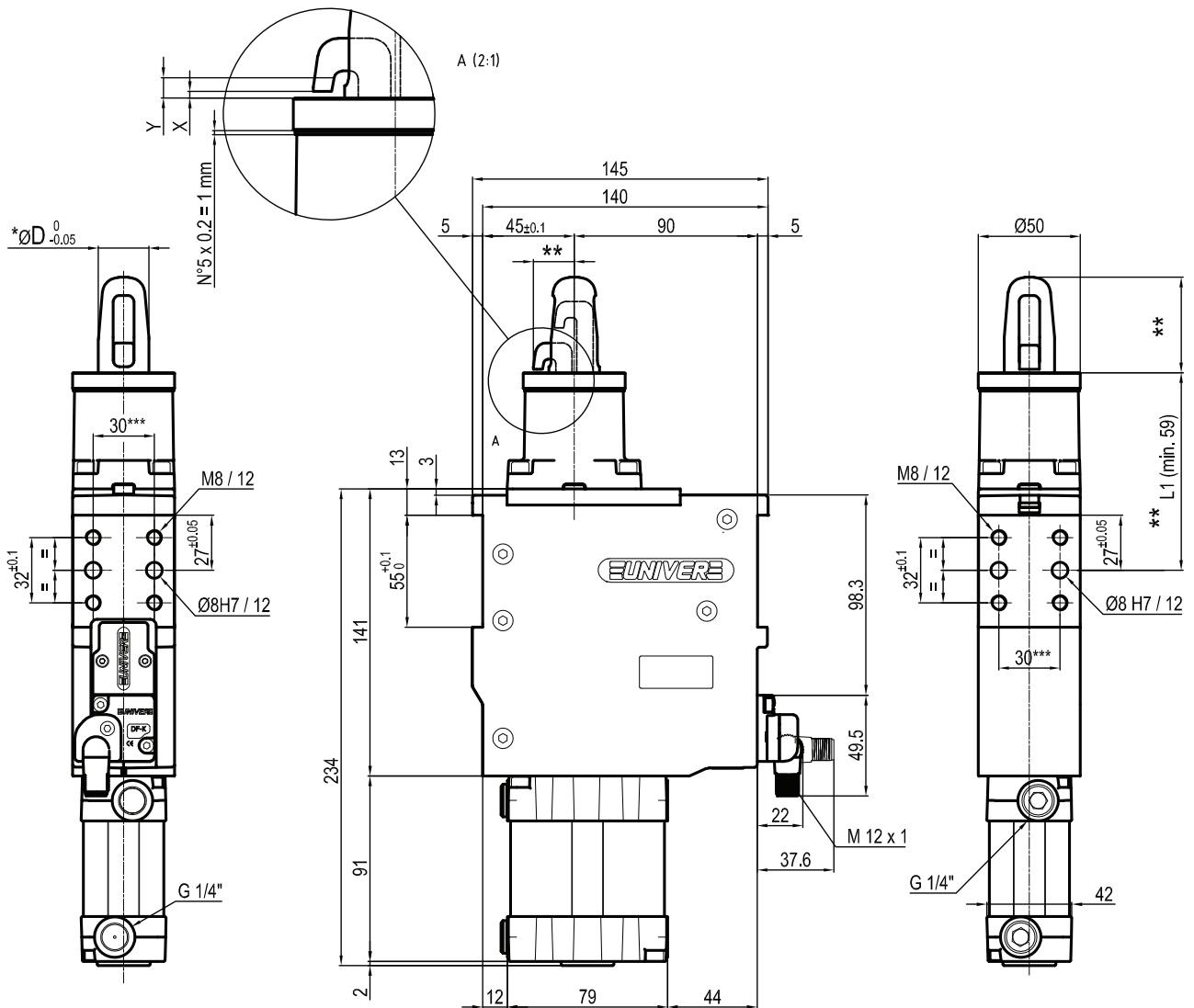
Min./Max. operating pressure: **0,4 / 0,6 MPa**  
 Operating temperature: **5° ÷ 45° C**  
 Electronic sensor with M12 swivel connector,  
 from 0° to 90°, in steps of 10°  
 Supply voltage: 10 ÷ 30 Vdc  
 IP code: **IP 65**

\*\* : MISSING DIMENSION TO BE DEFINED ACCORDING TO CUSTOMER SPECIFICATIONS  
 \*\*\* : TOLERANCE BETWEEN DOWEL HOLES ± 0,02, BETWEEN SCREW HOLES ± 0,1

**X= metal sheet**  
**Y = clamping range (X + 2,3 mm Max)**

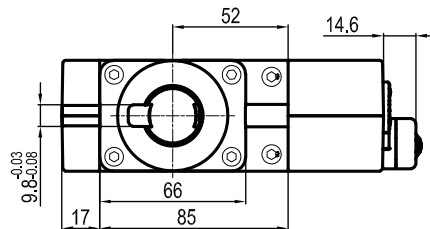
Subject to technical modifications without notice

## USP50J\_1\_\_\_K0



*	∅D
1	18
2	20
3	25
4	30
5	35
6	40

Pin material:  
hardened steel



Bore ∅	Clamping force	Weight (reference plate, pin and hook not included)
50 mm	3500 N	2,9 Kg

Min./Max. operating pressure: **0,4 / 0,6 MPa**  
 Operating temperature: **5° ÷ 45° C**  
 Electronic sensor with M12 swivel connector,  
 from 0° to 90°, in steps of 10°  
 Supply voltage: 10 ÷ 30 Vdc  
 IP code: **IP 65**

\*\* : MISSING DIMENSION TO BE DEFINED ACCORDING TO CUSTOMER SPECIFICATIONS  
 \*\*\* : TOLERANCE BETWEEN DOWEL HOLES ± 0,02, BETWEEN SCREW HOLES ± 0,1

**X = metal sheet**

**Y = clamping range (X + 2,3 mm Max)**

Subject to technical modifications without notice