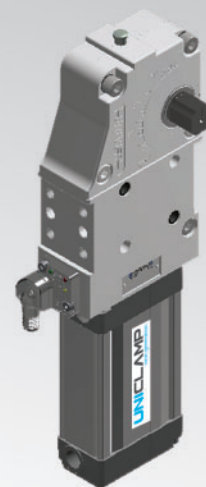


UCNP50

Unità di bloccaggio UNICLAMP
standard NAAMS

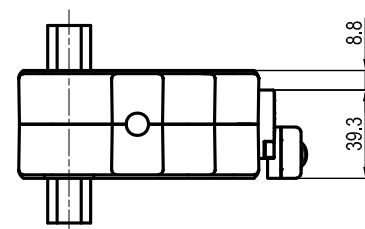
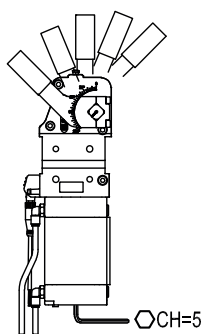
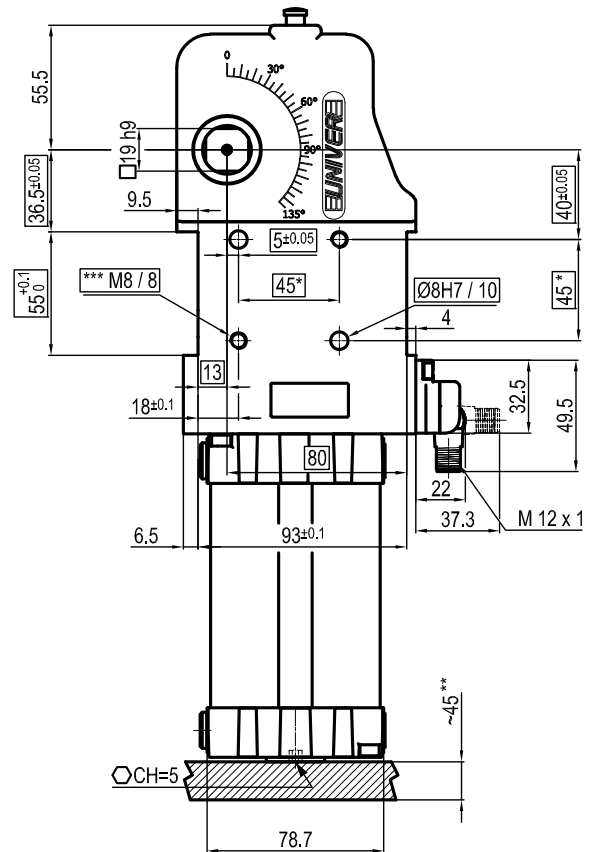
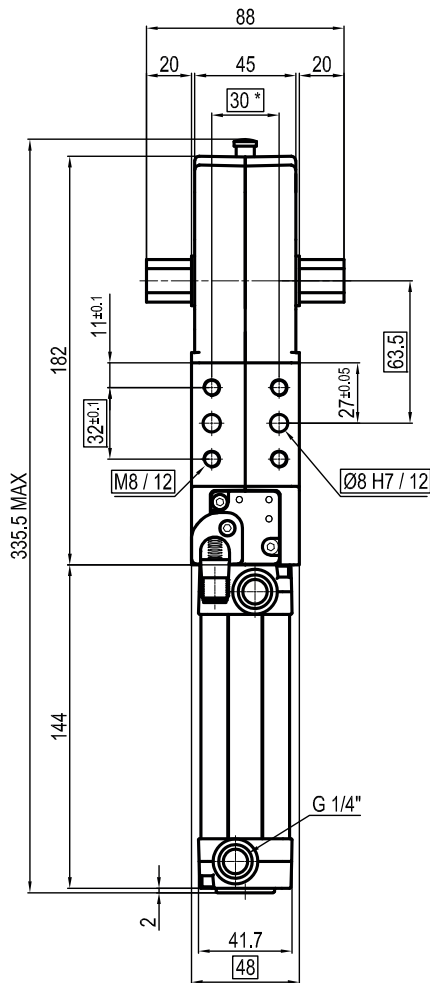


U	C	N	P	5	0	N	N	K	G	0
1	2	3		4		5	6	7	8	9



1 Serie	2 Standard	3 Versione
UC = Unità di bloccaggio UNICLAMP con regolazione continua angolo d'apertura da: 0° a 135° max	N = NAAMS Standard	P = Pneumatica
4 Taglia	5 Posizione pressore	6 Uscita albero quadro
50 = Ø 50 mm	N = Senza pressore	R = Solo lato destro L = Solo lato sinistro N = Entrambi i lati
7 Sensore	8 Filetto alimentazioni	9 Revisione prodotto
N = Senza sensore (con piastra di chiusura) K = Sensore elettronico PNP (ottico) (DF-K)	G = Gas N = NPT	Assegnato da UNIVER

UCNP50NNKG0



Bore Ø	Holding moment	Clamping moment (0,5 MPa)	Weight (clamping arm not included)
50 mm	1250 Nm	280 Nm	2,7 Kg

 Min./Max. operating pressure: **0,4 / 0,6 MPa**

 Operating temperature: **5° ÷ 45° C**

 Opening angle: **adjustable**

Without arm

Electronic sensor with M12 swivel connector, from 0° to 90°, in steps of 10°

Supply voltage: 10 ÷ 30 Vdc

 IP code: **IP 65**

Pneumatic ports on both sides

*: TOLERANCE BETWEEN DOWELS ± 0,02, BETWEEN SCREW HOLES ± 0,1

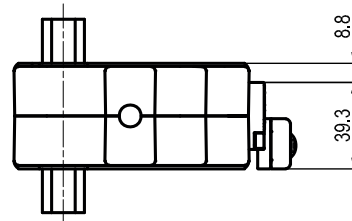
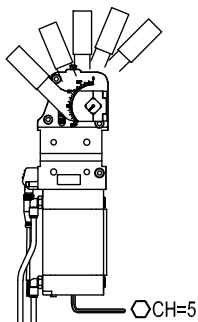
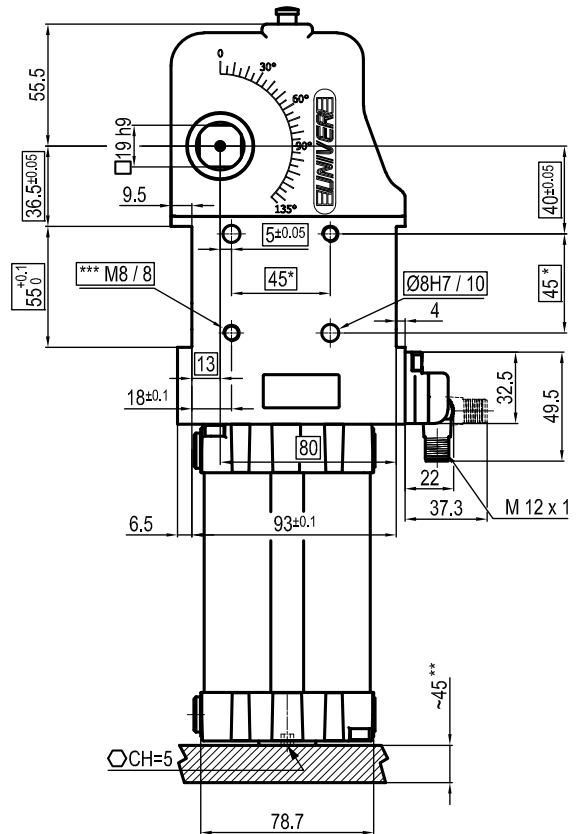
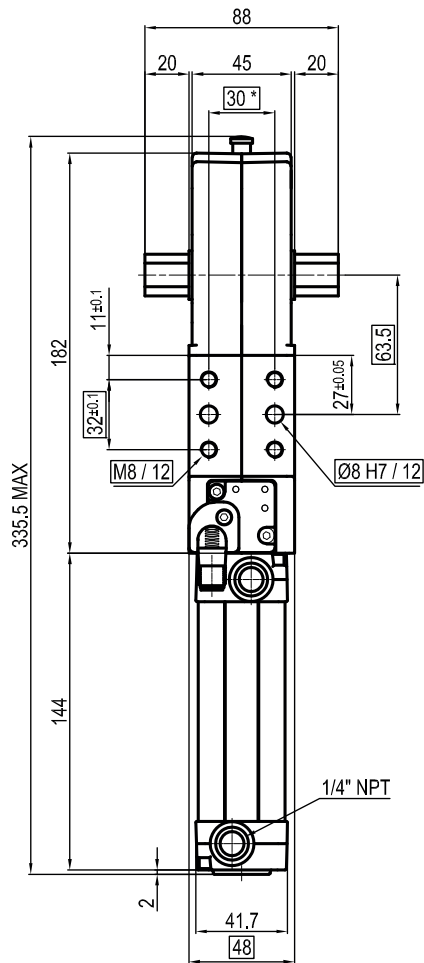
**: AREA TO ACCESS ANGLE ADJUSTMENT

***: SCREW THREAD INSERT

Subject to technical modifications without notice

Rev. 01 26.01.22

UCNP50NNKNO



Bore Ø	Holding moment	Clamping moment (0,5 MPa)	Weight (clamping arm not included)
50 mm	1250 Nm	280 Nm	2,7 Kg

 Min./Max. operating pressure: **0,4 / 0,6 MPa**

 Operating temperature: **5° ÷ 45° C**

 Opening angle: **adjustable**

Without arm

Electronic sensor with M12 swivel connector, from 0° to 90°, in steps of 10°

Supply voltage: 10 ÷ 30 Vdc

 IP code: **IP 65**

Pneumatic ports on both sides

*: TOLERANCE BETWEEN DOWELS ± 0,02, BETWEEN SCREW HOLES ± 0,1

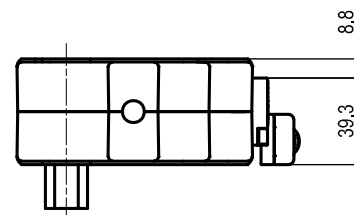
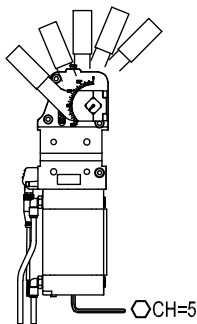
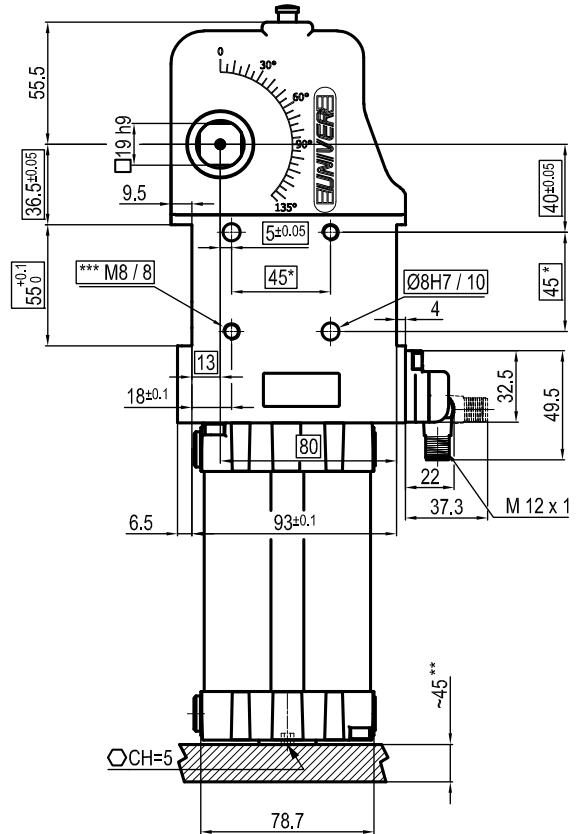
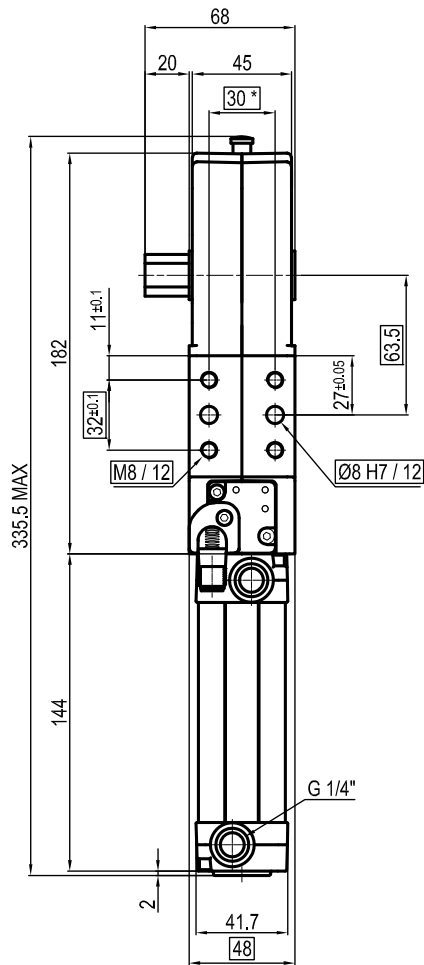
**: AREA TO ACCESS ANGLE ADJUSTMENT

***: SCREW THREAD INSERT

Subject to technical modifications without notice

Rev. 01 26.01.22

UCNP50NLKG0



Bore Ø	Holding moment	Clamping moment (0,5 MPa)	Weight (clamping arm not included)
50 mm	1250 Nm	280 Nm	2,7 Kg

Min./Max. operating pressure: **0,4 / 0,6 MPa**

Operating temperature: **5° ÷ 45° C**

Opening angle: **adjustable**

Without arm

Electronic sensor with M12 swivel connector, from 0° to 90°, in steps of 10°

Supply voltage: 10 ÷ 30 Vdc

IP code: **IP 65**

Pneumatic ports on both sides

* : TOLERANCE BETWEEN DOWELS ± 0,02, BETWEEN SCREW HOLES ± 0,1

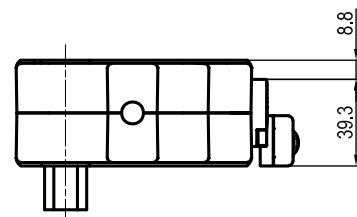
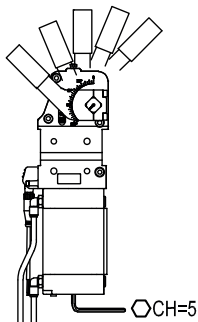
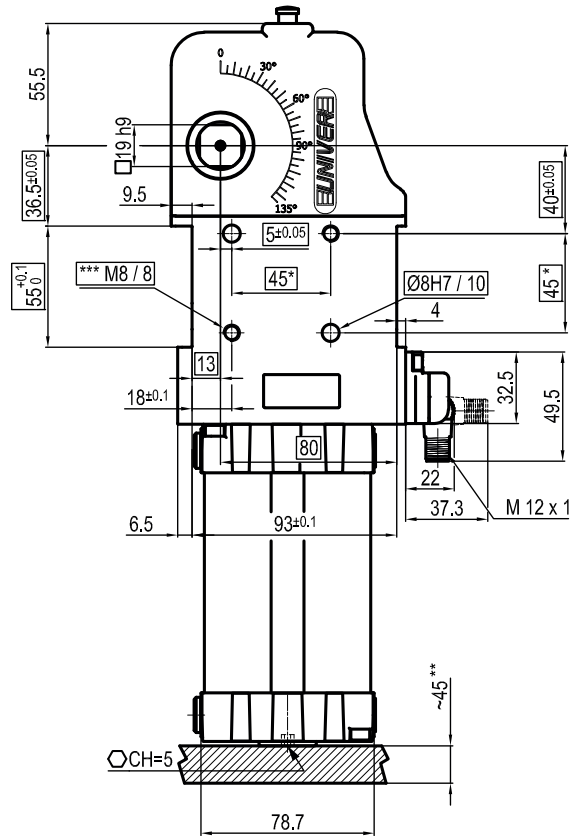
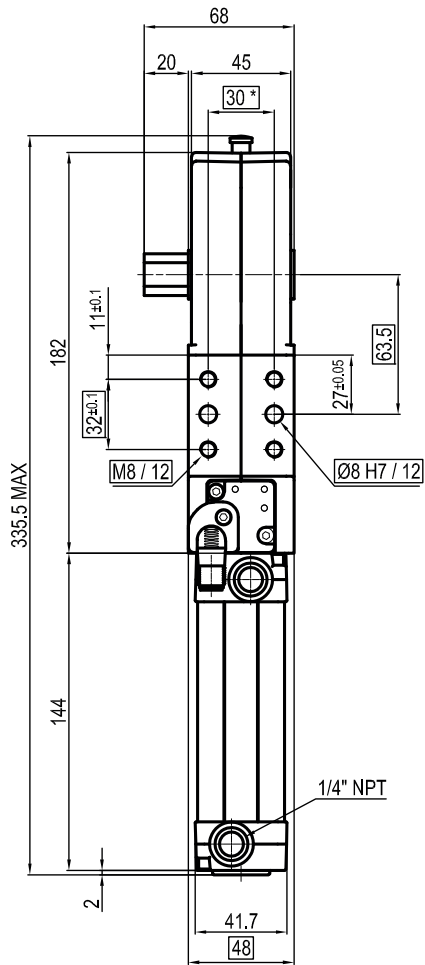
** : AREA TO ACCESS ANGLE ADJUSTMENT

***: SCREW THREAD INSERT

Subject to technical modifications without notice

Rev. 01 26.01.22

UCNP50NLKN0



Bore Ø	Holding moment	Clamping moment (0,5 MPa)	Weight (clamping arm not included)
50 mm	1250 Nm	280 Nm	2,7 Kg

Min./Max. operating pressure: **0,4 / 0,6 MPa**

Operating temperature: **5° ÷ 45° C**

Opening angle: **adjustable**

Without arm

Electronic sensor with M12 swivel connector, from 0° to 90°, in steps of 10°

Supply voltage: 10 ÷ 30 Vdc

IP code: **IP 65**

Pneumatic ports on both sides

* : TOLERANCE BETWEEN DOWELS ± 0,02, BETWEEN SCREW HOLES ± 0,1

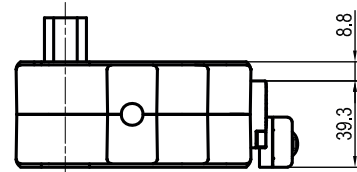
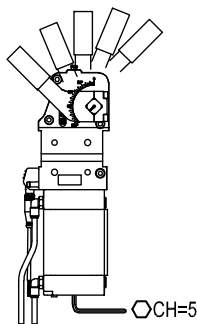
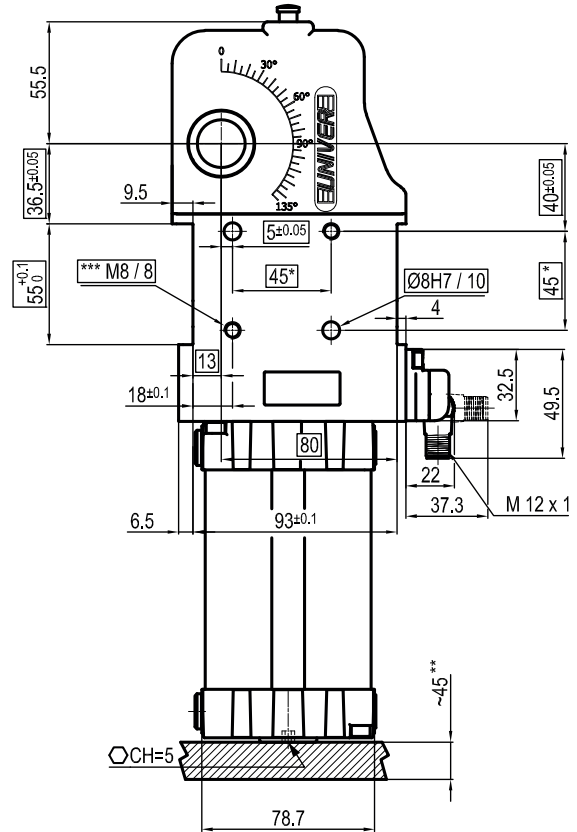
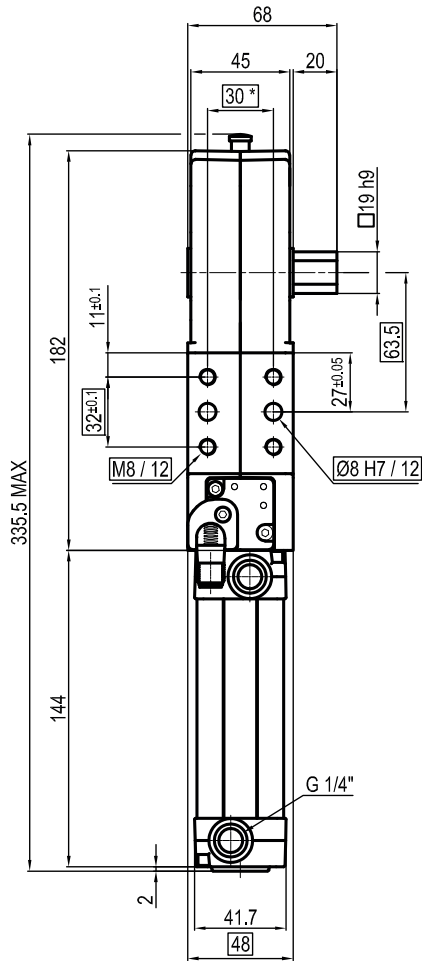
** : AREA TO ACCESS ANGLE ADJUSTMENT

***: SCREW THREAD INSERT

Subject to technical modifications without notice

Rev. 01 26.01.22

UCNP50NRKG0



Bore Ø	Holding moment	Clamping moment (0,5 MPa)	Weight (clamping arm not included)
50 mm	1250 Nm	280 Nm	2,7 Kg

 Min./Max. operating pressure: **0,4 / 0,6 MPa**

 Operating temperature: **5° ÷ 45° C**

 Opening angle: **adjustable**

Without arm

Electronic sensor with M12 swivel connector, from 0° to 90°, in steps of 10°

Supply voltage: 10 ÷ 30 Vdc

 IP code: **IP 65**

Pneumatic ports on both sides

*: TOLERANCE BETWEEN DOWELS ± 0,02, BETWEEN SCREW HOLES ± 0,1

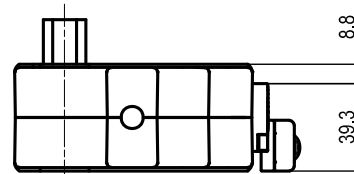
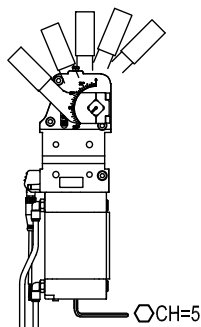
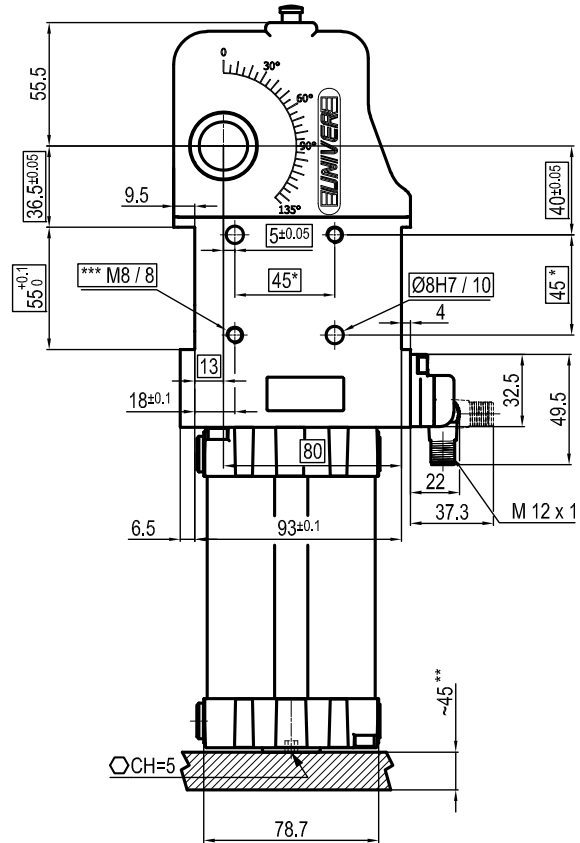
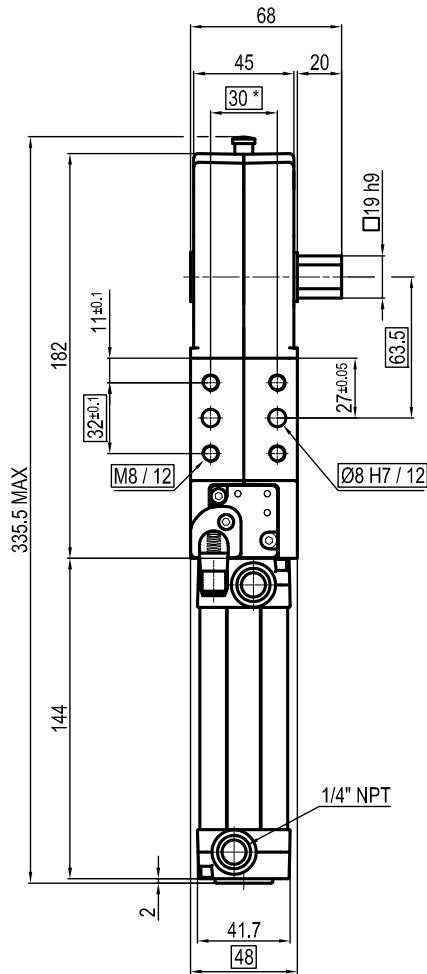
**: AREA TO ACCESS ANGLE ADJUSTMENT

***: SCREW THREAD INSERT

Subject to technical modifications without notice

Rev. 01 26.01.22

UCNP50NRKNO



Bore Ø	Holding moment	Clamping moment (0,5 MPa)	Weight (clamping arm not included)
50 mm	1250 Nm	280 Nm	2,7 Kg

 Min./Max. operating pressure: **0,4 / 0,6 MPa**

 Operating temperature: **5° ÷ 45° C**

 Opening angle: **adjustable**

Without arm

Electronic sensor with M12 swivel connector, from 0° to 90°, in steps of 10°

Supply voltage: 10 ÷ 30 Vdc

 IP code: **IP 65**

Pneumatic ports on both sides

*: TOLERANCE BETWEEN DOWELS ± 0,02, BETWEEN SCREW HOLES ± 0,1

**: AREA TO ACCESS ANGLE ADJUSTMENT

***: SCREW THREAD INSERT

Subject to technical modifications without notice

Rev. 01 26.01.22