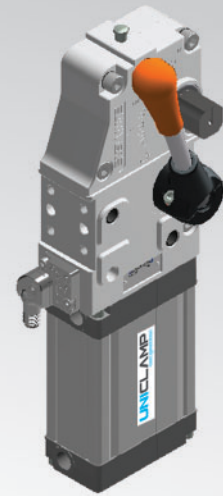


# UCNM63

UNICLAMP Power clamps with hand lever conforming to **NAAMS** Standard



U	C	N	M	6	3	N	N	K	G	0
1	2	3		4		5	6	7	8	9



<b>1 Series</b>	<b>2 Standard</b>	<b>3 Version</b>
-----------------	-------------------	------------------

**UC** = UNICLAMP Power clamps fully adjustable opening angle: 0° to 135° Max

**N** = NAAMS Standard

**M** = Pneumatic with hand lever

<b>4 Size</b>	<b>5 Arm position</b>	<b>6 Square shaft</b>
---------------	-----------------------	-----------------------

**63** = Ø 63 mm

**N** = No arm

**R** = Right side only  
**L** = Left side only  
**N** = Both sides

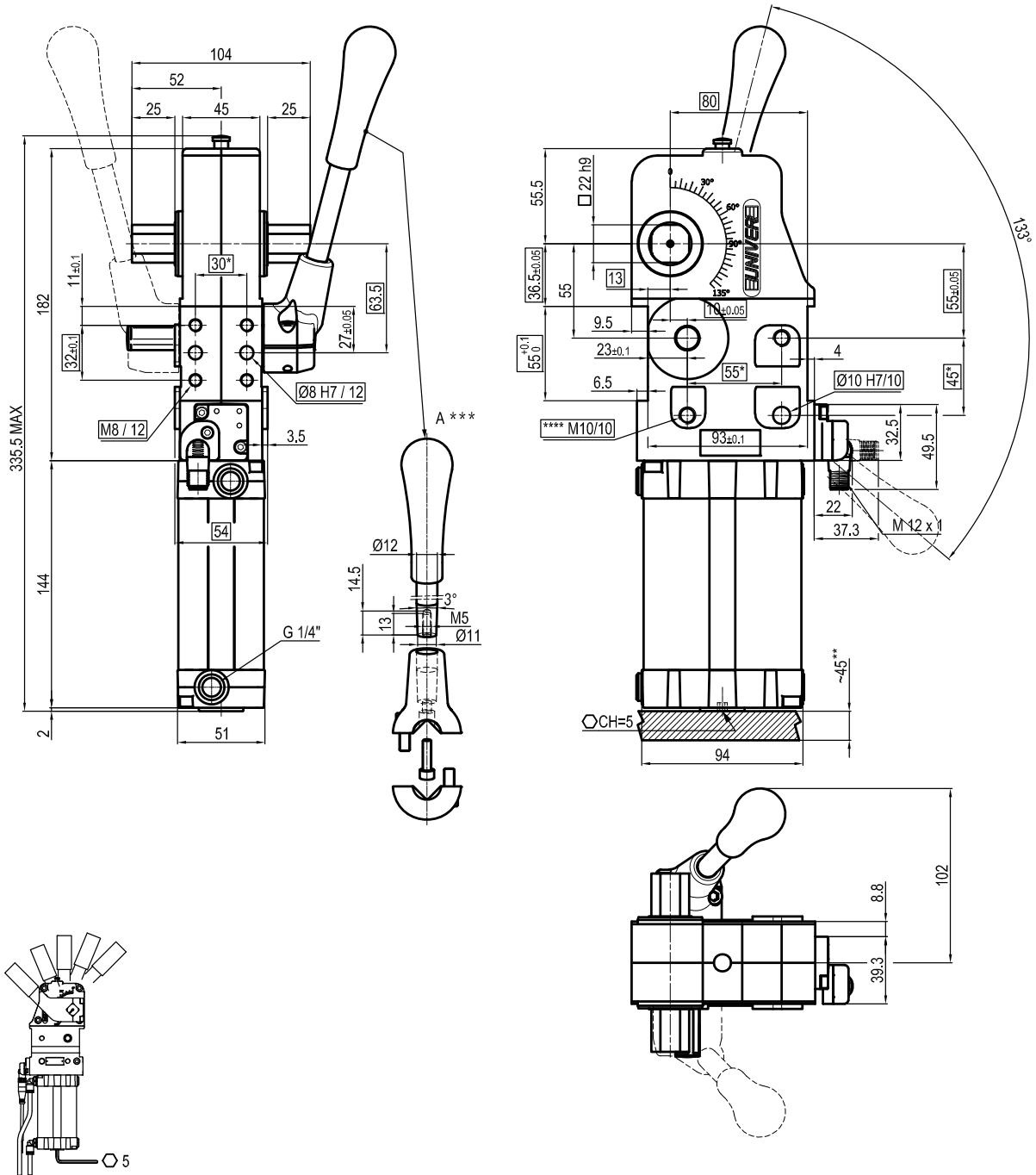
<b>7 Sensor</b>	<b>8 Port thread</b>	<b>9 Product Revision</b>
-----------------	----------------------	---------------------------

**N** = No sensor (with protection plate)  
**K** = PNP Electronic sensor (optical) (DF-K)

**G** = Gas  
**N** = NPT

Assigned by UNIVER

UCNM63NNKG0



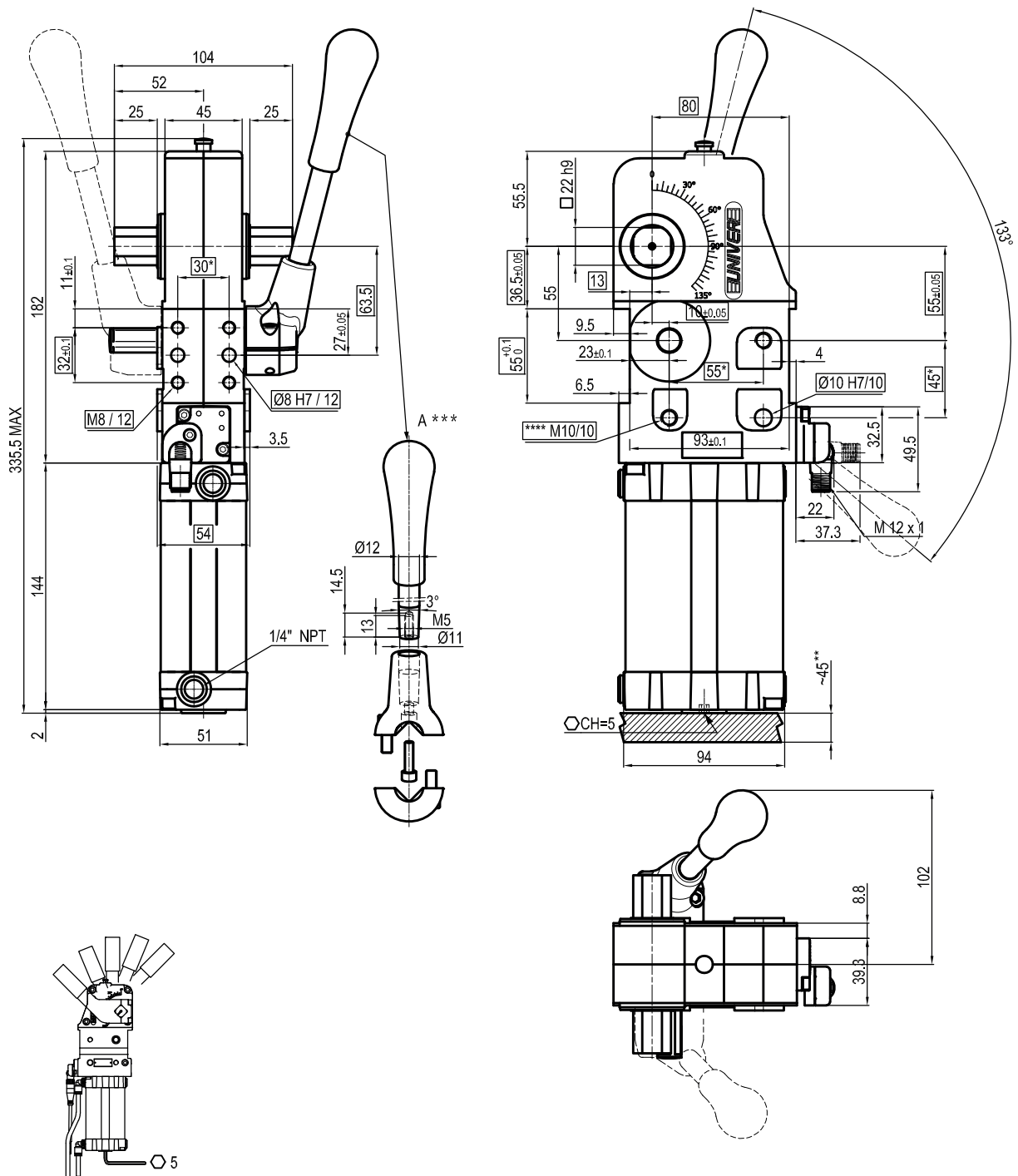
Bore Ø	Holding moment	Clamping moment (0,5 MPa)	Weight (clamping arm not included)
63 mm	1750 Nm	420 Nm	3,8 Kg

Min./Max. operating pressure: **0,4 / 0,6 MPa**  
 Operating temperature: **5° ÷ 45° C**  
 Opening angle: **adjustable**  
 Without arm  
 With manual lever  
 Electronic sensor with M12 swivel connector, from 0° to 90°, in steps of 10°  
 Supply voltage: 10 ÷ 30 Vdc  
 IP code: **IP 65**  
 Pneumatic ports on both sides

\* : TOLERANCE BETWEEN DOWELS ± 0,02, BETWEEN SCREW HOLES ± 0,1  
 \*\* : AREA TO ACCESS ANGLE ADJUSTMENT  
 \*\*\*: DIMENSIONS TO BE RESPECTED IN CASE OTHER MANUAL LEVERS ARE USED  
 \*\*\*\*: SCREW THREAD INSERT

Subject to technical modifications without notice

# UCNM63NNKN0



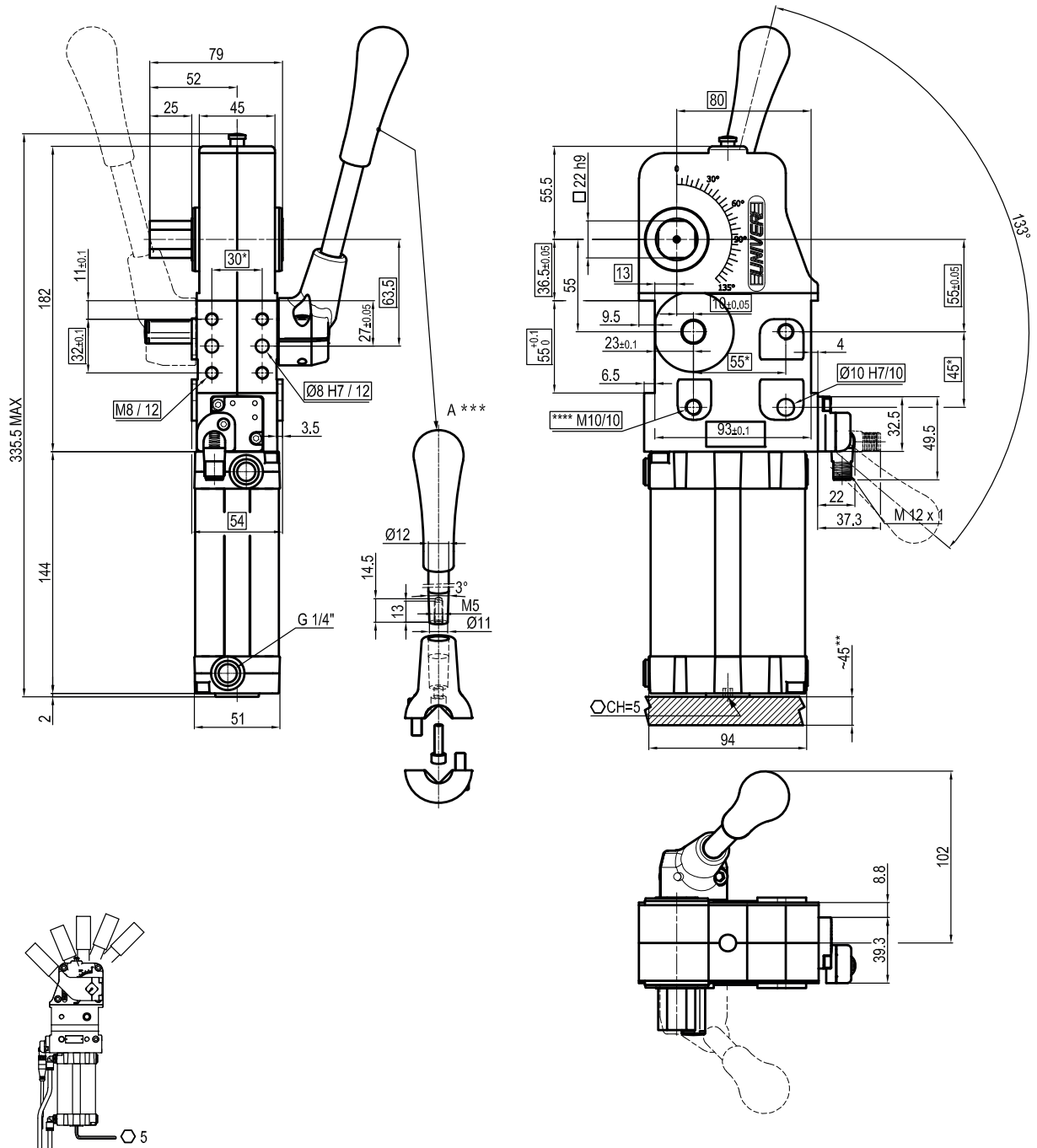
Bore Ø	Holding moment	Clamping moment (0,5 MPa)	Weight (clamping arm not included)
63 mm	1750 Nm	420 Nm	3,8 Kg

\* : TOLERANCE BETWEEN DOWELS ± 0,02, BETWEEN SCREW HOLES ± 0,1  
 \*\* : AREA TO ACCESS ANGLE ADJUSTMENT  
 \*\*\* : DIMENSIONS TO BE RESPECTED IN CASE OTHER MANUAL LEVERS ARE USED  
 \*\*\*\* : SCREW THREAD INSERT

Subject to technical modifications without notice

Min./Max. operating pressure: **0,4 / 0,6 MPa**  
 Operating temperature: **5° ÷ 45° C**  
 Opening angle: **adjustable**  
 Without arm  
 With manual lever  
 Electronic sensor with M12 swivel connector, from 0° to 90°, in steps of 10°  
 Supply voltage: 10 ÷ 30 Vdc  
 IP code: **IP 65**  
 Pneumatic ports on both sides

## UCNM63NLKG0



Bore Ø	Holding moment	Clamping moment (0,5 MPa)	Weight (clamping arm not included)
63 mm	1750 Nm	420 Nm	3,8 Kg

\* : TOLERANCE BETWEEN DOWELS  $\pm 0,02$ , BETWEEN SCREW HOLES  $\pm 0,1$

\*\* : AREA TO ACCESS ANGLE ADJUSTMENT

\*\*\*: DIMENSIONS TO BE RESPECTED IN CASE OTHER MANUAL LEVERS ARE USED

\*\*\*\*: SCREW THREAD INSERT

Subject to technical modifications without notice

Rev. 02 26.01.22

Min./Max. operating pressure: **0,4 / 0,6 MPa**

Operating temperature: **5° ÷ 45° C**

Opening angle: **adjustable**

Without arm

With manual lever

Electronic sensor with M12 swivel connector, from 0° to 90°

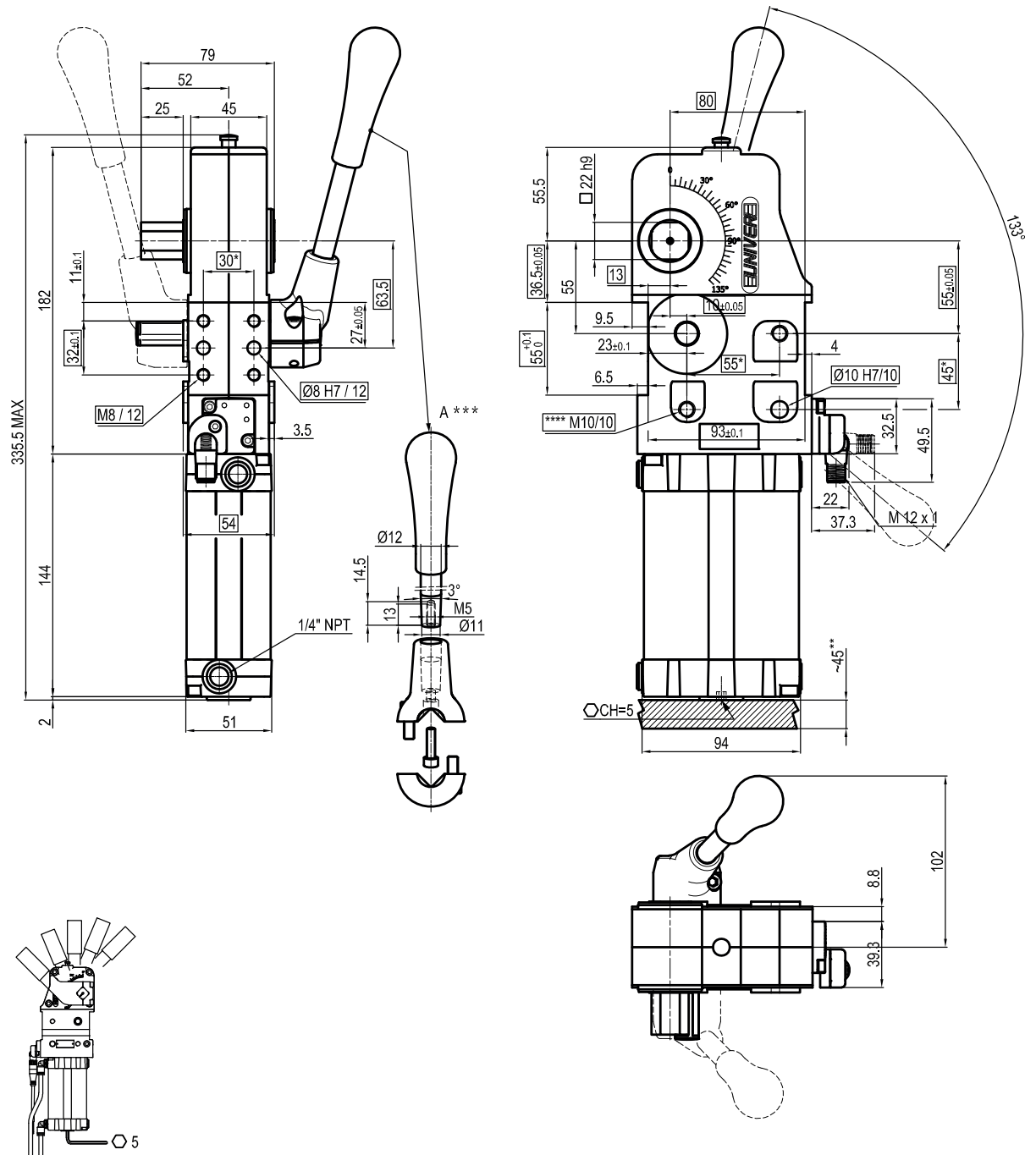
in steps of 10°

Supply voltage: 10 ÷ 30 Vdc

IP code: **IP 65**

Pneumatic ports on both sides

UCNM63NLKN0

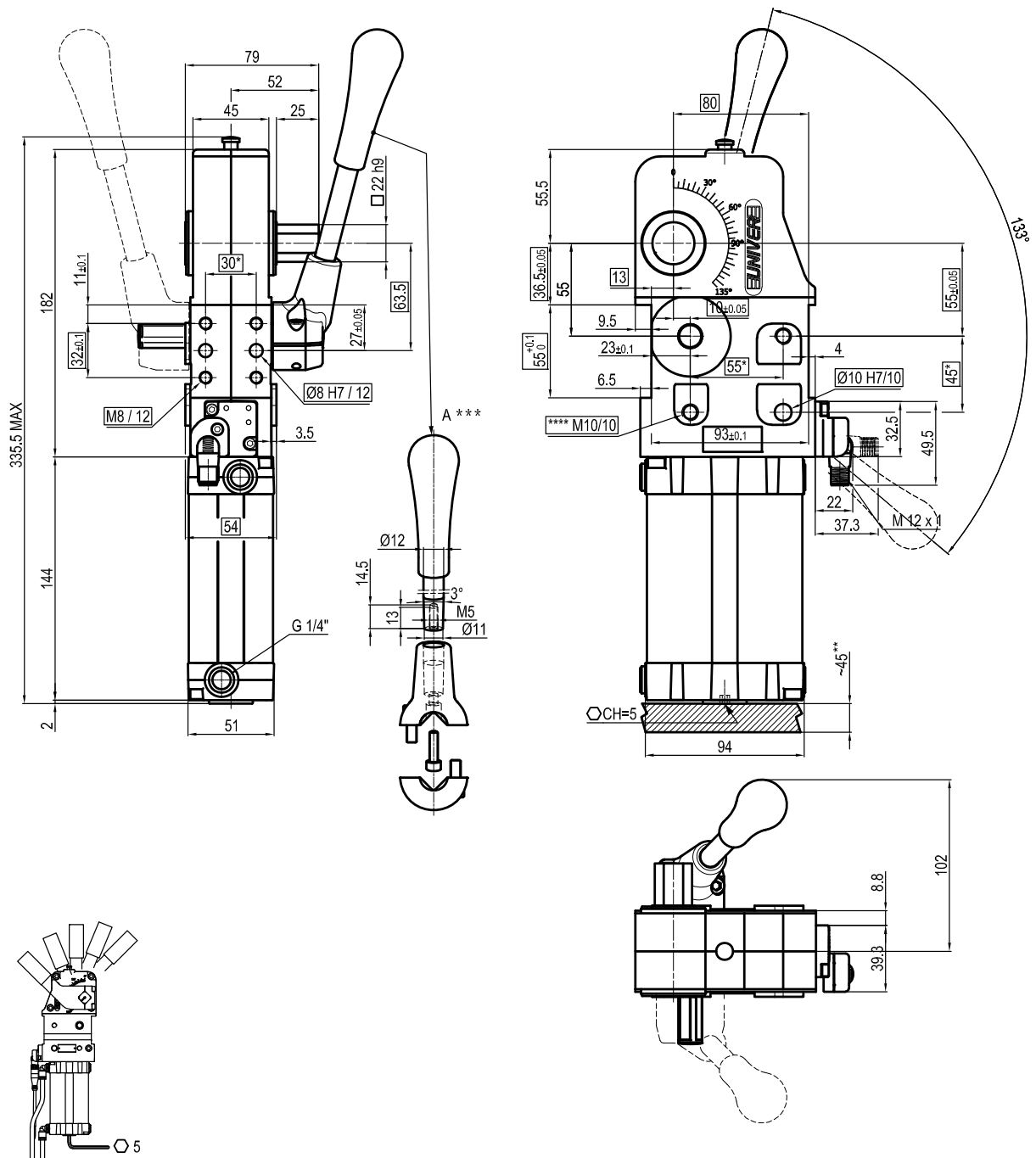


Bore Ø	Holding moment	Clamping moment (0,5 MPa)	Weight (clamping arm not included)
63 mm	1750 Nm	420 Nm	3,8 Kg

Min./Max. operating pressure: **0,4 / 0,6 MPa**  
 Operating temperature: **5° ÷ 45° C**  
 Opening angle: **adjustable**  
 Without arm  
 With manual lever  
 Electronic sensor with M12 swivel connector, from 0° to 90°, in steps of 10°  
 Supply voltage: 10 ÷ 30 Vdc  
 IP code: **IP 65**  
 Pneumatic ports on both sides

\* : TOLERANCE BETWEEN DOWELS ± 0,02, BETWEEN SCREW HOLES ± 0,1  
 \*\* : AREA TO ACCESS ANGLE ADJUSTMENT  
 \*\*\*: DIMENSIONS TO BE RESPECTED IN CASE OTHER MANUAL LEVERS ARE USED  
 \*\*\*\*: SCREW THREAD INSERT

Subject to technical modifications without notice

**UCNM63NRKG0**


Bore Ø	Holding moment	Clamping moment (0,5 MPa)	Weight (clamping arm not included)
63 mm	1750 Nm	420 Nm	3,8 Kg

\* : TOLERANCE BETWEEN DOWELS ± 0,02, BETWEEN SCREW HOLES ± 0,1

\*\* : AREA TO ACCESS ANGLE ADJUSTMENT

\*\*\*: DIMENSIONS TO BE RESPECTED IN CASE OTHER MANUAL LEVERS ARE USED

\*\*\*\*: SCREW THREAD INSERT

Subject to technical modifications without notice

Rev. 02 26.01.22

Min./Max. operating pressure: **0,4 / 0,6 MPa**

Operating temperature: **5° ÷ 45° C**

Opening angle: **adjustable**

Without arm

With manual lever

Electronic sensor with M12 swivel connector, from 0° to 90°

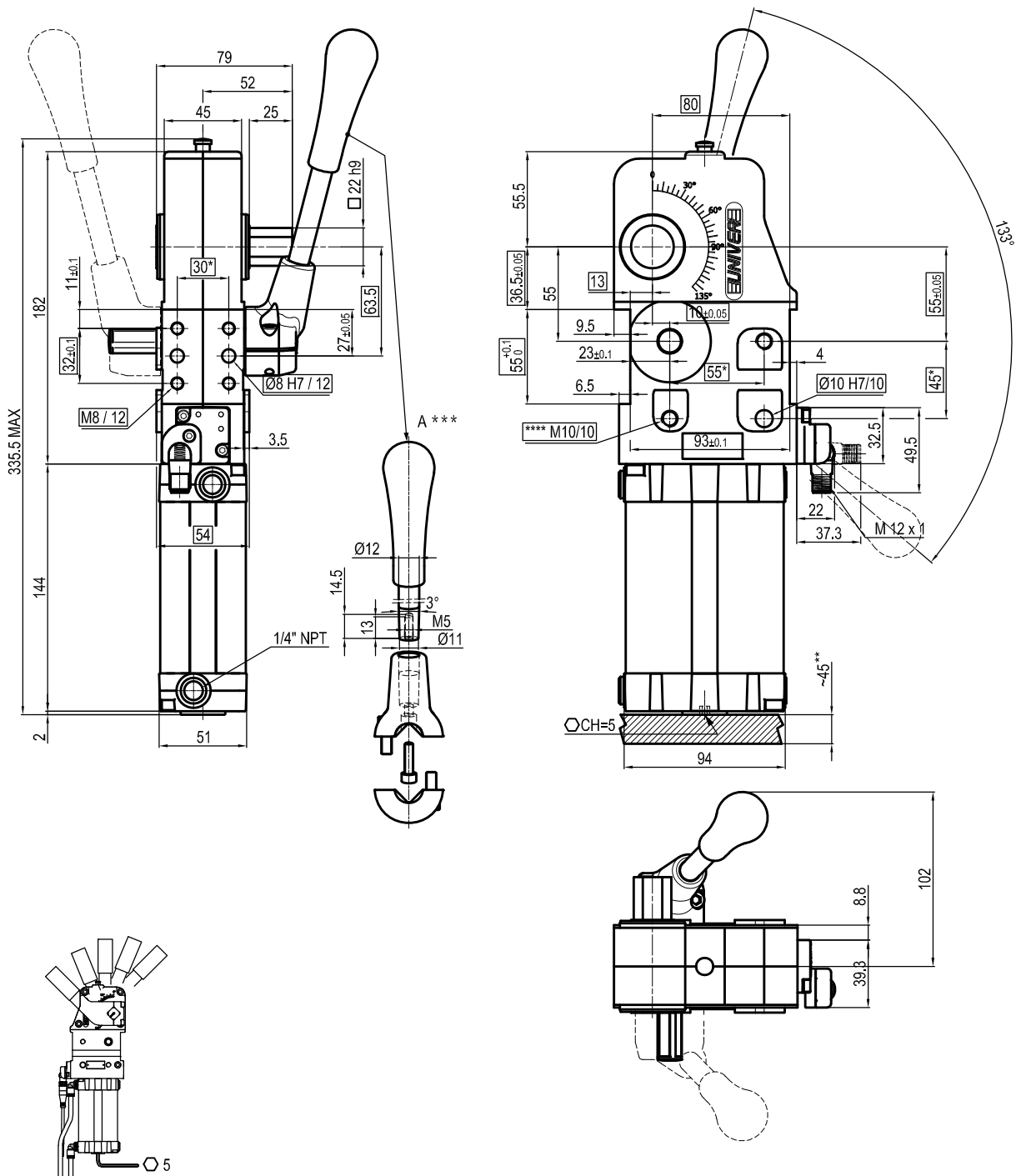
in steps of 10°

Supply voltage: 10 ÷ 30 Vdc

IP code: **IP 65**

Pneumatic ports on both sides

UCNM63NRKN0



Bore Ø	Holding moment	Clamping moment (0,5 MPa)	Weight (clamping arm not included)
63 mm	1750 Nm	420 Nm	3,8 Kg

\* : TOLERANCE BETWEEN DOWELS ± 0,02, BETWEEN SCREW HOLES ± 0,1

\*\* : AREA TO ACCESS ANGLE ADJUSTMENT

\*\*\*: DIMENSIONS TO BE RESPECTED IN CASE OTHER MANUAL LEVERS ARE USED

\*\*\*\*: SCREW THREAD INSERT

Subject to technical modifications without notice

Rev. 02 26.01.22

Min./Max. operating pressure: **0,4 / 0,6 MPa**

Operating temperature: **5° ÷ 45° C**

Opening angle: **adjustable**

Without arm  
With manual lever

Electronic sensor with M12 swivel connector, from 0° to 90°, in steps of 10°

Supply voltage: 10 ÷ 30 Vdc

IP code: **IP 65**

Pneumatic ports on both sides