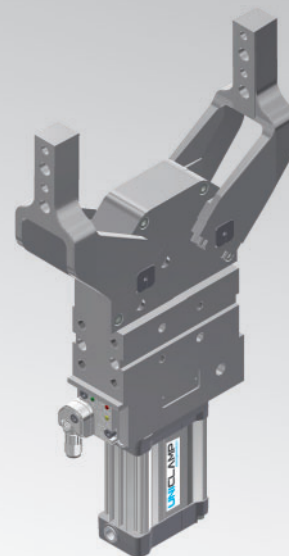


UCDP40

Unità di bloccaggio UNICLAMP a doppio pressore



U	C	D	P	4	0	D	A	A	K	0
1	2	3	4	5	6	7	8	9		

1 Serie	2 Standard	3 Versione	4 Taglia
---------	------------	------------	----------

UC = Unità di bloccaggio UNICLAMP

D = Doppio pressore con regolazione continua angolo d'apertura da: **0° to 180° Max**
L'angolo di apertura può variare a seconda della posizione dei pressori

P = Pneumatica

40 = Ø 40 mm

5 Caratteristiche del pressore	6 Tipo di pressore	7 Materiale pressore
--------------------------------	--------------------	----------------------

D = Doppio pressore

I = Pressore invertito (solo per 10 mm offset)

N = Senza pressore

A = Centrale, 10 mm Offset

B = Destro, 10 mm Offset

G = Sinistro, 10 mm Offset

C = Centrale, 15 mm Offset

D = Destro, 15 mm Offset

S = Sinistro, 15 mm Offset

E = Centrale, 45 mm Offset

F = Destro, 45 mm Offset

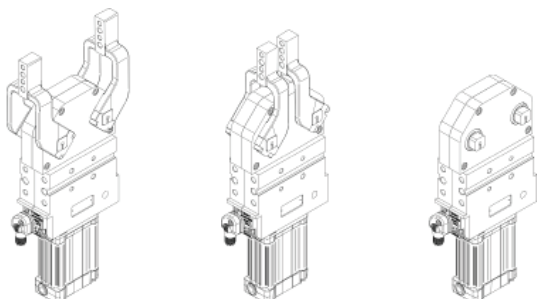
L = Sinistro, 45 mm Offset

N = Senza pressore

A = Alluminio

S = Acciaio

N = Senza pressore



8 Sensore	9 Revisione prodotto
-----------	----------------------

N = Senza sensore (con piastra di chiusura)

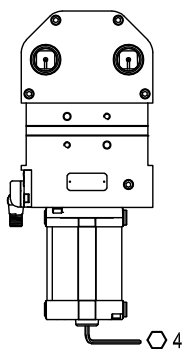
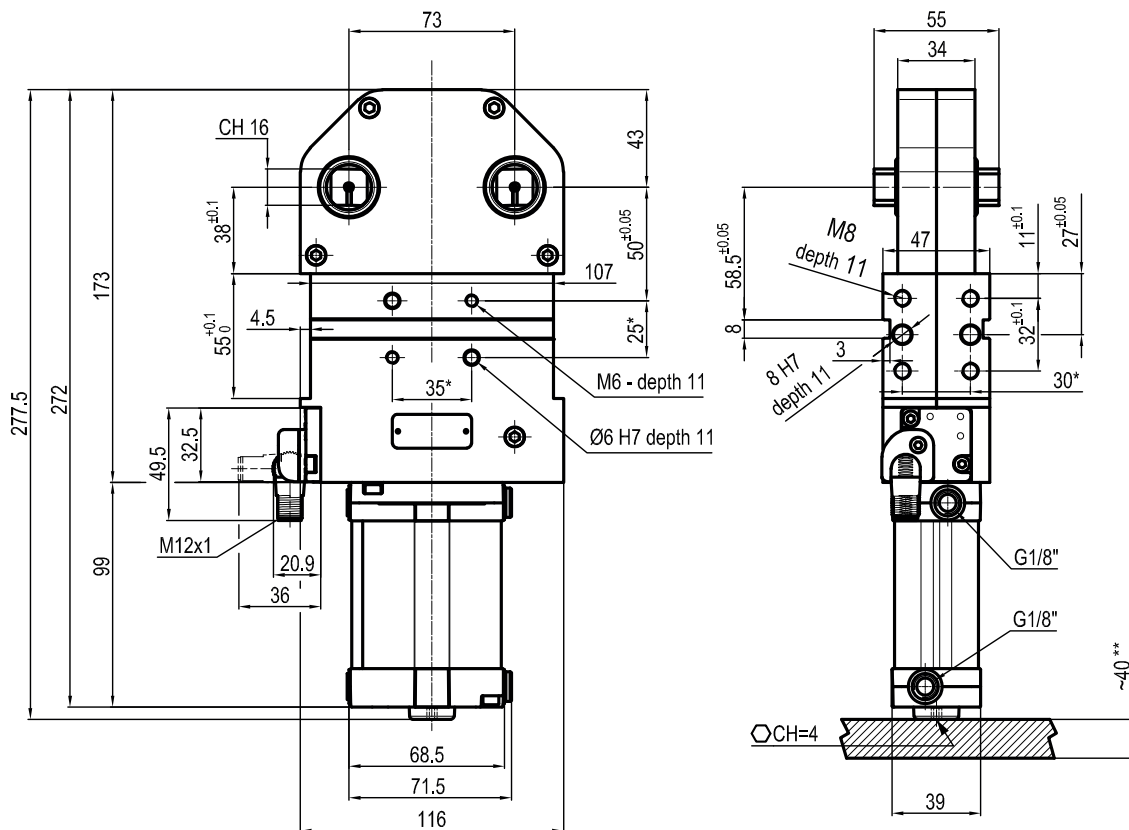
K = Sensore elettronico PNP (ottico) (DF-K)

D = Pneumatic sensor

J = Sensore elettronico NPN (ottico) (DF-J)

Y = Sensore elettronico PNP (ottico) (DF-Y)

Assegnato da UNIVER

UCDP40NNK0


Bore Ø	Clamping moment (0,5 MPa)	Weight (clamping arm not included)
40 mm	55 Nm	2,7 Kg

 Min./Max. operating pressure: **0,4 / 0,6 MPa**

 Operating temperature: **5° ÷ 45° C**

 Opening angle: **adjustable**

Electronic sensor with M12 swivel connector, from 0° to 90°, in steps of 10°

Supply voltage: 10 ÷ 30 Vdc

 IP code: **IP 65**

Pneumatic ports on both sides

*: TOLERANCE BETWEEN DOWELS ± 0,02, BETWEEN SCREW HOLES ± 0,1

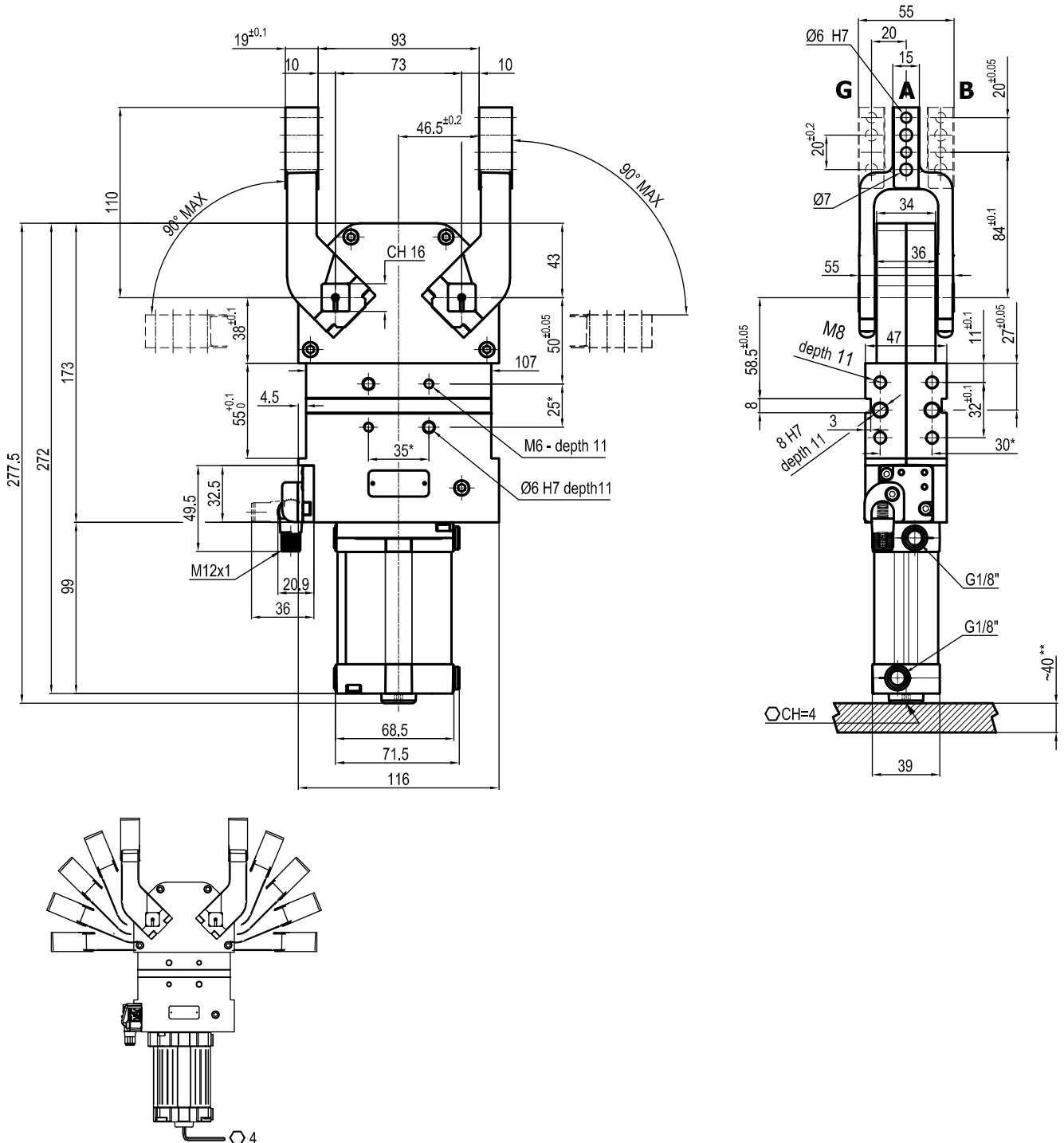
**: AREA TO ACCESS ANGLE ADJUSTMENT

Subject to technical modifications without notice

Rev. 01 22.09.21

UCDP40D__K0

10 mm



Bore Ø	Clamping moment (0,5 MPa)	Weight (clamping arm not included)
40 mm	55 Nm	2,7 Kg

Min./Max. operating pressure: **0,4 / 0,6 MPa**
 Operating temperature: **5° ÷ 45° C**
 Opening angle: **adjustable from 0° to 90°**
 Electronic sensor with M12 swivel connector, from 0° to 90°, in steps of 10°
 Supply voltage: 10 ÷ 30 Vdc
 IP code: **IP 65**
 Pneumatic ports on both sides

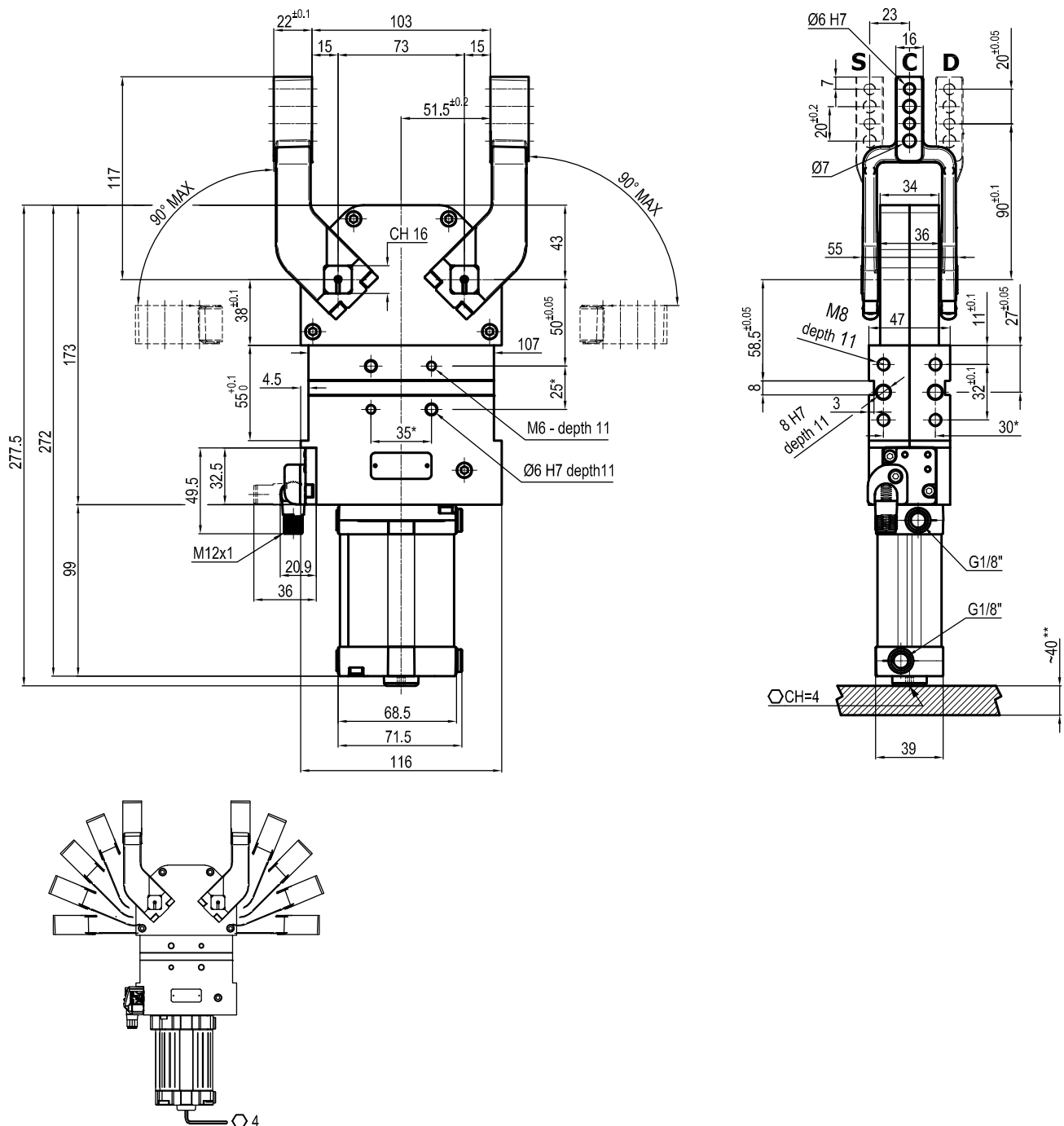
*: TOLERANCE BETWEEN DOWELS ± 0,02, BETWEEN SCREW HOLES ± 0,1
 **: AREA TO ACCESS ANGLE ADJUSTMENT

Subject to technical modifications without notice

Rev. 02 22.09.21

UCDP40D__K0

15 mm



Bore Ø	Clamping moment (0,5 MPa)	Weight (clamping arm not included)
40 mm	55 Nm	2,7 Kg

 Min./Max. operating pressure: **0,4 / 0,6 MPa**

 Operating temperature: **5° ÷ 45° C**

 Opening angle: **adjustable from 0° to 90°**

Electronic sensor with M12 swivel connector, from 0° to 90°, in steps of 10°

Supply voltage: 10 ÷ 30 Vdc

 IP code: **IP 65**

Pneumatic ports on both sides

*: TOLERANCE BETWEEN DOWELS ± 0,02, BETWEEN SCREW HOLES ± 0,1

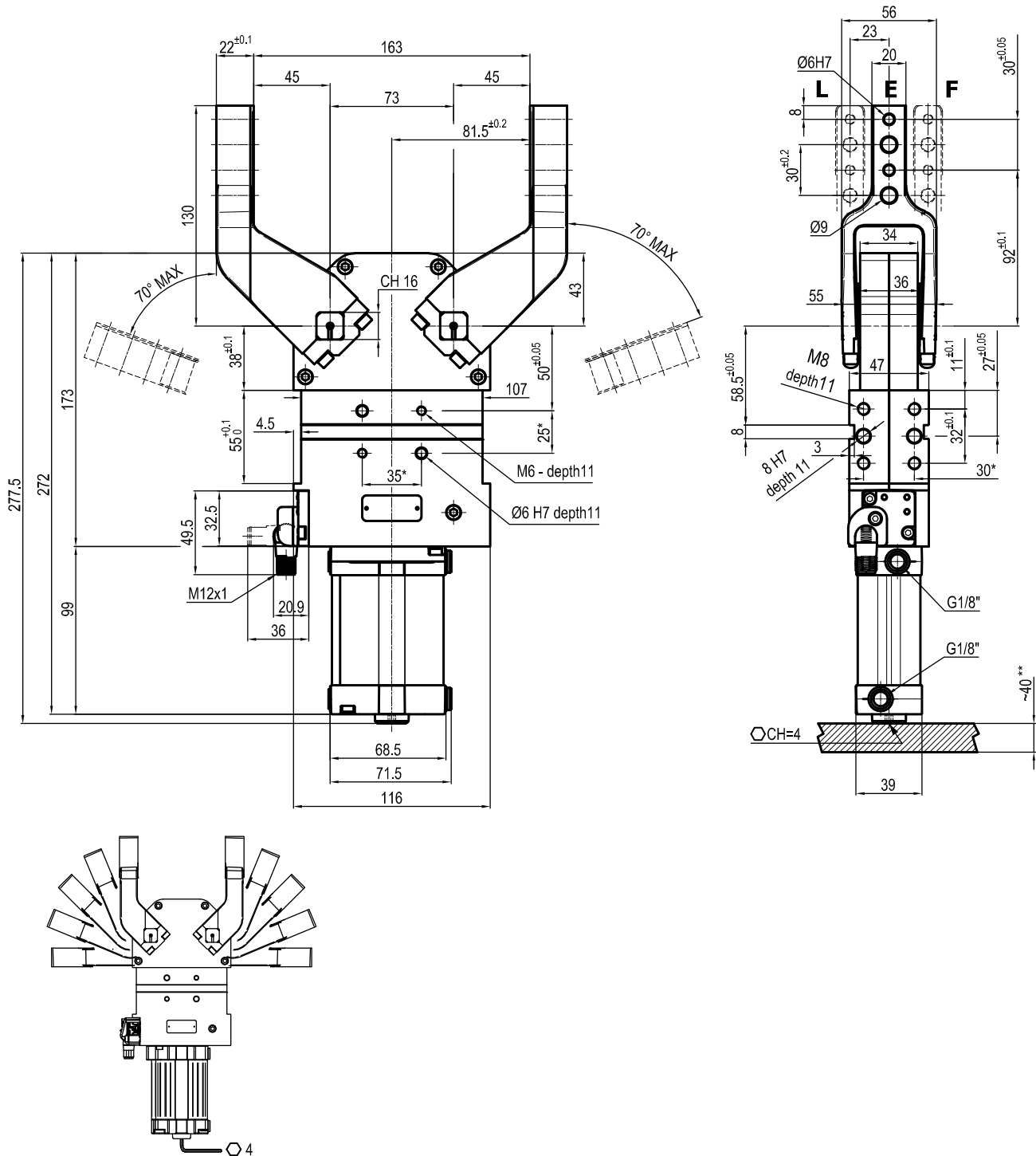
**: AREA TO ACCESS ANGLE ADJUSTMENT

Subject to technical modifications without notice

Rev. 01 22.09.21

UCDP40D__K0

45 mm



Bore Ø	Clamping moment (0,5 MPa)	Weight (clamping arm not included)
40 mm	55 Nm	2,7 Kg

 Min./Max. operating pressure: **0,4 / 0,6 MPa**

 Operating temperature: **5° ÷ 45° C**

 Opening angle: **adjustable from 0° to 70°**

Electronic sensor with M12 swivel connector, from 0° to 90°, in steps of 10°

Supply voltage: 10 ÷ 30 Vdc

 IP code: **IP 65**

Pneumatic ports on both sides

*: TOLERANCE BETWEEN DOWELS ± 0,02, BETWEEN SCREW HOLES ± 0,1

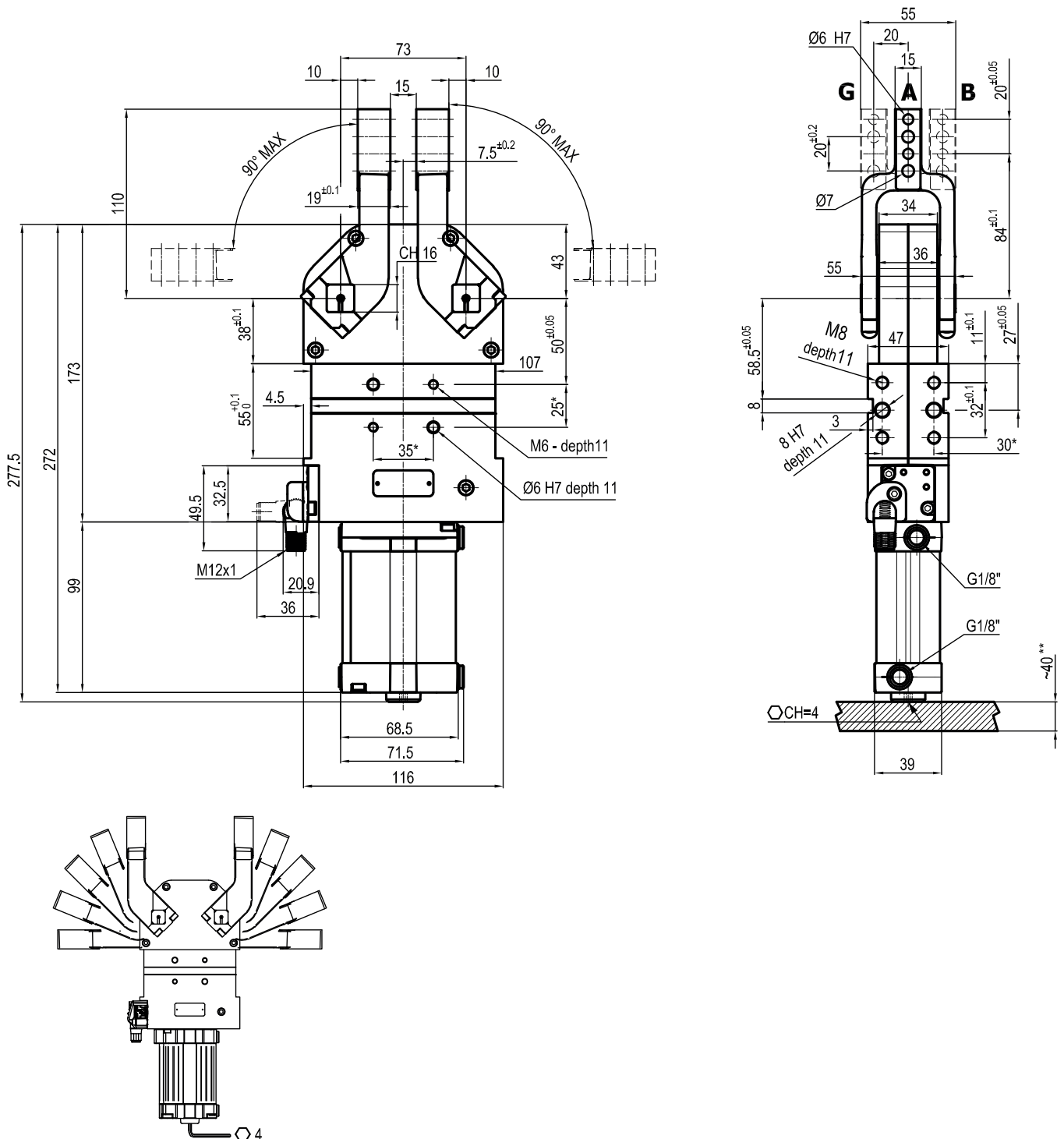
**: AREA TO ACCESS ANGLE ADJUSTMENT

Subject to technical modifications without notice

Rev. 02 22.09.21

UCDP40I__K0

10 mm



Bore Ø	Clamping moment (0,5 MPa)	Weight (clamping arm not included)
40 mm	55 Nm	2,7 Kg

 Min./Max. operating pressure: **0,4 / 0,6 MPa**

 Operating temperature: **5° ÷ 45° C**

 Opening angle: **adjustable from 0° to 90°**

 Electronic sensor with M12 swivel connector, from 0° to 90°,
in steps of 10°

Supply voltage: 10 ÷ 30 Vdc

 IP code: **IP 65**

Pneumatic ports on both sides

*: TOLERANCE BETWEEN DOWELS ± 0,02, BETWEEN SCREW HOLES ± 0,1

**: AREA TO ACCESS ANGLE ADJUSTMENT

Subject to technical modifications without notice

Rev. 02 22.09.21