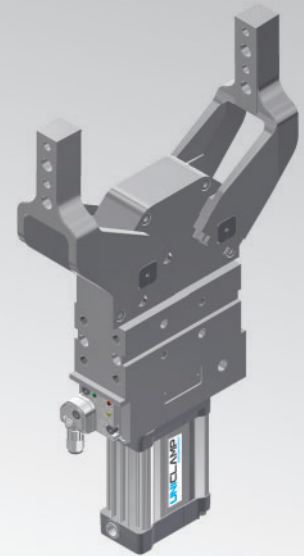


UCDP40

UNICLAMP Power clamps with double arm



U	C	D	P	4	0	D	A	A	K	0
1	2	3	4	5	6	7	8	9		

1 Series	2 Standard	3 Version	4 Size
----------	------------	-----------	--------

UC = UNICLAMP Power clamp

D = With double arm fully adjustable opening angle: 0° to 180° Max
The opening angle range may vary according to the arm position and style

P = Pneumatic

40 = Ø 40 mm

5 Arm position	6 Arm style	7 Arm type
----------------	-------------	------------

D = Double arm

I = Double arm overturned (only 10 mm offset)

N = No arm

A = Central, 10 mm Offset

B = Right, 10 mm Offset

G = Left, 10 mm Offset

C = Central, 15 mm Offset

D = Right, 15 mm Offset

S = Left, 15 mm Offset

E = Central, 45 mm Offset

F = Right, 45 mm Offset

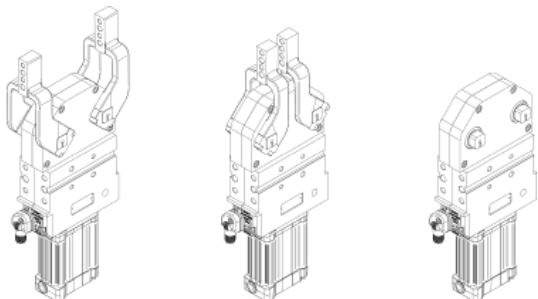
L = Left, 45 mm Offset

N = No arm

A = Aluminum

S = Steel

N = No arm



8 Sensor	9 Product revision
----------	--------------------

N = No sensor (with protection plate)

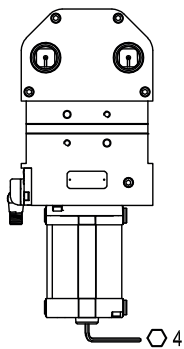
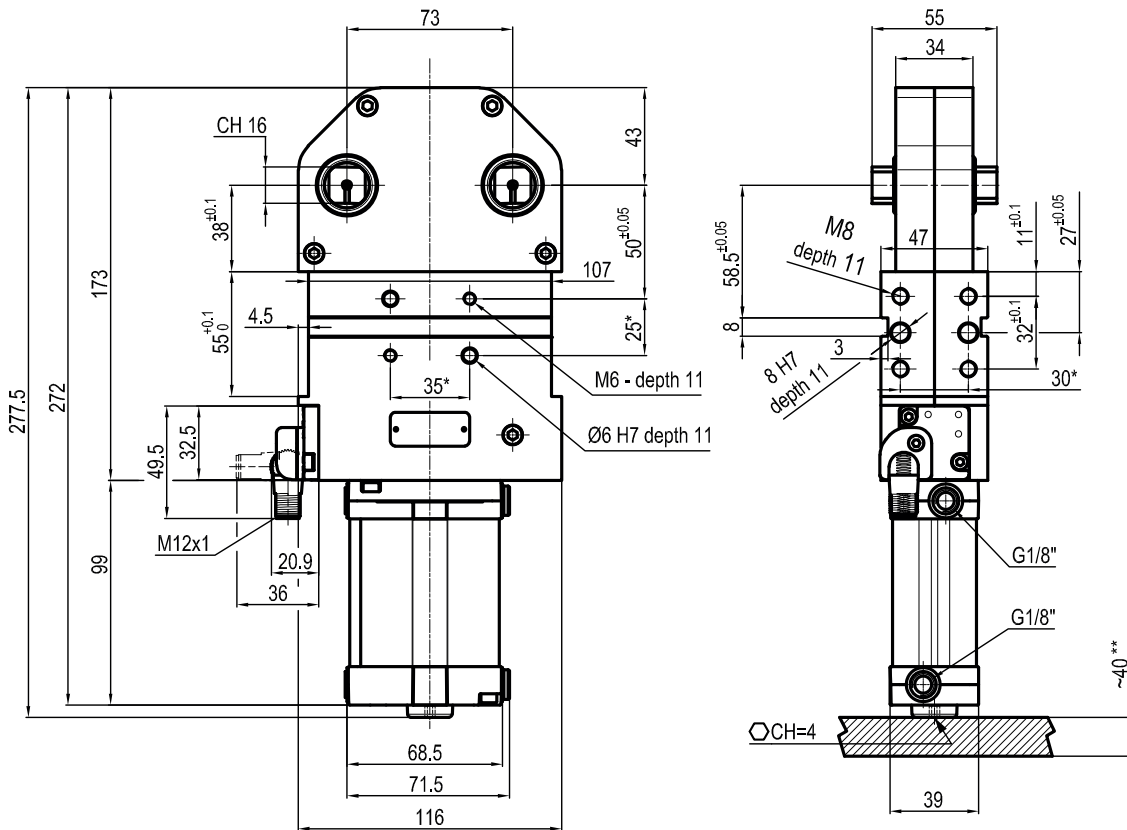
K = Electronic sensor PNP (optical) (DF-K)

D = Pneumatic Sensor

J = Electronic sensor NPN (optical) (DF-J)

Y = Electronic sensor PNP (optical) (DF-Y) white led

Assigned by UNIVER

UCDP40NNK0


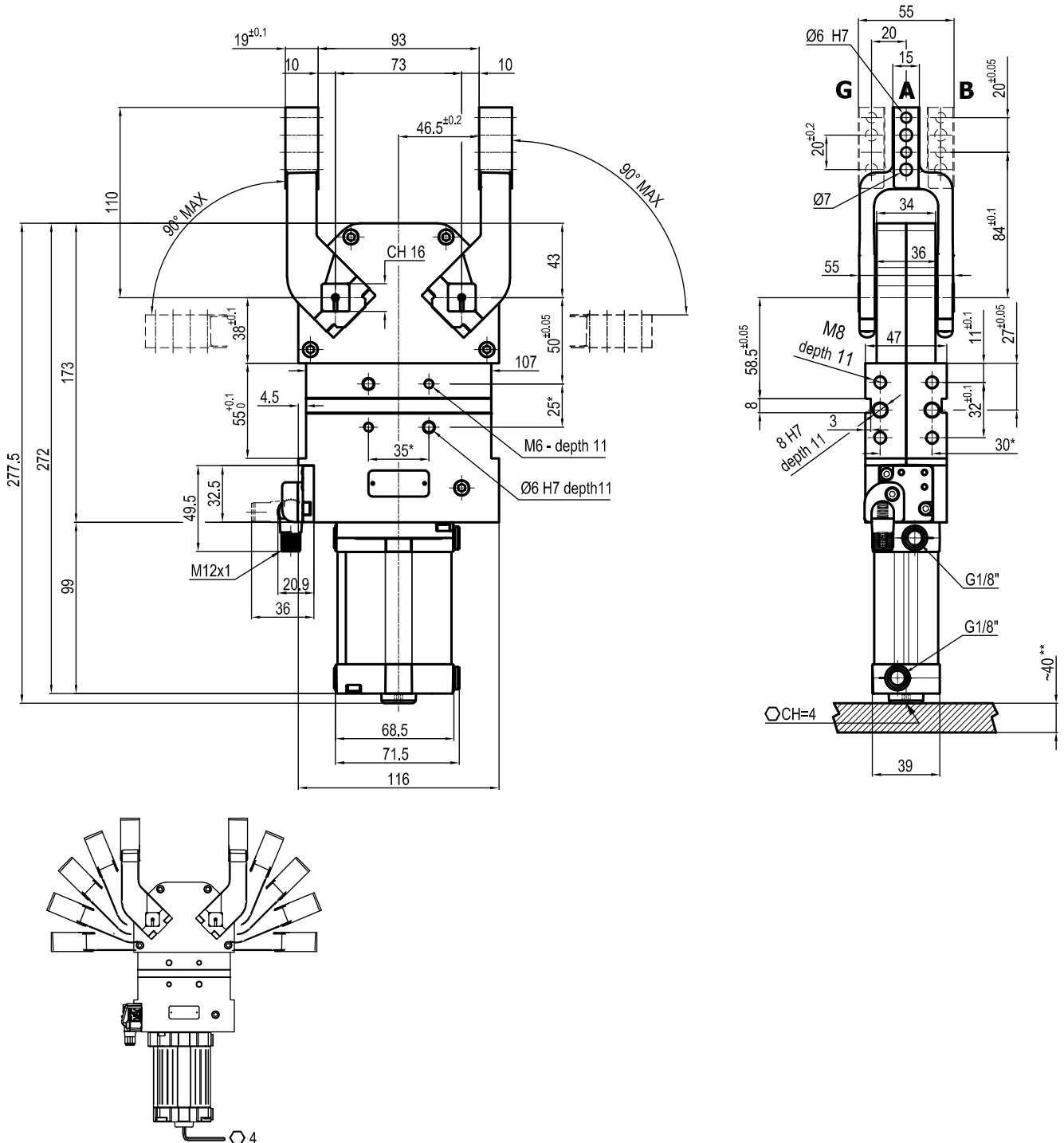
Bore Ø	Clamping moment (0,5 MPa)	Weight (clamping arm not included)
40 mm	55 Nm	2,7 Kg

Min./Max. operating pressure: **0,4 / 0,6 MPa**
 Operating temperature: **5° ÷ 45° C**
 Opening angle: **adjustable**
 Electronic sensor with M12 swivel connector, from 0° to 90°,
 in steps of 10°
 Supply voltage: 10 ÷ 30 Vdc
 IP code: **IP 65**
 Pneumatic ports on both sides

* : TOLERANCE BETWEEN DOWELS ± 0,02, BETWEEN SCREW HOLES ± 0,1
 ** : AREA TO ACCESS ANGLE ADJUSTMENT

UCDP40D__K0

10 mm



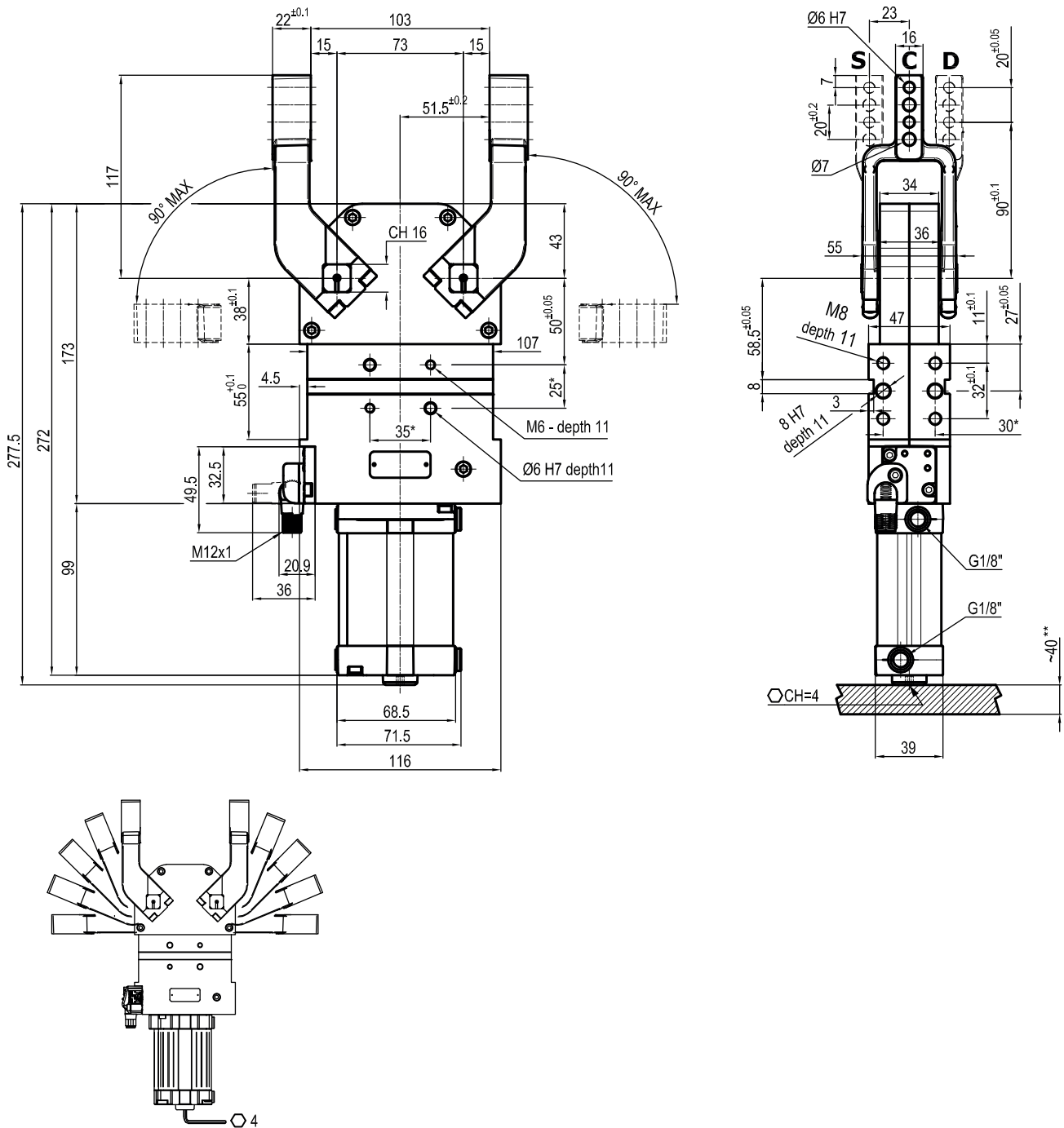
Bore Ø	Clamping moment (0,5 MPa)	Weight (clamping arm not included)
40 mm	55 Nm	2,7 Kg

Min./Max. operating pressure: **0,4 / 0,6 MPa**
 Operating temperature: **5° ÷ 45° C**
 Opening angle: **adjustable from 0° to 90°**
 Electronic sensor with M12 swivel connector, from 0° to 90°, in steps of 10°
 Supply voltage: 10 ÷ 30 Vdc
 IP code: **IP 65**
 Pneumatic ports on both sides

*: TOLERANCE BETWEEN DOWELS ± 0,02, BETWEEN SCREW HOLES ± 0,1
 **: AREA TO ACCESS ANGLE ADJUSTMENT

UCDP40D__K0

15 mm



Bore Ø	Clamping moment (0,5 MPa)	Weight (clamping arm not included)
40 mm	55 Nm	2,7 Kg

Min./Max. operating pressure: **0,4 / 0,6 MPa**
 Operating temperature: **5° ÷ 45° C**
 Opening angle: **adjustable from 0° to 90°**
 Electronic sensor with M12 swivel connector, from 0° to 90°, in steps of 10°
 Supply voltage: 10 ÷ 30 Vdc
 IP code: **IP 65**
 Pneumatic ports on both sides

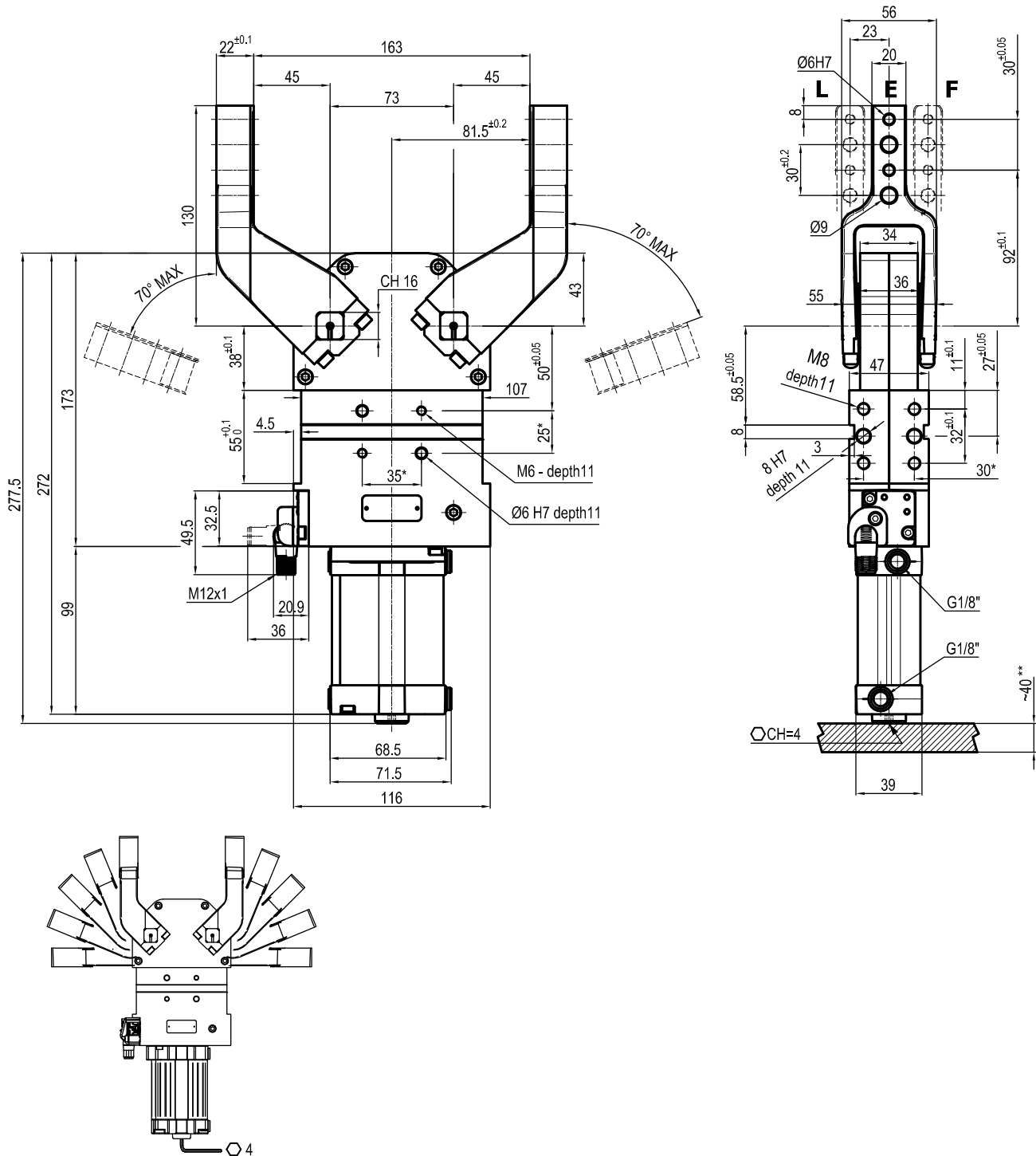
*: TOLERANCE BETWEEN DOWELS ± 0,02, BETWEEN SCREW HOLES ± 0,1
 **: AREA TO ACCESS ANGLE ADJUSTMENT

Subject to technical modifications without notice

Rev. 01 22.09.21

UCDP40D__K0

45 mm



Bore Ø	Clamping moment (0,5 MPa)	Weight (clamping arm not included)
40 mm	55 Nm	2,7 Kg

 Min./Max. operating pressure: **0,4 / 0,6 MPa**

 Operating temperature: **5° ÷ 45° C**

 Opening angle: **adjustable from 0° to 70°**

Electronic sensor with M12 swivel connector, from 0° to 90°, in steps of 10°

Supply voltage: 10 ÷ 30 Vdc

 IP code: **IP 65**

Pneumatic ports on both sides

*: TOLERANCE BETWEEN DOWELS ± 0,02, BETWEEN SCREW HOLES ± 0,1

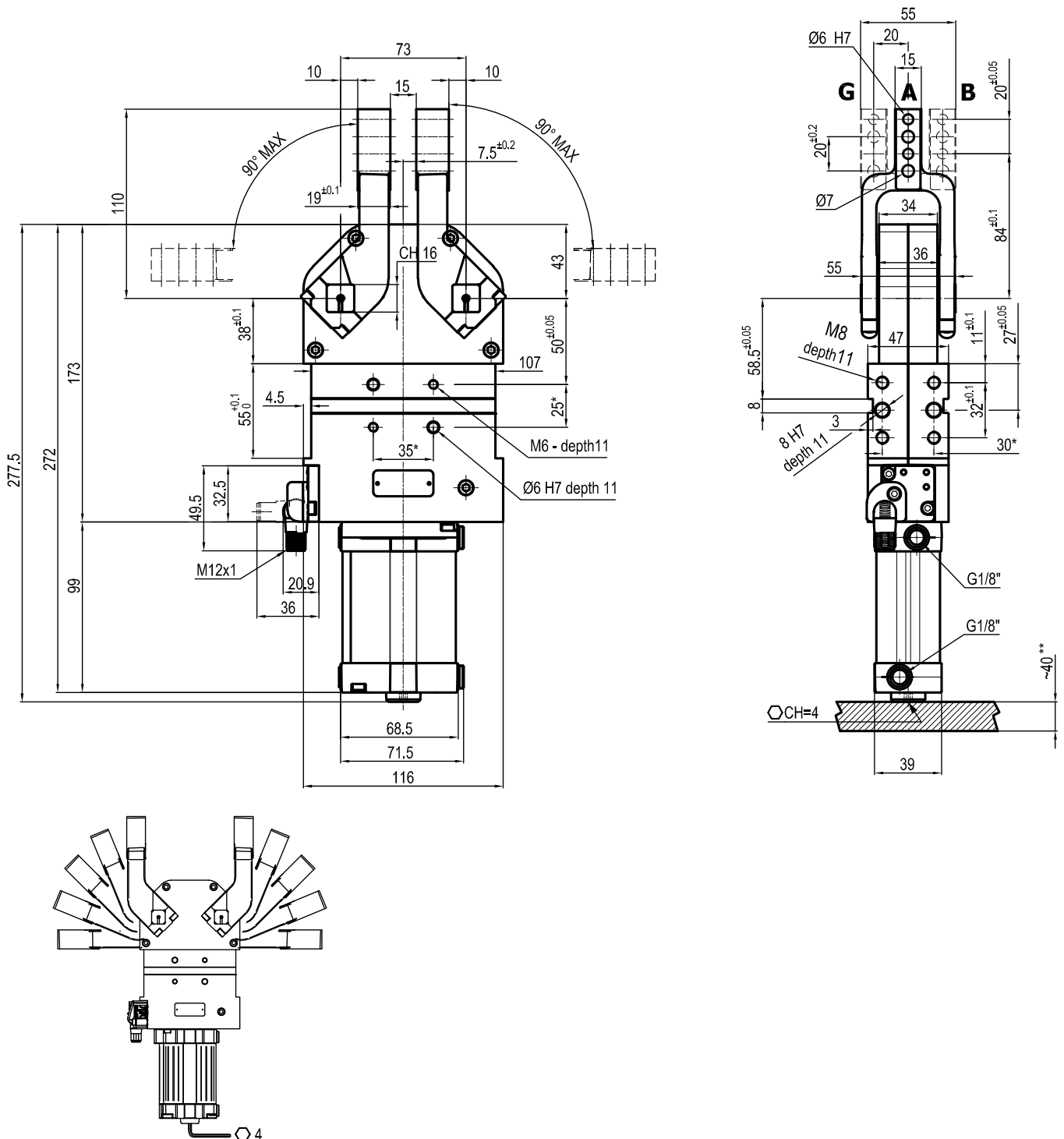
**: AREA TO ACCESS ANGLE ADJUSTMENT

Subject to technical modifications without notice

Rev. 02 22.09.21

UCDP40I__K0

10 mm



Bore Ø	Clamping moment (0,5 MPa)	Weight (clamping arm not included)
40 mm	55 Nm	2,7 Kg

 Min./Max. operating pressure: **0,4 / 0,6 MPa**

 Operating temperature: **5° ÷ 45° C**

 Opening angle: **adjustable from 0° to 90°**

Electronic sensor with M12 swivel connector, from 0° to 90°, in steps of 10°

Supply voltage: 10 ÷ 30 Vdc

 IP code: **IP 65**

Pneumatic ports on both sides

*: TOLERANCE BETWEEN DOWELS ± 0,02, BETWEEN SCREW HOLES ± 0,1

**: AREA TO ACCESS ANGLE ADJUSTMENT

Subject to technical modifications without notice

Rev. 02 22.09.21