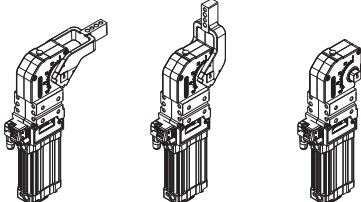


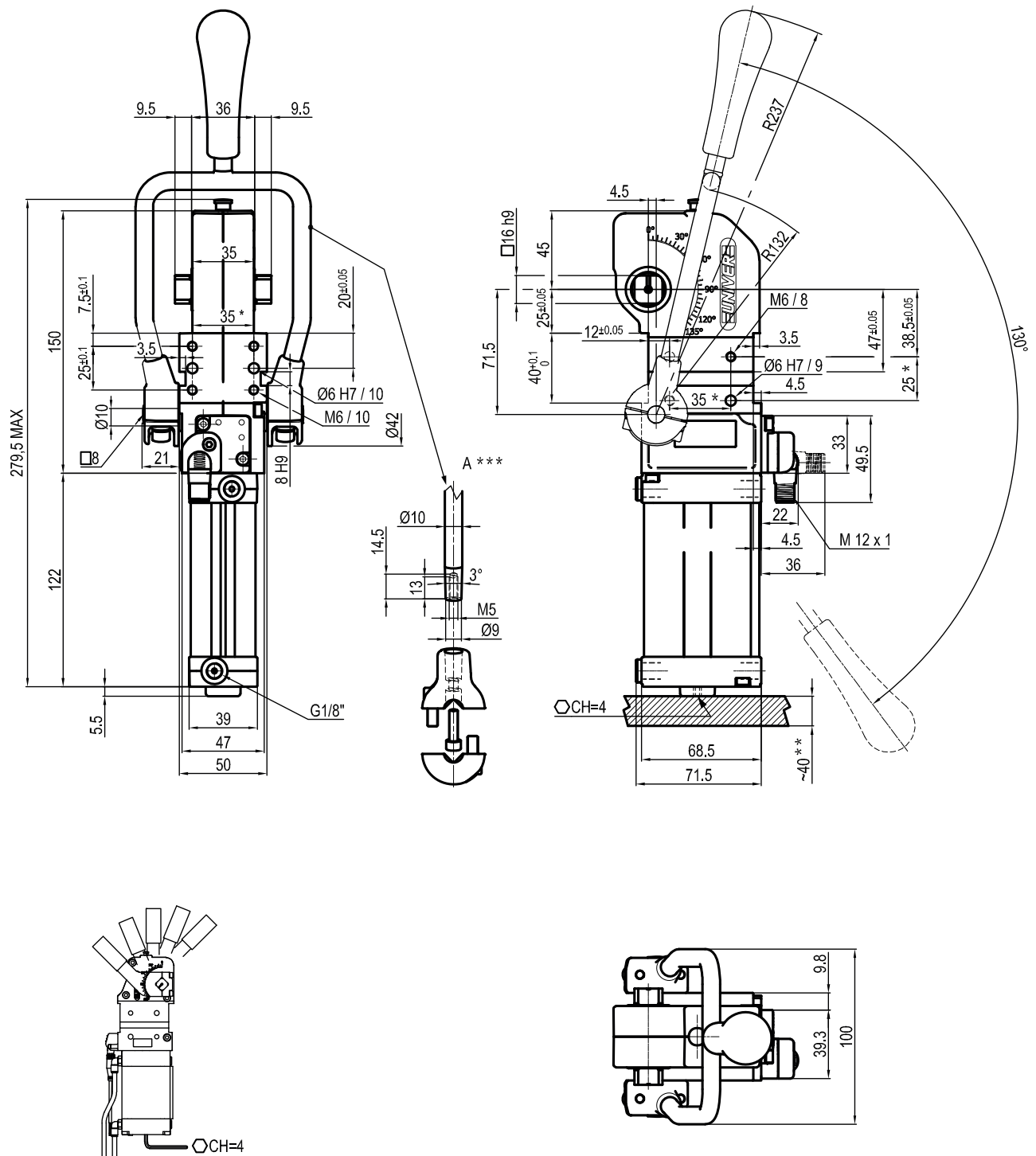
UCBT40

Unità di bloccaggio UNICLAMP



U	C	B	T	4	0	O	E	A	K	0
1	2	3	4	5	6	7	8	9		

<p>1 Serie</p> <p>UC = Unità di bloccaggio UNICLAMP con regolazione continua angolo d'apertura da: 0° a 135° Max L'angolo di apertura può variare a seconda della posizione e della tipologia del pressore</p>	<p>2 Standard</p> <p>B = Standard Europeo</p>	<p>3 Versione</p> <p>T = Pneumatica con leva manuale centrale</p>	<p>4 Taglia</p> <p>40 = Ø 40 mm</p>
<p>5 Posizione pressore</p> <p>V = 90° O = 180° N = Senza pressore</p> 	<p>6 Tipo di pressore</p> <p>B* = Centrale, 0 mm Offset X* = Centrale, fori spina maggiorati Ø 8 H7, 15 mm offset I* = Destro, 0 mm Offset Y* = Destro, fori spina maggiorati Ø 8 H7, 15 mm offset J* = Sinistro, 0 mm Offset Z* = Sinistro, fori spina maggiorati Ø 8 H7, 15 mm offset C = Centrale, 15 mm Offset D = Destro, 15 mm Offset N = Senza pressore S = Sinistro, 15 mm Offset E = Centrale, 45 mm Offset F = Destro, 45 mm Offset L = Sinistro, 45 mm Offset * = Disponibili su richiesta</p>		
<p>7 Materiale pressore</p> <p>A = Alluminio S = Acciaio N = Senza pressore</p>	<p>8 Sensore</p> <p>N = Senza sensore (con piastra di chiusura) K = Sensore elettronico PNP (ottico) (DF-K) D = Pneumatic sensor J = Sensore elettronico NPN (ottico) (DF-J) Y = Sensore elettronico PNP (ottico) (DF-Y) led bianco</p>	<p>9 Revisione prodotto</p> <p>Assegnato da UNIVER</p>	

UCBT40NNNK0


Bore Ø	Holding moment	Clamping moment (0,5 MPa)	Weight (clamping arm not included)
40 mm	600 Nm	170 Nm	2,1 Kg

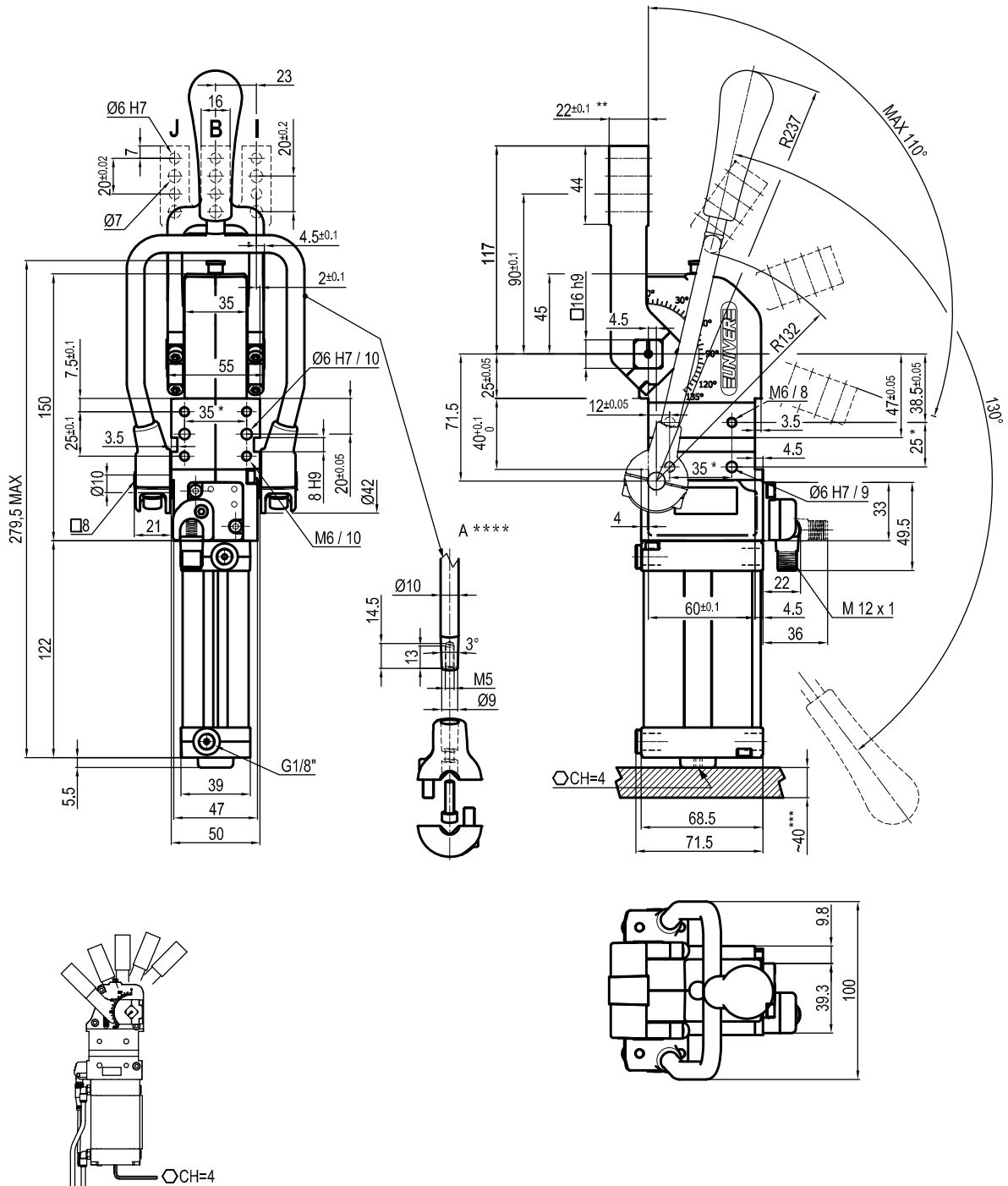
* : TOLERANCE BETWEEN DOWELS $\pm 0,02$, BETWEEN SCREW HOLES $\pm 0,1$
 ** : AREA TO ACCESS ANGLE ADJUSTMENT
 *** : DIMENSIONS TO BE RESPECTED IN CASE OTHER MANUAL LEVERS ARE USED

Min./Max. operating pressure: **0,4 / 0,6 MPa**
 Operating temperature: **5° ÷ 45° C**
 Opening angle: **adjustable**
 Without arm
 With hand lever
 Electronic sensor with M12 swivel connector, from 0° to 90°, in steps of 10°
 Supply voltage: 10 ÷ 30 Vdc
 IP code: **IP 65**
 Pneumatic ports on both sides

Subject to technical modifications without notice

UCBT400 __K0

0 mm



Bore Ø	Holding moment	Clamping moment (0,5 MPa)	Weight (clamping arm not included)
40 mm	600 Nm	170 Nm	2,1 Kg

 Min./Max. operating pressure: **0,4 / 0,6 MPa**

 Operating temperature: **5° ÷ 45° C**

 Opening angle: **adjustable from 0° to 110°**

 Arm position: **180°**

With hand lever

Electronic sensor with M12 swivel connector, from 0° to 90°, in steps of 10°

Supply voltage: 10 ÷ 30 Vdc

 IP code: **IP 65**

Pneumatic ports on both sides

*: TOLERANCE BETWEEN DOWELS ± 0,02, BETWEEN SCREW HOLES ± 0,1

**: TOLERANCE AT 80 mm FROM PIVOT POINT

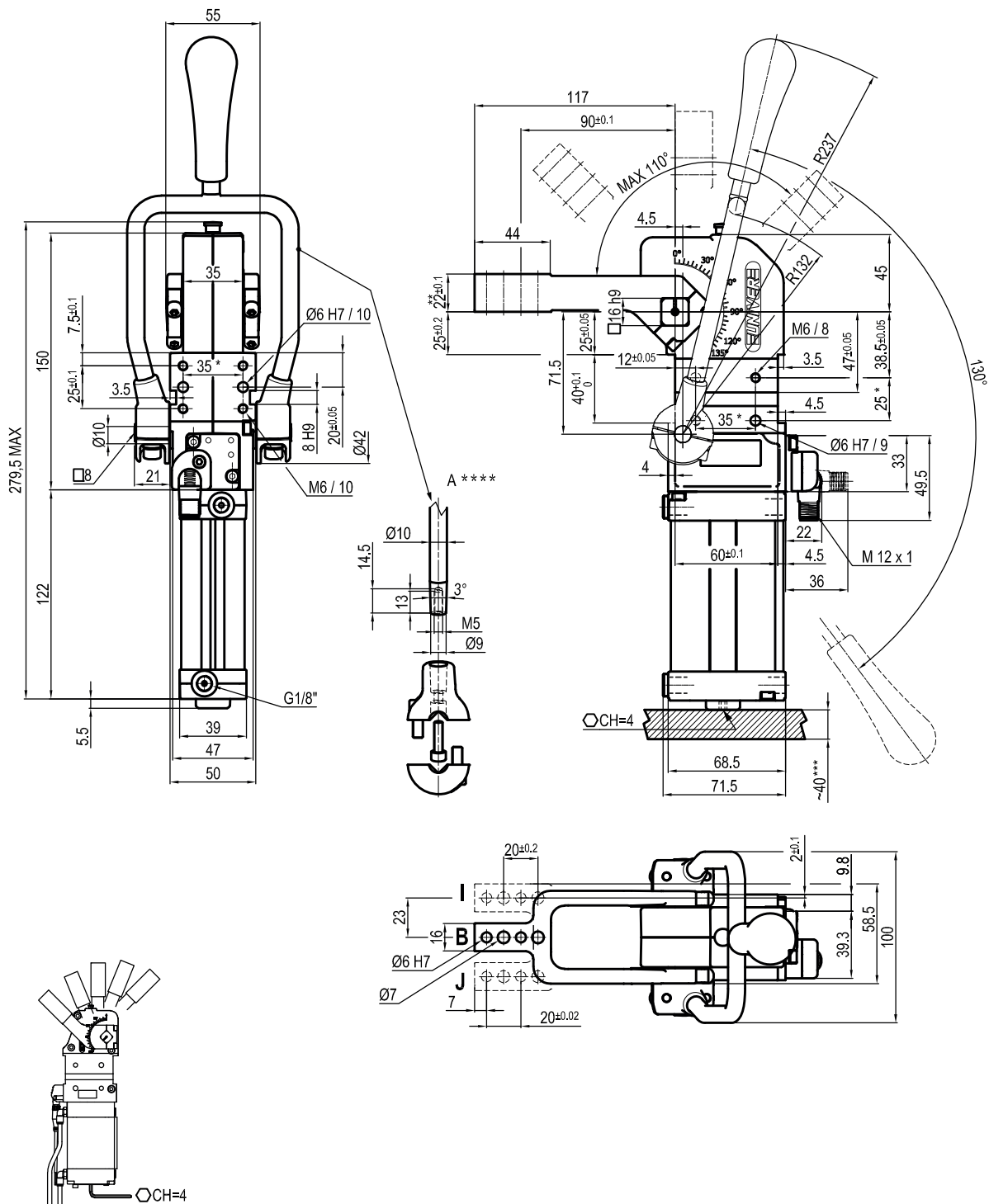
***: AREA TO ACCESS ANGLE ADJUSTMENT

****: DIMENSIONS TO BE RESPECTED IN CASE OTHER MANUAL LEVERS ARE USED

Subject to technical modifications without notice

UCBT40V__K0

0 mm



Bore Ø	Holding moment	Clamping moment (0,5 MPa)	Weight (clamping arm not included)
40 mm	600 Nm	170 Nm	2,1 Kg

 Min./Max. operating pressure: **0,4 / 0,6 MPa**

 Operating temperature: **5° ÷ 45° C**

 Opening angle: **adjustable from 0° to 110°**

 Arm position: **90°**

With hand lever

Electronic sensor with M12 swivel connector, from 0° to 90°,

in steps of 10°

Supply voltage: 10 ÷ 30 Vdc

 IP code: **IP 65**

Pneumatic ports on both sides

*: TOLERANCE BETWEEN DOWELS ± 0,02, BETWEEN SCREW HOLES ± 0,1

**: TOLERANCE AT 80 mm FROM PIVOT POINT

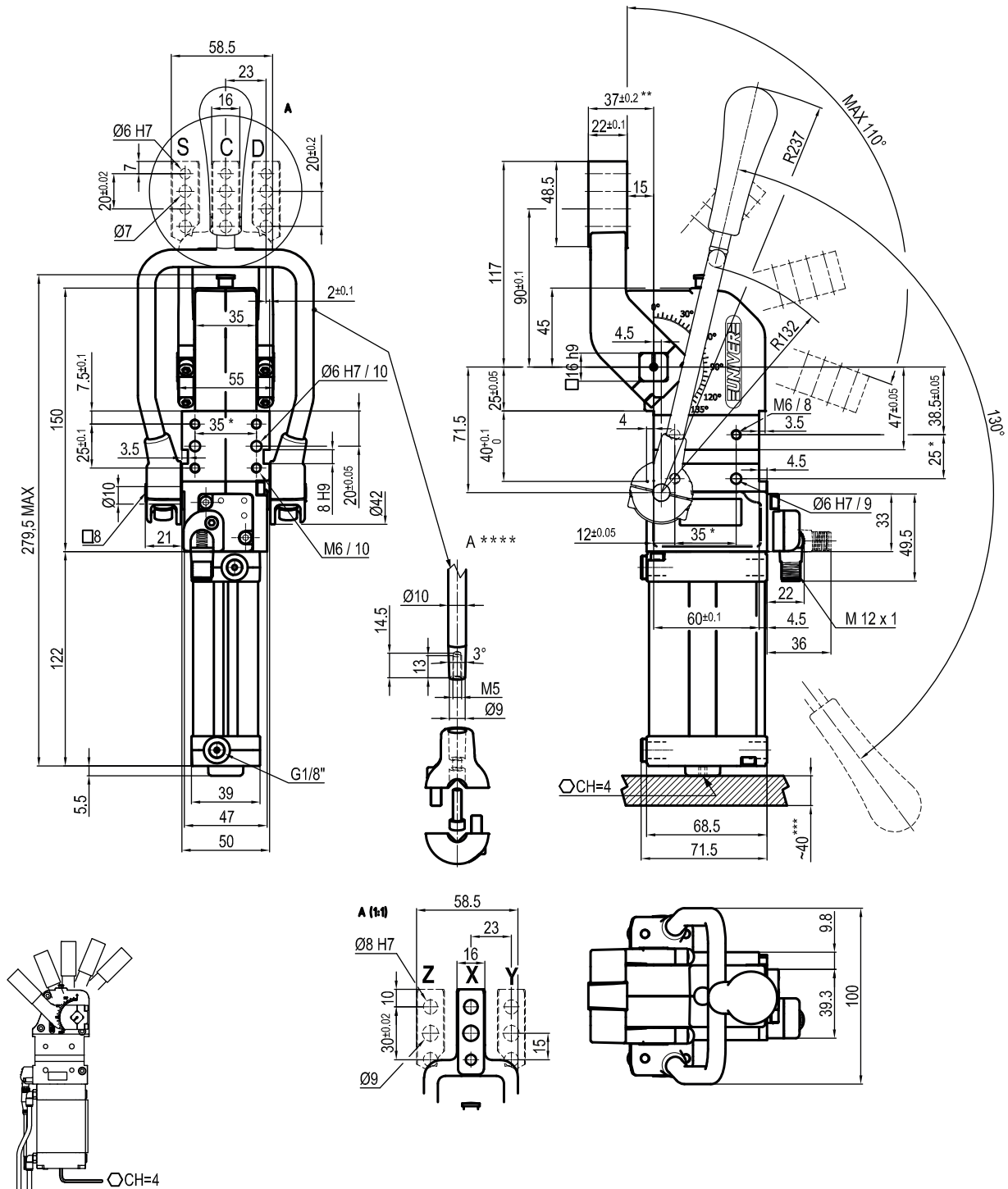
***: AREA TO ACCESS ANGLE ADJUSTMENT

****: DIMENSIONS TO BE RESPECTED IN CASE OTHER MANUAL LEVERS ARE USED

Subject to technical modifications without notice

UCBT400 __K0

15 mm



Bore Ø	Holding moment	Clamping moment (0,5 MPa)	Weight (clamping arm not included)
40 mm	600 Nm	170 Nm	2,1 Kg

 Min./Max. operating pressure: **0,4 / 0,6 MPa**

 Operating temperature: **5° ÷ 45° C**

 Opening angle: **adjustable from 0° to 110°**

 Arm position: **180°**

With hand lever

Electronic sensor with M12 swivel connector, from 0° to 90°,

in steps of 10°

Supply voltage: 10 ÷ 30 Vdc

 IP code: **IP 65**

Pneumatic ports on both sides

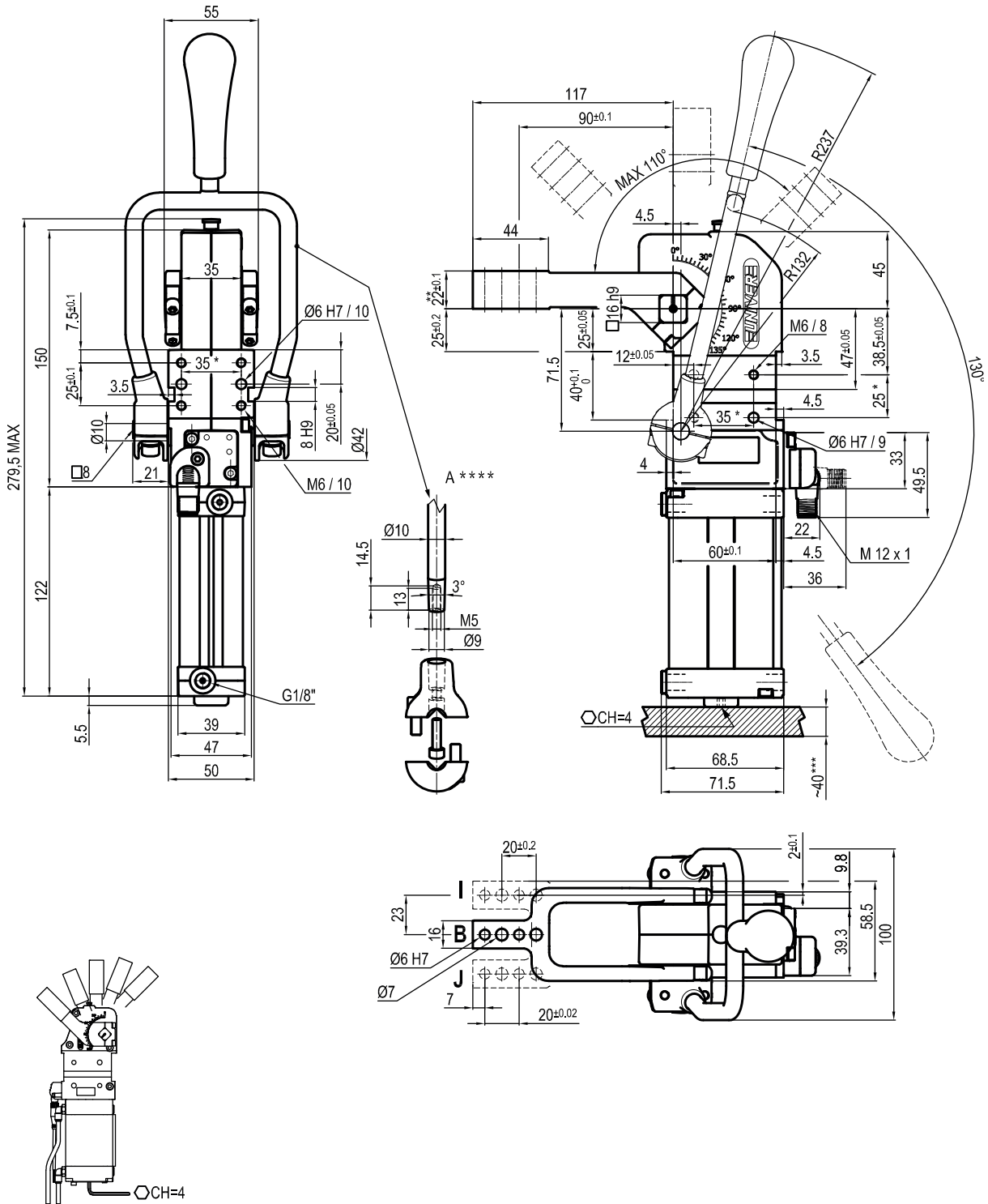
*: TOLERANCE BETWEEN DOWELS ± 0,02, BETWEEN SCREW HOLES ± 0,1

**: TOLERANCE AT 80 mm FROM PIVOT POINT

***: AREA TO ACCESS ANGLE ADJUSTMENT

****: DIMENSIONS TO BE RESPECTED IN CASE OTHER MANUAL LEVERS ARE USED

Subject to technical modifications without notice

UCBT40V__K0
15 mm


Bore Ø	Holding moment	Clamping moment (0,5 MPa)	Weight (clamping arm not included)
40 mm	600 Nm	170 Nm	2,1 Kg

 Min./Max. operating pressure: **0,4 / 0,6 MPa**

 Operating temperature: **5° ± 45° C**

 Opening angle: **adjustable from 0° to 110°**

 Arm position: **90°**

With hand lever

Electronic sensor with M12 swivel connector, from 0° to 90°,

in steps of 10°

Supply voltage: 10 ÷ 30 Vdc

 IP code: **IP 65**

Pneumatic ports on both sides

*: TOLERANCE BETWEEN DOWELS ± 0,02, BETWEEN SCREW HOLES ± 0,1

**: TOLERANCE AT 80 mm FROM PIVOT POINT

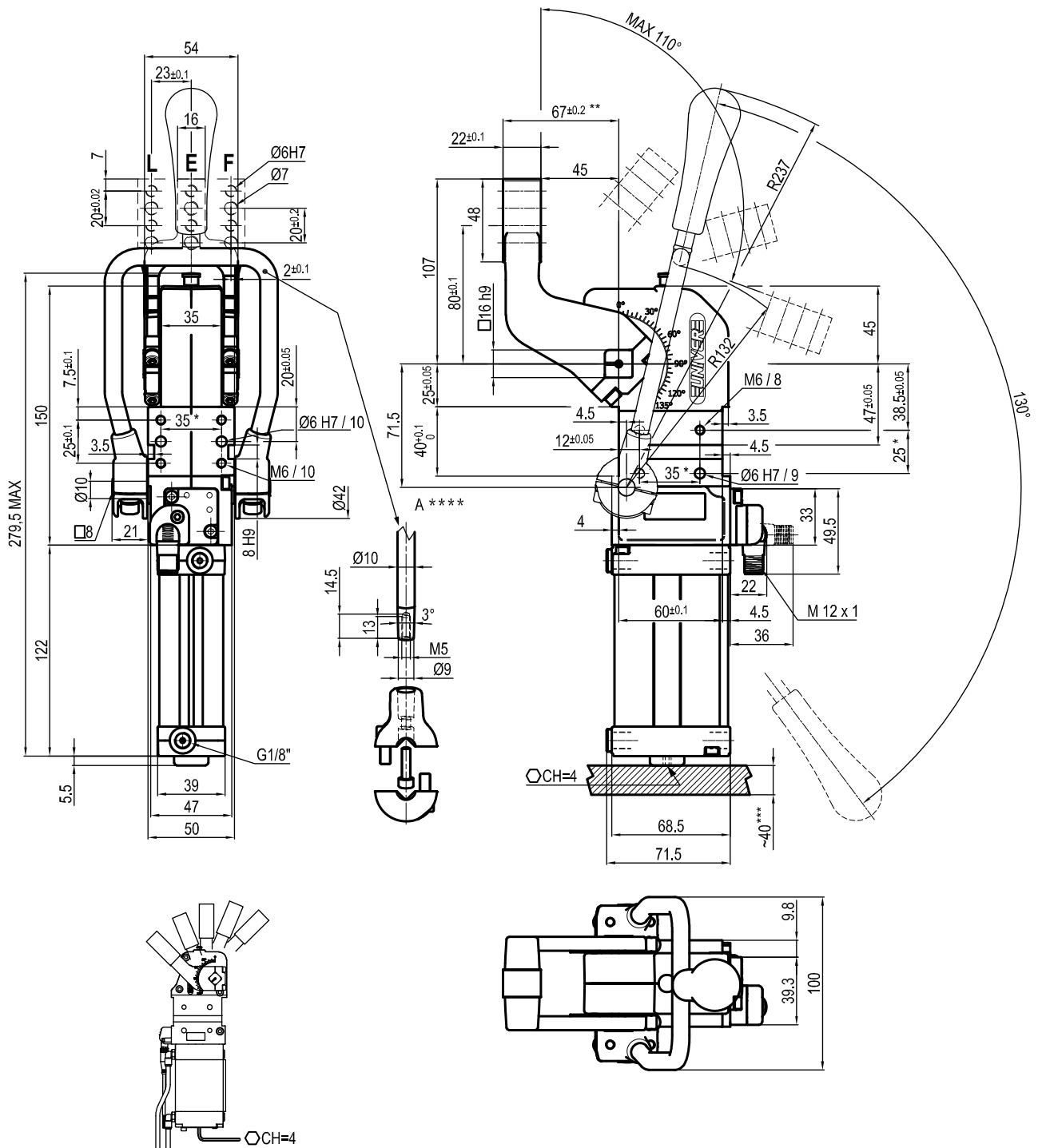
***: AREA TO ACCESS ANGLE ADJUSTMENT

****: DIMENSIONS TO BE RESPECTED IN CASE OTHER MANUAL LEVERS ARE USED

Subject to technical modifications without notice

UCBT400__K0

45 mm



Bore Ø	Holding moment	Clamping moment (0,5 MPa)	Weight (clamping arm not included)
40 mm	600 Nm	170 Nm	2,1 Kg

 Min./Max. operating pressure: **0,4 / 0,6 MPa**

 Operating temperature: **5° ÷ 45° C**

 Opening angle: **adjustable from 0° to 110°**

 Arm position: **180°**

With hand lever

Electronic sensor with M12 swivel connector, from 0° to 90°, in steps of 10°

Supply voltage: 10 ÷ 30 Vdc

 IP code: **IP 65**

Pneumatic ports on both sides

*: TOLERANCE BETWEEN DOWELS ± 0,02, BETWEEN SCREW HOLES ± 0,1

**: TOLERANCE AT 80 mm FROM PIVOT POINT

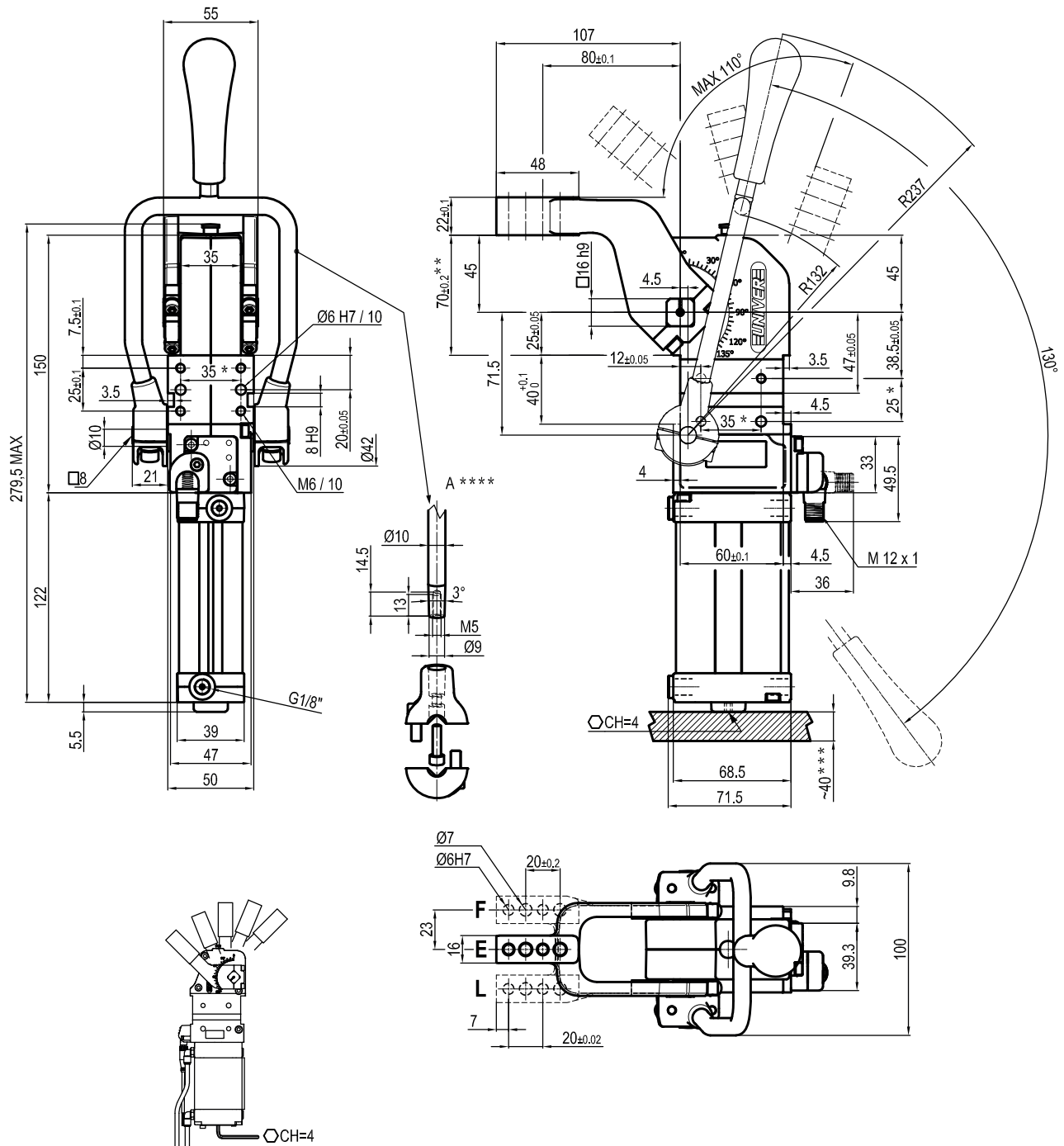
***: AREA TO ACCESS ANGLE ADJUSTMENT

****: DIMENSIONS TO BE RESPECTED IN CASE OTHER MANUAL LEVERS ARE USED

Subject to technical modifications without notice

UCBT40V__K0

45 mm



Bore Ø	Holding moment	Clamping moment (0,5 MPa)	Weight (clamping arm not included)
40 mm	600 Nm	170 Nm	2,1 Kg

Min./Max. operating pressure: **0,4 / 0,6 MPa**
 Operating temperature: **5° ÷ 45° C**
 Opening angle: **adjustable from 0° to 110°**
 Arm position: **90°**
 With hand lever
 Electronic sensor with M12 swivel connector, from 0° to 90°, in steps of 10°
 Supply voltage: 10 ÷ 30 Vdc
 IP code: **IP 65**
 Pneumatic ports on both sides

* : TOLERANCE BETWEEN DOWELS ± 0,02, BETWEEN SCREW HOLES ± 0,1
 ** : TOLERANCE AT 80 mm FROM PIVOT POINT
 *** : AREA TO ACCESS ANGLE ADJUSTMENT
 **** : DIMENSIONS TO BE RESPECTED IN CASE OTHER MANUAL LEVERS ARE USED

Subject to technical modifications without notice