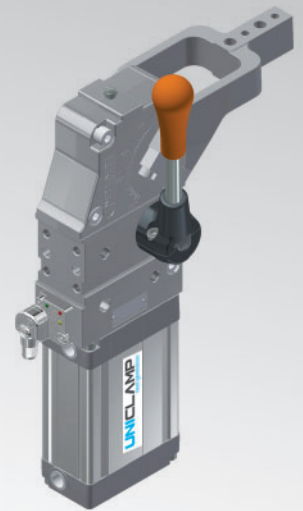


# UCBQ63

UNICLAMP Power clamp with hand lever



U	C	B	Q	6	3	O	E	A	K	O
1	2	3	4	5	6	7	8	9		

1 Series	2 Standard	3 Version	4 Size
----------	------------	-----------	--------

**UC = UNICLAMP Power clamp**  
 fully adjustable opening angle:  
**0° to 135° Max**  
 The opening angle range may vary  
 according to the arm position and style

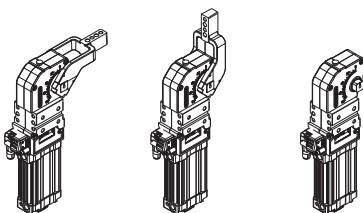
**B = European standard**

**Q = Pneumatic  $\square$ 22**  
 with hand lever

**63 =  $\varnothing$  63 mm**

5 Arm position	6 Arm style
----------------	-------------

**V = 90°**      **O = 180°**      **N = No arm**



**C = Central, 15 mm Offset**  
**D = Right, 15 mm Offset**  
**S = Left, 15 mm Offset**  
**E = Central, 45mm Offset**  
**F = Right, 45mm Offset**  
**L = Left, 45mm Offset**  
**X\* = Central, oversized dowel holes  $\varnothing$  8 H7, 15 mm Offset**  
**Y\* = Right, oversized dowel holes  $\varnothing$  8 H7, 15 mm Offset**  
**Z\* = Left, oversized dowel holes  $\varnothing$  8 H7, 15 mm Offset**  
**T\* = Central, oversized dowel holes  $\varnothing$  8 H7, 45 mm Offset**  
**U\* = Right, oversized dowel holes  $\varnothing$  8 H7, 45 mm Offset**  
**V\* = Left, oversized dowel holes  $\varnothing$  8 H7, 45 mm Offset**  
**N = No arm**

\* = Available upon request

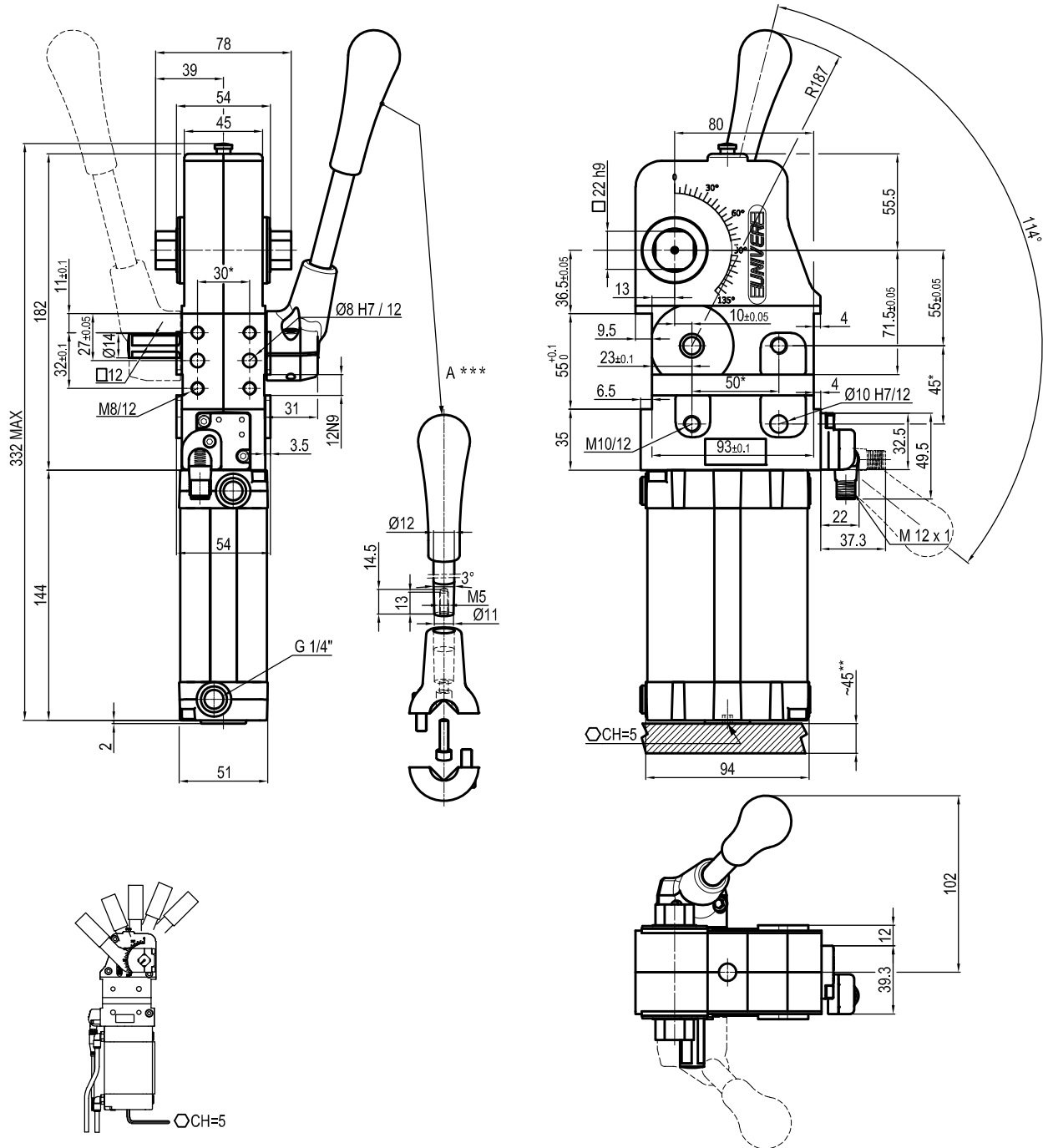
7 Arm type	8 Sensor	9 Product revision
------------	----------	--------------------

**A = Aluminum**  
**S = Steel**  
**N = No arm**

**N = No sensor (with protection plate)**  
**K = Electronic sensor PNP (optical) (DF-K)**  
**D = Pneumatic sensor**  
**J = Electronic sensor NPN (optical) (DF-J)**  
**Y = Electronic sensor PNP (optical) (DF-Y) white led**

Assigned by UNIVER

# UCBQ63NNNK0



Bore Ø	Holding moment	Clamping moment (0,5 MPa)	Weight (clamping arm not included)
63 mm	1750 Nm	420 Nm	3,8 Kg

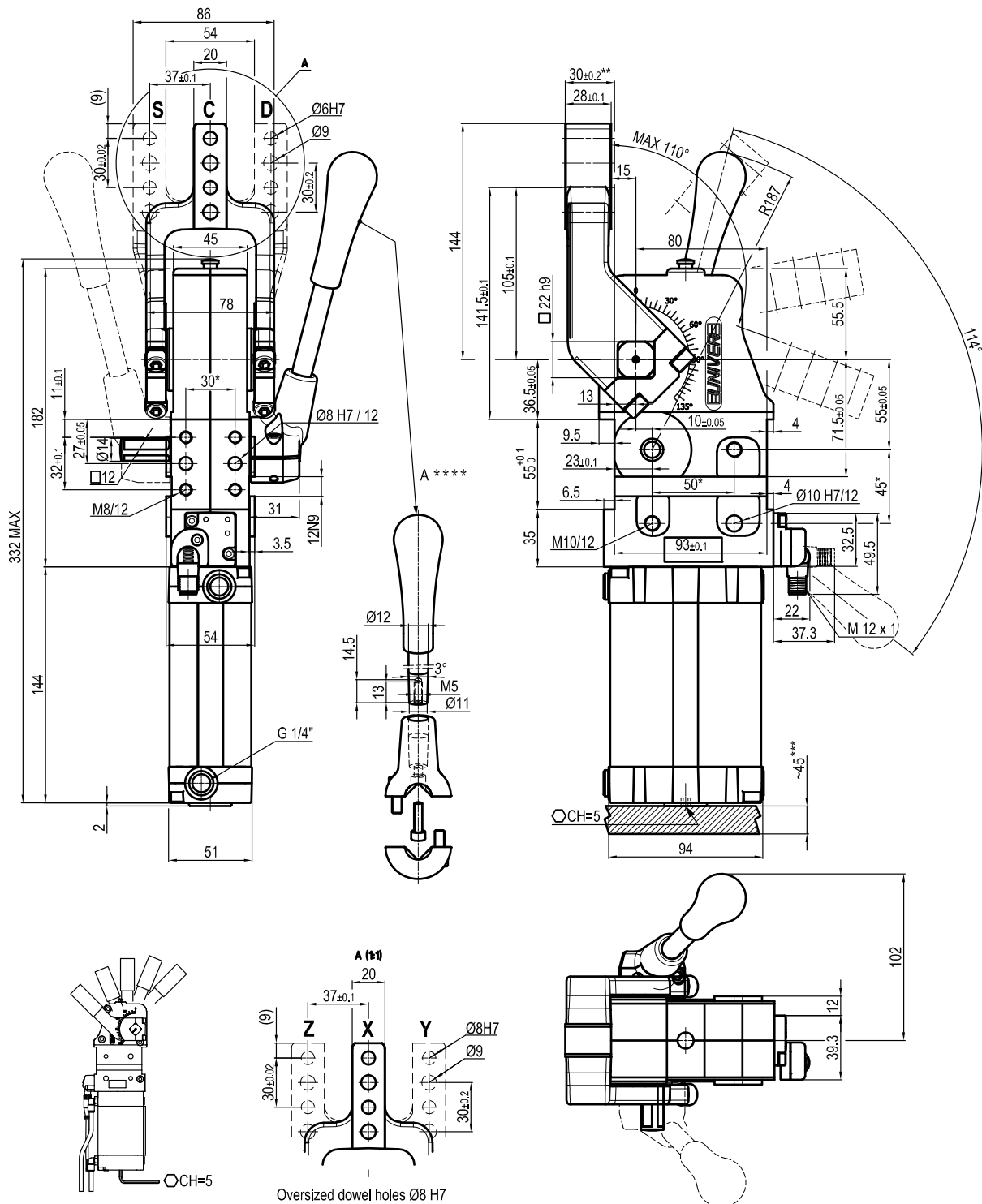
Min./Max. operating pressure: **0,4 / 0,6 MPa**  
 Operating temperature: **5° ÷ 45° C**  
 Opening angle: **adjustable**  
 Without arm  
 Electronic sensor with M12 swivel connector, from 0° to 90°, in steps of 10°  
 Supply voltage: 10 ÷ 30 Vdc  
 IP code: **IP 65**  
 Pneumatic ports on both sides

\* : TOLERANCE BETWEEN DOWELS ± 0,02, BETWEEN SCREW HOLES ± 0,1  
 \*\* : AREA TO ACCESS ANGLE ADJUSTMENT

Subject to technical modifications without notice

## UCBQ630\_K0

15 mm



Bore Ø	Holding moment	Clamping moment (0,5 MPa)	Weight (clamping arm not included)
63 mm	1750 Nm	420 Nm	3,8 Kg

 Min./Max. operating pressure: **0,4 / 0,6 MPa**

 Operating temperature: **5° ÷ 45° C**

 Opening angle: **adjustable from 0° to 110°**

 Arm position: **180°**

With manual lever

Electronic sensor with M12 swivel connector, from 0° to

90°, in steps of 10°

Supply voltage: 10 ÷ 30 Vdc

 IP code: **IP 65**

Pneumatic ports on both sides

\*: TOLERANCE BETWEEN DOWELS ± 0,02, BETWEEN SCREW HOLES ± 0,1

\*\*: TOLERANCE AT 80 mm FROM PIVOT POINT

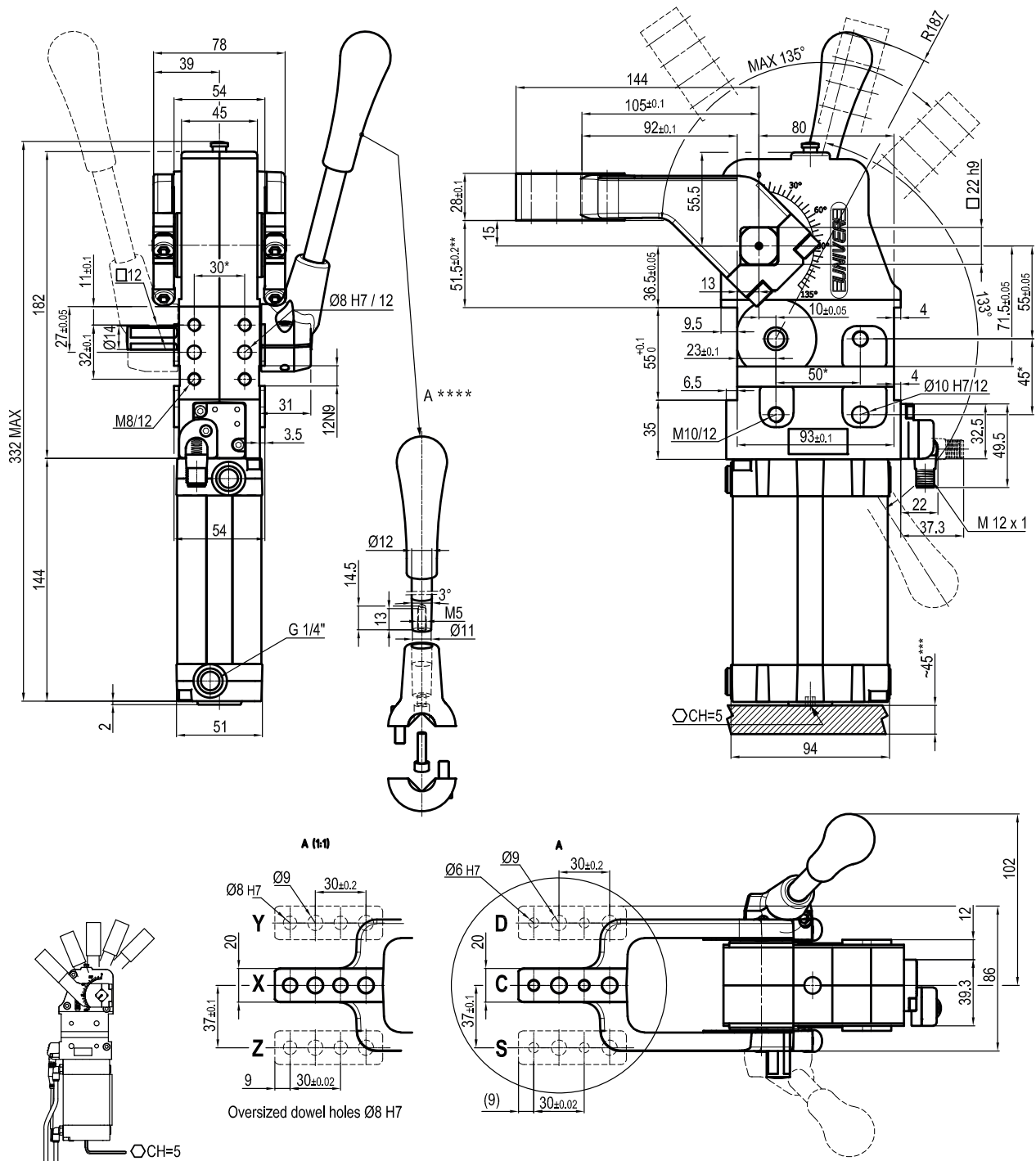
\*\*\*: AREA TO ACCESS ANGLE ADJUSTMENT

\*\*\*\*: DIMENSIONS TO BE RESPECTED IN CASE OTHER MANUAL LEVERS ARE USED

Subject to technical modifications without notice

## UCBQ63V\_\_K0

## 15 mm



Bore Ø	Holding moment	Clamping moment (0,5 MPa)	Weight (clamping arm not included)
63 mm	1750 Nm	420 Nm	3,8 Kg

 Min./Max. operating pressure: **0,4 / 0,6 MPa**

 Operating temperature: **5° ÷ 45° C**

 Opening angle: **adjustable from 0° to 135°**

 Arm position: **90°**

With manual lever

Electronic sensor with M12 swivel connector, from 0° to 90°,

in steps of 10°

Supply voltage: 10 ÷ 30 Vdc

 IP code: **IP 65**

Pneumatic ports on both sides

\*: TOLERANCE BETWEEN DOWELS ± 0,02, BETWEEN SCREW HOLES ± 0,1

\*\*: TOLERANCE AT 80 mm FROM PIVOT POINT

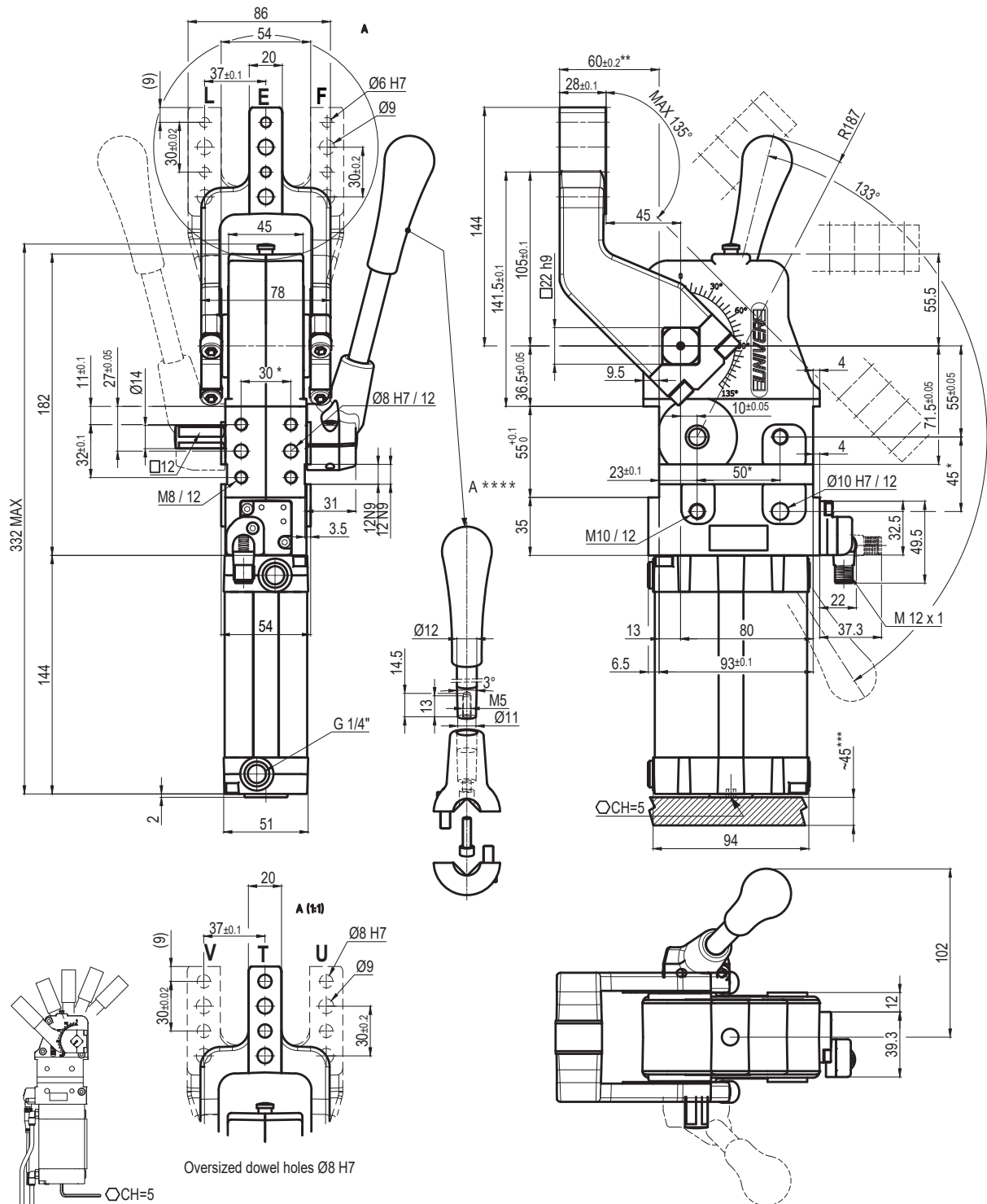
\*\*\*: AREA TO ACCESS ANGLE ADJUSTMENT

\*\*\*\*: DIMENSIONS TO BE RESPECTED IN CASE OTHER MANUAL LEVERS ARE USED

Subject to technical modifications without notice

## UCBQ630\_K0

45 mm



Bore Ø	Holding moment	Clamping moment (0,5 MPa)	Weight (clamping arm not included)
63 mm	1750 Nm	420 Nm	3,8 Kg

 Min./Max. operating pressure: **0,4 / 0,6 MPa**

 Operating temperature: **5° ÷ 45° C**

 Opening angle: **adjustable from 0° to 135°**

 Arm position: **180°**

With manual lever

Electronic sensor with M12 swivel connector, from 0° to

90°, in steps of 10°

Supply voltage: 10 ÷ 30 Vdc

 IP code: **IP 65**

Pneumatic ports on both sides

\*: TOLERANCE BETWEEN DOWELS ± 0,02, BETWEEN SCREW HOLES ± 0,1

\*\*: TOLERANCE AT 80 mm FROM PIVOT POINT

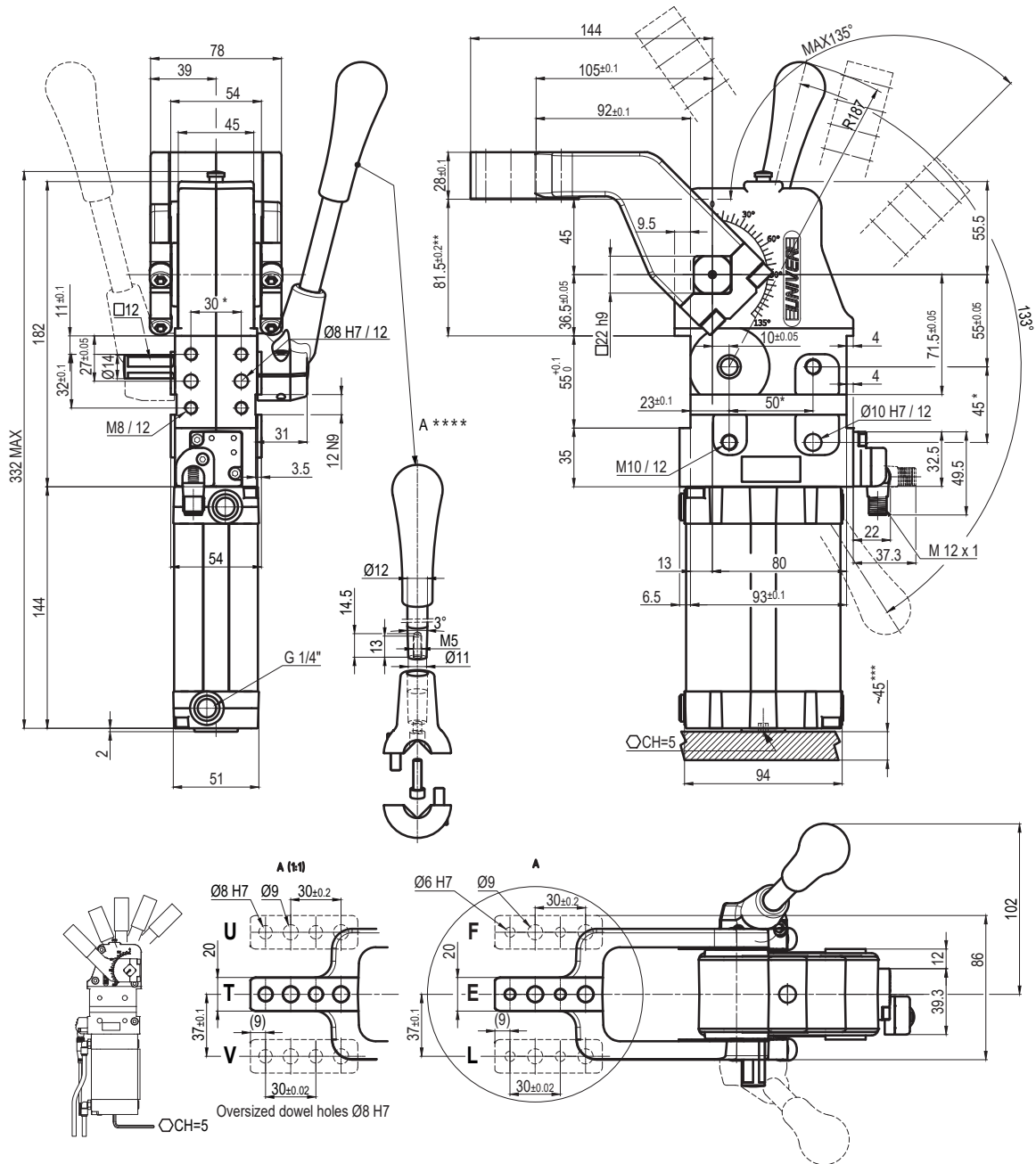
\*\*\*: AREA TO ACCESS ANGLE ADJUSTMENT

\*\*\*\*: DIMENSIONS TO BE RESPECTED IN CASE OTHER MANUAL LEVERS ARE USED

Subject to technical modifications without notice

## UCBQ63V\_\_K0

## 45 mm



Bore $\varnothing$	Holding moment	Clamping moment (0,5 MPa)	Weight (clamping arm not included)
63 mm	1750 Nm	420 Nm	3,8 Kg

 Min./Max. operating pressure: **0,4 / 0,6 MPa**

 Operating temperature: **5° ÷ 45° C**

 Opening angle: **adjustable from 0° to 135°**

 Arm position: **90°**

With manual lever

Electronic sensor with M12 swivel connector, from 0° to 90°,

in steps of 10°

Supply voltage: 10 ÷ 30 Vdc

 IP code: **IP 65**

Pneumatic ports on both sides

 \*: TOLERANCE BETWEEN DOWELS  $\pm 0,02$ , BETWEEN SCREW HOLES  $\pm 0,1$ 

\*\*: TOLERANCE AT 80 mm FROM PIVOT POINT

\*\*\*: AREA TO ACCESS ANGLE ADJUSTMENT

\*\*\*\*: DIMENSIONS TO BE RESPECTED IN CASE OTHER MANUAL LEVERS ARE USED

Subject to technical modifications without notice