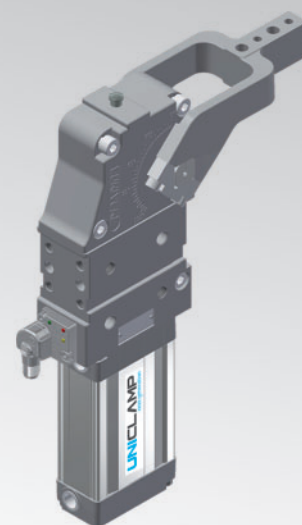


UCBP50

Unità di bloccaggio UNICLAMP



U	C	B	P	5	0	O	E	A	K	0
1	2	3	4	5	6	7	8	9		

1 Serie	2 Standard	3 Versione	4 Taglia
---------	------------	------------	----------

UC = Unità di bloccaggio UNICLAMP con regolazione continua angolo d'apertura da: **0° a 135° Max**
L'angolo di apertura può variare a seconda della posizione e della tipologia del pressore

B = Standard Europeo

P = Pneumatica

50 = Ø 50 mm

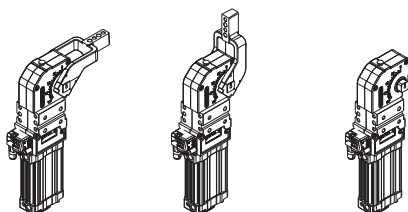
5 Posizione pressore	6 Tipo di pressore
----------------------	--------------------

V = 90°

O = 180°

N = Senza pressore

* = Disponibili su richiesta



C = Centrale, 15 mm Offset

D = Destro, 15 mm Offset

S = Sinistro, 15 mm Offset

E = Centrale, 45 mm Offset

F = Destro, 45 mm Offset

L = Sinistro, 45 mm Offset

X* = Centrale, fori spina maggiorati Ø 8 H7, 15 mm Offset

Y* = Destro, fori spina maggiorati Ø 8 H7, 15 mm Offset

Z* = Sinistro, fori spina maggiorati Ø 8 H7, 15 mm Offset

T* = Centrale, fori spina maggiorati Ø 8 H7, 45 mm Offset

U* = Destro, fori spina maggiorati Ø 8 H7, 45 mm Offset

V* = Sinistro, fori spina maggiorati Ø 8 H7, 45 mm Offset

N = Senza pressore

7 Materiale pressore	8 Sensore	9 Revisione prodotto
----------------------	-----------	----------------------

A = Alluminio

S = Acciaio

N = Senza pressore

N = Senza sensore (con piastra di chiusura)

K = Sensore elettronico PNP (ottico) (DF-K)

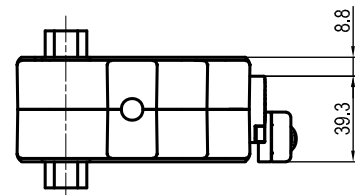
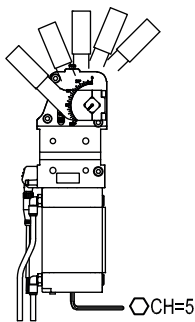
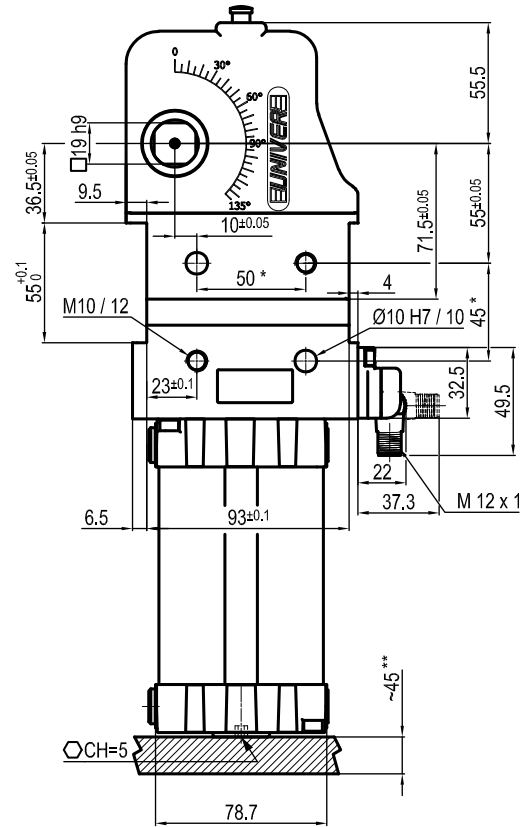
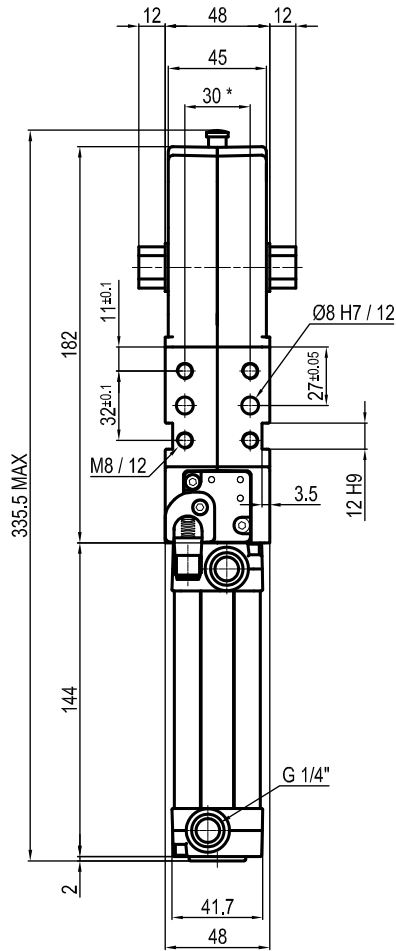
D = Sensore pneumatico

J = Sensore elettronico NPN (ottico) (DF-J)

Y = Sensore elettronico PNP (ottico) (DF-Y) led bianco

Assegnato da UNIVER

UCBP50NNNK0



Bore Ø	Holding moment	Clamping moment (0,5 MPa)	Weight (clamping arm not included)
50 mm	1250 Nm	280 Nm	2,5 Kg

Min./Max. operating pressure: **0,4 / 0,6 MPa**

Operating temperature: **5° ÷ 45° C**

Opening angle: **adjustable**

Without arm

Electronic sensor with M12 swivel connector, from 0° to 90°, in steps of 10°

Supply voltage: 10 ÷ 30 Vdc

IP code: **IP 65**

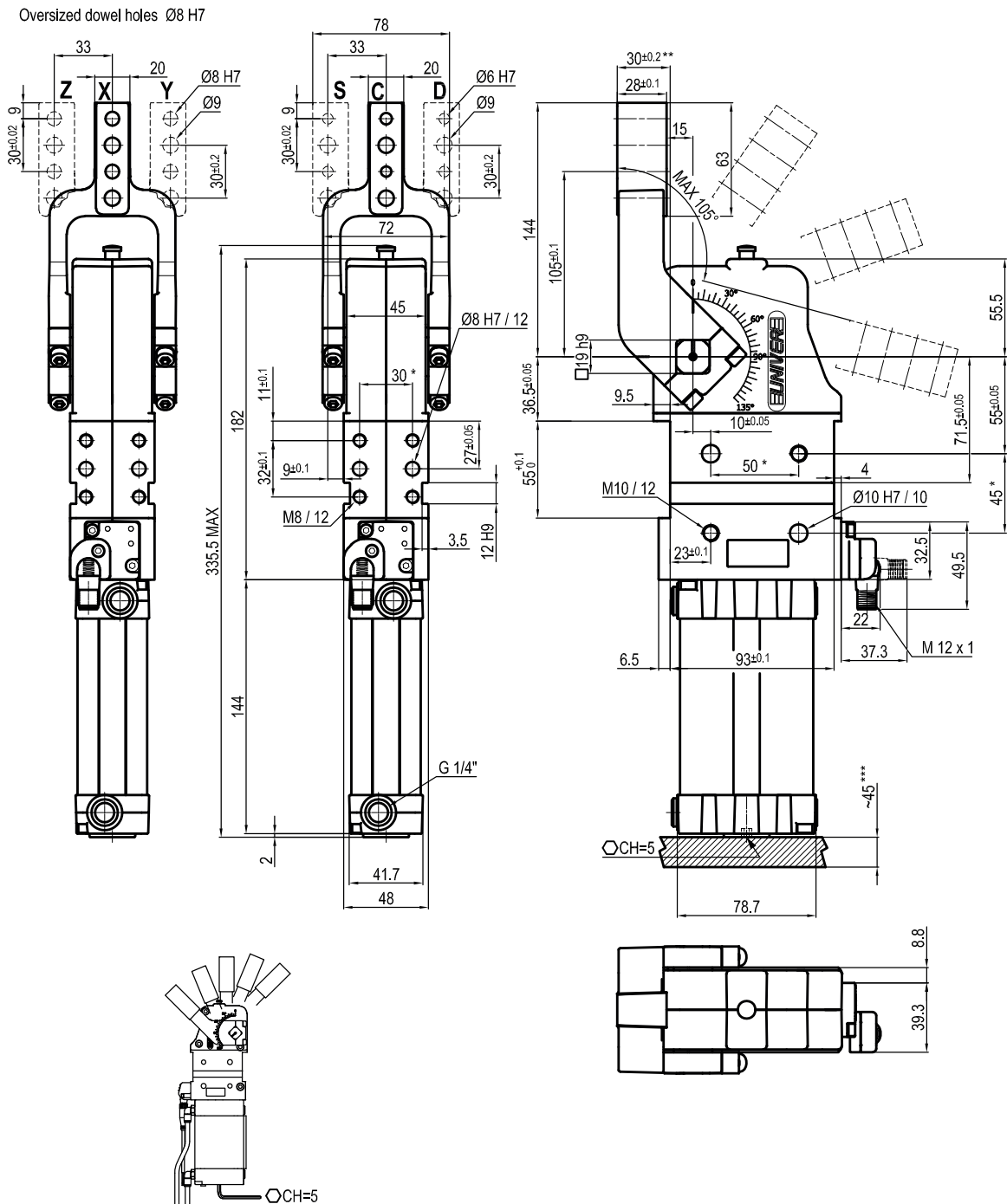
Pneumatic ports on both sides

* : TOLERANCE BETWEEN DOWELS ± 0,02, BETWEEN SCREW HOLES ± 0,1

** : AREA TO ACCESS ANGLE ADJUSTMENT

Subject to technical modifications without notice

Rev. 02 26.01.22



Bore Ø	Holding moment	Clamping moment (0,5 MPa)	Weight (clamping arm not included)
50 mm	1250 Nm	280 Nm	2,5 Kg

Min./Max. operating pressure: **0,4 / 0,6 MPa**

Operating temperature: **5° ÷ 45° C**

Opening angle: **adjustable from 0° to 105°**

Arm position: **180°**

Electronic sensor with M12 swivel connector, from 0° to 90°, in steps of 10°

Supply voltage: 10 ÷ 30 Vdc

IP code: **IP 65**

Pneumatic ports on both sides

* : TOLERANCE BETWEEN DOWELS ± 0,02, BETWEEN SCREW HOLES ± 0,1

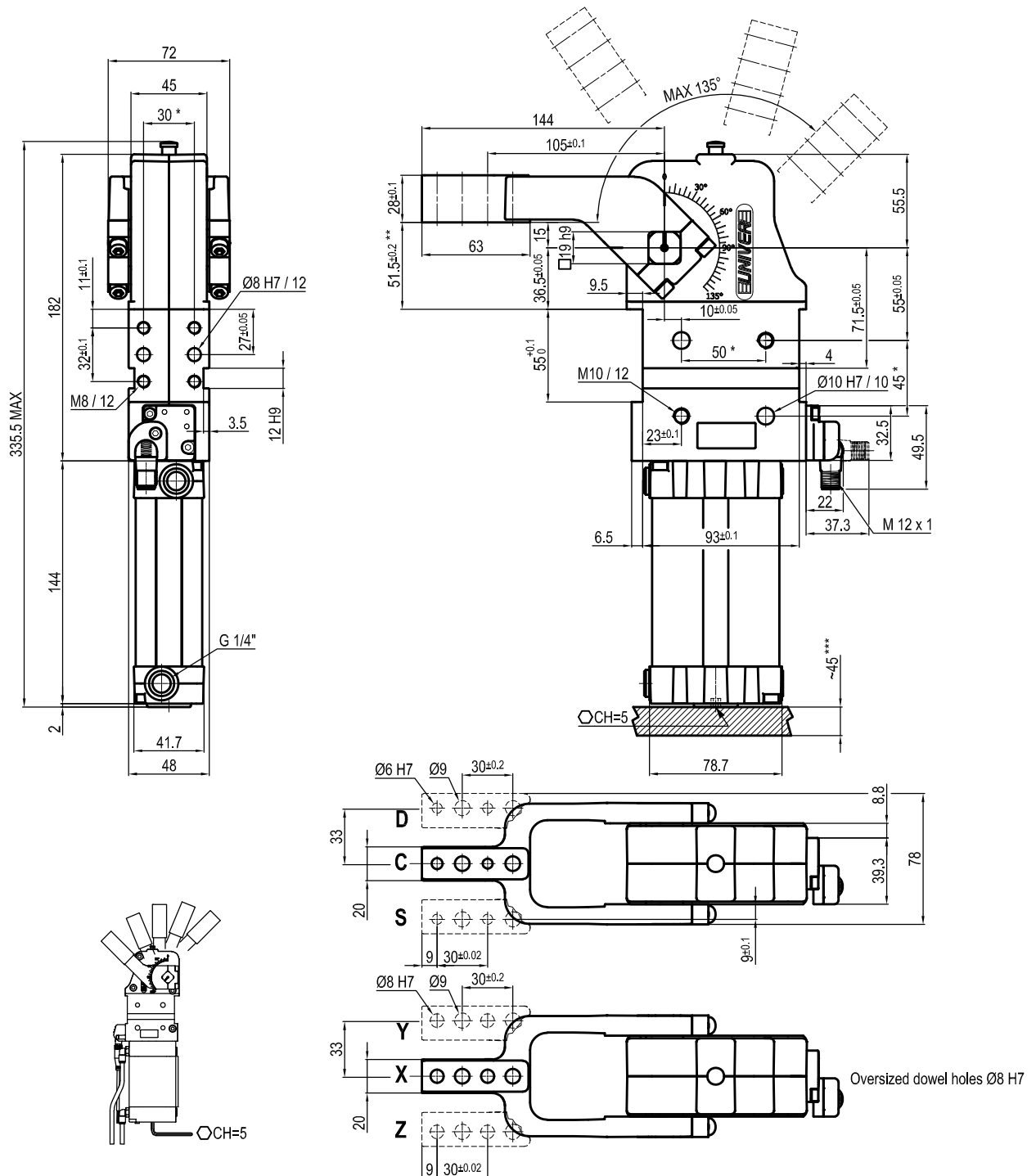
** : TOLERANCE AT 80 mm FROM PIVOT POINT

*** : AREA TO ACCESS ANGLE ADJUSTMENT

Subject to technical modifications without notice

UCBP50V__K0

15 mm



Bore Ø	Holding moment	Clamping moment (0,5 MPa)	Weight (clamping arm not included)
50 mm	1250 Nm	280 Nm	2,5 Kg

 Min./Max. operating pressure: **0,4 / 0,6 MPa**

 Operating temperature: **5° ÷ 45° C**

 Opening angle: **adjustable from 0° to 135°**

 Arm position: **90°**

External stop

Electronic sensor with M12 swivel connector, from 0° to 90°,

in steps of 10°

Supply voltage: 10 ÷ 30 Vdc

 IP code: **IP 65**

*: TOLERANCE BETWEEN DOWELS ± 0,02, BETWEEN SCREW HOLES ± 0,1

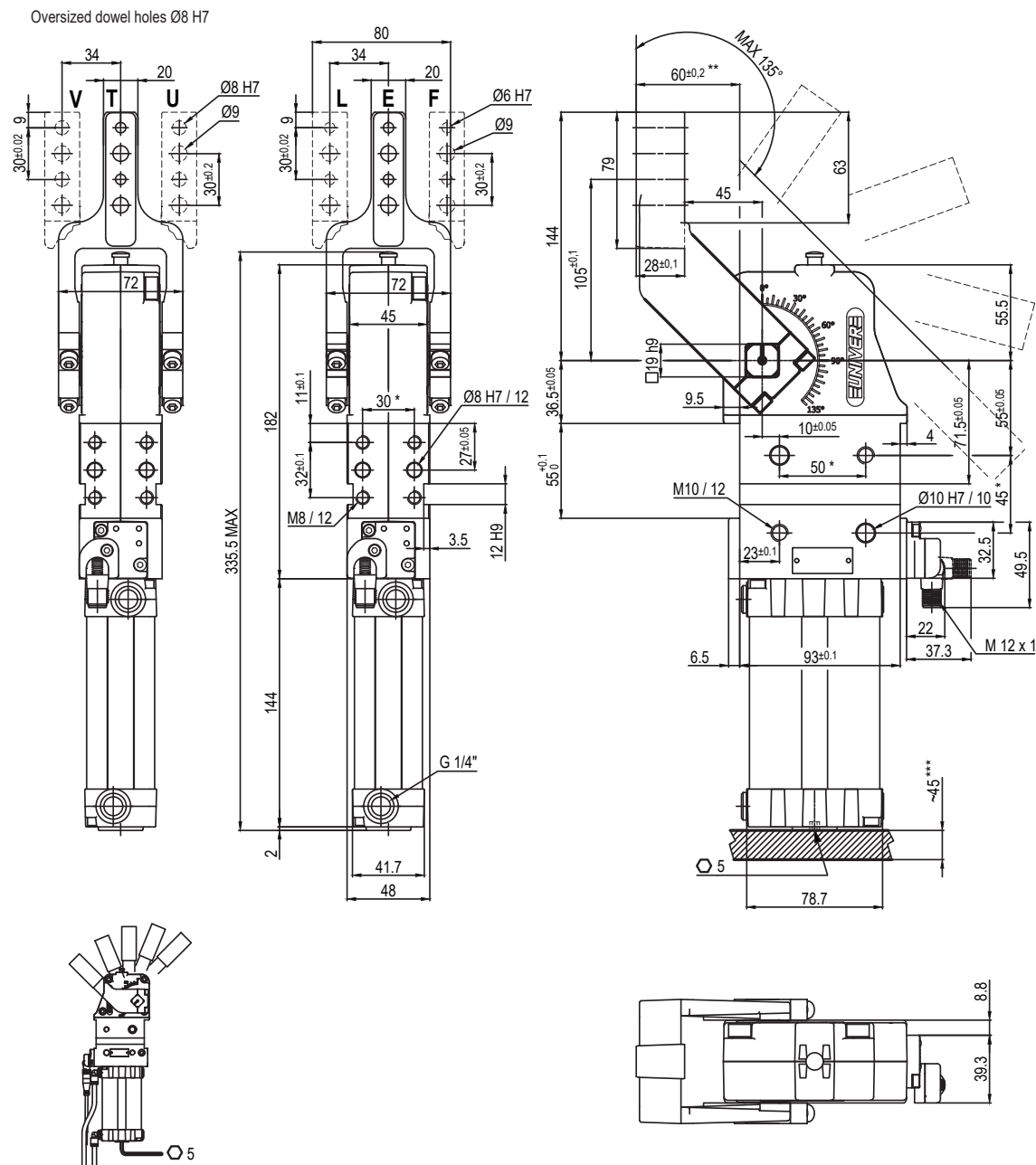
**: TOLERANCE AT 80 mm FROM PIVOT POINT

***: AREA TO ACCESS ANGLE ADJUSTMENT

Subject to technical modifications without notice

UCBP500__K0

45 mm



Bore Ø	Holding moment	Clamping moment (0,5 MPa)	Weight (clamping arm not included)
50 mm	1250 Nm	280 Nm	2,5 Kg

* : TOLERANCE BETWEEN DOWELS $\pm 0,02$, BETWEEN SCREW HOLES $\pm 0,1$

** : TOLERANCE AT 80 mm FROM PIVOT POINT

*** : AREA TO ACCESS ANGLE ADJUSTMENT

Min./Max. operating pressure: **0,4 / 0,6 MPa**

Operating temperature: **5° ÷ 45° C**

Opening angle: **adjustable from 0° to 135°**

Arm position: **180°**

Electronic sensor with M12 swivel connector, from 0° to 90°, in steps of 10°

Supply voltage: 10 ÷ 30 Vdc

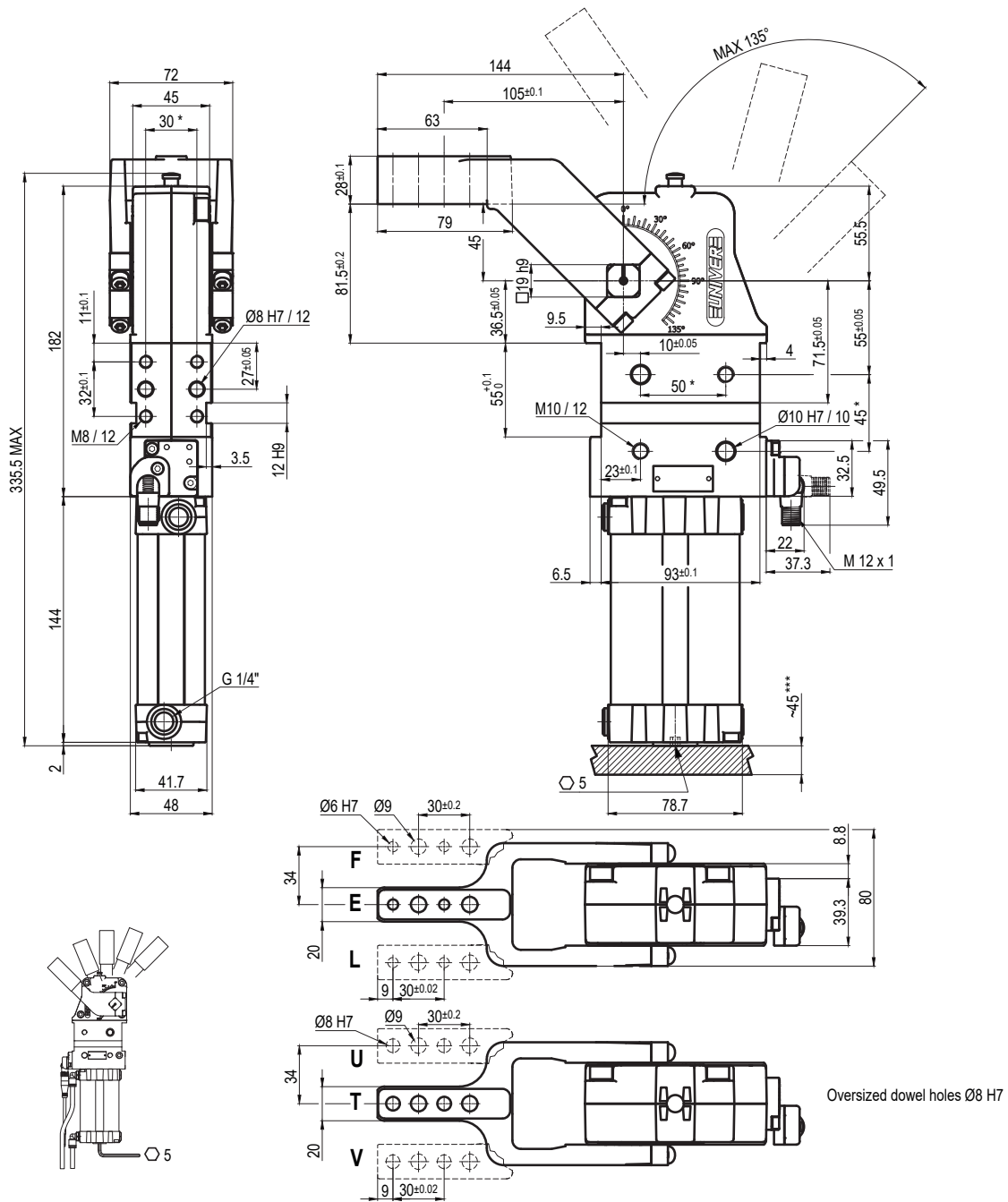
IP code: **IP 65**

Pneumatic ports on both sides

Subject to technical modifications without notice

UCBP50V__K0

45 mm



Bore Ø	Holding moment	Clamping moment (0,5 MPa)	Weight (clamping arm not included)
50 mm	1250 Nm	280 Nm	2,5 Kg

Min./Max. operating pressure: **0,4 / 0,6 MPa**
 Operating temperature: **5° ÷ 45° C**
 Opening angle: **adjustable from 0° to 135°**
 Arm position: **90°**
 Electronic sensor with M12 swivel connector, from 0° to 90°, in steps of 10°
 Supply voltage: 10 ÷ 30 Vdc
 IP code: **IP 65**
 Pneumatic ports on both sides

* : TOLERANCE BETWEEN DOWELS ± 0,02, BETWEEN SCREW HOLES ± 0,1

** : TOLERANCE AT 80 mm FROM PIVOT POINT

*** : AREA TO ACCESS ANGLE ADJUSTMENT

Subject to technical modifications without notice