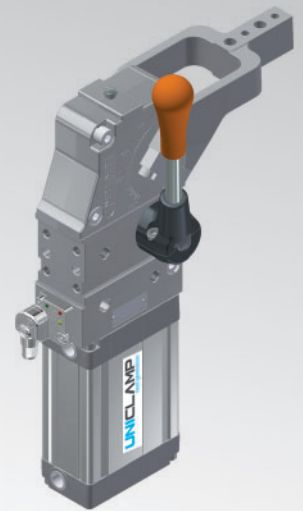


UCBM63

UNICLAMP Power clamp with hand lever



U	C	B	M	6	3	O	E	A	K	O
1	2	3	4	5	6	7	8	9		

1 Series	2 Standard	3 Version	4 Size
----------	------------	-----------	--------

UC = UNICLAMP Power clamp
fully adjustable opening angle:
0° to 135° Max
The opening angle range may vary
according to the arm position and style

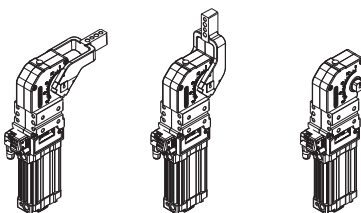
B = European standard

M = Pneumatic 19
with hand lever

63 = Ø 63 mm

5 Arm position	6 Arm style
----------------	-------------

V = 90° **O = 180°** **N = No arm**



C = Central, 15 mm Offset
D = Right, 15 mm Offset
S = Left, 15 mm Offset
E = Central, 45mm Offset
F = Right, 45mm Offset
L = Left, 45mm Offset
X* = Central, oversized dowel holes Ø 8 H7, 15 mm Offset
Y* = Right, oversized dowel holes Ø 8 H7, 15 mm Offset
Z* = Left, oversized dowel holes Ø 8 H7, 15 mm Offset
T* = Central, oversized dowel holes Ø 8 H7, 45 mm Offset
U* = Right, oversized dowel holes Ø 8 H7, 45 mm Offset
V* = Left, oversized dowel holes Ø 8 H7, 45 mm Offset
N = No arm

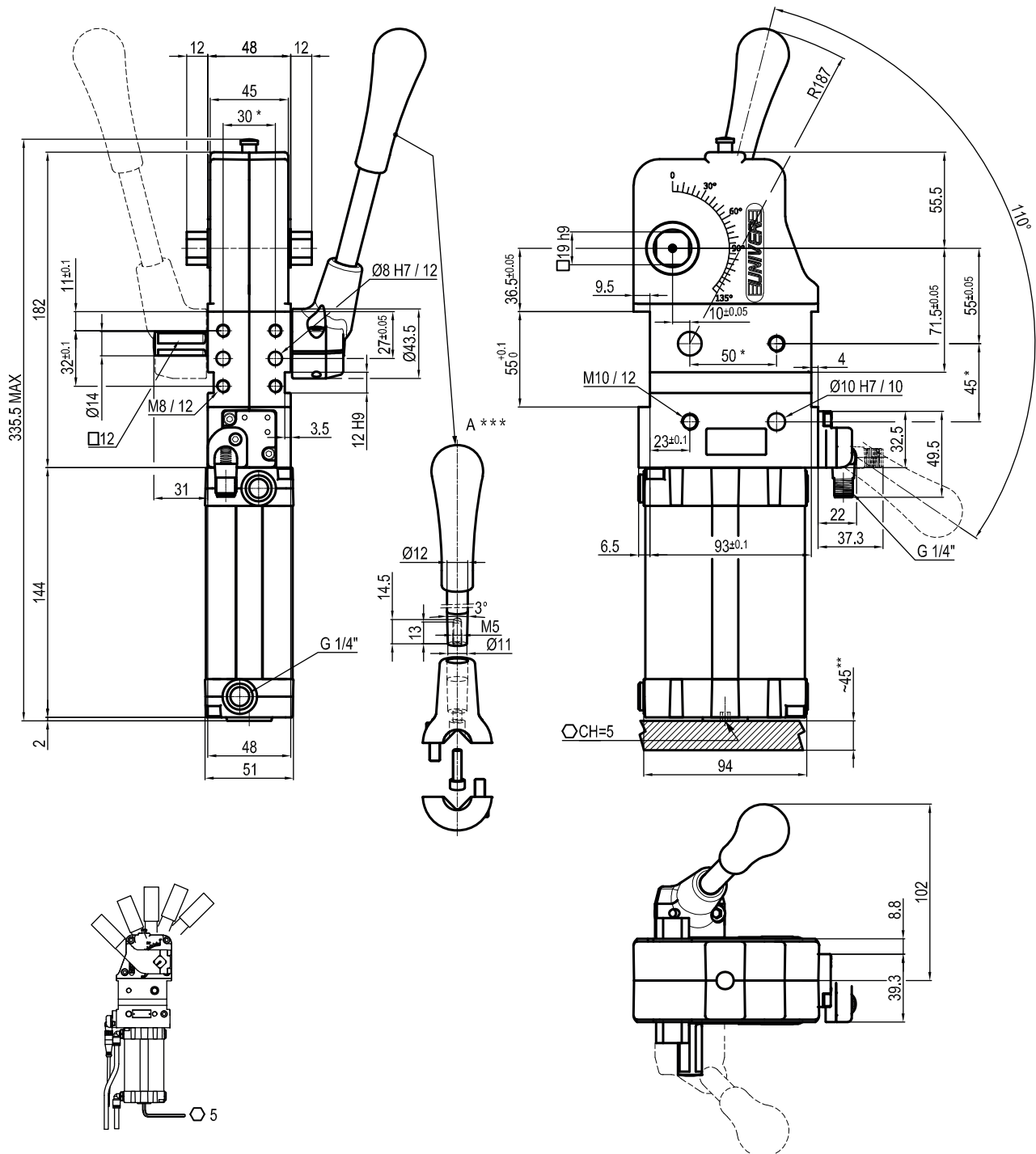
* = Available upon request

7 Arm type	8 Sensor	9 Product revision
------------	----------	--------------------

A = Aluminum
S = Steel
N = No arm

N = No sensor (with protection plate)
K = Electronic sensor PNP (optical) (DF-K)
D = Pneumatic sensor
J = Electronic sensor NPN (optical) (DF-J)
Y = Electronic sensor PNP (optical) (DF-Y) white led

Assigned by UNIVER

UCBM63NNNK0


Bore Ø	Holding moment	Clamping moment (0,5 MPa)	Weight (clamping arm not included)
63 mm	1750 Nm	420 Nm	3,6 Kg

 Min./Max. operating pressure: **0,4 / 0,6 MPa**

 Operating temperature: **5° ÷ 45° C**

 Opening angle: **adjustable**

Without arm

With hand lever

Electronic sensor with M12 swivel connector, from 0° to 90°,

in steps of 10°

Supply voltage: 10 ÷ 30 Vdc

 IP code: **IP 65**

Pneumatic ports on both sides

*: TOLERANCE BETWEEN DOWELS ± 0,02, BETWEEN SCREW HOLES ± 0,1

**: AREA TO ACCESS ANGLE ADJUSTMENT

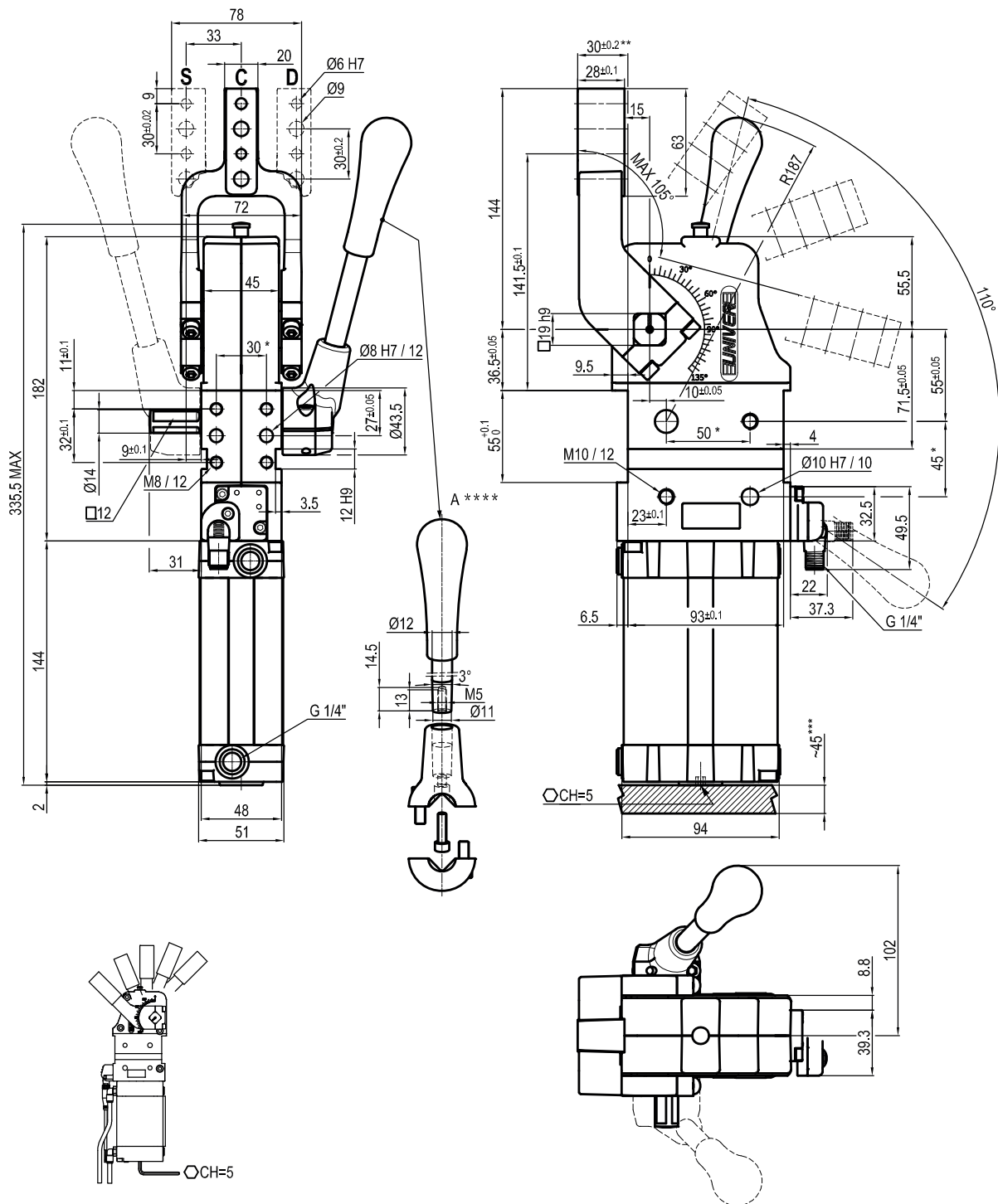
***: DIMENSIONS TO BE RESPECTED IN CASE OTHER MANUAL LEVERS ARE USED

Subject to technical modifications without notice

Rev. 02 26.01.22

UCBM630__K0

15 mm



Bore Ø	Holding moment	Clamping moment (0,5 MPa)	Weight (clamping arm not included)
63 mm	1750 Nm	420 Nm	3,6 Kg

 Min./Max. operating pressure: **0,4 / 0,6 MPa**

 Operating temperature: **5° ÷ 45° C**

 Opening angle: **adjustable from 0° to 105°**

 Arm position: **180°**

With hand lever

Electronic sensor with M12 swivel connector, from 0° to 90°,

in steps of 10°

Supply voltage: 10 ÷ 30 Vdc

 IP code: **IP 65**

Pneumatic ports on both sides

*: TOLERANCE BETWEEN DOWELS ± 0,02, BETWEEN SCREW HOLES ± 0,1

**: TOLERANCE AT 80 mm FROM PIVOT POINT

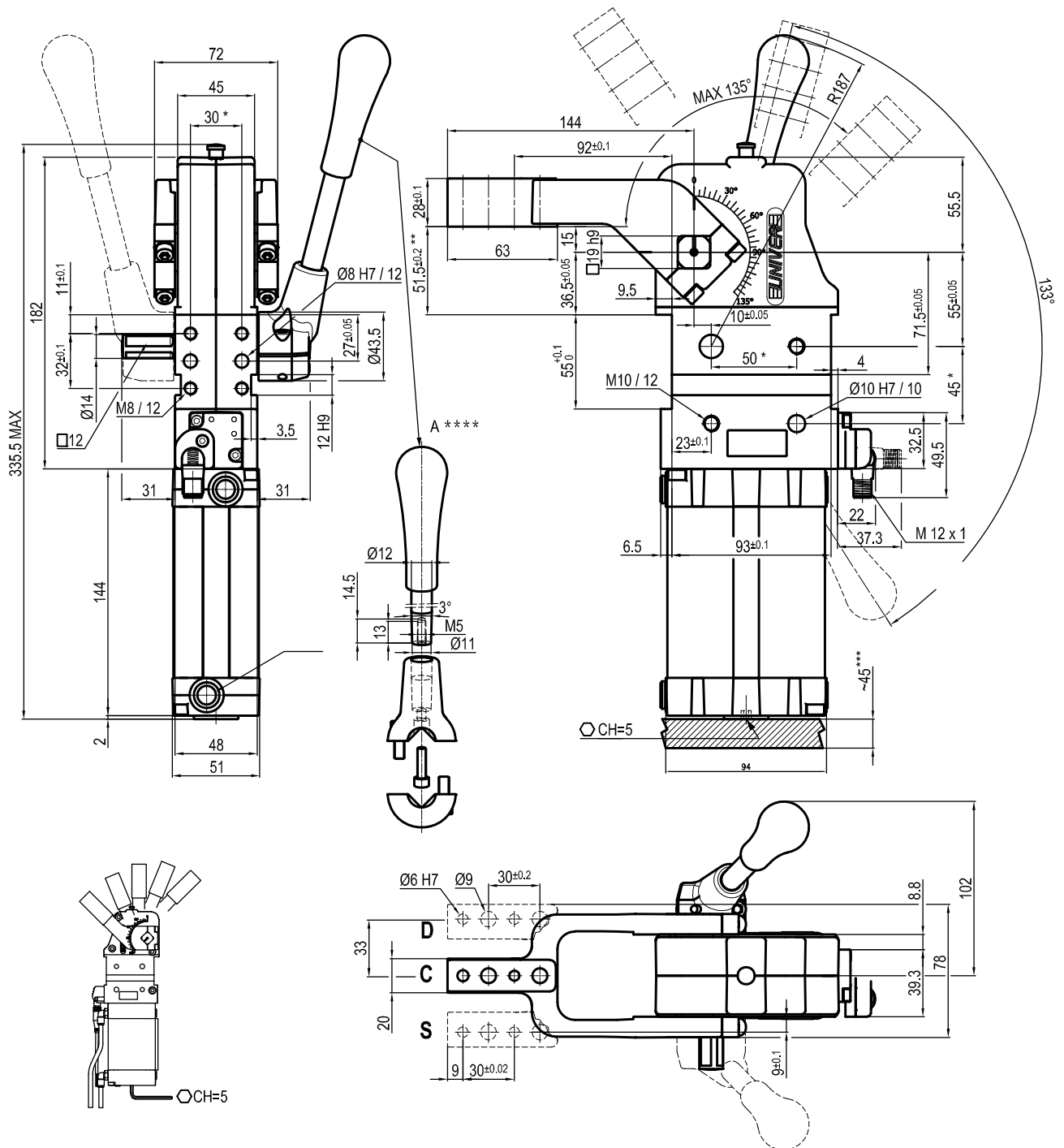
***: AREA TO ACCESS ANGLE ADJUSTMENT

****: DIMENSIONS TO BE RESPECTED IN CASE OTHER MANUAL LEVERS ARE USED

Subject to technical modifications without notice

UCBM63V__K0

15 mm



Bore Ø	Holding moment	Clamping moment (0,5 MPa)	Weight (clamping arm not included)
63 mm	1750 Nm	420 Nm	3,6 Kg

 Min./Max. operating pressure: **0,4 / 0,6 MPa**

 Operating temperature: **5° ÷ 45° C**

 Opening angle: **adjustable from 0° to 135°**

 Arm position: **90°**

With hand lever

Electronic sensor with M12 swivel connector, from 0° to 90°,

in steps of 10°

Supply voltage: 10 ÷ 30 Vdc

 IP code: **IP 65**

Pneumatic ports on both sides

*: TOLERANCE BETWEEN DOWELS ± 0,02, BETWEEN SCREW HOLES ± 0,1

**: TOLERANCE AT 80 mm FROM PIVOT POINT

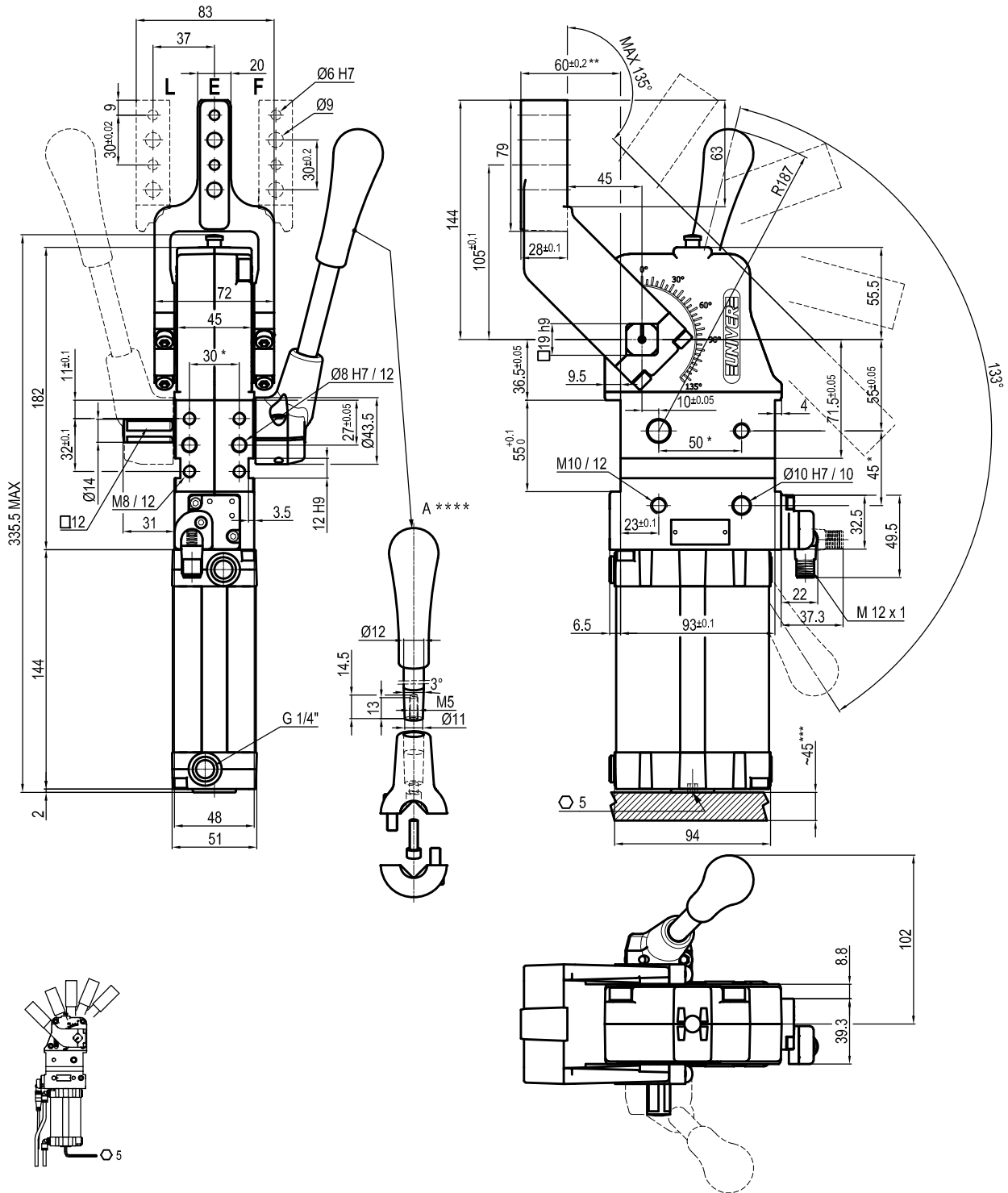
***: AREA TO ACCESS ANGLE ADJUSTMENT

****: DIMENSIONS TO BE RESPECTED IN CASE OTHER MANUAL LEVERS ARE USED

Subject to technical modifications without notice

UCBM630__K0

45 mm



Bore Ø	Holding moment	Clamping moment (0,5 MPa)	Weight (clamping arm not included)
63 mm	1750 Nm	420 Nm	3,6 Kg

 Min./Max. operating pressure: **0,4 / 0,6 MPa**

 Operating temperature: **5° ÷ 45° C**

 Opening angle: **adjustable from 0° to 135°**

 Arm position: **180°**

With hand lever

Electronic sensor with M12 swivel connector, from 0° to 90°,

in steps of 10°

Supply voltage: 10 ÷ 30 Vdc

 IP code: **IP 65**

Pneumatic ports on both sides

*: TOLERANCE BETWEEN DOWELS ± 0,02, BETWEEN SCREW HOLES ± 0,1

**: TOLERANCE AT 80 mm FROM PIVOT POINT

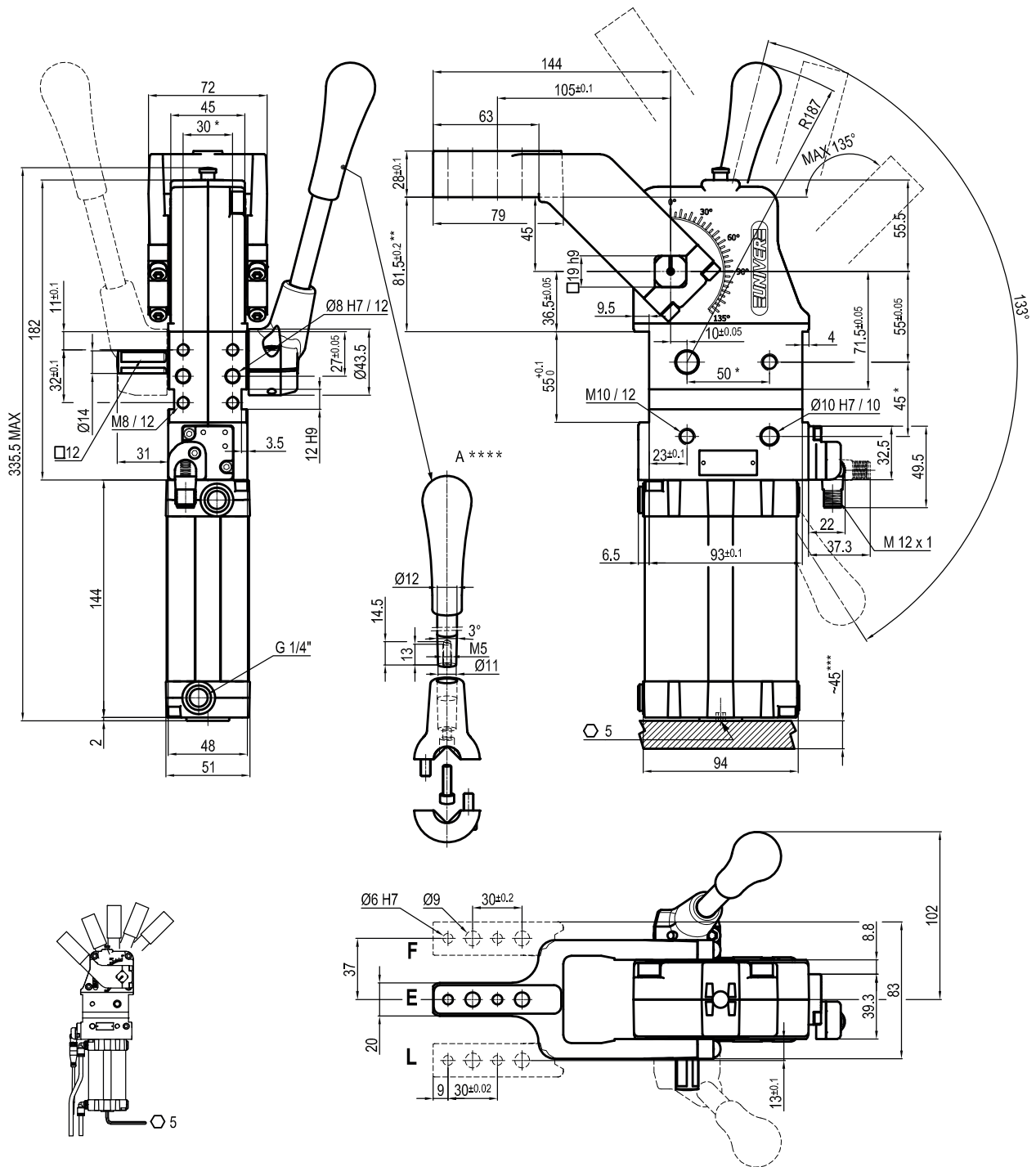
***: AREA TO ACCESS ANGLE ADJUSTMENT

****: DIMENSIONS TO BE RESPECTED IN CASE OTHER MANUAL LEVERS ARE USED

Subject to technical modifications without notice

UCBM63V__K0

45 mm



Bore Ø	Holding moment	Clamping moment (0,5 MPa)	Weight (clamping arm not included)
63 mm	1750 Nm	420 Nm	3,6 Kg

 Min./Max. operating pressure: **0,4 / 0,6 MPa**

 Operating temperature: **5° ÷ 45° C**

 Opening angle: **adjustable from 0° to 135°**

 Arm position: **90°**

With hand lever

Electronic sensor with M12 swivel connector, from 0° to 90°,

in steps of 10°

Supply voltage: 10 ÷ 30 Vdc

 IP code: **IP 65**

Pneumatic ports on both sides

*: TOLERANCE BETWEEN DOWELS ± 0,02, BETWEEN SCREW HOLES ± 0,1

**: TOLERANCE AT 80 mm FROM PIVOT POINT

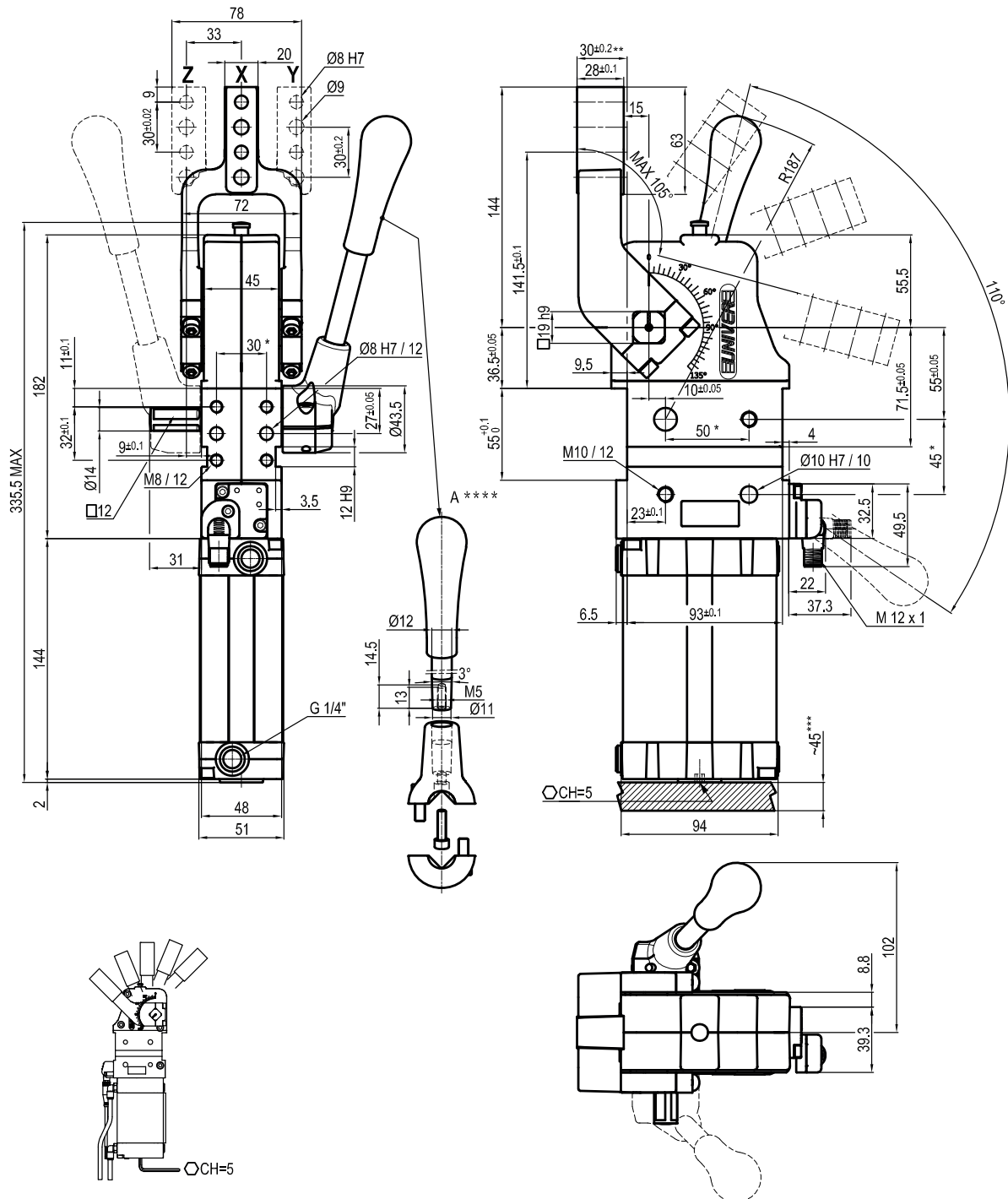
***: AREA TO ACCESS ANGLE ADJUSTMENT

****: DIMENSIONS TO BE RESPECTED IN CASE OTHER MANUAL LEVERS ARE USED

Subject to technical modifications without notice

UCBM630__K0

oversized dowel holes - 15mm



Bore Ø	Holding moment	Clamping moment (0,5 MPa)	Weight (clamping arm not included)
63 mm	1750 Nm	420 Nm	3,6 Kg

 Min./Max. operating pressure: **0,4 / 0,6 MPa**

 Operating temperature: **5° ÷ 45° C**

 Opening angle: **adjustable from 0° to 105°**

 Arm position: **180°**

With hand lever

Electronic sensor with M12 swivel connector, from 0° to 90°,

in steps of 10°

Supply voltage: 10 ÷ 30 Vdc

 IP code: **IP 65**

Pneumatic ports on both sides

*: TOLERANCE BETWEEN DOWELS ± 0,02, BETWEEN SCREW HOLES ± 0,1

**: TOLERANCE AT 80 mm FROM PIVOT POINT

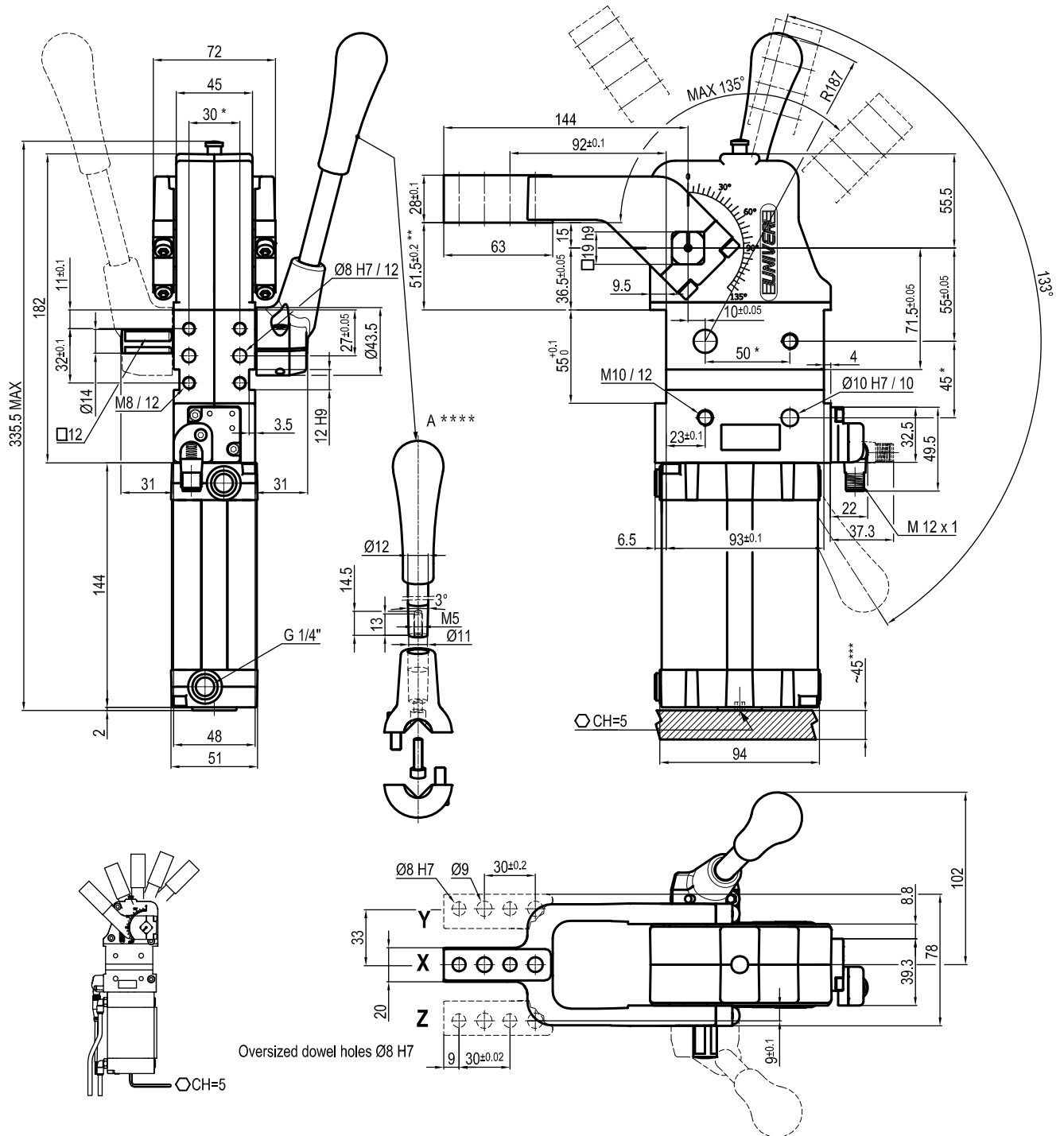
***: AREA TO ACCESS ANGLE ADJUSTMENT

****: DIMENSIONS TO BE RESPECTED IN CASE OTHER MANUAL LEVERS ARE USED

Subject to technical modifications without notice

UCBM63V__K0

oversized dowel holes - 15 mm



Bore Ø	Holding moment	Clamping moment (0,5 MPa)	Weight (clamping arm not included)
63 mm	1750 Nm	420 Nm	3,6 Kg

 Min./Max. operating pressure: **0,4 / 0,6 MPa**

 Operating temperature: **5° ÷ 45° C**

 Opening angle: **adjustable from 0° to 135°**

 Arm position: **90°**

With hand lever

Electronic sensor with M12 swivel connector, from 0° to 90°,

in steps of 10°

Supply voltage: 10 ÷ 30 Vdc

 IP code: **IP 65**

Pneumatic ports on both sides

*: TOLERANCE BETWEEN DOWELS ± 0,02, BETWEEN SCREW HOLES ± 0,1

**: TOLERANCE AT 80 mm FROM PIVOT POINT

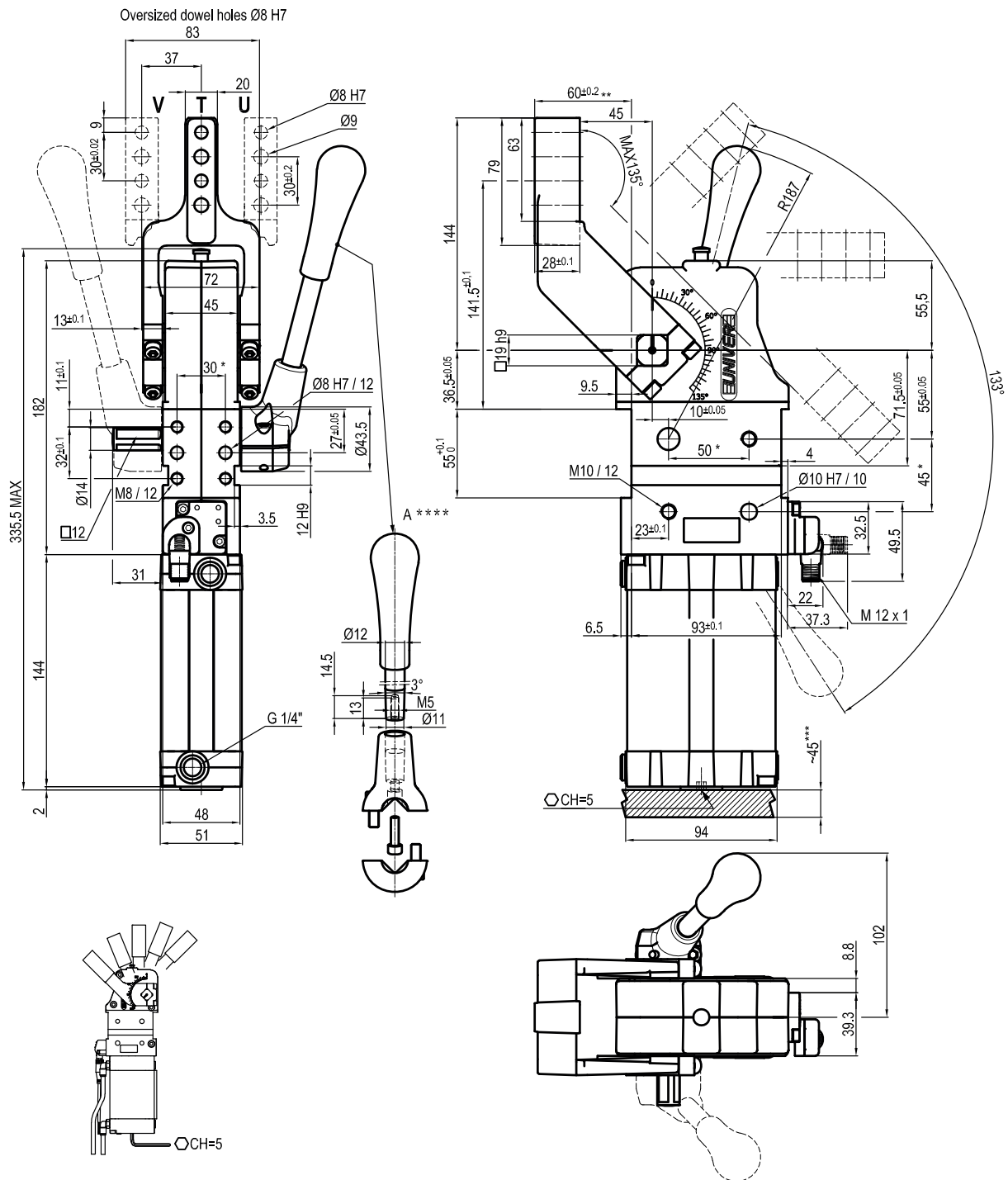
***: AREA TO ACCESS ANGLE ADJUSTMENT

****: DIMENSIONS TO BE RESPECTED IN CASE OTHER MANUAL LEVERS ARE USED

Subject to technical modifications without notice

UCBM630__K0

oversized dowel holes - 45 mm



Bore Ø	Holding moment	Clamping moment (0,5 MPa)	Weight (clamping arm not included)
63 mm	1750 Nm	420 Nm	3,6 Kg

 Min./Max. operating pressure: **0,4 / 0,6 MPa**

 Operating temperature: **5° ÷ 45° C**

 Opening angle: **adjustable from 0° to 135°**

 Arm position: **180°**

With hand lever

Electronic sensor with M12 swivel connector, from 0° to 90°, in steps of 10°

Supply voltage: 10 ÷ 30 Vdc

 IP code: **IP 65**

Pneumatic ports on both sides

*: TOLERANCE BETWEEN DOWELS ± 0,02, BETWEEN SCREW HOLES ± 0,1

**: TOLERANCE AT 80 mm FROM PIVOT POINT

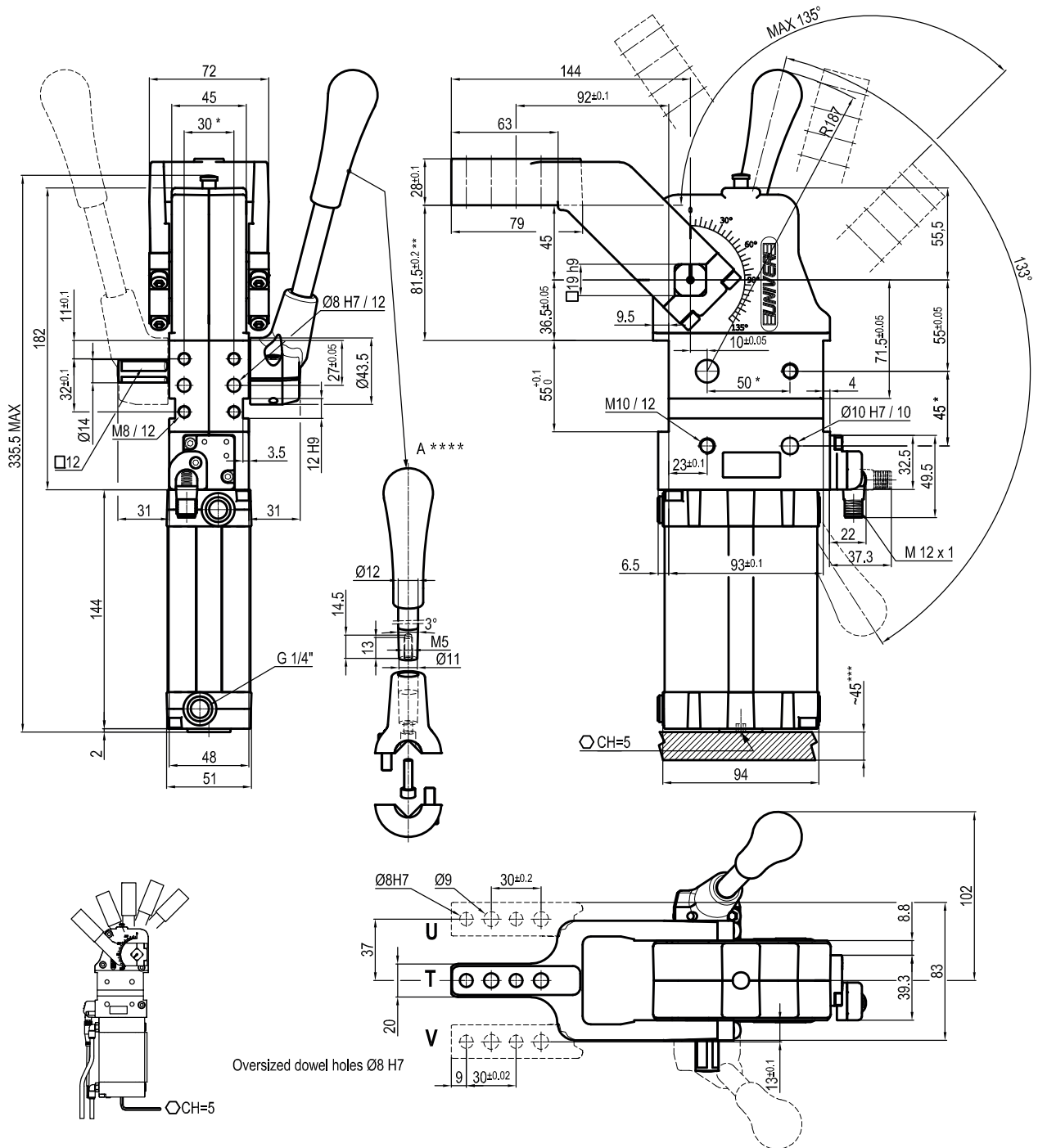
***: AREA TO ACCESS ANGLE ADJUSTMENT

****: DIMENSIONS TO BE RESPECTED IN CASE OTHER MANUAL LEVERS ARE USED

Subject to technical modifications without notice

UCBM63V__K0

oversized dowel holes - 45 mm



Bore Ø	Holding moment	Clamping moment (0,5 MPa)	Weight (clamping arm not included)
63 mm	1750 Nm	420 Nm	3,6 Kg

 Min./Max. operating pressure: **0,4 / 0,6 MPa**

 Operating temperature: **5° ÷ 45° C**

 Opening angle: **adjustable from 0° to 135°**

 Arm position: **90°**

With hand lever

Electronic sensor with M12 swivel connector, from 0° to 90°, in steps of 10°

Supply voltage: 10 ÷ 30 Vdc

 IP code: **IP 65**

Pneumatic ports on both sides

*: TOLERANCE BETWEEN DOWELS ± 0,02, BETWEEN SCREW HOLES ± 0,1

**: TOLERANCE AT 80 mm FROM PIVOT POINT

***: AREA TO ACCESS ANGLE ADJUSTMENT

****: DIMENSIONS TO BE RESPECTED IN CASE OTHER MANUAL LEVERS ARE USED

Subject to technical modifications without notice