

UCBH63

Unità di bloccaggio UNICLAMP



| | | | | | | | | | | |
|---|---|---|---|---|---|---|---|---|---|---|
| U | C | B | H | 6 | 3 | O | E | A | K | O |
| 1 | 2 | 3 | 4 | 5 | 6 | 7 | 8 | 9 | | |

| 1 Serie | 2 Standard | 3 Versione | 4 Taglia |
|---------|------------|------------|----------|
|---------|------------|------------|----------|

UC = Unità di bloccaggio UNICLAMP con regolazione continua angolo d'apertura da: **0° a 135° Max**
L'angolo di apertura può variare a seconda della posizione e della tipologia del pressore

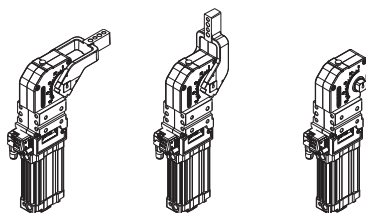
B = Standard Europeo

H = Pneumatica 22

63 = Ø 63 mm

| 5 Posizione pressore | 6 Tipo di pressore |
|----------------------|--------------------|
|----------------------|--------------------|

V = 90° **O** = 180° **N** = Senza pressore



C = Centrale, 15 mm Offset
D = Destro, 15 mm Offset
S = Sinistro, 15 mm Offset
E = Centrale, 45 mm Offset
F = Destro, 45 mm Offset
L = Sinistro, 45 mm Offset
X* = Centrale, fori spina maggiorati Ø 8 H7, 15 mm Offset
Y* = Destro, fori spina maggiorati Ø 8 H7, 15 mm Offset
Z* = Sinistro, fori spina maggiorati Ø 8 H7, 15 mm Offset
T* = Centrale, fori spina maggiorati Ø 8 H7, 45 mm Offset
U* = Destro, fori spina maggiorati Ø 8 H7, 45 mm Offset
V* = Sinistro, fori spina maggiorati Ø 8 H7, 45 mm Offset
N = Senza pressore

* = Disponibili su richiesta

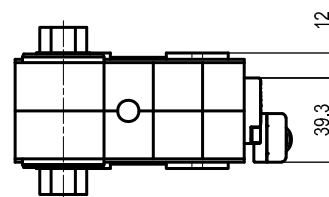
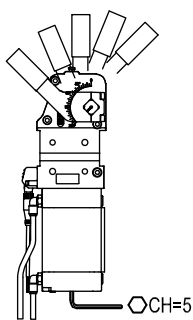
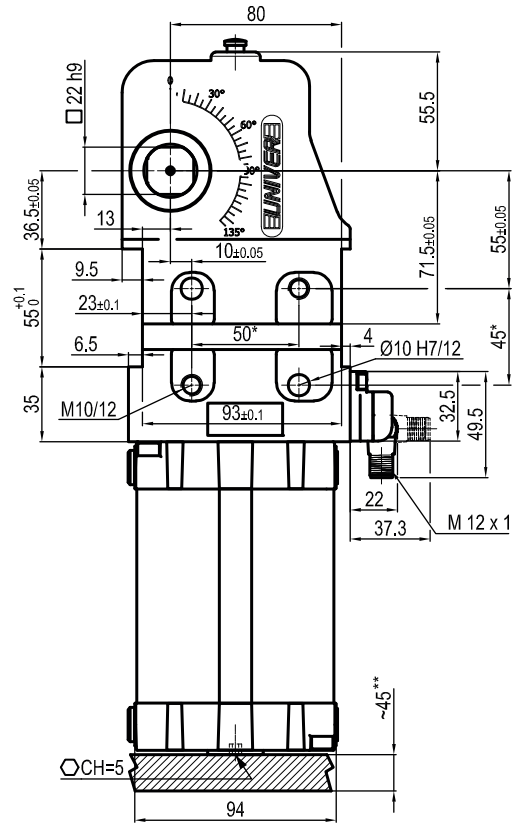
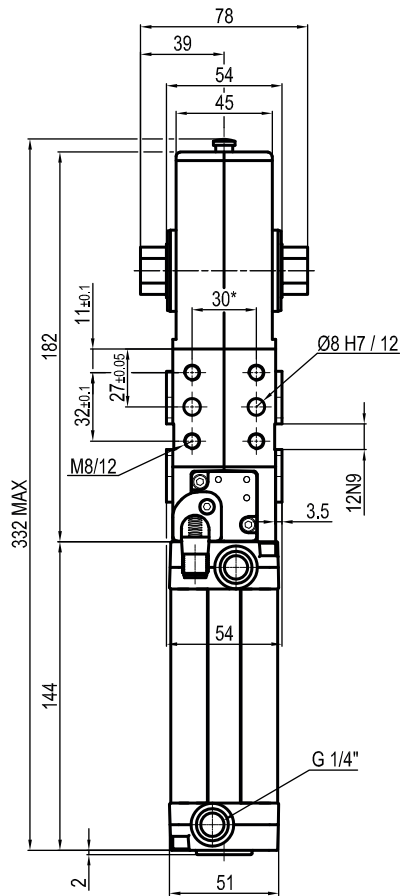
| 7 Materiale pressore | 8 Sensore | 9 Revisione prodotto |
|----------------------|-----------|----------------------|
|----------------------|-----------|----------------------|

A = Alluminio
S = Acciaio
N = Senza pressore

N = Senza sensore (con piastra di chiusura)
K = Sensore elettronico PNP (ottico) (DF-K)
D = Sensore pneumatico
J = Sensore elettronico NPN (ottico) (DF-J)
Y = Sensore elettronico PNP (ottico) (DF-Y) led bianco

Assegnato da UNIVER

UCBH63NNNK0



| Bore Ø | Holding moment | Clamping moment (0,5 MPa) | Weight (clamping arm not included) |
|--------|----------------|---------------------------|------------------------------------|
| 63 mm | 1750 Nm | 420 Nm | 3,2 Kg |

 Min./Max. operating pressure: **0,4 / 0,6 MPa**

 Operating temperature: **5° ÷ 45° C**

 Opening angle: **adjustable**

Without arm

Electronic sensor with M12 swivel connector, from 0° to 90°, in steps of 10°

Supply voltage: 10 ÷ 30 Vdc

 IP code: **IP 65**

Pneumatic ports on both sides

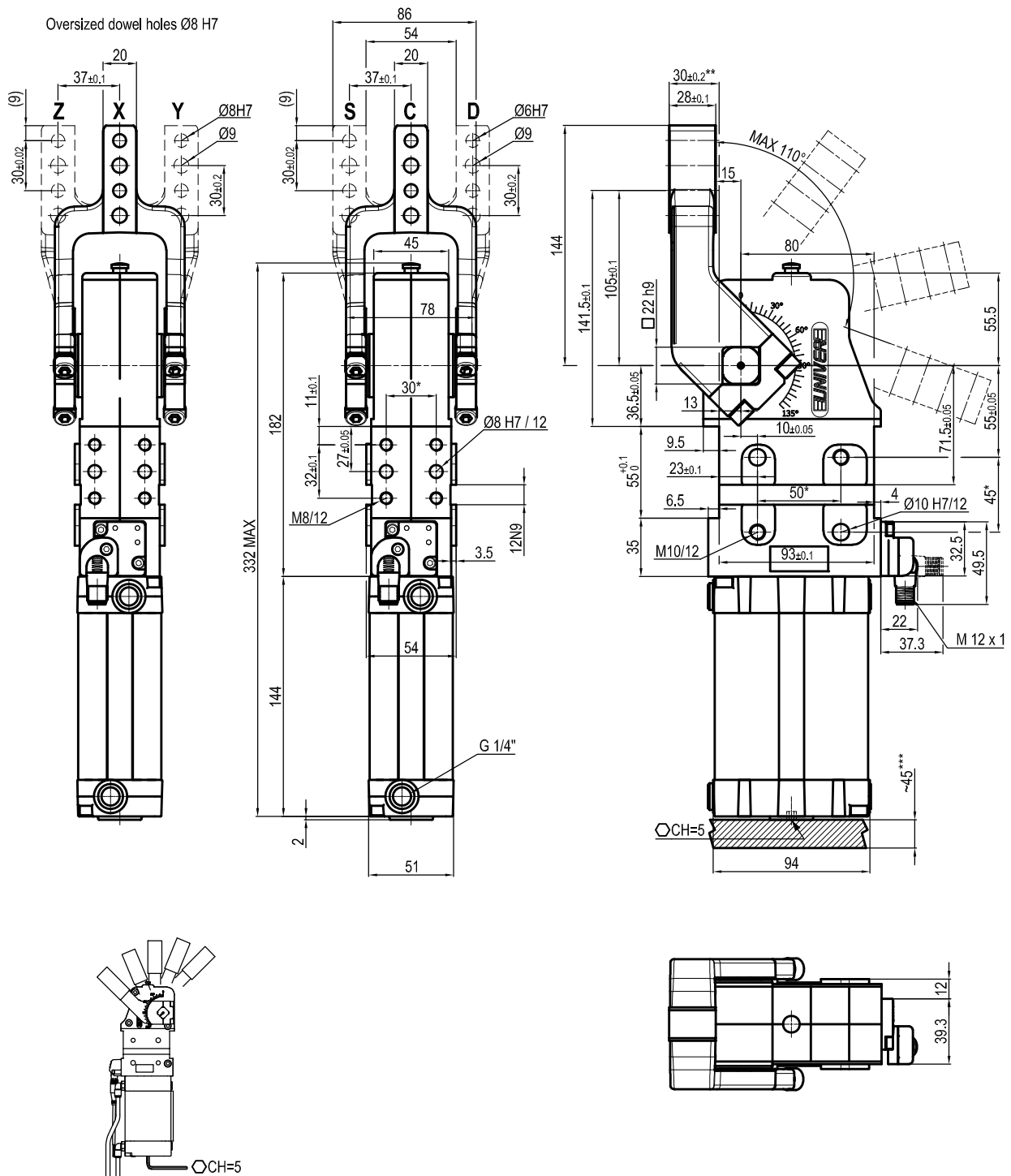
*: TOLERANCE BETWEEN DOWELS ± 0,02, BETWEEN SCREW HOLES ± 0,1

**: AREA TO ACCESS ANGLE ADJUSTMENT

Subject to technical modifications without notice

UCBH630_K0

15 mm



| Bore Ø | Holding moment | Clamping moment (0,5 MPa) | Weight (clamping arm not included) |
|--------|----------------|---------------------------|------------------------------------|
| 63 mm | 1750 Nm | 420 Nm | 3,2 Kg |

 *: TOLERANCE BETWEEN DOWELS $\pm 0,02$, BETWEEN SCREW HOLES $\pm 0,1$

**: TOLERANCE AT 80 mm FROM PIVOT POINT

***: AREA TO ACCESS ANGLE ADJUSTMENT

 Min./Max. operating pressure: **0,4 / 0,6 MPa**

 Operating temperature: **5° ÷ 45° C**

 Opening angle: **adjustable from 0° to 110°**

 Arm position: **180°**

Electronic sensor with M12 swivel connector, from 0° to 90°, in steps of 10°

Supply voltage: 10 ÷ 30 Vdc

 IP code: **IP 65**

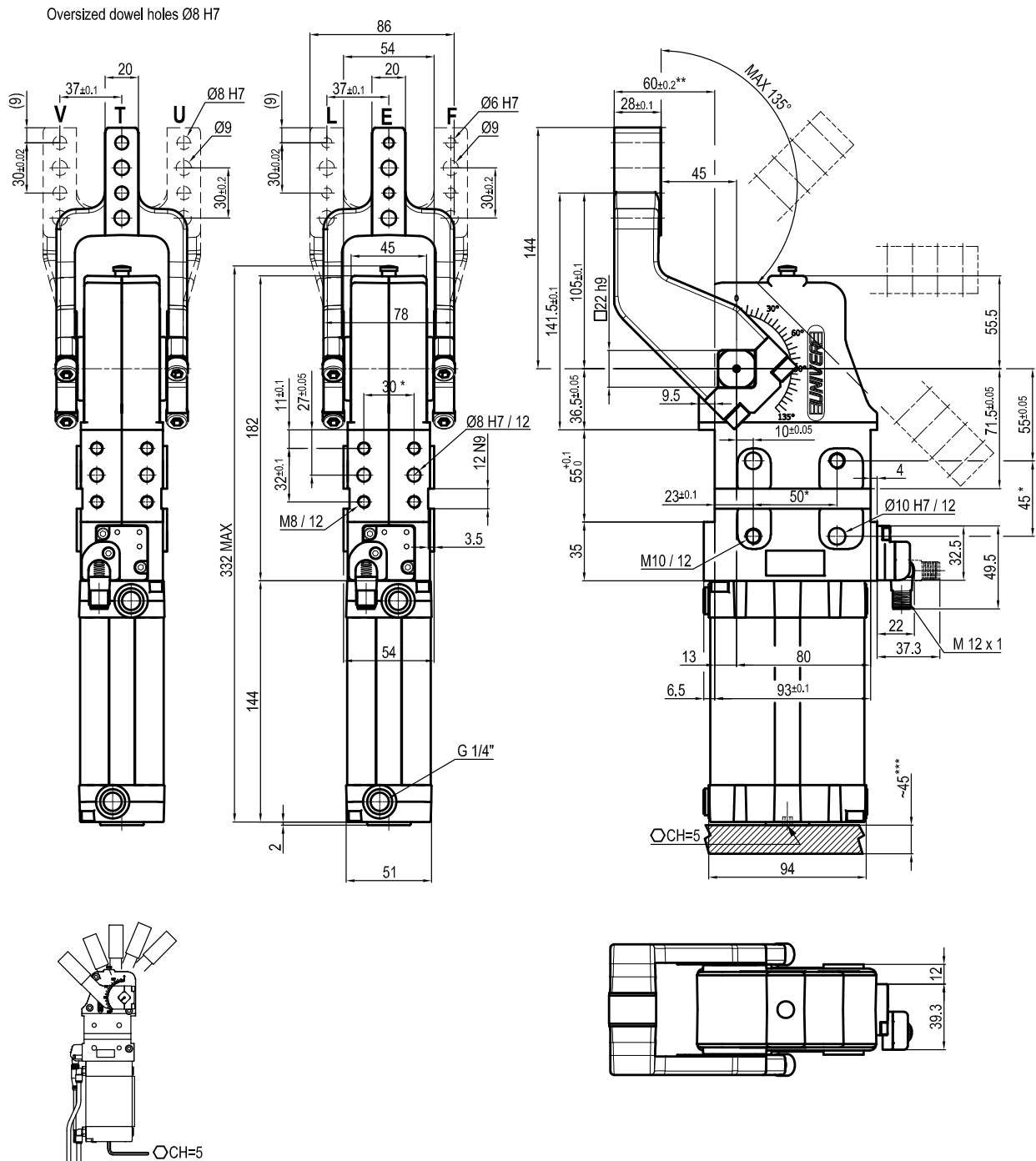
Pneumatic ports on both sides

Subject to technical modifications without notice

Rev. 01 26.01.22

UCBH630__K0

45 mm



| Bore Ø | Holding moment | Clamping moment (0,5 MPa) | Weight (clamping arm not included) |
|--------|----------------|---------------------------|------------------------------------|
| 63 mm | 1750 Nm | 420 Nm | 3,2 Kg |

Min./Max. operating pressure: **0,4 / 0,6 MPa**
 Operating temperature: **5° ÷ 45° C**
 Opening angle: **adjustable from 0° to 135°**
 Arm position: **180°**
 Electronic sensor with M12 swivel connector, from 0° to 90°, in steps of 10°
 Supply voltage: 10 ÷ 30 Vdc
 IP code: **IP 65**
 Pneumatic ports on both sides

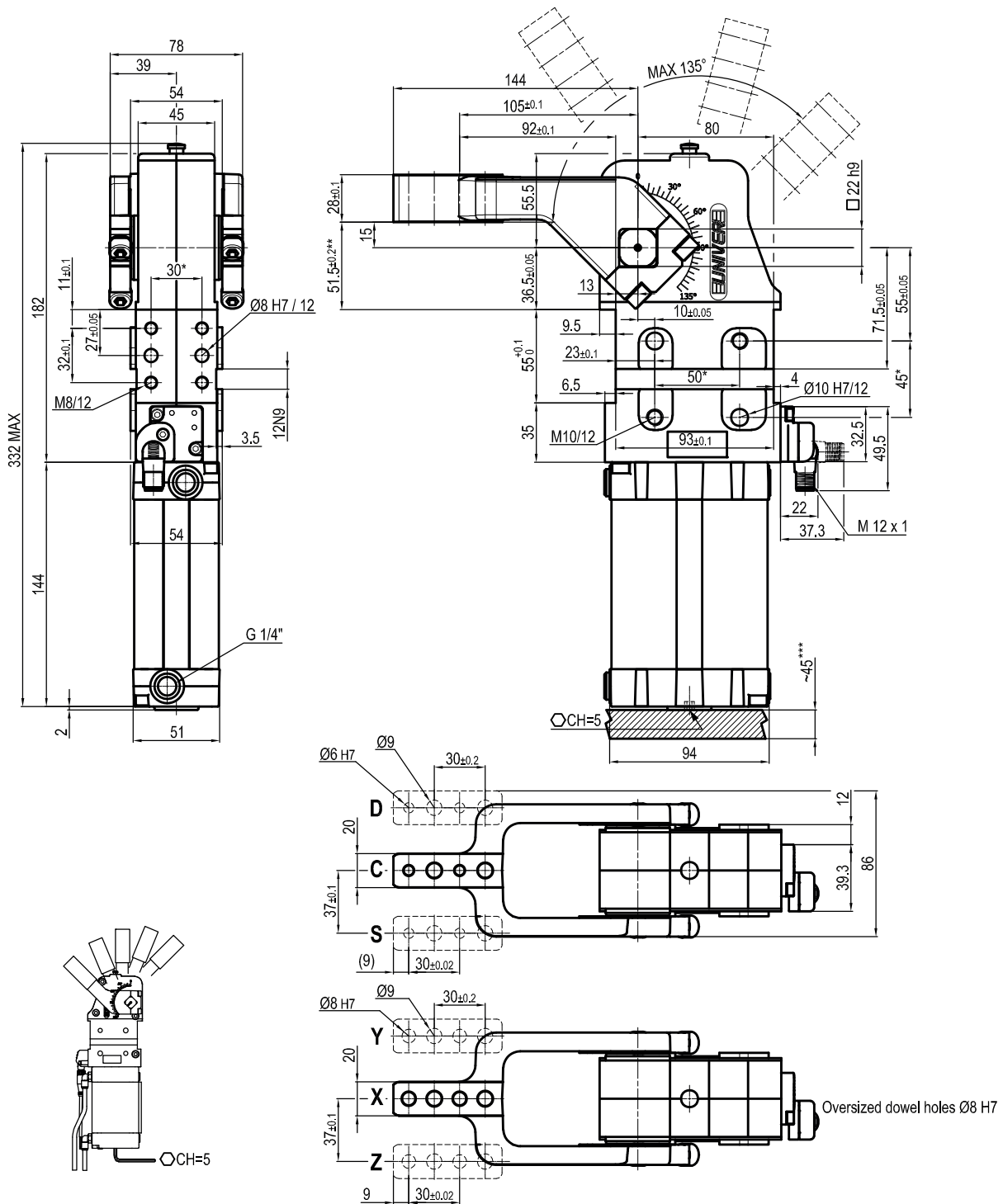
*: TOLERANCE BETWEEN DOWELS ± 0,02, BETWEEN SCREW HOLES ± 0,1
 **: TOLERANCE AT 80 mm FROM PIVOT POINT
 ***: AREA TO ACCESS ANGLE ADJUSTMENT

Subject to technical modifications without notice

Rev. 01 26.01.22

UCBH63V__K0

15 mm



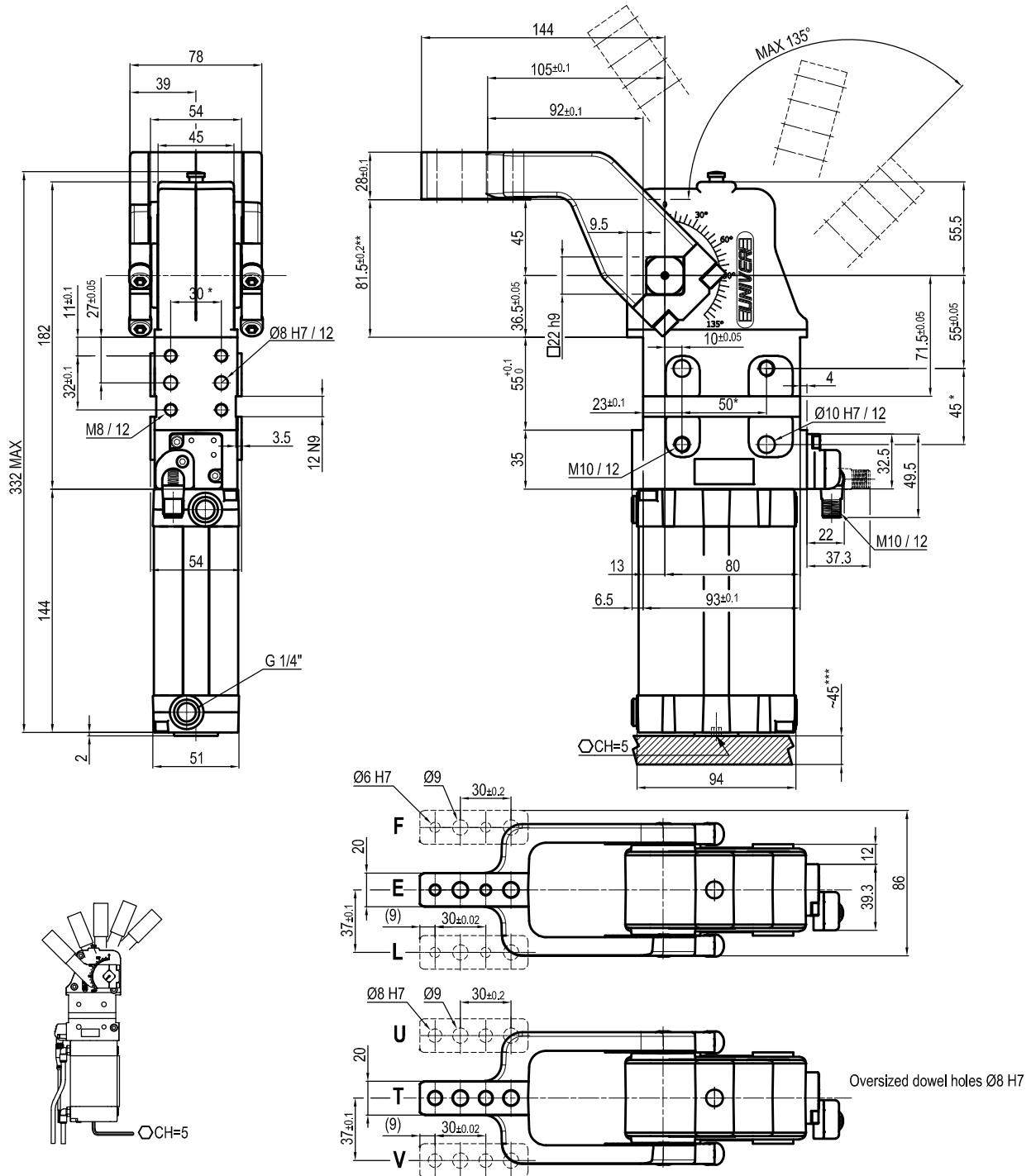
| Bore Ø | Holding moment | Clamping moment (0,5 MPa) | Weight (clamping arm not included) |
|-----------|-------------------|------------------------------|---------------------------------------|
| 63 mm | 1750 Nm | 420 Nm | 3,2 Kg |

Min./Max. operating pressure: **0,4 / 0,6 MPa**
 Operating temperature: **5° ÷ 45° C**
 Opening angle: **adjustable from 0° to 135°**
 Arm position: **90°**
 Electronic sensor with M12 swivel connector, from 0° to 90°,
 in steps of 10°
 Supply voltage: 10 ÷ 30 Vdc
 IP code: **IP 65**
 Pneumatic ports on both sides

*: TOLERANCE BETWEEN DOWELS ± 0,02, BETWEEN SCREW HOLES ± 0,1
 **: TOLERANCE AT 80 mm FROM PIVOT POINT
 ***: AREA TO ACCESS ANGLE ADJUSTMENT

UCBH63V__K0

45 mm



| Bore Ø | Holding moment | Clamping moment (0,5 MPa) | Weight (clamping arm not included) |
|--------|----------------|---------------------------|------------------------------------|
| 63 mm | 1750 Nm | 420 Nm | 3,2 Kg |

Min./Max. operating pressure: **0,4 / 0,6 MPa**
 Operating temperature: **5° ÷ 45° C**
 Opening angle: **adjustable from 0° to 135°**
 Arm position: **90°**
 Electronic sensor with M12 swivel connector, from 0° to 90°, in steps of 10°
 Supply voltage: 10 ÷ 30 Vdc
 IP code: **IP 65**
 Pneumatic ports on both sides

*: TOLERANCE BETWEEN DOWELS ± 0,02, BETWEEN SCREW HOLES ± 0,1
 **: TOLERANCE AT 80 mm FROM PIVOT POINT
 ***: AREA TO ACCESS ANGLE ADJUSTMENT

Subject to technical modifications without notice

Rev. 01 26.01.22