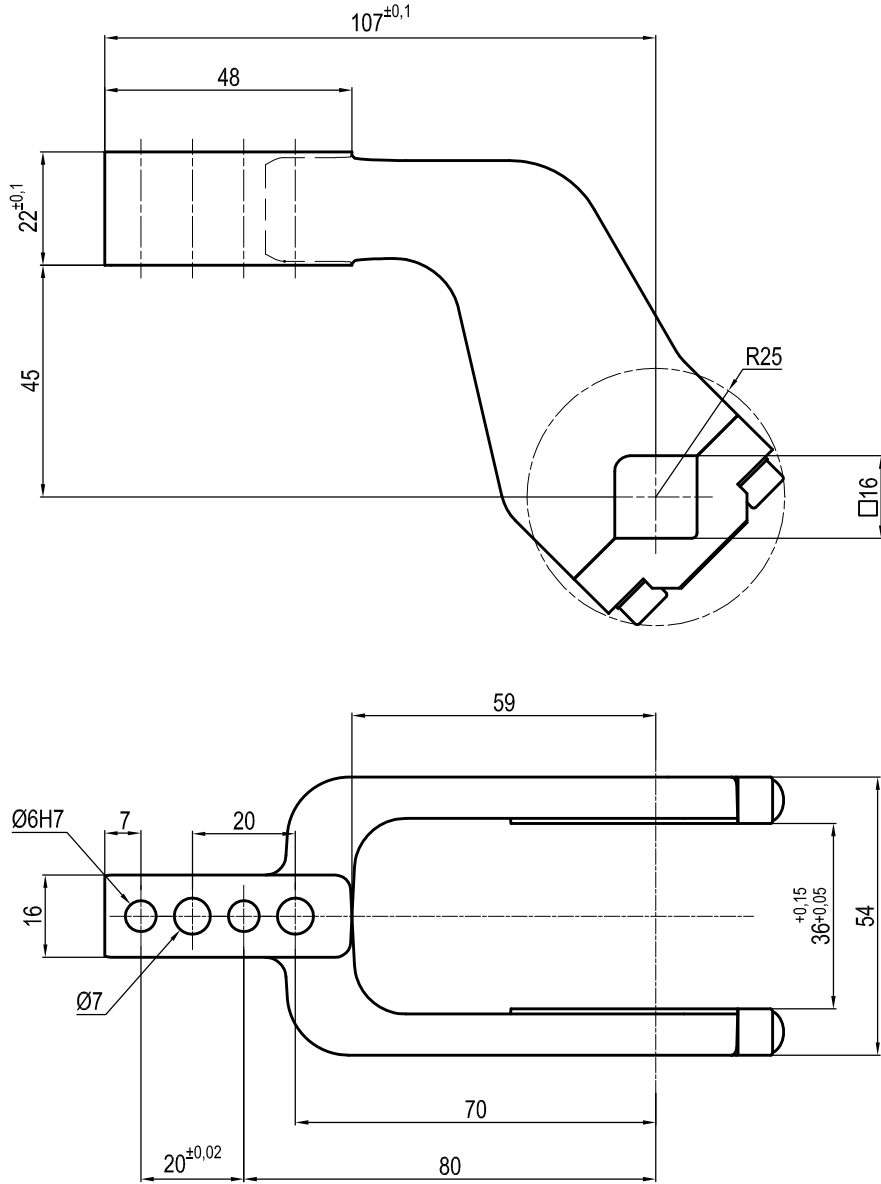


UKP01E

□ 16 mm - offset 45 mm



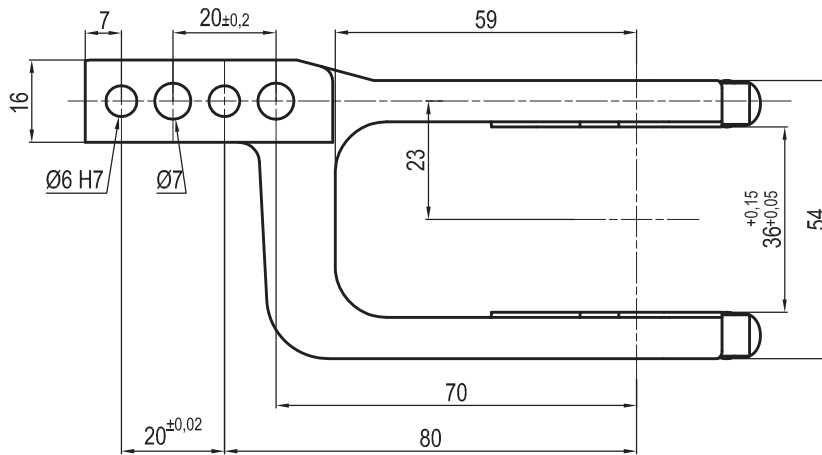
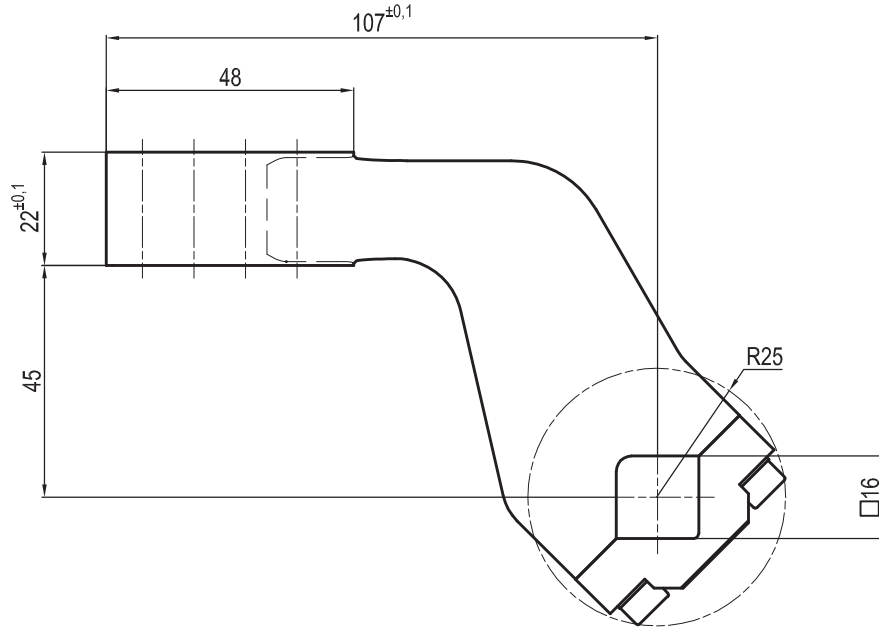
Clamp size	Material	Weight
40 mm	Aluminium	0,25 Kg

THE CLAMPING ARM INCLUDES THE NECESSARY SCREWS

Subject to technical modifications without notice

UKP01F

□ 16 mm - offset 45 mm



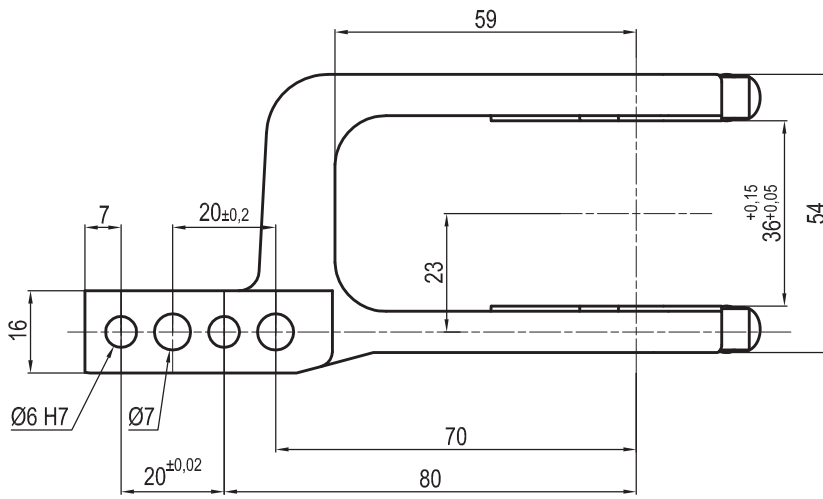
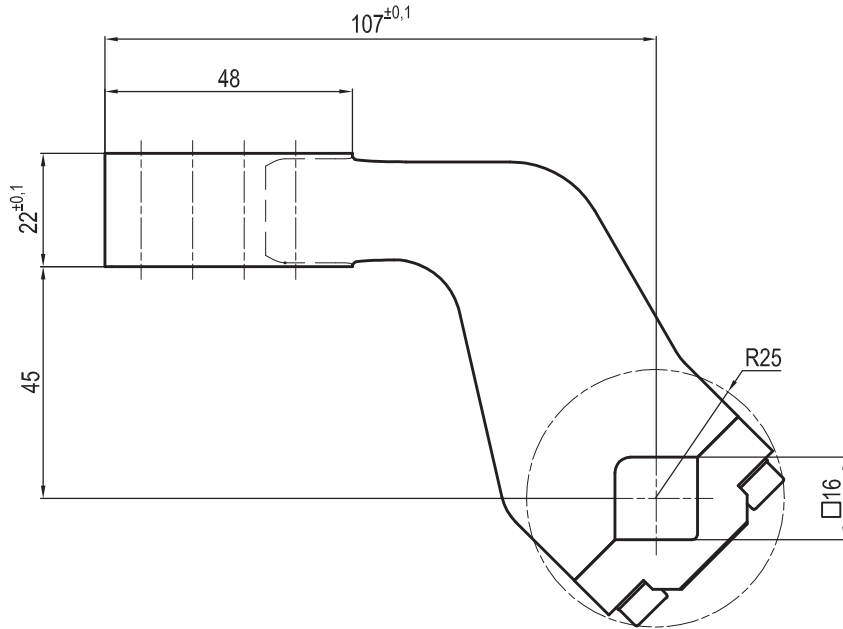
Clamp size	Material	Weight
40 mm	Aluminium	0,25 Kg

THE CLAMPING ARM INCLUDES THE NECESSARY SCREWS

Subject to technical modifications without notice

UKP01L

□ 16 mm - offset 45 mm



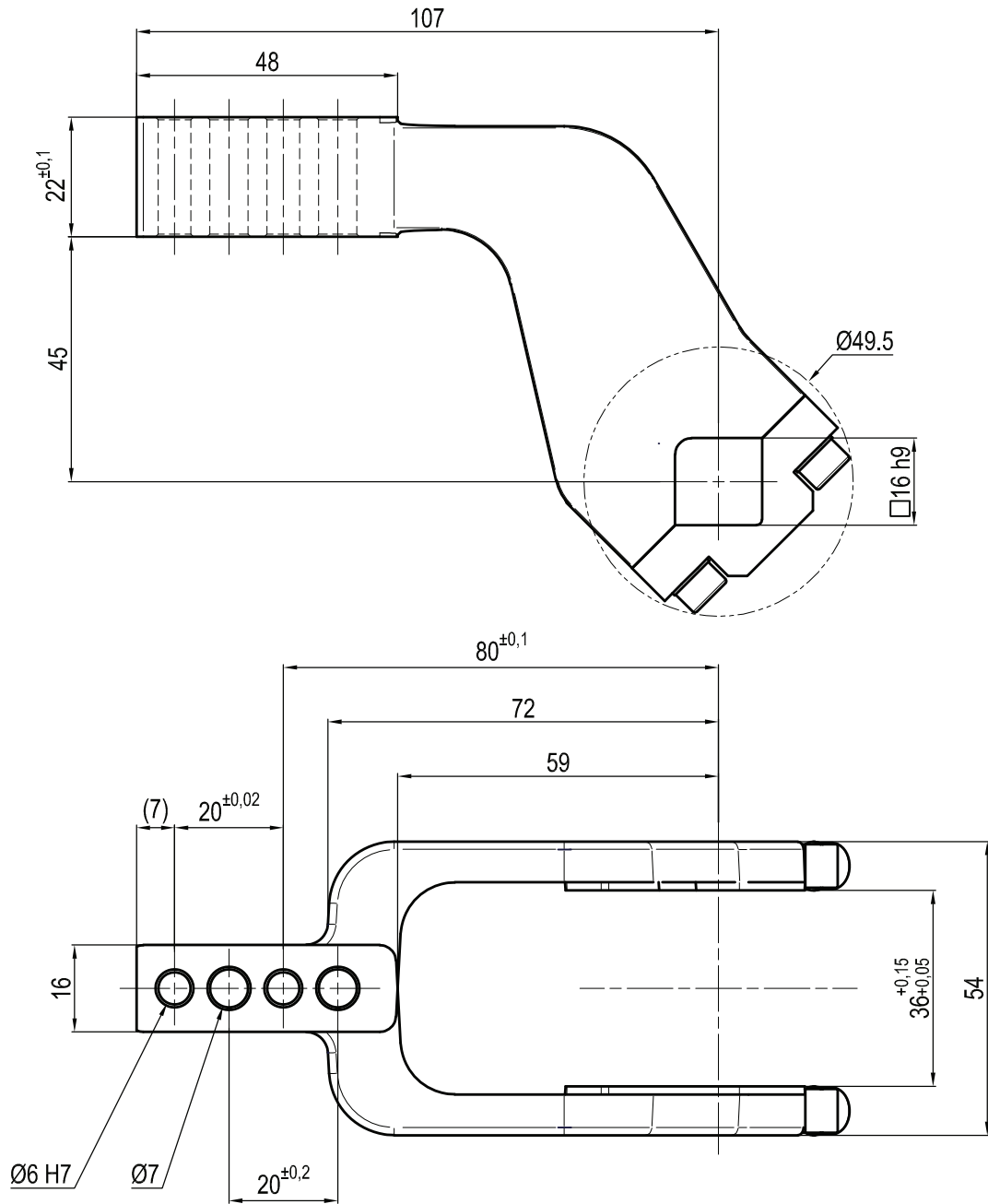
Clamp size	Material	Weight
40 mm	Aluminium	0,25 Kg

THE CLAMPING ARM INCLUDES THE NECESSARY SCREWS

Subject to technical modifications without notice

UKP01ES

□ 16 mm - offset 45 mm



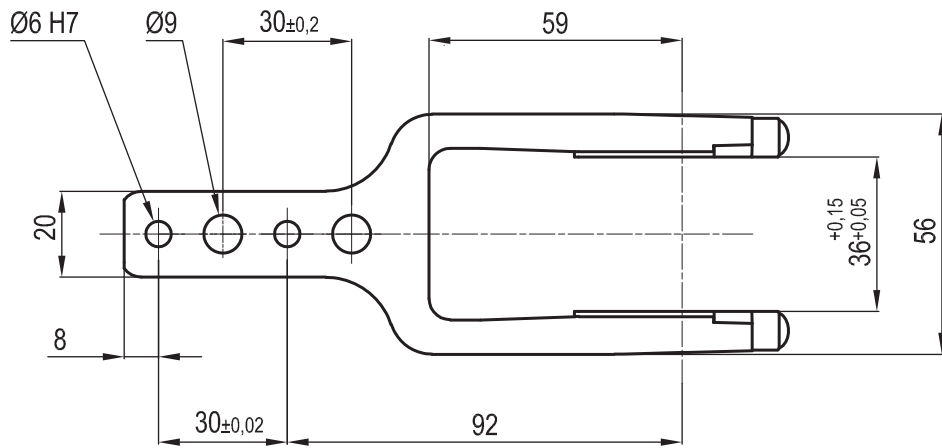
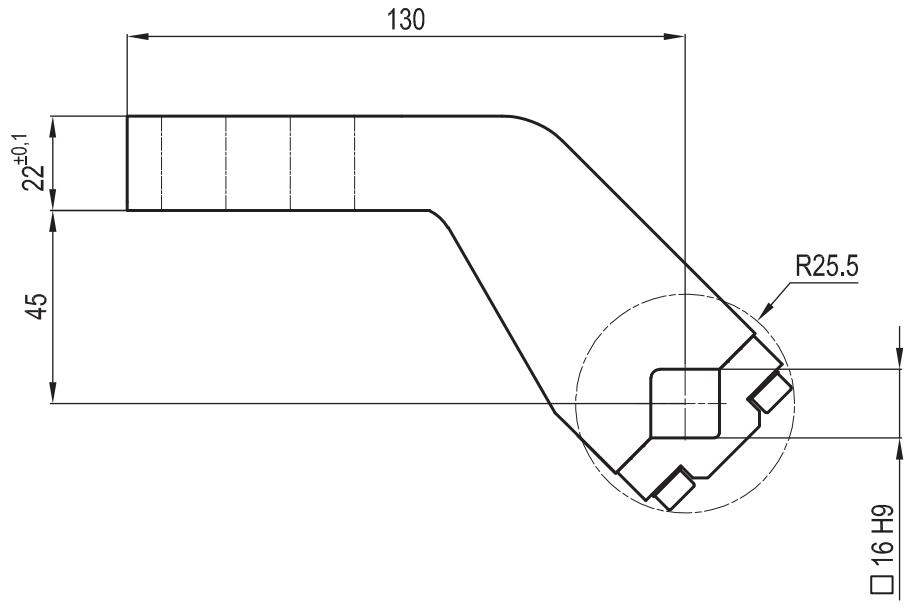
Clamp size	Material	Weight
40 mm	Steel	0,23 Kg

THE CLAMPING ARM INCLUDES THE NECESSARY SCREWS

Subject to technical modifications without notice

**IKP40E**

□ 16 mm - offset 45 mm



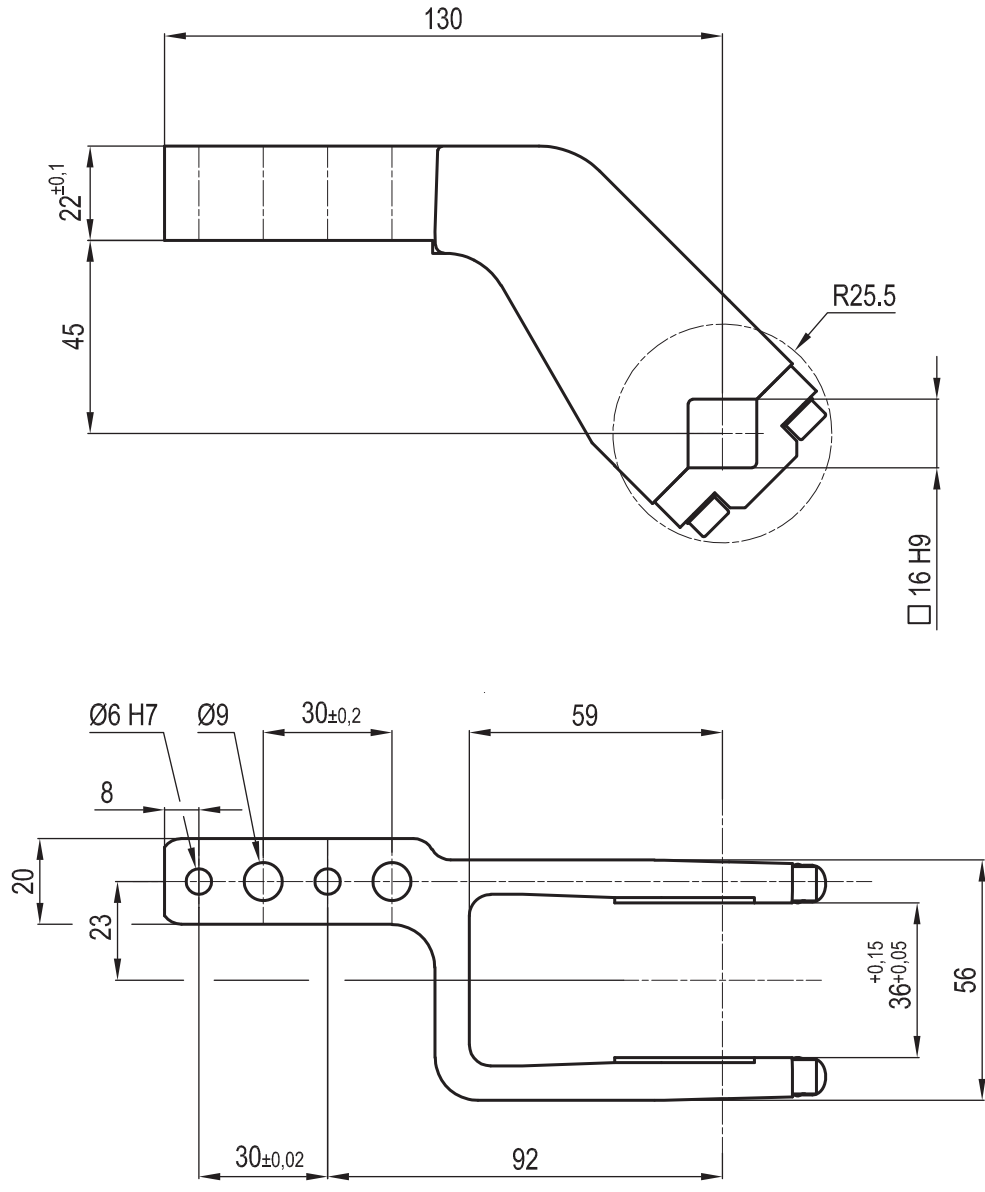
Clamp size	Material	Weight
40 mm	Aluminium	0,3 Kg

THE CLAMPING ARM INCLUDES THE NECESSARY SCREWS

Subject to technical modifications without notice

**IKP40F**

□ 16 mm - offset 45 mm



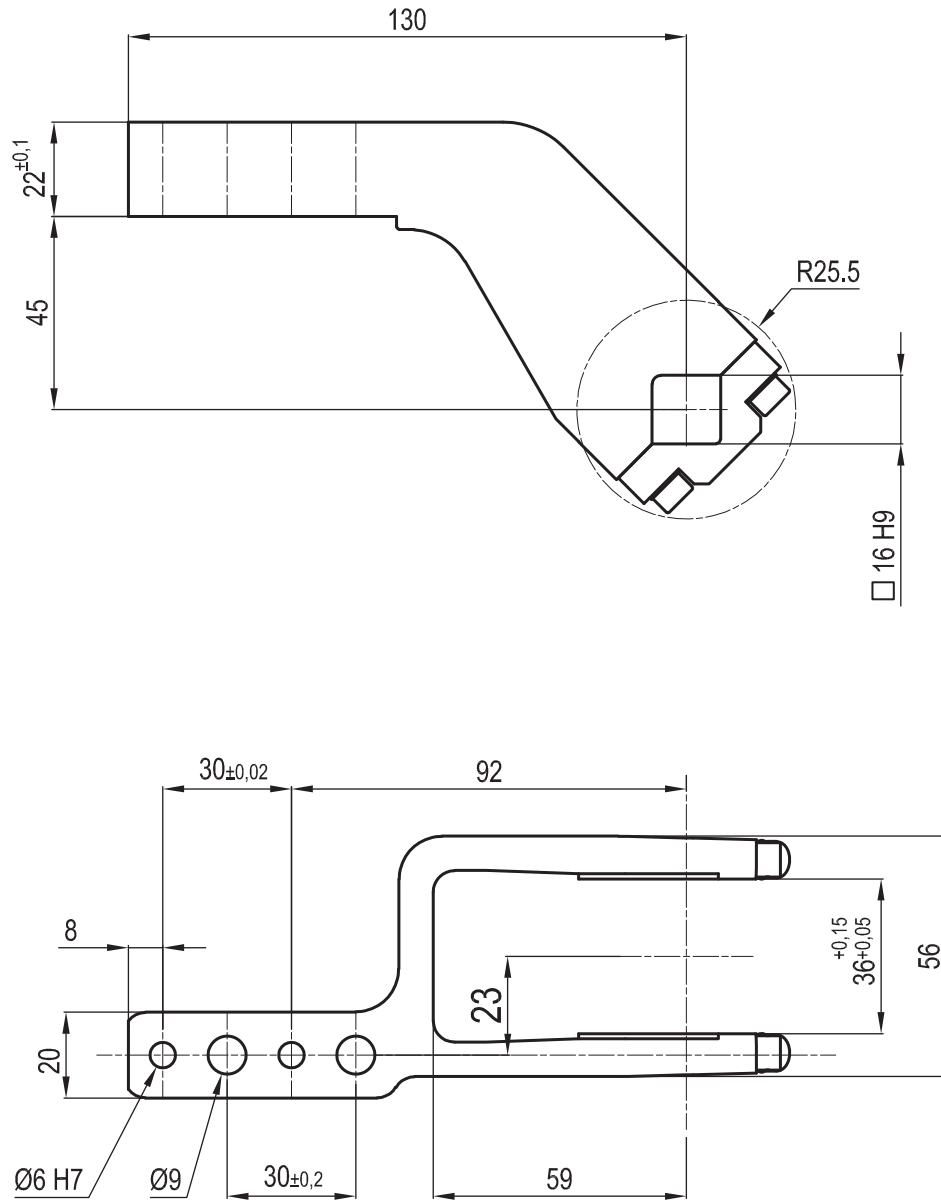
Clamp size	Material	Weight
40 mm	Aluminium	0,3 Kg

THE CLAMPING ARM INCLUDES THE NECESSARY SCREWS

Subject to technical modifications without notice

### IKP40L

□ 16 mm - offset 45 mm



Clamp size	Material	Weight
40 mm	Aluminium	0,3 Kg

THE CLAMPING ARM INCLUDES THE NECESSARY SCREWS

Subject to technical modifications without notice

Rev. 02 15.02.17