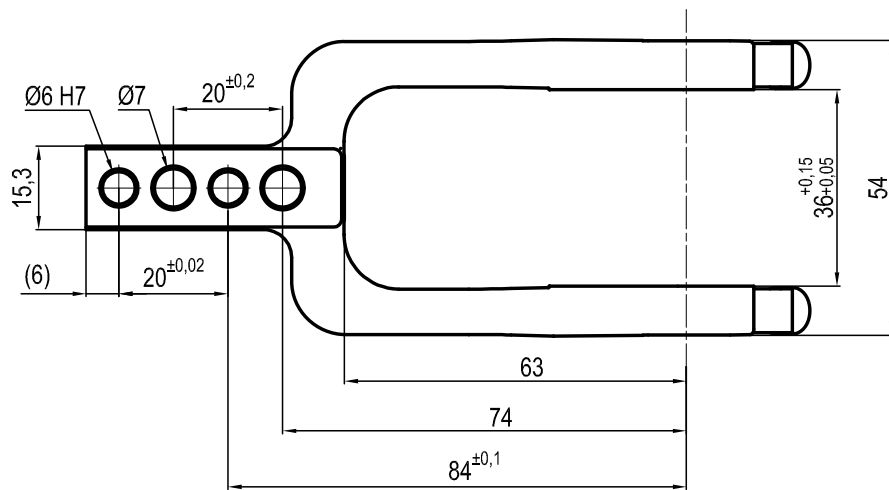
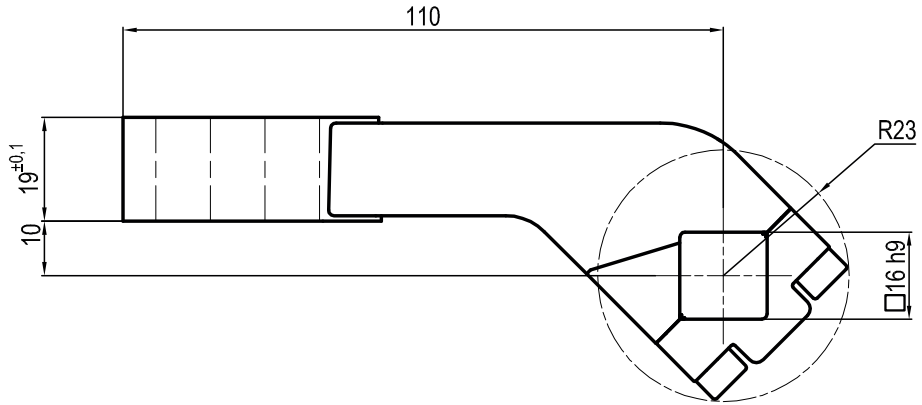


LKP40A

□ 16 mm - offset 10 mm



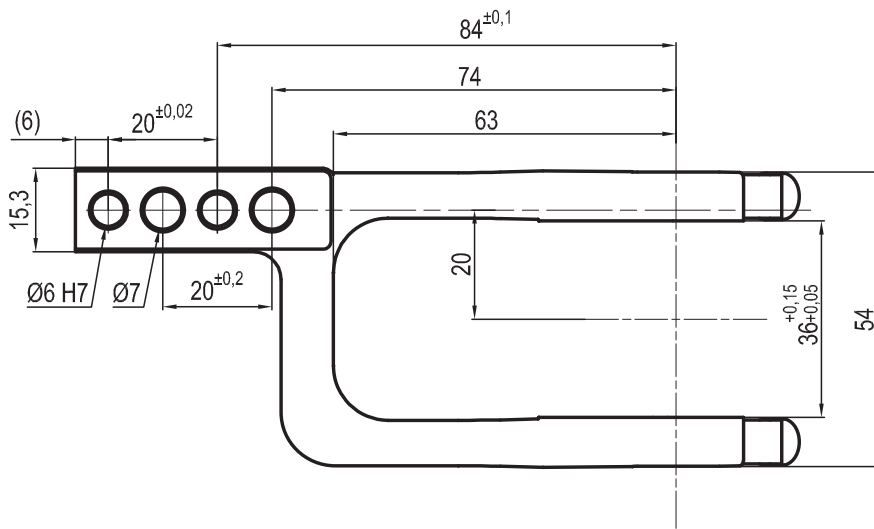
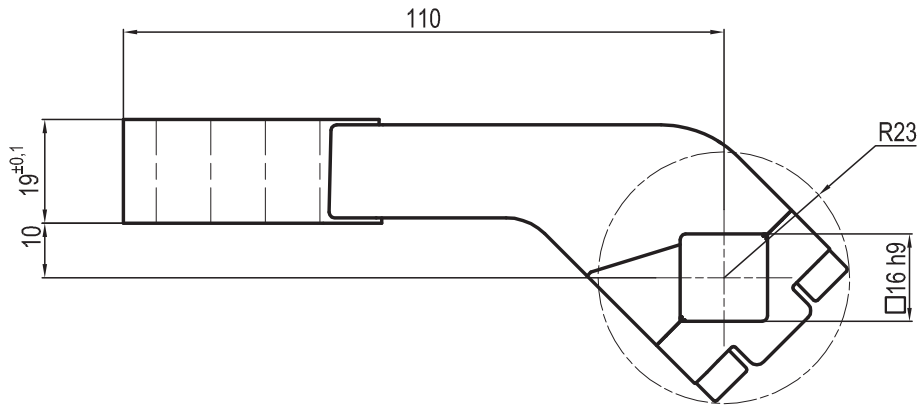
Clamp size	Material	Weight
40 mm	Aluminium	0,2 Kg

THE CLAMPING ARM INCLUDES THE NECESSARY SCREWS

Subject to technical modifications without notice

LKP40B

□ 16 mm - offset 10 mm



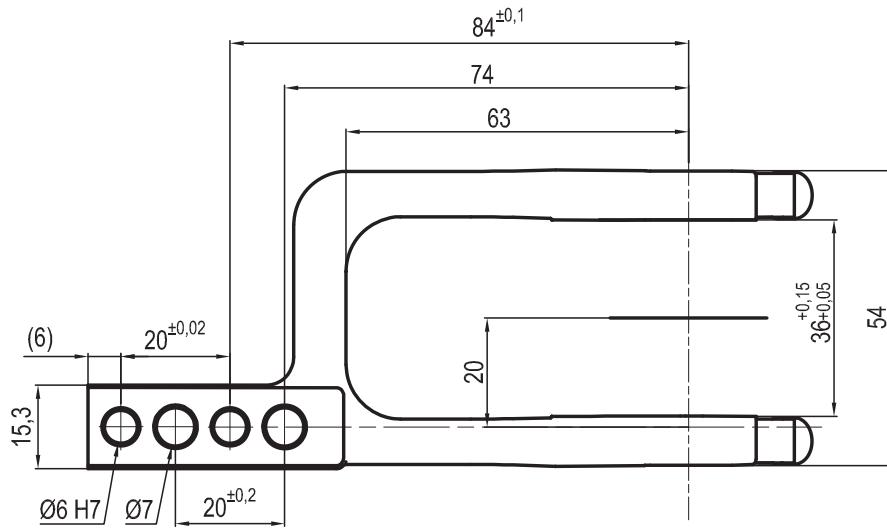
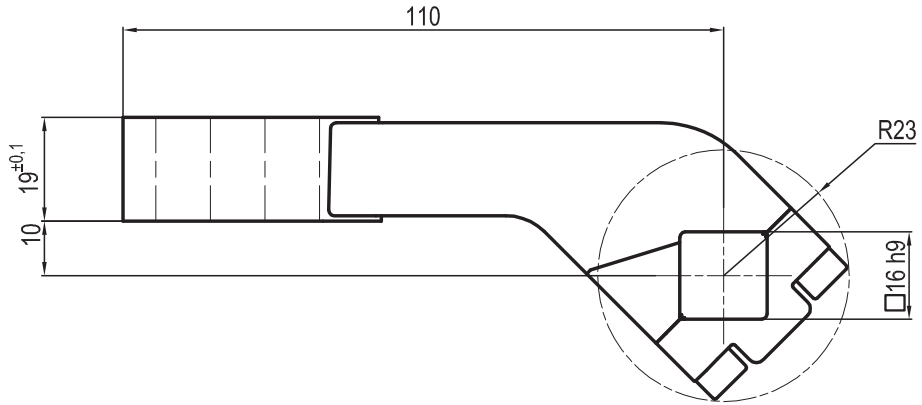
Clamp size	Material	Weight
40 mm	Aluminium	0,2 Kg

THE CLAMPING ARM INCLUDES THE NECESSARY SCREWS

Subject to technical modifications without notice

LKP40G

□ 16 mm - offset 10 mm



Clamp size	Material	Weight
40 mm	Aluminium	0,2 Kg

THE CLAMPING ARM INCLUDES THE NECESSARY SCREWS

Subject to technical modifications without notice

Rev. 02 15.07.16