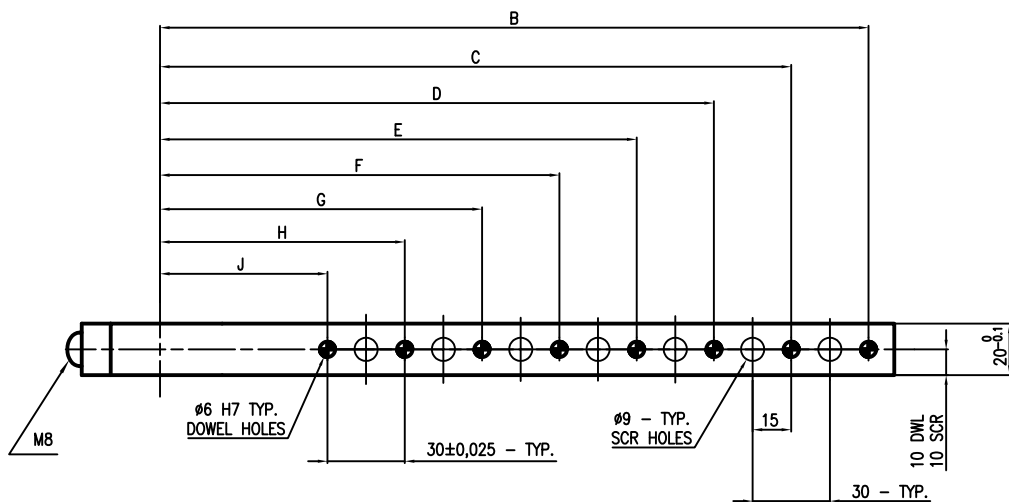
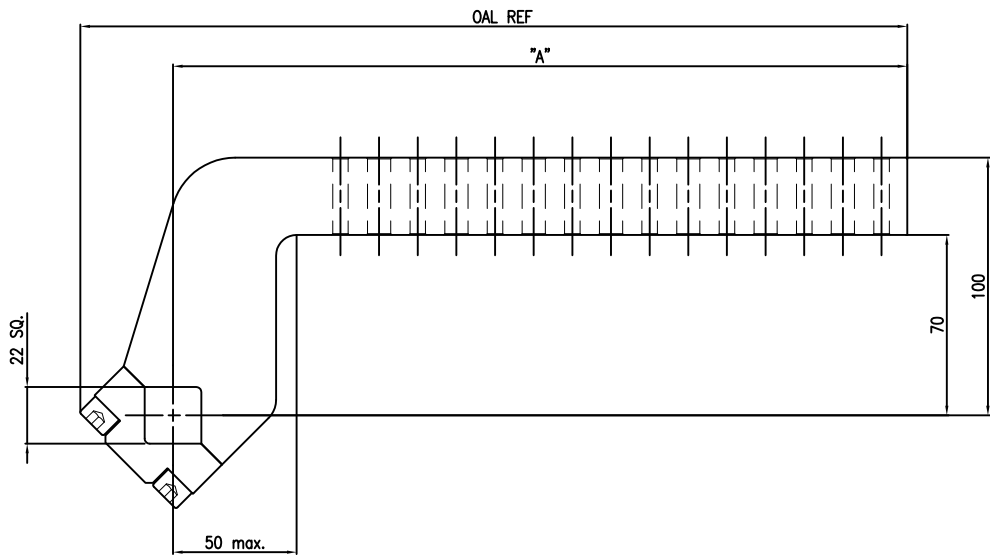


□22 mm, offset 70 mm



Code	N.A.A.M.S. Code	A	B Dowel	C	D Dowel	E	F Dowel	G	H Dowel	J	Weight Kg	OAL REF	Material
LKPGCA031M	GCA031M	135	125	95	65						1.29	171	Steel
LKPGCA032M	GCA032M	165	155	125	95	65					1.41	201	Steel
LKPGCA033M	GCA033M	195	185	155	125	95	65				1.53	231	Steel
LKPGCA034M	GCA034M	225	215	185	155	125	95	65			1.65	261	Steel
LKPGCA035M	GCA035M	255	245	215	185	155	125	95	65		1.77	291	Steel
LKPGCA036M	GCA036M	285	275	245	215	185	155	125	95	65	1.89	321	Steel

Subject to technical modifications without notice