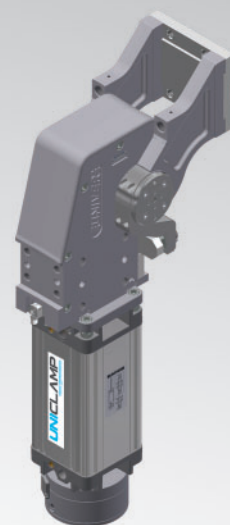


# UAGP

Unità rotante pneumatica UNICLAMP



|   |   |   |   |   |   |   |   |   |   |   |   |   |   |   |
|---|---|---|---|---|---|---|---|---|---|---|---|---|---|---|
| U | A | G | P | 0 | 8 | 0 | O | A | 0 | 9 | 0 | B | S | 0 |
| 1 | 2 | 3 | 4 | 5 | 6 | 7 | 8 | 9 |   |   |   |   |   |   |

| 1 Serie | 2 Versione | 3 Taglia |
|---------|------------|----------|
|---------|------------|----------|

**UAG** = Unità rotante con angoli di rotazione determinati UNICLAMP

**P** = Pneumatica

|                            |                            |
|----------------------------|----------------------------|
| <b>075</b> = 75Nm Ø80 mm   | <b>215</b> = 210Nm Ø125 mm |
| <b>080</b> = 60Nm Ø80 mm   | <b>300</b> = 300Nm Ø160 mm |
| <b>120</b> = 110Nm Ø100 mm | <b>350</b> = 350Nm Ø160 mm |
| <b>150</b> = 120Nm Ø100 mm | <b>355</b> = 350Nm Ø160 mm |
| <b>155</b> = 120Nm Ø100 mm | <b>600</b> = 600Nm Ø200 mm |
| <b>170</b> = 170Nm Ø125 mm | <b>605</b> = 600Nm Ø200 mm |
| <b>210</b> = 210Nm Ø125 mm |                            |

| 4 Posizione tavola | 5 Sensore | 6 Angoli di rotazione |
|--------------------|-----------|-----------------------|
|--------------------|-----------|-----------------------|

**V** = Verticale 180°  
**O** = Orizzontale 90°  
**Z** = Verticale, speculare alla posizione V  
**P** = Orizzontale, speculare alla posizione O (massima apertura angolare 60°)

**K** = Sensore elettronico PNP (ottico) (DF-K)  
**A** = Sensore elettronico PNP (ottico) per angolo di apertura (DF-K) + sensore freno DF-U)

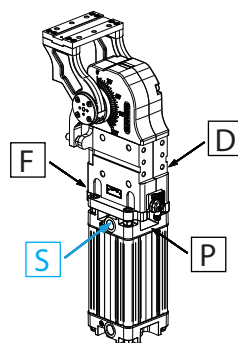
**120** = 120°  
**090** = 90°  
**060** = 60°  
**045** = 45°

| 7 Blocco di stazionamento | 8 Connessioni | 9 Revisione prodotto |
|---------------------------|---------------|----------------------|
|---------------------------|---------------|----------------------|

**B** = Con blocco di stazionamento  
**W** = Senza blocco di stazionamento  
**M** = Funzione di sblocco manuale su freno di stazionamento

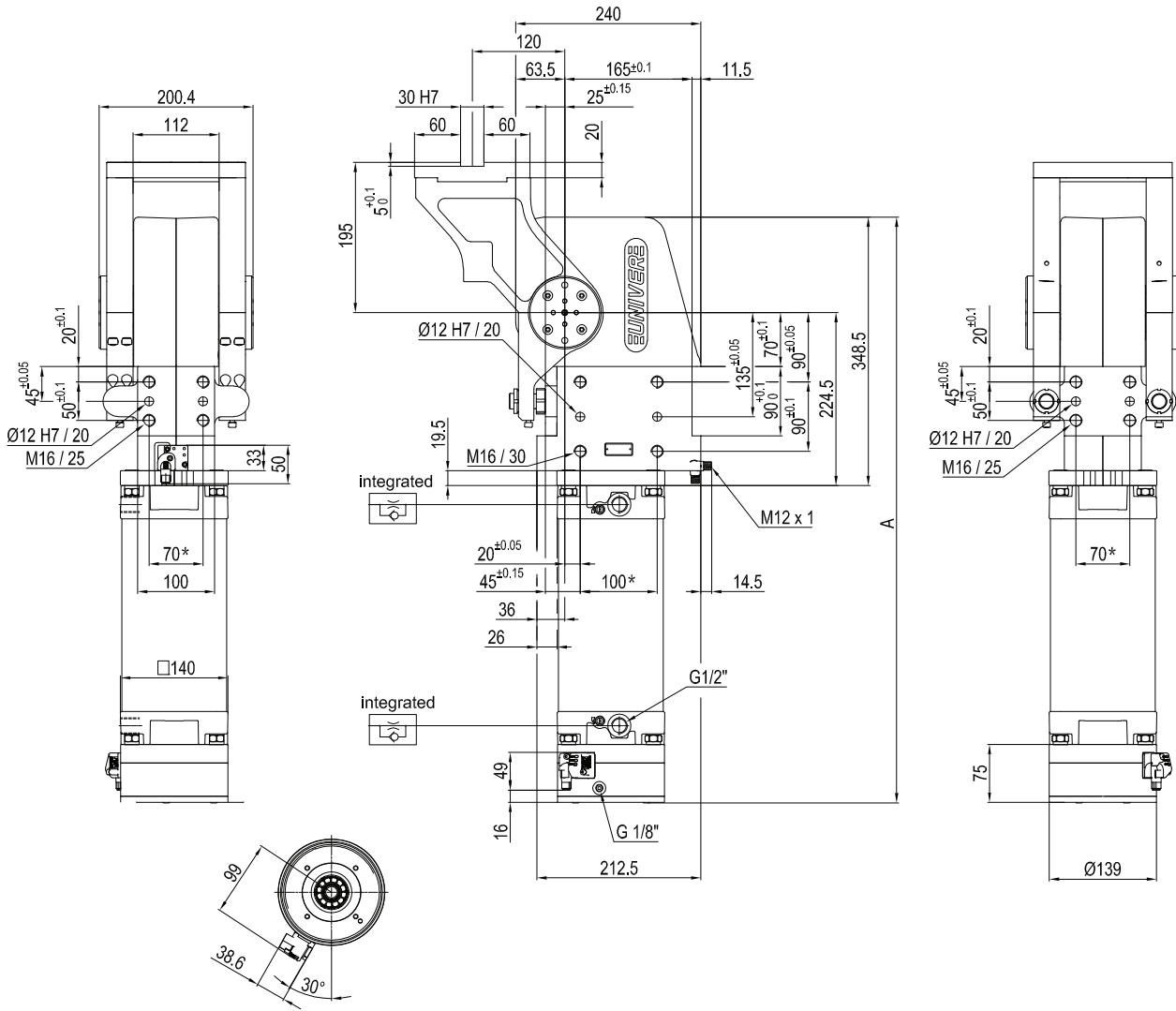
**S** = Lato sinistro  
**D** = Lato destro  
**F** = Lato frontale  
**P** = Lato posteriore

Assegnato da UNIVER

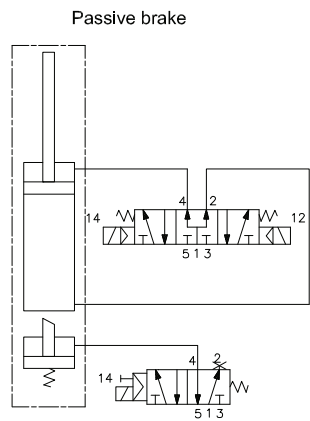
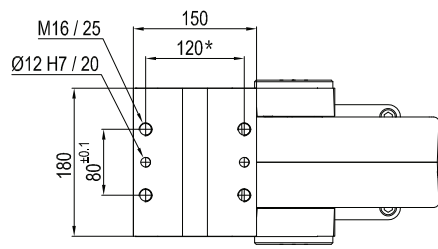


UNIVER SpA raccomanda di far convalidare all'ufficio tecnico UNIVER tutte le applicazioni di Unità Rotanti

UAGP215OA\_\_BS0



| Pivot rotation in degrees | A     |
|---------------------------|-------|
| 45°                       | 666.5 |
| 60°                       | 682.5 |
| 90°                       | 719   |
| 120°                      | 759.5 |



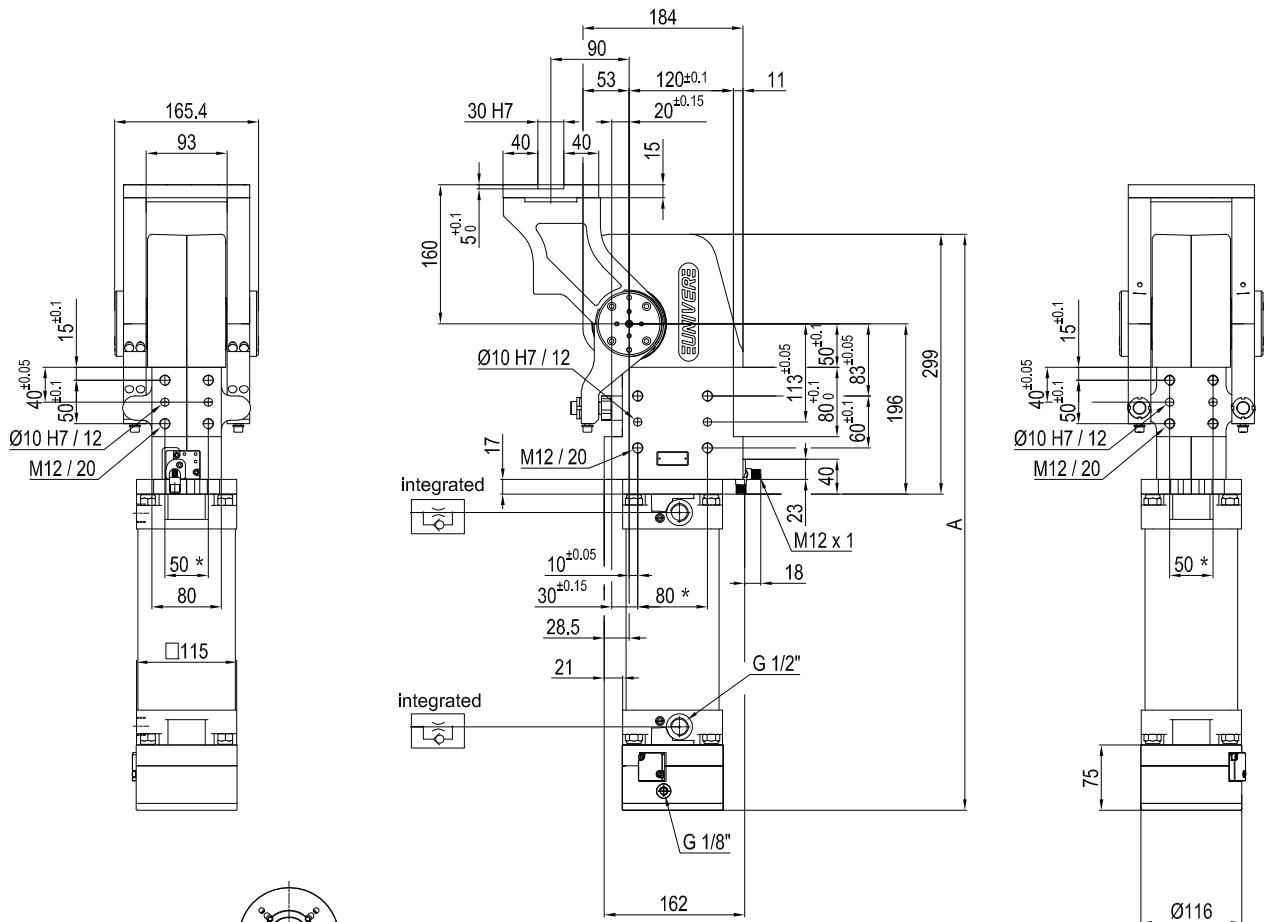
| Size | Holding moment | Max. torque at the rotary table 0,55 MPa | Weight |
|------|----------------|--|--------|
| 215  | 8000 Nm        | 210 Nm                                   | 48 Kg  |

Min./Max. operating pressure: **0,4 / 0,6 MPa**  
 Operating temperature: **5° ÷ 45° C**  
 Predetermine pivot rotation in degrees: **45°- 60°- 90°- 120°**  
 Rotary table position: **Horizontal 90°**  
 Electronic sensor with M12 swivel connector, from 0° or 90°, in steps of 10°  
 Supply voltage: 10 ÷ 30 Vdc  
 IP code: **IP 65**

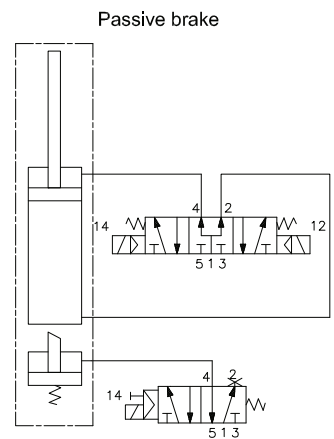
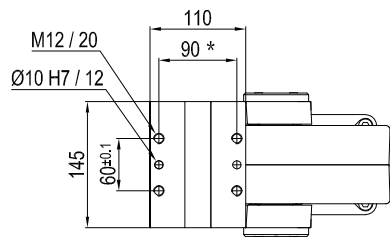
\*: TOLERANCE BETWEEN DOWEL HOLES ± 0,02, BETWEEN SCREW HOLES ± 0,1

Subject to technical modifications without notice

## UAGP215OK\_\_BS0



| Pivot rotation in degrees | A     |
|---------------------------|-------|
| 45°                       | 583.5 |
| 60°                       | 597   |
| 90°                       | 628   |
| 120°                      | 662.5 |



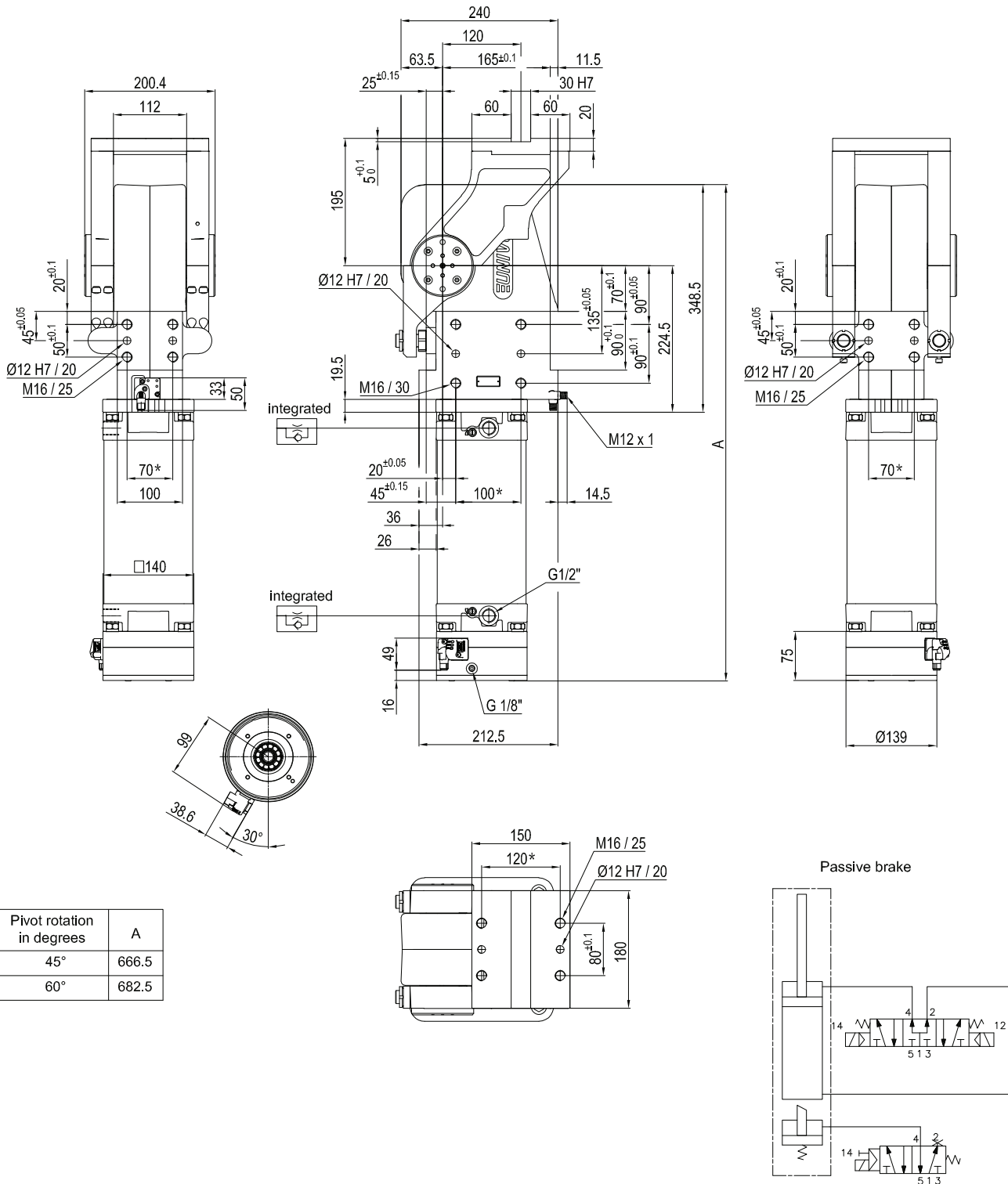
| Size | Holding moment | Max. torque at the rotary table 0,55 MPa | Weight |
|------|----------------|--|--------|
| 215  | 8000 Nm        | 210 Nm                                   | 48 Kg  |

Min./Max. operating pressure: **0,4 / 0,6 MPa**  
 Operating temperature: **5° ÷ 45° C**  
 Predetermine pivot rotation in degrees: **45°- 60°- 90°- 120°**  
 Rotary table position: **Horizontal 90°**  
 Electronic sensor with M12 swivel connector, from 0° or 90°, in steps of 10°  
 Supply voltage: 10 ÷ 30 Vdc  
 IP code: **IP 65**

\*: TOLERANCE BETWEEN DOWEL HOLES ± 0,02, BETWEEN SCREW HOLES ± 0,1

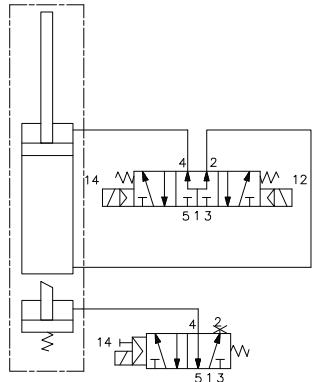
Subject to technical modifications without notice

## UAGP215PA\_ \_ \_BS0



| Pivot rotation in degrees | A     |
|---------------------------|-------|
| 45°                       | 666.5 |
| 60°                       | 682.5 |

Passive brake



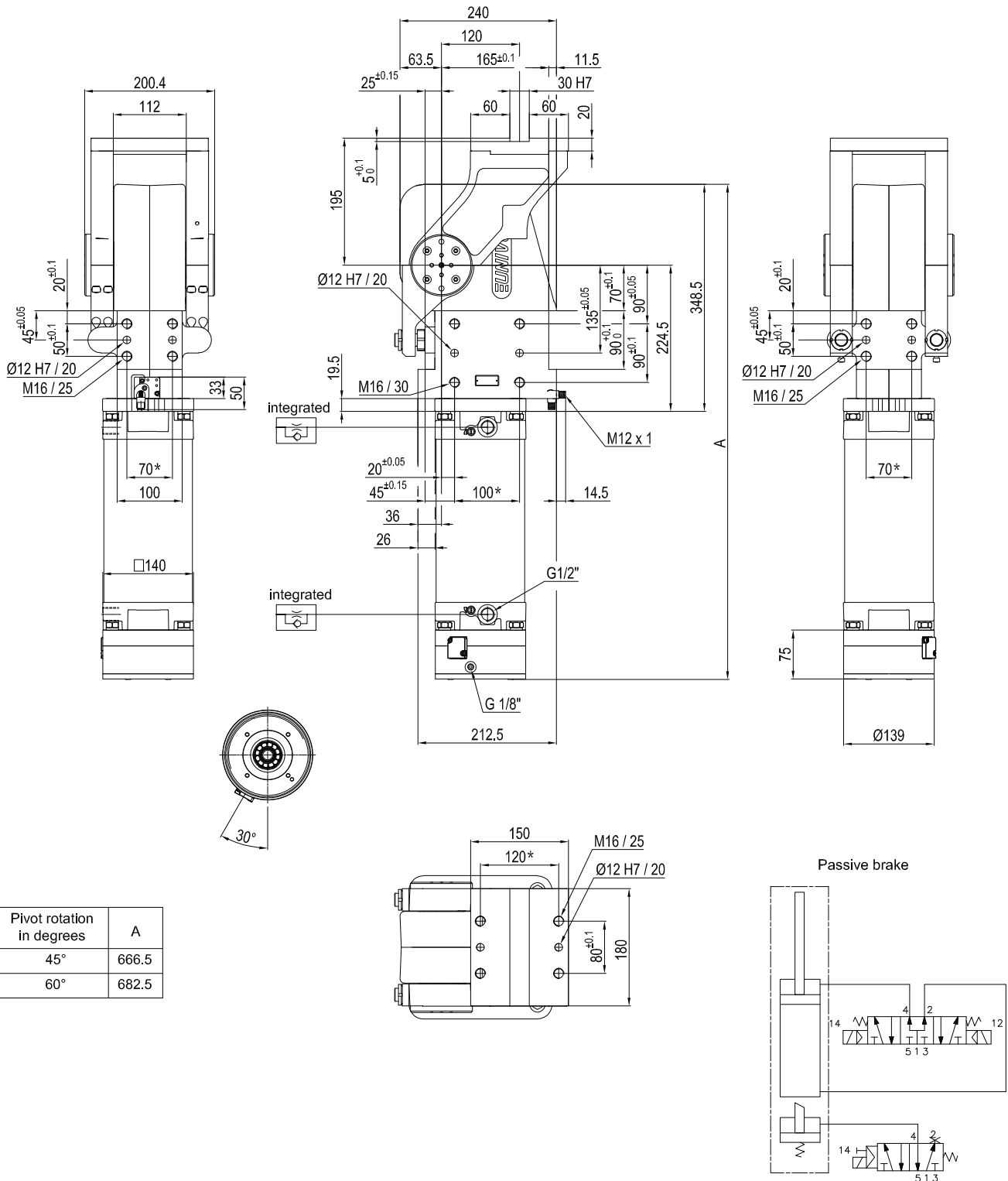
| Size | Holding moment | Max. torque at the rotary table 0,55 MPa | Weight |
|------|----------------|--|--------|
| 215  | 8000 Nm        | 210 Nm                                   | 48 Kg  |

Min./Max. operating pressure: **0,4 / 0,6 MPa**  
 Operating temperature: **5° ÷ 45° C**  
 Predetermine pivot rotation in degrees: **45°- 60°**  
 Rotary table position: **Horizontal mirror of O**  
 Electronic sensor with M12 swivel connector, from 0° or 90°, in steps of 10°  
 Supply voltage: 10 ÷ 30 Vdc  
 IP code: **IP 65**

\*: TOLERANCE BETWEEN DOWEL HOLES ± 0,02, BETWEEN SCREW HOLES ± 0,1

Subject to technical modifications without notice

## UAGP215PK\_\_BS0



| Pivot rotation in degrees | A     |
|---------------------------|-------|
| 45°                       | 666.5 |
| 60°                       | 682.5 |

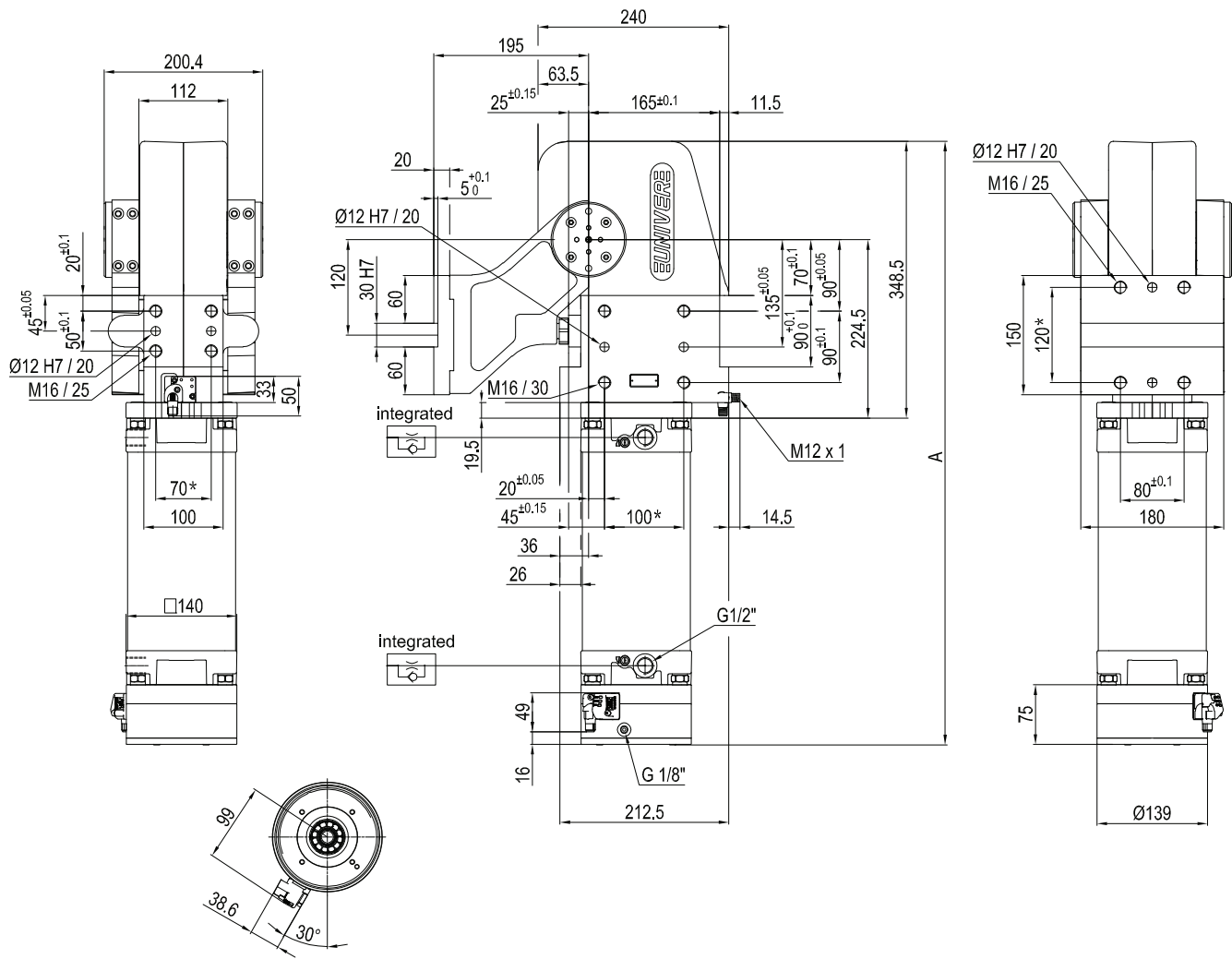
| Size | Holding moment | Max. torque at the rotary table 0,55 MPa | Weight |
|------|----------------|--|--------|
| 215  | 8000 Nm        | 210 Nm                                   | 48 Kg  |

\*: TOLERANCE BETWEEN DOWEL HOLES ± 0,02, BETWEEN SCREW HOLES ± 0,1

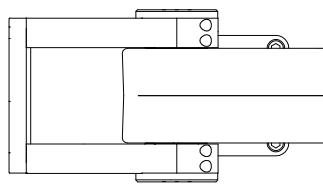
Min./Max. operating pressure: **0,4 / 0,6 MPa**  
 Operating temperature: **5° ÷ 45° C**  
 Predetermine pivot rotation in degrees: **45° - 60°**  
 Rotary table position: **Horizontal mirror of O**  
 Electronic sensor with M12 swivel connector, from 0° or 90°, in steps of 10°  
 Supply voltage: 10 ÷ 30 Vdc  
 IP code: **IP 65**

Subject to technical modifications without notice

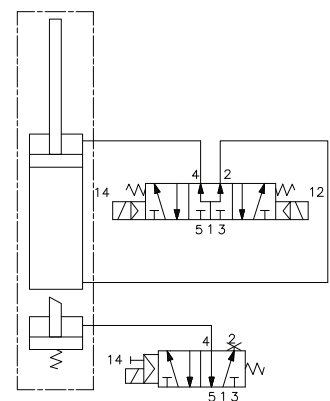
## UAGP215VA\_\_BS0



| Pivot rotation in degrees | A     |
|---------------------------|-------|
| 45°                       | 666.5 |
| 60°                       | 682.5 |
| 90°                       | 719   |
| 120°                      | 759.5 |



Passive brake



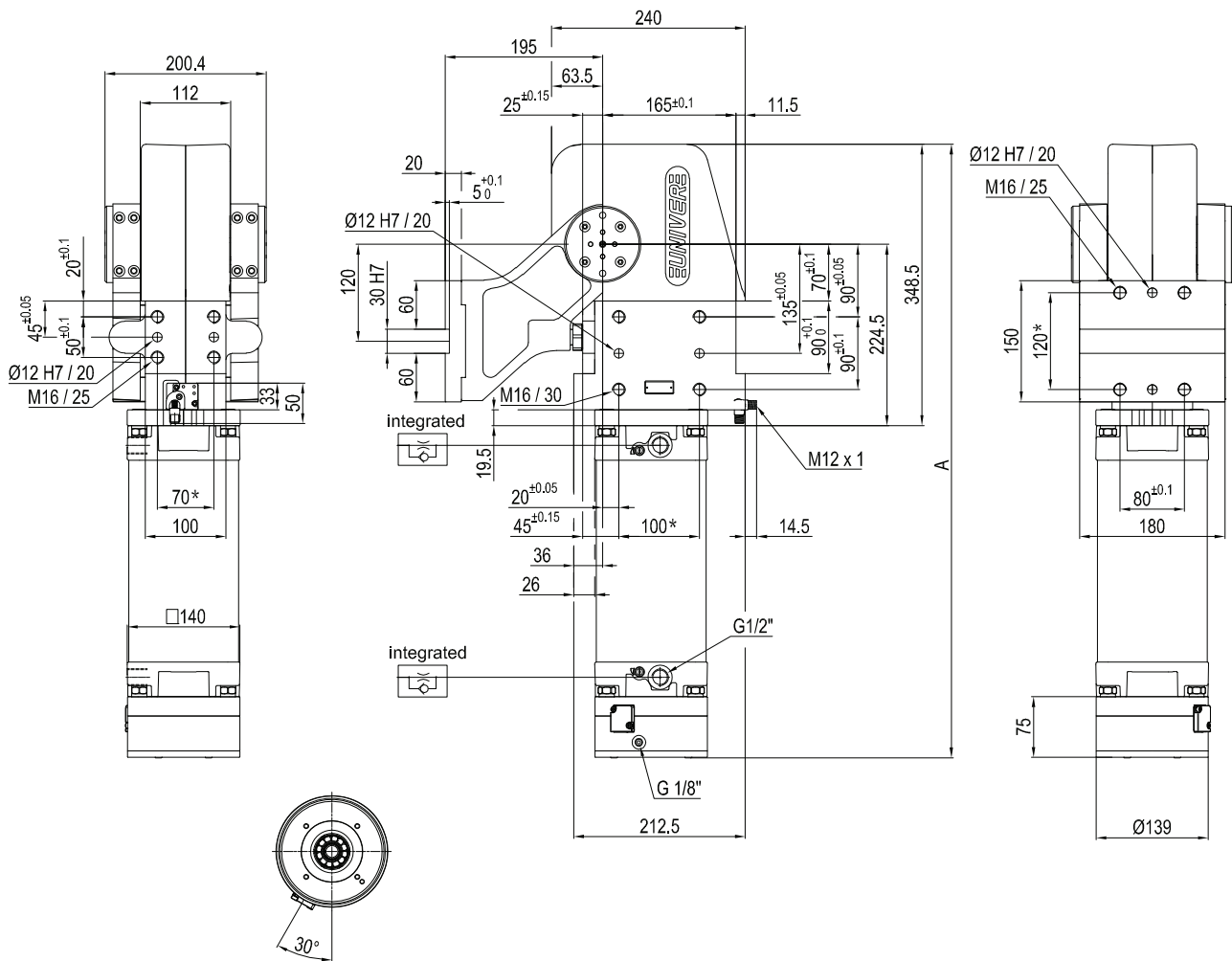
| Size | Holding moment | Max. torque at the rotary table 0,55 MPa | Weight |
|------|----------------|--|--------|
| 215  | 8000 Nm        | 210 Nm                                   | 48 Kg  |

Min./Max. operating pressure: **0,4 / 0,6 MPa**  
 Operating temperature: **5° ÷ 45° C**  
 Predetermine pivot rotation in degrees: **45°- 60°- 90°-120°**  
 Rotary table position: **Vertical 180°**  
 Electronic sensor with M12 swivel connector, from 0° or 90°, in steps of 10°  
 Supply voltage: 10 ÷ 30 Vdc  
 IP code: **IP 65**

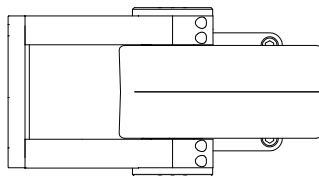
\*: TOLERANCE BETWEEN DOWEL HOLES ± 0,02, BETWEEN SCREW HOLES ± 0,1

Subject to technical modifications without notice

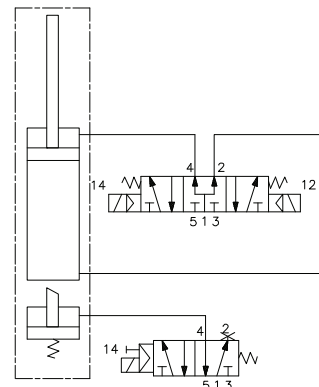
UAGP215VK\_\_BS0



| Pivot rotation in degrees | A     |
|---------------------------|-------|
| 45°                       | 666.5 |
| 60°                       | 682.5 |
| 90°                       | 719   |
| 120°                      | 759.5 |



Passive brake



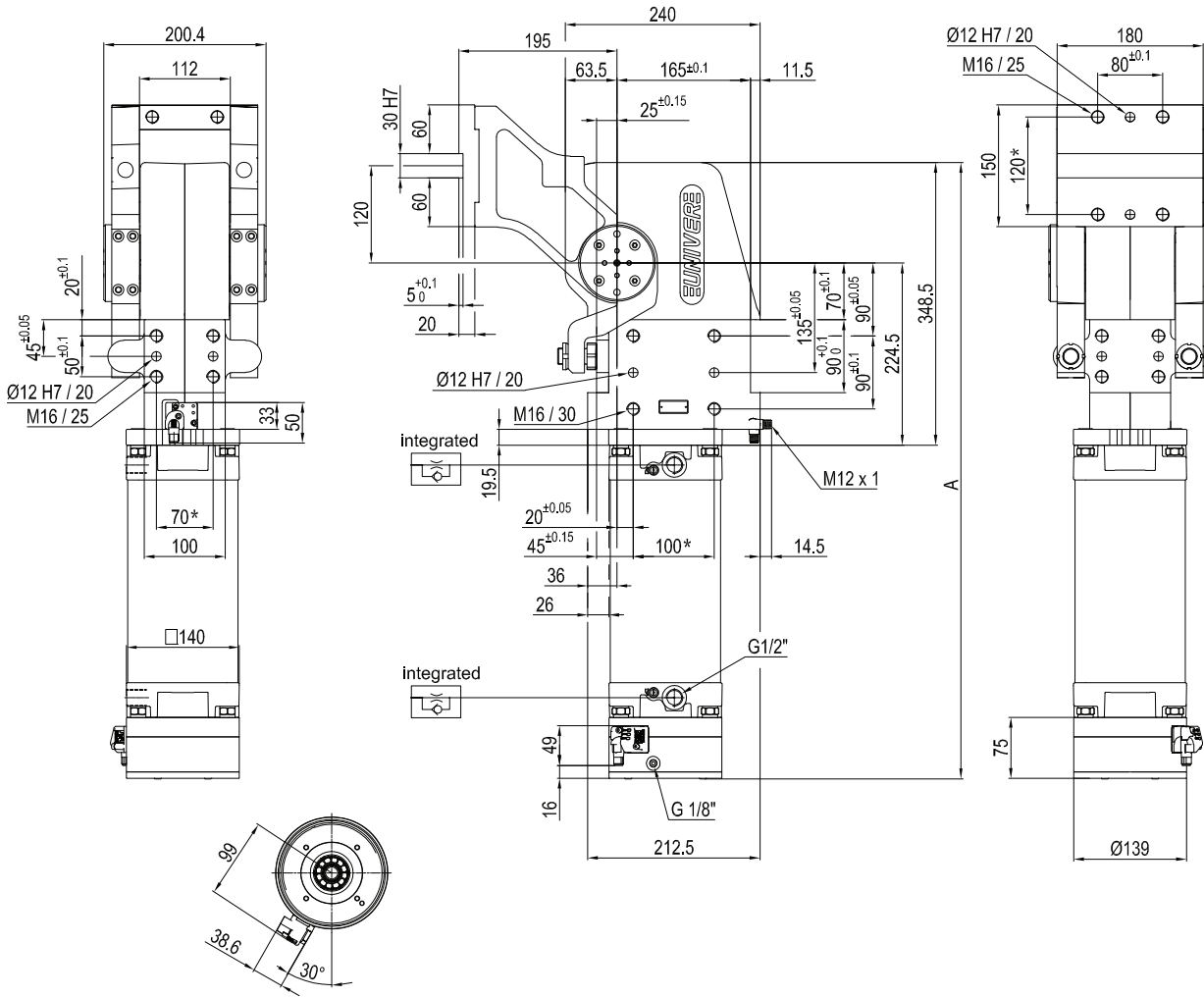
| Size | Holding moment | Max. torque at the rotary table 0,55 MPa | Weight |
|------|----------------|--|--------|
| 215  | 8000 Nm        | 210 Nm                                   | 48 Kg  |

Min./Max. operating pressure: **0,4 / 0,6 MPa**  
 Operating temperature: **5° ÷ 45° C**  
 Predetermine pivot rotation in degrees: **45°- 60°- 90°- 120°**  
 Rotary table position: **Vertical 180°**  
 Electronic sensor with M12 swivel connector, from 0° or 90°, in steps of 10°  
 Supply voltage: 10 ÷ 30 Vdc  
 IP code: **IP 65**

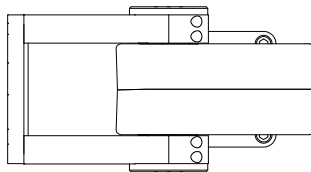
\*: TOLERANCE BETWEEN DOWEL HOLES ± 0,02, BETWEEN SCREW HOLES ± 0,1

Subject to technical modifications without notice

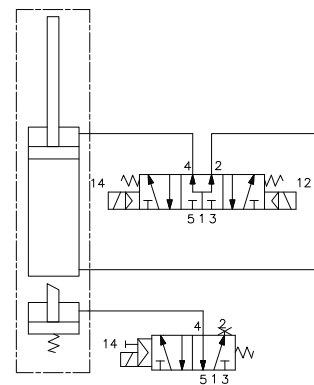
UAGP215ZA\_\_BS0



| Pivot rotation in degrees | A     |
|---------------------------|-------|
| 45°                       | 666.5 |
| 60°                       | 682.5 |
| 90°                       | 719   |
| 120°                      | 759.5 |



Passive brake



| Size | Holding moment | Max. torque at the rotary table 0,55 MPa | Weight |
|------|----------------|--|--------|
| 215  | 8000 Nm        | 210 Nm                                   | 48 Kg  |

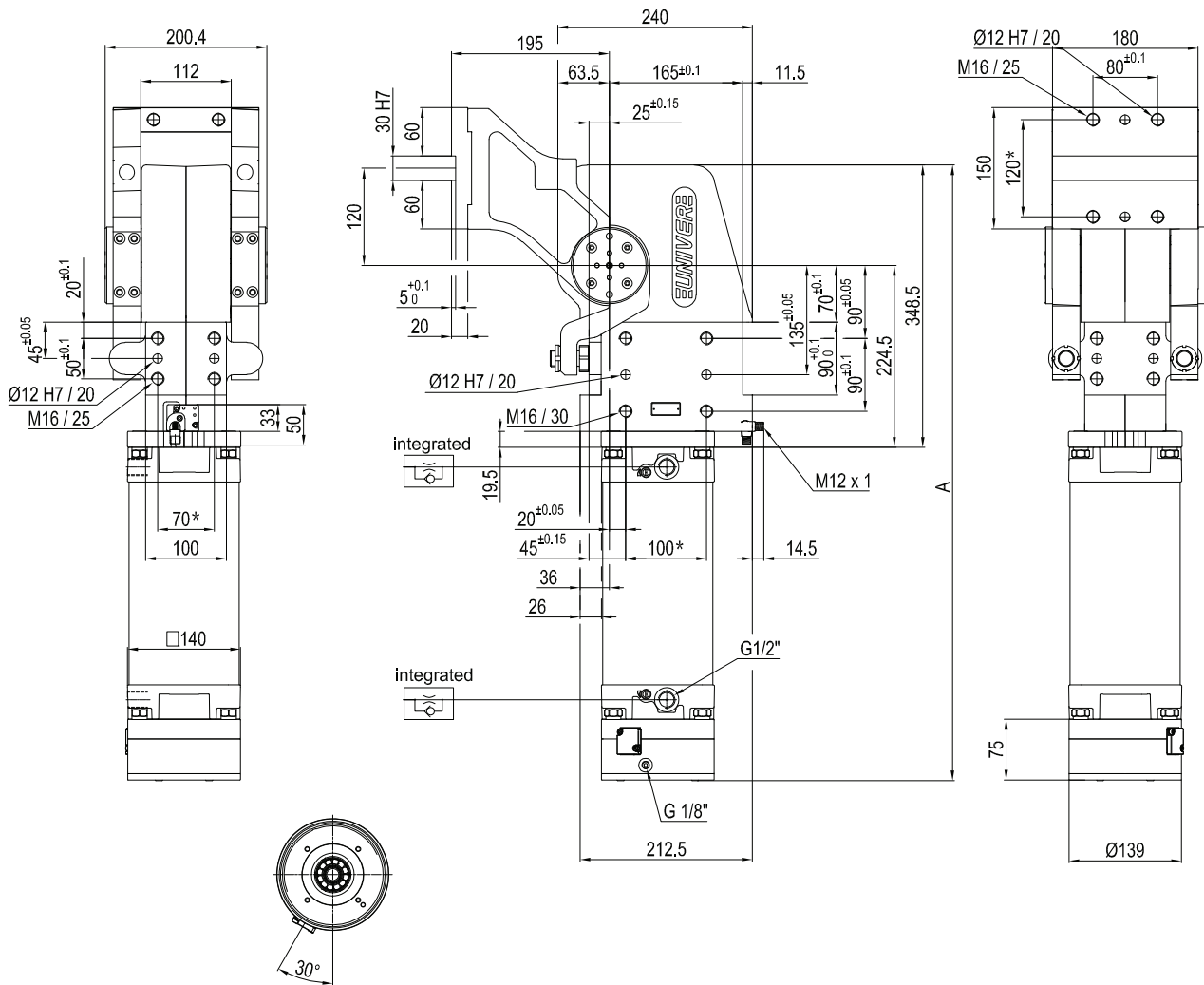
Min./Max. operating pressure: **0,4 / 0,6 MPa**  
 Operating temperature: **5° ÷ 45° C**  
 Predetermine pivot rotation in degrees: **45°- 60°- 90°-120°**  
 Rotary table position: **Vertical mirror of V**  
 Electronic sensor with M12 swivel connector, from 0° or 90°, in steps of 10°  
 Supply voltage: 10 ÷ 30 Vdc  
 IP code: **IP 65**

\*: TOLERANCE BETWEEN DOWEL HOLES ± 0,02, BETWEEN SCREW HOLES ± 0,1

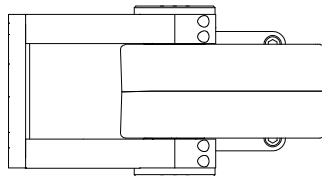
Subject to technical modifications without notice



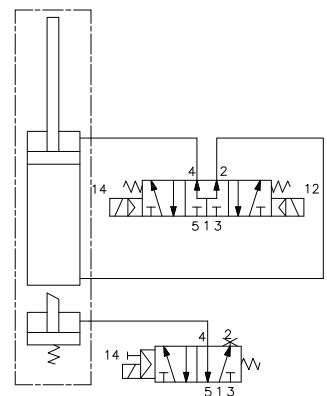
## UAGP215ZK\_\_BS0



| Pivot rotation in degrees | A     |
|---------------------------|-------|
| 45°                       | 666.5 |
| 60°                       | 682.5 |
| 90°                       | 719   |
| 120°                      | 759.5 |



Passive brake



| Size | Holding moment | Max. torque at the rotary table 0,55 MPa | Weight |
|------|----------------|--|--------|
| 215  | 8000 Nm        | 210 Nm                                   | 48 Kg  |

Min./Max. operating pressure: **0,4 / 0,6 MPa**  
 Operating temperature: **5° ÷ 45° C**  
 Predetermine pivot rotation in degrees: **45°- 60°- 90°- 120°**  
 Rotary table position: **Vertical mirror of V**  
 Electronic sensor with M12 swivel connector, from 0° or 90°, in steps of 10°  
 Supply voltage: 10 ÷ 30 Vdc  
 IP code: **IP 65**

\*: TOLERANCE BETWEEN DOWEL HOLES ± 0,02, BETWEEN SCREW HOLES ± 0,1

Subject to technical modifications without notice