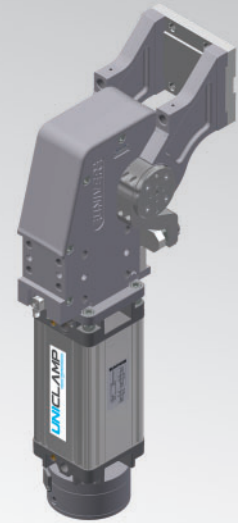


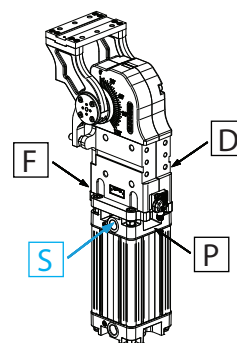
# UAGP

Unità rotante pneumatica UNICLAMP



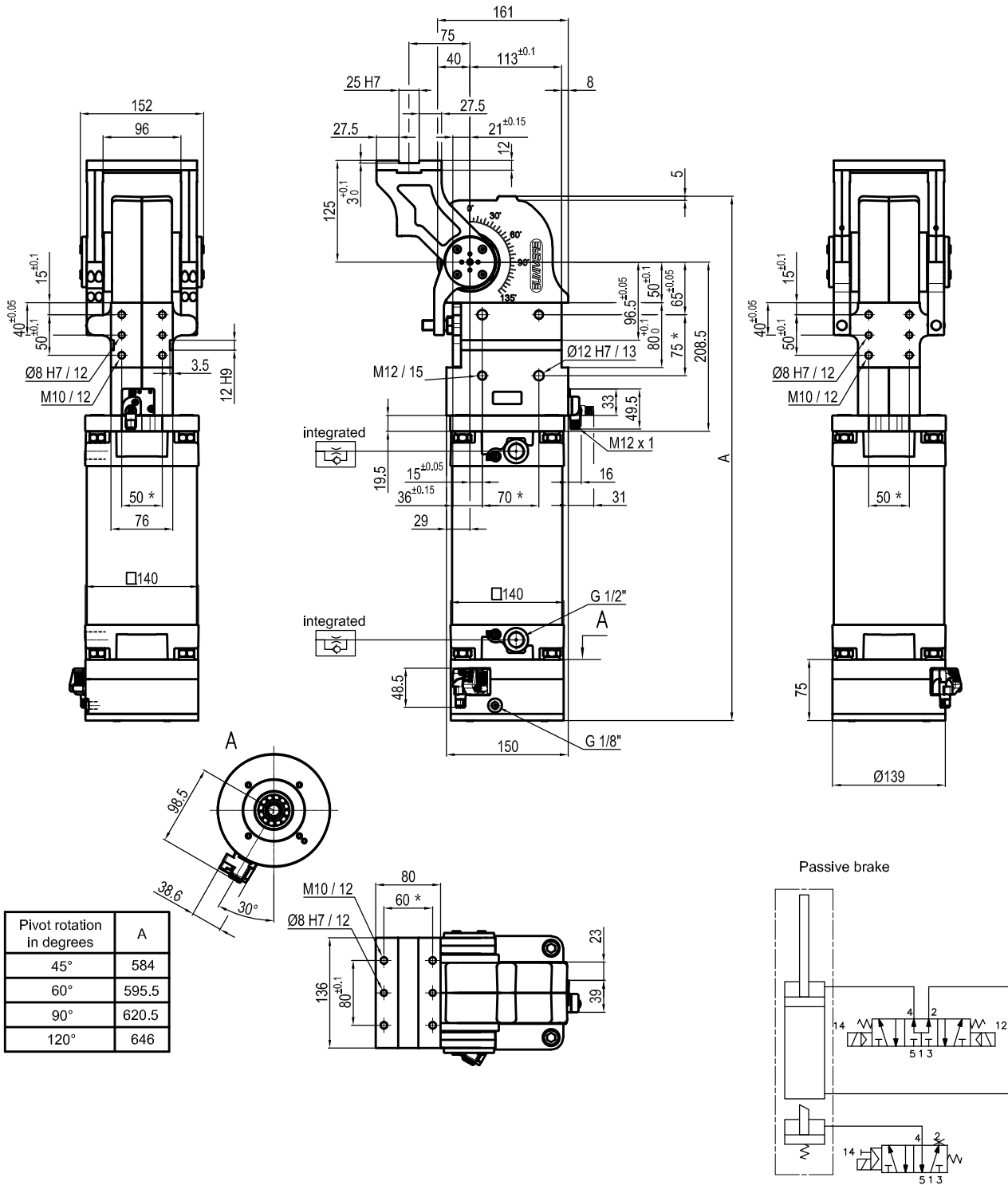
U	A	G	P	0	8	0	O	A	0	9	0	B	S	0
1	2	3	4	5	6	7	8	9						

1 Serie	2 Versione	3 Taglia
<b>UAG</b> = Unità rotante con angoli di rotazione determinati UNICLAMP	<b>P</b> = Pneumatica	<b>075</b> = 75Nm Ø80 mm <b>215</b> = 210Nm Ø125 mm <b>080</b> = 60Nm Ø80 mm <b>300</b> = 300Nm Ø160 mm <b>120</b> = 110Nm Ø100 mm <b>350</b> = 350Nm Ø160 mm <b>150</b> = 120Nm Ø100 mm <b>355</b> = 350Nm Ø160 mm <b>155</b> = 120Nm Ø100 mm <b>600</b> = 600Nm Ø200 mm <b>170</b> = 170Nm Ø125 mm <b>605</b> = 600Nm Ø200 mm <b>210</b> = 210Nm Ø125 mm
4 Posizione tavola	5 Sensore	6 Angoli di rotazione
<b>V</b> = Verticale 180° <b>O</b> = Orizzontale 90° <b>Z</b> = Verticale, speculare alla posizione V <b>P</b> = Orizzontale, speculare alla posizione O (massima apertura angolare 60°)	<b>K</b> = Sensore elettronico PNP (ottico) (DF-K) <b>A</b> = Sensore elettronico PNP (ottico) per angolo di apertura (DF-K) + sensore freno DF-U)	<b>120</b> = 120° <b>090</b> = 90° <b>060</b> = 60° <b>045</b> = 45°
7 Blocco di stazionamento	8 Connessioni	9 Revisione prodotto
<b>B</b> = Con blocco di stazionamento <b>W</b> = Senza blocco di stazionamento <b>M</b> = Funzione di sblocco manuale su freno di stazionamento	<b>S</b> = Lato sinistro <b>D</b> = Lato destro <b>F</b> = Lato frontale <b>P</b> = Lato posteriore	Assegnato da UNIVER



UNIVER SpA raccomanda di far convalidare all'ufficio tecnico UNIVER tutte le applicazioni di Unità Rotanti

## UAGP170OA\_\_BS0



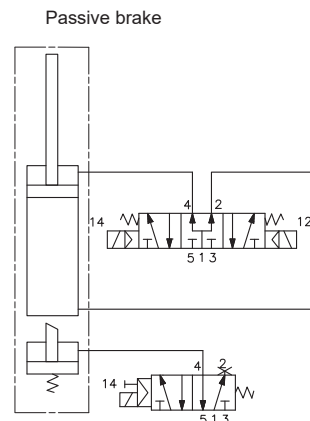
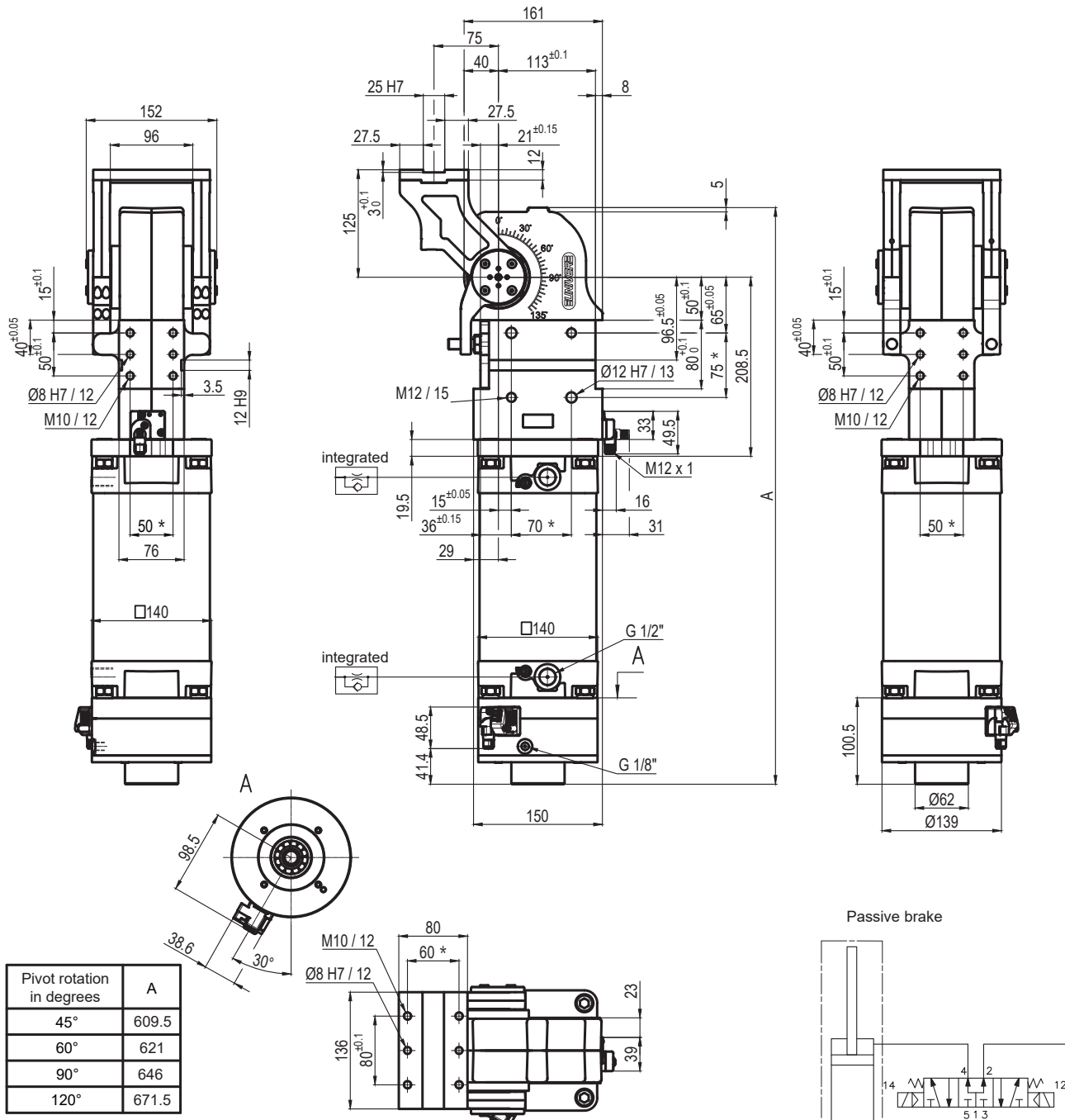
Size	Holding moment	Max. torque at the rotary table 0,55 MPa	Weight
170	4000 Nm	170 Nm	22,6 Kg

\*: TOLERANCE BETWEEN DOWEL HOLES ± 0,02, BETWEEN SCREW HOLES ± 0,1

Min./Max. operating pressure: **0,4 / 0,6 MPa**  
 Operating temperature: **5° ÷ 45° C**  
 Predetermine pivot rotation in degrees: **45°- 60°- 90°- 120°**  
 Rotary table position: **Horizontal 90°**  
 Electronic sensor with M12 swivel connector, from 0° or 90°, in steps of 10°  
 Supply voltage: 10 ÷ 30 Vdc  
 IP code: **IP 65**

Subject to technical modifications without notice

UAGP170OA\_\_MS0



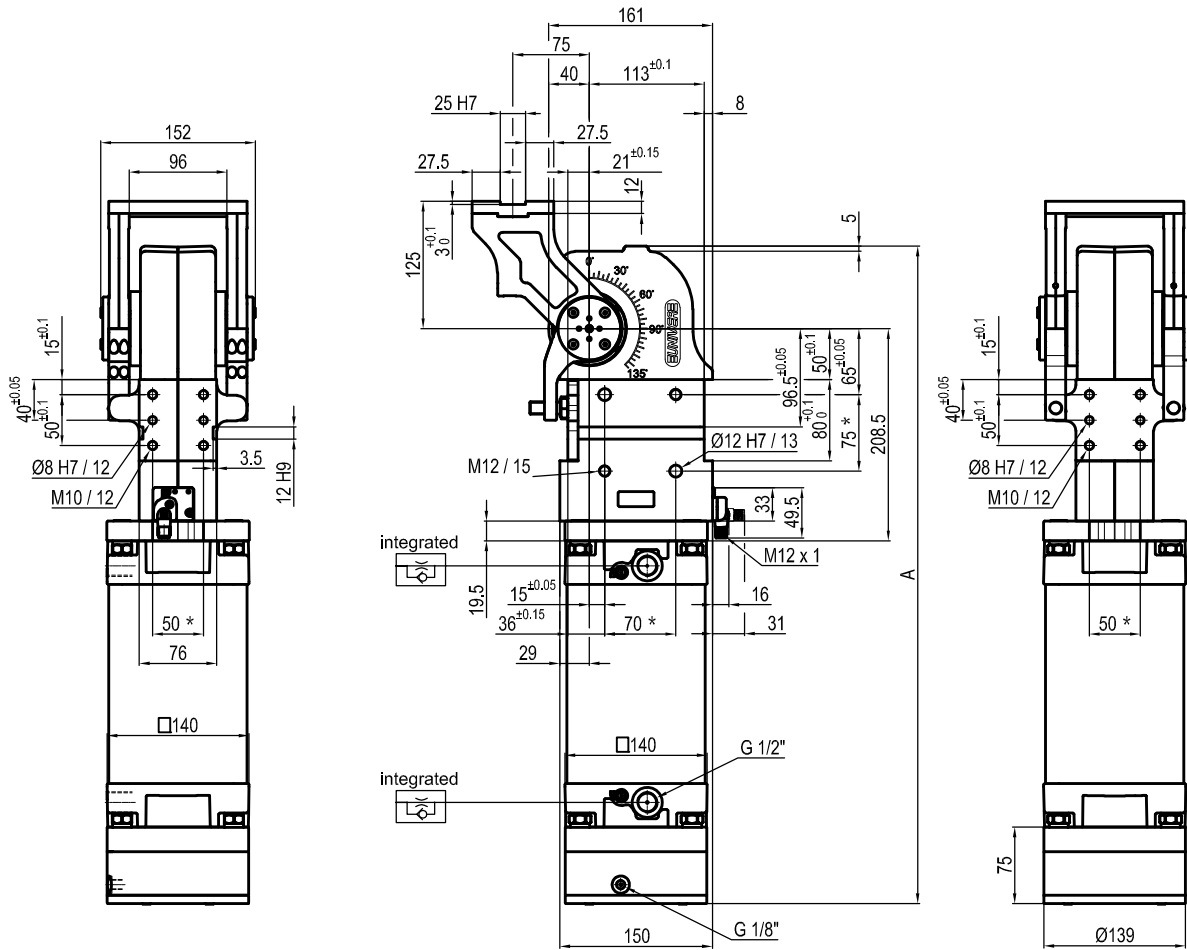
Size	Holding moment	Max. torque at the rotary table 0,55 MPa	Weight
170	4000 Nm	170 Nm	22,8 Kg

Min./Max. operating pressure: **0,4 / 0,6 MPa**  
 Operating temperature: **5° ÷ 45° C**  
 Predetermine pivot rotation in degrees: **45°- 60°- 90°- 120°**  
 Rotary table position: **Horizontal 90°**  
 Electronic sensor with M12 swivel connector, from 0° or 90°, in steps of 10°  
 Supply voltage: 10 ÷ 30 Vdc  
 IP code: **IP 65**

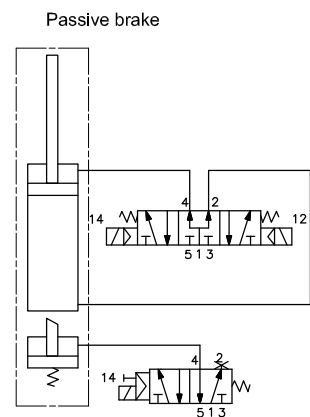
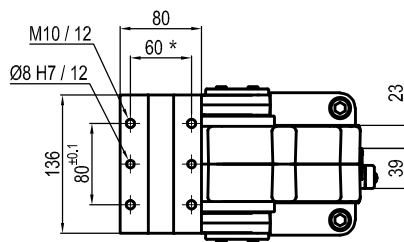
\*: TOLERANCE BETWEEN DOWEL HOLES ± 0,02, BETWEEN SCREW HOLES ± 0,1

Subject to technical modifications without notice

UAGP1700K\_\_BS0



Pivot rotation in degrees	A
45°	584
60°	595.5
90°	620.5
120°	646



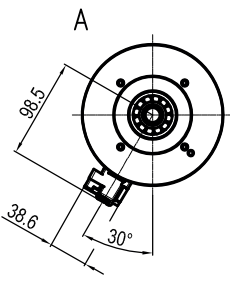
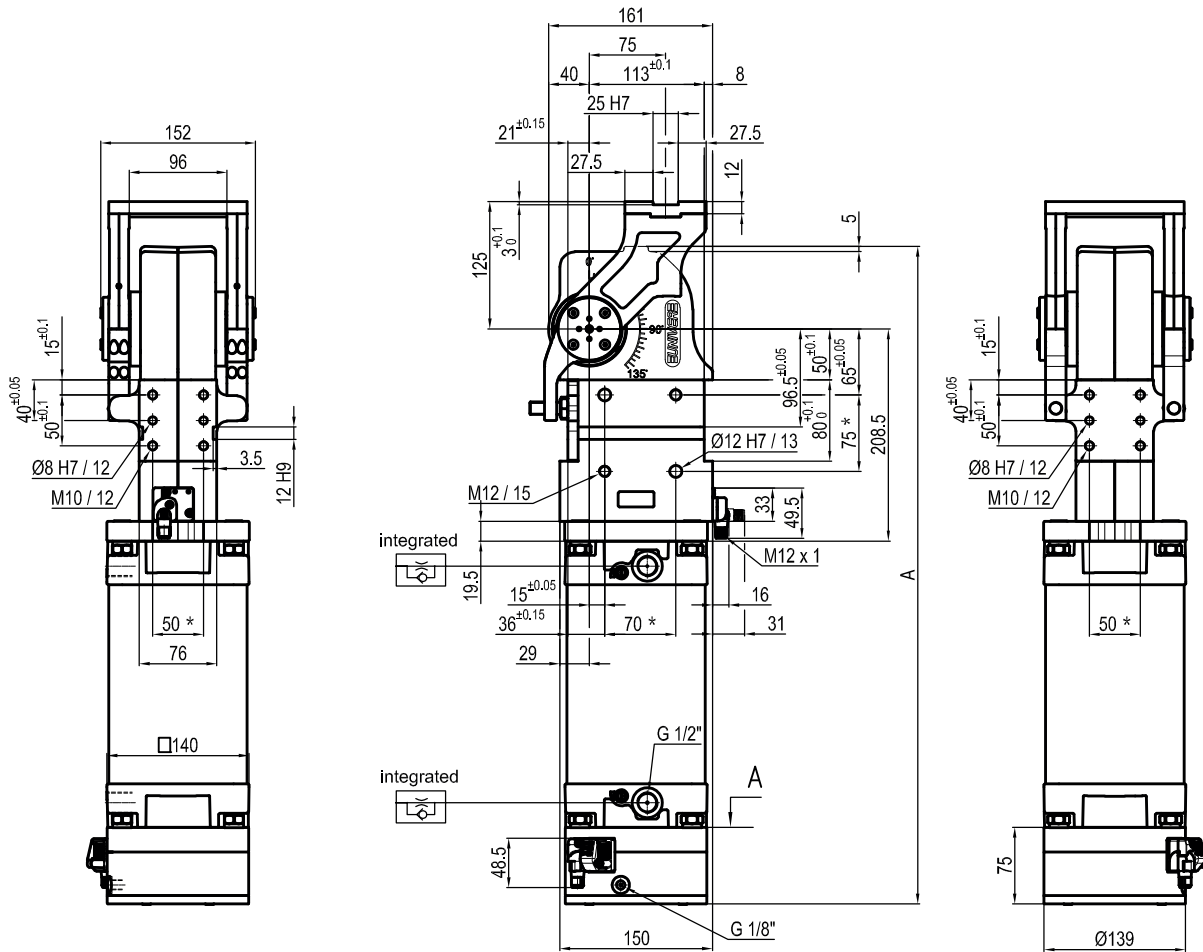
Size	Holding moment	Max. torque at the rotary table 0,55 MPa	Weight
170	4000 Nm	170 Nm	22,6 Kg

Min./Max. operating pressure: **0,4 / 0,6 MPa**  
 Operating temperature: **5° ÷ 45° C**  
 Predetermine pivot rotation in degrees: **45°- 60°- 90°- 120°**  
 Rotary table position: **Horizontal 90°**  
 Electronic sensor with M12 swivel connector, from 0° or 90°, in steps of 10°  
 Supply voltage: 10 ÷ 30 Vdc  
 IP code: **IP 65**

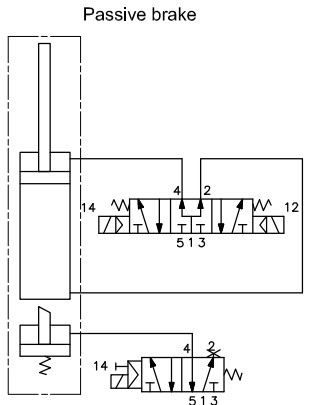
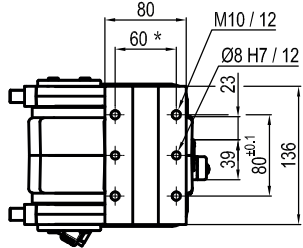
\*: TOLERANCE BETWEEN DOWEL HOLES ± 0,02, BETWEEN SCREW HOLES ± 0,1

Subject to technical modifications without notice

UAGP170PA\_ \_ \_BS0



Pivot rotation in degrees	A
45°	584
60°	595.5



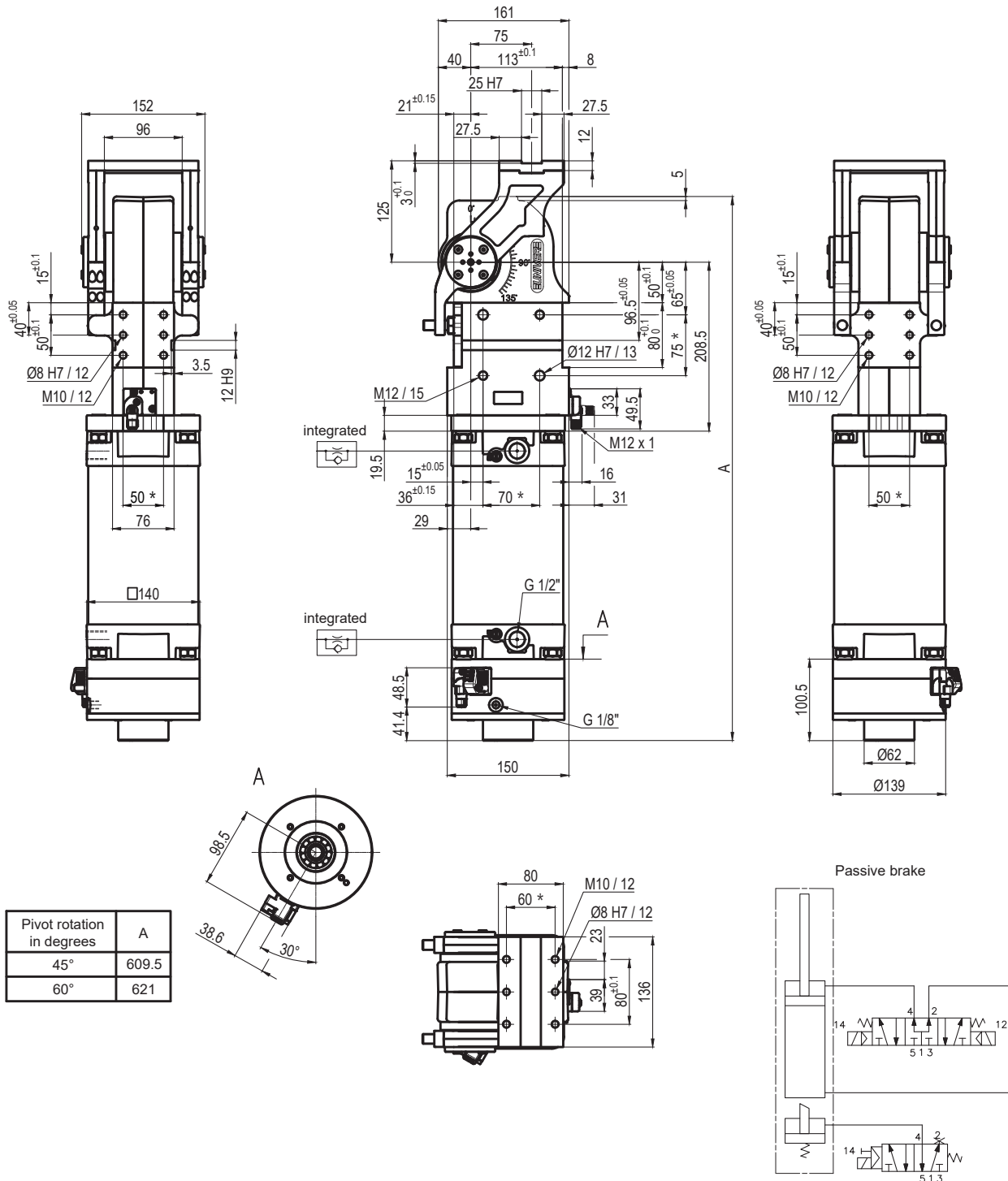
Size	Holding moment	Max. torque at the rotary table 0,55 MPa	Weight
170	4000 Nm	170 Nm	22,6 Kg

Min./Max. operating pressure: **0,4 / 0,6 MPa**  
 Operating temperature: **5° ÷ 45° C**  
 Predetermine pivot rotation in degrees: **45°- 60°**  
 Rotary table position: **Horizontal mirror of O**  
 Electronic sensor with M12 swivel connector, from 0° or 90°, in steps of 10°  
 Supply voltage: 10 ÷ 30 Vdc  
 IP code: **IP 65**

\*: TOLERANCE BETWEEN DOWEL HOLES ± 0,02, BETWEEN SCREW HOLES ± 0,1

Subject to technical modifications without notice

## UAGP170PA\_\_MS0



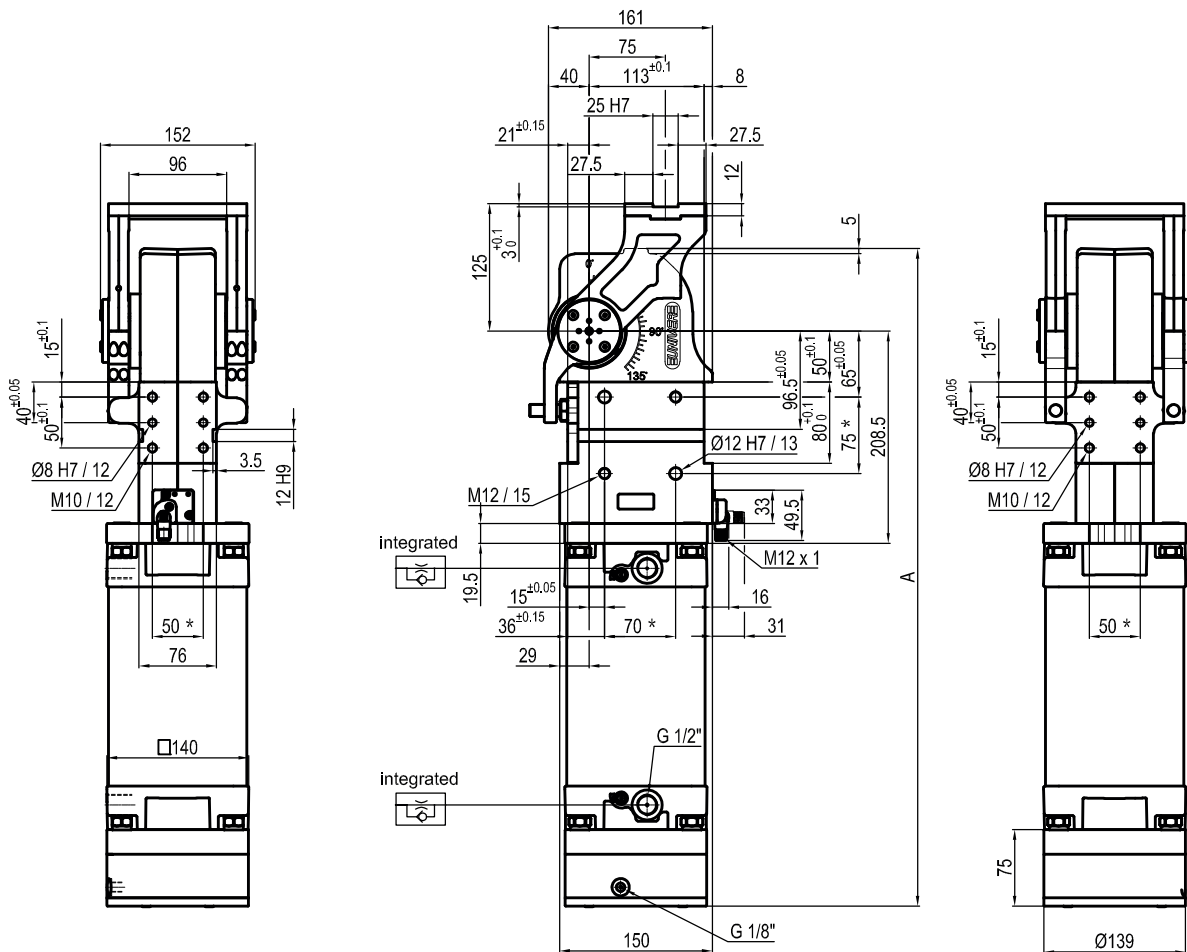
Size	Holding moment	Max. torque at the rotary table 0,55 MPa	Weight
170	4000 Nm	170 Nm	22,8 Kg

Min./Max. operating pressure: **0,4 / 0,6 MPa**  
 Operating temperature: **5° ÷ 45° C**  
 Predetermine pivot rotation in degrees: **45°- 60°**  
 Rotary table position: **Horizontal mirror of O**  
 Electronic sensor with M12 swivel connector, from 0° or 90°, in steps of 10°  
 Supply voltage: 10 ÷ 30 Vdc  
 IP code: **IP 65**

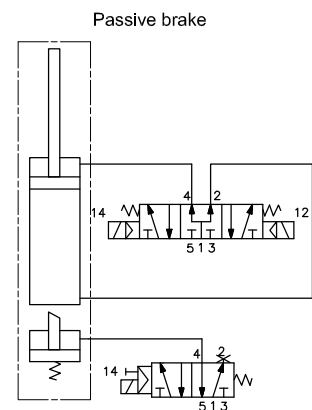
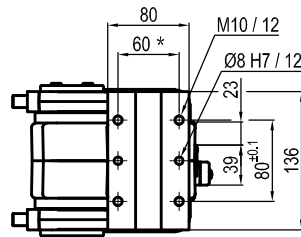
\*: TOLERANCE BETWEEN DOWEL HOLES ± 0,02, BETWEEN SCREW HOLES ± 0,1

Subject to technical modifications without notice

## UAGP170PK\_\_BS0



Pivot rotation in degrees	A
45°	584
60°	595.5



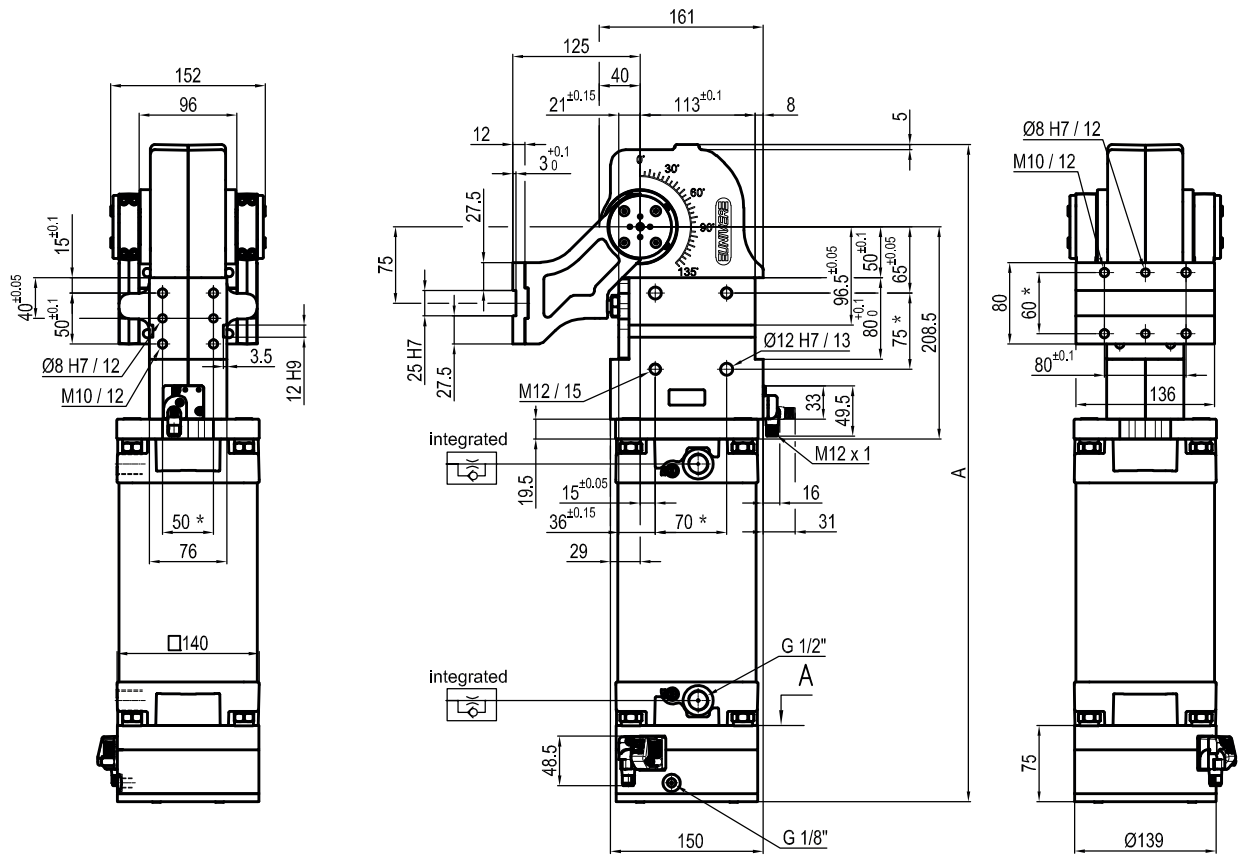
Size	Holding moment	Max. torque at the rotary table 0,55 MPa	Weight
170	4000 Nm	170 Nm	22,6 Kg

Min./Max. operating pressure: **0,4 / 0,6 MPa**  
 Operating temperature: **5° ÷ 45° C**  
 Predetermine pivot rotation in degrees: **45°- 60°**  
 Rotary table position: **Horizontal mirror of O**  
 Electronic sensor with M12 swivel connector, from 0° or 90°, in steps of 10°  
 Supply voltage: 10 ÷ 30 Vdc  
 IP code: **IP 65**

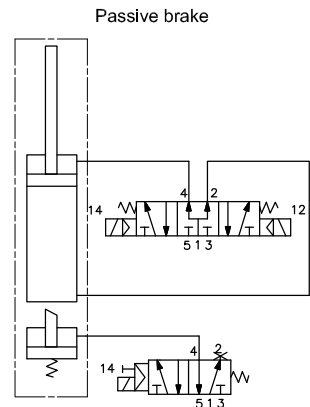
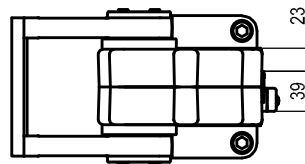
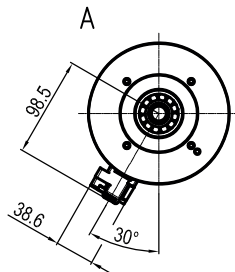
\*: TOLERANCE BETWEEN DOWEL HOLES  $\pm 0,02$ , BETWEEN SCREW HOLES  $\pm 0,1$

Subject to technical modifications without notice

UAGP170VA\_\_BS0



Pivot rotation in degrees	A
45°	584
60°	595.5
90°	620.5
120°	646



Size	Holding moment	Max. torque at the rotary table 0,55 MPa	Weight
1710	4000 Nm	170 Nm	22,6 Kg

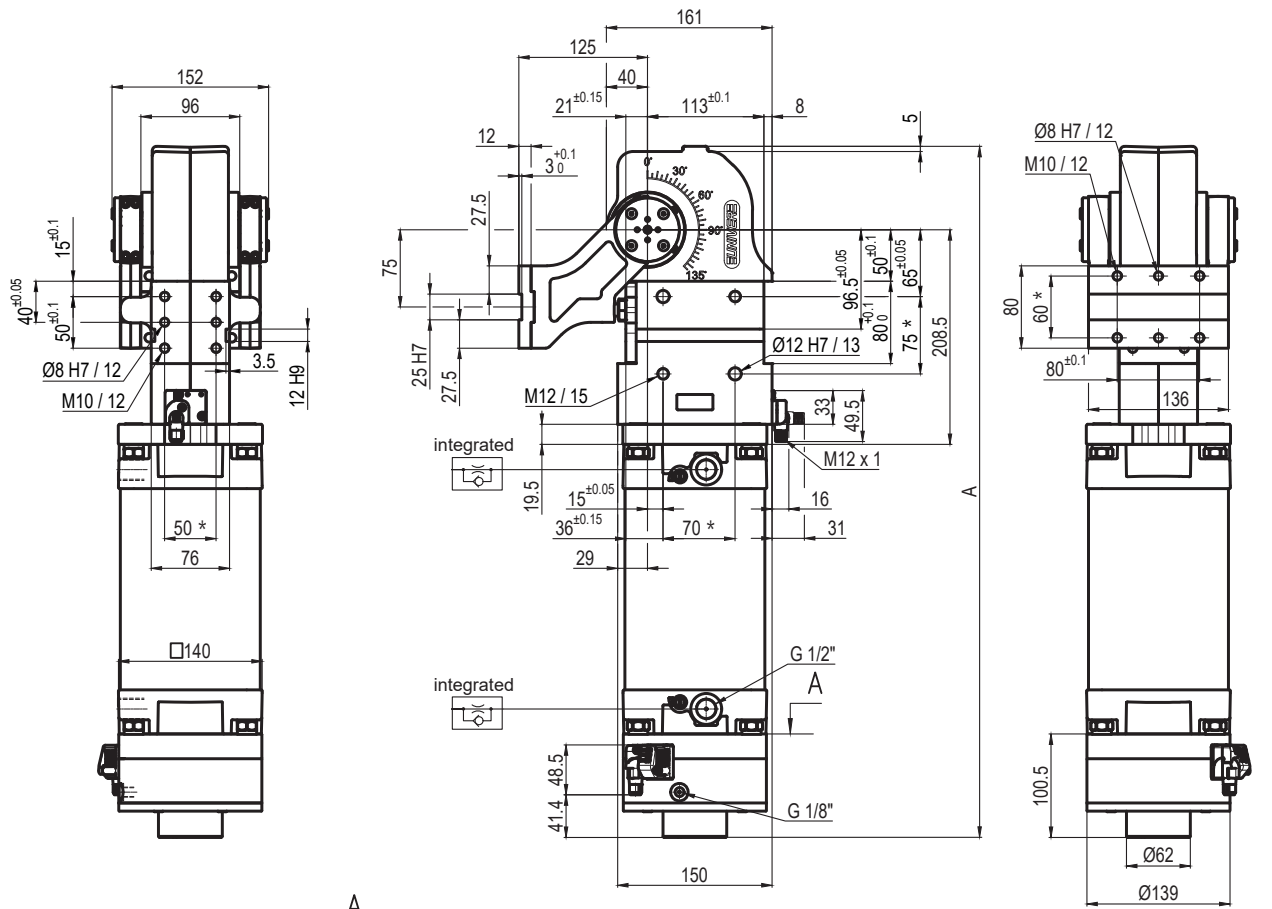
Min./Max. operating pressure: **0,4 / 0,6 MPa**  
 Operating temperature: **5° ÷ 45° C**  
 Predetermine pivot rotation in degrees: **45°- 60°- 90°- 120°**  
 Rotary table position: **Vertical 180°**  
 Electronic sensor with M12 swivel connector, from 0° or 90°, in steps of 10°  
 Supply voltage: 10 ÷ 30 Vdc  
 IP code: **IP 65**

\*: TOLERANCE BETWEEN DOWEL HOLES ± 0,02, BETWEEN SCREW HOLES ± 0,1

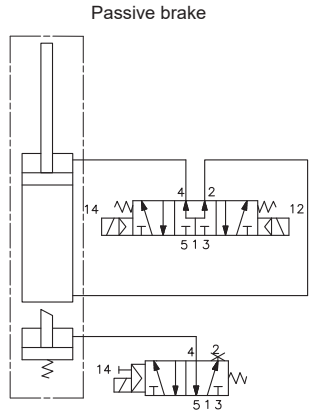
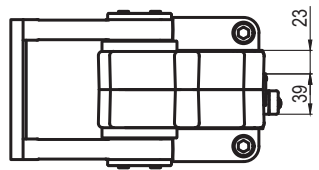
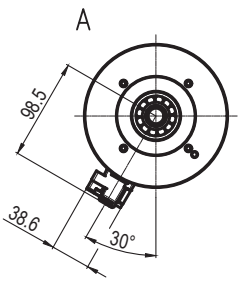
Subject to technical modifications without notice



## UAGP170VA\_ \_MS0



Pivot rotation in degrees	A
45°	609.5
60°	621
90°	646
120°	671.5



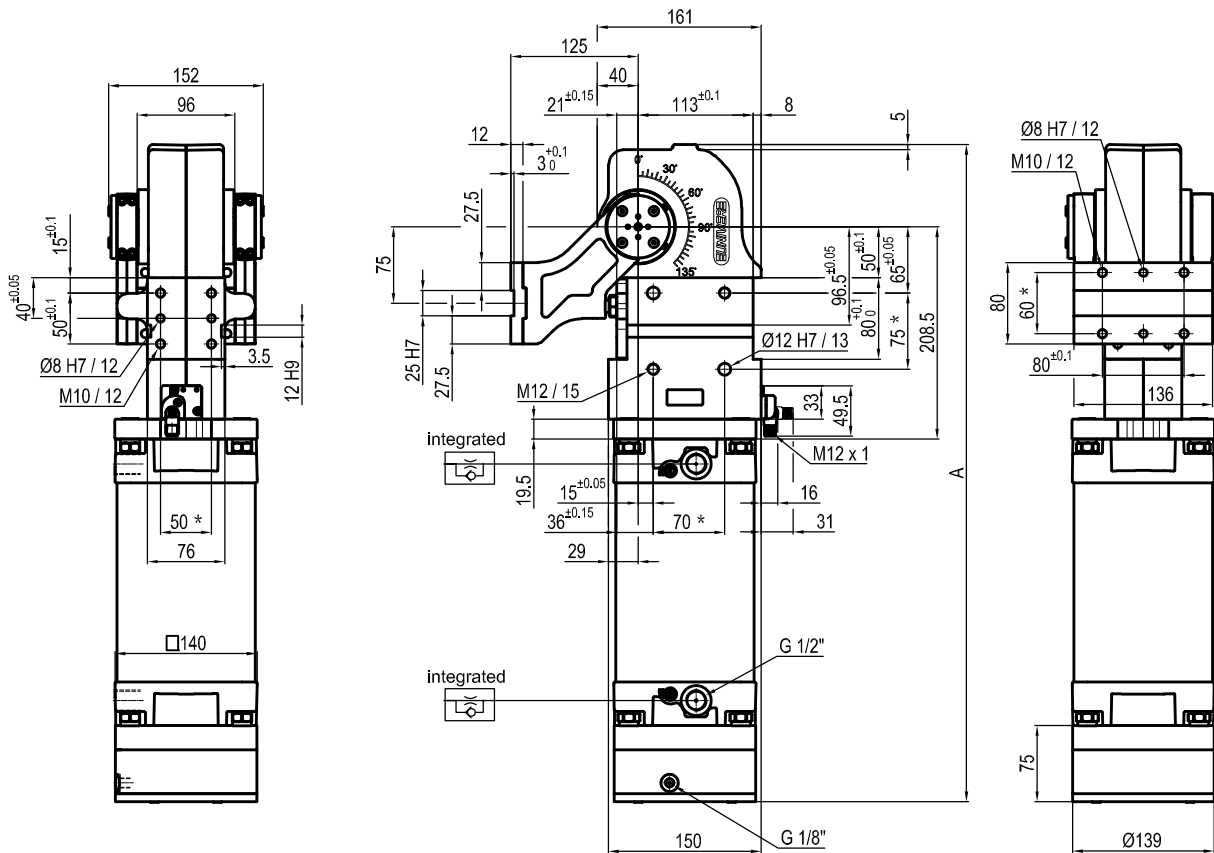
Size	Holding moment	Max. torque at the rotary table 0,55 MPa	Weight
1710	4000 Nm	170 Nm	22,8 Kg

Min./Max. operating pressure: **0,4 / 0,6 MPa**  
 Operating temperature: **5° ÷ 45° C**  
 Predetermine pivot rotation in degrees: **45°- 60°- 90°- 120°**  
 Rotary table position: **Vertical 180°**  
 Electronic sensor with M12 swivel connector, from 0° or 90°, in steps of 10°  
 Supply voltage: 10 ÷ 30 Vdc  
 IP code: **IP 65**

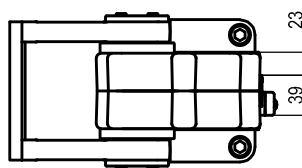
\*: TOLERANCE BETWEEN DOWEL HOLES ± 0,02, BETWEEN SCREW HOLES ± 0,1

Subject to technical modifications without notice

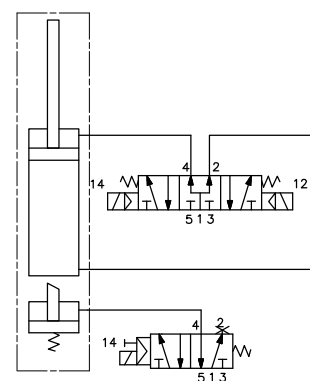
UAGP170VK\_\_BS0



Pivot rotation in degrees	A
45°	584
60°	595.5
90°	620.5
120°	646



Passive brake



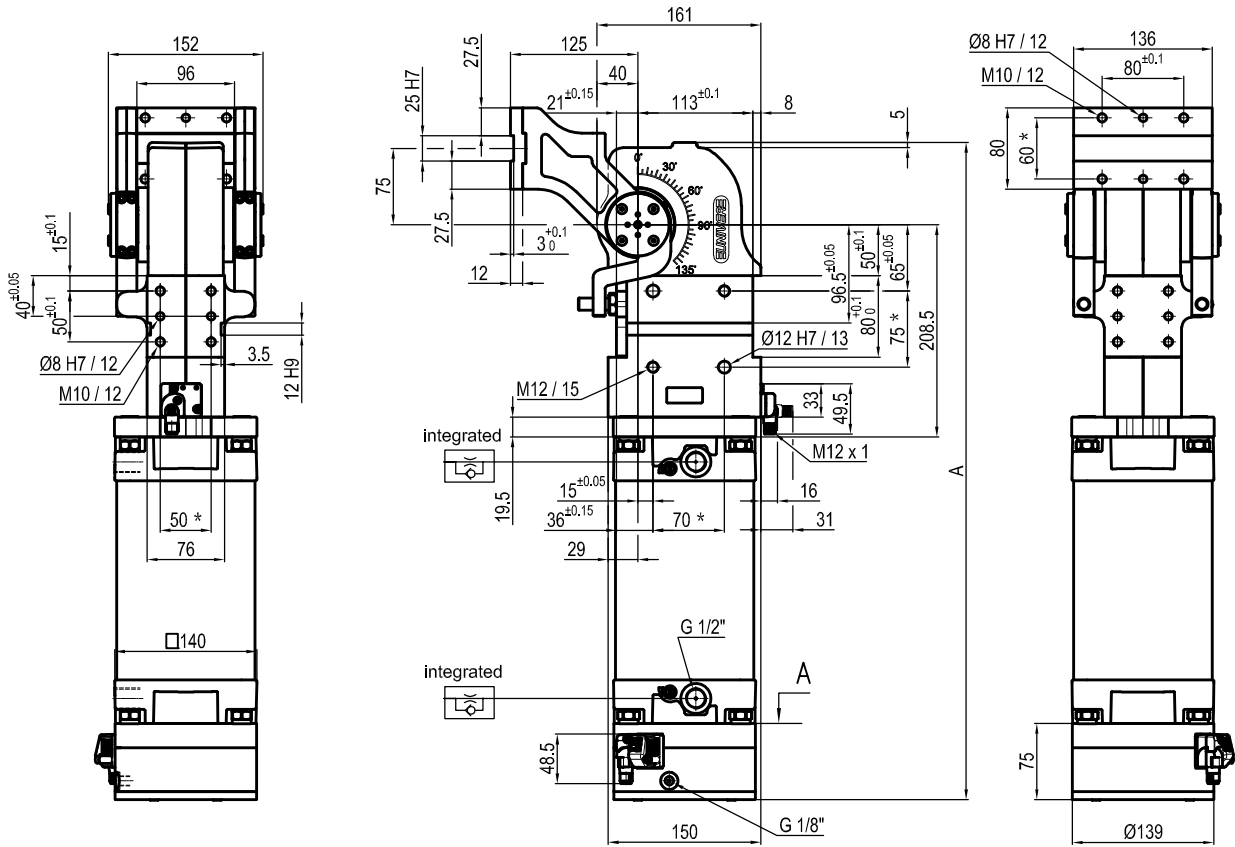
Size	Holding moment	Max. torque at the rotary table 0,55 MPa	Weight
1710	4000 Nm	170 Nm	22,6 Kg

Min./Max. operating pressure: **0,4 / 0,6 MPa**  
 Operating temperature: **5° ÷ 45° C**  
 Predetermine pivot rotation in degrees: **45°- 60°- 90°- 120°**  
 Rotary table position: **Vertical 180°**  
 Electronic sensor with M12 swivel connector, from 0° or 90°, in steps of 10°  
 Supply voltage: 10 ÷ 30 Vdc  
 IP code: **IP 65**

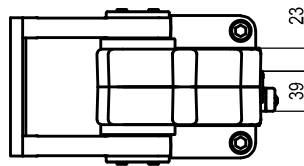
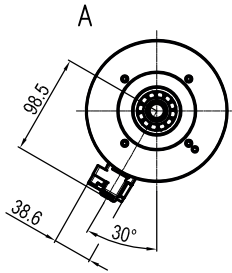
\*: TOLERANCE BETWEEN DOWEL HOLES  $\pm 0,02$ , BETWEEN SCREW HOLES  $\pm 0,1$

Subject to technical modifications without notice

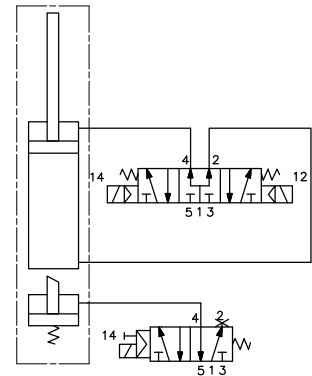
## UAGP170ZA\_\_BS0



Pivot rotation in degrees	A
45°	584
60°	595.5
90°	620.5
120°	646



Passive brake



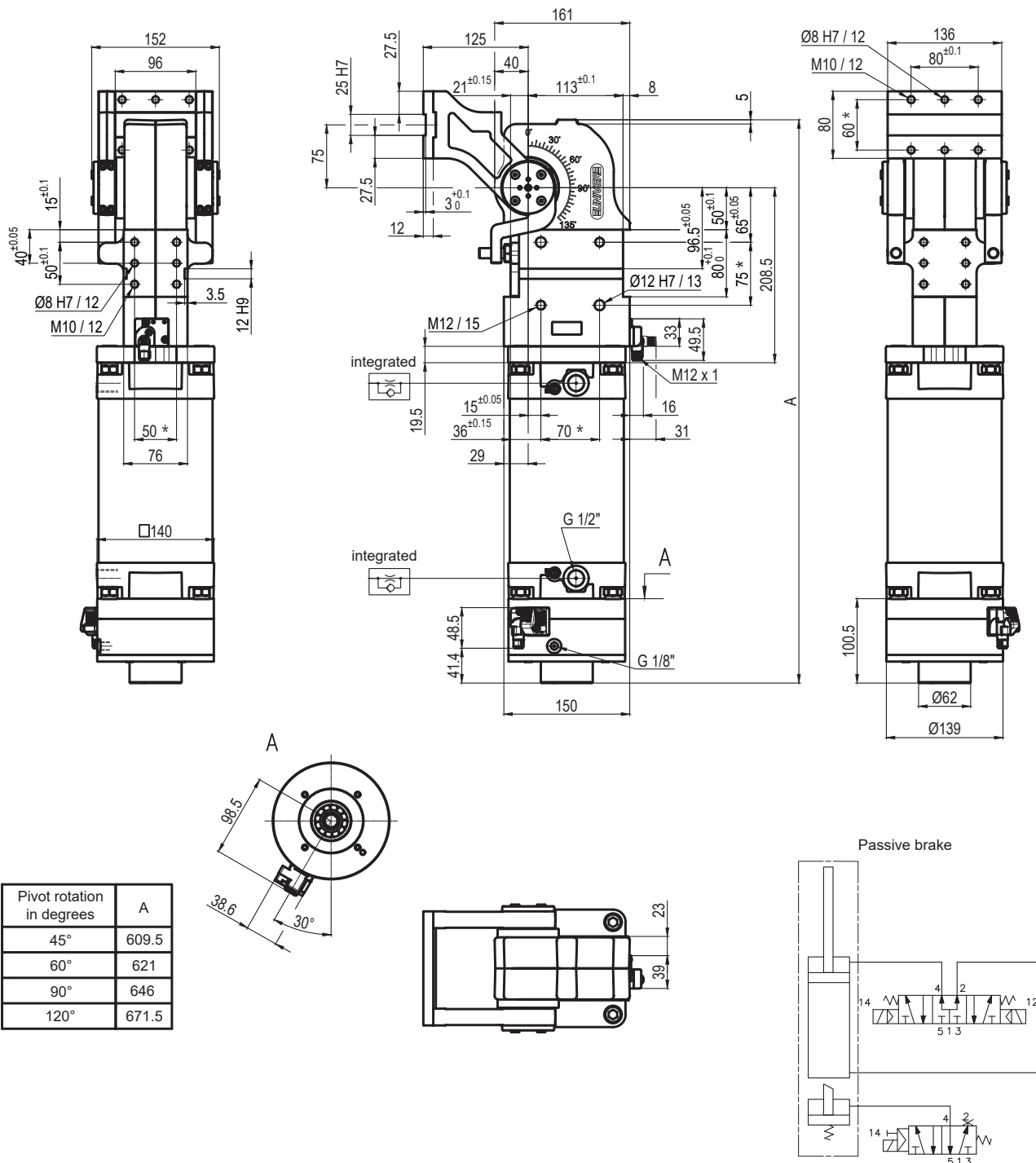
Size	Holding moment	Max. torque at the rotary table 0,55 MPa	Weight
170	4000 Nm	170 Nm	22,6 Kg

Min./Max. operating pressure: **0,4 / 0,6 MPa**  
 Operating temperature: **5° ÷ 45° C**  
 Predetermine pivot rotation in degrees: **45°- 60°- 90°- 120°**  
 Rotary table position: **Vertical mirror of V**  
 Electronic sensor with M12 swivel connector, from 0° or 90°, in steps of 10°  
 Supply voltage: 10 ÷ 30 Vdc  
 IP code: **IP 65**

\*: TOLERANCE BETWEEN DOWEL HOLES ± 0,02, BETWEEN SCREW HOLES ± 0,1

Subject to technical modifications without notice

## UAGP170ZA\_ \_ \_MS0



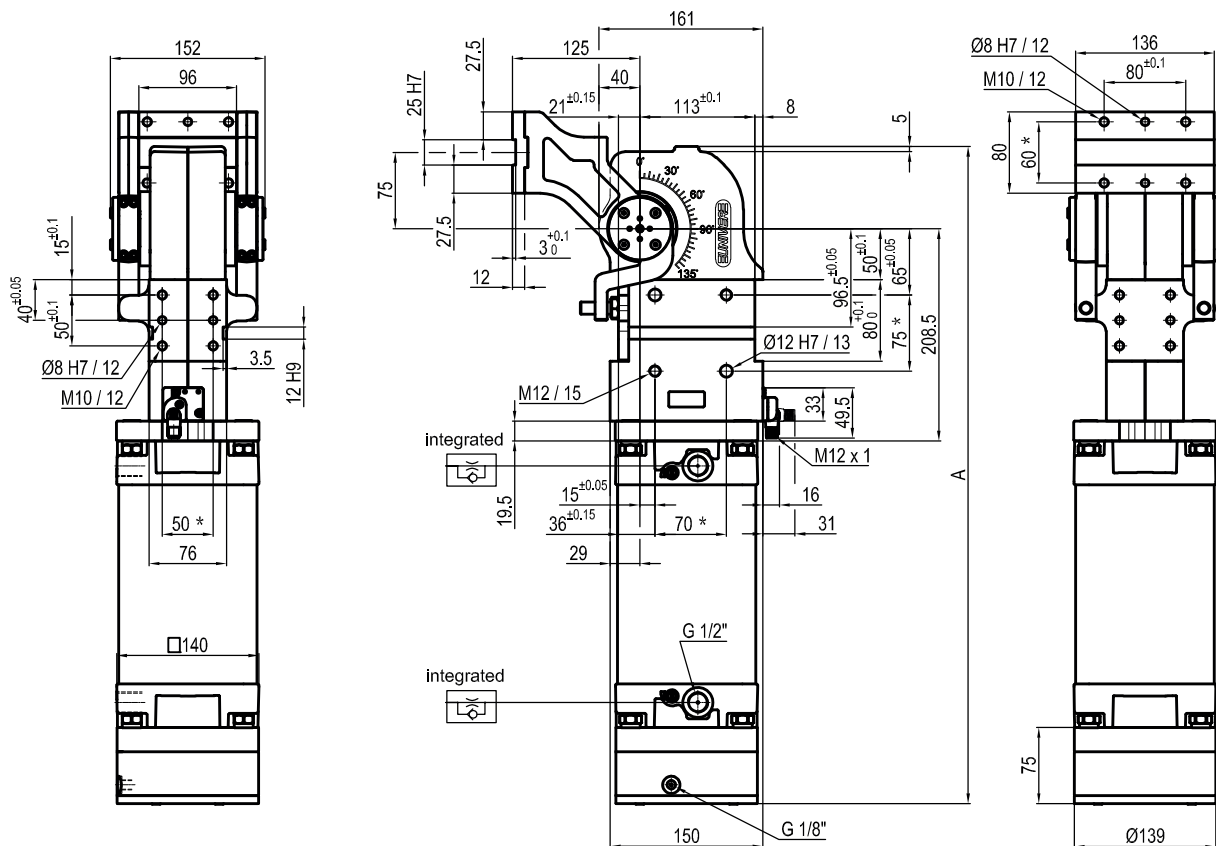
Size	Holding moment	Max. torque at the rotary table 0,55 MPa	Weight
170	4000 Nm	170 Nm	22,8 Kg

Min./Max. operating pressure: **0,4 / 0,6 MPa**  
 Operating temperature: **5° ÷ 45° C**  
 Predetermine pivot rotation in degrees: **45°- 60°- 90°- 120°**  
 Rotary table position: **Vertical mirror of V**  
 Electronic sensor with M12 swivel connector, from 0° or 90°, in steps of 10°  
 Supply voltage: 10 ÷ 30 Vdc  
 IP code: **IP 65**

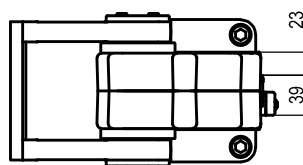
\*: TOLERANCE BETWEEN DOWEL HOLES ± 0,02, BETWEEN SCREW HOLES ± 0,1

Subject to technical modifications without notice

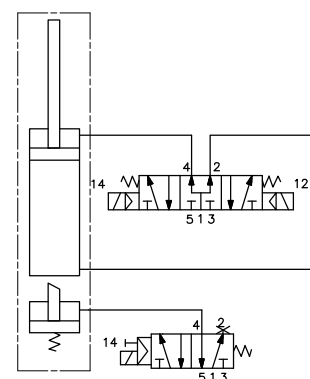
## UAGP170ZK\_\_BS0



Pivot rotation in degrees	A
45°	584
60°	595.5
90°	620.5
120°	646



Passive brake



Size	Holding moment	Max. torque at the rotary table 0,55 MPa	Weight
170	4000 Nm	170 Nm	22,6 Kg

Min./Max. operating pressure: **0,4 / 0,6 MPa**  
 Operating temperature: **5° ÷ 45° C**  
 Predetermine pivot rotation in degrees: **45°- 60°- 90°- 120°**  
 Rotary table position: **Vertical mirror of V**  
 Electronic sensor with M12 swivel connector, from 0° or 90°, in steps of 10°  
 Supply voltage: 10 ÷ 30 Vdc  
 IP code: **IP 65**

\*: TOLERANCE BETWEEN DOWEL HOLES ± 0,02, BETWEEN SCREW HOLES ± 0,1

Subject to technical modifications without notice