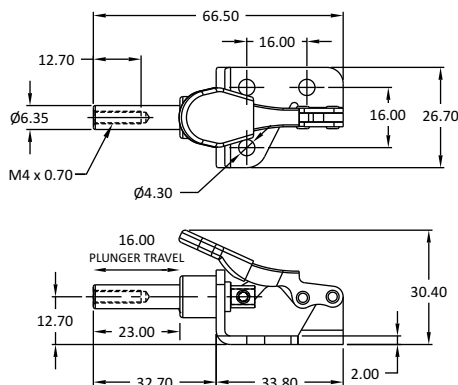


HTC - 601

Holding Capacity: 0.50 kN.
Weight: 0.040 Kgs.

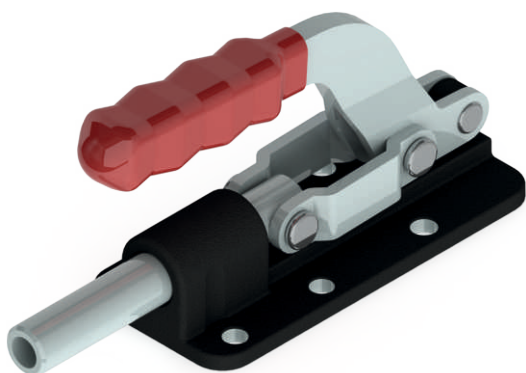


Model No. HTC - 601

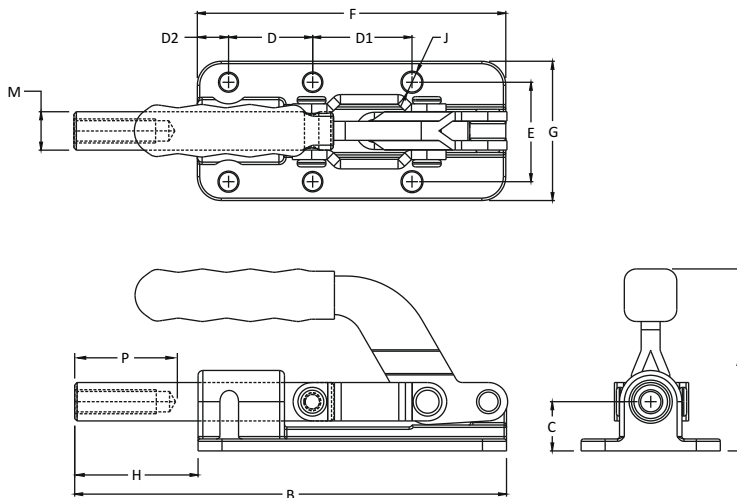


Also Available
in Stainless Steel
HTC - 601 - SS

HTC Series Clamps - LH Series

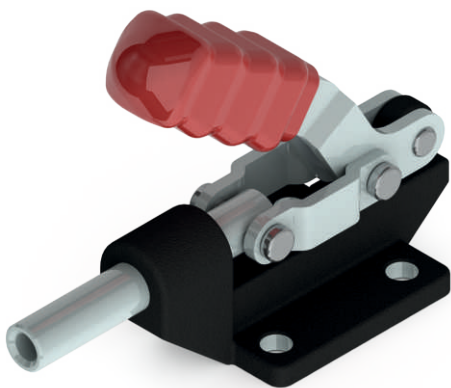


Model No. HTC - 630 - LH

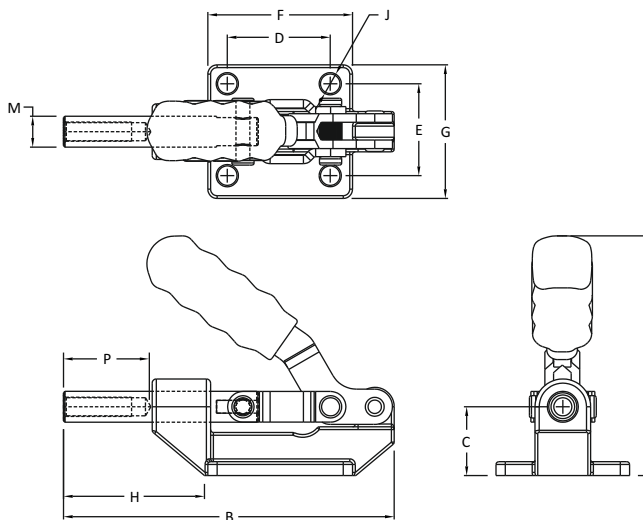


Model No.	Holding Capacity	Weight Kgs	Plunger Travel	Plunger Thread	Dimensions													
					A	B	C	D	D1	D2	E	F	G	H	J	M	P	
HTC - 607 - LH	5.90 kN	0.740	41.40	M8 x 1.25	91	153	17.5	35	41.4	16	41.4	108	56	45	7.0	12.7	25	
HTC - 630 - LH	7.80 kN	0.890	50.80	M10 x 1.50	82	179	20.5	35	41.4	13	41.4	128.5	58	51	8.5	15.7	32	

HTC Series Clamps - PS Series



Model No. HTC - 603 - PS



Model No.	Holding Capacity	Weight Kgs	Plunger Travel	Plunger Thread	Dimensions										
					A	B	C	D	E	F	G	H	J	M	P
HTC - 603 - PS	2.90 kN	0.380	31.75	M8 x 1.25	85.5	125	24.5	36.5	33	52.1	48	52	6.7	11	25
HTC - 608 - PS	3.90 kN	0.570	41.40	M10 x 1.50	106	153	32	41.4	41.4	57	57	76.8	8.5	15.7	32