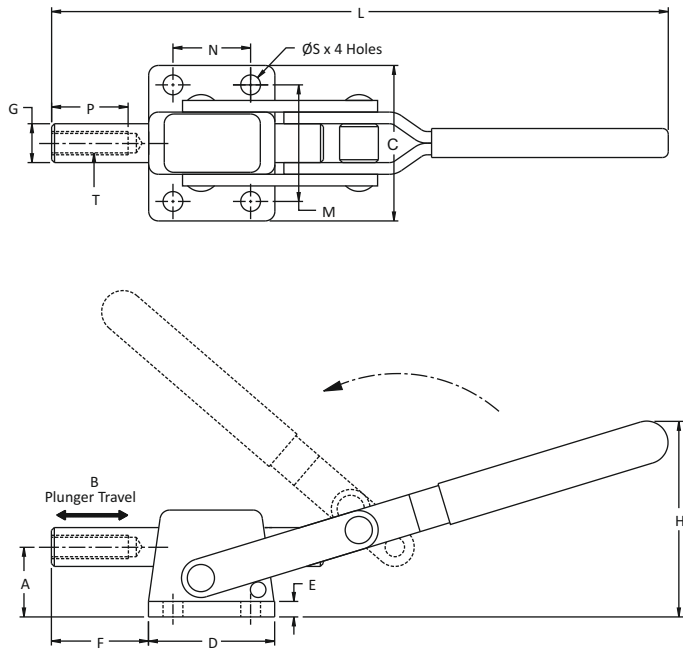


HTC - Series Clamps

Straight Line Action

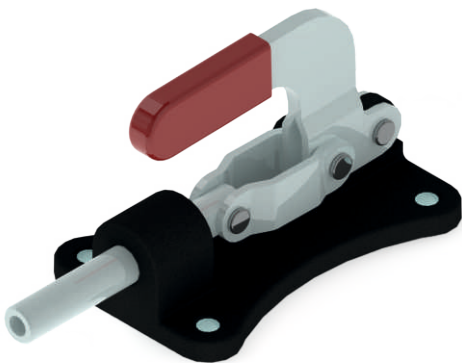


Model No. HTC - 3025

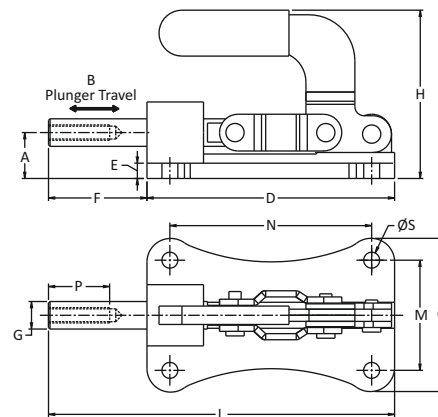


Model No.	A	Plunger Travel B	Mounting Base			F	Plunger Dia. G	H	L	Hole Depth P	Mounting Dimensions			Tapped Hole TØ	Holding Capacity	Wt. in Kgs
			C	D	E						M	N	ØS			
HTC-2326	23	23	54	28	6	23	9.5	58	168	20	42	16	5.5	M6 x 1.00	2.90 kN	0.400
HTC-3025	30	25	75	50	6	25	12	70	255	25	55	30	6.5	M 8 x 1.25	10.80 kN	0.870
HTC-3545	35	45	78	68	9	46	20	90	310	30	60	45	8.5	M 12 x 1.75	25.50 kN	1.750

Model No: HTC - 1530 LH



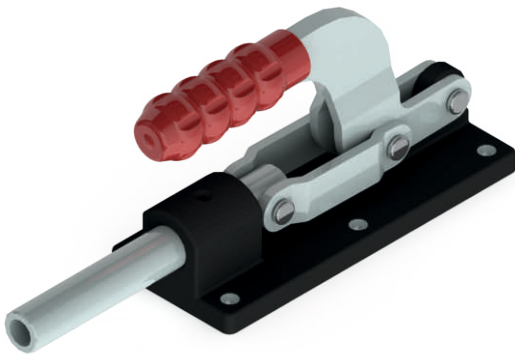
Model No. HTC - 1530-LH



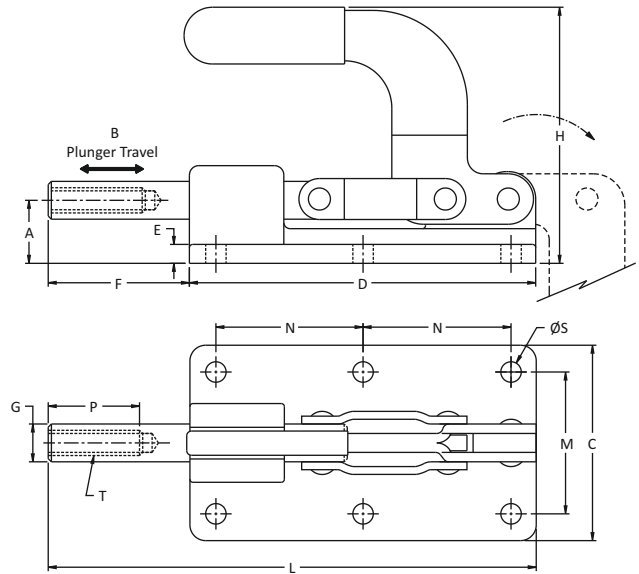
Model No.	A	Plunger Travel B	Mounting Base			F	Plunger Dia. G	H	L	Hole Depth P	Mounting Dimensions			Tapped Hole TØ	Holding Capacity	Wt. in Kgs
			C	D	E						M	N	ØS			
HTC-1530-LH	15	30	51	81	5	32	9	55	112	20	36	66	5.2	M 5 x 0.80	2.00 kN	0.400

HTC - Series Clamps - Low Height

Straight Line Action

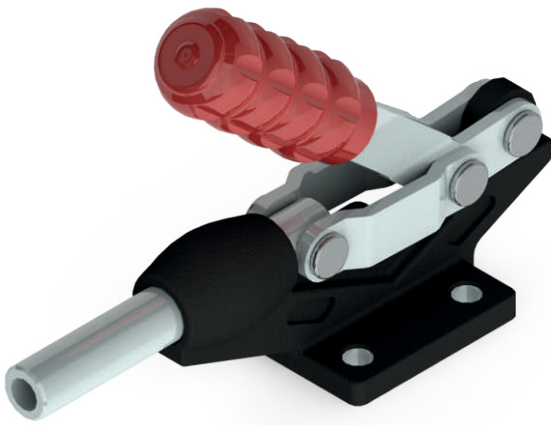


Model No. HTC - 35100 LH

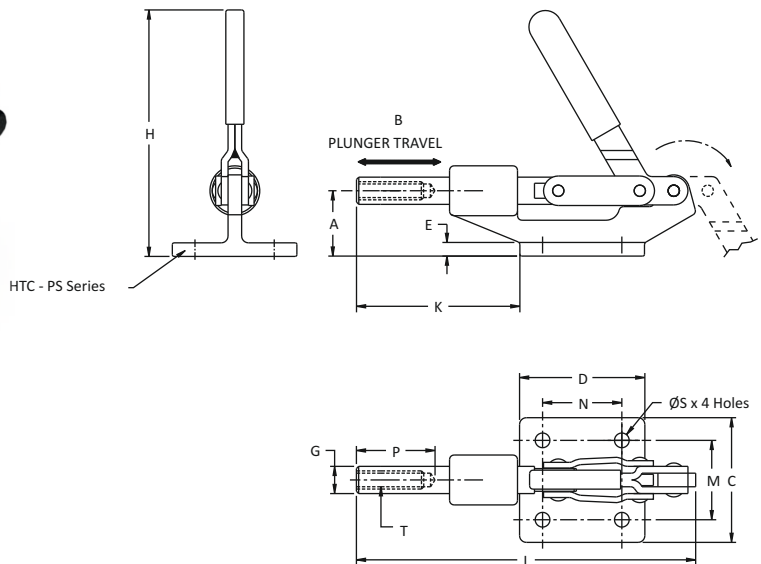


Model No.	A	Plunger Travel B	Mounting Base			F	Plunger Dia. G	H	L	Hole Depth P	Mounting Dimensions			Tapped Hole TØ	Holding Capacity	Wt. in Kgs
			C	D	E						M	N	ØS			
HTC-35100 LH	35	100	90	215	12.5	111	25	133	326	35	66	95	10.5	M 16 x 2.00	19.60 kN	3.600

HTC - Series Clamps - Package Size



Model No. HTC - 4560 PS



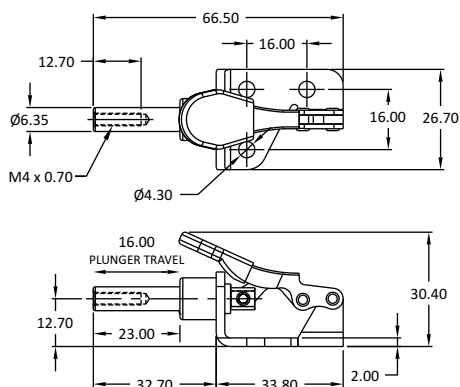
Model No.	A	Plunger Travel B	Mounting Base						Plunger Dia. G	H	K	L	Hole Depth P	Tapped Hole TØ	Holding Capacity	Wt. in Kgs
			C	D	E	M	N	SØ								
HTC-4560 PS	45	60	75	75	9	50	50	10.5	20	150	115	235	30	M 12 x 1.75	6.90 kN	1.750

HTC - 601

Holding Capacity: 0.50 kN.
Weight: 0.040 Kgs.

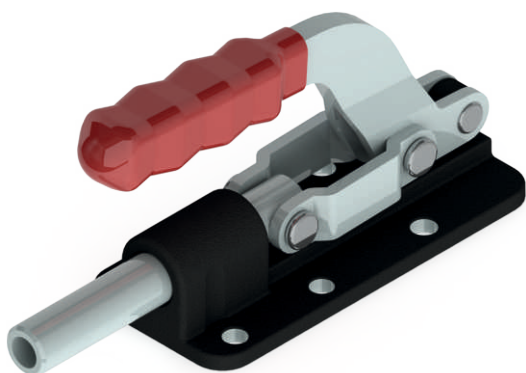


Model No. HTC - 601

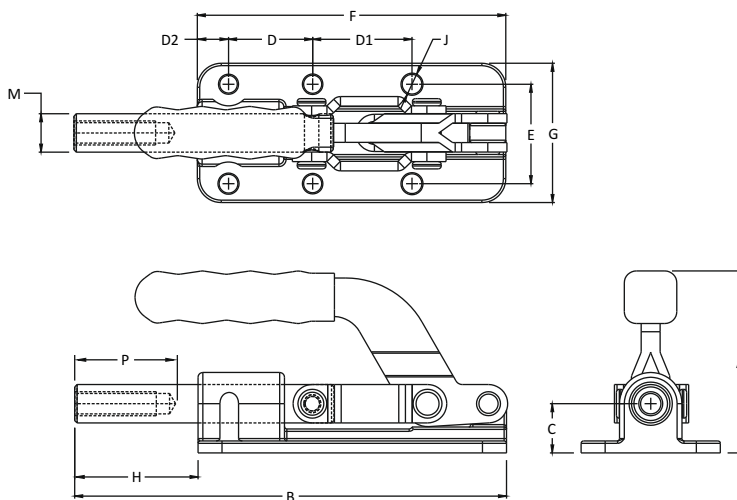


Also Available
in Stainless Steel
HTC - 601 - SS

HTC Series Clamps - LH Series

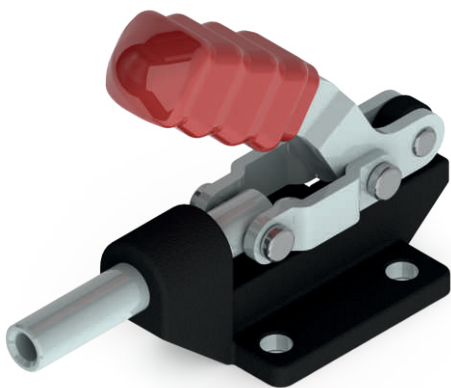


Model No. HTC - 630 - LH

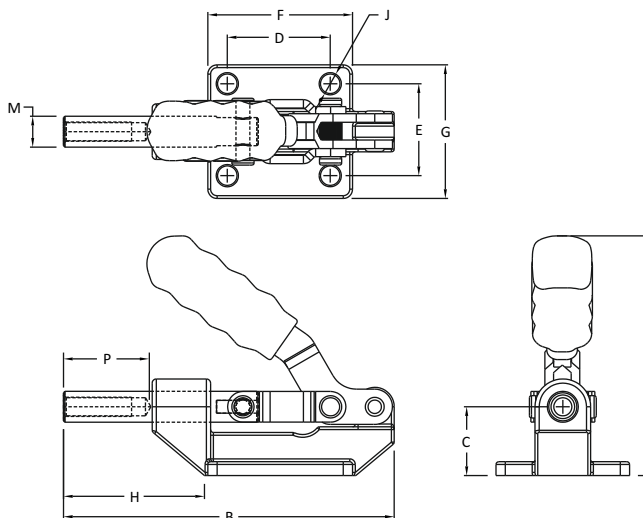


Model No.	Holding Capacity	Weight Kgs	Plunger Travel	Plunger Thread	Dimensions												
					A	B	C	D	D1	D2	E	F	G	H	J	M	P
HTC - 607 - LH	5.90 kN	0.740	41.40	M8 x 1.25	91	153	17.5	35	41.4	16	41.4	108	56	45	7.0	12.7	25
HTC - 630 - LH	7.80 kN	0.890	50.80	M10 x 1.50	82	179	20.5	35	41.4	13	41.4	128.5	58	51	8.5	15.7	32

HTC Series Clamps - PS Series



Model No. HTC - 603 - PS



Model No.	Holding Capacity	Weight Kgs	Plunger Travel	Plunger Thread	Dimensions										
					A	B	C	D	E	F	G	H	J	M	P
HTC - 603 - PS	2.90 kN	0.380	31.75	M8 x 1.25	85.5	125	24.5	36.5	33	52.1	48	52	6.7	11	25
HTC - 608 - PS	3.90 kN	0.570	41.40	M10 x 1.50	106	153	32	41.4	41.4	57	57	76.8	8.5	15.7	32