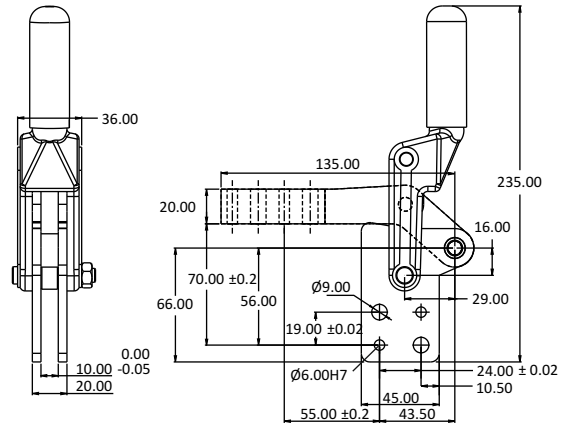
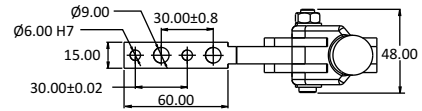


Horizontal Arm

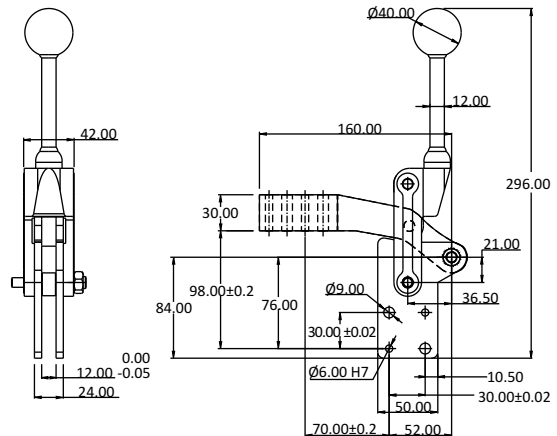
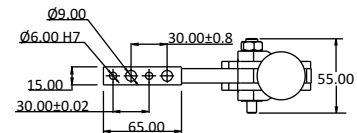
Model No: HV - 700 - H

Arm: Horizontal Clamping Arm
 Base: Straight with Dowel & Bolt Holes
 Weight: 1.200 Kgs.
 Nominal Holding Capacity: 6.90 kN
[Refer Next Page for Clamping Forces & Holding Capacity.](#)



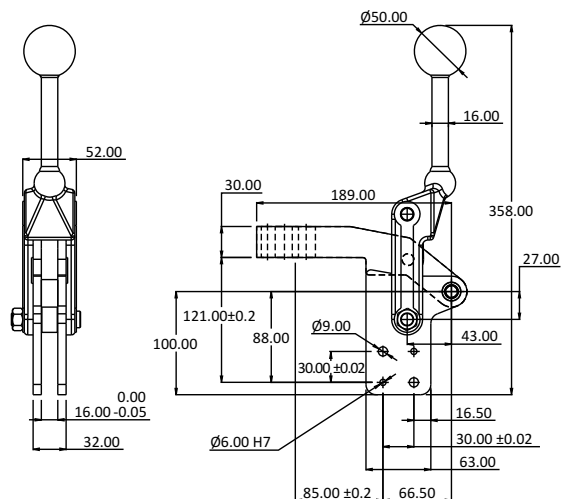
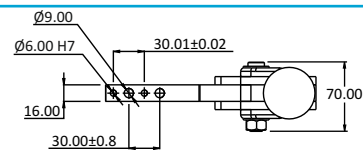
Model No: HV - 1200 - H - TM - TU

Arm: Horizontal Clamping Arm
 Base: Straight with Dowel & Bolt Holes
 Weight: 2.100 Kgs.
 Nominal Holding Capacity: 11.80 kN
[Refer Next Page for Clamping Forces & Holding Capacity.](#)



Model No: HV - 2400 - H - TM - TU

Arm: Horizontal Clamping Arm
 Base: Straight with Dowel & Bolt Holes
 Weight: 3.100 Kgs
 Nominal Holding Capacity: 23.50 kN
[Refer Next Page for Clamping Forces & Holding Capacity.](#)



Horizontal Arm

Clamping Force / Holding Capacity: Arm Lengths

The construction of the Automotive Clamps enables mounting of Clamping Arms/Adapters onto the clamp. There are limitations to the length and weight of the arm that can be mounted on the clamp. Longer the arm lesser the holding/clamping capacity. Refer the data below to for different capacities at different lengths.

Model No.	Maximum Permissible Arm Length	Maximum Permissible Weight of Clamping Arm
HV - 700 - H	200 mm	3 Kgs
HV - 1200 - H - TM - TU	300 mm	5 Kgs
HV - 2400 - H - TM - TU	400 mm	7 Kgs

